

Nel ringraziarVi per la preferenza accordata, la ditta STORTI è lieta di annoverarvi tra i suoi affezionati Clienti e confida che l'uso di questa macchina sia per Lei motivo di piena soddisfazione.

La Direzione

Sehr verehrter Geshäftsfreund! Sie haben sich für unser Fabrikat entschlossen. Die Firma STORTI dankt ihnen dafür und freut sich, Sie als Kunden begrüßen zu können. Gleichzeitig vertrauen wir derauf, daß diese Maschine bei ihnen zur vollen Zufriedenheit arbeiten wird.

Die Geschäftsleitung

STORTI agradece anticipadamente por su preferencia y les da el bienvenido entre sus clientes asiduos, seguro que quedará completamente satisfecho de las prestaciones de esta máquina.

La Direccion

Dear customer, thank you for marking purchase of a STORTI machine. We welcome you among our Clients of a long standing and are confident this product will give you many years of reliable use, to your entire satisfactions.

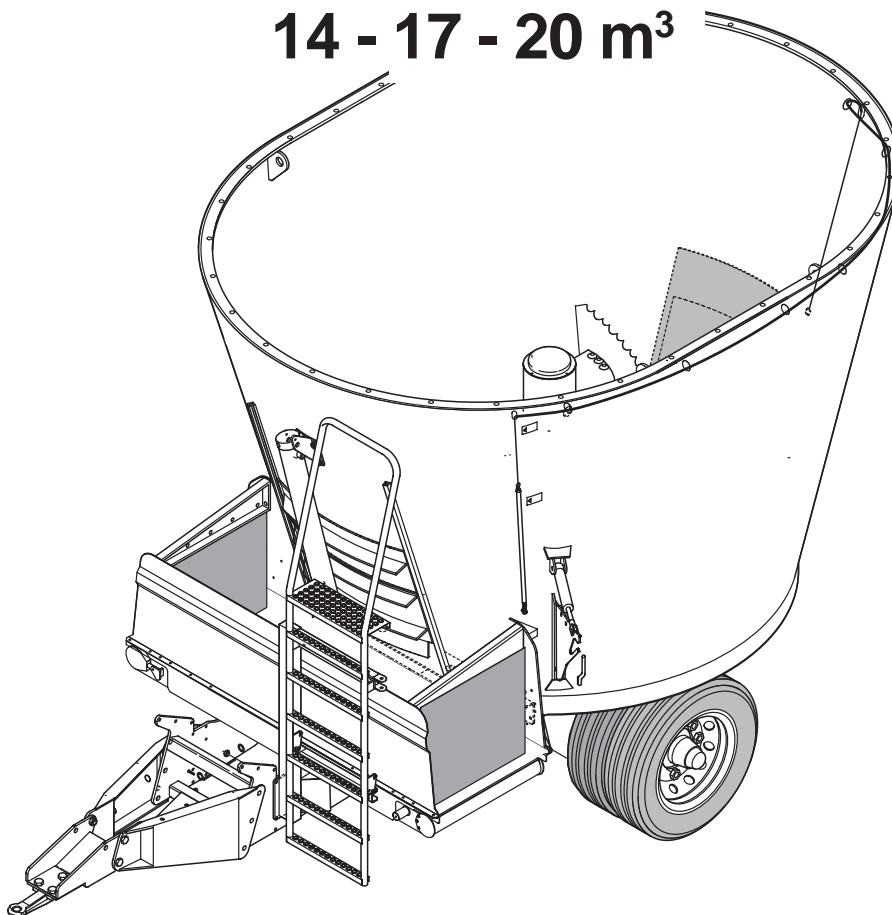
The Management

L'Etablissement STORTI vous remercie de lui avoir accordé votre préférence, est heureux de vous compter parmi ses Clients et espère que l'usage de cette machine vous procurera antière satisfaction.

La Direction

Dunker TV2

14 - 17 - 20 m³



STORTI INTERNATIONAL S.p.A.

Via Castelletto, 10 - 37050 BELFIORE (Vr) Italy - Tel. +39 045 6134311 - Fax +39 045 6149006

E-mail: info@storti.com - <http://www.storti.com>

CLICK HERE TO **DOWNLOAD** THE COMPLETE MANUAL

- Thank you very much for reading the preview of the manual.
- You can download the complete manual from: www.heydownloads.com by clicking the link below



- Please note: If there is no response to CLICKING the link, please download this PDF first and then click on it.

CLICK HERE TO **DOWNLOAD** THE COMPLETE MANUAL

N. Pos.	N. COD.	DESCRIZIONE	DESCRIPTION	BENENNUNG	DESCRIPTION	DESCRIPCION	NOTE NOTES
1	16100----	CASSONE VEDI SCHEMA	CASE TO SEE SCHEME	KASTEN	CAISSON VOIR SCHÉMA	CAJÓN MIRAR ESQUEMA	
2	16100766	PORTA DI CARICO	EXHAUST DOOR	TÜR	PORTE D'ECHAPPEM.	PUERTA DE DESCARGA	
2A	16101116	PORTA DI CARICO LATERALE	EXHAUST DOOR	TÜR	PORTE D'ECHAPPEM.	PUERTA DE DESCARGA	14m ³
3	116121506	ATTACCO SUP. CILINDRO	JOINT	LAGER	JOINT	SOPORTE	
4	90000123	VITE T.E	SCREW	SCHRAUBE	VIS	TORNILLO	M14X40
5	90716008	RONDELLA PIANA	WASHER	SCHEIBE	RONDELLE PLATE	ARANDELA	Ø14 ZN
6	90808008	DADO AUTOBLOCCANTE	SELF-LOCKING NUT	STOPMUTTER	ECROU DE SURETE	TUERCA AUTOB.	M14 ZN
7	90007308	VITE T.E	SCREW	SCHRAUBE	VIS	TORNILLO	M16X110
8	90808009	DADO AUTOBLOCCANTE	SELF-LOCKING NUT	STOPMUTTER	ECROU DE SURETE	TUERCA AUTOB.	M16 ZN
9	90000153	VITE T.E	SCREW	SCHRAUBE	VIS	TORNILLO	M16X80

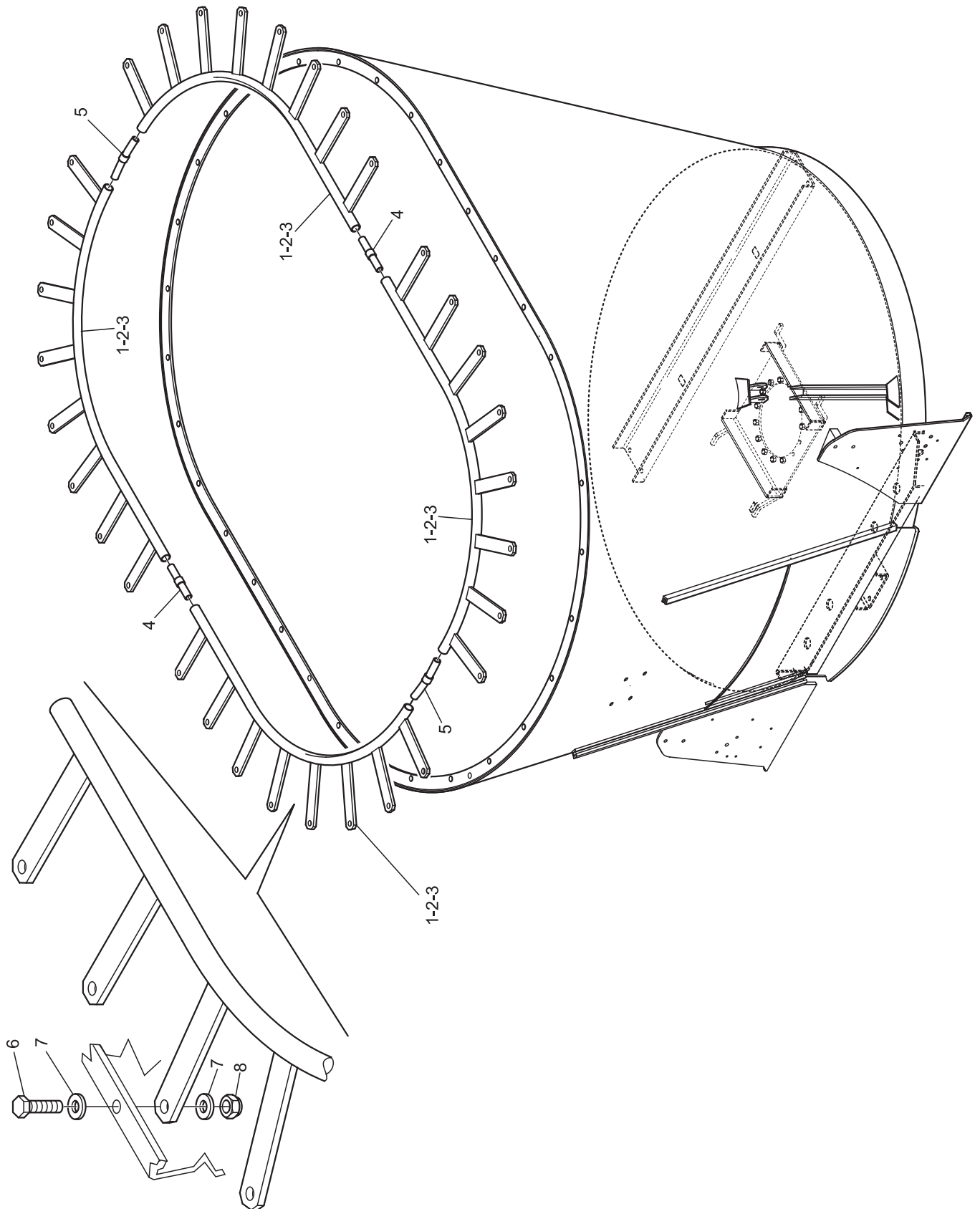
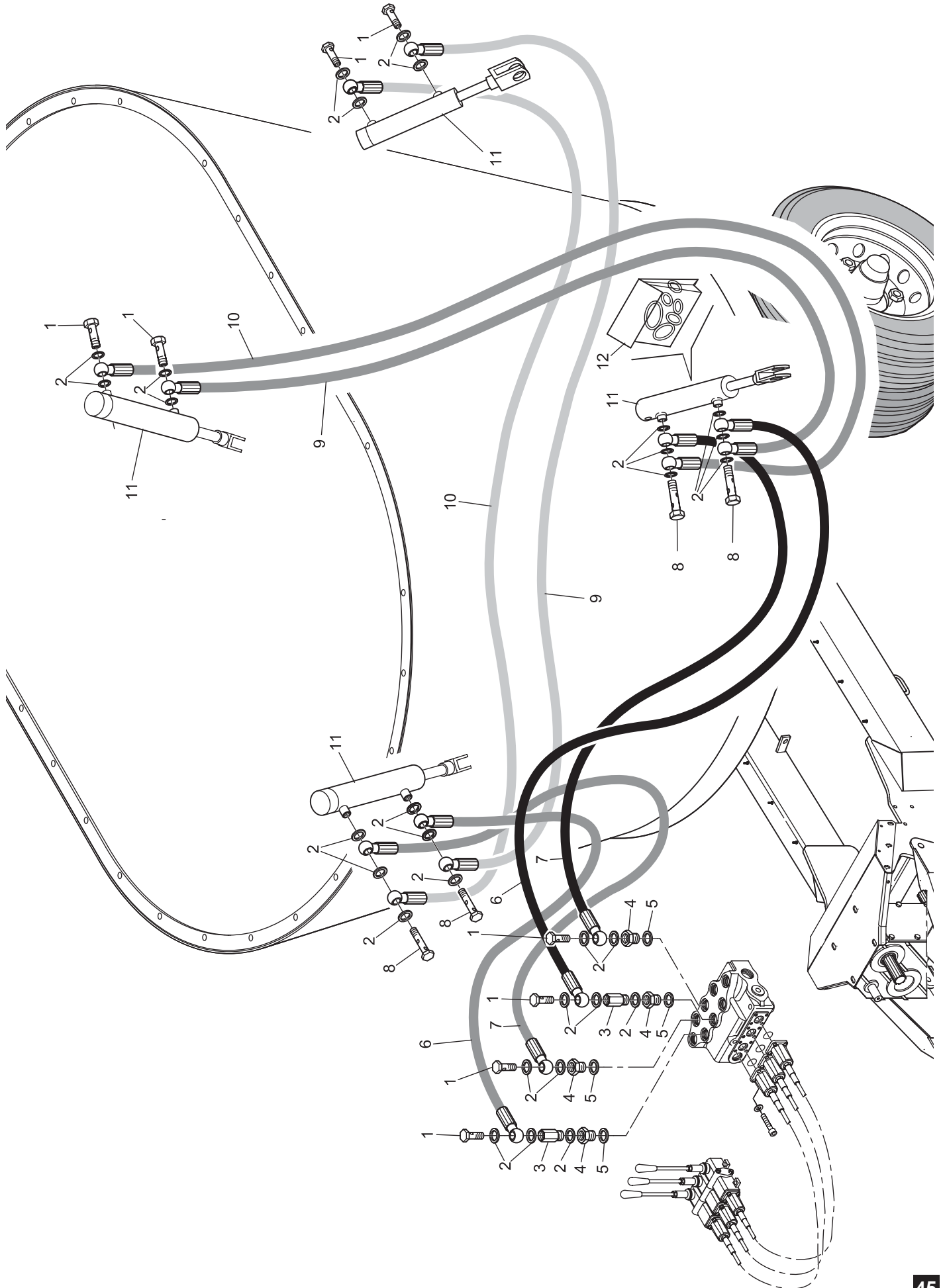


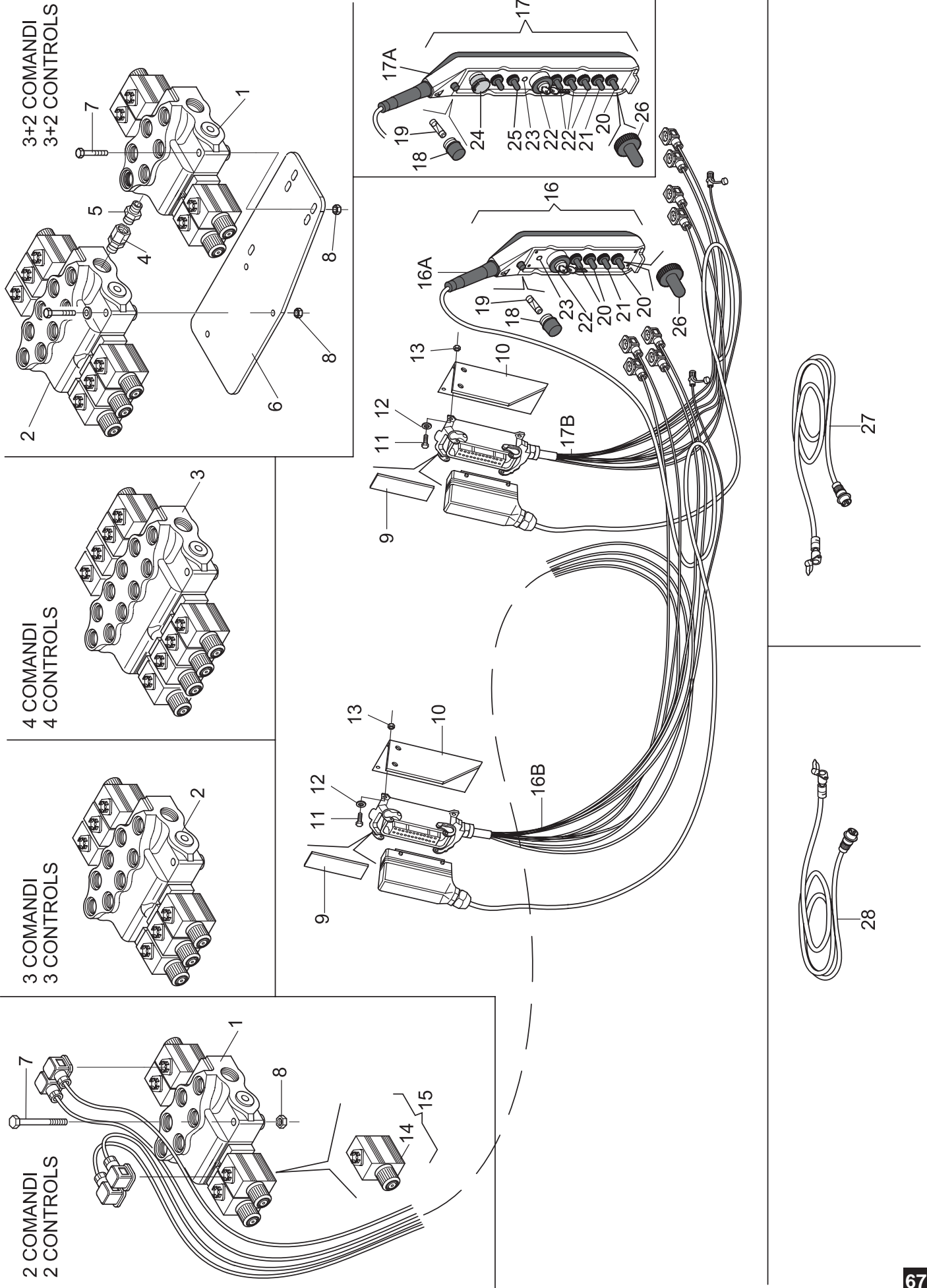
FIG. 13
ABB.**Ed.06.07****IMPIANTO IDRAULICO SCARICO 14m³**
HYDRAULIC CIRCUIT UNLOAD ON 14m³
HYDRAULISCHE ANLAGE AUSTRAGUNG 14m³
INSTALLATION HYDR. DÉCHARGEMT 14m³
INSTALO HIDRÁULICO DESCARGUE 14m³*Dunker TV2*

N. Pos.	N. COD.	DESCRIZIONE	DESCRIPTION	BENENNUNG	DESCRIPTION	DESCRIPCION	NOTE NOTES
1	61003063	CILINDRO	CYLINDER	ZYLINDER	CYLINDRE	CILINDRO	Øe 50x750
2	93124001	RONDELLA RAME	WASHER	SCHEIBE	RONDELLE	ARANDELA	Ø 1/4" GAS
3	93100001	VITE FORATA	DRILLED SCREW	LÖCHERSCHRAUBE	VIS PERFOREE	TORNILLO PERFORADO	Ø1/4" GAS
4	16600121	TUBO	PIPE	RHOR	TUYAU	TUBO	Ø 1/4" GAS L=3750
4A	16600212	TUBO	PIPE	RHOR	TUYAU	TUBO	Ø 1/4" GAS L=6500
5	93101001	NIPPLO CONGIUNZIONE	UNION	ANSCHLUSS	RACCORD	BOQUILLA	Ø1/4" GAS
6	93138002	RUBINETTO 2 VIE	COCK	ABSPERRHAHN	ROBINET	GRIFO	500 ATM 1/4" GAS
7	93110000	COLONNETTA LUNGA	COLUMN	BOLZEN	COLONNE	COLUMNA	M/F 1/4" GAS
8	93105015	NIPPLO RIDUZIONE	REDUCTION	REDUKTION	REDUCTION	BOQUILLA	M/F 18x1,5 - 1/4" GAS
9	93124016	RONDELLA RAME	WASHER	SCHEIBE	RONDELLE	ARANDELA	Ø 18x24
10	93102010	NIPPLO RIDUZIONE	REDUCTION	REDUKTION	REDUCTION	BOQUILLA	1/2" - 18x1 GAS/METRICO
11	16612115	TUBO	PIPE	RHOR	TUYAU	TUBO	Ø 1/2" GAS L=2500
12	93124003	RONDELLA RAME	WASHER	SCHEIBE	RONDELLE	ARANDELA	Ø 1/2" GAS
13	93160040	VALVOLA UNIDIREZIONALE	CHECK VALVE	RÜCKSCHLAGVENTIL	SOUPAPE DE RETENUE	VÁLVULA / DE RETENCIÓN	1/2" GAS
14	93101003	NIPPLO CONGIUNZIONE	UNION	ANSCHLUSS	RACCORD	BOQUILLA	Ø1/2" GAS
15	98400448	MANICHETTA ERREFLAT	SHEATH	SCHLAUCH	GAINÉ	VAINA	
16	93106006	INNESTO RAPIDO	UNION	ANSCHLUSS	RACCORD	BOQUILLA	
17	16122308VS	PROTEZIONE DISTRIBUTORI	PROTECTION	SCHUTZ	PROTECTION	PROTECCIÓN	
18	16122309VS	SUPPORTO TUBI	SUPPORT	HALTER	SUPPORT	SOPORTE	
19	90007051	VITE T.E.	SCREW	SCHRAUBE	VIS	TORNILLO	M 8X16 ZN
20	65000569	KIT GUARNIZIONI CILINDRO	SEAL KIT	DICHTUNG KIT	KIT GARNITURE	KIT GUARNICIONES	



TRAMOGGIA SUPPLEMENTARE G9
ADDITIONAL HOPPER G9
ZUSÄTZLICHES MUHLTRICHTER G9
TRÉMIE SUPPLÉMENTAIRE G69
EXTENSIÓN DESCARGA SUPLEMENTARIO G9

N. Pos.	N. COD.	DESCRIZIONE	DESCRIPTION	BENENNUNG	DESCRIPTION	DESCRIPCION	NOTE NOTES
1	16700181	TAPPETO PVC	PVC CARPET	PVC ITEPPICH	TAPIS EN PVC	TAPETE PVC	G9
2	16140524AR	FIANCATE TELAIO TAPPETO	CARPET FRAME SIDE	TEPPICH RAHMEN WANGE	CÔTÉ CHASSIS TAPIS	COSTADOS POR TAPETE	G9
3	16340008	TUBO INTERNO TRAMOGGIA	PIPE	ROHR	TUYAU	TUBO	
4	90007127	VITE T.E	SCREW	SCHRAUBE	VIS	TORNILLO	M 14X60 ZN
5	90115547	VITE T.S.P.E.I.	SCREW	SCHRAUBE	VIS	TORNILLO	M 10X25 ZN
6	90102281	VITE T.C.E.I.	SCREW	SCHRAUBE	VIS	TORNILLO	M 10X25 ZN
7	90102263	VITE T.C.E.I.	SCREW	SCHRAUBE	VIS	TORNILLO	M 8X30 ZN
8	16530025	FLANGIA RULLO POSTERIORE	FLANGE	FLANSCH	FLASQUE	FLANGE	
9	16140403	RULLO TAPPETO LATO POST.	REAR ROLLER	HINTENROLLE	ROULEAUARRIER	RODILLO	
10	92003254	CUSCINETTO	BEARING	LAGER	COUSSINET	COJINETE	6012
11	91851085	PARAOLIO	OIL SEAL	DICHTRING	BAGUE ETANCHEITE	GUARDAGATOS	Ø 75X95X10
12	16530026	FLANGIA ATTACCO MOTORE	FLANGE	FLANSCH	FLASQUE	FLANGE	
13	16140449	DISTANZIALE RULLO POST.	SPACER	DISTANZSTÜCK	ENTRETOISE	SEPARADOR	
14	67000008	MOTORE	ENGINE	MOTOR	MOTEUR	MOTOR	BG80
14A	67000007	MOTORE	ENGINE	MOTOR	MOTEUR	MOTOR	BG100 OPTIONALBG80
15	90102283	VITE T.C.E.I.	SCREW	SCHRAUBE	VIS	TORNILLO	M10X35 ZN
16	16140448	RASCHIATORE RULLO POST.	REAR ROLLER	HINTENROLLE	ROULEAUARRIER	PALARASCADORA	
17	16140407AR	TELAIO TAPPETO	CARPET FRAME	TEPPICH RAHMEN	CHASSIS TAPIS	BASTIDOR BANDA	G9
18	10000281	MOLLA	SPRING	FEDER	RESSORT	MUELLE	
19	16350017	GUIDA MOLLA	SPRING GUIDE	FÜHRUNGSFEDER	GUIDE RESSORT	CONDUCE MUELLE	
20	90007076	VITE T.E	SCREW	SCHRAUBE	VIS	TORNILLO	M10X25 ZN
21	16140412	DISTANZIALE RULLO ANT.	SPACER	DISTANZSTÜCK	ENTRETOISE	SEPARADOR	
22	16140410	FLANGIA RULLO ANTERIORE	FLANGE	FLANSCH	FLASQUE	FLANGE	
23	90007300	VITE T.E	SCREW	SCHRAUBE	VIS	TORNILLO	M10X70 ZN
24	16140404	RULLO TAPPETO LATO ANT.	FRONT ROLLER	VORNE ROLLE	ROULEAU ANTÉRIEUR	RODILLO	
25	16140411	SUPPORTO RULLO ANTERIORE	FRONT ROLLER SUPPORT	VORNE ROLLEHALTER	SUPPORT ROULEAU ANT.	SOPORTE	
26	16140408	RASCHIATORE ANTERIORE	FRONT SCRAPER	KRATZER	RACLEUR ANTÉRIEUR	PALARASCADORA	
27	90716005	RONDELLA PIANA	WASHER	SCHEIBE	RONDELLE	ARANDELA	Ø 8
28	90007051	VITE T.E	SCREW	SCHRAUBE	VIS	TORNILLO	M 8X16 ZN
29	90716006	RONDELLA PIANA	WASHER	SCHEIBE	RONDELLE	ARANDELA	Ø 10 ZN
30	98400557	PARASPIFFERIADESIVO BIANCO	AIR PROTECTION	SCHUTZLUFT	PROTECTION AIR	PROTECCIÓN AIRE	
31	61003006G9	GR. TAPPETO SENZA MOTORE	CARPET WITHOUT ENGINE	TEPPICH GR.OHNE MOTOR	GR. TAPIS SANS MOTEUR	GRUPO TAPETE SIN MOTOR	G9



CLICK HERE TO **DOWNLOAD** THE COMPLETE MANUAL

- Thank you very much for reading the preview of the manual.
- You can download the complete manual from: www.heydownloads.com by clicking the link below



- Please note: If there is no response to CLICKING the link, please download this PDF first and then click on it.

CLICK HERE TO **DOWNLOAD** THE COMPLETE MANUAL