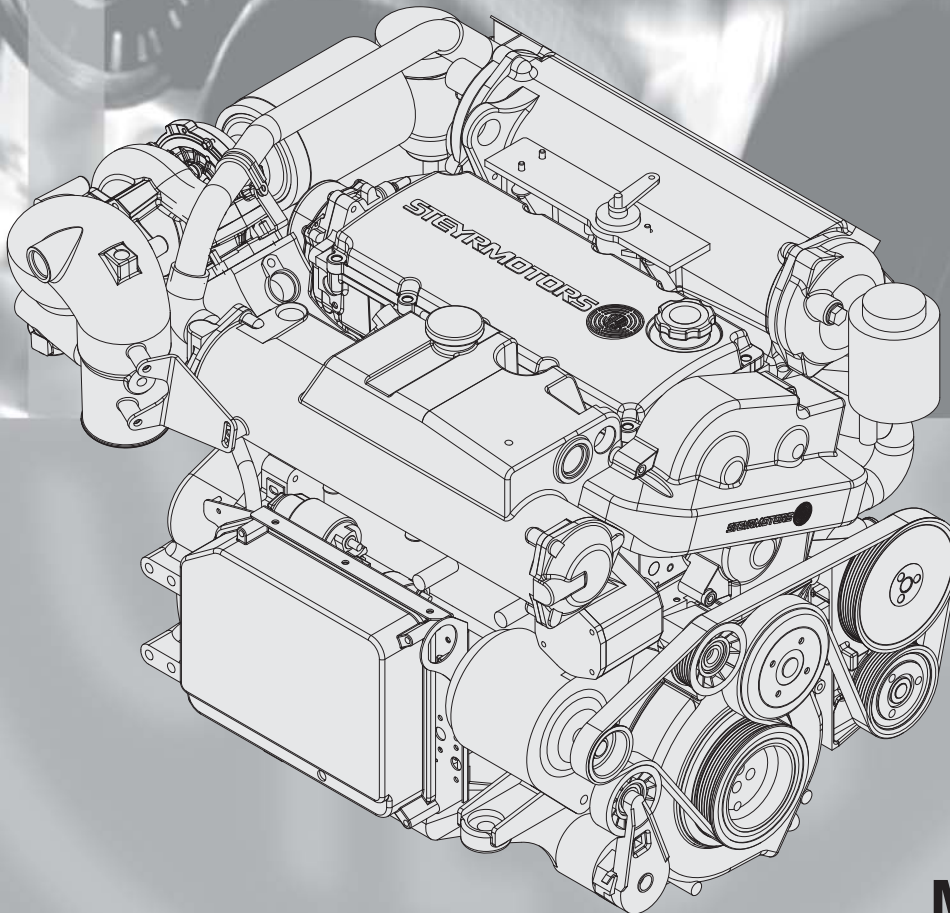




STEYR MARINE ENGINES

174 MARINE
TURBO DIESEL
+ SOLAS



MO174V40

Serial no.: 48229 0001 -->

SPARE PARTS CATALOGUE

P/N Z001011-1 3rd Edition, May 2014

TEL ++43 / 7252 / 222 / 20

FAX ++43 / 7252 / 222 / 29

@ e.sales@steyr-motors.com

CLICK HERE TO **DOWNLOAD** THE COMPLETE MANUAL

- Thank you very much for reading the preview of the manual.
- You can download the complete manual from: www.heydownloads.com by clicking the link below



- Please note: If there is no response to CLICKING the link, please download this PDF first and then click on it.

CLICK HERE TO **DOWNLOAD** THE COMPLETE MANUAL



INTERCOOLER	174 MARINE TURBO DIESEL + SOLAS
--------------------	---

01084084-1

Pos.	Part.-No.	Qty	Designation	Step
10	2203706-9	1	INTAKE MANIFOLD, PAINTED —>482330249	.2
15	Z024015-0	1	INTAKE MANIFOLD, PAINTED 482330250—>	.2
20	2177593-1	1	INTERCOOLER	.2
30	2178483-0	4	O-RING 120,24 x 3,53	.2
40	2178415-8	1	COVER INTERCOOLER REAR, PAINTED	.2
50	9000064-0	6	HEX.SOCK. HD.CAP SCR. ISO 4762-M8x35-8.8-A3C	.2
60	3930261-0	6	WASHER ISO 7089-A8.4-140HV-A3C	.2
70	2174270-0	1	SPACER, INTERCOOLER	.2
80	2174261-9	1	COVER INTERCOOLER FRONT, PAINTED	.2
90	2178412-1	2	PLUG M18x1.5	.2
100	2178413-1	2	ZINC ANODE	.2
110	3098020-0	2	SEALING RING DIN 7603-A18x22-CU	.2
120	3802411-0	2	HEX.HD.SCR. ISO 4017-M8x16 A4-70	.2
130	3098009-0	4	SEALING RING DIN 7603-A8x14-CU	.2
140	11869	1	HOLLOW SCREW M8x1 DIN 7643-4-3-A3C	.2
160	2203796-0	1	BANJO NUT DM8	.2
170	2203665-1	1	HOSE	.2
190	2178893-0	1	HOSE CLAMP 8-12-7,5	.2
200	3862447-0	4	HEX.SOCK. HD.CAP SCR. ISO 4762-M8x45-8.8-A2C	.2
210	9000312-0	4	HEX.SOCK. HD.CAP SCR. ISO 4762-M8x120-8.8-A2C	.2
220	3930261-0	8	WASHER ISO 7089-A8.4-140HV-A3C	.2
230	2203830-2	1	CHARGE AIR HOSE	.2
240	2179050-0	2	HOSE CLAMP WITH SPRING 40-60/9	.2
250	2203789-4	1	SHACKLE	.2
255	9000063-0	4	HEX.SOCK. HD.CAP SCR. ISO 4762-M8x20-A2-70	.2
260	9000271-0	1	HEX.FLANGE BOLT EN 1665-M8x25-10.9-DAC	.2
270	3800233-0	2	HEX.HD.SCR. ISO 4017-M6x16-A2-70	.2
280	3930070-0	2	WASHER ISO 7089-6-140HV-A2	.2
290	2203789-2	1	SHACKLE 48222010—>	.2
300	2178968-0	1	GROUND WIRE	.2



CLICK HERE TO **DOWNLOAD** THE COMPLETE MANUAL

- Thank you very much for reading the preview of the manual.
- You can download the complete manual from: www.heydownloads.com by clicking the link below



- Please note: If there is no response to CLICKING the link, please download this PDF first and then click on it.

CLICK HERE TO **DOWNLOAD** THE COMPLETE MANUAL



**DRIVE SHAFT EXT. MERCURY STERNDRIVE
(ACCESSORY)**

174 MARINE
TURBO DIESEL
+ SOLAS

07306184-0

Pos.	Part.-No.	Qty	Designation	Step
4	Z002116-0	1	ADAPTER SHAFT ASSY. - MERCURY W.LENGTH BALANCE (PAINTED)	.2
6	Z002117-0	1	ADAPTER HOUSING - PAINTED (ALUCASTING)	..3
8	2179328-0	1	BEARING RETAINER	..3
10	3311181-0	2	DEEP GROOVE BALL BEARING DIN 625-RS1	..3
12	3963112-0	1	LUBRICATING NIPPLE, CONE DIN 71412-AM8x1-A3F	..3
14	2178814-2	1	ADAPTER SHAFT (MERCURY)	..3
16	3933251-0	1	RETAINING RING SHAFT DIN 471-35x1,5	..3
18	3802442-0	2	HEX.HD.SCR. ISO 4017-M8x40-8.8-A2C	..3
20	O125134-0	2	WASHER LARGE	..3
22	2179273-0	4	COVER PLATE	.2
24	9000305-0	6	HEX.FLANGE BOLT EN 1665-M8x20-10.9-DAC	.2
30	Z002118-0	1	BEARING BLOCK DRIVE SH. MERC. ASSY. (PAINTED)	.2
32	Z002119-0	1	BEARING BLOCK DRIVE SH. MERC. (PAINTED)	..3
34	9000486-0	2	DEEP GROOVE BALL BEARING DIN 625-6209 2RS1	..3
36	2179271-0	1	DISTANCE PLATE	..3
38	9000403-0	1	RETAINING RING BORE DIN 472-85x3	..3
40	Z002120-0	1	SHAFT-FLANGE DRIVE SHAFT MERC.	..3
42	3933350-0	1	RETAINING RING SHAFT DIN 471-45x1.75-BLANK	..3
44	3963112-0	1	LUBRICATING NIPPLE, CONE DIN 71412-AM8x1-A3F	..3
46	2179274-0	4	WASHER SPHERIC	.2
48	3802515-0	8	HEX.HD.SCR. ISO 4017-M10x20-8.8-A3C	.2
50	9000052-0	8	HEX.FLANGE NUT,PREVG.TOR. DIN 6927-M10-8-DAC A500	.2
51	Z002079-0	1	DRIVE SHAFT L=432mm & SCREWS	.2
52	Z002080-0	1	DRIVE SHAFT L=1000mm & SCREWS	.2
53	Z002081-0	1	DRIVE SHAFT L=1500mm & SCREWS	.2
54	9000066-0	8	HEX.HD.BOLT ISO 4017-M10x35-12.9	..3
56	9000052-0	8	HEX.FLANGE NUT,PREVG.TOR. DIN 6927-M10-8-DAC A500	..3
58	2179352-0	1	EXTENSION CABLE - TRIMSSENSOR 1,5m	.2
60	2179353-0	1	GROUND WIRE FLYW.HSG-TRANSOM 1,8m	.2



CLICK HERE TO **DOWNLOAD** THE COMPLETE MANUAL

- Thank you very much for reading the preview of the manual.
- You can download the complete manual from: www.heydownloads.com by clicking the link below



- Please note: If there is no response to CLICKING the link, please download this PDF first and then click on it.

CLICK HERE TO **DOWNLOAD** THE COMPLETE MANUAL