

235739

BARASA PRODUCTS, INC.

SS-836 PARTS BOOK
DATE 10-10-87

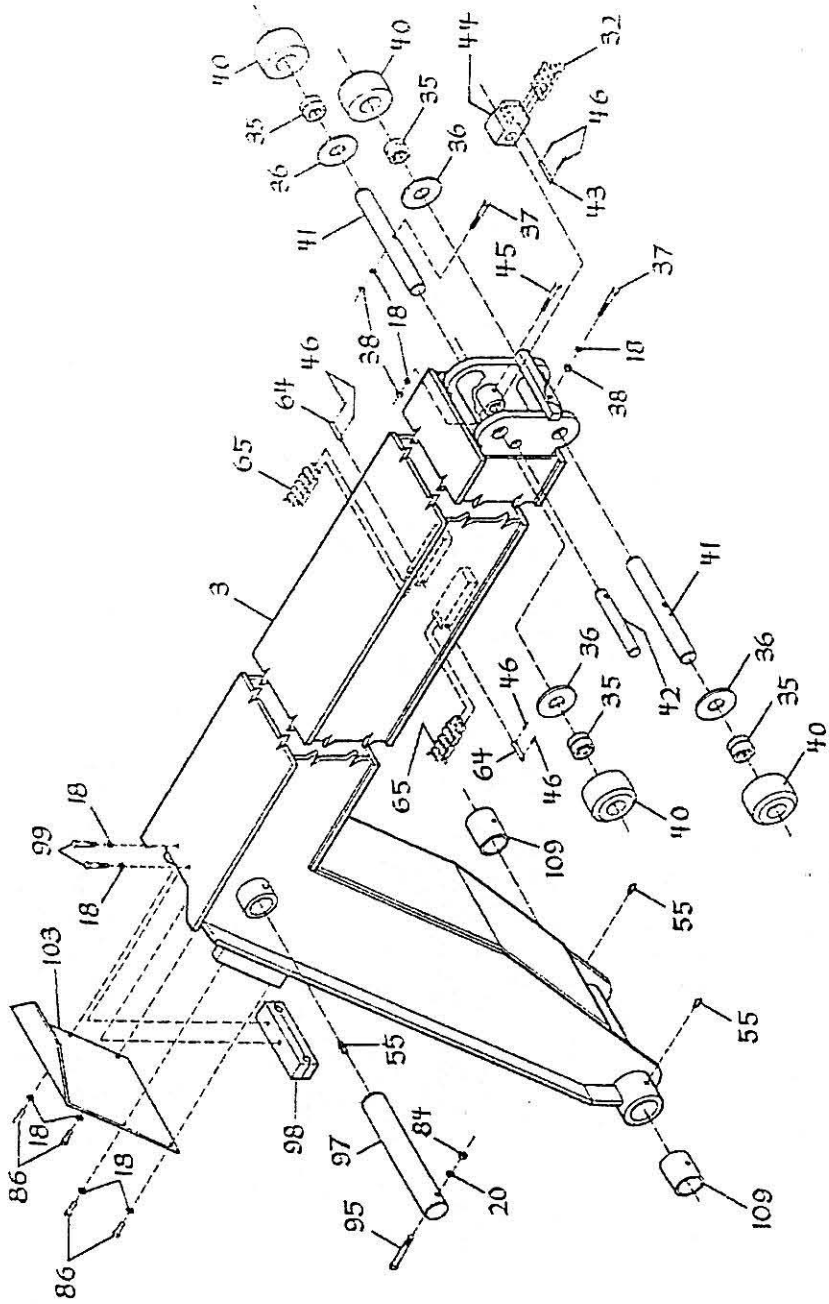
CLICK HERE TO **DOWNLOAD** THE COMPLETE MANUAL

- Thank you very much for reading the preview of the manual.
- You can download the complete manual from: www.heydownloads.com by clicking the link below



- Please note: If there is no response to CLICKING the link, please download this PDF first and then click on it.

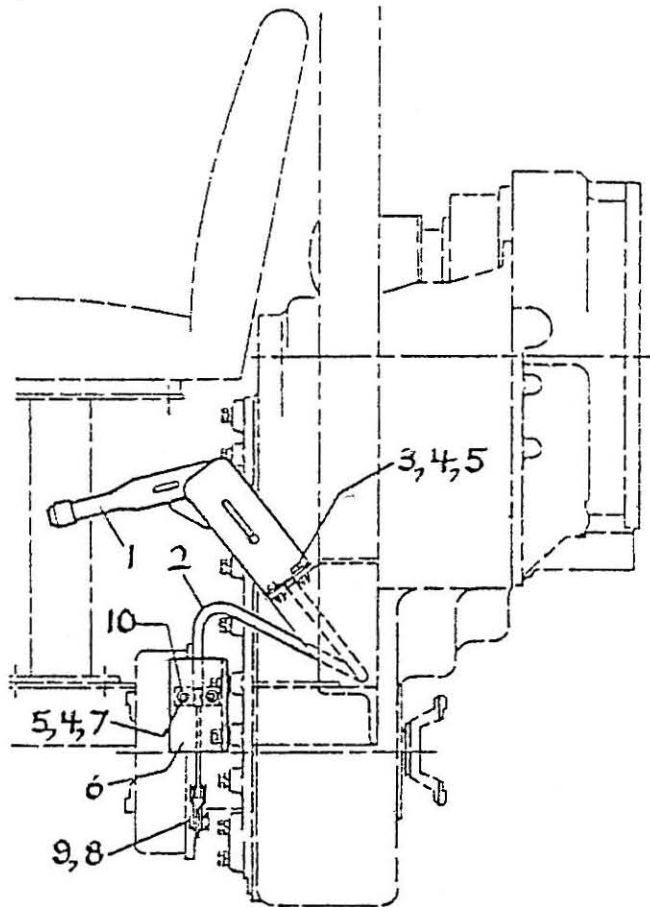
CLICK HERE TO **DOWNLOAD** THE COMPLETE MANUAL



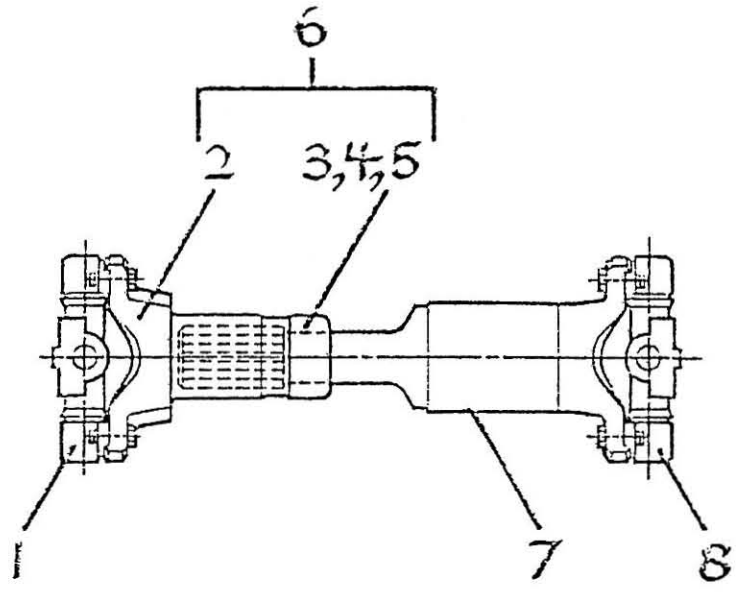
DRAWING NUMBER P4-1121

SMALL BOOM SECTION / SS-836

SHEET NUMBER 3B



ITEM	NUMBER	DESCRIPTION	QTY
1	3-1107	HAND BRAKE ASSY (SEE PAGE 19)	1
2	7-208-01	CABLE / PARKING BRAKE	1
3	6-5205-06	CAPSCREW 5/16 NC * 3/4 LG.	4
4	6-6211-05	LOCKWASHER 5/16	6
5	6-6201-05	HEX NUT 5/16 NC	6
6	2-1053	MOUNT / BRAKE CABLE	1
7	6-5205-08	CAPSCREW 5/16 NC * 1 LG.	2
8	6-6259-06	CLEVIS PIN 3/8 * 3/4 LG.	1
9	6-6245-08	COTTER PIN 5/32 * 1 LG.	1
10	7-208-02	CLIP / CABLE MOUNTING	1



ITEM	NUMBER	DESCRIPTION	RECD
1	7-196-2	CROSS & BEARING ASSEMBLY	1
2	7-196-6	SLIP YOKE	1
3	7-196-7	RETAINING CAP	1
4	7-196-8	RETAINING WASHER	1
5	7-196-9	FELT WASHER	1
6	7-196-5	SLIP YOKE ASSEMBLY	1
7	3-1017-058-W	TUBE WELDMENT	1
8	7-196-1	CROSS & BEARING ASSEMBLY	1

ITEM	NUMBER	DESCRIPTION	QTY
1	6-6436-01	FITTING / 20 OR * 20 NPT * STR	1
2	6-6453-25	FITTING / 20 OR * 16 JIC * 90	1
3	6-6453-24	FITTING / 16 OR * 10 JIC * 90	1
4	6-6453-24	FITTING / 16 OR * 10 JIC * 90	1
5	6-6453-19	FITTING / 16 OR * 16 JIC * 90	1
6	6-6453-18	FITTING / 12 OR * 10 JIC * 90	1
7	6-6456-20	FITTING / 12 OR * 12 JIC * STR.	1
8	6-6456-15	FITTING / 08 OR * 10 JIC * STR.	1
9	6-6452-01	FITTING / 04 OR * 04 JIC * 45	1
10	7-151-02	STRAINER / SUCTION	1
11	7-158-48	HOSE FITTING	1
12	6-7428-11	HOSE / SUCTION	1
13	6-6431-03	FITTING / 02 NPT * 04 JIC TEE	1
14	6-6402-06	FITTING / 08 NPT * 02 NPT RED.	1
15	3-108+	SUCTION FITTING	1
16	7-272-01	T-HOSE CLAMP	2
17	7-209-67	O-RING / PRESSURE SIDE	1
18	6-7002-50	HOSE / 04 * 04 * 25 LG.	1
19	7-158-36	SPLIT FLANGE KIT	1
20	7-209-69	O-RING / SUCTION SIDE	1
21	6-7005-44	HOSE / 10 * 10 * 22 LG.	1
22	6-7096-30	HOSE / 12 * 12-90 * 15 LG.	1
23	6-7005-34	HOSE / 10 * 10 * 17 LG.	1
24	6-7008-43	HOSE / 16 * 16 * 21 1/2 LG.	1
25	7-256-02	FILTER / RETURN	1
26	7-256-03	GAGE / RETURN FILTER	1
27	7-256-05	ELEMENT / RETURN FILTER	1
28	7-200-01	VALVE / 3 SECTION	1
29	7-256-07	FILTER / PRESSURE	1
30	7-256-04	ELEMENT / PRESSURE FILTER	1
31	7-234-08	CONTROL BLOCK ASSY (SEE P4-1099)	1
32	7-257-01	PUMP ASSEMBLY	1
33	6-5208-32	CAPSCREW 1/2 NC * 4 LG.	4
34	6-6211-08	LOCKWASHER 1/2	4
35	6-5208-06	CAPSCREW 3/8 NC * 3/4 LG.	4
36	6-6211-06	LOCKWASHER 3/8	4

DRAWING
NUMBER P4-1094

CIRCUIT / TANK-PUMP / SS-836

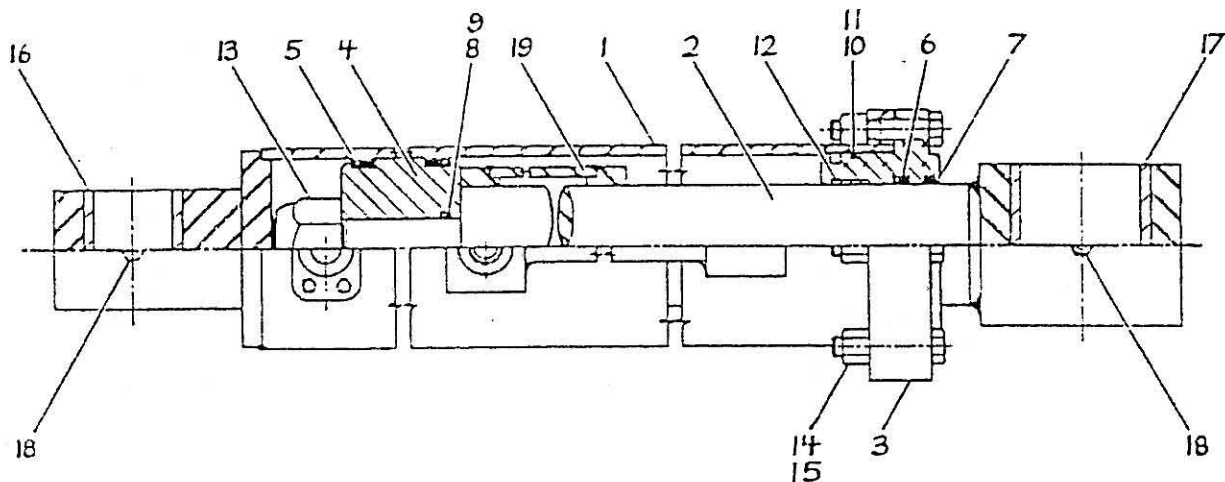
SHEET
NUMBER 21B

ITEM	NUMBER	DESCRIPTION	QTY
1	6-6450-05	FITTING / 06 DR * 04 JIC * STR	6
2	6-6453-06	FITTING / 06 DR * 06 JIC * 90	1
3	6-6482-05	FITTING / 06 JIC TEE	1
4	6-6453-04	FITTING / 06 DR * 04 JIC * 90	5
5	6-6452-03	FITTING / 06 DR * 06 JIC * 45	1
6	6-6425-15	FITTING / 12 NPT * 08 JIC * STR	1
7	6-6481-08	FITTING / 08 JIC SW. RUN TEE	1
8	6-7002-258	HOSE / 04 * 04 * 129 LG.	1
9	6-7022-276	HOSE / 04 * 04-90 * 138 LG.	1
10	6-7003-56	HOSE / 06 * 06 * 28 LG.	1
11	6-7002-276	HOSE / 04 * 04 * 138 LG.	1
12	6-7022-276	HOSE / 04 * 04-90 * 138 LG.	1
13	6-7002-258	HOSE / 04 * 04 * 129 LG.	1
14	6-7033-208	HOSE / 06 * 06-90 * 104 LG.	1
15	6-7102-32	HOSE / 04 * 04 MALE * 16 LG.	1
16	6-7022-42	HOSE / 04 * 04-90 * 21 LG.	1
17	6-7013-19	HOSE / 06 * 08 * 9 1/2 LG.	1
18	7-200-02	CONTROLLER / 4-WAY	1
19	7-234-07	LOGIC BLOCK	1
20	7-234-08	CONTROL BLOCK	1
21	6-6450-09	FITTING / 08 * 06 JIC * STR.	1
22	6-7003-136	HOSE / 06 * 06 * 68 LG.	1
23	7-198-01	ACTUATOR / BRAKE	1

DRAWING NUMBER P4-1115

CIRCUIT / 4-WAY CONTROLLER

SHEET NUMBER 26B



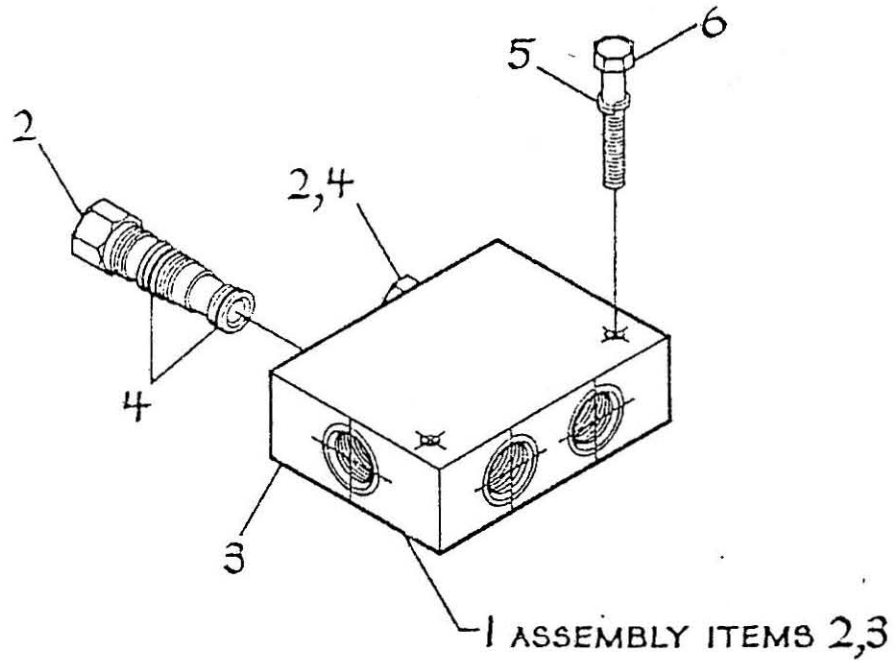
ITEM	NUMBER	DESCRIPTION	REQD
1	4-1054	TUBE WELDMENT	1
2	3-1015-08	ROD WELDMENT	1
3	3-1094	HEAD	1
4	2-1018-3	PISTON	1
5	7-209-04	POLYPAK / PISTON	2
6	7-209-54	POLTPAK / ROD	1
7	7-209-47	WIPER / ROD	1
8	7-209-22	O-RING / PISTON	1
9	7-209-11	PARBAK RING	1
10	7-209-26	O-RING / HEAD	1
11	7-209-15	PARBAK RING	1
12	7-262-07	WEAR RING / 3.00 I.D.	1
13	6-6206-24	SELF LOCKING NUT	1
14	6-5308-20	HEX HEAD BOLT	6
15	6-6204-08	HEX HI-NUT	6
16	6-4516-24	BRONZE BUSHING	1
17	6-4524-32	BRONZE BUSHING	1
18	6-6301	LUBE FITTING / 1/8 NPT	2
19	3-1060	SPACER WELDMENT	1

DRAWING
NUMBER

P4-1055

48-836

SHEET
NUMBER 32 A



ITEM	NUMBER	DESCRIPTION	REQD
1	7-234-04	DUAL PILOT CHECK VALVE ASSY	1
2	7-234-18	CARTRIDGE / PILOT CHECK	2
3	7-234-21	BODY	1
4	7-234-29	SEAL KIT	2
5	6-6211-05	LOCKWASHER 5/16	2
6	6-5205-14	CAPSCREW 5/16 NC * 1 3/4 LG.	2

DRAWING
NUMBER P3-1100

DUAL PILOT CHECK VALVE

SHEET
NUMBER 42A

CLICK HERE TO **DOWNLOAD** THE COMPLETE MANUAL

- Thank you very much for reading the preview of the manual.
- You can download the complete manual from: www.heydownloads.com by clicking the link below



- Please note: If there is no response to CLICKING the link, please download this PDF first and then click on it.

CLICK HERE TO **DOWNLOAD** THE COMPLETE MANUAL