

BARAGA PRODUCTS, INC.

SS-836 PARTS BOOK
DATE 3/1/88

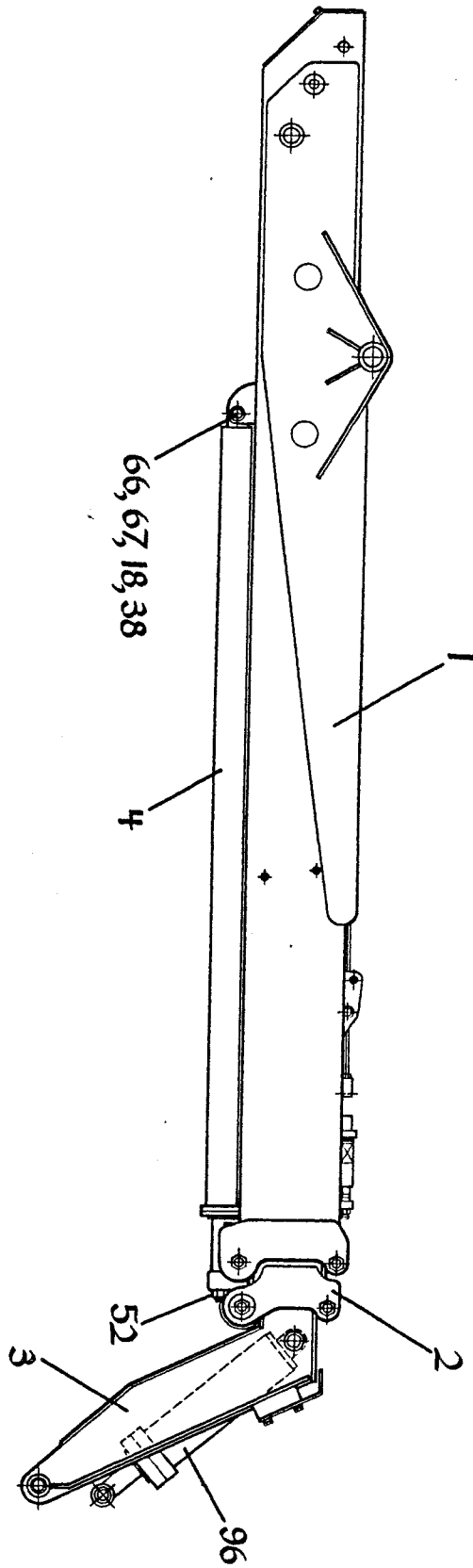
CLICK HERE TO **DOWNLOAD** THE COMPLETE MANUAL

- Thank you very much for reading the preview of the manual.
- You can download the complete manual from: www.heydownloads.com by clicking the link below



- Please note: If there is no response to CLICKING the link, please download this PDF first and then click on it.

CLICK HERE TO **DOWNLOAD** THE COMPLETE MANUAL



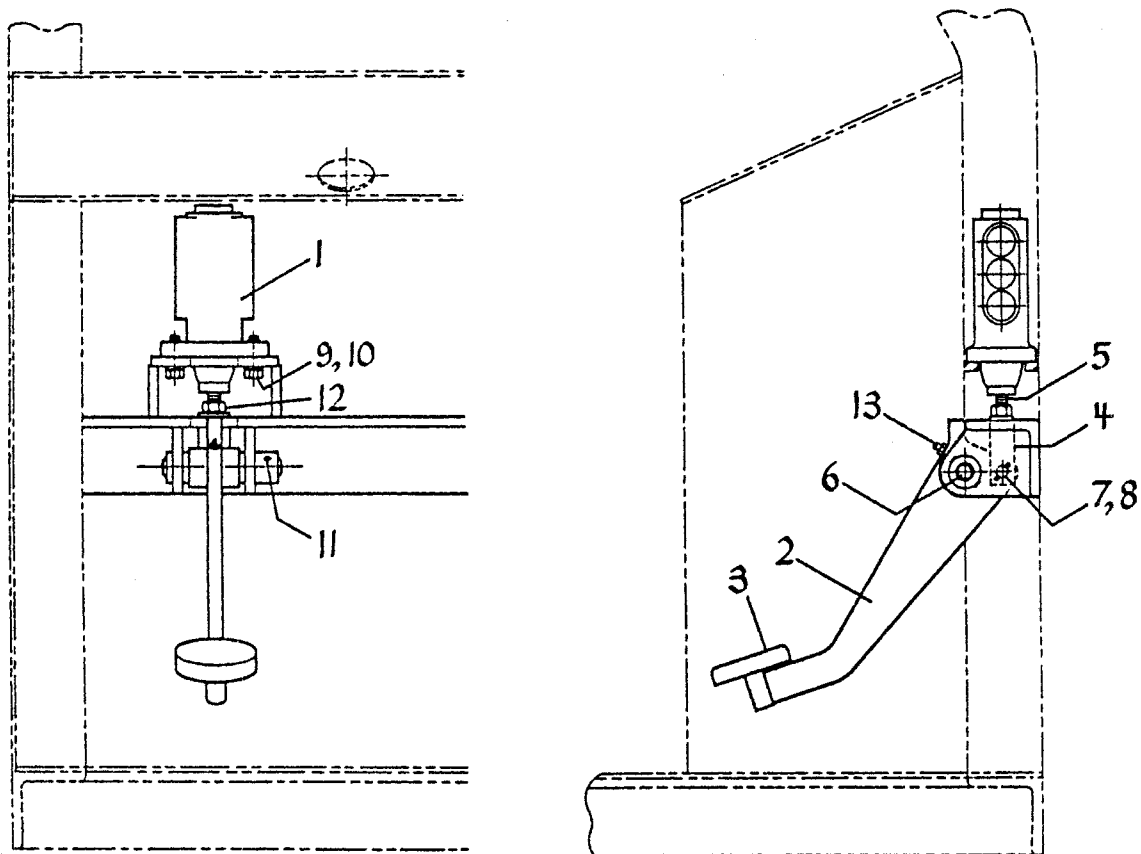
3A

SHEET
NUMBER

BOOM ASSEMBLY / SS-836

DRAWING
NUMBER

P4-1076



ITEM	NUMBER	DESCRIPTION	REQD
1	7-198-01	ACTUATOR / BRAKE	1
2	3-1047	PEDAL / BRAKE	1
3	7-279-01	FOOT PAD	1
4	1-1008	YOKE / BRAKE	1
5	1-1009	PUSH ROD	1
6	6-3006-01	PIN / BRAKE PEDAL	1
7	6-6261-12	CLEVIS PIN 1/2 x 1 1/2 LG.	1
8	6-6245-08	COTTER PIN 5/32 x 1 LG.	1
9	6-5206-10	CAPSCREW 3/8 NC x 1 1/4 LG.	2
10	6-6211-06	LOCKWASHER 3/8	2
11	6-6237-10	ROLL PIN 5/16 x 1 1/4 LG.	1
12	6-6202-08	HEX NUT 1/2 NF	1
13	6-6306	LUBE FITTING 1/4-28 THD.	1

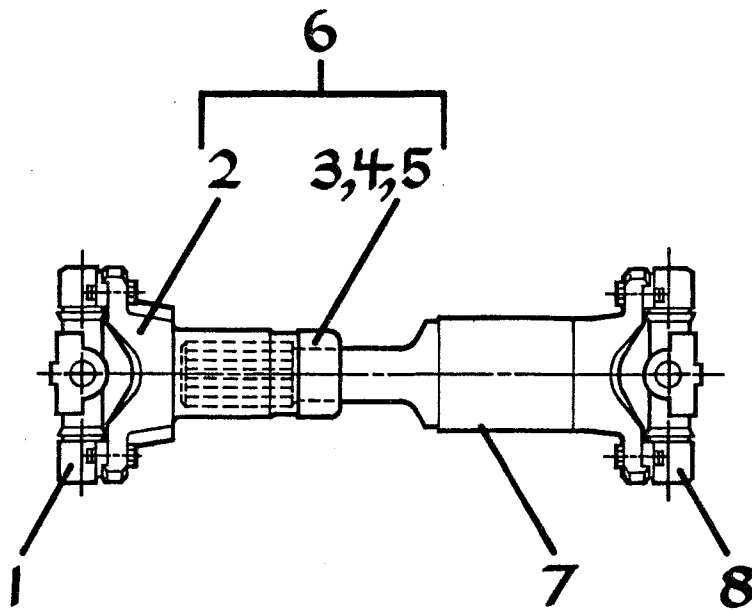
5A

SHEET
NUMBER

FOOT BRAKE ASSEMBLY / 88-836

DRAWING
NUMBER

P4-1097



ITEM	NUMBER	DESCRIPTION	REQD
1	7-196-2	CROSS & BEARING ASSEMBLY	1
2	7-196-6	SLIP YOKE	1
3	7-196-7	RETAINING CAP	1
4	7-196-8	RETAINING WASHER	1
5	7-196-9	FELT WASHER	1
6	7-196-5	SLIP YOKE ASSEMBLY	1
7	3-1017-229-W	TUBE WELDMENT	1
8	7-196-1	CROSS & BEARING ASSEMBLY	1

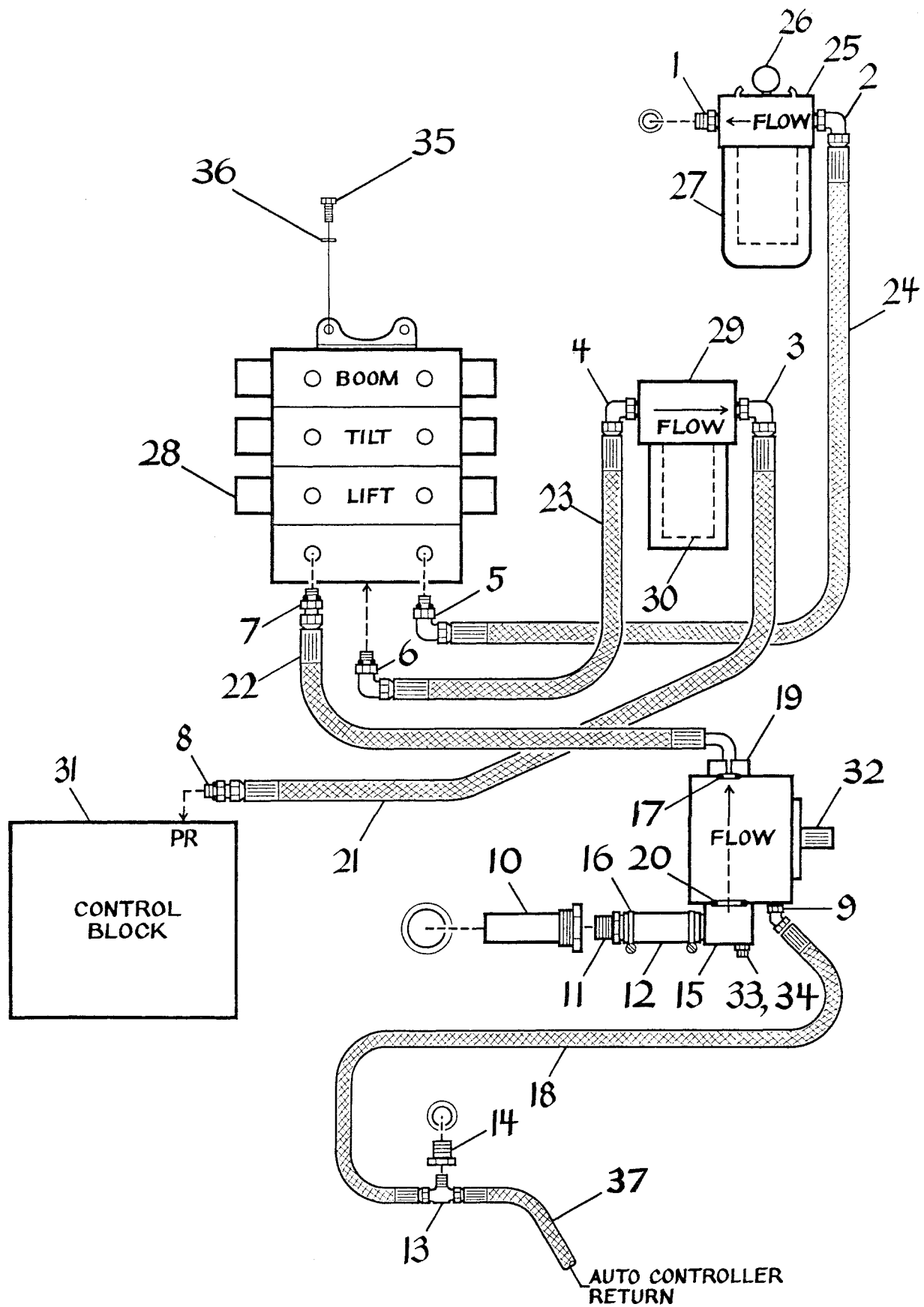
15A

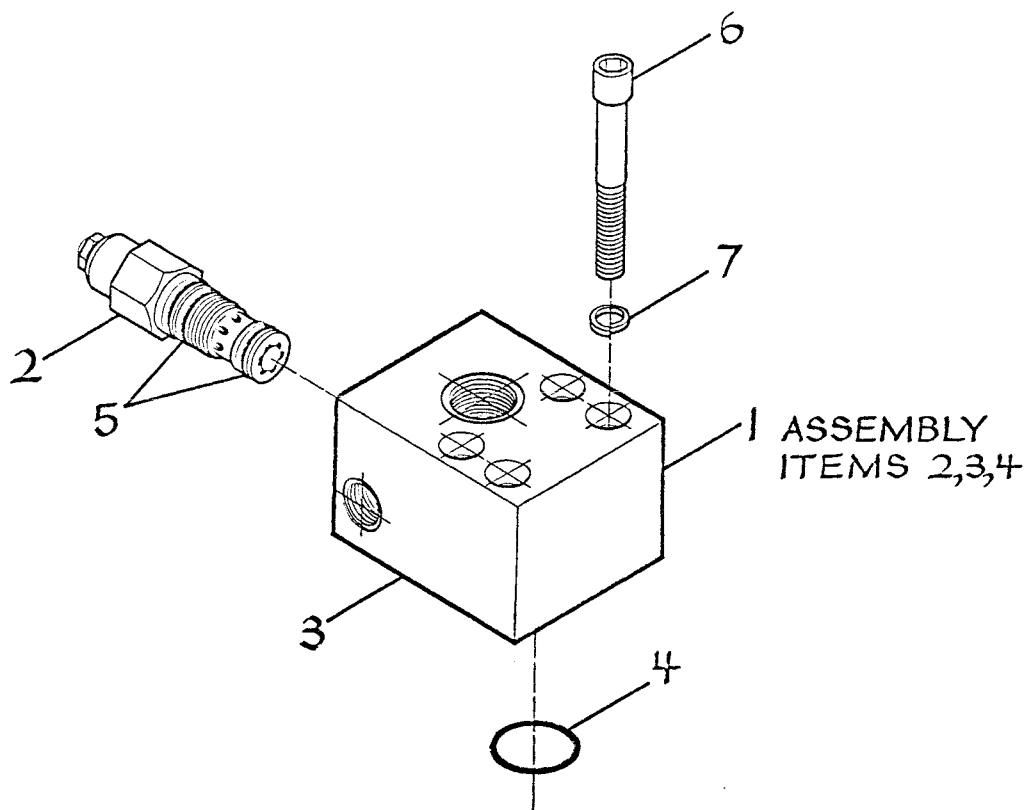
SHEET
NUMBER

FRONT DRIVESHAFT ASSEMBLY

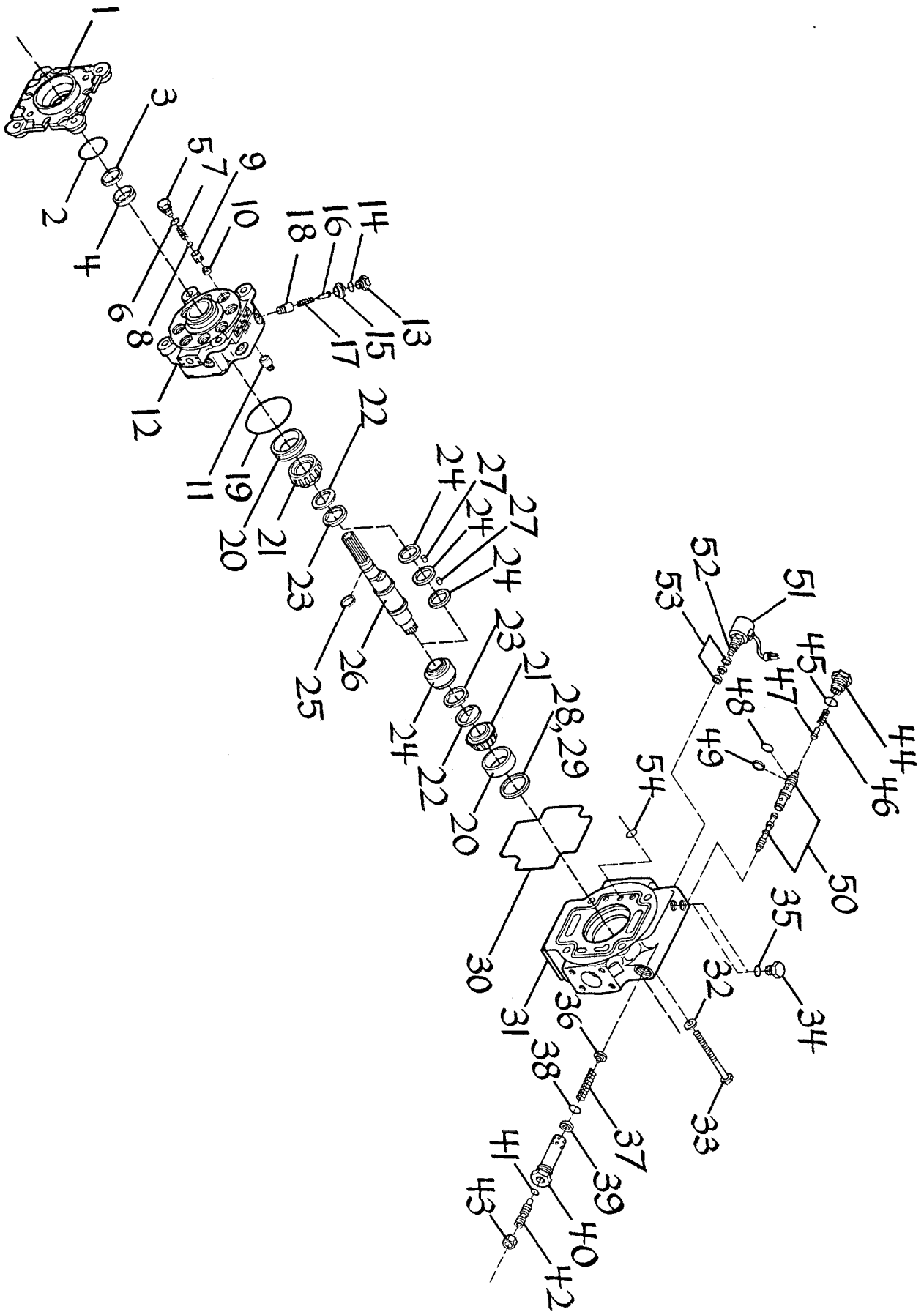
DRAWING
NUMBER

PI-1061





ITEM	NUMBER	DESCRIPTION	REQD
1	7-234-03	MOTION VALVE ASSEMBLY	1
2	7-234-22	CARTRIDGE / COUNTERBALANCE	1
3	7-234-23	BODY	1
4	7-234-32	O-RING	1
5	7-234-30	SEAL KIT	1
6	6-5606-22	CAPSCREW SH 3/8 NC x 2 3/4 LG.	4
7	6-6214-06	LOCKWASHER 3/8 HI-COLLAR	4



48A

SHEET
NUMBER

HYD. PUMP ASSEMBLY / SS-836

DRAWING
NUMBER

P4-1123

CLICK HERE TO **DOWNLOAD** THE COMPLETE MANUAL

- Thank you very much for reading the preview of the manual.
- You can download the complete manual from: www.heydownloads.com by clicking the link below



- Please note: If there is no response to CLICKING the link, please download this PDF first and then click on it.

CLICK HERE TO **DOWNLOAD** THE COMPLETE MANUAL