

SQUARE SHOOTER

PARTS BOOK / SS-624

DATE 01-01-92

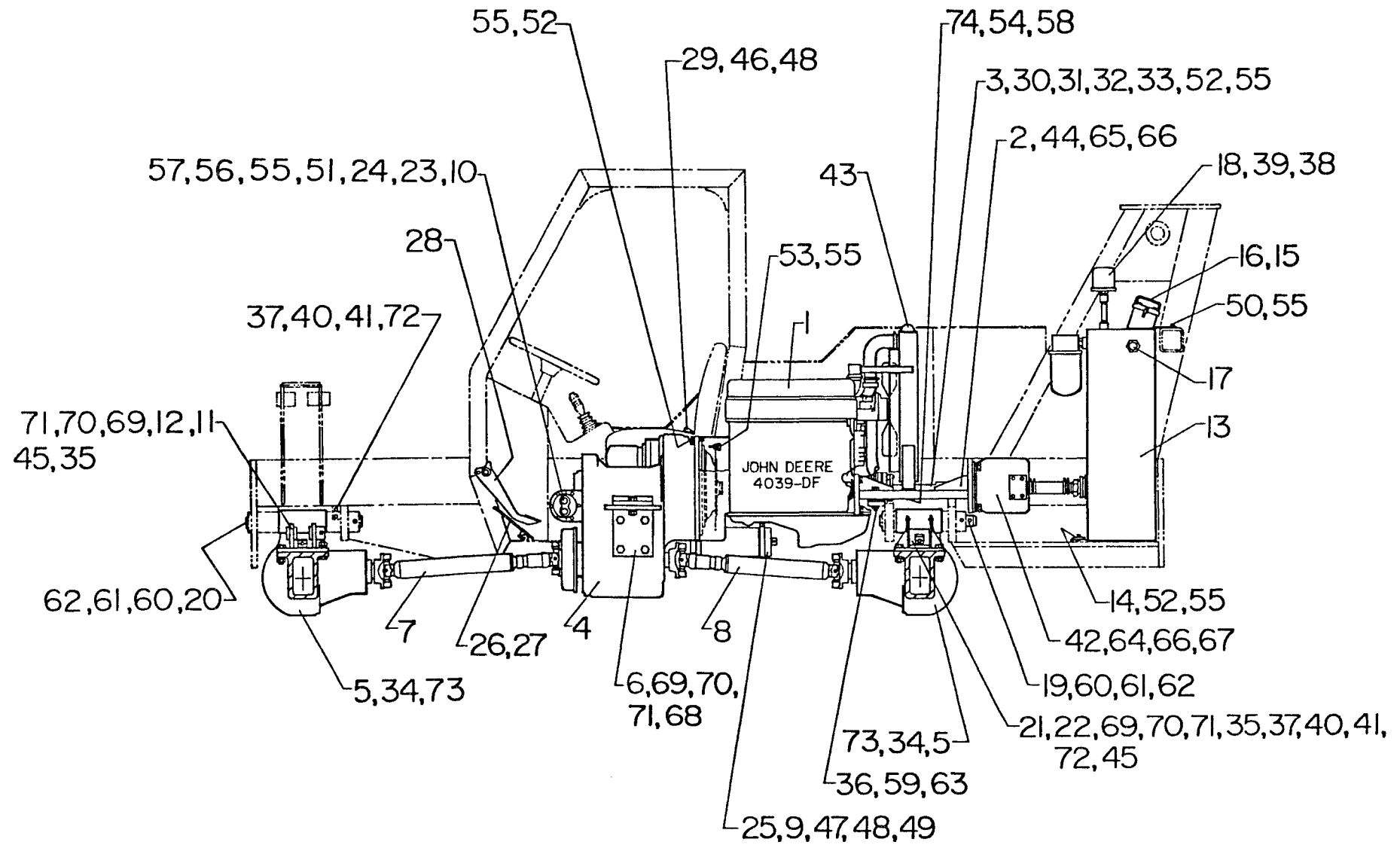
CLICK HERE TO **DOWNLOAD** THE COMPLETE MANUAL

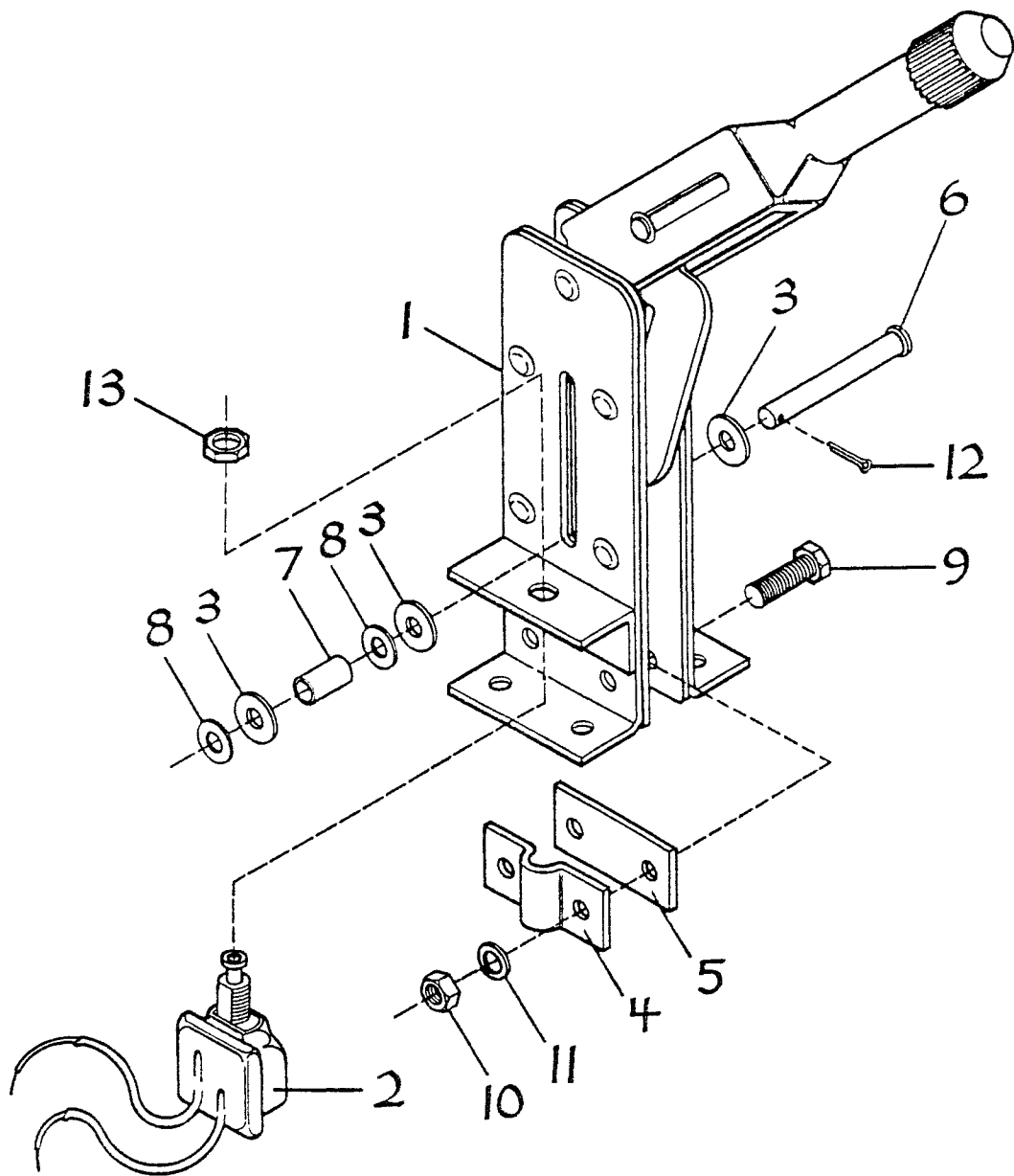
- Thank you very much for reading the preview of the manual.
- You can download the complete manual from: www.heydownloads.com by clicking the link below



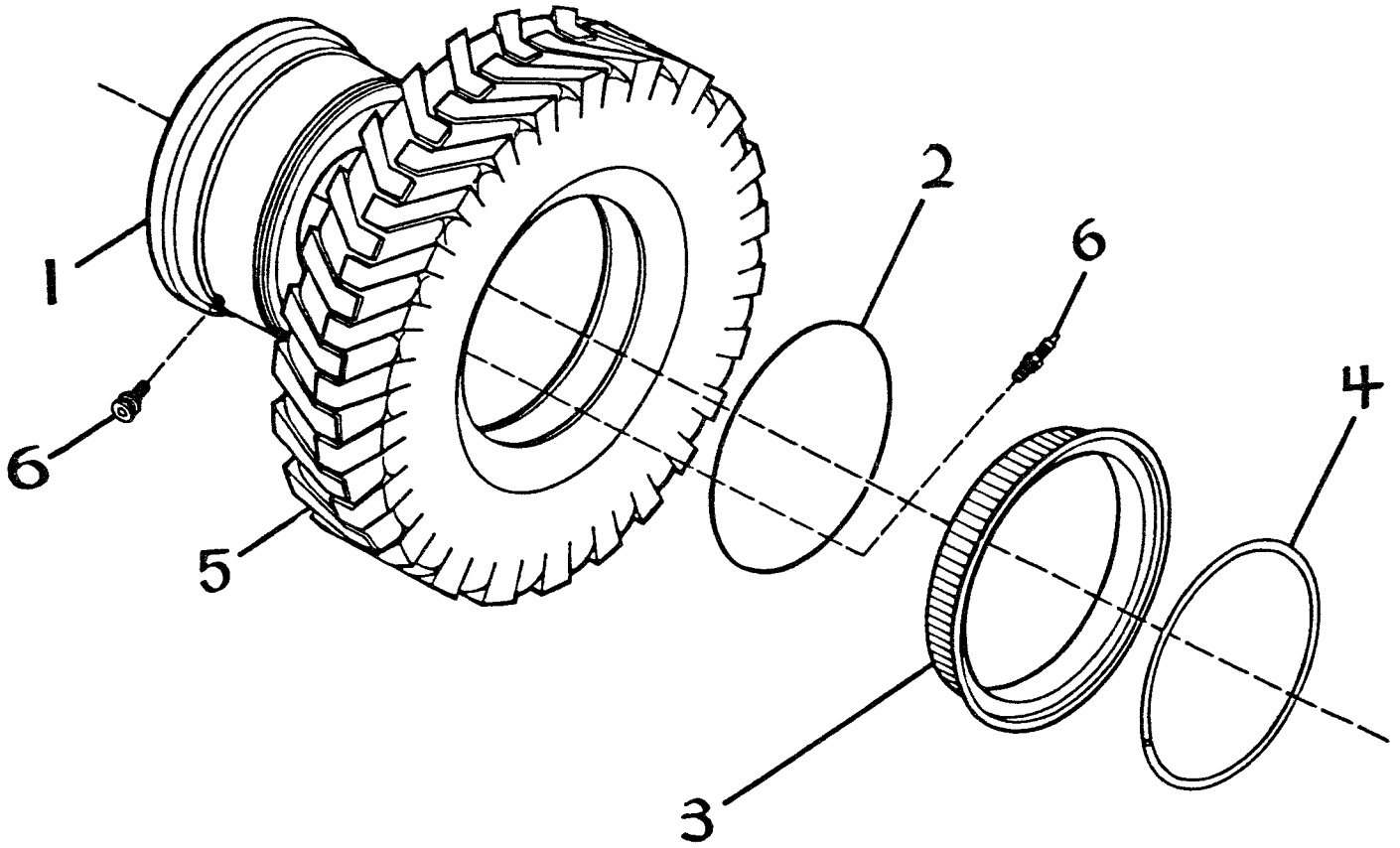
- Please note: If there is no response to CLICKING the link, please download this PDF first and then click on it.

CLICK HERE TO **DOWNLOAD** THE COMPLETE MANUAL

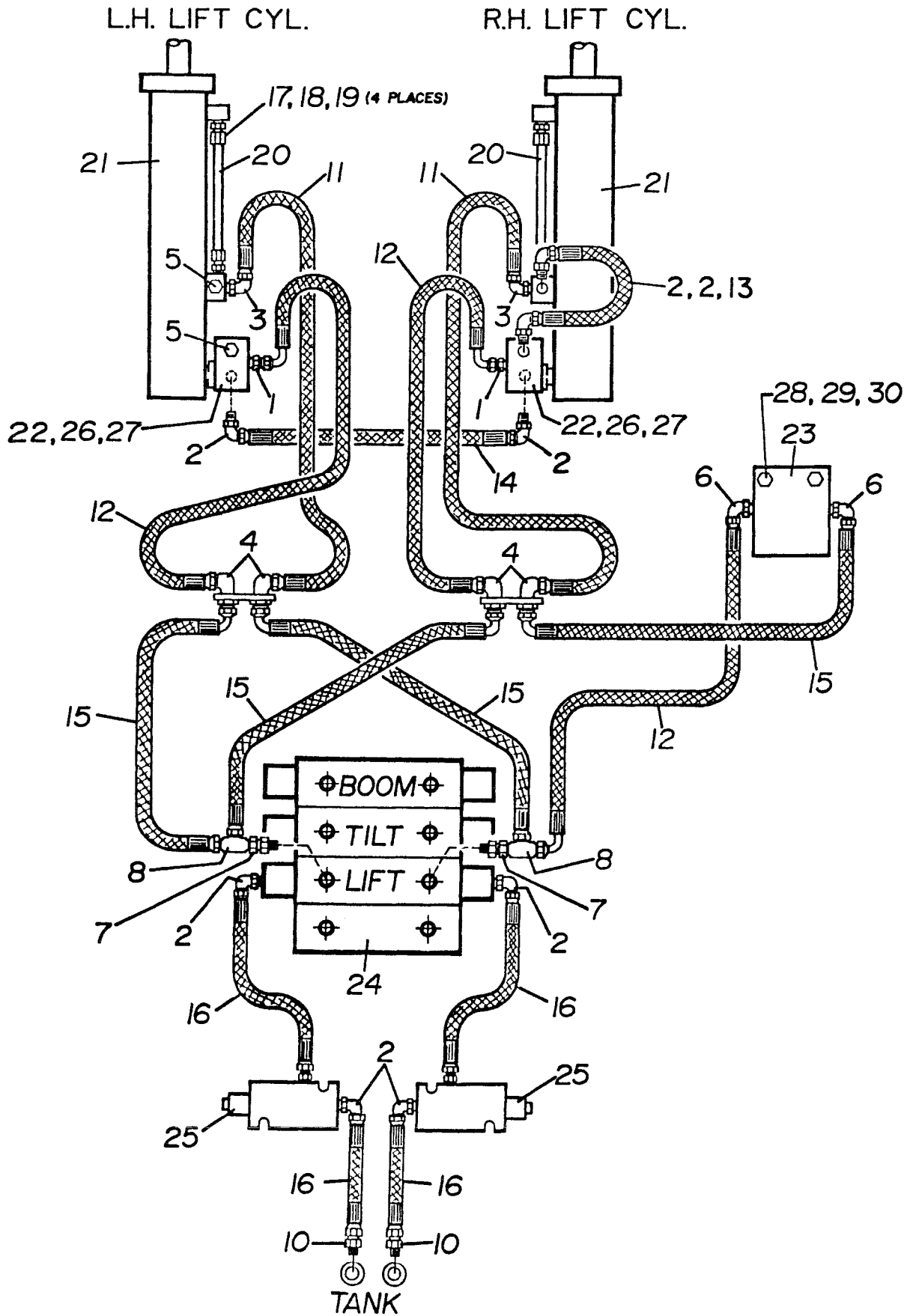


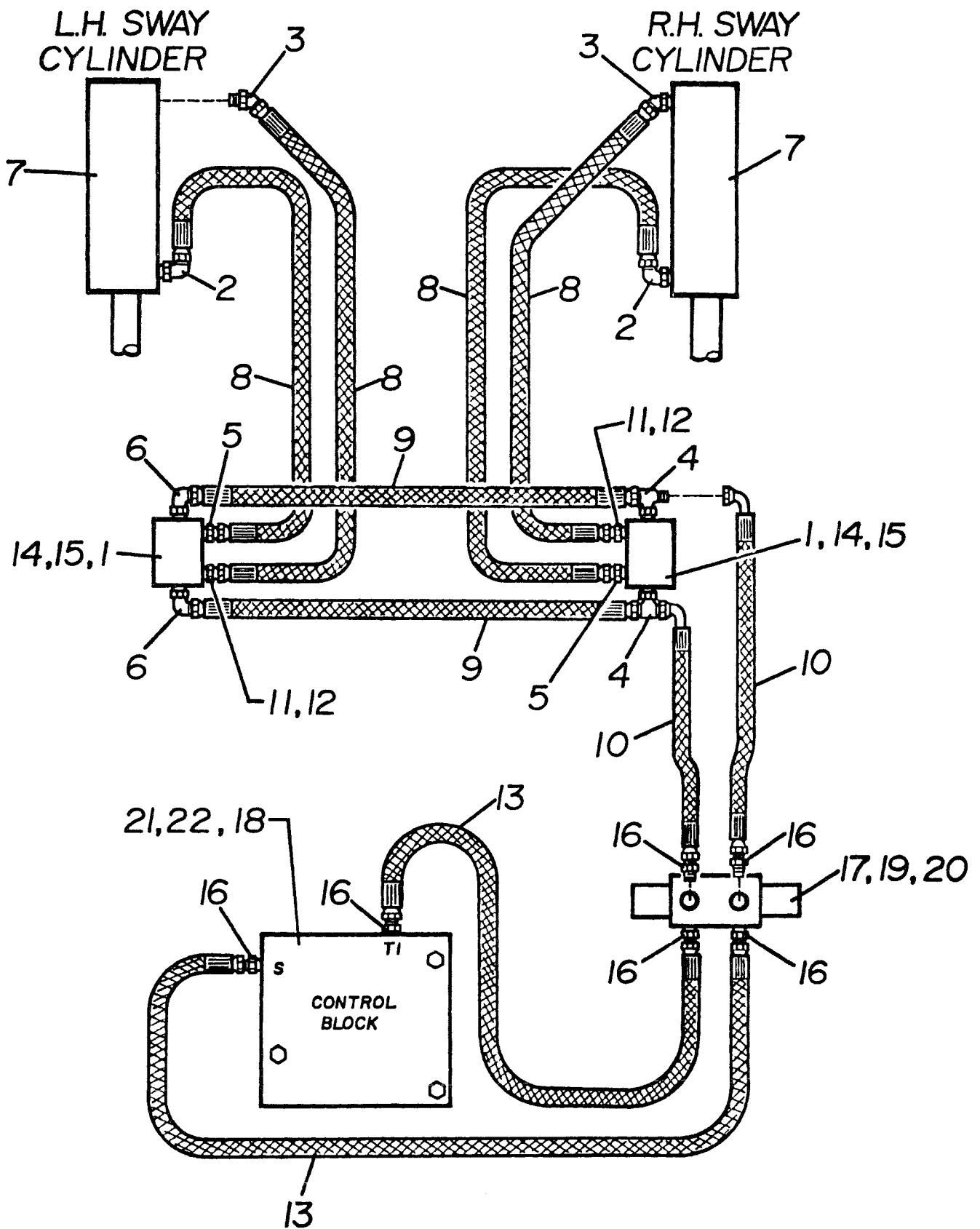


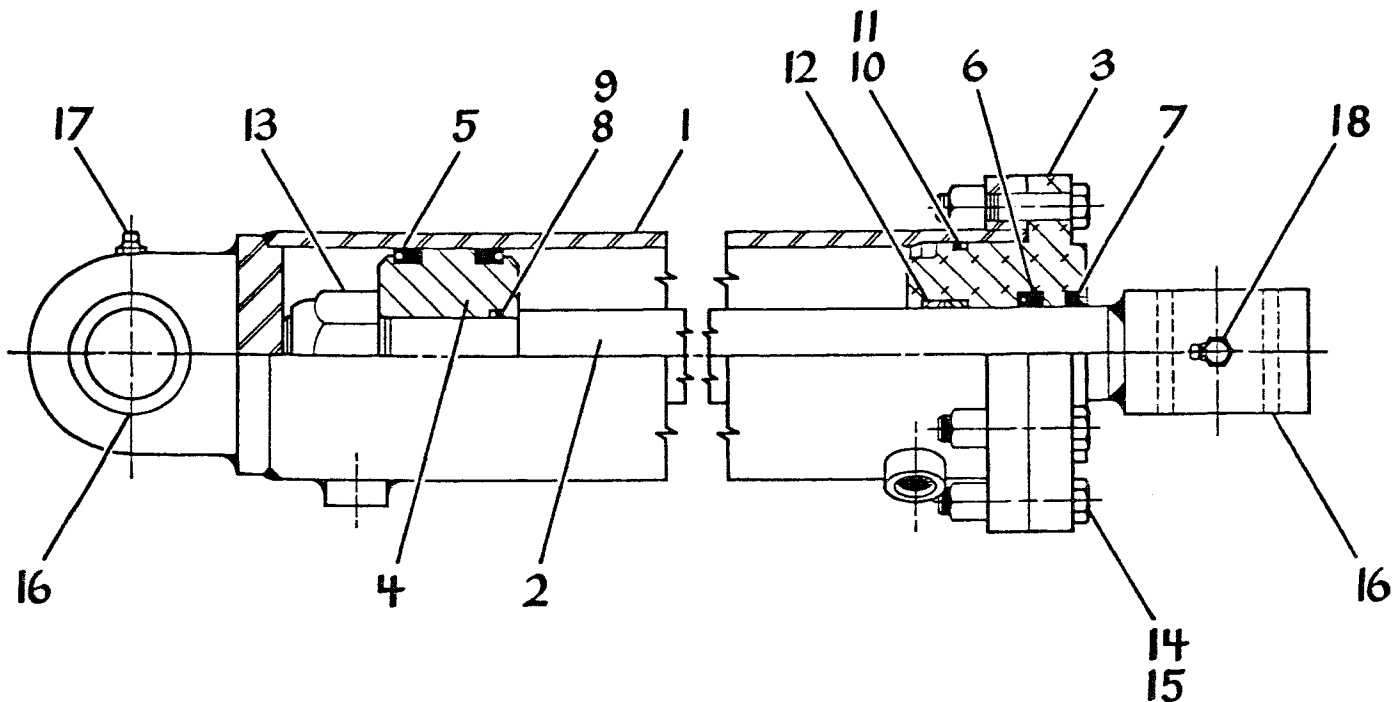
ITEM	NUMBER	DESCRIPTION	REQD
1	7-249-12	HAND BRAKE ASSEMBLY	REF
2	7-249-05	SWITCH KIT	REF
3	6-6212-04	FLATWASHER 1/4	3
4	7-249-07	CLAMP	REF
5	7-249-08	CLAMP BASE	REF
6	6-6258-20	CLEVIS PIN SS 5/16 x 2 1/2 LG.	REF
7	7-249-09	SPACER	REF
8	7-249-10	WASHER	REF
9	6-5205-08	CAPSCREW 5/16 NC x 1 LG.	2
10	6-6201-05	HEX NUT 5/16 NC	2
11	6-6211-05	LOCKWASHER 5/16	2
12	6-6244-06	COTTER PIN 1/8 x 3/4 LG.	1
13	7-249-11	PAL NUT	REF



ITEM	NUMBER	DESCRIPTION	REQD
1	3-1036-10	RIM BASE	1
2	7-250-14	O-RING	1
3	7-250-01	FLANGE	1
4	7-250-03	LOCK RING	1
5	7-163-01	TIRE 13.00 x 24	1
6	7-286-01	VALVE STEM / CHLORIDE	1

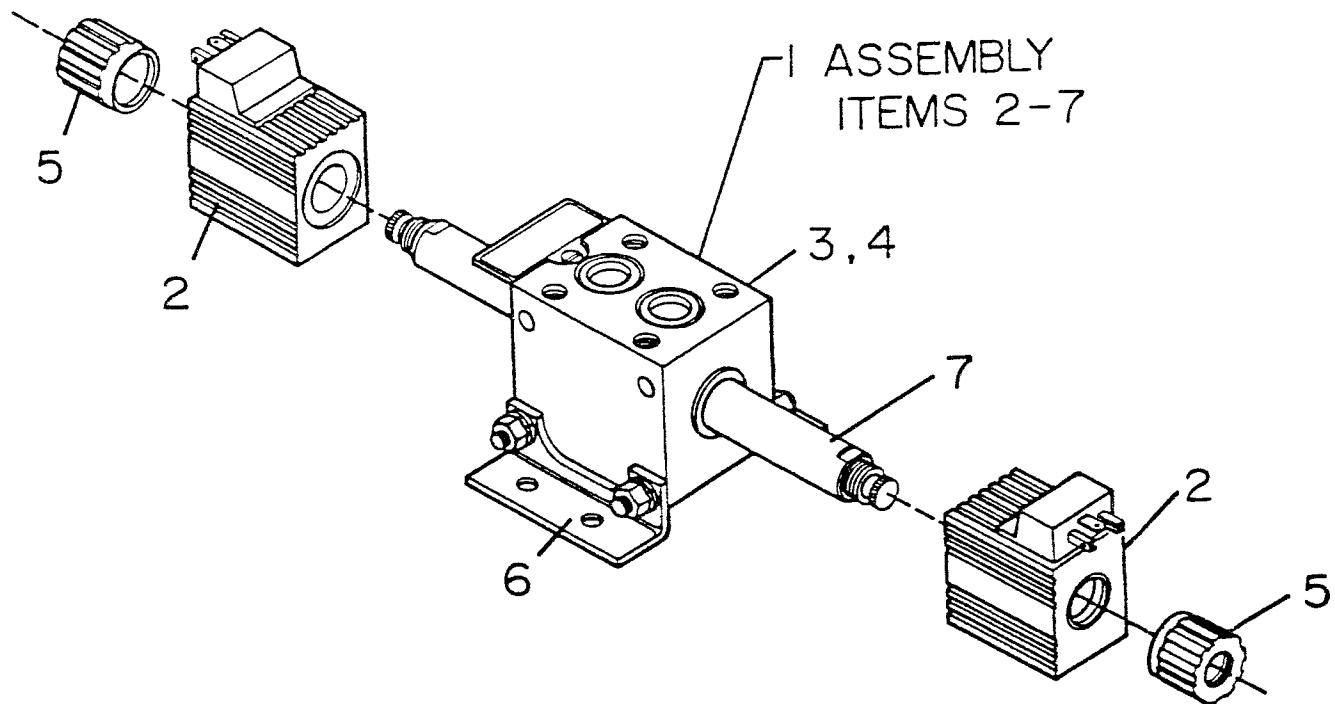






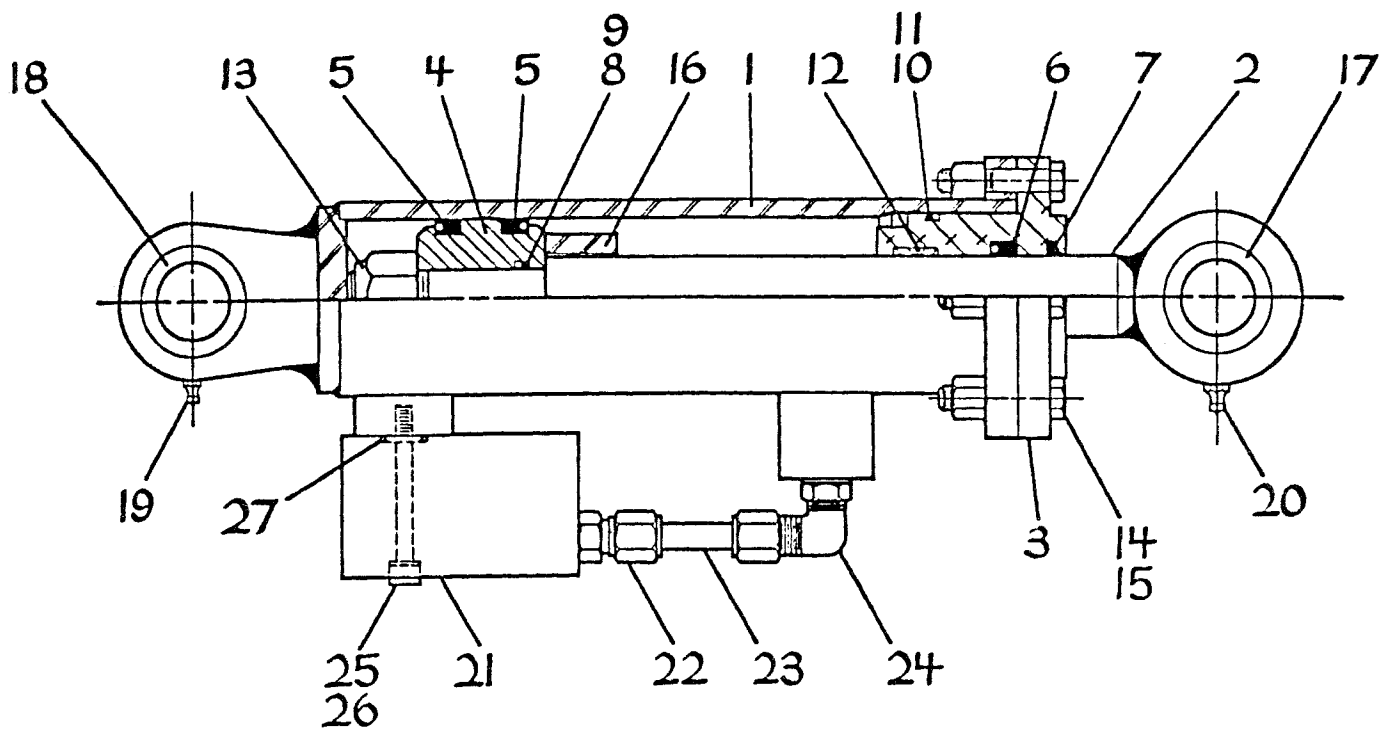
(19) CYLINDER SEAL KIT

ITEM	NUMBER	DESCRIPTION	REQD
1	4-1045	TUBE WELDMENT	1
2	3-1015-7	ROD WELDMENT / PISTON	1
3	3-1006-15	HEAD	1
4	2-1018-1	PISTON	1
5	7-209-02	POLYPAK / PISTON	2
6	7-209-51	POLYPAK / ROD	1
7	7-209-44	WIPER / ROD	1
8	7-209-21	O-RING / PISTON	1
9	7-209-10	PARBAK RING / PISTON	1
10	7-209-24	O-RING / HEAD	1
11	7-209-13	PARBAK RING / HEAD	1
12	7-262-13	WEAR RING / 1.50 I.D.	2
13	6-6206-20	SELF LOCKING NUT 1 1/4 NF	1
14	6-5307-18	CAPSCREW 7/16 NF x 2 1/4 LG.	6
15	6-6204-07	HEX HI-NUT 7/16 NF	6
16	6-4512-16	BRONZE BUSHING	2
17	6-6301	LUBE FITTING 1/8 NPT STR.	2
18	6-6302	LUBE FITTING 1/8 NPT 90	1
19	7-900-02	SEAL KIT / CYLINDER	REF
20	4-1044	CYLINDER ASSEMBLY (ITEMS 1 THRU 18)	REF



ITEM	NUMBER	DESCRIPTION	REQD
1	7-244-31	ELECTRIC VALVE ASSY / 4-WAY	1
2	7-244-40	COIL / DIN	2
3	7-244-17	SPOOL	1
4	7-244-18	VALVE BODY	1
5	7-244-19	END CAP	2
6	7-244-44	BRACKET ASSEMBLY	1
7	7-244-24	TUBES & PIN / SPOOL ACTUATING	1

ITEM	NUMBER	DESCRIPTION	REQD
55	-----	VALVE (WITH ITEM 68 ONLY)	1
56	7-257-70	O-RING	3
57	7-257-73	SHIM	3
58	7-257-71	VALVE	1
59	7-257-72	SPRING	1
60	7-257-64	CAPSCREW	4
61	7-257-40	WASHER	4
62	7-244-12	COIL / HEAVY DUTY / 12 VDC	1
63	7-244-08	CARTRIDGE / N.O.	1
64	7-244-04	SEAL KIT	1
65	7-244-13	SOLENOID VALVE ASSEMBLY / N.O.	1
66	7-257-83	O-RING	1
67	7-257-70	O-RING	1
68	7-257-88	CONTROL VALVE ASSY (ITEMS 39-59)	1
69	7-257-85	CAPSCREW	4
70	7-257-86	COVER	1
71	7-257-87	CAPSCREW	4
72	7-257-82	O-RING	1
73	7-257-89	O-RING	1
74	7-257-90	SEAL OVERHAUL KIT	REF



(28) CYLINDER SEAL KIT

ITEM	NUMBER	DESCRIPTION	REQD
1	4-1120	TUBE WELDMENT	1
2	3-1015-09	ROD / PISTON	1
3	3-1014-125	HEAD	1
4	2-1018-5	PISTON	1
5	7-209-40	POLYPAK / PISTON	2
6	7-209-50	POLYPAK / ROD	1
7	7-209-43	ROD WIPER	1
8	7-209-20	O-RING / PISTON	1
9	7-209-09	PARBAK RING	1
10	7-209-41	O-RING / HEAD	1
11	7-209-42	PARBAK RING	1
12	7-262-14	WEAR RING 1.25 I.D.	2
13	6-6206-14	SELF-LOCKING NUT	1
14	6-6306-14	HEX HEAD BOLT	6
15	6-6204-06	HEX HI-NUT	6
16	6-1210-09	SPACER	1
17	6-4510-16	BRONZE BUSHING	1
18	6-4510-12	BRONZE BUSHING	1
19	6-6306	LUBE FITTING 1/4-28 STR.	1
20	6-6301	LUBE FITTING 1/8 NPT STR.	1
21	7-234-35	DUAL CHECK VALVE (SEE P3-1141)	1
22	6-6492-02	FITTING / 06 OR x 06 TUBE STR	1
23	6-6501-20	TUBING 3/8 x 2 1/2 LG.	1
24	6-6493-02	FITTING / 06 OR x 06 TUBE 90	1
25	6-5605-20	CAPSCREW SH 5/16 NC x 2 1/2 LG.	2
26	6-6214-05	LOCKWASHER 5/16 HI-COLLAR	2
27	7-234-38	O-RING	1
28	7-900-05	SEAL KIT / CYLINDER	REF

CLICK HERE TO **DOWNLOAD** THE COMPLETE MANUAL

- Thank you very much for reading the preview of the manual.
- You can download the complete manual from: www.heydownloads.com by clicking the link below



- Please note: If there is no response to CLICKING the link, please download this PDF first and then click on it.

CLICK HERE TO **DOWNLOAD** THE COMPLETE MANUAL