



SKYJACK[™]

PARTS MANUAL

SJ85 AJ

ARTICULATING BOOM

229037ACA

January 2020
ANSI/CSA, CE, AS

CLICK HERE TO **DOWNLOAD** THE COMPLETE MANUAL

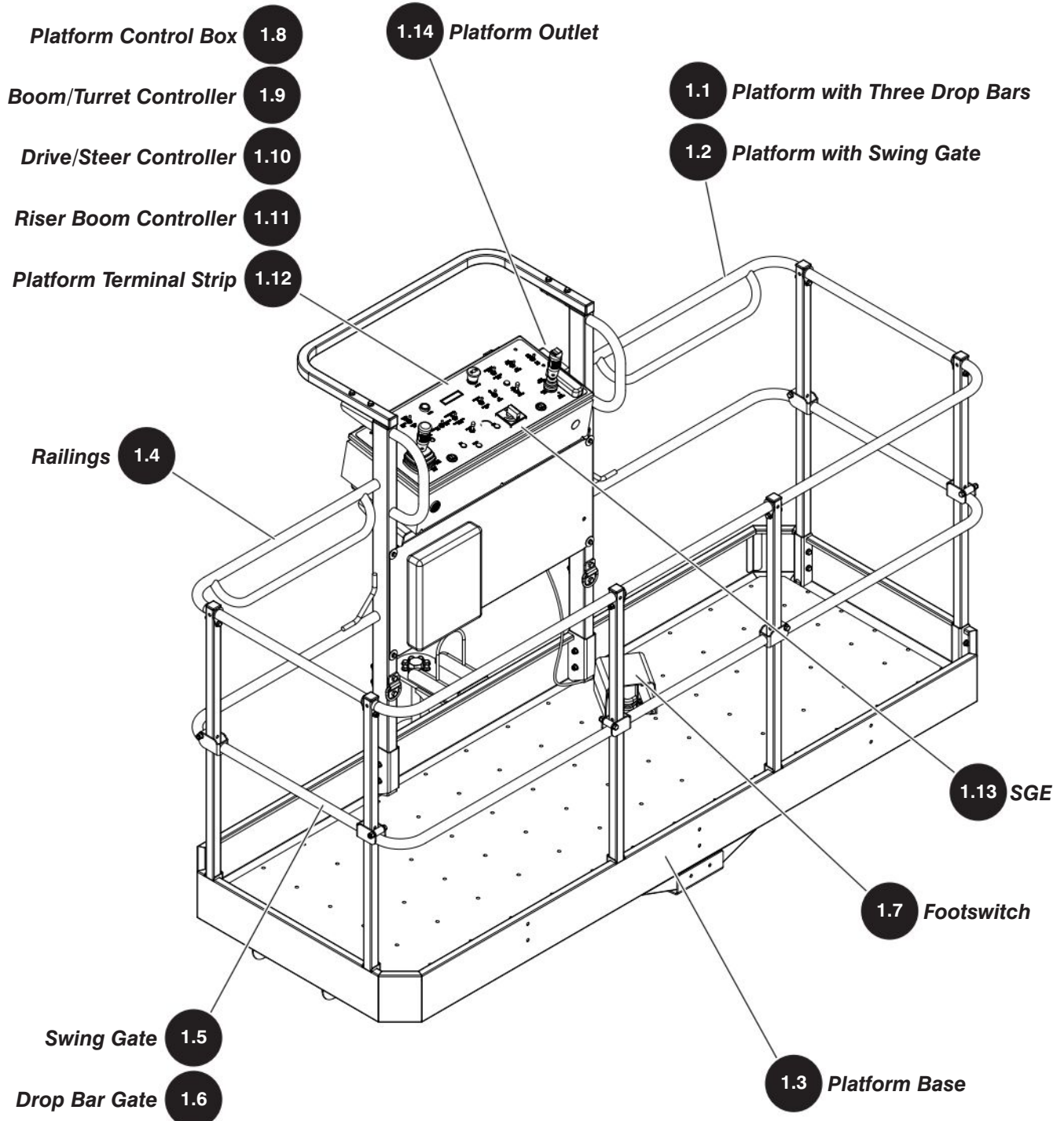
- Thank you very much for reading the preview of the manual.
- You can download the complete manual from: www.heydownloads.com by clicking the link below



- Please note: If there is no response to CLICKING the link, please download this PDF first and then click on it.

CLICK HERE TO **DOWNLOAD** THE COMPLETE MANUAL

Section 1 – Platform



1.5 Swing Gate

| Index No. | Skyjack Part No. | Qty. | Description |
|-----------|------------------|------|--|
| - | 194073 | 1 | SWING GATE FIELD KIT |
| - | 164618 | 1 | • SWING GATE ASSEMBLY |
| 1 | 164590 | 1 | • • BRACKET, Hinge mounting |
| 2 | 164619 | 1 | • • WELDMENT, Gate |
| 3 | 110824 | 1 | • • LATCH, Door spring pin |
| | 105312 | 1 | • • • LATCH, Nylon bed |
| | 109377 | 1 | • • • PIN, Latch |
| | 105307 | 1 | • • • HANDLE, Gate latch |
| | 103107 | 1 | • • • SPRING, Compression |
| | 100950 | 1 | • • • PIN, Roll (1/8" dia x 1.00") |
| 4 | 209527 | 2 | • • HINGE, Spring gate satin chrome |
| 5 | 166287 | 1 | • • WELDMENT, Locking plate |
| 6 | 100702 | 2 | • • PLUG, Plastic tube (1-1/4" x 1-1/4") |
| 7 | 164592 | 2 | • • TAB, Hinge |
| 8 | 103996 | 8 | • • WASHER, Flat (0.31") |
| 9 | 103995 | 12 | • • WASHER, Flat (0.25") |
| 10 | 103865 | 4 | • • BOLT, Hex head (0.31"-18 x 2.00" gr 5) |
| 11 | 139168 | 6 | • • SCREW, Button head (0.25"-20 x 0.75") |
| 12 | 103862 | 6 | • • BOLT, Hex head (0.25"-20 x 2.25" gr 5) |
| 13 | 103984 | 4 | • • NUT, Hex head nylon lock (0.31"-18 gr B) |
| 14 | 115649 | 12 | • • NUT, Hex head nylon lock (0.25"-20 gr 5) |
| 15 | 194065 | 1 | • INSTRUCTION, Swing gate installation (not shown) |

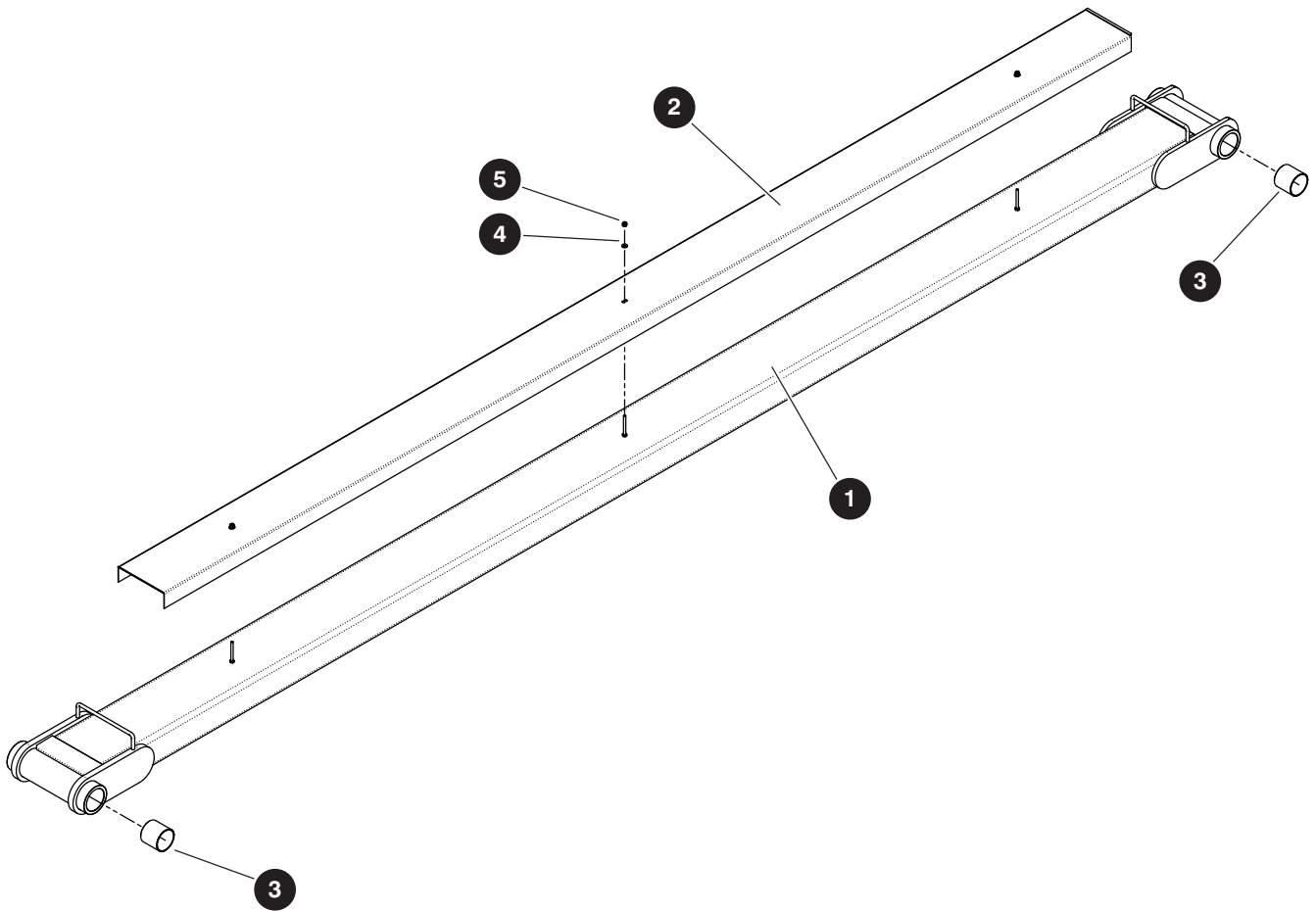
1.10 Drive/Steer Controller

| Index No. | Skyjack Part No. | Qty. | Description |
|-----------|------------------|------|--|
| A | 138224 | - | DRIVE / STEER CONTROLLER (SINGLE AXIS) |
| 1 | 141338 | 1 | • KIT, Handle |
| 2 | 141328 | 4 | • NUT |
| 3 | 141329 | 4 | • SCREW |
| 4 | 141342 | 2 | • MICROSWITCH |
| 5 | 141331 | 2 | • SCREW, Set |
| 6 | 141343 | 1 | • COUPLING, (8 MM) |
| 7 | 141339 | 1 | • CAP, Rubber |
| 8 | 141340 | 1 | • ROCKER |
| 9 | 141341 | 1 | • ROCKER, Axle |
| 10 | 141327 | 2 | • GASKET |
| 11 | 141334 | 1 | • BOOT ASSEMBLY, Standard |
| 12 | 141336 | 2 | • SCREW Mounting |
| 13 | 141335 | 2 | • WASHER, Mounting |
| 14 | 141333 | 1 | • ENCLOSURE |
| 15 | 141337 | 1 | • SCREW, Enclosure |
| B | 220627 | 1 | DRIVE / STEER CONTROLLER (SINGLE AXIS) - Potentiometer style - <i>Optional</i> |

2.2 Jib Manifold

| Index No. | Skyjack Part No. | Qty. | Description |
|-----------|------------------|------|---|
| - | 197900 | 1 | JIB MANIFOLD |
| - | 198369 | 1 | • MANIFOLD, Jib/platform rotate |
| 1 | 211702 | 1 | • • BLOCK, Manifold - Jib |
| 2 | 125883 | 4 | • • FITTING, 90° (04JICM-04ORBM) |
| 3 | 701956 | 2 | • • FITTING, Straight (04JICM-06ORBM) |
| 4 | 166058 | 1 | • • VALVE, Regulator - pressure-compensated |
| 5 | 166041 | 2 | • • VALVE, Spool - 4 way 3 position |
| 6 | 208881 | 4 | • • COIL, Solenoid - "ER" (12 VDC size 08) |
| 7 | 104437 | 1 | • • FITTING, Plug - hollow hex (06ORBM) (not shown) |
| 8 | 121250 | 2 | • • FITTING, Plug - hollow hex (04ORBM) (not shown) |
| 9 | 103995 | 12 | • WASHER, Flat (0.25") |
| 10 | 104000 | 6 | • WASHER, Lock (0.25") |
| 11 | 115649 | 6 | • NUT, Lock (0.25"-20 gr 5) |
| 12 | 137616 | 2 | • BOLT, Hex head (0.25"-20 x 3.75" gr 5) |
| 13 | 197938 | 1 | • COVER, Valve |
| 15 | 103857 | 4 | • BOLT, Hex head (0.25"-20 x 1.00" gr 5) |

2.8 3rd Riser Arm



M197803AC

| Index No. | Skyjack Part No. | Qty. | Description |
|-----------|------------------|------|--|
| - | 197803 | 1 | 3RD RISER ARM |
| 1 | 197830 | 1 | • ARM, 3rd riser |
| 2 | 197835 | 1 | • COVER |
| 3 | 147461 | 4 | • BUSHING, Fiberglide (2.5" ID x 2.6875" OD x 2.5" lg) |
| 4 | 103995 | 3 | • WASHER, Flat (0.25") |
| 5 | 115649 | 3 | • NUT, Lock (0.25"-20 gr 5 nylon) |

3.1 Jib Cylinder

| Index No. | Skyjack Part No. | Qty. | Description |
|-----------|------------------|------|-----------------------------------|
| - | 216057 | 1 | JIB CYLINDER |
| 1 | 220560 | 1 | • TUBE |
| 2 | 220561 | 1 | • ROD |
| 3 | 220562 | 1 | • GLAND |
| 4 | 220563 | 1 | • PISTON |
| 5 | 220567 | 1 | • NUT, Lock |
| 6 | 220566 | 1 | • BLOCK, Manifold - jib cylinder |
| 7 | 216059 | 2 | • VALVE, Counterbalance |
| 8 | 220564 | 1 | • RING, Cushion |
| 9 | 220565 | 1 | • GUIDE, Cushion |
| 10 | 212691 | 2 | • BUSHING, (1.50" dia x 1.50" lg) |
| 11 | 220568 | 2 | • BUSHING, (1.25" dia x 1.25" lg) |
| 12 | 220570 | 1 | • SCREW, Set |
| K | 220569 | 1 | SEAL KIT, Jib Cylinder |

3.6 Riser Cylinder

| Index No. | Skyjack Part No. | Qty. | Description |
|-----------|------------------|------|--|
| - | 197908 | 1 | RISER CYLINDER |
| - | 197878 | 2 | • CYLINDER, Riser |
| 1 | 212682 | 1 | • • TUBE |
| 2 | 212683 | 1 | • • ROD |
| 3 | 212684 | 1 | • • GLAND |
| 4 | 212685 | 1 | • • RING, Retaining |
| 5 | 212686 | 1 | • • BEARING, Dry |
| 6 | 212688 | 1 | • • PISTON |
| 7 | 212689 | 1 | • • RING, Piston |
| 8 | 209121 | 1 | • • BALL, Steel (6.35 mm) |
| 9 | 212690 | 1 | • • SCREW, Set (M8 x 1.25 x 10) |
| 10 | 212691 | 4 | • • BEARING, MRP |
| 11 | 212663 | 1 | • • VALVE, Counterbalance |
| 12 | 135061 | 2 | • FITTING, Branch tee (08JICM-08JICM-08ORBM) |
| 13 | 114583 | 2 | • FITTING, Elbow 90° (08JICM-08ORBM) |
| K | 212693 | 1 | SEAL KIT, Riser cylinder |
| T | 218661 | 2 | CHOCK, Riser cylinder (not shown) |

4.3 Cowling - Engine Side

| Index No. | Skyjack Part No. | Qty. | Description |
|-----------|------------------|------|--|
| | | | Parts list continued from the previous page. |
| 20 | 197759 | 2 | • HINGE, Outer, A |
| | 226281 | 2 | • HINGE, Outer, B |
| 21 | 197998 | 1 | • HINGE, Center |
| 22 | 197990 | 1 | • BRACKET, Latch - front right, A |
| | 232731 | 1 | • BRACKET, Latch - front right, B |
| 23 | 153881 | 1 | • BRACKET, Standoff - RH |
| 24 | 162151 | 2 | • BRACKET, Mount - latch |
| 25 | 162136 | 2 | • SUPPORT, Cowling |
| 26 | 197996 | 1 | • HINGE, Cover - RH |
| 27 | 144015 | 1 | • MOUNT, Anit-vibration (0.25"-20 UNC) |
| 28 | 146903 | 4 | • STUD, Ball (10 mm) |
| 29 | 146902 | 2 | • SPRING, Gas |
| 30 | 138834 | 4 | • SCREW, Round head machine (10-24 x 0.75") |
| 31 | 104694 | 4 | • WASHER, Flat (#10) |
| 32 | 126642 | 4 | • NUT, Lock (10-24 gr 5 nylon) |
| 33 | 163397 | 4 | • SCREW, Flat head hex (0.25"-20 x 1.25" gr 5) |
| 34 | 103995 | 4 | • WASHER, Flat (0.25") |
| 35 | 115649 | 4 | • NUT, Lock (0.25"-20 gr 5 nylon) |
| 36 | 103983 | 2 | • NUT, Hex head jam (0.25"-20 gr 5) |
| 37 | 133216 | 4 | • BOLT, Carriage (0.312"-18 x 1.00" gr 5) |
| 38 | 103996 | 6 | • WASHER, Flat (0.312") |
| 39 | 103984 | 6 | • NUT, Lock (0.312"-18 gr 5 nylon) |
| 40 | 103473 | 16 | • BOLT, Hex head (0.375"-16 x 1.00" gr 5) |
| 41 | 101297 | 2 | • BOLT, Hex head (0.375"-16 x 1-1/4" gr 5), A |
| | 103870 | 2 | • BOLT, Hex head (0.375"-16 x 1-1/4" gr 5), B |
| 42 | 103472 | 20 | • WASHER, Flat (0.375") |
| 43 | 104606 | 2 | • NUT, Lock (0.375-16 gr 5 nylon) |

4.7 Fuel Tank - Gasoline

| Index No. | Skyjack Part No. | Qty. | Description |
|-----------|------------------|------|--|
| - | 197960 | 1 | FUEL TANK ASSEMBLY - GASOLINE |
| - | 197961 | 1 | • TANK, Fuel - steel |
| 1 | 197963 | 1 | • • TANK, Fuel |
| 2 | 144393 | 1 | • • GAUGE, Fuel level |
| 3 | 198479 | 1 | • • CAP, Filler |
| 4 | 138230 | 1 | • • SWITCH, Fuel level |
| 5 | 164673 | 1 | • • TUBE, Suction |
| 6 | 144338 | 1 | • • TUBE, Send/return |
| 7 | 164674 | 1 | • • FITTING, Compression tube (0.50" OD x 0.50" NPT) |
| 8 | 103115 | 1 | • • FITTING, Brass tank (T68-5B, 0.25" NPT) |
| 9 | 144392 | 1 | • • VALVE, Dual action |
| 10 | 117701 | 1 | • • PLUG, Tank - magnetic (0.75"-16 UNF) |
| 11 | 103910 | 4 | • BOLT, Hex head (0.50"-13 x 1.25" gr 8) |
| 12 | 126286 | 4 | • WASHER, Lock (0.50" gr 8) |
| 13 | 104379 | 4 | • WASHER, Flat (0.50" hard) |

4.11 Brake Manifold

| Index No. | Skyjack Part No. | Qty. | Description |
|-----------|------------------|------|--|
| - | 198368 | 1 | BRAKE MANIFOLD |
| 1 | 211703 | 1 | • BLOCK, Manifold |
| 2 | 211704 | 1 | • VALVE, Pressure reducing |
| 3 | 703725 | 1 | • GAUGE, 1000 psi |
| 4 | 159827 | 4 | • VALVE, Solenoid Cartridge |
| 5 | 113752 | 1 | • VALVE, Auto reset |
| 6 | 159831 | 1 | • PUMP, Hand |
| 7 | 171413 | 1 | • VALVE, Check |
| 8 | 166053 | 1 | • VALVE, Shuttle |
| 9 | 166054 | 1 | • VALVE, Shuttle |
| 10 | 171420 | 1 | • ORIFICE, Disk (0.073" dia) |
| 11 | 141414 | 1 | • VALVE, Shuttle |
| 12 | 103069 | 1 | • FITTING, Straight (06JICM-06ORBM) |
| 13 | 121250 | 4 | • FITTING, Plug (04ORBM) |
| 14 | 104437 | 4 | • FITTING, Plug (06ORBM) |
| 15 | 128869 | 2 | • FITTING, Straight (06JICM-04ORBM) |
| 16 | 701956 | 2 | • FITTING, Straight (04JICM-06ORBM) |
| 17 | 114578 | 1 | • FITTING, Elbow 90° (06JICM-06ORBM) |
| 18 | 113348 | 1 | • FITTING, Elbow 90° (06JICM-04ORBM) |
| 19 | 126128 | 2 | • FITTING, Straight (04JICM-04ORBM) |
| 20 | 144728 | 1 | • FITTING, Elbow 90° (04NPTM-04JICFSW) |

4.15 Base Controls

| Index No. | Skyjack Part No. | Qty. | Description |
|-----------|------------------|------|---|
| 21 | 138749 | 19 | • SOCKET, Relay, A, B, C |
| | 138749 | 21 | • SOCKET, Relay, D |
| 22 | 127131 | 19 | • RELAY, 12V 40 AMP, A, B, C |
| | 127131 | 19 | • RELAY, 12V 40 AMP, D |
| 23 | 138751 | 3 | • HOUSING, Open bottom - 24 pole levered |
| 24 | 138756 | 2 | • SOCKET, 24 Pole spring 16A |
| 25 | 138755 | 1 | • PLUG, 24 pole spring 16A |
| 26 | 103056 | 1 | • BEEPER, 7.5 - 16 VDC |
| 27 | 146652 | 1 | • HORN, Low tone - 12V |
| 28 | (Ref.) | 1 | • LABEL ASSEMBLY, Base controls (For components, refer to 10.2 Labels - Controls Side) |
| 29 | 218340 | 1 | • WIRING DIAGRAM, Base (not shown), A |
| | 218341 | 1 | • WIRING DIAGRAM, Base (not shown), B |
| | 198355 | 1 | • WIRING DIAGRAM, Base (not shown), C |
| | 224593 | 1 | • WIRING DIAGRAM, Base (not shown), D |
| | 102921 | 14 | • • DIODE, T6A40L |
| | 129258 | 1 | • • DIODE, 1N4007, D |
| | 139088 | 1 | • • RESISTOR, 6 ohm 25 W |
| | 171987 | 2 | • • RESISTOR, 1 ohm 1/4 W |
| | 110999 | 1 | • • RESISTOR, 5 ohm 25 W |
| | 168783 | 1 | • • RESISTOR, 4 ohm 25 W, B |
| | 114523 | 1 | • • RESISTOR, 7 ohm 25 W |
| 30 | 167280 | 1 | • MODULE, Dual capacity sensing |
| 31 | 171502 | 1 | • LIGHT, Indicator - 14 V amber |
| 32 | 195940 | 1 | • HOUR METER, A, B |
| | 170787 | 1 | • HOUR METER/COUNTER, C, D |
| 33 | 164831 | 1 | • LIGHT, Indicator - 12 V green |
| 34 | 115649 | 4 | • NUT, Lock (0.25"-20 gr 5 nylon), A, C |
| | 115649 | 6 | • NUT, Lock (0.25"-20 gr 5 nylon), B |
| 35 | 126499 | 2 | • SCREW, Round head machine (8-32 x 0.875") |
| 36 | 103957 | 18 | • SCREW, Round head machine (8-32 x 0.50") |
| 37 | 138765 | 20 | • NUT, Lock (8-32 gr 5 nylon) |
| 38 | 112327 | 7 | • BOLT, Self-tapping (#8-18 x 0.50"), A, C |
| | 112327 | 10 | • BOLT, Self-tapping (#8-18 x 0.50"), B |
| 39 | 103991 | 7 | • WASHER, Flat (#8), A, C |
| | 103991 | 8 | • WASHER, Flat (#8), B |
| 40 | 133133 | 3 | • LIGHT, Indicator - 12 V amber |
| 41 | 139127 | 4 | • PLUG, Hole (0.50" dia), A, C, D |
| | 139127 | 2 | • PLUG, Hole (0.50" dia), B |
| | 164832 | 1 | • LIGHT, Indicator - 12 V red, B |

5.2 Rotary Manifold

| Index No. | Skyjack Part No. | Qty. | Description |
|-----------|------------------|------|--|
| - | 198183 | 1 | ROTARY MANIFOLD |
| 1 | 138956 | 1 | • SPACER, Rotary manifold |
| 2 | 199546 | 1 | • SWITCH, Limit - roller plunger (7 m) |
| 3 | 212939 | 1 | • WASHER, Flat (0.50" hard) |
| 4 | 103904 | 1 | • BOLT, Hex head (0.50"-13 x 2.00" gr 5) |
| 5 | 103999 | 4 | • WASHER, Lock (0.375") |
| 6 | 103472 | 4 | • WASHER, Flat (0.375") |
| 7 | 103473 | 4 | • BOLT, Hex head (0.375"-16 x 1.00" gr 5) |
| 8 | 103958 | 2 | • SCREW, Round head machine (8-32 x 0.75") |
| 9 | 112249 | 2 | • WASHER, Lock (#8) |
| - | 198437 | 1 | • ROTARY MANIFOLD ASSEMBLY |
| 10 | 149380 | 1 | • • MANIFOLD, Rotary (10 ports) |
| | 154659 | 1 | • • • SEAL KIT, Rotary manifold |
| 11 | 168654 | 1 | • • FITTING, Elbow 90° (12FSM-12 ORBM) |
| 12 | 147535 | 2 | • • FITTING, Straight (10JICM-08ORBM) |
| 13 | 125883 | 3 | • • FITTING, Elbow 90° (06MJ-04MB) |
| 14 | 149175 | 3 | • • FITTING, Elbow 45° (12ORFSM-12ORBM) |
| 15 | 128869 | 7 | • • FITTING, Straight (06JIC-04ORBM) |
| 16 | 702761 | 2 | • • FITTING, Elbow 90° (06JICM-06JICFSW) |
| 17 | 132463 | 1 | • • FITTING, Tee (04MJ-04MB0-4MJ) |
| 18 | 139171 | 2 | • • FITTING, Plug - hex (06NPTM) |
| 19 | 701478 | 2 | • • FITTING, Elbow 45° (06JICM-04ORBM) |
| 20 | 126128 | 1 | • • FITTING, Straight (04JIC-04ORBM) |
| 21 | 161083 | 5 | • • FITTING, Elbow 45° (06JICM-06JICFS) |

5.6 Hub Reduction - Front Axle

| Index No. | Skyjack Part No. | Qty. | Description |
|-----------|------------------|------|---|
| | | | <i>Parts list continued from the previous page.</i> |
| 35 | 141033 | 4 | • BOLT, Countersunk |
| 36 | 168278 | 16 | • STUD |
| 37 | 923918 | 16 | • NUT |
| - | 170833 | 2 | • KIT, Ring gear support |
| 38 | 168280 | 2 | • • SUPPORT, Ring gear |
| 39 | 168281 | 2 | • • GEAR, Ring |
| 40 | 920728 | 2 | • • CIRCLIP |
| - | 141017 | 4 | • BOLT, Steering adjust |
| 41 | 141015 | 1 | • • NUT |
| 42 | 141016 | 1 | • • BOLT |
| 43 | 923919 | 2 | • PLATE, Locking |
| 44 | 170834 | 1 | • SHIM KIT |
| 45 | 140970 | 2 | • O-RING |
| 46 | 170835 | 8 | • STUD |
| 47 | 170836 | 5 | • NUT |

5.13 Hub Reduction - Rear Axle

| Index No. | Skyjack Part No. | Qty. | Description |
|-----------|------------------|------|---------------------------------|
| - | 170883 | 1 | HUB REDUCTION - Rear Axle |
| 1 | 170884 | 1 | • CASE, Axle |
| 2 | 927332 | 8 | • WASHER |
| 3 | 923901 | 24 | • BOLT |
| 4 | 170885 | 2 | • SHAFT, Half |
| 5 | 170886 | 2 | • SEAL |
| 6 | 170887 | 2 | • RING |
| 7 | 154631 | 2 | • SEAL |
| 8 | 925239 | 4 | • BEARING, Taper roller |
| 9 | 170808 | 20 | • STUD, Wheel |
| 10 | 170888 | 2 | • HUB, Wheel |
| 11 | 925533 | 2 | • O-RING |
| 12 | 140889 | 2 | • CARRIER ASSEMBLY, Planet gear |
| 13 | 922522 | 6 | • • RING, Snap |
| 14 | 168282 | 6 | • • GEAR, Planet |
| 15 | 922523 | 6 | • • BEARING |
| 16 | 170890 | 2 | • • CARRIER, Planet gear |
| 17 | 141037 | 2 | • • WASHER, Friction |
| 18 | 168258 | 4 | • PLUG |
| 19 | 141033 | 4 | • BOLT, Countersunk |
| 20 | 923918 | 16 | • NUT |
| 21 | 168278 | 16 | • STUD |
| 22 | 923919 | 2 | • PLATE, Locking |
| 23 | 170833 | 2 | • SUPPORT ASSEMBLY, Ring gear |
| 24 | 168280 | 2 | • • SUPPORT, Ring gear |
| 25 | 168281 | 2 | • • GEAR, Ring |
| 26 | 920728 | 2 | • • CIRCLIP |
| 27 | 154600 | 2 | • PLUG, Magnetic |
| 28 | 170836 | 5 | • NUT |
| 29 | 170891 | 8 | • STUD |
| 30 | 170858 | 2 | • O-RING |
| 31 | 168256 | 2 | • PLUG |
| 32 | 170892 | 2 | • WASHER |
| 33 | 170893 | 2 | • PLUG |

CLICK HERE TO **DOWNLOAD** THE COMPLETE MANUAL

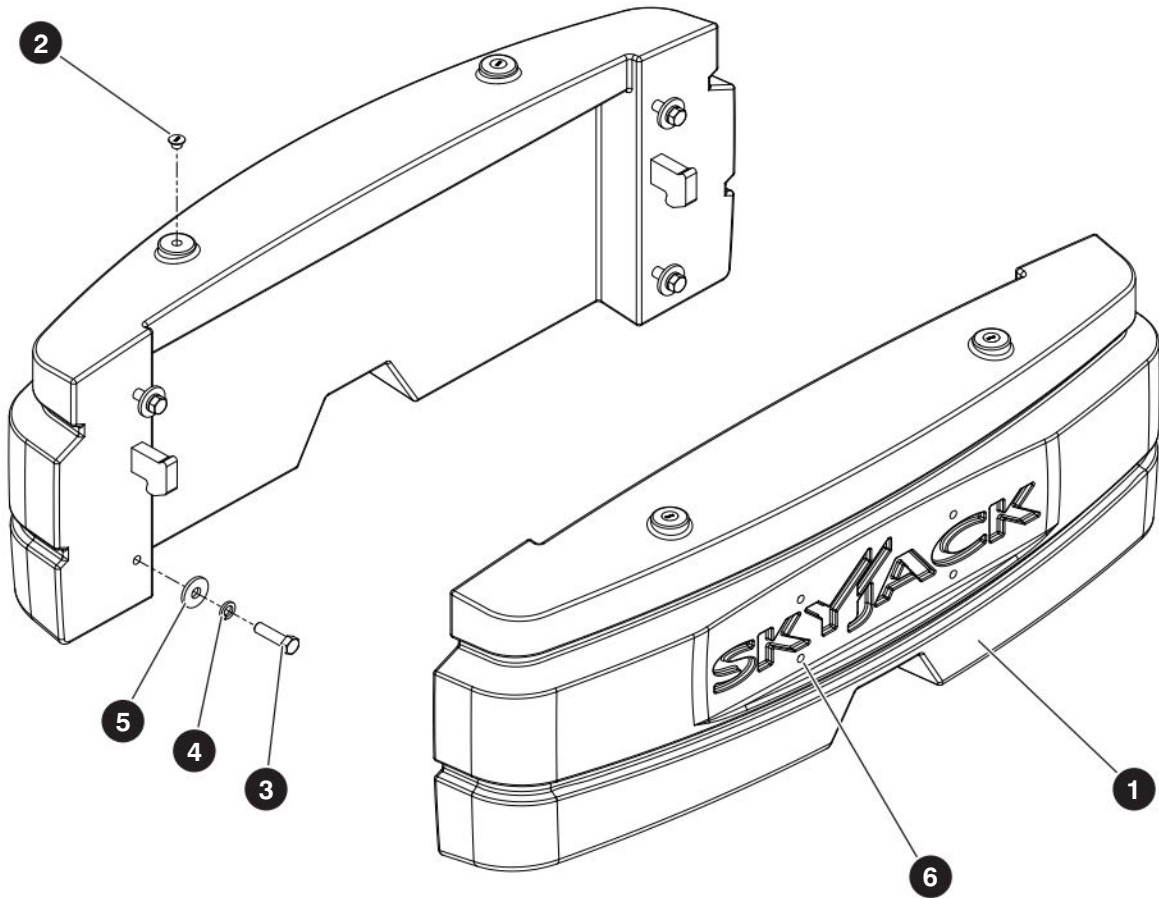
- Thank you very much for reading the preview of the manual.
- You can download the complete manual from: www.heydownloads.com by clicking the link below



- Please note: If there is no response to CLICKING the link, please download this PDF first and then click on it.

CLICK HERE TO **DOWNLOAD** THE COMPLETE MANUAL

5.19 Counterweight - Base



M198490AD

| Index No. | Skyjack Part No. | Qty. | Description |
|-----------|------------------|------|--|
| A | 212854 | 1 | CHASSIS COUNTERWEIGHT - ANSI/CSA & AS |
| B | 198490 | 1 | CHASSIS COUNTERWEIGHT - CE |
| 1 | 212855 | 2 | • COUNTERWEIGHT, Chassis, A |
| | 198067 | 2 | • COUNTERWEIGHT, Chassis, B |
| 2 | 144105 | 4 | • PLUG, Threaded hole (0.75") |
| 3 | 212320 | 8 | • BOLT, Hex head (0.75"-10 x 3.00" gr 8) |
| 4 | 104002 | 8 | • WASHER, Lock (0.75") |
| 5 | 146983 | 8 | • WASHER, Counterweight |
| 6 | 197516 | 8 | • PLUG, Tapered (0.375") |

6.2 Air Intake - Deutz TD2.9L

| Index No. | Skyjack Part No. | Qty. | Description |
|-----------|------------------|------|--|
| - | 198064 | 1 | AIR INTAKE, Deutz TD2.9L |
| 1 | 198065 | 1 | • SHROUD, Deutz TD2.9L |
| 2 | 163243 | 1 | • CLEANER, AIR - E300 |
| | 165949 | 1 | • • ELEMENT, Primary |
| | 165950 | 1 | • • ELEMENT, Secondary |
| | 194405 | 1 | • • CAP, Air cleaner |
| 3 | 163245 | 1 | • BRACKET, Air cleaner |
| 4 | 163248 | 1 | • CONNECTOR, 90° |
| 5 | 198073 | 1 | • TUBE, Air intake |
| 6 | 163249 | 1 | • CONNECTOR, 90° |
| 7 | 163250 | 1 | • INDICATOR, Service |
| 8 | 163193 | 4 | • CLAMP, Gear (2.063" - 3.00") |
| 9 | 106049 | 2 | • BOLT, Carriage (0.3125"-18 x 1.25" gr 5) |
| 10 | 103984 | 2 | • NUT, Lock (0.31"-18 gr B) |
| 11 | 103856 | 6 | • BOLT, Hex head (0.25"-20 x 0.75" gr 5) |
| 12 | 104000 | 6 | • WASHER, Lock (0.25") |
| 13 | 103996 | 2 | • WASHER, Flat (0.31") |
| 14 | 103995 | 6 | • WASHER, Flat (0.25) |
| 15 | 137625 | 4" | • TRIM, Rubber |
| 16 | 137625 | 36" | • TRIM, Rubber |
| 17 | 137625 | 4" | • TRIM, Rubber |

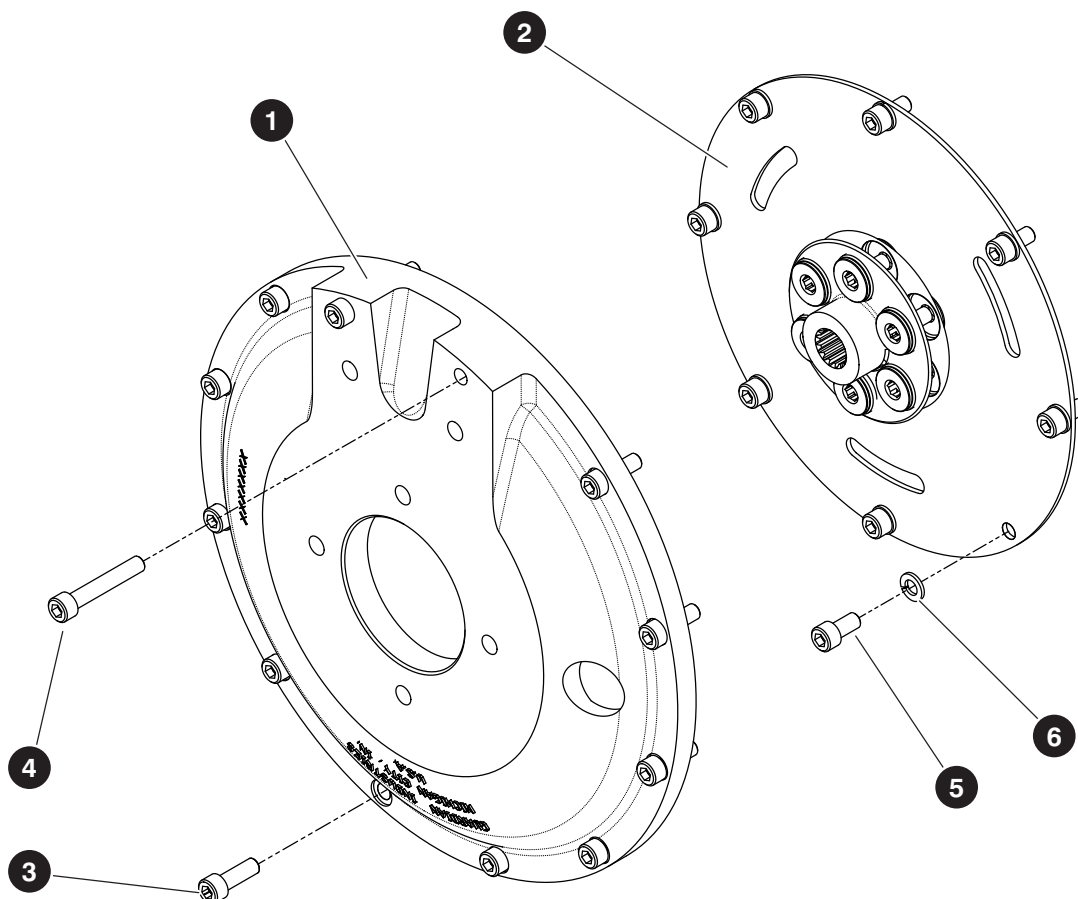
6.5 Radiator - Deutz TCD2.2

| Index No. | Skyjack Part No. | Qty. | Description |
|---|------------------|------|--|
| <i>The parts list continues from the previous page.</i> | | | |
| 24 | 206960 | 1 | • • HOSE, Compensation |
| 25 | 230697 | 1 | • • HOSE, Coolant - lower |
| 26 | 206968 | 1 | • • HOSE (1/4" x 12") |
| 27 | 224582 | 1 | • • PIPING, Charge air - lower |
| 28 | 232513 | 1 | • • ELBOW, CAC |
| 29 | 232511 | 1 | • • BRACKET, Right |
| 30 | 232512 | 1 | • • BRACKET, Left |
| 31 | 230699 | 1 | • • BRACKET, Center |
| 32 | 224580 | 2 | • • ISOLATOR |
| 33 | 232514 | 1 | • • PLATE, Retaining |
| 34 | 230698 | 1 | • • SLEEVE, Rubber |
| 35 | 206966 | 2 | • • FITTING, Hose barb (90° 1/4" NPT) |
| 36 | 165058 | 1 | • SENSOR, Coolant level |
| 37 | 102519 | 5 | • CLAMP, Hose (3/8") |
| 38 | 133222 | 5 | • CLAMP, Hose (2") |
| 39 | 142415 | 2 | • CLAMP, Hose (1-1/4") |
| 40 | 231321 | 2 | • BRACKET, Baffle plate |
| 41 | 133174 | 2 | • BOLT, Hex head (M8 x 1325 x 16 mm, gr 8.8) |
| 42 | 133232 | 4 | • WASHER, Flat (M8) |
| 43 | 933696 | 2 | • NUT, HEx head (M8-1.25, gr 5) |
| 44 | 103864 | 2 | • BOLT, Hex head (5/16"-18 x 3/4") |
| 45 | 103996 | 2 | • WASHER, Flat (5/16") |
| 46 | 103404 | 2 | • WASHER, Lock (5/16") |
| 47 | 166164 | 4 | • WASHER, Flat (5/16") |

6.9 Engine - Kubota WG3800

| Index No. | Skyjack Part No. | Qty. | Description |
|---|------------------|------|---|
| Parts list continued from the previous page. | | | |
| - | 198182 | 1 | • KUBOTA WG3800 ENGINE ACCESSORIES |
| - | 212496 | 1 | • • VAPORIZER ASSEMBLY |
| 33 | 212476 | 1 | • • • BRACKET, Vaporizer |
| 34 | 121758 | 4 | • • • WASHER, Lock (M6) |
| 35 | 933834 | 4 | • • • WASHER, Flat (M6) |
| 36 | 600723 | 3 | • • • BOLT, Hex head cap screw (M6-1.0 x 10 gr 8.8) |
| 37 | 165927 | 3 | • • • MOUNT, Vibration damping (M6) |
| 38 | 170399 | 1 | • • • PLATE, Vaporizer |
| 39 | 800354 | 1 | • • • NUT, Hex (M6) |
| 40 | 143478 | 1 | • • • FITTING, Nipple (04NPTM - 2 LG brass) |
| 41 | 103164 | 1 | • • • FITTING, 90° (04 NPTF - 04 NPTM brass) |
| 42 | 103159 | 1 | • • • FITTING, 45° (06JICM-04NPTM brass) |
| 43 | 165930 | 11" | • • HOSE, Vapor (0.375") |
| 44 | 800354 | 7 | • • NUT, Hex (M6) |
| 45 | 933834 | 5 | • • WASHER, Flat (M6) |
| 46 | 104608 | 5 | • • BOLT, Hex head patch (M6-1.00 x16.00 mm gr 5) |
| 47 | 121758 | 8 | • • WASHER, Lock (M6) |
| 48 | 103320 | 6 | • • CLAMP, Gear (SAE #16) |
| 49 | 198424 | 1 | • • PLATE, Fuse box |
| 50 | 925229 | 25" | • • HOSE, Bulk (0.625") |
| 51 | 925229 | 30" | • • HOSE, Bulk (0.625") |
| 52 | 168707 | 1 | • • CLAMP, Loop - cushioned (#16) |
| 53 | 198400 | 1 | • • FAN, Multiwing |
| 54 | 116218 | 1 | • • WASHER, Lock (M8) |
| 55 | 121059 | 1 | • • NUT, Hex head (M8-1.25 gr 5) |
| 56 | 933832 | 1 | • • WASHER, Flat (M8) |
| 57 | 198347 | 1 | • • HARNESS, Alternator |
| | 165031 | 1 | • • • FUSE, Bolt-down - 100A |
| 58 | 198346 | 1 | • • HARNESS, Power relay |
| 59 | (Ref.) | 1 | • EXHAUST ASSEMBLY (For components, refer to 6.12 Exhaust - Kubota WG3800) |
| - | 197690 | 1 | • ENGINE MOUNTS ASSEMBLY |
| 60 | 198144 | 1 | • • MOUNT, Rear left |
| 61 | 198152 | 1 | • • MOUNT, Front left |
| 62 | 198153 | 1 | • • MOUNT, Front right (not shown) |
| 63 | 198095 | 1 | • • MOUNT, Rear right (not shown) |
| 64 | 163028 | 4 | • • MOUNT, Vibration |
| Parts list continued on the next page. | | | |

6.14 Engine Coupling - Kubota



M198176AB

| Index No. | Skyjack Part No. | Qty. | Description |
|-----------|------------------|------|---|
| - | 198176 | 1 | ENGINE COUPLING ASSEMBLY - Kubota |
| - | 197697 | 1 | • BELL HOUSING |
| 1 | 211815 | 1 | • • HOUSING |
| 2 | 211816 | 1 | • • COUPLING, Flywheel |
| 3 | 198180 | 10 | • BOLT, Socket head cap screw (M10 x 1.25 x 30 mm, gr 12.9) |
| 4 | 198422 | 2 | • BOLT, Socket head cap screw (M10 x 1.25 x 60 mm, gr 12.9) |
| 5 | 198421 | 8 | • BOLT, Socket head cap screw (M10 x 1.25 x 20 mm, gr 12.9) |
| 6 | 132497 | 8 | • WASHER, Lock (M10) |

7.1 Main Harness

| Index No. | Skyjack Part No. | Qty. | Description |
|-----------|------------------|------|--|
| - | 198221 | 1 | MAIN WIRING HARNESS |
| - | 198133 | 1 | • MAIN MANIFOLD HARNESS |
| 1 | 138753 | 1 | • • HOOD, Side - 24 pole |
| 2 | 138754 | 1 | • • RELIEF, Strain (M32 x 1.5) |
| 3 | 138755 | 1 | • • PLUG, Spring - 24 pole |
| 4 | 117597 | 19 | • • PLUG, Deutsch |
| 5 | 117591 | 38 | • • SOCKET, Deutsch |
| 6 | 117599 | 19 | • • WEDGE, Deutsch |
| 7 | 102936 | 1 | • • TERMINAL, Ring (#10) |
| 8 | 300772 | 1 | • • TERMINAL, Female (14-16 ga 90°) |
| 9 | 102972 | 1 | • CLAMP, Double loop - cushion (G08) |
| 10 | 144129 | 1 | • CLAMP, Loop - cushion (#10, 0.53" mount) |
| 11 | 101632 | 2 | • BOLT, Hex head (0.375"-16 x 0.75" gr 5) |
| 12 | 103999 | 2 | • WASHER, Lock (0.375") |
| 13 | 103472 | 2 | • WASHER, Flat (0.375") |
| - | 198134 | 1 | • FUEL HARNESS |
| 14 | 117597 | 1 | • • PLUG, Connector - 2-pin |
| 15 | 117599 | 1 | • • WEDGE, Connector plug - 2-pin |
| 16 | 117590 | 2 | • • SOCKET, Connector contact (16/18 ga) |

7.5 Engine Harness - Deutz TCD2.2

| Index No. | Skyjack Part No. | Qty. | Description |
|-----------|------------------|------|------------------------------------|
| 47 | 224610 | 7 | • CONNECTOR, Socket - receptacle |
| 48 | 224611 | 1 | • CONNECTOR, Housing (2 pin) |
| 49 | 224612 | 2 | • CONNECTOR, Contact (pin, 18 AWG) |
| 50 | 224613 | 2 | • CONNECTOR, Seal (18 AWG) |

8.3 Hydraulic Hoses – Turret

| Index No. | Hose P/N | From | | To | |
|-----------|------------------|---|---|------|-------------------------|
| | | Description | Port | Port | Description |
| - | 198206 | TURRET HOSE KIT | | | |
| 1 | H3106 0062 0 | Brake Manifold | AL | 2 | Rotary Manifold |
| 2 | H3404 0022 0 | Brake Manifold | LS | BLS | Main Manifold |
| 3 | H3210 0045 0 | Rotary Manifold | 9 | T5 | Hydraulic Tank |
| 4 | H3106 0031 0 | Main Manifold | SB | 5 | Rotary Manifold |
| 5 | H3106 0037 0 | Main Manifold | SA | 1 | Rotary Manifold |
| 6 | H3406 0070 0 | Brake Manifold | D | 10 | Rotary Manifold |
| 7 | H3206 0026 0 | E-Pump | OUT | P2 | Main Manifold |
| 8 | H3212 0035 0 | High Pressure Filter | OUT | P1 | Main Manifold |
| 9 | H3406 0030 0 | E-Pump | IN | T | Brake Manifold |
| 10 | H3408 0019 0 | E-Pump | IN | T3 | Hydraulic Tank |
| 11 | H3406 0085 0 | Brake Manifold | BR | 4 | Rotary Manifold |
| 12 | H3506 0065 0 | Brake Manifold | 2SPD | 6 | Rotary Manifold |
| 13 | H3506 0049 0 | Swing Drive | RB | RB | Main Manifold |
| 14 | H3506 0049 0 | Swing Drive | RA | RA | Main Manifold |
| 15 | H3116 0028 0* | Main Manifold | T | IN | Hydraulic Return Filter |
| | | *This hose is not included in the turret hose kit and must be ordered separately. | | | |
| Index No. | Skyjack Part No. | Qty. | Description | | |
| 16 | 131732 | 60" | SLEEVE, Nylon hose protection - HG-46 (not shown) | | |
| 17 | 171444 | 60" | Wrap, Spiral (1.00" dia) (not shown) | | |
| 18 | 163418 | 60" | SLEEVE, Nylon hose protection - HG-64 (not shown) | | |

8.9 Fuel Lines – Propane - Kubota WG3800

| Index No. | Skyjack Part No. | Qty. | Description |
|-----------|------------------|------|--|
| - | 198196 | 1 | SINGLE PROPANE TANK - Kubota WG3800 |
| 1 | 152265 | 1 | <ul style="list-style-type: none"> • HOSE, Propane (45 SAE x 84") • HOSE, Propane (45 SAE x 103") • PROPANE TANK ASSEMBLY & FITTINGS - Single tank (For components, refer to 5.20 Propane Tanks) |
| 2 | 144327 | 1 | |
| 3 | (Ref.) | 1 | |
| - | 198491 | 1 | DUAL PROPANE TANK - Kubota WG3800 |
| 1 | 211859 | 1 | <ul style="list-style-type: none"> • HOSE, Propane (45 SAE x 53") • HOSE, Propane (45 SAE x 50") • HOSE, Propane (45 SAE x 25") • HOSE, Propane (45 SAE x 103") • PROPANE TANK ASSEMBLY & FITTINGS - Dual tanks (For components, refer to 5.20 Propane Tanks) |
| 2 | 211858 | 1 | |
| 3 | 211857 | 1 | |
| 4 | 144327 | 1 | |
| 5 | (Ref.) | 1 | |

9.4 Generator - 3.5 kW

| Index No. | Skyjack Part No. | Qty. | Description |
|-----------|------------------|------|--|
| A | 168699 | 1 | GENERATOR ASSEMBLY - 3.5 kW 60Hz - ANSI/CSA |
| B | 167122 | 1 | GENERATOR ASSEMBLY - 3.5 kW 50Hz - CE |
| 1 | 167118 | 1 | • BRACKET, Generator mounting |
| - | 166448 | 1 | • GENERATOR, 3.5kW - 60Hz, A |
| - | 166450 | 1 | • GENERATOR, 3.5kW - 50Hz, B |
| 2 | 171419 | 1 | • • MOTOR, Hydraulic - 5 cc |
| 3 | 197773 | 1 | • • ALTERNATOR, Generator - 60 Hz, A |
| - | 197774 | 1 | • • ALTERNATOR, Generator - 50 Hz, B |
| 4 | 197775 | 1 | • • CORD, GFI (not shown) |
| 5 | 117325 | 1 | • • BREAKER, Circuit - 15 amp |
| 6 | 162508 | 1 | • • BOOT, Circuit breaker |
| - | 168618 | 1 | • • MANIFOLD, Generator - 3.5 kW |
| 7 | 197769 | 1 | • • • BLOCK, Manifold |
| 8 | 168056 | 1 | • • • VALVE, Solenoid |
| 9 | 168057 | 1 | • • • COIL, Solenoid |
| 10 | 171450 | 1 | • • • VALVE, Flow control |
| 11 | 197770 | 1 | • • • VALVE, Check |
| 12 | 710508 | 1 | • • • FITTING, Plug hollow hex (06ORB) |
| 13 | 103984 | 3 | • NUT, Hex head (0.312"-18, Grade 5) |
| 14 | 103996 | 6 | • WASHER, Flat (0.312") |
| 15 | 103472 | 4 | • WASHER, Flat (0.375") |
| 16 | 101632 | 4 | • BOLT, Hex head (0.375"-16 x 0.75", Grade 5) |
| 17 | 112532 | 3 | • BOLT, Hex head (0.312"-18 x 1.25", Grade 5) |
| 18 | 103999 | 4 | • WASHER, Lock (0.375") |

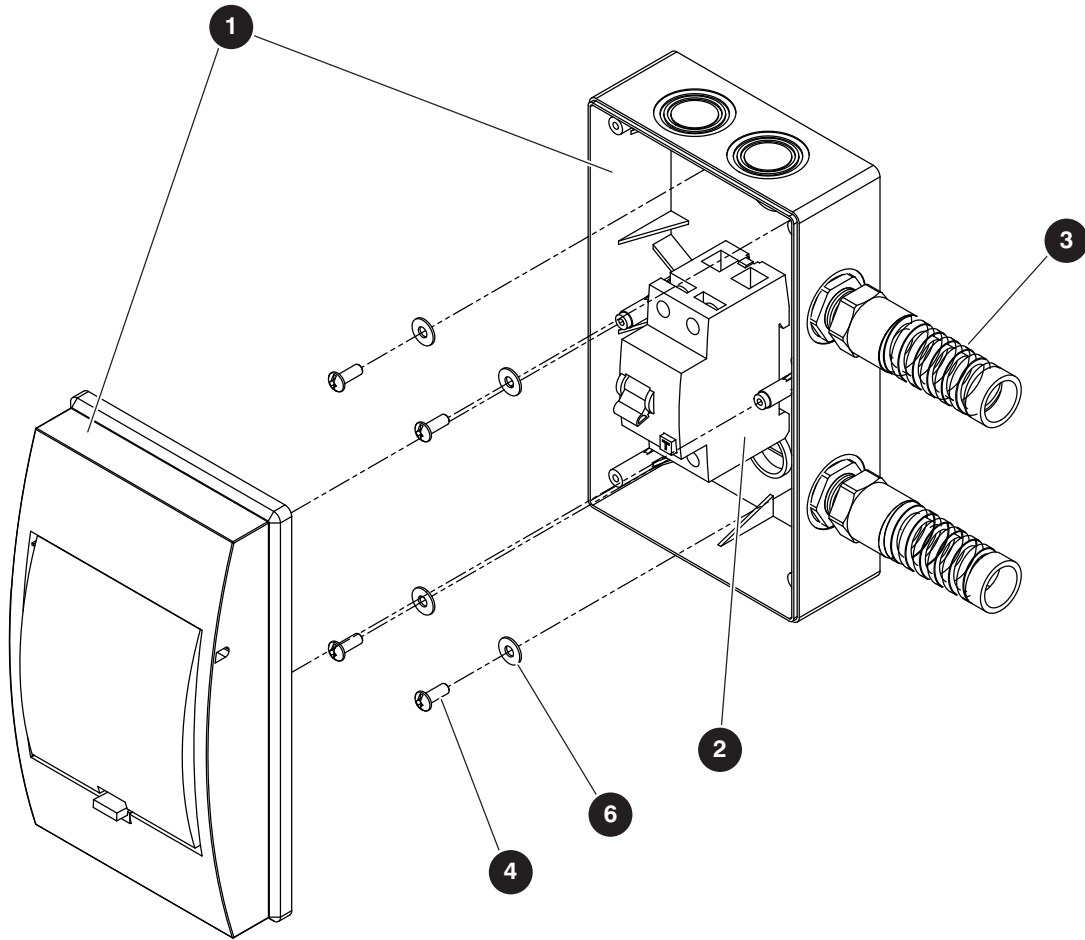
9.9 Generator and Oil Cooler Wiring

| Index No. | Skyjack Part No. | Qty. | Description |
|-----------|------------------|------|--|
| A | 198380 | 1 | GENERATOR & OIL COOLER WIRING - 3.5 kW & 7.5 kW generators |
| B | 198384 | 1 | GENERATOR & OIL COOLER WIRING - 12 kW generator |
| C | 166354 | 1 | OIL COOLER ONLY WIRING - No Generator |
| D | 198383 | 1 | GENERATOR WIRING - Platform control box |
| E | 166385 | 1 | GENERATOR WIRING - Base control box |
| 1 | 171441 | 1 | <ul style="list-style-type: none"> • HARNESS, Generator manifold, A, B |
| 2 | 148484 | 1 | <ul style="list-style-type: none"> • HARNESS, Cooler fan, A, B, C |
| 3 | 148485 | 1 | <ul style="list-style-type: none"> • HARNESS, Cooler temperature sensor, A, B, C |
| 4 | 144074 | 1 | <ul style="list-style-type: none"> • HARNESS, Oil cooler power, A, B, C |
| - | 198382 | 1 | <ul style="list-style-type: none"> • GENERATOR WIRE ASSEMBLY (Platform control console), D |
| 5 | 198381 | 1 | <ul style="list-style-type: none"> • • WIRE, Generator (04) |
| 6 | 115747 | 1 | <ul style="list-style-type: none"> • • SWITCH, Toggle |
| 7 | 144016 | 1 | <ul style="list-style-type: none"> • • SEAL, Panel bushing (Toggle switch) |
| - | 159937 | 1 | <ul style="list-style-type: none"> • GENERATOR WIRE ASSEMBLY (Base control console), E |
| 8 | 144085 | 1 | <ul style="list-style-type: none"> • • WIRE, Generator (85) |
| 9 | 159939 | 1 | <ul style="list-style-type: none"> • • WIRE, Generator (D85-2) |
| 10 | 137940 | 2 | <ul style="list-style-type: none"> • • BLOCK, Terminal (4 COND. - through), |
| 11 | 102921 | 1 | <ul style="list-style-type: none"> • • DIODE |
| 12 | 212869 | 1 | <ul style="list-style-type: none"> • OIL COOLER RELAY WIRE, A, B, C |
| 13 | 167126 | 1 | <ul style="list-style-type: none"> • WELDER POWER CABLE (1380") (not shown), B |
| 14 | 117326 | 1 | <ul style="list-style-type: none"> • BREAKER, Circuit 20 amp, A, B, C |
| 15 | 103041 | 2 | <ul style="list-style-type: none"> • CONNECTOR, Strain relief, A, B, C |
| 16 | 127131 | 1 | <ul style="list-style-type: none"> • RELAY, 12V 40amp, A, B, C |
| 17 | 144193 | 1 | <ul style="list-style-type: none"> • LABEL, Cooler relay 86CR, A, B, C |

9.13 SGM

| Index No. | Skyjack Part No. | Qty. | Description |
|-----------|------------------|------|--|
| - | 165945 | 1 | SGM ASSEMBLY (Secondary Guarding) |
| - | 166585 | 1 | • SGM ASSEMBLY |
| 1 | 166587 | 1 | • • WELDMENT, Structure, RH |
| 2 | 166589 | 1 | • • TUBE |
| 3 | 166586 | 1 | • • WELDMENT, Structure LH |
| 4 | 166588 | 1 | • • WELDMENT, Structure, Mid |
| 5 | 166708 | 2 | • • PIPE CLAMP KIT, 1.25" O.D. tube |
| 6 | 166603 | 8 | • • SHIM (0.063") |
| 7 | 166599 | 1 | • • BRACKET, Base, mount, LH |
| 8 | 166600 | 1 | • • BRACKET, Base, mount, RH |
| 9 | 103861 | 4 | • • BOLT, Hex head (1/4"-20 x 2.00", Grade 5) |
| 10 | 103995 | 16 | • • WASHER, Flat (1/4") |
| 11 | 115649 | 8 | • • NUT, Hex head nylon lock (1/4"-20, Grade 5) |
| 12 | 103857 | 4 | • • BOLT, Hex head (1/4"-20 x 1.00", Grade 5) |
| 13 | 112532 | 4 | • • BOLT, Hex head (5/16"-18 x 1.25", Grade 5) |
| 14 | 166164 | 16 | • • WASHER, Flat (5/16" USS) |
| 15 | 103984 | 8 | • • NUT, Hex head nylon lock (5/16"-18, Grade 5) |
| 16 | 103868 | 4 | • • BOLT, Hex head (5/16"-18 x 3.50", Grade 5) |
| 17 | 166829 | 4 | • • BOLT, Hex head (5/16"-18 x 2.75", Grade 5) |
| - | 166817 | 1 | • LABEL ASSEMBLY SGM |
| 18 | 137988 | 2 | • • LABEL, Crush/pinch hazard |
| 19 | 166790 | 1 | • • LABEL, Capacity reduction SGM (small) |
| 20 | 166811 | 1 | • • LABEL, Capacity reduction SGM |
| 21 | 166808 | 3 | • • LABEL, SGM (black/grey) |
| - | 165946 | 1 | • INSTALLATION INSTRUCTION, SGM (not shown) |

9.19 Residual Current Device (RCD)



M196064AB

| Index No. | Skyjack Part No. | Qty. | Description |
|-----------|------------------|------|---|
| - | 221811 | 1 | RESIDUAL CURRENT DEVICE (RCD) |
| 1 | 196027 | 1 | • ENCLOSURE, RCD |
| 2 | 168379 | 1 | • RCCB, Type A - Doepke DFS 2A |
| 3 | 158212 | 2 | • RELIEF, Strain (PG-13.5) |
| 4 | 103962 | 4 | • SCREW, Round head machine (10-32 x 0.50") |
| 5 | 117542 | 168" | • CABTIRE, 14/3 (not shown) |
| 6 | 117952 | 4 | • WASHER, Seal (0.203" ID x 0.50" OD x 0.40") |

9.25 Load Circuit

| Index No. | Skyjack Part No. | Qty. | Description |
|-----------|------------------|------|--|
| - | 216055 | 1 | LOAD CIRCUIT MANIFOLD KIT - ANSI/CSA Deutz TD2.9L with Arctic Package |
| - | 212851 | 1 | • LOAD CIRCUIT MANIFOLD |
| 1 | 170624 | 1 | • • BRACKET, Manifold |
| 2 | 194496 | 1 | • • MANIFOLD ASSEMBLY, Load circuit |
| | 194492 | 1 | • • • VALVE, Load circuit |
| | 194493 | 1 | • • • VALVE, Needle valve |
| | 194516 | 2 | • • • FITTING, Straight (08JIM-08JICFS) |
| | 149226 | 1 | • • • FITTING, 90° elbow (12JICM-08ORBM) |
| | 102665 | 1 | • • • FITTING, 90° elbow (06JICM-08ORBM) |
| | 194575 | 1 | • • • FITTING, Tee (08JICM-08JICM-08JICM) |
| | 706812 | 1 | • • F• ITTING, Straight (08JICF-04JICM) |
| 3 | 194872 | 1 | • • VALVE, Shuttle |
| | 138394 | 1 | • • • VALVE, Shuttle (04ORB) |
| | 148445 | 1 | • • • FITTING, Straight |
| | 126128 | 1 | • • • FITTING, Straight |
| | 125883 | 1 | • • • FITTING, 90° elbow (04JICM-04ORBM) |
| 4 | H510600200 | 1 | • • HOSE, Hydraulic - H51 (0.38"/100R17 x 20" lg) |
| 5 | H521200320 | 1 | • • HOSE, Hydraulic - H52 (0.75"/100R17 x 38" lg) |
| 6 | H540400340 | 1 | • • HOSE, Hydraulic - H54 (0.25"/100R17 x 34" lg) |
| 7 | 194712 | 1 | • • HARNESS, Load circuit |
| 8 | 196438 | 1 | • • WIRE KIT, Load circuit |
| | 127131 | 1 | • • • RELAY |
| | 138749 | 1 | • • • SOCKET |
| 9 | 194713 | 1 | • • SCHEMATIC, Wire kit (not shown) |
| 10 | 703413 | 1 | • • FITTING, Run tee (12JICM-12JICFS-12JICM) |
| 11 | 114578 | 1 | • • FITTING, 90° elbow (06JICM-06ORBM) |
| 12 | 103857 | 2 | • • BOLT, Hex head (0.25"-20 x 1.00" gr 5) |
| 13 | 103861 | 2 | • • BOLT, Hex head (0.25"-20 x 2.00" gr 5) |
| 14 | 103995 | 8 | • • WASHER, Flat (0.25" SAE) |
| 15 | 115649 | 4 | • • NUT, Lock (0.25"-20 gr 5) |
| 16 | 213014 | 1 | • INSTRUCTION, Load circuit installation (not shown) |

9.29 Elevate Telematics

| Index No. | Skyjack Part No. | Qty. | Description |
|-----------|------------------|------|--|
| A | 223028 | 1 | ELEVATE TELEMATICS WITH KEYPAD INSTALLATION KIT |
| B | 223029 | 1 | ELEVATE TELEMATICS WITHOUT KEYPAD INSTALLATION KIT |
| C | 223263 | 1 | ELEVATE TELEMATICS WITH KEYPAD REWORK KIT |
| D | 223264 | 1 | ELEVATE TELEMATICS WITHOUT KEYPAD REWORK KIT |
| | | | <i>The parts list is continued from the previous page.</i> |
| - | 221895 | 1 | • WIRING FIELD KIT, Elevate, C, D |
| 19 | 221896 | 1 | • • HARNESS, Elevate plug |
| 20 | 223262 | 1 | • • HARNESS, CAN/L long |
| 21 | 102702 | 17" | • • WIRE, Red |
| 22 | 221878 | 2 | • • WIRE ASSEMBLY, 57A/57B |
| 23 | 221873 | 1 | • • WIRE ASSEMBLY, D57D |
| 24 | 105267 | 4 | • • SPLICE, Butt (10-12 AWG insulated yellow vinyl) |
| 25 | 105360 | 2 | • • TERMINAL, Male (14-16 GA 1/4 insulated) |
| 26 | 137940 | 2 | • • BLOCK, Terminal - 4 cond through |
| 27 | 126808 | 2 | • • TERMINAL (14-18 GA 1/4 non-insulated) (not shown) |
| 28 | 116266 | 1 | • • CONNECTOR, Strain relief |
| 29 | 127131 | 1 | • • RELAY, 12 V 40 amp |
| 30 | 138749 | 1 | • • SOCKET, Automotive relay |
| 31 | 221150 | 1 | • • LABEL, 57DCR |
| 32 | 221894 | 1 | • • WIRE ASSEMBLY, CAN H+L connector (not shown) |
| 33 | 221111 | 1 | • INSTRUCTION, Operating - Elevate telematics (not shown), A, C |

CLICK HERE TO **DOWNLOAD** THE COMPLETE MANUAL

- Thank you very much for reading the preview of the manual.
- You can download the complete manual from: www.heydownloads.com by clicking the link below



- Please note: If there is no response to CLICKING the link, please download this PDF first and then click on it.

CLICK HERE TO **DOWNLOAD** THE COMPLETE MANUAL