



PARTS MANUAL

ARTICULATING BOOMS

MODEL **SJ63AJ**



167274AF November 2016

SKYJACK

CLICK HERE TO **DOWNLOAD** THE COMPLETE MANUAL

- Thank you very much for reading the preview of the manual.
- You can download the complete manual from: www.heydownloads.com by clicking the link below



- Please note: If there is no response to CLICKING the link, please download this PDF first and then click on it.

CLICK HERE TO **DOWNLOAD** THE COMPLETE MANUAL

Index No.	Skyjack Part No.	Qty.	Description
A	154293	-	RAILING ASSEMBLY (36" x 96")
B	154334	-	RAILING ASSEMBLY (36" x 72")
1	159581	1	• WELDMENT, Railing (Left/Front) A
	154319	1	• WELDMENT, Railing (Left/Front) B
2	159585	1	• WELDMENT, Railing (Right/Front) A
	154318	1	• WELDMENT, Railing (Right/Front) B
3	159583	1	• WELDMENT, Railing (Left/Back) A
	154321	1	• WELDMENT, Railing (Left/Back) B
4	159584	1	• WELDMENT, Railing (Right/Back) A
	154320	1	• WELDMENT, Railing (Right/Back) B
5	159586	1	• PLATE, Front guard
6	149098	1	• RAILING, Front
7	100702	8	• CAP, Plastic end
8	103865	4	• BOLT, Hex head (5/16"-18 x 2" Grade 5)
9	103632	4	• SCREW, Hex head self-tapping (1/4"-14 x 3/4")
10	103984	4	• NUT, Hex lock (5/16"-18 Grade 5, nylon)
11	103996	8	• WASHER, Flat (5/16")
12	700598	4	• WASHER, Fender
13	103865	12	BOLT, Hex head (5/16"-18 x 2" Grade 5)
14	103866	4	BOLT, Hex head (5/16"-18 x 2 1/4" Grade 5)
15	103984	16	NUT, Hex lock (5/16"-18 Grade 5, nylon)
16	103996	32	WASHER, Flat (5/16")
17	117293	1	MANUAL BOX
18	103856	4	BOLT, Hex head (1/4"-20 x 3/4" Grade 5)
19	103995	4	WASHER, Flat (1/4")
20	115649	4	NUT, Hex lock (1/4"-20 Grade 5, nylon)

Index No.	Skyjack Part No.	Qty.	Description
			Parts list continued from the previous page.
35	(Ref.)	1	<ul style="list-style-type: none"> • • TERMINAL STRIP, Platform (For components, refer to Section 1.8)
36	138749	6	<ul style="list-style-type: none"> • • SOCKET, Automotive relay
37	127131	5	<ul style="list-style-type: none"> • • RELAY, 12V (40 AMP) A D
		6	<ul style="list-style-type: none"> • • RELAY, 12V (40 AMP) B C
38	138751	2	<ul style="list-style-type: none"> • • HOUSING, Open bottom 24 pin levered
39	138756	1	<ul style="list-style-type: none"> • • SOCKET, 24 Pin spring (16A)
40	138755	1	<ul style="list-style-type: none"> • • PLUG, 24 Pin spring (16A)
41	103057	1	<ul style="list-style-type: none"> • • BEEPER, 4-28 VFC Slow pulsing
42	144387	1	<ul style="list-style-type: none"> • • ALARM, Continuous tone B C
43	138765	8	<ul style="list-style-type: none"> • • NUT, Hex lock (#8-32 Grade 5, nylon)
44	103957	8	<ul style="list-style-type: none"> • • SCREW, Round machine (#8-32 x 1/2")
45	115545	2	<ul style="list-style-type: none"> • • SCREW, Round machine (#10-32 x 3/8")
46	300450	2	<ul style="list-style-type: none"> • • NUT, Hex lock (#10-32 Grade 5, nylon)
47	115649	4	<ul style="list-style-type: none"> • • NUT, Hex lock (1/4"-20 Grade 5, nylon)
48	103859	4	<ul style="list-style-type: none"> • • BOLT, Hex head (1/4"-20 x 1 1/2" Grade 5)
49	128571	4	<ul style="list-style-type: none"> • • SLEEVE, Anti-vibration mount battery
50	104694	2	<ul style="list-style-type: none"> • • WASHER, Flat (#10)
51	104003	2	<ul style="list-style-type: none"> • • NUT, Hex (#10-32)
52	103855	2	<ul style="list-style-type: none"> • • BOLT, Hex head (1/4"-20 x 1/2" Grade 5)
53	103995	2	<ul style="list-style-type: none"> • • WASHER, Flat (1/4")
54	116266	1	<ul style="list-style-type: none"> • • CONNECTOR, Liquid tight (Heyco) B C
55	144264	2	<ul style="list-style-type: none"> • • PLUG, Snap in (9/32")
56	139128	2	<ul style="list-style-type: none"> • • SEAL, Hole (7/8") B C
57	103036	2	<ul style="list-style-type: none"> • • STRAIN RELIEF, Connector (1/2") A D
58	131938	2	<ul style="list-style-type: none"> • • PLUG, Snap in (1 1/8") A D
59	149402	1	<ul style="list-style-type: none"> • • HANDREST
60	103995	8	<ul style="list-style-type: none"> • WASHER, Flat (1/4")
61	115649	8	<ul style="list-style-type: none"> • NUT, Hex lock (1/4"-20 Grade 5, nylon)
62	103856	4	<ul style="list-style-type: none"> • BOLT, Hex head (1/4"-20 x 3/4" Grade 5)
63	(Ref.)	1	<ul style="list-style-type: none"> • HARNESS, Rotate select (For components, refer to Section 5.3)
64	154127	-	<ul style="list-style-type: none"> • PLATFORM FOOTSWITCH ASSEMBLY
65	700188	1	<ul style="list-style-type: none"> • • COVER, Footswitch
66	700187	1	<ul style="list-style-type: none"> • • FOOTSWITCH
67	139688	2	<ul style="list-style-type: none"> • • SCREW, Flat head machine (1/4"-20 x 1", Zinc)
68	130017	2	<ul style="list-style-type: none"> • • NUT, K-lock (#10-32, Zinc)
69	103891	4	<ul style="list-style-type: none"> • BOLT, Hex head (1/4"-20 x 7/8" Grade 5)
70	700598	4	<ul style="list-style-type: none"> • WASHER, Fender

2.1 Riser Boom (Continued)

Index No.	Skyjack Part No.	Qty.	Description
Parts list continued from the previous page.			
43	153689	1	• • PIN, (1 3/4" diameter x 13 3/4")
44	153869	2	• • PIN, (1 3/4" diameter x 8 11/16")
45	153927	2	• • PIN, (2" diameter x 11.313")
46	159859	2	• • BOLT, Hex head (3/8"-16 x 4 1/4" Grade 8)
47	(Ref.)	1	• LIMIT SWITCH ASSEMBLY, Riser boom (For components, refer to Section 2.4)
48	(Ref.)	1	• CYLINDER ASSEMBLY, Riser boom (For components, refer to Section 3.2)
49	(Ref.)	1	• HOSE ASSEMBLY, Riser boom (not shown) (For components, refer to Section 8.5)

2.4 Limit Switch Assemblies

Index No.	Skyjack Part No.	Qty.	Description
A	153854	1	LIMIT SWITCH ASSEMBLY, FLY BOOM
B	153855	1	LIMIT SWITCH ASSEMBLY, MAIN BOOM
C	153856	1	LIMIT SWITCH ASSEMBLY, RISER BOOM
1	160018	1	• LIMIT SWITCH, Adjustable lever A
	160017	1	• LIMIT SWITCH, Fixed lever B
	160016	1	• LIMIT SWITCH, Roller plunger C
2	103991	2	• WASHER, Flat (#8)
3	138765	2	• NUT, Hex lock (8-32 Grade 5, nylon)
4	112248	2	• SCREW, Round machine (#8-32 x 1") A
	162061	2	• SCREW, Round machine (#8-32 x 2") B
	154077	2	• SCREW, Round machine (#8-32 x 2 1/2") C
5	160015	1	• CORD, Switch (15m) (not shown) A
	160014	1	• CORD, Switch (10m) (not shown) B
	160013	1	• CORD, Switch (5.5m) (not shown) C
6	162087	2	• SPACER, Limit switch plate C
7	162088	1	• SHIM, Limit switch (18 GA) C

3.7 Fly Boom Extension Cylinder Assembly

Index No.	Skyjack Part No.	Qty.	Description
-	154251	-	CYLINDER ASSEMBLY, FLY BOOM EXTENSION
-	154207	1	• CYLINDER, Fly boom extension
1	160686	1	• • WELDMENT, Tube
2	160687	1	• • WELDMENT, Rod
3	160688	1	• • PISTON
4	160689	1	• • GLAND
5	160662	1	• • NUT, Rod
6	141453	2	• • VALVE, Counterbalance
7	160656	2	• • PLUG, Hex socket (7/16"-20 UNF-2B)
-	154214	1	• SUPPORT ASSEMBLY, Fly boom extension cylinder
8	154209	1	• • WELDMENT, Fly boom cylinder support
9	154212	2	• • WEAR PAD, Fly boom cylinder support (Top & bottom)
10	154213	2	• • WEAR PAD, Fly boom cylinder support (Side)
11	701621	4	• • SCREW, Flat head cap (3/8"-16 x 1 1/4" Grade 5)
12	101297	4	• • BOLT, Hex head (3/8"-16 x 1 1/4" Grade 5)
13	101632	4	• • BOLT, Hex head (3/8"-16 x 3/4" Grade 5)
14	104606	8	• • NUT, Hex lock (3/8"-16 Grade 5, nylon)
15	103999	4	• • WASHER, Lock (3/8")
16	162071	1	• FITTING, 90° (06JICM-06ORBM LL)
17	114583	1	• FITTING, 90° (08JICM-08ORBM)
K1	160690	1	SEAL KIT, Fly boom extension cylinder

4.3 Cowling Mounting - Controls Side

Index No.	Skyjack Part No.	Qty.	Description
-	154175	-	COWLING MOUNTING, CONTROLS SIDE
1	(Ref.)	1	<ul style="list-style-type: none"> • COWLING, Assembly (Controls Side) (For components, refer to Section 4.5)
2	162142	2	<ul style="list-style-type: none"> • WELDMENT, Hinge
4	159870	1	<ul style="list-style-type: none"> • BRACKET, Handle mounting
5	144015	1	<ul style="list-style-type: none"> • MOUNT, Anti-vibration
6	153882	1	<ul style="list-style-type: none"> • BRACKET, Standoff - LH cowling
7	159877	1	<ul style="list-style-type: none"> • BRACKET, Gas spring
8	159959	1	<ul style="list-style-type: none"> • GAS SPRING, Cowling
9	103999	10	<ul style="list-style-type: none"> • WASHER, Lock (3/8")
10	138834	4	<ul style="list-style-type: none"> • SCREW, Round machine (#10-24 x 3/4")
11	104694	4	<ul style="list-style-type: none"> • WASHER, Flat (#10)
12	126642	4	<ul style="list-style-type: none"> • NUT, Hex lock (#10-24 Grade 5, nylon)
13	103984	5	<ul style="list-style-type: none"> • NUT, Hex lock (5/16"-18 Grade 5, nylon)
14	103996	6	<ul style="list-style-type: none"> • WASHER, Flat (5/16")
15	125959	14	<ul style="list-style-type: none"> • WASHER, Flat hardened (3/8")
16	103983	2	<ul style="list-style-type: none"> • NUT, Hex jam (1/4"-20 Grade 5)
17	104606	2	<ul style="list-style-type: none"> • NUT, Hex lock (3/8"-16 Grade 5, nylon)
18	103404	1	<ul style="list-style-type: none"> • WASHER, Lock (5/16")
19	133216	4	<ul style="list-style-type: none"> • CARRIAGE BOLT, (5/16"-18 x 1" Grade 5)
20	101297	4	<ul style="list-style-type: none"> • BOLT, Hex head (3/8"-16 x 1 1/4" Grade 5)
21	103473	8	<ul style="list-style-type: none"> • BOLT, Hex head (3/8"-16 x 1" Grade 5)
22	138836	2	<ul style="list-style-type: none"> • BALL, Stud
23	162151	2	<ul style="list-style-type: none"> • BRACKET, Latch mounting
24	162136	2	<ul style="list-style-type: none"> • SUPPORT, Cowling
25	163397	4	<ul style="list-style-type: none"> • SCREW, Flat head hex (1/4"-20 x 1 1/4" Grade 5 Zinc)
26	103995	4	<ul style="list-style-type: none"> • WASHER, Flat (1/4")
27	115649	4	<ul style="list-style-type: none"> • NUT, Hex nylon lock (1/4"-20 Grade 5)

4.11 Brake Manifold

Index No.	Skyjack Part No.	Qty.	Description
-	153410	-	BRAKE MANIFOLD ASSEMBLY
-	153804	1	• VALVE ASSEMBLY, Brake control
1	159827	4	• • VALVE, Solenoid (2 position 3 way)
2	159828	1	• • VALVE, Relief
3	159829	1	• • VALVE, Pressure reducing
4	141436	1	• • VALVE, Brake release override
5	159812	1	• • VALVE, Load shuttle
6	159830	8	• • SCREW, Socket head cap (M8-5)
7	159831	1	• • PUMP, Hand
8	160644	3	• • PLUG, (SAE-4)
9	159832	1	• • MANIFOLD, Brake
10	703725	1	• GAUGE, 800 PSI
11	126128	6	• FITTING, Straight (04JICM-04ORBM)
12	103069	2	• FITTING, Straight (06JICM-06ORBM)
13	701956	1	• FITTING, Straight (04JICM-06ORBM)
14	144728	1	• FITTING, 90° (04NPTF-04JICF SW)
15	103996	2	• WASHER, Flat (5/16")
16	103404	2	• WASHER, Lock (5/16")
17	103869	2	• BOLT, Hex head (5/16"-18 x 4 1/2" Grade 5)

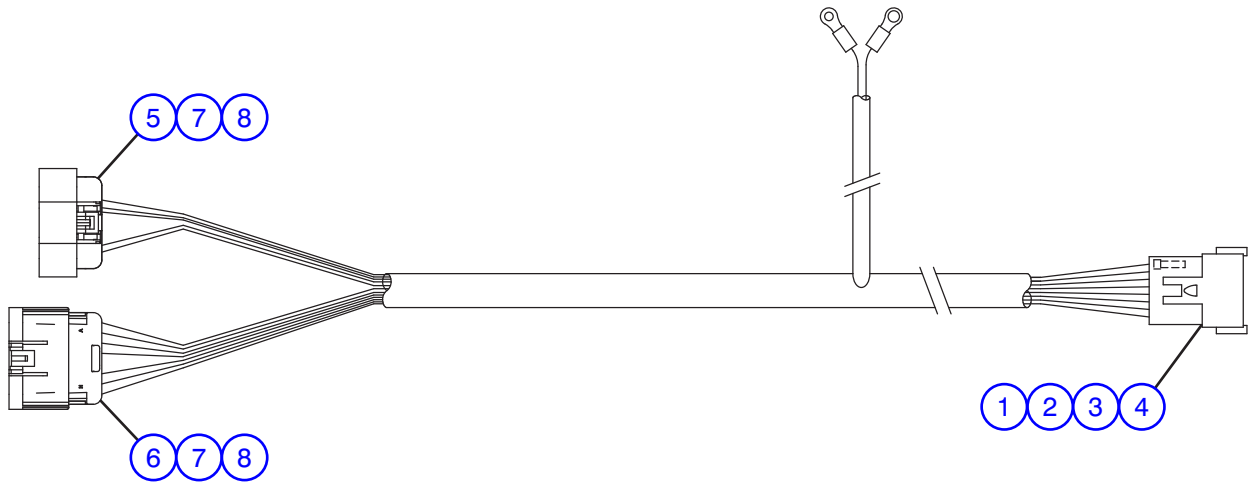
Index No.	Skyjack Part No.	Qty.	Description
A	154105	-	BASE CONTROL BOX (ANSI/CSA - Deutz D2011 engine)
B	166675	-	BASE CONTROL BOX (ANSI/CSA - Deutz TD2.9L engine)
C	154107	-	BASE CONTROL BOX (ANSI/CSA - GM engine)
D	154109	-	BASE CONTROL BOX (CE - Deutz D2011 engine)
E	170944	-	BASE CONTROL BOX (CE - Deutz TD2.9L engine)
F	154356	-	BASE CONTROL BOX (AS - Deutz D2011 engine)
1	149278	1	• CONTROL BOX, Base, A, C, D, F
	164931	1	• CONTROL BOX, Base, B, E
2	149279	1	• • BODY, Control box, A, C, D, F
	164932	1	• • BODY, Control box B, E
3	149281	1	• • HINGE, Continuous steel
4	149280	1	• • DOOR, Control box, A, C, D, F
	164933	1	• • DOOR, Control box B, E
5	149282	1	• • WEATHER STRIP, Cut
6	149437	2	• • FASTENER, 1/4 Turn
7	149320	2	• • RETAINER, 1/4 Turn fastener
8	149321	2	• • RECEPTACLE, 1/4 Turn fastener
9	149337	8	• • STUD, PEM (1/4"-20 x 1"), A, C, D, F
		2	• • STUD, PEM (1/4"-20 x 1"), B, E
10	149336	8	• • STUD, PEM (10-32 x 3/8"), A, C, D, F
11	165005	4	• • STUD, PEM (1/4"-20 x 5/8"), B, E
12	103336	1	• HOUR METER, A, C, D, F
	170787	1	• HOUR METER, B, E
13	102853	5	• SWITCH, Toggle, A, B, D, E, F
		4	• SWITCH, Toggle, C
14	138278	4	• SWITCH, Toggle
15	149426	1	• ANGLE TRANSDUCER, Dual axis
16	138277	1	• KEYSWITCH, 3 Position, A, C, F
	144366	1	• KEYSWITCH, 3 Position, D
	138137	1	• • KEY (#455)
	138136	1	• • NUT, Key switch
	164949	1	• KEYSWITCH, 3 Position, B
	165828	1	• KEYSWITCH, 3 Position, E
	147056	1	• • LATCH, Mounting
	166141	1	• • BLOCK, NO Contact (black plunger)
	166142	1	• • BLOCK, NC Contact (yellow plunger)
	149605	1	• • SWITCH HEAD, Selector, B
	165829	1	• • SWITCH HEAD, Selector, E
17	138767	1	• WASHER, Internal tooth (7/8" zinc)
18	144652	1	• SWITCH ASSEMBLY, E-Stop
19	147056	1	• • LATCH, Mounting
20	147229	1	• • LED BLOCK, Red (12V)
21	147053	1	• • BLOCK, NC Contact
22	147051	1	• • SWITCH HEAD, E-Stop
23	148972	1	• LIGHT, Pilot (Green), A, D, F
	164831	1	• LIGHT, Pilot (Green), B, E

Parts list continued on the following page.

5.1 Main Electrical Harness and Fuel Level Switch Harness

Index No.	Skyjack Part No.	Qty.	Description
A	153816	-	MAIN WIRING HARNESS
B	153941	-	FUEL LEVEL SWITCH HARNESS
1	138753	1	• HOOD, Side 24 pole (M32)
2	138754	1	• RELIEF, Strain (M32 x 1.5)
3	138755	1	• PLUG, 24 Pole spring (16A)
4	117597	20	• PLUG, Deutsch (2-pin) A
		1	• PLUG, Deutsch (2-pin) B
5	117591	40	• SOCKET, Deutsch (16/18 GA)
6	117599	20	• WEDGE, Deutsch (2-pin) A
		1	• WEDGE, Deutsch (2-pin) B
7	115401	21	• FERRULE, (18 GA)
8	138044	3	• FERRULE, (14 GA)
9	117590	2	• SOCKET, Contact (16/18 GA) B

5.10 Engine Interface Harness - GM Engine



M144265AD-PM

Index No.	Skyjack Part No.	Qty.	Description
-	144265	1	HARNESS, ENGINE INTERFACE (GM Engine)
1	117586	1	• CONNECTOR, Receptacle (12 pin)
2	117588	1	• CONNECTOR, Receptacle (12 pin wedge)
3	117590	10	• CONNECTOR, Contact (16-18)
4	117594	2	• CONNECTOR, Seal plug
5	142361	1	• HOUSING, Female (150 GT sealed 16 way)
6	142363	1	• HOUSING, Male (150 GT sealed 16 way)
7	142365	10	• SEAL, Wire (150 GT series)
8	142366	20	• PLUG, Cavity (150 GT series)

CLICK HERE TO **DOWNLOAD** THE COMPLETE MANUAL

- Thank you very much for reading the preview of the manual.
- You can download the complete manual from: www.heydownloads.com by clicking the link below



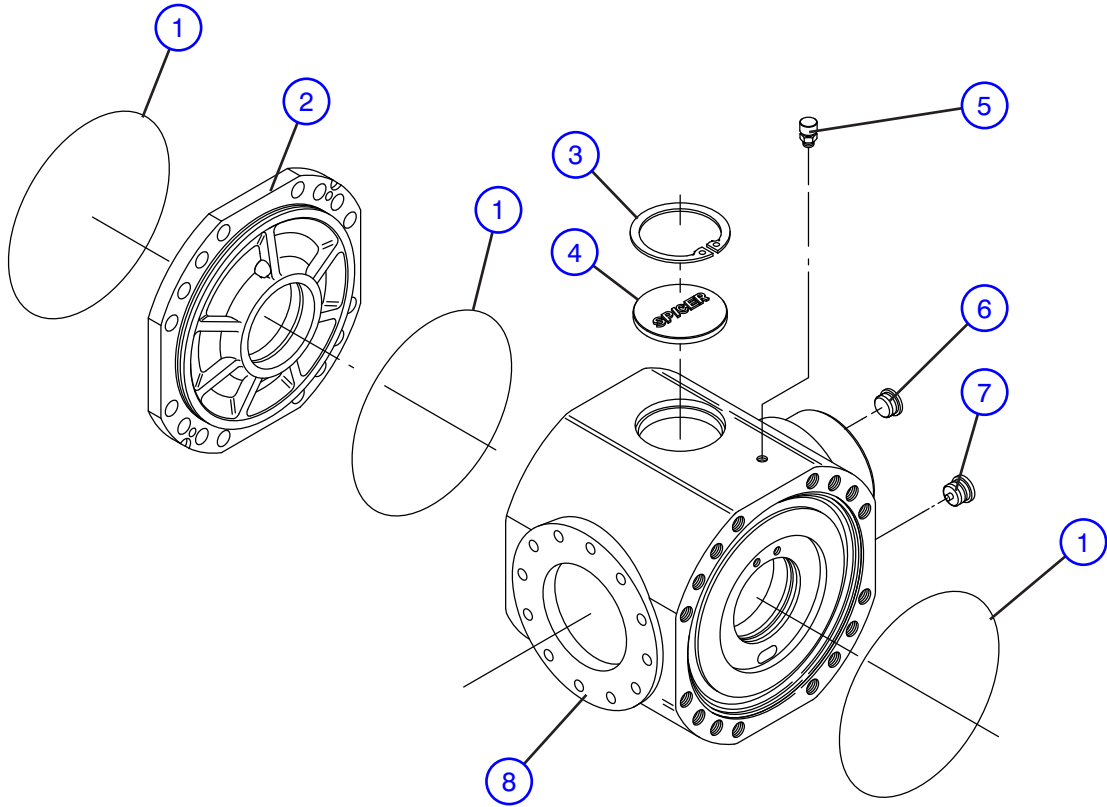
- Please note: If there is no response to CLICKING the link, please download this PDF first and then click on it.

CLICK HERE TO **DOWNLOAD** THE COMPLETE MANUAL

6.5 Differential Assembly - Front Axle


Index No.	Skyjack Part No.	Qty.	Description
1	140974	1	NUT
2	140979	1	O-RING
3	140975	1	FLANGE
4	140976	1	SEAL
5	140980	1	NUT, Ring
6	140984	2	BEARING, Taper roller
7	140981	1	SPACER
8	140985	1	GEAR SET, Bevel
9	140977	4	BOLT
10	140987	2	BEARING, Taper roller
11	140993	12	BOLT
12	141068	2	RING NUT
13	151768	2	BOLT
K1	140982	1	KIT, Shim
K2	140983	1	KIT, Shim
K3	140994	2	KIT, Shim
K4	140996	1	KIT, Limited slip differential

6.12 Central Housing Assembly - Rear Axle



M141057AA_2

Index No.	Skyjack Part No.	Qty.	Description
-	154602	-	CENTRAL HOUSING ASSEMBLY
1	140970	3	• O-RING
2	141054	1	• COVER, Intermediate
3	140966	1	• CIRCLIP
4	140967	1	• PLUG
5	141059	1	• VENT
6	140969	1	• PLUG
7	140968	1	• PLUG, Magnet
8	154570	1	• HOUSING

Index No.	Skyjack Part No.	Qty.	Description
			 WARNING * Machines equipped with normal profile air tires or high flotation tires require an additional counterweight to be added to the standard counterweight. (For components, refer to Section 4.7)
A	159924	2	WHEEL ASSEMBLY, Left hand (Air filled) (ANSI/CSA)
	159923	2	WHEEL ASSEMBLY, Right hand (Air filled) (ANSI/CSA)
B	167471	2	WHEEL ASSEMBLY, Left hand (Foam filled)
	167472	2	WHEEL ASSEMBLY, Right hand (Foam filled)
C	146991	4	WHEEL ASSEMBLY, High flotation (ANSI/CSA)
D	153440	2	WHEEL ASSEMBLY, Low Pro -Left hand (Air filled, Non-marking) (ANSI/CSA)
	153441	2	WHEEL ASSEMBLY, Low Pro -Right hand (Air filled, Non-marking) (ANSI/CSA)
E	167477	2	WHEEL ASSEMBLY, Low Pro - Left hand (Foam filled, Non-marking)
	167476	2	WHEEL ASSEMBLY, Low Pro Right hand (Foam filled, Non-marking)
1	159928	1	• RIM, (17 1/2" x 10 1/2") A, B
	146994	1	• RIM, (22 1/2" x 14", 3.155" outset) C
	153423	1	• RIM, (24 1/2" x 11 3/4", 3" outset) D, E
2	143996	1	• VALVE STEM, Carlisle (TR-501) A, B, C
	144309	1	• VALVE STEM, OTR tires D, E
3	159927	1	• TIRE, (36.7" x 14.1") A, B
	146993	1	• TIRE, Turf (41" x 18LL x 22 1/2") C
	153437	1	• TIRE, Non-marking (355/55D625) D, E
4	162400	1	• TIRE FILL, Foam (40/60 rubber crumb) B, E
5	154186	2	SPACER WELDMENT, Axle oscillation (not shown) C
6	933710	2	BOLT, Hex head (ZP, M14 2mm x 40mm Cl 10.9) (not shown) C
7	700782	2	WASHER, Flat hardened (5/8") (not shown) C
8	141850	1	VALVE STEM, Green (Air tires with sealant)
9	139635	-	SEALANT, Tire (Air tires with sealant)
L1	141848	1	LABEL, Tire Sealant (not shown) (Air tires with sealant)

Index No.	Skyjack Part No.	Qty.	Description
A	166661	-	DEUTZ D2011 ENGINE ASSEMBLY (ANSI/CSA & AS)
B	167742	-	DEUTZ D2011 ENGINE ASSEMBLY (CE)
1	167739	1	• ENGINE, Diesel (Deutz D2011)
	127181	1	• • PUMP, Fuel injection
	127182	1	• • CAP, Filler
	127183	1	• • FLYWHEEL
	127184	1	• • CONNECTOR, Plug-in
	127185	1	• • CONNECTOR, Plug-in
	127186	1	• • CABLE, Interconnect
	127187	1	• • STARTER
	151769	1	• • EXHAUST, Silencer
	151770	1	• • V-BELT, Narrow
	147071	1	• • FILTER, Fuel
	147072	1	• • FILTER, Oil
	157659	1	• • DIPSTICK
	168055	1	• • SOLENOID, Fuel
	168365	1	• • ALTERNATOR
	168366	1	• • SWITCH, Oil temperature
	168367	1	• • SENDER, Temperature
	194074	1	• • HARNESS, Starter
	194225	1	• • WIRE, Starter
	167738	1	• LABEL, CE Flex, B
2	(Ref.)	1	• COUPLING ASSEMBLY, Engine (For components, refer to Section 7.6)
3	153898	1	• BAFFLE, Engine weldment
4	138508	1	• ELBOW, 90° Reducer (Air intake)
5	138665	2	• CLAMP, Gear (SAE No. 56)
6	703312	1	• AIR CLEANER, Engine
	704560	1	• • FILTER, Primary
	706549	1	• • FILTER, Secondary
7	703315	1	• BAND, Air cleaner mounting
8	139091	1	• INDICATOR, Air restriction
9	147550	1	• BRACKET, Air filter
10	153967	1	• TAILPIPE, Engine
11	148368	26"	• FOAM, (2" x 2")
12	148377	1	• CLAMP, Exhaust pipe (2")
13	144129	4	• CLIP, Single
14	(Ref.)	1	• HARNESS, Glow plug (For components, refer to Section 5.9)
15	148368	6"	• FOAM, (2" x 2")
16	121758	1	• WASHER, Lock (M6)
17	103404	3	• WASHER, Lock (5/16")
18	125959	10	• WASHER, Flat hardened (3/8")
19	103999	8	• WASHER, Lock (3/8")
20	101297	6	• BOLT, Hex head (3/8"-16 x 1 1/4" Grade 5)
21	103996	5	• WASHER, Flat (5/16")
22	100397	2	• NUT, Hex head (5/16"-18 Grade 5)
23	103887	2	• BOLT, Hex head (5/16"-18 x 3/4" Grade 5)
			Parts list continued on the following page.

8.1 *Standard Hose Numbering System*

8.2 *Hydraulic Hose Connection
- Turret*

8.3 *Hydraulic Hose Connection
- Chassis*

8.4 *Hydraulic Hose Connection
- Drive Pump and System Pump*

8.5 *Hydraulic Hose Connection
- Boom*

8.6 *Fuel Line Connection
- Deutz Engine*

8.7 *Fuel Line Connection
- Dual Fuel Engine*

Index No.	Hose P/N	From		To		
		Description	Port	Port	Description	
A	153512	RISER HOSE KIT				
1	H3106 0349 0	Main Manifold	JPA	-	Bulkhead #1	
2	H3106 0349 0	Main Manifold	JPB	-	Bulkhead #1	
3	H3106 0346 0	Main Manifold	PLB	-	Union: (Master Cylinder R)	
4	H3106 0346 0	Main Manifold	PLA	-	Union: (Master Cylinder E)	
5	H3106 0346 0	Main Manifold	LA	E	Main Boom Lift Cylinder	
6	H3106 0346 0	Main Manifold	LB	R	Main Boom Lift Cylinder	
7	H3108 0377 0	Main Manifold	EA	-	Bulkhead #2	
8	H3106 0377 0	Main Manifold	EB	-	Bulkhead #2	
9	H3106 0153 0	Main Manifold	RA	E	Riser Cylinder (C7)	
10	H3106 0153 0	Main Manifold	RB	R	Riser Cylinder (C7)	
11	H3104 0028 2	Riser Cylinder (C7)	R	R	Riser Cylinder (C6)	
12	H3104 0028 2	Riser Cylinder (C7)	E	E	Riser Cylinder (C6)	
13	H3408 0009 2	Bulkhead #2	-	E	Fly Boom Extension Cylinder	
14	H3406 0009 0	Bulkhead #2	-	R	Fly Boom Extension Cylinder	
B	153518	BOOM HOSE KIT				
15	H3106 0475 0	Union: (Master Cylinder R)	-	-	Bulkhead #2	
16	H3106 0475 0	Union: (Master Cylinder E)	-	-	Bulkhead #2	
17	H3106 0546 0	Bulkhead #1	-	JPA	Jib Lift Cylinder	
18	H3106 0546 0	Bulkhead #1	-	JPB	Jib Lift Cylinder	
19	H3406 0026 1	Bulkhead #2	-	E	Platform Leveling Slave Cylinder	
20	H3406 0026 1	Bulkhead #2	-	R	Platform Leveling Slave Cylinder	
21	H3404 0047 0	Jib Lift Cylinder	PRL	P2	Platform Rotary Actuator	
22	H3404 0047 0	Jib Lift Cylinder	PRR	P1	Platform Rotary Actuator	
Index No.	Skyjack Part No.	Qty.	Description			
23	131732	60"	HOSE PROTECTOR, HG-46 (main manifold to boom cylinders), A			
24	140914	80"	HOSE PROTECTOR, HG-28 (jib cylinder to bulkhead #1), B			
25	162110	2	FITTING, Straight (06 JICM - 06JICM) (on bulkhead #1), B			
26	163725	40"	SLEEVE, Hose (slave to master and jib to bulkhead #1), B			

9.3 Air Hose to Platform

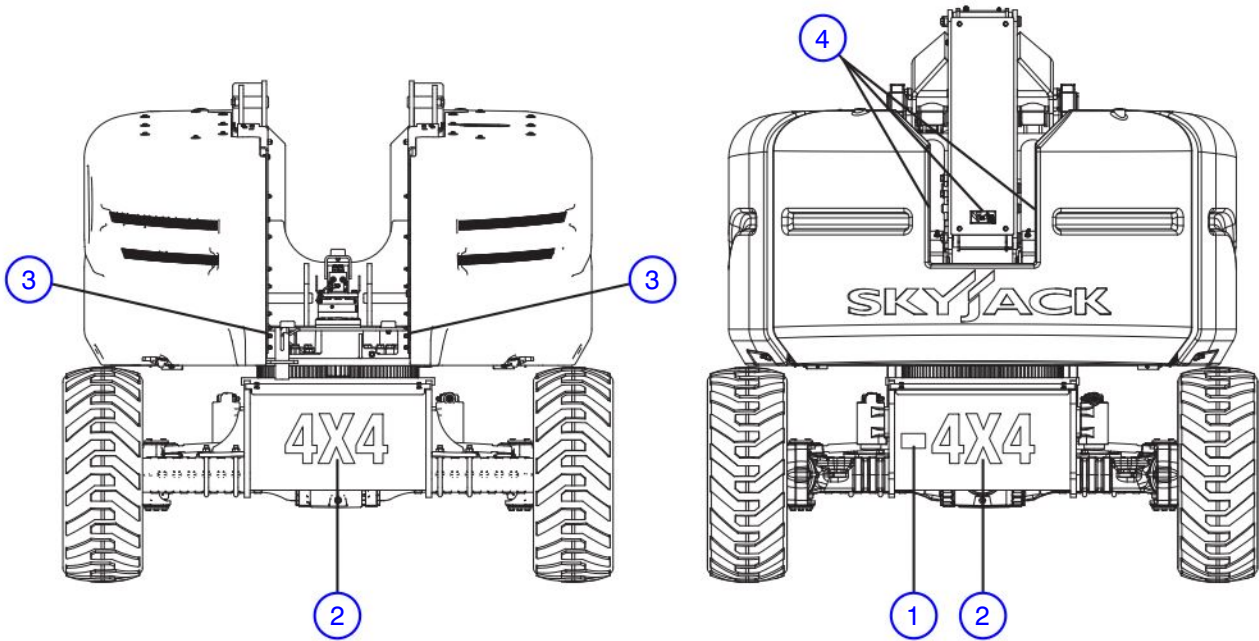
Index No.	Skyjack Part No.	Qty.	Description
-	153487	-	AIR HOSE TO PLATFORM ASSEMBLY
1	107882	1	• FITTING, Female quick disconnect
2	109050	2	• FITTING, Hose barb (Brass)
3	107886	2	• CLAMP, Air hose
4	107884	1056"	• HOSE, Air (1/2")
5	107883	1	• FITTING, Male quick disconnect
6	152402	2	• CLAMP, Cushioned loop (3/4")
7	103473	2	• BOLT, Hex head (3/8"-16 x 1" Grade 5)
8	103472	2	• WASHER, Flat (3/8")
9	103978	2	• NUT, Hex head (3/8"-16 Grade 5)

Index No.	Skyjack Part No.	Qty.	Description
A	166529	-	3.5 kW GENERATOR ASSEMBLY (ANSI/CSA)
B	166670	-	3.5 kW GENERATOR ASSEMBLY (CE & AS)
-	166608	1	• GENERATOR ASSEMBLY, 3500W A
	166877	1	• GENERATOR ASSEMBLY, 3500W B
1	166556	1	• • MOUNT, Generator
2	168620	1	• • GENERATOR, 3.5kW - 60Hz A
	168621	1	• • GENERATOR, 3.5kW - 50Hz B
3	168253	1	• • PLATE, Manifold - generator
	138405	1	• • VALVE, Generator control
4	146076	1	• • • BODY, Valve
5	146078	1	• • • VALVE, Poppet solenoid
6	146079	1	• • • COIL, 12 VDC
7	146077	1	• • • REGULATOR, Flow
8	103472	7	• • WASHER, Flat (3/8")
9	104606	2	• • NUT, Hex head nylon lock (3/8"-16, Grade 5)
10	125958	2	• • BOLT, Hex head (3/8"-16 x 3.00", Grade 5)
11	101632	2	• • BOLT, Hex head (3/8"-16 x 0.75", Grade 5)
12	102659	2	• • FITTING, Straight (08 JICM - 08 ORBM)
13	126128	1	• • FITTING, Straight (04 JICM - 04 ORBM)
14	114583	1	• • FITTING, 90° (08JICM-08ORBM)
15	120054	1	• • FITTING, 45° (08JICM-10ORBM)
16	113348	1	• • FITTING, 90° (06JICM-04ORBM)
17	112532	2	• • BOLT, Hex head (5/16"-18 x 1.25", Grade 5)
18	144260	1	• • NUT, Hex head nylon lock (M10-1.25, Grade 8.8)
19	103996	4	• • WASHER, Flat (5/16")
20	103984	2	• • NUT, Hex head nylon lock (5/16"-18, Grade 5)
21	136665	1	• • BOLT, Hex head (M10 x 1.25 x 35mm, Grade 8.8)
L	117390	1	• LABEL, Push to reset generator
22	166618	1	• HOSE ASSEMBLY, 3.5 kW Generator (For components, refer to Section 9.11)
23	160800	1	• OIL COOLER
	169245	1	• • THERMOSTAT, Oil cooler
24	125883	1	• FITTING, 90° (04JICM-04ORBM)
25	703284	1	• FITTING, 90° (12JICM-12JICFSW)
26	105445	2	• FITTING, 90° (12JICM-12JICFSW)
27	703412	2	• FITTING, Straight (12JICF-08JICM)
28	703413	2	• FITTING, Tee (12JICM-12JICM-12JICF SW)
29	104606	4	• NUT, Hex head nylon lock (3/8"-16, Grade 5)
30	131732	18"	• SLEEVE, Nylon hose protector
31	103472	6	• WASHER, Flat (3/8")
32	103871	2	• BOLT, Hex head (3/8"-16 x 1.75", Grade 5)
33	148445	1	• FITTING, Straight (04 ORBM - 04 JICFS)
34	138394	1	• VALVE, Shuttle (04 ORB)
35	144474	1	• FITTING, Straight (04 JICM - 04 ORBM)
36	103070	1	• FITTING, Straight (06 JICM - 08 ORBM)

Index No.	Skyjack Part No.	Qty.	Description
Parts list continued from the previous page.			
25	103996	8	• WASHER, Flat (5/16")
26	103884	4	• BOLT, Hex head (5/16"-18 x 2.50", Grade 5)
27	103984	4	• NUT, Hex head nylon lock (5/16"-18, Grade 5)
28	103995	4	• WASHER, Flat (1/4")
29	103857	4	• BOLT, Hex head (1/4"-20 x 1.00" Grade 5)
30	159960	2	• SPACER, Nylon (0.403" ID x 0.75" OD, x 0.312" long) (drop bar entrance)
	168336	2	• SPACER, Nylon (0.394" ID x 0.75" OD, x 0.125" long)

Index No.	Skyjack Part No.	Qty.	Description
-	165945	1	SGM ASSEMBLY (Secondary Guarding)
-	166585	1	SGM ASSEMBLY
1	166587	1	• WELDMENT, Structure, RH
2	166589	1	• TUBE
3	166586	1	• WELDMENT, Structure LH
4	166588	1	• WELDMENT, Structure, Mid
5	166708	2	• PIPE CLAMP KIT, 1.25" O.D. tube
6	166603	8	• SHIM (0.063")
7	166599	1	• BRACKET, Base, mount, LH
8	166600	1	• BRACKET, Base, mount, RH
9	103861	4	• BOLT, Hex head (1/4"-20 x 2.00", Grade 5)
10	103995	16	• WASHER, Flat (1/4")
11	115649	8	• NUT, Hex head nylon lock (1/4"-20, Grade 5)
12	103857	4	• BOLT, Hex head (1/4"-20 x 1.00", Grade 5)
13	112532	4	• BOLT, Hex head (5/16"-18 x 1.25", Grade 5)
14	166164	16	• WASHER, Flat (5/16" USS)
15	103984	8	• NUT, Hex head nylon lock (5/16"-18, Grade 5)
16	103868	4	• BOLT, Hex head (5/16"-18 x 3.50", Grade 5)
17	166829	4	• BOLT, Hex head (5/16"-18 x 2.75", Grade 5)
-	166817	1	LABEL ASSEMBLY SGM
L1	137988	2	• LABEL, Crush/pinch hazard
L2	166790	1	• LABEL, Capacity reduction SGM (small)
L3	166811	1	• LABEL, Capacity reduction SGM
L4	166808	3	• LABEL, SGM (black/grey)
-	165946	1	INSTALLATION INSTRUCTION, SGM (not shown)

10.3 Labels - Front and Back



63AJ Labels - F&B

Index No.	Skyjack Part No.	Qty.	Description
(To order a complete label kit, refer to Section 10.1 Label Kits)			
1	(Ref.)	1	LABEL, Serial plate (Not included in kit, please consult factory)
2	159509	2	LABEL, "4X4"
3	139314	2	LABEL, Body crush
4	137988	3	LABEL, Crush/pinch point

CLICK HERE TO **DOWNLOAD** THE COMPLETE MANUAL

- Thank you very much for reading the preview of the manual.
- You can download the complete manual from: www.heydownloads.com by clicking the link below



- Please note: If there is no response to CLICKING the link, please download this PDF first and then click on it.

CLICK HERE TO **DOWNLOAD** THE COMPLETE MANUAL