

An exploded view diagram of a Skyjack articulating boom lift. The diagram shows the main chassis with four tires, a control panel on the right, and a long articulating boom extending upwards and to the left. Various components are shown in their relative positions, with dashed lines indicating their assembly points. The background is a solid orange color.

**SKYJACK**<sup>™</sup>

# PARTS MANUAL

**SJ46AJ, SJ51AJ**

ARTICULATING BOOMS

**170947AH**  
April 2019  
ANSI/CSA, CE, AS

CLICK HERE TO **DOWNLOAD** THE COMPLETE MANUAL

- Thank you very much for reading the preview of the manual.
- You can download the complete manual from: [www.heydownloads.com](http://www.heydownloads.com) by clicking the link below



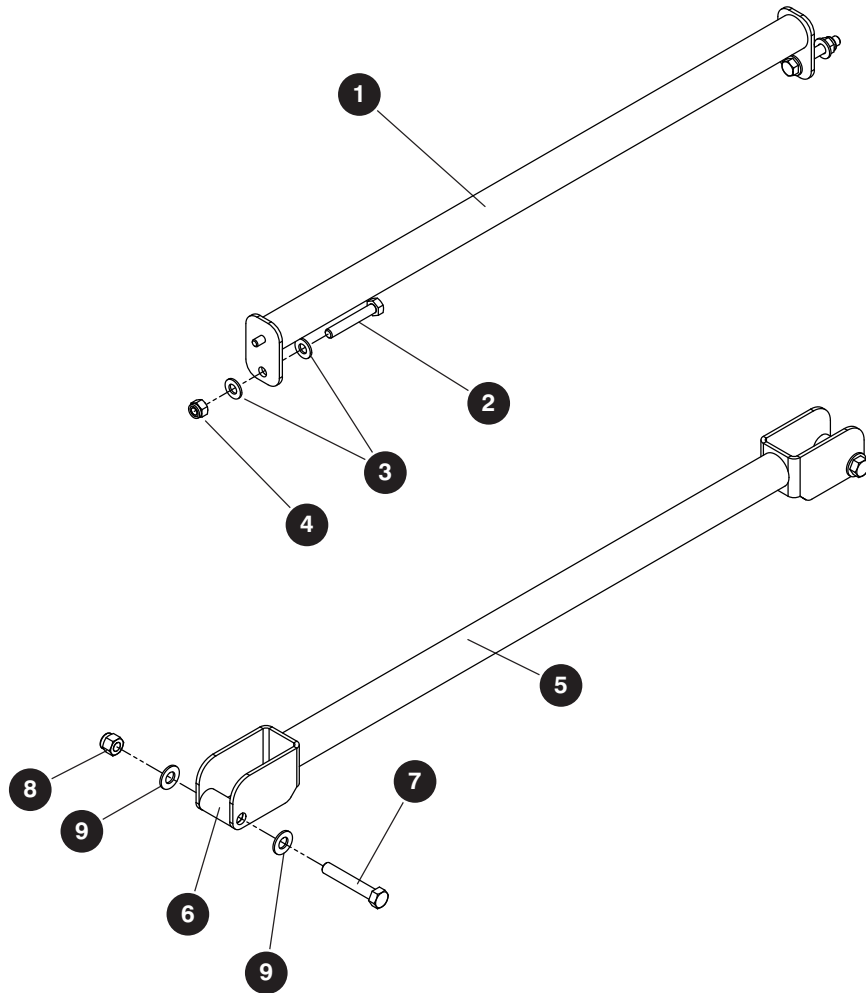
- Please note: If there is no response to CLICKING the link, please download this PDF first and then click on it.

CLICK HERE TO **DOWNLOAD** THE COMPLETE MANUAL

## Recommended Service Parts

Description	Year 1 Qty	Year 2 Qty	Year 3 Qty	Skyjack Part No.
<b>Engine - Kubota WG2503</b>				
CARTRIDGE, Oil filter, Kubota	2	2	2	194643
FILTER, Fuel pre-filter - Kubota	2	2	2	136118
ELEMENT, Air cleaner - primary	2	2	2	195293
ELEMENT, Air cleaner - secondary	1	1	1	195294
THERMOSTAT, Kubota	0	0	1	194663
HOSE, Radiator upper - Kubota	0	0	1	194636
HOSE, Radiator lower - Kubota	0	0	1	194635
BELT, Fan - Kubota	0	0	1	194666
PUMP, Fuel - Kubota	1	1	1	164881
STARTER, Kubota	0	0	1	194656
ALTERNATOR, Kubota	0	0	1	194657
SPARK PLUG, Kubota	0	0	1	194658
VALVE, Lockoff - Kubota	0	0	1	164889
REGULATOR (EPR), Kubota	0	0	1	194699
MIXER, Kubota	0	0	1	194698
<b>Engine - GM 3.0L</b>				
FILTER, Oil, Kubota	2	2	2	147120
FILTER, Fuel	2	2	2	142301
ELEMENT, Air cleaner - outer	2	2	2	751678
ELEMENT, Air cleaner - inner	1	1	1	751677
HOSE, Radiator upper	0	0	1	154560
HOSE, Radiator lower	0	0	1	154566
BELT, Fan	0	0	1	147184
PUMP, Fuel	1	1	1	154623
STARTER	0	0	1	157625
ALTERNATOR	0	0	1	147185
SPARK PLUG	0	0	1	147121
REGULATOR	0	0	1	159092
VALVE, Lockoff	0	0	1	157626
MIXER	0	0	1	154627
<b>Electrical</b>				
BATTERY	2	2	2	144676
RELAY	5	5	5	127131
SOCKET, Relay	1	1	1	138749
SWITCH, Toggle	2	2	2	102853

## 1.4 Drop Bar



M160707AC

Index No.	Skyjack Part No.	Qty.	Description
-	160707	1	DROP GATE ASSEMBLY
1	160708	1	• WELDMENT, Tie bar
2	103865	2	• BOLT, Hex head (5/16"-18 x 2.00", Grade 5)
3	103996	4	• WASHER, Flat (5/16")
4	103984	2	• NUT, Hex head nylon lock (5/16"-18, Grade 5)
-	162965	1	• DROP BAR ASSEMBLY
5	162958	1	• • WELDMENT, Drop bar
6	154386	2	• • SPACER (3/8" ID x 0.75" OD x 1.375" long)
7	103872	2	• • BOLT, Hex head (3/8"-16 x 2.25", Grade 5)
8	104606	2	• • NUT, Hex head nylon lock (3/8"-16, Grade 5)
9	103472	4	• • WASHER, Flat (3/8")

## 1.9 Drive / Steer Controller

Index No.	Skyjack Part No.	Qty.	Description
<b>A</b>	138224	1	DRIVE / STEER CONTROLLER ASSEMBLY (SINGLE AXIS)
1	141338	1	• KIT, Handle
2	141328	4	• NUT
3	141329	4	• SCREW
4	141342	2	• MICROSWITCH
5	141331	2	• SCREW, Set
6	141343	1	• COUPLING, (8 MM)
7	141339	1	• CAP, Rubber
8	141340	1	• ROCKER
9	141341	1	• ROCKER, Axle
10	141327	2	• GASKET
11	141334	1	• BOOT ASSEMBLY, Standard
12	141336	2	• SCREW Mounting
13	141335	2	• WASHER, Mounting
14	141333	1	• ENCLOSURE
15	141337	1	• SCREW, Enclosure
<b>B</b>	220627	1	DRIVE / STEER CONTROLLER (SINGLE AXIS) - Potentiometer style - <b>Optional</b>

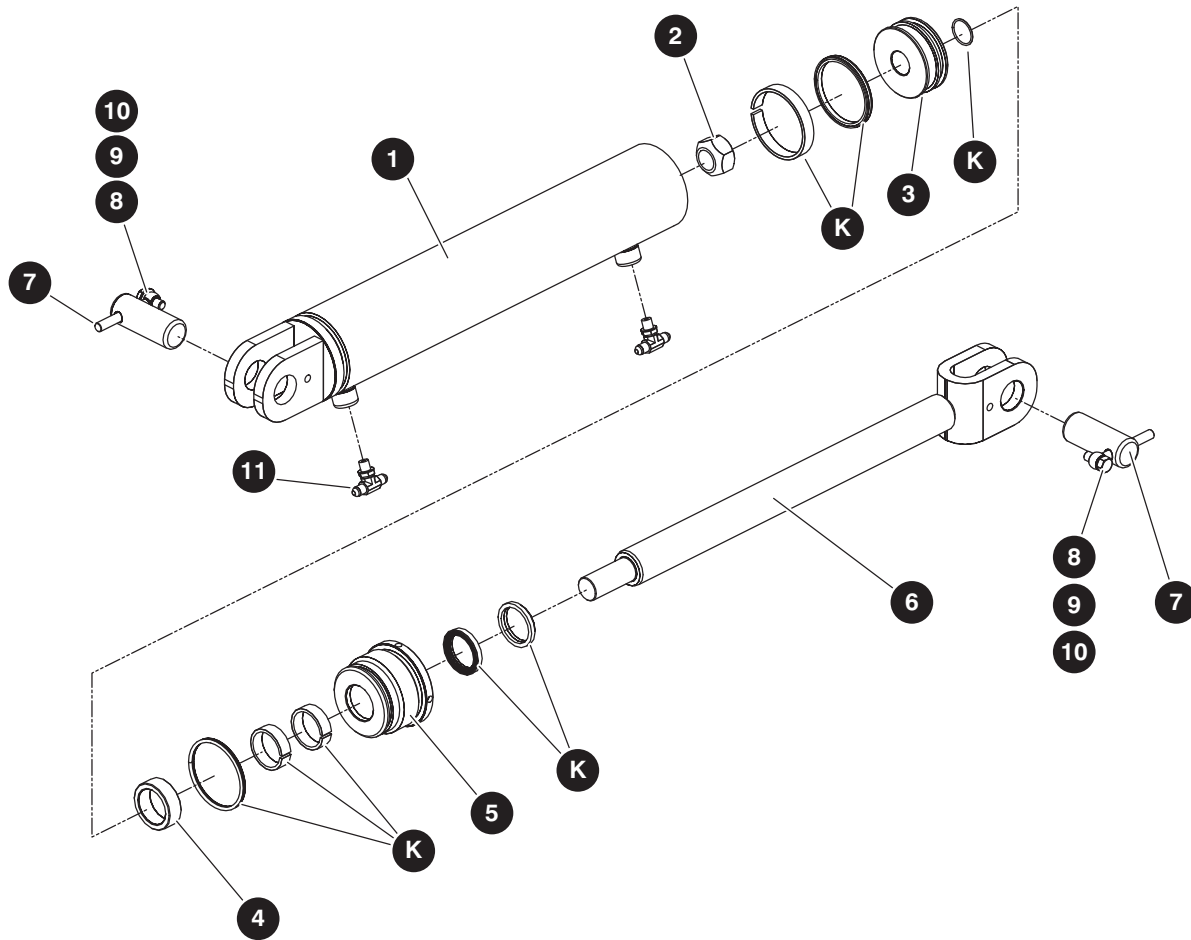
## 2.2 Boom Limit Switches

Index No.	Skyjack Part No.	Qty.	Description
-	162345	1	LIMIT SWITCH ASSEMBLY - MAIN AND RISER BOOM
<b>A</b>	162362	1	• BRACKET ASSEMBLY, Limit Switch
1	207017	1	• • SWITCH ASSEMBLY, Roller plunger
2	207853	1	• • • CORD, Switch
	207849	1	• • • BODY, Limit switch
	207850		• • • HEAD, Limit switch
3	162363	1	• • BRACKET
<b>B</b>	162370	1	• BRACKET ASSEMBLY, Limit Switch
4	199546	1	• • SWITCH, Limit, roller plunger
	207850		• • • HEAD, Limit switch
5	162363	1	• • BRACKET
6	152294	2	• • SCREW, Round head machine (#8-32 x 1.25"), <b>A, B</b>
7	138765	2	• • NUT, Hex head nylon lock (#8-32, Grade 5), <b>A, B</b>
8	103991	4	• • WASHER, Flat (#8), <b>A, B</b>
9	156613	1	• • LABEL, Do not alter, <b>A, B</b>
10	149495	2	• CLAMP, Tube (cushioned)
11	409187	1	• CLAMP, Hose (1-1/2")
12	161053	4	• SHIM
13	103995	5	• WASHER, Flat (1/4")
14	103856	5	• BOLT, Hex head (1/4"-20 x 0.75", Grade 5)
15	103472	2	• WASHER, Flat (3/8")
16	103864	1	• BOLT, Hex head (5/16"-18 x 1.00", Grade 5)
17	103984	1	• NUT, Hex head nylon lock (5/16"-18, Grade 5)

## 2.6 Jib

Index No.	Skyjack Part No.	Qty.	Description
-	167645	1	JIB BOOM ASSEMBLY
1	(Ref.)	1	<ul style="list-style-type: none"> <li>JIB CYLINDER (For components, refer to 3.7 Jib Cylinder)</li> </ul>
2	148876	1	<ul style="list-style-type: none"> <li>BRACKET, Jib mount</li> </ul>
3	148881	1	<ul style="list-style-type: none"> <li>WELDMENT, Lower arm</li> </ul>
4	167648	1	<ul style="list-style-type: none"> <li>WELDMENT, Upper arm</li> </ul>
5	148891	1	<ul style="list-style-type: none"> <li>COVER, Hose</li> </ul>
6	167659	1	<ul style="list-style-type: none"> <li>BRACKET, Platform mount</li> </ul>
7	146897	6	<ul style="list-style-type: none"> <li>KEEPER PIN (3/8")</li> </ul>
8	148890	6	<ul style="list-style-type: none"> <li>PIN (1 1/4" diameter x 10 3/16")</li> </ul>
9	143987	2	<ul style="list-style-type: none"> <li>CLAMP (2 1/2")</li> </ul>
10	148847	8	<ul style="list-style-type: none"> <li>BUSHING (1 1/4" ID x 1")</li> </ul>
11	125262	8	<ul style="list-style-type: none"> <li>BUSHING (1 1/4" ID x 1 1/2")</li> </ul>
12	148920	2	<ul style="list-style-type: none"> <li>SPACER</li> </ul>
13	148936	1	<ul style="list-style-type: none"> <li>PAD, Wear</li> </ul>
14	148943	6	<ul style="list-style-type: none"> <li>BOLT, Hex head patch (5/16"-18 x 1" Grade 8)</li> </ul>
15	103996	8	<ul style="list-style-type: none"> <li>WASHER, Flat (5/16")</li> </ul>
16	300064	2	<ul style="list-style-type: none"> <li>SCREW, Button head cap (5/16"-18 x 3/4")</li> </ul>
17	103984	2	<ul style="list-style-type: none"> <li>NUT, Hex lock (5/16"-18 Grade 5, nylon)</li> </ul>
18	103856	4	<ul style="list-style-type: none"> <li>BOLT, Hex head (1/4"-20 x 3/4" Grade 5)</li> </ul>
19	103995	4	<ul style="list-style-type: none"> <li>WASHER, Flat (1/4")</li> </ul>

## 3.5 Master Cylinder



M148628AA

Index No.	Skyjack Part No.	Qty.	Description
-	148628	1	MASTER CYLINDER ASSEMBLY
-	148715	1	• MASTER CYLINDER
1	154525	1	• • WELDMENT, Tube
2	152256	1	• • NUT, Rod
3	154522	1	• • PISTON
4	154527	1	• • TUBE STOP
5	154523	1	• • GLAND
6	154526	1	• • WELDMENT, Rod
7	148846	2	• PIN (1 1/4" diameter x 3 1/8")
8	146897	2	• KEEPER PIN (3/8")
9	139193	2	• BOLT, Hex head patch (3/8"-16 x 7/8" Grade 8, ZP)
10	103472	2	• WASHER, Flat (3/8")
11	132463	2	• FITTING, Tee (04MJ04MB04MJ)
<b>K</b>	154524	1	SEAL KIT

## 4.2 Cowling - Engine Side

Index No.	Skyjack Part No.	Qty.	Description
-	148615	1	COWLING ASSEMBLY, ENGINE SIDE
-	149259	1	• COWLING, Assembly (Engine Side)
1	149261	1	• • COWLING, Shell (Engine Side)
2	160214	1	• • WELDMENT, Cowling frame (Engine Side)
3	152426	2	• • PLATE, Perforated
4	148368	1	• • FOAM, 2" x 2" (#1441FR)
5	125959	4	• • WASHER, Flat hardened (3/8")
6	127067	4	• • WASHER, Flat (3/8" Style BB)
7	101297	2	• • BOLT, Hex head (3/8"-16 x 1 1/4" Grade 5)
8	104606	4	• • NUT, Hex lock (3/8"-16 Grade 5, nylon)
9	103870	2	• • BOLT, Hex head (3/8"-16 x 1 1/2" Grade 5)
10	152416	2	• • WASHER, Rubber (1x 3/7 x 1/8 TK)
11	149360	1	• WELDMENT, Gas spring mount
12	152427	2	• WELDMENT, Hinge lower RHS
13	103980	2	• NUT, Hex head (1/4"-20 Grade 8)
14	138834	4	• SCREW, Round machine (#10-24 x 3/4")
15	104694	2	• WASHER, Flat (#10)
16	126642	4	• NUT, Hex lock (#10-24 Grade 5, nylon)
17	146903	2	• STUD, Ball (10mm)
18	103984	2	• NUT, Hex lock (5/16"-18 Grade 5, nylon)
19	125959	10	• WASHER, Flat hardened (3/8")
20	103473	10	• BOLT, Hex head (3/8"-16 x 1" Grade 5)
21	152431	1	• GAS SPRING, Cowling
22	138736	2	• BOLT, Hex head (3/8"-16 x 6" Grade 5)
23	104606	2	• NUT, Hex lock (3/8"-16 Grade 5, nylon)
24	149333	1	• WELDMENT, Latch mount
25	149334	1	• WELDMENT, Cowling bumper
26	103995	3	• WASHER, Flat (1/4")
27	103857	3	• BOLT, Hex head (1/4"-20 x 1" Grade 5)
28	144002	1	• LATCH, Flexible draw
29	144015	2	• MOUNT, Anti-vibration

Index No.	Skyjack Part No.	Qty.	Description
<b>A</b>	220509	1	MAIN MANIFOLD ASSEMBLY - <b>ANSI/CSA</b>
<b>B</b>	220507	1	MAIN MANIFOLD ASSEMBLY - <b>CE &amp; AS</b>
-	167494	1	• MAIN MANIFOLD ASSEMBLY, <b>A</b>
-	167897	1	• MAIN MANIFOLD ASSEMBLY, <b>B</b>
-	162495	1	• • MANIFOLD ASSEMBLY, Main
1	166070	1	• • • BLOCK, Manifold
2	166067	6	• • • VALVE, Check
3	166080	1	• • • ORIFICE, Plug (0.038")
4	166078	1	• • • ORIFICE, Plug (0.058")
5	166064	1	• • • VALVE, Check
6	159817	1	• • • VALVE, Check (Pilot operated)
7	166063	2	• • • COMPENSATOR, Pressure
8	166062	2	• • • COMPENSATOR, Pressure
9	166059	1	• • • COMPENSATOR, Pressure
10	166055	1	• • • REGULATOR, Pressure
11	166057	1	• • • REGULATOR, Pressure
12	166056	1	• • • REGULATOR, Pressure
13	159821	6	• • • COIL, 12 VDC
14	159819	9	• • • COIL, 12 VDC
15	166054	5	• • • VALVE, Shuttle
16	168975	1	• • • VALVE, Relief
17	159809	1	• • • VALVE, Relief
18	166044	1	• • • VALVE, Differential relief
19	166043	1	• • • VALVE, Differential relief
20	166041	3	• • • VALVE, Spool (3 position 4 way)
21	166038	2	• • • VALVE, Spool (2 way)
22	166037	2	• • • VALVE, Spool (3 way)
23	158186	1	• • • VALVE, Spool (3 position 4 way)
24	166036	1	• • • VALVE, Spool (3 position 4 way)
25	166039	1	• • • VALVE, Spool (2 way)
27	121250	3	• • PLUG, Hex socket (04 ORBM)
28	706812	1	• • FITTING, Straight (08 JICF - 04 JICM)
29	128869	4	• • FITTING, Straight (06 JICM - 06 ORBM), A
	128869	3	• • FITTING, Straight (06 JICM - 06 ORBM), B
30	701478	1	• • FITTING, Elbow 45° (06 JICM - 04 ORBM)
31	131716	1	• • FITTING, Elbow 45° (04 JICM - 04 ORBM)
32	126128	10	• • FITTING, Straight (04 JICM - 04 ORBM)
33	111392	1	• • PLUG, Hex socket (12 ORBM)
34	131705	1	• • FITTING, Straight (08 ORBM - 04 JICM)
35	103070	1	• • FITTING, Straight (06 JICM - 08 ORBM)
	702796	1	• • PLUG, Hex socket (08 ORBM)
36	702118	1	• • FITTING, Straight (12 JICM - 12 ORBM)
37	135061	1	• • FITTING, Tee (08 JICM - 08 JICM - 08 ORBM)
38	107666	2	• • FITTING, Cap (06 JICF), A
		1	• • FITTING, Cap (06 JICF), B
39	147553	1	• • FITTING, Straight (04 ORBM - 06 ORBF), B
40	122420	1	• • QUICK DISCONNECT ASSEMBLY, B
41	702761	1	• FITTING, Elbow 90° (06 JICM - 06 JICFSW)

Index No.	Skyjack Part No.	Qty.	Description
-	148660	1	FUEL TANK ASSEMBLY - <b>Deutz D2011 engine</b>
-	210465	1	• TANK ASSEMBLY, Diesel
1	138230	1	• • SWITCH, Fuel level
2	137629	1	• • FITTING, Plug hollow hex (10 ORB)
3	103155	1	• • FITTING, Brass tank (#T68-5B)
4	144410	1	• • CAP, Fuel (non EPA)
5	138491	1	• • TUBE, Fuel send/return
6	143478	1	• • FITTING, Nipple (brass, 1/4 NPT x 2")
7	144325	1	• • FITTING, Elbow 90° (brass, 1/4 NPTF x 1/4 NPTF)
8	116408	1	• • VENT, Breather (1/4 NPT)
9	210466	1	• • TANK, Fuel
10	164674	1	• • FITTING, Tube Compression (1/2" OD x 1/2" NPT)
11	164673	1	• • TUBE, Fuel suction
12	125959	4	• WASHER, Flat (3/8")
13	101632	2	• BOLT, Hex head (3/8"-16 x 3/4" Grade 5)
14	103872	2	• BOLT, Hex head (3/8"-16 x 2 1/4" Grade 5)
15	103999	4	• WASHER, Lock (3/8")
16	165716	1	• FITTING, Straight (08 BT - 06 FP)
17	165719	1	• FITTING, Hose barb

## 4.19 Base Control Box - Deutz D2.9L &amp; Perkins 2.2T

Index No.	Skyjack Part No.	Qty.	Description
<b>A</b>	165541	1	BASE CONTROL ASSEMBLY - <b>SJ46AJ ANSI/CSA - Deutz D2.9L</b>
<b>B</b>	211892	1	BASE CONTROL ASSEMBLY - <b>SJ46AJ ANSI/CSA - Perkins 2.2T</b>
-	164929	1	• BASE CONTROL CONSOLE ASSEMBLY, Deutz D2.9L, <b>A</b>
	211701	1	• BASE CONTROL CONSOLE ASSEMBLY, Perkins, <b>B</b>
-	164931	1	• • CONTROL BOX
1	164932	1	• • • BODY, Control box
	149281	1	• • • HINGE, Continuous
2	164933	1	• • • DOOR, Control box
3	149282	1	• • • WEATHER STRIP
4	149437	1	• • • FASTENER, Door
	149320	1	• • • RETAINER, 1/4 Turn
	149321	1	• • • RECEPTACLE, 1/4 Turn
5	195940	1	• • HOUR METER
6	102853	5	• • SWITCH, Toggle
7	138278	3	• • SWITCH, Toggle
8	149426	1	• • ANGLE TRANSDUCER
9	164949	1	• • KEYSWITCH ASSEMBLY
	147056	1	• • • LATCH, Mounting
	166141	1	• • • BLOCK, NOEM Contact (black plunger)
	166142	1	• • • BLOCK, NCLB Contact (yellow plunger)
	149605	1	• • • SWITCH HEAD, Selector
10	144652	1	• • SWITCH, Emergency stop red
	147056	1	• • • LATCH, Mounting
	147053	1	• • • BLOCK, NC Contact
	147229	1	• • • BLOCK, LED 12V
	147051	1	• • • SWITCH HEAD, Emergency stop
11	133133	1	• • LIGHT INDICATOR, Amber, <b>A</b>
	164831	1	• • LIGHT INDICATOR, Green, <b>B</b>
12	133133	1	• • LIGHT INDICATOR, Amber
13	117325	3	• • CIRCUIT BREAKER (15 AMP)
14	116266	5	• • CONNECTOR, Heyco liquid tight
15	131938	1	• • PLUG (1 1/8")
16	138749	15	• • SOCKET, Automotive relay
17	127131	12	• • RELAY, (12V 40 AMP)
18	(Ref.)	1	• • TERMINAL STRIP (For components, refer to 4.21 Base Terminal Strip - ANSI/CSA & AS)
19	138751	3	• • HOUSING, Open bottom 24 pin levered
20	138755	1	• • PLUG, 24 Pin spring (16A)
21	138756	2	• • SOCKET, 24 Pin spring (16A)
22	126499	2	• • SCREW, Round head machine (#8-32 x 7/8")
23	138765	16	• • NUT, Hex lock (#8-32 Grade 5, nylon)
18	(Ref.)	1	• • TERMINAL STRIP (For components, refer to 4.21 Base Terminal Strip - ANSI/CSA & AS)
19	138751	3	• • HOUSING, Open bottom 24 pin levered
20	138755	1	• • PLUG, 24 Pin spring (16A)
21	138756	2	• • SOCKET, 24 Pin spring (16A)

# Section 5 – Electrical Harnesses

**5.1** *Main Electrical and Fuel Level Switch Harnesses*

**5.2** *Battery Cables*

**5.3** *Control Cables*

**5.4** *Jib/Rotate Valve Harness*

**5.5** *AC Outlet - 110/220V*

**5.6** *Glow Plug Harness - Deutz D2.9L*

**5.7** *Glow Plug Harness - Deutz D2011 Engine*

**5.8** *ECU Harnesses - Deutz D2011 Engine*

**5.9** *Engine Interface Harness - Deutz D2.9L*

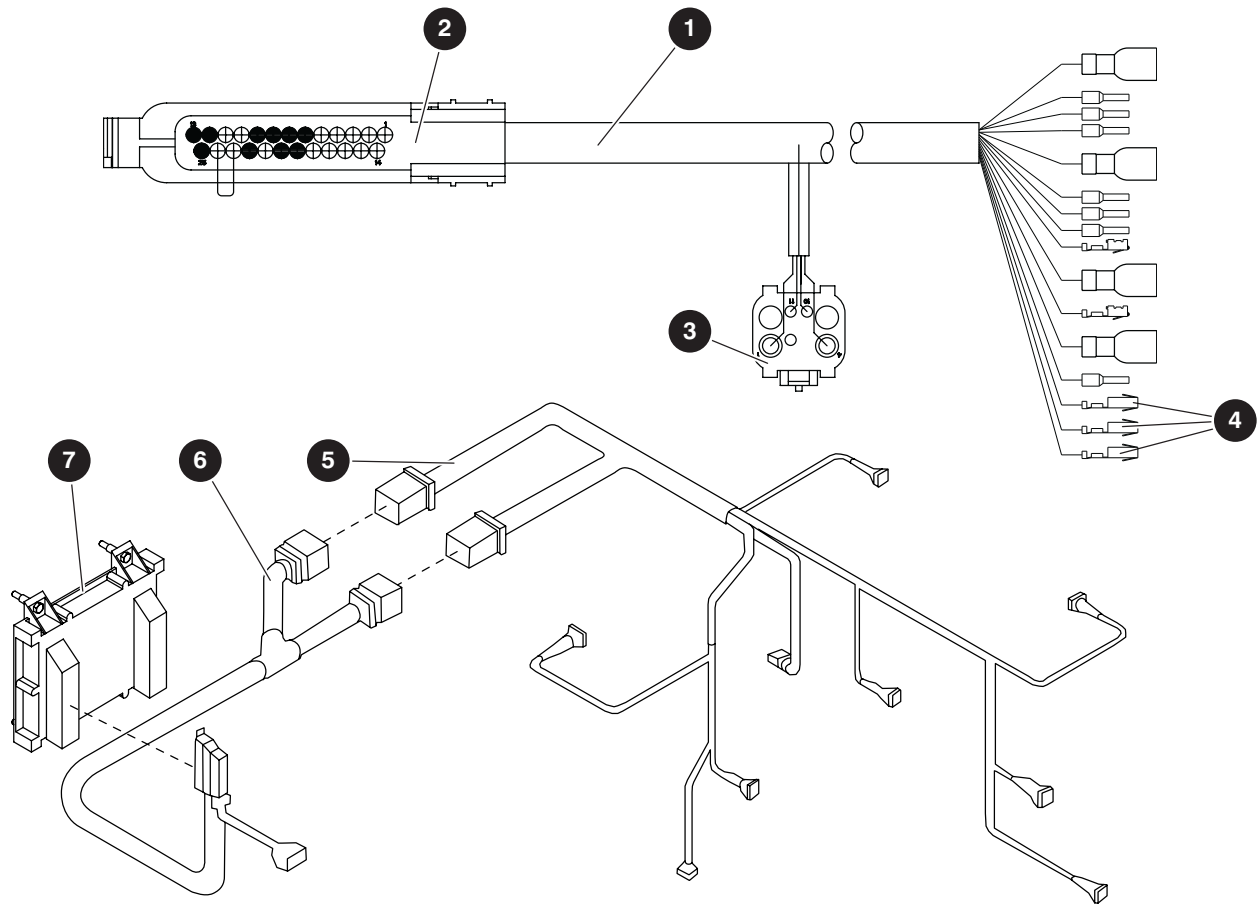
**5.10** *Engine Interface Harness - Kubota WG2503*

**5.11** *Engine Interface Harness - Perkins 2.2T*

**5.12** *Fuse Box - Perkins 2.2T*

**5.13** *Engine Interface Harness - GM*

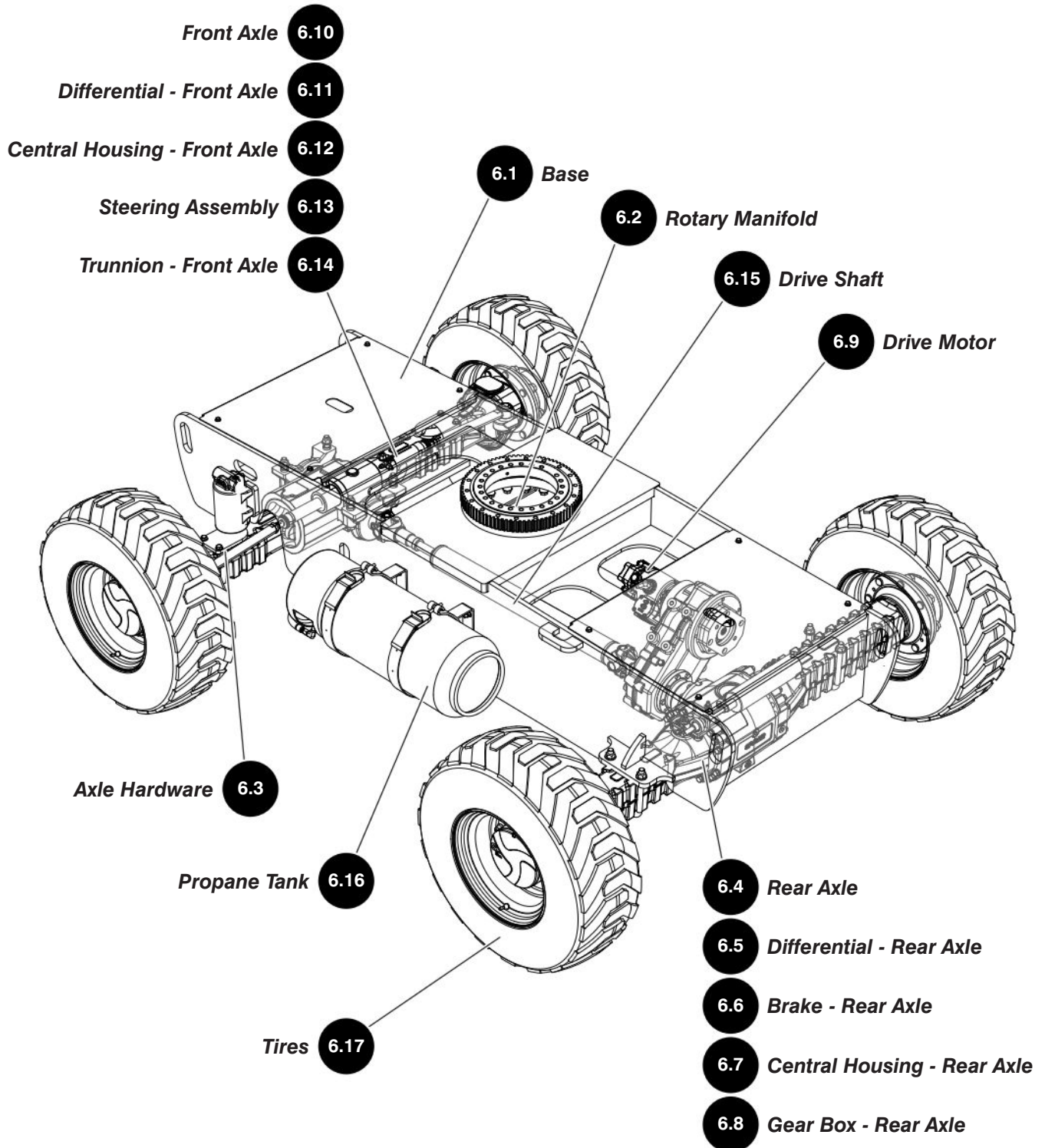
## 5.8 ECU Harnesses - Deutz D2011 Engine



M146007AA\_146008AA

Index No.	Skyjack Part No.	Qty.	Description
1	148927	-	HARNESS, ECU - <b>Deutz D2011</b>
2	138574	1	• CONNECTOR KIT, Deutz controller
3	150975	1	• CONNECTOR KIT, Universal
4	138576	1	• CONNECTOR KIT, Deutz programming
5	146007	1	HARNESS, Cable
6	146008	1	HARNESS, Interconnect Cable
7	(Ref.)	1	ENGINE CONTROL UNIT, Deutz

# Section 6 – Base



## 6.5 Differential - Rear Axle

Index No.	Skyjack Part No.	Qty.	Description
1	140977	4	BOLT
2	141068	2	NUT, Ring
3	151768	2	BOLT
4	140993	12	BOLT
5	141065	1	GEAR SET, Bevel
6	140987	2	BEARING, Taper roller
7	154576	1	BOOT
8	154577	1	SWITCH, Security
9	154589	1	WASHER, Seal
10	154578	1	WASHER, Seal
11	154580	1	NUT
12	154579	1	O-RING
13	154588	1	SELECTOR FORK
14	154587	1	CIRCLIP
15	154586	1	PLUG
16	154585	1	SPRING
17	154571	1	CIRCLIP
18	154584	1	PISTON
19	154583	1	O-RING
20	154575	1	RING
21	140966	1	CIRCLIP
22	140980	1	RING NUT
23	140984	2	BEARING, Taper roller
24	141063	1	COVER
25	141075	8	WASHER, Spring
26	141076	8	BOLT, Hexagon
27	141064	1	O-RING
28	141062	1	SPACER
29	141074	1	SEAL
30	141072	12	BOLT, Hexagon
31	154574	6	BALL, Detent
32	154582	1	SELECTOR
33	154572	1	KEY
34	154581	1	SHEET
<b>K1</b>	140982	1	KIT, Shim
<b>K2</b>	140983	1	KIT, Shim
<b>K3</b>	154573	1	KIT, Differential position

## 6.9 Drive Motor

Index No.	Skyjack Part No.	Qty.	Description
-	161762	-	DRIVE MOTOR ASSEMBLY
1	161964	1	• MOTOR, Hydraulic drive
2	125883	1	• FITTING, Elbow, 90° (04 JICM - 04 ORBM)
3	112366	1	• FITTING, Elbow, 90° (08 JICM - 12 ORBM)
4	710124	2	• FITTING, Elbow, 90° (12 JICM - 16 ORBM)
5	138738	2	• WASHER, Lock (M14)
6	138734	2	• BOLT, Hex head (M14 x 2 x 30mm, ZP, Grade 8.8)
7	700782	2	• WASHER, Flat hardened (5/8")

Index No.	Skyjack Part No.	Qty.	Description
<b>A</b>	211433	1	SINGLE PROPANE TANK - 44 lb (Standard) - <b>S/N 95 002 085 &amp; above</b>
<b>B</b>	148680	1	SINGLE PROPANE TANK - 44 lb (Standard) - <b>S/N 95 002 084 &amp; below</b>
<b>C</b>	213073	1	SINGLE PROPANE TANK - 33 lb - <b>S/N 95 002 085 &amp; above</b>
<b>D</b>	211431	1	DOUBLE PROPANE TANK - 44 lb - <b>S/N 95 002 085 &amp; above</b>
<b>E</b>	148681	1	DOUBLE PROPANE TANK - 44 lb - <b>S/N 95 002 084 &amp; below</b>
<b>F</b>	213075	1	DOUBLE PROPANE TANK - 33 lb - <b>S/N 95 002 085 &amp; above</b>
1	702253	1	• BOTTLE, Propane (43.5#), <b>A, B, C</b>
	702253	2	• BOTTLE, Propane (43.5#), <b>D, E, F</b>
2	103006	1	• QUICK COUPLING, Female tank, <b>A, B, C</b>
	103006	2	• QUICK COUPLING, Female tank, <b>D, E, F</b>
3	143478	3	• NIPPLE, Brass (1/4 NPT x 2"), <b>A</b>
	143478	4	• NIPPLE, Brass (1/4 NPT x 2"), <b>B</b>
4	144334	2	• FITTING, Elbow 90° (06 SAE 45M - 04 NPTF), <b>A, B, C</b>
	144334	4	• FITTING, Elbow 90° (06 SAE 45M - 04 NPTF), <b>D, E, F</b>
5	144295	1	• MOUNTING, Propane bottle, <b>A, B, C</b>
	144295	2	• MOUNTING, Propane bottle, <b>D, E, F</b>
	221768	2	• • BRACKET, Propane tank
	221769	2	• • LATCH
	221770	1	• • PIN, Locating
	221771	2	• • SCREW, Sem
6	149029	2	• RETAINER, Propane mount, <b>A, B, C</b>
	149029	4	• RETAINER, Propane mount, <b>D, E, F</b>
7	125959	4	• WASHER, Flat hardened (3/8"), <b>A, B, C</b>
	125959	8	• WASHER, Flat hardened (3/8"), <b>D, E, F</b>
8	104606	4	• NUT, Hex lock (3/8"-16 Grade 5, nylon), <b>A, B, C</b>
	104606	8	• NUT, Hex lock (3/8"-16 Grade 5, nylon), <b>D, E, F</b>
9	137235	2	• CLIP, Gripper (1.5"-2.5 diameter), <b>A, B, C</b>
	137235	4	• CLIP, Gripper (1.5"-2.5 diameter), <b>D, E, F</b>
10	138834	4	• SCREW, Round head machine (#10-24 x 3/4"), <b>A, B, C</b>
	138834	8	• SCREW, Round head machine (#10-24 x 3/4"), <b>D, E, F</b>
11	126642	4	• NUT, Hex lock (#10-24 Grade 5, nylon), <b>A, B, C</b>
	126642	8	• NUT, Hex lock (#10-24 Grade 5, nylon), <b>D, E, F</b>
12	123062	1	• SHUTTLE TEE, <b>D, E, F</b>
13	702239	1	• FITTING, 90° live swivel (04 NPTF - 06 NPTM)
14	100385	1	• FITTING, Straight (06 MP - 04 FP)
15	103156	1	• FITTING, Straight (06 SAE 45M - 04 NPTM), <b>A, B, C</b>
16	103164	1	• FITTING, Straight (06 SAE 45M - 04 NPTF)
17	300799	1	• VALVE RELIEF, <b>A, B, C</b>
18	111622	1	• CAP, Rain (for H123 valve), <b>A, B, C</b>
19	132919	1	• FITTING, Tee (4 NPTF), <b>A, B, C</b>
20	(Ref.)	1	• HOSE ASSEMBLIES

CLICK HERE TO **DOWNLOAD** THE COMPLETE MANUAL

- Thank you very much for reading the preview of the manual.
- You can download the complete manual from: [www.heydownloads.com](http://www.heydownloads.com) by clicking the link below



- Please note: If there is no response to CLICKING the link, please download this PDF first and then click on it.

CLICK HERE TO **DOWNLOAD** THE COMPLETE MANUAL

Index No.	Skyjack Part No.	Qty.	Description
-	165038	1	RADIATOR ASSEMBLY
1	160366	11"	• HOSE, Fuel Line (3/16")
2	165058	1	• SENSOR, Coolant level
3	166949	1	• WASHER, Sealing (M16)
4	163395	1	• GUARD, Fan
5	133222	1	• CLAMP, Gear (SAE No. 32, 1-9/16" - 2-1/2")
6	142415	2	• CLAMP, Gear (SAE No. 20, 3/4" - 1-3/4")
-	163228	1	• KIT, Radiator - Deutz D2.9L
7	170934	1	• • HOSE, Radiator - upper
8	170935	1	• • HOSE, Radiator - lower
9	170951	1	• • HOSE, Radiator - return
10	190430	2	• • ISOLATOR, 32 X 32, MB-1.25
11	190428	2	• • ISOLATOR, 46.4MM, 51.21MM, 1/2-13
12	224571	1	• • BRACKET, Upper radiator support
13	224572	1	• • BRACKET, Radiator mount
14	210223	1	• • BRACKET, Degas mount (not shown, opposite to item 15)
15	210224	1	• • BRACKET, Degas mount
16	137241	2	• WASHER, Fender (1/2" ID)
17	103470	2	• WASHER, Lock (1/2", Grade 5)
18	108818	2	• BOLT, Hex head (1/2"-13 x 2.75", Grade 5)
19	144129	2	• CLIP, Single (S332G10)
20	102984	34"	• LINE, Fuel (5/16" ID)
21	104528	3	• CLAMP, Gear (SAE No. 28, 1-5/16" - 2-1/4")
22	166164	4	• WASHER, Flat (5/16")
23	133174	17	• BOLT, Hex head (M8 x 1.25 x 20mm, Grade 5)
24	133232	13	• WASHER, Flat (M8)
25	149496	6	• NUT, Speed clip (1/4"-20 x 0.5L)
26	163226	1	• RADIATOR, Deutz D2.9L
	212384	1	• • SHROUD, Fan
27	103321	5	• CLAMP, Gear (SAE No. 4, 1/4" - 5/8")
28	163227	1	• RESERVOIR, Coolant, Degas TK - Deutz D2.9L
29	166737	3.75"	• LINE, Fuel (3/8" ID)
30	933666	3	BOLT, Hex head (M12 x 1.75" x 35mm, Grade 10.9)
31	104379	3	WASHER, Flat hardened (1/2")

Index No.	Skyjack Part No.	Qty.	Description
31	212993	1	• • WATER PUMP
32	212994	1	• • GASKET, Water pump
33	212995	1	• • RING, Flywheel starter
34	212996	1	• • GASKET, Thermostat housing
35	216870	1	• • TURBOCHARGER KIT
	216871	1	• • • TURBOCHARGER
	212999	1	• • • GASKET, Turbocharger
	213000	2	• • • GASKET, Turbocharger (oil feed pipe)
	213001	1	• • • GASKET, Turbocharger (oil drain pipe)
36	213002	1	• • GASKET, Cylinder head cover (not shown)
37	213003	1	• • HEATER, NOx reduction system

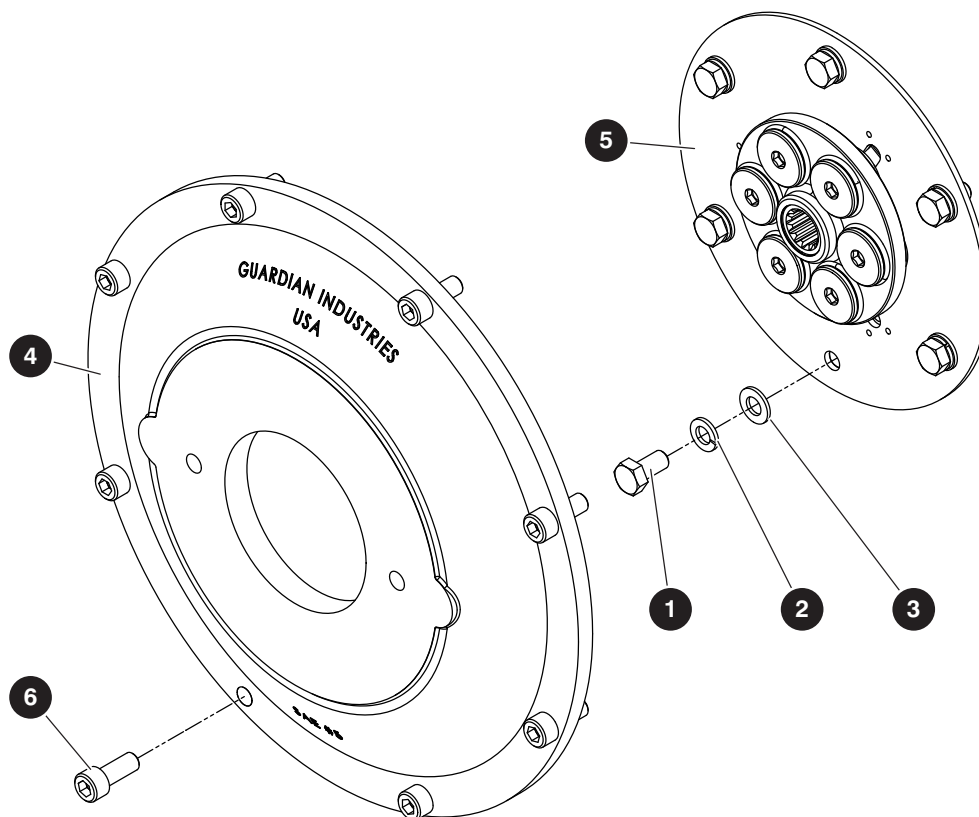
## 7.8 GM Engine

Index No.	Skyjack Part No.	Qty.	Description
3	104003	4	• • • NUT, (#10-32)
	152185	4	• • • SCREW, Slot head (#10-32 x 3/4")
	152187	1	• • • STICKER, Radiator PGS
	(Ref.)	1	• • CATALYST MUFFLER ASSEMBLY
	152189	1	• • • FLANGE, Exhaust
	152190	1	• • • GASKET, Exhaust
	159091	1	• • • MUFFLER, Catalyst (3.0L)
	152192	1	• • • FLANGE, Hi-temp exhaust (2.5"OD)
	152193	1	• • • FLANGE, Hi-temp exhaust (2.0"OD)
	152194	1	• • • SEAL, Hi-temp exhaust (2.5"OD)
	152195	1	• • • SEAL, Hi-temp exhaust (2"ID)
	152196	1	• • • BRACKET, Catalyst muffler
	152197	2	• • • BRACKET, Side Catalyst muffler
	152198	1	• • • TUBE, Exhaust
	152210	2	• • • BOLT, Hex head (5/16"-18 x 1", Grade 5)
	103473	10	• • • BOLT, Hex head (3/8"-16 x 1" Grade 5)
	103870	7	• • • BOLT, Hex head (3/8"-16 x 1 1/2" Grade 5)
	103404	2	• • • WASHER, Lock (5/16")
	103999	10	• • • WASHER, Lock (3/8")
	103996	2	• • • WASHER, Flat (5/16")
	103472	7	• • • WASHER, Flat (3/8")
	152200	10	• • • WASHER, Flat (3/8", USS)
103978	10	• • • NUT (3/8"-16)	
4	149496	9	• NUT, Speed clip (1/4"-20 x 1/5" depth)
5	103995	17	• WASHER, Flat (1/4")
6	103892	9	• BOLT, Hex head (1/4"-20 x 5/8" Grade 5)
7	104379	13	• WASHER, Flat hardened (1/2")
8	103470	1	• WASHER, Lock (1/2", Grade 5)
9	116997	1	• BOLT, Hex head (1/2"-13 x 1 3/4" Grade 5)
10	103909	4	• BOLT, Hex head (1/2"-13 x 1 1/4" Grade 5)
11	103471	4	• NUT, Hex head (1/2"-13, Grade 5)
12	149198	1	• PLATE, Baffle
13	149357	75"	• SEAL, Bulb
14	115649	4	• NUT, Hex lock (1/4"-20 Grade 5, nylon)
15	125959	1	• WASHER, Flat hardened (3/8")
16	138464	1	• BOLT, Hex head (3/8"-16 x 5/8" Grade 5)
17	152556	1	• SHROUD, Under radiator (GM)
18	152416	2	• WASHER, Rubber (1x 3/7 x 1/8 TK)
19	104606	2	• NUT, Hex lock (3/8"-16 Grade 5, nylon)
20	101297	2	• BOLT, Hex head (3/8"-16 x 1 1/4" Grade 5)
21	103472	2	• WASHER, Flat (3/8")
22	103999	1	• WASHER, Lock (3/8")

## 7.10 Radiator & Air Intake - Kubota WG2503

Index No.	Skyjack Part No.	Qty.	Description
-	168708	1	RADIATOR ASSEMBLY
1	168423	1	• RADIATOR, Kubota WG2503
2	169273	1	• GUARD, Fan
-	168424	1	• BRACKET KIT, Radiator
3	194635	1	• • HOSE, Lower
4	194636	1	• • HOSE, Upper
5	194637	2	• • ISOLATOR (46.4 mm x 51.21 mm, 0.50"-13))
6	194638	4	• • ISOLATOR (25 mm x 19 mm, M8-1.25)
7	147142	1	• RESERVOIR, Coolant
8	102984	35"	• LINE, Fuel (0.3125")
9	102984	12"	• LINE, Fuel (0.3125")
10	133222	2	• CLAMP, Hose (2.00")
11	104528	2	• CLAMP, Hose (1.75")
12	163521	3	• CLAMP, Hose (0.63")
13	149495	3	• CLAMP, Tube (0.50")
14	116218	11	• WASHER, Lock (M8)
15	133174	10	• BOLT, Hex head (M8-1.25 x 20 gr 8.8)
16	933655	3	• BOLT, Hex head (M8-1.25 x 25 gr 8.8)
17	103901	2	• BOLT, Hex head (0.50"-13 x 2.50" gr 5)
18	103856	1	• BOLT, Hex head (0.25"-20 x 0.75" gr 5)
19	104379	2	• WASHER, Flat (0.50" SAE hardened)
20	166164	5	• WASHER, Flat (0.312" USS)
21	103995	2	• WASHER, Flat (0.0.25")
22	103470	2	• WASHER, Lock (0.50" gr 5)
23	133232	4	• WASHER, Flat (M8)
24	933832	2	• WASHER, Flat (M8 - OD 16.0)
25	115649	1	• NUT, Hex head nylon lock (0.25"-20 gr 5)
26	149496	6	• NUT, Speed clip (0.25"-20 x 0.50")
27	933696	2	• NUT, Hex head nylon lock (M8-1.25)
-	170812	1	AIR INTAKE ASSEMBLY
28	170814	1	• BAFFLE, Kubota
29	170813	1	• TRAY, Baffle plate
30	168990	1	• TUBE, Side port
31	170815	1	• BRACKET, Breather
32	164757	1	• BAND, Mounting - air cleaner
33	164760	1	• CLEANER, Air - EP100
	195293	1	• • ELEMENT, Primary
	195294	1	• • ELEMENT, Secondary

## 7.15 Engine Coupling - Kubota



M170745AA

Index No.	Skyjack Part No.	Qty.	Description
-	170745	1	BELL HOUSING ASSEMBLY - <b>Kubota WG2503</b>
1	103848	6	• BOLT, Hex head (M10 x 1.25 x 20mm, Grade 8.8)
2	132497	6	• WASHER, Lock (M10)
3	600315	6	• WASHER, Flat (M10)
-	168628	1	• HOUSING ASSEMBLY
4	194719	1	• • HOUSING, Bell
5	194720	1	• • COUPLING, Spline
6	168053	8	• BOLT, Socket head cap screw (M10 x 1.50 x 25mm, Grade 8.8)

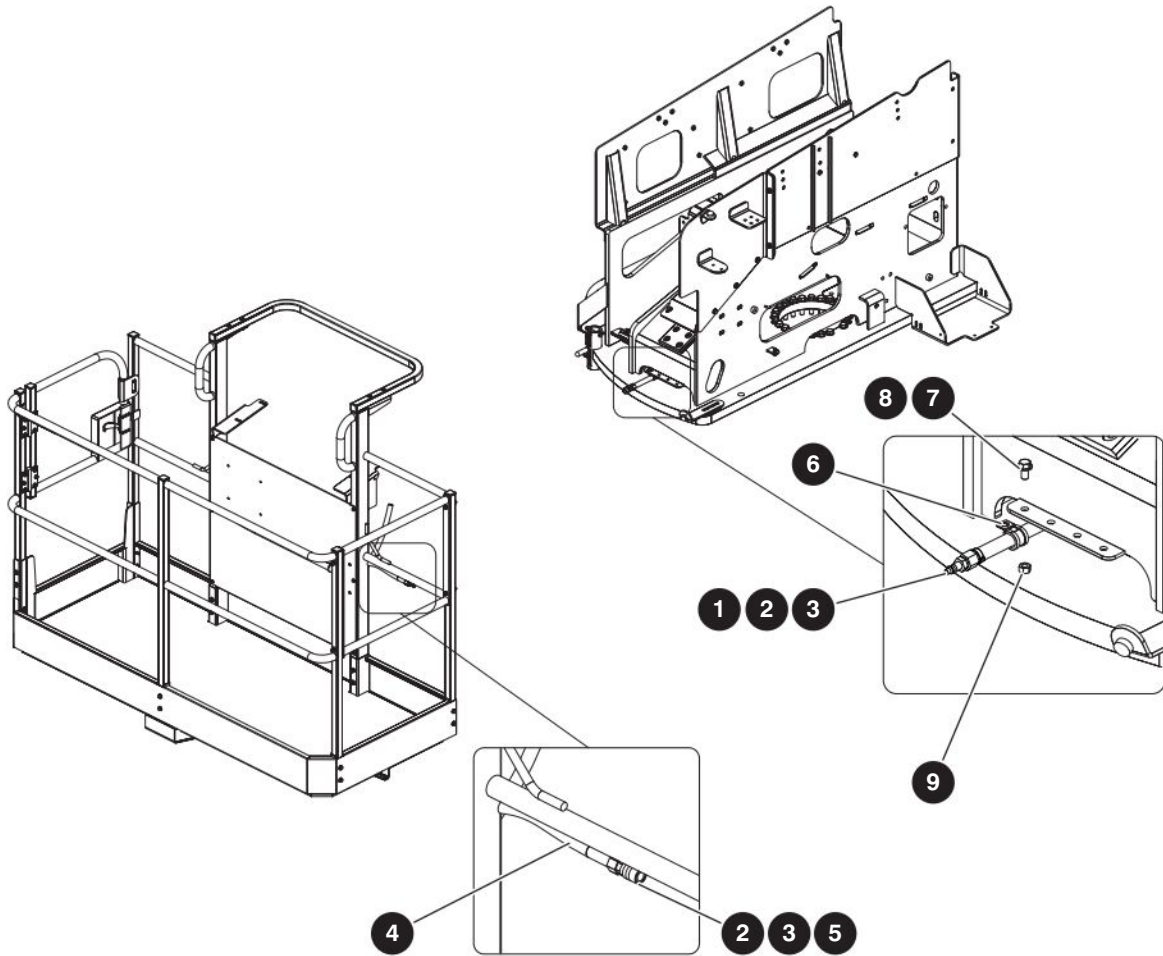
## 8.4 Hydraulic Hoses - Pumps (S/N 95 002 084 & below)

Index No.	Hose P/N	From		To		
		Description	Port	Port	Description	
-	166807	DRIVE PUMP HOSE KIT - <b>S/N 95 002 084 &amp; below</b>				
1	H3712 0062 0	Drive Pump	D2	T5	Hydraulic Tank (P. Case Drain)	
2	H4004 0080 0	Drive Pump	Ma	M1	Brake Manifold	
3	H4004 0080 0	Drive Pump	Mb	M2	Brake Manifold	
4	H3816 0057 0	Drive Pump	S	T2	Hydraulic Tank (Drive Suction)	
5	H3404 0062 0	Drive Pump	C1	3	Rotary Manifold	
6	H0412 0053 0	Drive Pump	A	8	Rotary Manifold	
7	H0412 0050 0	Drive Pump	B	7	Rotary Manifold	
8	131732	Sleeve, Nylon (24")	-	-		
9	131732	Sleeve, Nylon (19")	-	-		
10	131732	Sleeve, Nylon (13")	-	-		
11	131732	Sleeve, Nylon (24")	-	-		
-	166841	SYSTEM & AUXILIARY PUMP HOSE KIT				
12	H3916 0059 0	System Pump (Suction)	OUT	T1	Hydraulic Tank	
13	H3204 0042 0	Main Manifold	P	LS	Brake Manifold	
14	H1708 0007 0	Hydraulic Tank (H.P. Suction)	T4	IN	Auxiliary Pump	
15	H3404 0034 0	Auxiliary Pump	OUT	AUX	Main Manifold	
16	H5106 0018 0	Brake Manifold	T	T3	Main Manifold	
17	144087	Straight Fitting (08 BARB - 08 JICFS)				
18	144094	Hose Clamp (19-21 Mikalor)				
-	166752	NO OIL COOLER HOSE HOSE				
19	H5112 0030 0	Return Filter	IN	T1	Main Manifold	
20	H5108 0086 0	Pressure Filter	OUT	P	Main Manifold	
21	H5410 0039 0	Pressure Filter	IN	-	System Pump	

## 8.9 Fuel Lines - Deutz D2011

Index No.	Skyjack Part No.	Qty.	Description
-	148652	-	FUEL LINE ASSEMBLY - <i>Deutz D2011</i>
1	102984	102"	<ul style="list-style-type: none"> <li>• HOSE, Fuel line (5/16" ID)</li> <li>• HOSE, Fuel line (5/16" ID)</li> <li>• CLAMP, Gear (SAE #4, 1/4"-13/16")</li> <li>• CLIP, Double</li> <li>• PLUG, Hex (06 ORBM)</li> </ul>
2	102984	92"	
3	103321	3	
4	103078	1	
5	139171	2	

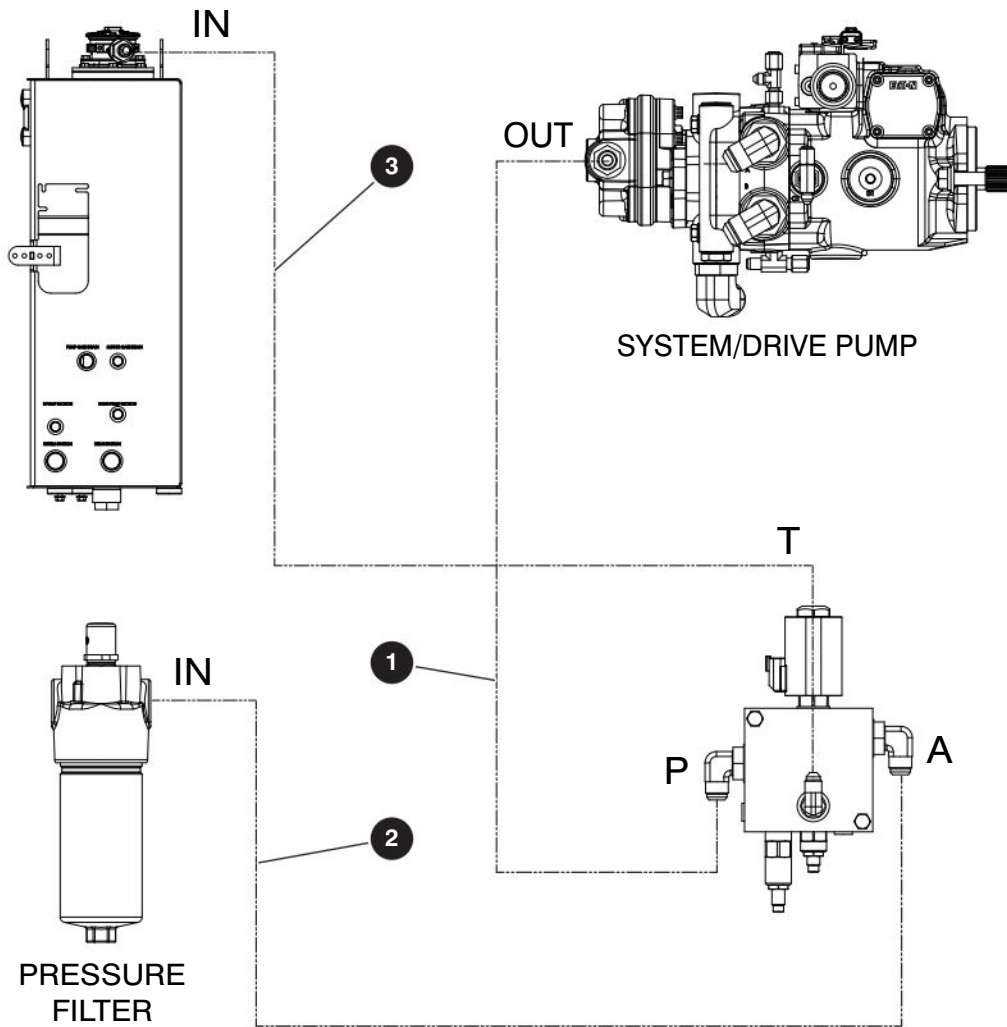
## 9.2 Air Hose To Platform



M148598AC

Index No.	Skyjack Part No.	Qty.	Description
<b>A</b>	148598	-	AIR HOSE TO PLATFORM - <b>SJ46AJ</b>
<b>B</b>	148599	-	AIR HOSE TO PLATFORM - <b>SJ51AJ</b>
1	107883	1	• FITTING, Male disconnect (16.1262)
2	109050	2	• FITTING, Hose barb (Brass)
3	107886	2	• CLAMP
4	107884	734"	• HOSE, Air (1/2" diameter), <b>A</b>
		818"	• HOSE, Air (1/2" diameter), <b>B</b>
5	107882	1	• FITTING, Female disconnect (#B22E)
6	152402	1	• CLAMP, Tube
7	101632	1	• BOLT, Hex head (3/8"-16 x 3/4 Grade 5)
8	103472	1	• WASHER, Flat (3/8")
9	103978	1	• NUT, Hex head (3/8"-16 Grade 5)

# 9.10 Load Circuit Hose Kit - Deutz D2.9L



M194976AB

Index No.	Hose P/N	From		To	
		Description	Port	Port	Description
-	194976	LOAD CIRCUIT HOSE KIT - <b>Cold &amp; Arctic Packages with Deutz D2.9L engine</b>			
1	H5410 0020 0	System Pump	OUT	P	Load Circuit Manifold
2	H5110 0043 0	High Pressure Filter	IN	A	Load Circuit Manifold
3	H540801200	Hydraulic Tank	IN	T	Load Circuit Manifold

## 9.15 Generator & Oil Cooler - 3.5kW - SJ46AJ

Index No.	Skyjack Part No.	Qty.	Description
<b>A</b>	166730	1	GENERATOR & OIL COOLER ASSEMBLY - 3.5kW - <b>SJ46AJ ANSI/CSA</b>
<b>B</b>	166731	1	GENERATOR & OIL COOLER ASSEMBLY - 3.5kW - <b>SJ46AJ CE</b>
1	(Ref.)	1	<ul style="list-style-type: none"> <li>OIL COOLER WIRING (not shown) (For components, refer to 9.14 Oil Cooler Wiring)</li> </ul>
2	(Ref.)	1	<ul style="list-style-type: none"> <li>GENERATOR WIRING - 3.5kW (not shown) (For components, refer to 9.19 Generator Wiring - 3.5kW)</li> </ul>
3	(Ref.)	1	<ul style="list-style-type: none"> <li>GENERATOR HOSE KIT (For components, refer to 9.18 Hydraulic Hoses - 3.5 kW Generator &amp; Oil Cooler)</li> </ul>
-	166736	1	<ul style="list-style-type: none"> <li>OIL COOLER ASSEMBLY</li> </ul>
4	162962	1	<ul style="list-style-type: none"> <li>BRACKET, Mount</li> </ul>
5	162967	1	<ul style="list-style-type: none"> <li>BRACKET, Mount</li> </ul>
6	162964	1	<ul style="list-style-type: none"> <li>BRACKET, Oil cooler mount RH</li> </ul>
7	162963	1	<ul style="list-style-type: none"> <li>BRACKET, Oil cooler mount LH</li> </ul>
8	160800	1	<ul style="list-style-type: none"> <li>OIL COOLER, 12V DC</li> </ul>
	169245	1	<ul style="list-style-type: none"> <li>THERMOSTAT, Oil cooler</li> </ul>
9	103472	26	<ul style="list-style-type: none"> <li>WASHER, Flat (0.375")</li> </ul>
0	103870	4	<ul style="list-style-type: none"> <li>BOLT, Hex head (0.375"-16 x 1.50" Grade 5)</li> </ul>
11	104606	12	<ul style="list-style-type: none"> <li>NUT, Hex head nylon lock (0.375"-16 Grade 5)</li> </ul>
12	103871	2	<ul style="list-style-type: none"> <li>BOLT, Hex head (0.375"-16 x 1.75" Grade 5)</li> </ul>
13	103596	2	<ul style="list-style-type: none"> <li>BOLT, Hex head (0.375"-16 x 2.00" Grade 5)</li> </ul>
14	101297	6	<ul style="list-style-type: none"> <li>BOLT, Hex head (0.375"-16 x 1.25" Grade 5)</li> </ul>
15	152593	1	<ul style="list-style-type: none"> <li>PAD, Wear (5.00" X 4.00" X 3.329")</li> </ul>
16	(Ref.)	1	<ul style="list-style-type: none"> <li>DRIVE/SYSTEM PUMP (For components, refer to 7.11 Drive and System Pump)</li> </ul>
17	(Ref.)	1	<ul style="list-style-type: none"> <li>UPPER CONTRL BOX WIRING - 3.5kW generator (not shown) (For components, refer to 9.19 Generator Wiring - 3.5kW)</li> </ul>
18	103870	4	<ul style="list-style-type: none"> <li>BOLT, Hex head (0.375"-16 x 1.50" Grade 5)</li> </ul>
19	106049	2	<ul style="list-style-type: none"> <li>BOLT, Carriage (0.313"-18 x 1.25" Grade 5)</li> </ul>
20	702856	1	<ul style="list-style-type: none"> <li>FITTING, Elbow 90° (08 JICM - 08 JICFSW)</li> </ul>
21	703284	1	<ul style="list-style-type: none"> <li>FITTING, Elbow 90° (12 JICM -12 JICFSW)</li> </ul>
22	105445	1	<ul style="list-style-type: none"> <li>FITTING, Elbow 90° (12 JICM - 12 ORBM)</li> </ul>
23	135061	1	<ul style="list-style-type: none"> <li>FITTING, Branch tee (08 JICM - 08 JICM - 08 ORBM)</li> </ul>
24	707277	1	<ul style="list-style-type: none"> <li>FITTING, Branch tee (12 JICM - 12 JICM - 12 ORBM)</li> </ul>
25	110498	1	<ul style="list-style-type: none"> <li>FITTING, Straight (08 JICM - 06 ORBM)</li> </ul>
26	703412	1	<ul style="list-style-type: none"> <li>FITTING, Straight (12 JICF - 08 JICM)</li> </ul>
27	(Ref.)	1	<ul style="list-style-type: none"> <li>GENERATOR (3.5kW - 60Hz AC) (For components, refer to 9.17 Generator - 3.5 kW)</li> </ul>
28	103984	2	<ul style="list-style-type: none"> <li>NUT, Hex head nylon lock (0.313"-18 Grade 5)</li> </ul>
29	166735	1	<ul style="list-style-type: none"> <li>PLATE, Generator mount</li> </ul>
30	103996	2	<ul style="list-style-type: none"> <li>WASHER, Flat (0.312")</li> </ul>
31	103472	9	<ul style="list-style-type: none"> <li>WASHER, Flat (0.375")</li> </ul>
32	112366	1	<ul style="list-style-type: none"> <li>FITTING, Elbow 90° (08 JICM - 12 ORBM)</li> </ul>
33	103596	4	<ul style="list-style-type: none"> <li>BOLT, Hex head (0.375"-16 x 2.00" Grade 5)</li> </ul>

## 9.18 Hydraulic Hoses - 3.5 kW Generator & Oil Cooler

Index No.	Hose P/N	From		To	
		Description	Port	Port	Description
-	166734	3.5kW GENERATOR & OIL COOLER HOSE KIT - <b>SJ46AJ ANSI/CSA &amp; CE</b>			
1	H5406 0037 0	Generator (Case Drain)	-	T4	Hydraulic Tank
2	H5408 0053 0	Oil Cooler	IN	-	Generator (Return)
3	H5208 0050 0	Pressure Filter	OUT	P2	Generator Manifold (Pressure)
4	H5408 0061 0	Generator Manifold (Auxiliary)	P3	P	Main Manifold
5	H5412 0027 0	Oil Cooler	OUT	IN	Return Filter (Hydraulic Tank)
6	H5112 0067 0	Oil Cooler	IN	T1	Main Manifold
7	H5410 0039 0	Pressure Filter	IN	-	System Pump
-	167841	3.5kW GENERATOR & OIL COOLER HOSE KIT - <b>SJ51AJ CE</b>			
1	H5406 0037 0	Generator (Case Drain)	-	T4	Hydraulic Tank
2	H5408 0036 0	Oil Cooler	IN	-	Generator (Return)
3	H5208 0050 0	Pressure Filter	OUT	P2	Generator Manifold (Pressure)
4	H5408 0061 0	Generator Manifold (Auxiliary)	P3	P	Main Manifold
5	H5412 0100 0	Oil Cooler	OUT	IN	Return Filter (Hydraulic Tank)
6	H5112 0135 0	Oil Cooler	IN	T1	Main Manifold
7	H5410 0039 0	Pressure Filter	IN	-	System Pump

## 9.23 Generator & Oil Cooler - SJ51AJ - 7.5 kW

Index No.	Skyjack Part No.	Qty.	Description
<b>A</b>	220530	1	GENERATOR & OIL COOLER - 7.5 kW - <b>SJ51AJ AS S/N &amp; above</b>
<b>B</b>	213069	1	GENERATOR & OIL COOLER - 7.5 kW - <b>SJ51AJ AS S/N &amp; below</b>
1	167817	1	• MOUNT, Oil cooler - LH
2	167816	1	• MOUNT, Oil cooler - RH
3	166788	1	• MOUNT, Cooler angle
4	160800	1	• COOLER, Hydraulic oil - 12 V DC
5	169526	1	• MANIFOLD, Generator control (For components, refer to 9.25 Generator Manifold - 7.5 kW & 12 kW)
6	166796	1	• PLATE, Manifold spacer
7	166797	1	• PLATE, Manifold mount
8	103996	4	• WASHER, Flat (0.312")
9	103868	2	• BOLT, Hex head (0.312"-18 x 3.5" gr. 5)
10	103984	2	• NUT, Lock (0.313"-18 gr 5 nylon)
11	103472	22	• WASHER, Flat (0.375")
12	103871	2	• BOLT, Hex head (0.375"-16 x 1.75" gr 5)
13	103870	4	• BOLT, Hex head (0.375"-16 x 1.5" gr 5)
14	101297	4	• BOLT, Hex head (0.375"-16 x 1.25" gr 5)
15	104606	10	• NUT, Lock (0.375"-16 gr 5 nylon)
16	104379	8	• WASHER, Flat (0.5" hard)
17	106447	2	• BOLT, Hex head (0.50-13 x 2.25" gr 8)
18	139007	2	• BOLT, Hex head (0.50-13 x 2.0" gr 8)
19	702507	4	• NUT, Lock (0.5"-13 gr C nylon)
20	153305	1	• SCREW, Flat head cap (0.375"-16 x 1.00" gr 5), <b>B</b>
21	103978	1	• NUT, Hex (0.375"-16 gr 5), <b>B</b>
22	110554	1	• FITTING, Run tee (08JICM-08ORBM-08JICM)
23	110498	1	• FITTING, Straight (08JICF-06JICM)
24	703284	2	• FITTING, 90° (12JICM12JICF - SW)
25	105445	2	• FITTING, 90° (12JICM-12ORBM)
26	103071	1	• FITTING, Straight (08JICM-10ORBM)
27	137630	3	• FITTING, Straight (10ORBM-10JICM)
28	138981	2	• FITTING, 90° (10JICM-12ORBM)
29	166843	1	• FITTING, RUN TEE (12JICM-10ORBM-12JICM)
30	135091	1	• FITTING, 90° (10JICM-10ORBM)
31	121250	3	• FITTING, Plug (04ORBM)
32	208843	1	• GENERATOR, Hydraulic - 7.5 kW 50 Hz
33	220529	1	• BRACKET, Generator mount, <b>A</b>
	213060	1	• BRACKET, Generator mount, <b>B</b>
34	703626	1	• FITTING, 90° (10JICM - 10JICFSW)
35	702856	1	• FITTING, 90° (08JICM-08JICFSW)
36	103904	2	• BOLT, Hex head (0.5"-13 x 2" gr 5), <b>A</b>
	103870	2	• BOLT, Hex head (0.375"-16 x 1.5" gr 5), <b>B</b>
37	104379	4	• WASHER, Flat (0.5"), <b>A</b>
	103472	4	• WASHER, Flat (0.375"), <b>B</b>
38	702507	2	• NUT, Lock (0.5"-13 gr 5 nylon), <b>A</b>
	104606	2	• NUT, Lock (0.375"-16 gr 5 nylon), <b>B</b>

## 9.28 Circuit Breaker - 12kW Generator

Index No.	Skyjack Part No.	Qty.	Description
-	166832	1	GENERATOR ELECTRICAL ASSEMBLY - 12kW - <b>SJ46AJ ANSI/CSA</b>
-	167376	1	<ul style="list-style-type: none"> <li>• CIRCUIT BREAKER BOX ASSEMBLY</li> </ul>
1	702613	2	<ul style="list-style-type: none"> <li>• • CONNECTOR, Strain relief 1-18" straight</li> </ul>
2	707147	2	<ul style="list-style-type: none"> <li>• • STOP, End</li> </ul>
3	141630	1	<ul style="list-style-type: none"> <li>• • CIRCUIT BREAKER, 15A 1 pole</li> </ul>
4	141631	1	<ul style="list-style-type: none"> <li>• • CIRCUIT BREAKER, 50A 3 pole</li> </ul>
5	144184	1	<ul style="list-style-type: none"> <li>• • TERMINAL BLOCK, 3 cond 8 AWG ground</li> </ul>
6	144185	1	<ul style="list-style-type: none"> <li>• • TERMINAL BLOCK, 3 cond 8 AWG through</li> </ul>
7	141692	1	<ul style="list-style-type: none"> <li>• • LABEL, Hazardous voltage</li> </ul>
8	141704	1	<ul style="list-style-type: none"> <li>• • LABEL, 50A Welder</li> </ul>
9	144177	1	<ul style="list-style-type: none"> <li>• • CABLE ASSEMBLY, 110V, generator</li> </ul>
10	103041	1	<ul style="list-style-type: none"> <li>• • CONNECTOR, Strain relief (blue)</li> </ul>
11	104694	2	<ul style="list-style-type: none"> <li>• • WASHER, Flat (#10)</li> </ul>
12	155545	4	<ul style="list-style-type: none"> <li>• • SCREW, Round head machine (#10-32 x 0.375")</li> </ul>
13	163666	1	<ul style="list-style-type: none"> <li>• • RAIL, Din</li> </ul>
14	144176	1	<ul style="list-style-type: none"> <li>• • WIRE ASSEMBLY, Ground</li> </ul>
15	144178	2	<ul style="list-style-type: none"> <li>• • WIRE SET, Jumper, generator</li> </ul>
16	167427	1	<ul style="list-style-type: none"> <li>• • CABLE ASSEMBLY, Generator to control box</li> </ul>
17	163665	1	<ul style="list-style-type: none"> <li>• • ENCLOSURE, Electrical</li> </ul>
18	163660	1	<ul style="list-style-type: none"> <li>• CABLE, Welder</li> </ul>
19	(Ref.)	1	<ul style="list-style-type: none"> <li>• OIL COOLER WIRING  <ul style="list-style-type: none"> <li>(For components, refer to 9.14 Oil Cooler Wiring)</li> </ul> </li> </ul>
20	(Ref.)	1	<ul style="list-style-type: none"> <li>• UPPER CONTROL BOX GENERATOR WIRING  <ul style="list-style-type: none"> <li>(For components, refer to 9.30 Generator Wiring - 7.5 kW and 12 kW)</li> </ul> </li> </ul>
21	(Ref.)	1	<ul style="list-style-type: none"> <li>• 12kW GENERATOR WIRING  <ul style="list-style-type: none"> <li>(For components, refer to 9.30 Generator Wiring - 7.5 kW and 12 kW)</li> </ul> </li> </ul>
22	103472	2	<ul style="list-style-type: none"> <li>• WASHER, Flat (0.375")</li> </ul>
23	103995	8	<ul style="list-style-type: none"> <li>• WASHER, Flat (0.25")</li> </ul>
24	103891	4	<ul style="list-style-type: none"> <li>• BOLT, Hex head (0.25"-20 x 0.875" Grade 5)</li> </ul>
25	115649	4	<ul style="list-style-type: none"> <li>• NUT, Hex head nylon lock (0.25"-20 Grade 5)</li> </ul>
26	103999	2	<ul style="list-style-type: none"> <li>• WASHER, Lock (0.375")</li> </ul>
27	167324	1	<ul style="list-style-type: none"> <li>• BRACKET, Breaker mount</li> </ul>
28	117430	2	<ul style="list-style-type: none"> <li>• BOLT, Hex head (0.375"-16 x 1.25" Grade 5)</li> </ul>
29	702613	1	<ul style="list-style-type: none"> <li>• CONNECTOR, Strain relief (1-18" straight)</li> </ul>

Index No.	Skyjack Part No.	Qty.	Description
-	169156	1	GLAZIER FIELD KIT
-	169157	1	<ul style="list-style-type: none"> <li>• GLAZIER PACKAGE ASSEMBLY</li> </ul>
-	169158	1	<ul style="list-style-type: none"> <li>• • GLAZIER TRAY ASSEMBLY</li> </ul>
1	154402	1	<ul style="list-style-type: none"> <li>• • • TRAY WELDMENT, Glazier</li> </ul>
2	154401	9	<ul style="list-style-type: none"> <li>• • • PAD, Side tray</li> </ul>
3	154399	2	<ul style="list-style-type: none"> <li>• • • PAD, End tray</li> </ul>
4	154400	4	<ul style="list-style-type: none"> <li>• • • PAD, In tray</li> </ul>
5	162116	30	<ul style="list-style-type: none"> <li>• • • BOLT, Flat head cap screw (5/16"-18 x 1.00", Grade 5)</li> </ul>
6	103996	30	<ul style="list-style-type: none"> <li>• • • WASHER, Flat (5/16")</li> </ul>
7	103984	30	<ul style="list-style-type: none"> <li>• • • NUT, Hex head nylon lock (5/16-18, Grade 5)</li> </ul>
8	144491	1	<ul style="list-style-type: none"> <li>• • FOAM, Support</li> </ul>
9	144604	1	<ul style="list-style-type: none"> <li>• • COVER, Bumper</li> </ul>
10	144613	1	<ul style="list-style-type: none"> <li>• • STRAP, Glazier kit</li> </ul>
11	172630	1	<ul style="list-style-type: none"> <li>• • LABEL, Panel cradle capacity</li> </ul>
12	171238	1	<ul style="list-style-type: none"> <li>• • LABEL, Panel option weight</li> </ul>
13	162026	1	<ul style="list-style-type: none"> <li>• INSTRUCTION, Glazier package operation and installation (not shown)</li> </ul>

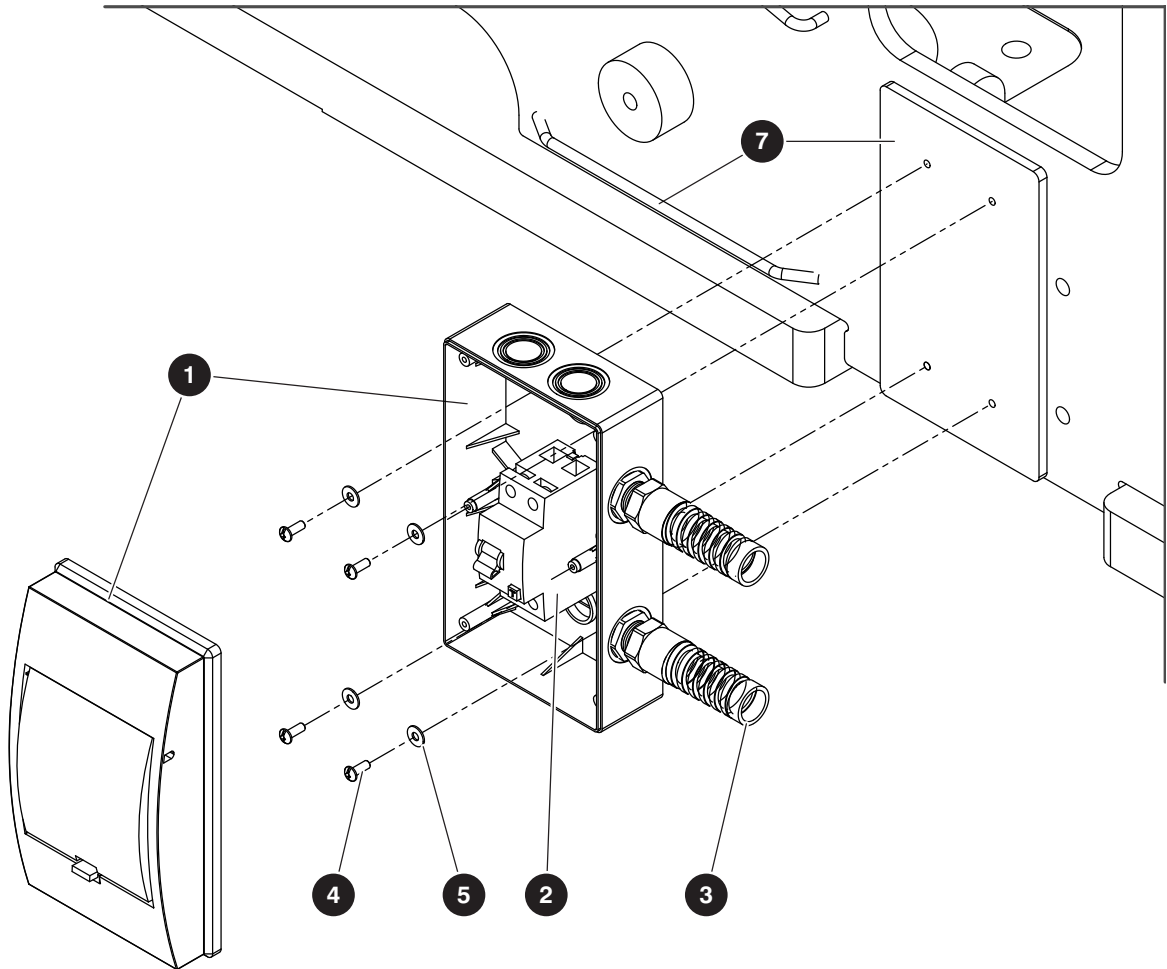
## 9.37 Positive Air Shutoff - Deutz D2011

Index No.	Skyjack Part No.	Qty.	Description
-	195417	1	POSITIVE AIR SHUTOFF INSTALLATION - <b>Deutz D2011</b>
1	195326	1	• VALVE, PASO
2	171821	1	• LIMITER, Automatic rev
3	171899	1	• BREAKER, Circuit - automatic
4	171826	1	• COVER, Toggle safety (red)
5	115574	1	• SWITCH, Toggle (1NT1-2)
6	195379	1	• GASKET, PASO - Deutz D2011
7	(Ref.)	1	BASE CONTROLS with Positive Air Shut-Off Option - <b>Deutz D2011</b> (For components, refer to 4.20 Base Control Box - Deutz D2011, GM & Kubota)
8	195144	1	• HARNESS, Positive air shutoff
9	169923	1	• LABEL, Positive air shutoff

## 9.41 Half-Height Platform Mesh

Index No.	Skyjack Part No.	Qty.	Description
<b>A</b>	211779	1	• HALF HEIGHT MESH KIT for 6' / 1.83 m Side Entry Platform
<b>B</b>	211780	1	• HALF HEIGHT MESH KIT for 5' / 2.44 m Side Entry Platform
<b>Parts list continued from the previous page.</b>			
15	208942	1	• • MESH, Gate
16	211608	1	• • MESH, Front - 30" x 72" / 0.76 m x 1.83 m platform, <b>A</b>
	211610	1	• • MESH, Front - 30" x 60" / 0.76 m x 1.52 m platform, <b>B</b>
17	211606	1	• • MESH, Rear - 30" x 72" / 0.76 m x 1.83 m platform, <b>A</b>
	211609	1	• • MESH, Rear - 30" x 60" / 0.76 m x 1.52 m platform, <b>B</b>
18	211605	1	• • MESH, Side - 30" / 0.76 m platform, <b>A, B</b>
19	209030	12	• • CLAMP, Loop - cushioned (#19), <b>A, B</b>
20	103891	12	• • BOLT, Hex head (0.25"-20 x 0.875" gr 5), <b>A, B</b>
21	103856	12	• • BOLT, Hex head (0.25"-20 x 0.75" gr 5), <b>A, B</b>
22	103995	48	• • WASHER, Flat (0.25"), <b>A, B</b>
23	115649	24	• • NUT, Lock (0.25"-20 gr 5 nylon), <b>A, B</b>
24	103632	2	• • BOLT, Self-tapping hex head (0.25"-14 x 0.75")
25	172519	1	• • LABEL, Mesh weight (25 kg/55 lb)
26	211727	1	• INSTRUCTION, Half height platform mesh installation (not shown)

## 9.44 Residual Current Device (RCD)



M196062AB

Index No.	Skyjack Part No.	Qty.	Description
-	196062	1	RESIDUAL CURRENT DEVICE (RCD)
1	196027	1	• ENCLOSURE, RCD
2	168379	1	• RCCB, Type A - Doepke DFS 2A
3	158212	2	• RELIEF, Strain (PG-13.5)
4	103962	4	• SCREW, Round head machine (10-32 x 0.50")
5	117542	120"	• CABTIRE, 14/3 (not shown)
6	117952	4	• WASHER, Seal (0.203" ID x 0.50" OD x 0.40")
7	195056	1	• PLATE & BAR MODIFICATION, RCD

## 10.1 Label Kits

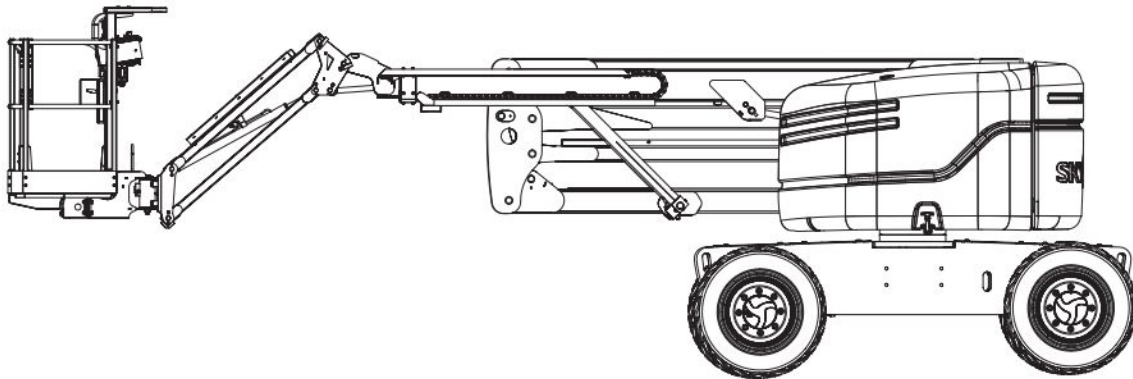
The following label kits contain all of the labels required for a complete standard machine, with the exception of:

- Serial number plates
- Platform capacity labels
- Base control box labels
- Engine- and fuel-specific labels
- Powerline clearance label for AS
- Safety tape
- Model numbers

Contact Skyjack Parts to order those labels individually.

Supply the model number, country and language when ordering label kits.

LABEL KITS			
Model	ANSI/CSA	CE	AS
	166309	166310	166311
SJ46AJ	95 000 657 & above	95 000 657 & above	95 000 657 & above
SJ51AJ	N/A	95 000 657 & above	95 000 657 & above



CLICK HERE TO **DOWNLOAD** THE COMPLETE MANUAL

- Thank you very much for reading the preview of the manual.
- You can download the complete manual from: [www.heydownloads.com](http://www.heydownloads.com) by clicking the link below



- Please note: If there is no response to CLICKING the link, please download this PDF first and then click on it.

CLICK HERE TO **DOWNLOAD** THE COMPLETE MANUAL