



PARTS MANUAL

ARTICULATING BOOMS

MODELS **SJ46AJ** **SJ51AJ**

168893AE November 2016

SKYJACK

CLICK HERE TO **DOWNLOAD** THE COMPLETE MANUAL

- Thank you very much for reading the preview of the manual.
- You can download the complete manual from: www.heydownloads.com by clicking the link below



- Please note: If there is no response to CLICKING the link, please download this PDF first and then click on it.

CLICK HERE TO **DOWNLOAD** THE COMPLETE MANUAL

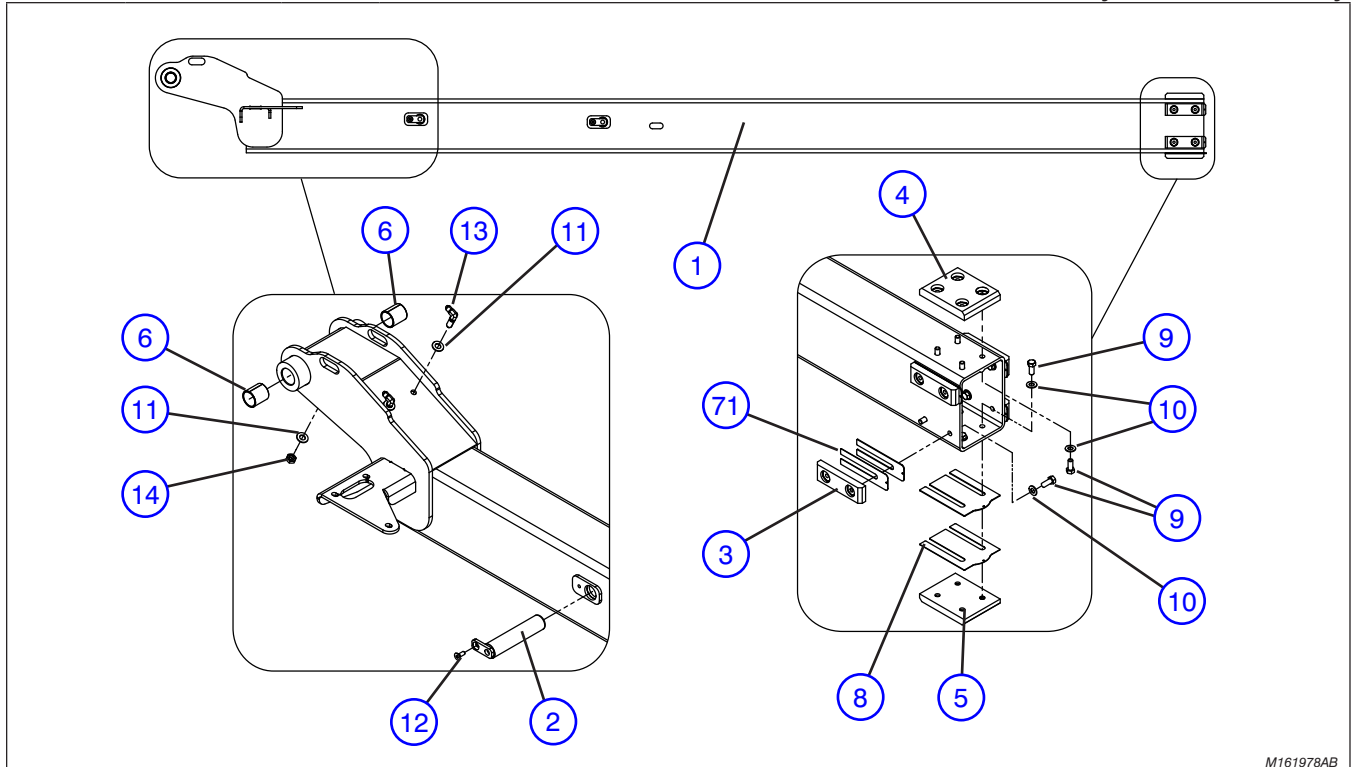
1.2 Railings & Base

| Index No. | Skyjack Part No. | Qty. | Description |
|-----------|------------------|------|---|
| A | 161002 | 1 | PLATFORM ASSEMBLY (30" x 60") ANSI/CSA |
| B | 161003 | 1 | PLATFORM ASSEMBLY (30" x 60") CE & AS |
| C | 161004 | 1 | PLATFORM ASSEMBLY (30" x 72") ANSI/CSA |
| D | 161005 | 1 | PLATFORM ASSEMBLY (30" x 72") CE & AS |
| 1 | 160959 | 1 | • BASE, Platform A |
| | 160960 | 1 | • BASE, Platform B |
| | 160961 | 1 | • BASE, Platform C |
| | 160962 | 1 | • BASE, Platform D |
| 2 | 160996 | 1 | • RAILING, Front left A, B |
| | 160997 | 1 | • RAILING, Front left C, D |
| 3 | 160998 | 1 | • RAILING, Front right, A, B |
| | 160999 | 1 | • RAILING, Front right C, D |
| 4 | 165823 | 1 | • RAILING, Rear A, B |
| | 165820 | 1 | • RAILING, Rear C, D |
| 5 | 100702 | 6 | • CAP, Plastic end |
| 6 | 149098 | 1 | • RAILING, Front |
| 7 | 159586 | 1 | • PLATE, Front guard |
| 8 | 117293 | 1 | • MANUAL BOX |
| 9 | 103984 | 18 | • NUT, Centerlock (5/16"-18 Grade 8) |
| 10 | 115649 | 4 | • NUT, Hex lock (1/4"-20 Grade 5, nylon) |
| 11 | 103996 | 36 | • WASHER, Flat (5/16") |
| 12 | 103995 | 4 | • WASHER, Flat (1/4") |
| 13 | 139008 | 4 | • SCREW, Round head machine (5/16"-18 x 2") |
| 14 | 103632 | 4 | • SCREW, Hex head self tapping (1/4"-14 x 3/4") |
| 15 | 103866 | 4 | • BOLT, Hex head (5/16"-18 x 2 1/4" Grade 5) |
| 16 | 103856 | 4 | • BOLT, Hex head (1/4"-20 x 3/4" Grade 5) |
| 17 | 103865 | 10 | • BOLT, Hex head (5/16"-18 x 2" Grade 5) |
| 18 | 700598 | 4 | • WASHER, Fender |
| 19 | (Ref). | 1 | • LOAD CELL B, D (For components, refer to Section 1.5) |

1.8 Boom / Turret Controller Assembly (Dual Axis)

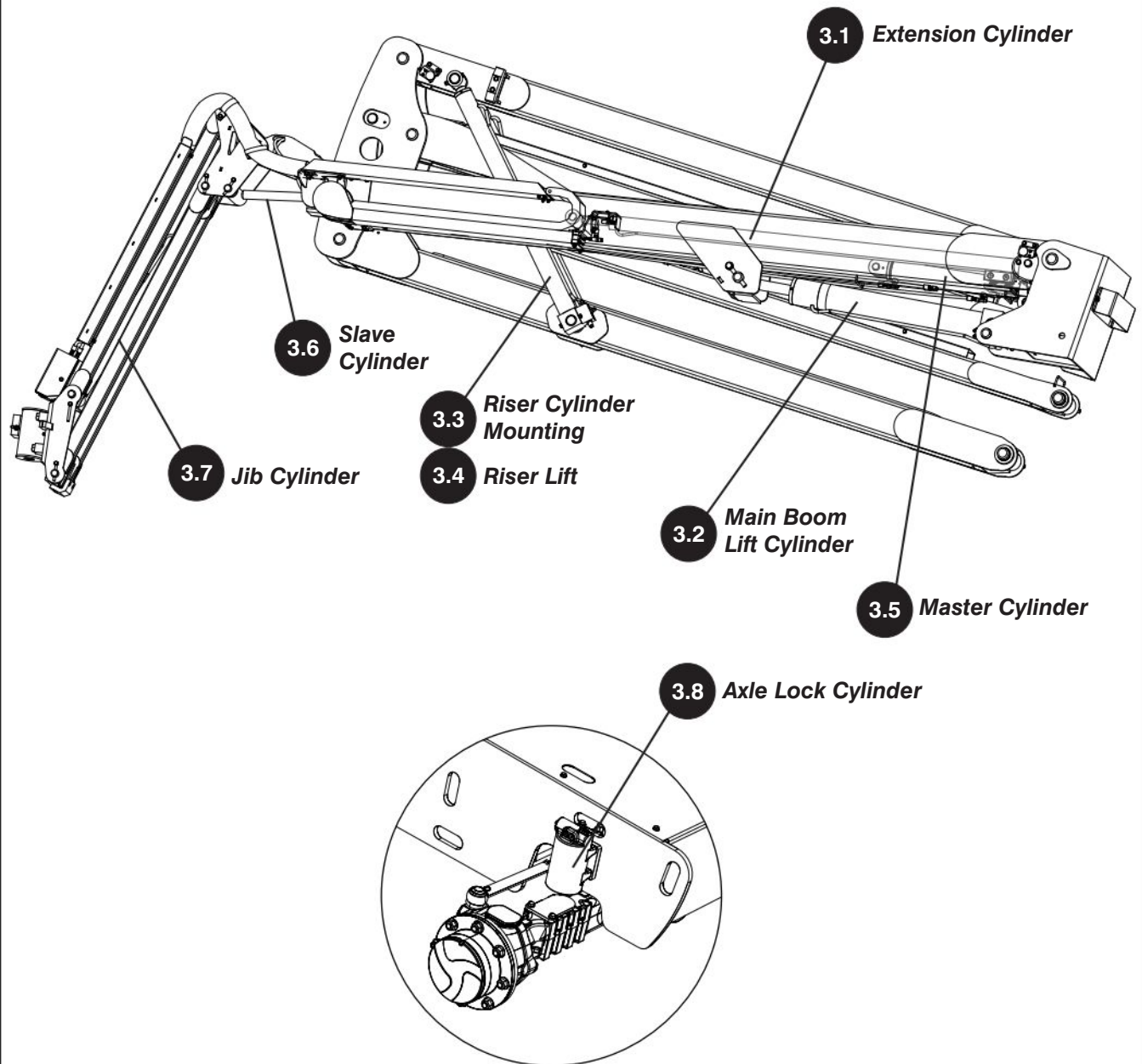
| Index No. | Skyjack Part No. | Qty. | Description |
|-----------|------------------|------|---|
| - | 138225 | 1 | BOOM / TURRET CONTROLLER ASSEMBLY (DUAL AXIS) |
| 1 | 141326 | 1 | • CAP, Rubber |
| 2 | 141327 | 2 | • GASKET |
| 3 | 141325 | 1 | • KIT, Handle |
| 4 | 141328 | 4 | • NUT |
| 5 | 141329 | 4 | • SCREW |
| 6 | 141331 | 2 | • SCREW, Set |
| 7 | 141330 | 1 | • COUPLING, (10 mm) |
| 8 | 141313 | 1 | • BOOT |
| 9 | 141323 | 1 | • WASHER, Retainer |
| 10 | 141315 | 1 | • SHOE, Spring |
| 11 | 141321 | 4 | • SCREW, Mounting (M4) |
| 12 | 141316 | 1 | • CAN, Enclosure |
| 13 | 141320 | 1 | • GROMMET, Rubber |
| 14 | 141317 | 1 | • GASKET, Mounting |
| 15 | 141319 | 4 | • SCREW |
| 16 | 141318 | 1 | • O-RING |
| 17 | 141324 | 1 | • SPRING, Compression |
| 18 | 141322 | 1 | • CLIP, Retainer |

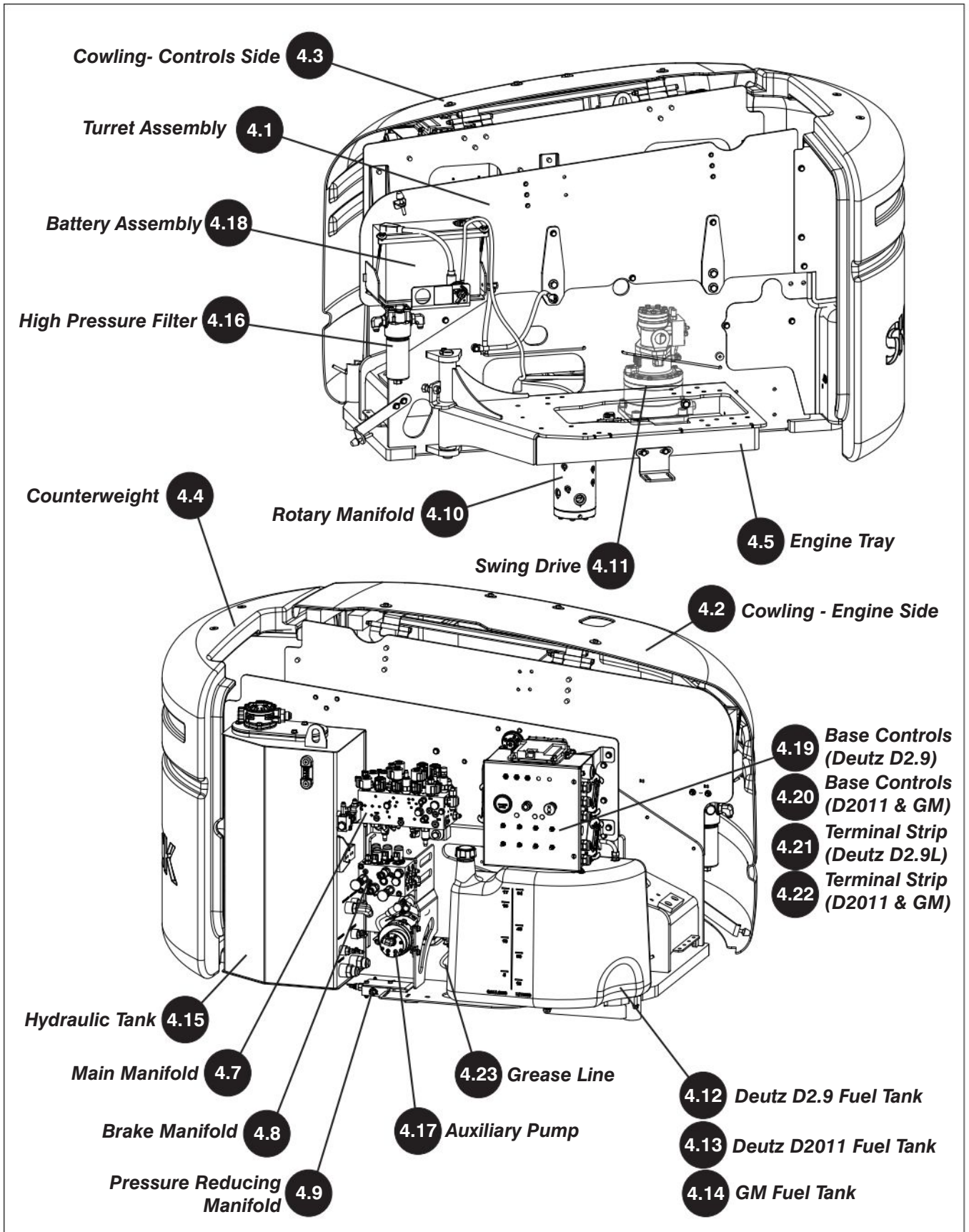
2.3 Fly Boom Assembly



M161978AB

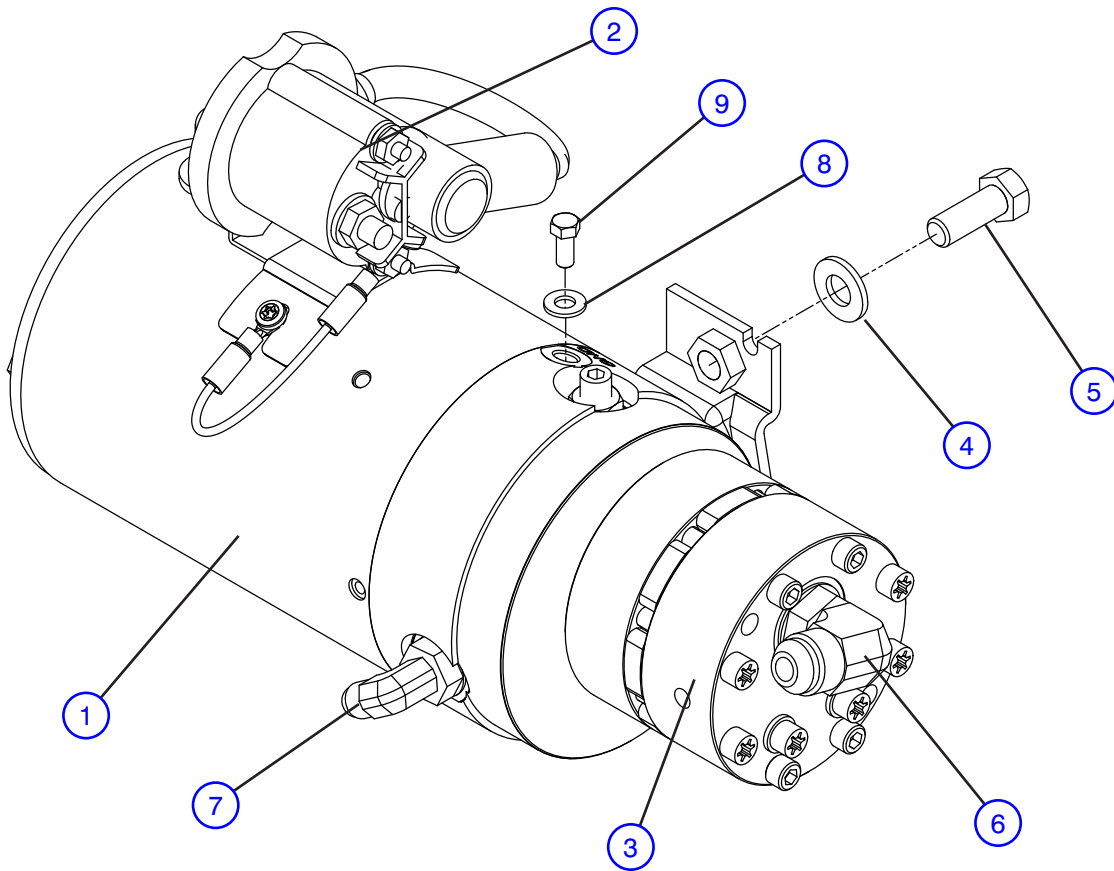
| Index No. | Skyjack Part No. | Qty. | Description |
|-----------|------------------|------|---|
| A | 161978 | 1 | FLY BOOM ASSEMBLY (46AJ) |
| B | 162448 | 1 | FLY BOOM ASSEMBLY (51AJ) |
| 1 | 161986 | 1 | • FLY BOOM WELDMENT, A |
| | 162455 | 1 | • FLY BOOM WELDMENT, B |
| 2 | 148839 | 2 | • PIN WELDMENT (1 1/4" diameter x 5 11/16") |
| 3 | 148828 | 4 | • PAD, Side |
| 4 | 148826 | 1 | • PAD, Top |
| 5 | 148827 | 1 | • PAD, Bottom |
| 6 | 125262 | 2 | • BUSHING, CJS 2024 (1.25" ID x 1.50" lg) |
| 7 | 148837 | AR | • SHIM, 16 Gauge (side) |
| | 148838 | AR | • SHIM, 20 Gauge (side) |
| 8 | 148829 | AR | • SHIM, 16 Gauge (bottom) |
| | 148830 | AR | • SHIM, 20 Gauge (bottom) |
| 9 | 300437 | 16 | • BOLT, Hex head (3/8"-16 x 7/8" Grade 5) |
| 10 | 103472 | 24 | • WASHER, Flat (3/8") |
| 11 | 119313 | 4 | • WASHER, Flat (7/16") |
| 12 | 704642 | 2 | • SCREW, Flat head cap (5/16"-18 x 3/4" Grade 5) |
| 13 | 149418 | 2 | • FITTING, Elbow 90° bulkhead (04 JICM - 04 JICM) |
| 14 | 143963 | 2 | • FITTING, Nut bulkhead (04 JIC) |





| Index No. | Skyjack Part No. | Qty. | Description |
|-----------|------------------|------|---|
| - | 162286 | 1 | ENGINE TRAY ASSEMBLY |
| 1 | 162312 | 1 | <ul style="list-style-type: none"> • ENGINE TRAY WELDMENT |
| 3 | 146903 | 2 | <ul style="list-style-type: none"> • STUD, Ball (10mm) |
| 3 | 146902 | 1 | <ul style="list-style-type: none"> • GAS SPRING |
| 4 | 162319 | 2 | <ul style="list-style-type: none"> • PIN, Pivot (1.25" OD x 2.875") |
| 5 | 162321 | 2 | <ul style="list-style-type: none"> • PLATE, Pin lock (1.25" OD x 0.188") |
| 6 | 121703 | 1 | <ul style="list-style-type: none"> • WASHER, Thrust - fiberglide |
| 7 | 103472 | 2 | <ul style="list-style-type: none"> • WASHER, Flat (3/8") |
| 8 | 103468 | 1 | <ul style="list-style-type: none"> • WASHER, Flat (0.50" SAE AA) |
| 9 | 103996 | 1 | <ul style="list-style-type: none"> • WASHER, Flat (5/16") |
| 10 | 103897 | 1 | <ul style="list-style-type: none"> • BOLT, Hex head (5/8"-16 x 2.00" Grade 5) |
| 11 | 103984 | 1 | <ul style="list-style-type: none"> • NUT, Hex head nylon lock (5/16"-18 Grade 5) |
| 12 | 103473 | 2 | <ul style="list-style-type: none"> • BOLT, Hex head (3/8"-16 x 1.00" Grade 5) |
| 13 | 103981 | 1 | <ul style="list-style-type: none"> • NUT, Hex head (5/8"-11 Grade 5) |
| 14 | 100071 | 2 | <ul style="list-style-type: none"> • BUSHING, Fiberglide |
| 15 | 103907 | 1 | <ul style="list-style-type: none"> • BOLT, Hex head (0.50"-13 x 1.50" Grade 5) |
| 16 | 169579 | 1 | <ul style="list-style-type: none"> • BRACKET, Cowling mount |
| 17 | 125959 | 4 | <ul style="list-style-type: none"> • WASHER, Flat hardened (3/8") |
| 18 | 103870 | 2 | <ul style="list-style-type: none"> • BOLT, Hex head (3/8"-16 x 1.50" Grade 5) |
| 19 | 104606 | 2 | <ul style="list-style-type: none"> • NUT, Hex head (3/8"-16 Grade 5) |

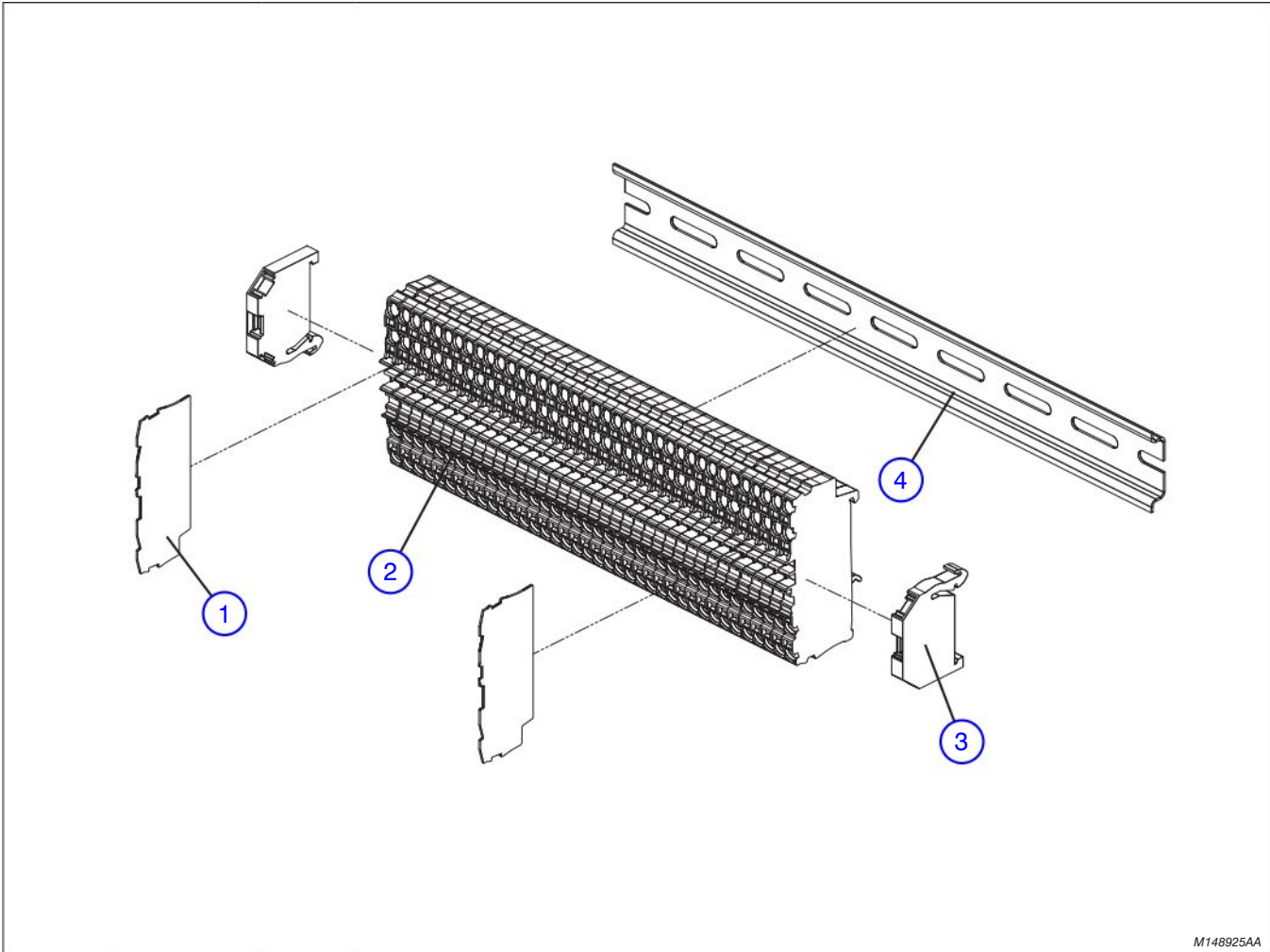
| Index No. | Skyjack Part No. | Qty. | Description |
|-----------|------------------|------|--|
| - | 167709 | - | ROTARY MANIFOLD ASSEMBLY |
| 1 | 149380 | 1 | • MANIFOLD, Rotary |
| 2 | 149378 | 2 | • BRACKET, Rotary manifold |
| 3 | 138956 | 1 | • SPACER, Rotary manifold |
| 4 | 104379 | 1 | • WASHER, Flat hardened (1/2") |
| 5 | 103904 | 1 | • BOLT, Hex head (1/2"-13 x 2" Grade 5) |
| 6 | 103472 | 4 | • WASHER, Flat (3/8") |
| 7 | 101632 | 4 | • BOLT, Hex head (3/8"-16 x 3/4" Grade 5) |
| 8 | 125883 | 7 | • FITTING, Elbow, 90° (04 JICM - 04 ORBM) |
| 9 | 131716 | 4 | • FITTING, Elbow, 45° (04 JICM - 04 ORBM) |
| 10 | 114583 | 1 | • FITTING, Elbow, 90° (08 JICM - 08 ORBM) |
| 11 | 126128 | 3 | • FITTING, Straight (04 JICM - 04 ORBM) |
| 12 | 102659 | 1 | • FITTING, Straight (08 JICM - 08 ORBM) |
| 13 | 139099 | 1 | • FITTING, Elbow, 90° LL (12 JICM - 12 ORBM) |
| 14 | 105445 | 2 | • FITTING, Elbow, 90° (12 JICM - 12 ORBM) |
| 15 | 131707 | 1 | • FITTING, Elbow, 45° (12 JICM - 12 ORBM) |
| K | 154659 | 1 | KIT, Seal (Rotary Manifold) |
| - | 148610 | - | DIRECTION SENSING LIMIT SWITCH |
| 16 | 122007 | 1 | • SWITCH, Limit |
| 17 | 126499 | 2 | • SCREW, Machine round head (#8-32 x 0.88") |



M167489AC

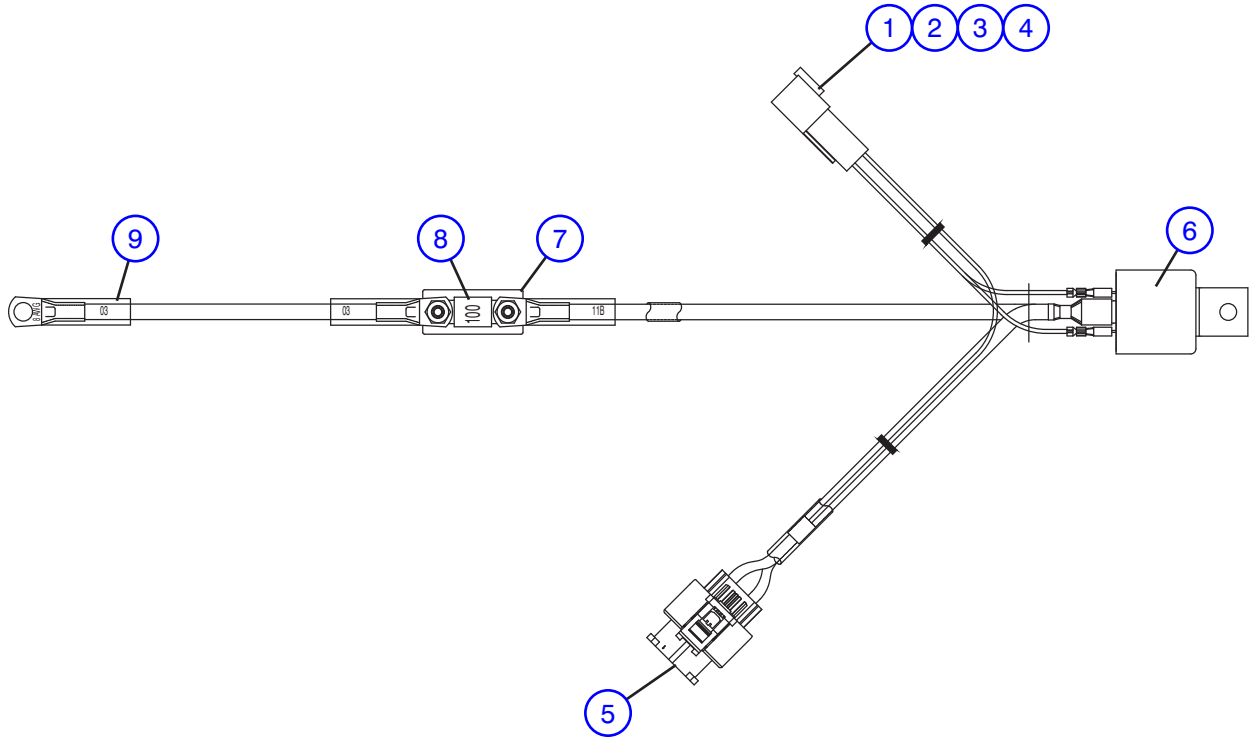
| Index No. | Skyjack Part No. | Qty. | Description |
|-----------|------------------|------|---|
| - | 167489 | 1 | AUXILIARY PUMP |
| - | 160923 | 1 | • PUMP, Auxiliary |
| 1 | 168897 | 1 | • • MOTOR |
| 2 | 168898 | 1 | • • CONTACTOR |
| 3 | 169244 | 1 | • • PUMP |
| 4 | 125959 | 2 | • WASHER, Flat hardened (0.375") |
| 5 | 103473 | 2 | • BOLT, Hex head (0.375"-16 x 1.00" Grade 5) |
| 6 | 114583 | 1 | • FITTING, Elbow, 90° (08 ORBM - 08 JICM) |
| 7 | 129127 | 1 | • FITTING, Elbow, 90° (04 JICM - 06 ORBM) |
| 8 | 103404 | 1 | • WASHER, Lock (0.312") |
| 9 | 148331 | 1 | • BOLT, Hex head (0.312"-18 x 0.625" Grade 5) |

4.22 Base Terminal Strip (GM & Deutz D2011)



M148925AA

| Index No. | Skyjack Part No. | Qty. | Description |
|-----------|------------------|-------|---|
| - | 148925 | 1 | TERMINAL STRIP, Base (GM & Deutz D2011) |
| 1 | 137941 | 2 | • END PLATE |
| 2 | 137940 | 38 | • TERMINAL BLOCK, Through |
| 3 | 707147 | 2 | • END STOP |
| 4 | 102874 | 11.4" | • DIN RAIL |



M165028AB

| Index No. | Skyjack Part No. | Qty. | Description |
|-----------|------------------|------|---|
| - | 165028 | 1 | HARNESS ASSEMBLY, Glow Plug (Deutz D2.9L Engine) |
| - | 165048 | 1 | • HARNESS, Glow plug |
| 1 | 117578 | 1 | • • RECEPTACLE, Connector (4 pin) |
| 2 | 117580 | 1 | • • RECEPTACLE, Connector (4 pin wedge) |
| 3 | 117590 | 3 | • • CONTACT PIN, Connector (16-18) |
| 4 | 117594 | 1 | • • SEALING PLUG, Connector |
| 5 | 165050 | 1 | • • CONNECTOR, (2F TYCO BNG1) |
| 6 | 165029 | 1 | • RELAY, 150A (12V SPST) |
| 7 | 165030 | 1 | • HOLDER, Fuse (Inline) |
| 8 | 165031 | 1 | • FUSE, Bolt-down (100A) |
| 9 | 165049 | 1 | • WIRE ASSEMBLY, Power (Glow plug) |

| Index No. | Skyjack Part No. | Qty. | Description |
|-----------|------------------|------|---|
| 1 | 159289 | 2 | PLATE, Wear pad |
| 2 | 152324 | 4 | BOLT, Hex head (M12 x 1.75 x 25mm, Grade 8.8) |
| 3 | 104379 | 4 | WASHER, Flat hardened (1/2") |
| 4 | 146773 | 4 | BOLT, Hex head (3/4"-10 x 5", Grade 8) |
| 5 | 702194 | 8 | WASHER, Flat hardened (3/4") |
| 6 | 700575 | 8 | NUT, Torque lock (3/4"-10, Grade C) |
| 7 | 152304 | 2 | FITTING, Straight (08 JICM - M18 DIN 3852-1) |
| 8 | 706812 | 2 | FITTING, Straight (08 JICF - 04 JICM) |
| 9 | 148866 | 2 | U-BOLT, Axle mount |
| 10 | 149195 | 1 | FITTING, Straight (04 JICM - 04 BSPPM) |
| 11 | 149181 | 1 | FITTING, Straight (06 JICM - M14 ISO6149) |
| 12 | 139126 | 1 | SEAL, British bonded (04BSPPM) |
| 13 | 152333 | 1 | CLAMP, Tube (5/8" cus double 17/32 hole) |
| 14 | 103909 | 1 | BOLT, Hex head (1/2"-13 x 1.25", Grade 5) |
| 15 | (Ref.) | - | OIL (For components, refer to Section 11.1) |
| 16 | (Ref.) | - | GREASE (For components, refer to Section 11.3) |

CLICK HERE TO **DOWNLOAD** THE COMPLETE MANUAL

- Thank you very much for reading the preview of the manual.
- You can download the complete manual from: www.heydownloads.com by clicking the link below



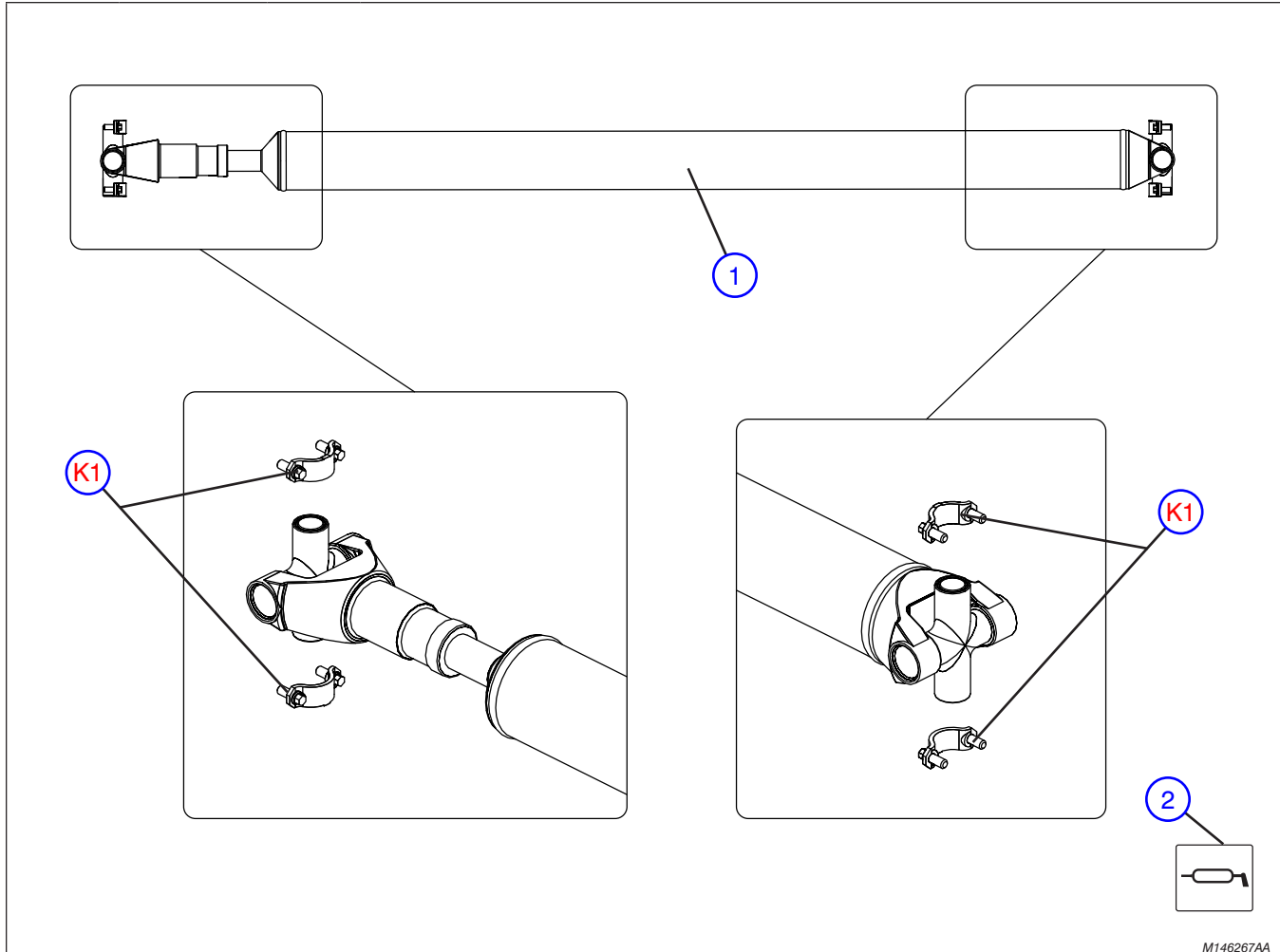
- Please note: If there is no response to CLICKING the link, please download this PDF first and then click on it.

CLICK HERE TO **DOWNLOAD** THE COMPLETE MANUAL

6.7 Gear Box - Rear Axle

| Index No. | Skyjack Part No. | Qty. | Description |
|-----------|------------------|------|--|
| - | 154591 | - | BOX, Gear |
| 1 | 141072 | 4 | • BOLT, Hex |
| 2 | 141373 | 4 | • WASHER, Spring |
| 3 | 154592 | 1 | • COVER |
| 4 | 141363 | 2 | • NUT |
| 5 | 141364 | 4 | • WASHER, Spring |
| 6 | 154593 | 1 | • HOUSING |
| 7 | 141137 | 3 | • BEARING, Ball |
| 8 | 141367 | 2 | • STUD |
| 9 | 141378 | 1 | • SPACER |
| 10 | 141143 | 1 | • PLUG |
| 11 | 154594 | 2 | • SHAFT, Input |
| 12 | 154595 | 2 | • BUSHING |
| 13 | 154596 | 1 | • COVER |
| 14 | 141366 | 1 | • BEARING, Ball |
| 15 | 141370 | 1 | • SEAL |
| 16 | 141371 | 1 | • COVER |
| 17 | 141134 | 1 | • VENT |
| 18 | 141144 | 1 | • PLUG, Magnet |
| 19 | 141383 | 4 | • BOLT |
| 20 | 141375 | 1 | • SPACER |
| 21 | 141376 | 1 | • SHAFT, Output |
| 22 | 141377 | 1 | • SHAFT |
| 23 | 141379 | 2 | • BUSHING, Reduction |
| 24 | 141380 | 10 | • WASHER, Spring |
| 25 | 141381 | 10 | • BOLT |
| 26 | 141149 | 1 | • SEAL |
| 27 | 141374 | 1 | • COVER |
| 28 | 141151 | 1 | • FLANGE |
| 29 | 141152 | 1 | • O-RING |
| 30 | 141372 | 1 | • NUT |
| 31 | (Ref.) | - | OIL (For components, refer to Section 11.1) |
| K1 | 140994 | 2 | KIT, Shim |
| K2 | 141385 | 1 | KIT, Gear |

6.14 Drive Shaft



M146267AA

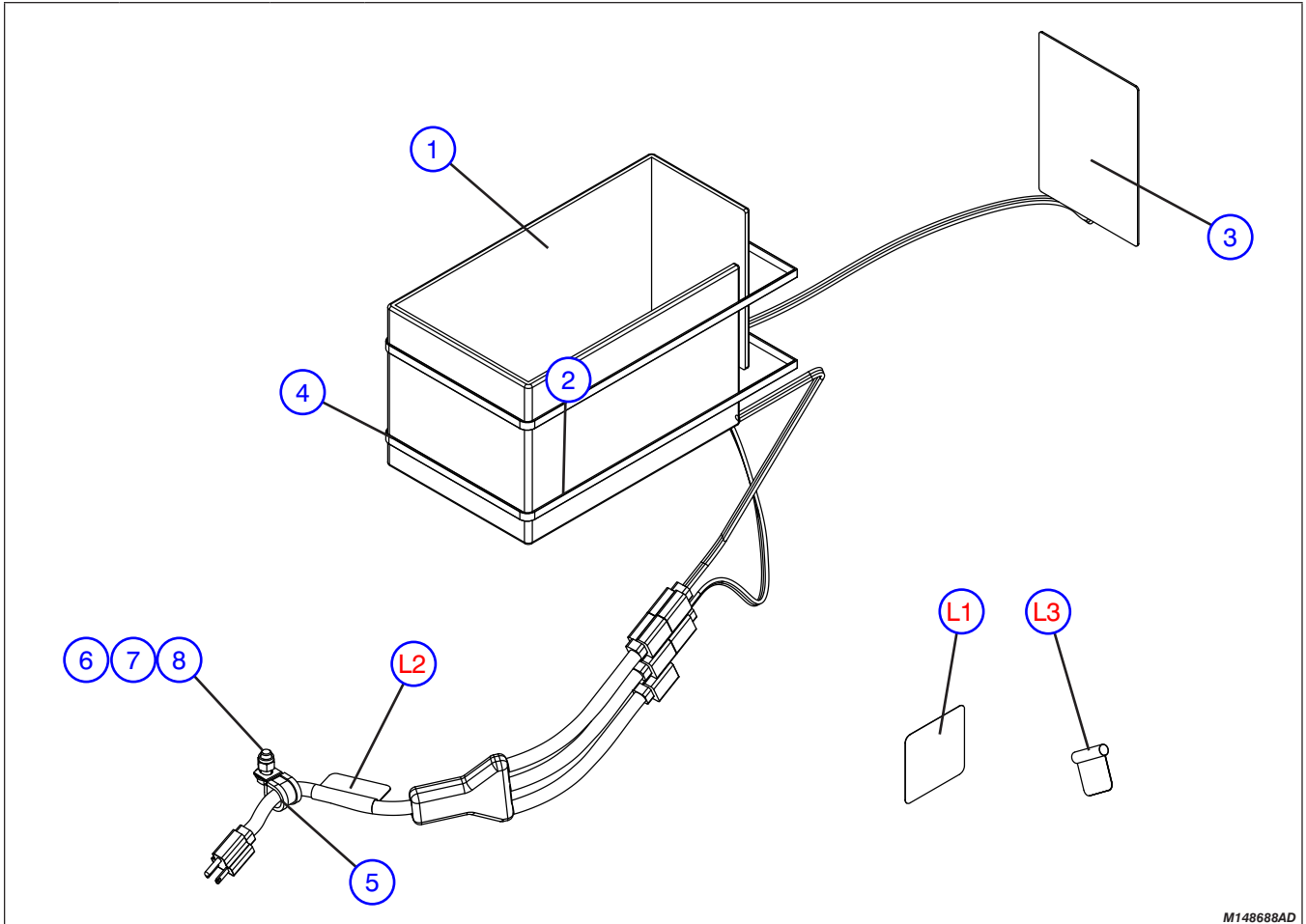
| Index No. | Skyjack Part No. | Qty. | Description |
|-----------|------------------|------|---|
| 1 | 148962 | 1 | SHAFT, Drive |
| 2 | (Ref.) | - | GREASE (For components, refer to Section 11.2) |
| K1 | 138731 | 2 | KIT, Universal joint strap |

| Index No. | Skyjack Part No. | Qty. | Description |
|-----------|------------------|-------|---|
| 18 | 163228 | 1 | • • KIT, Radiator - Deutz D2.9L |
| | 170934 | 1 | • • • HOSE, Radiator - upper |
| | 170935 | 1 | • • • HOSE, Radiator - lower |
| | 170951 | 1 | • • • HOSE, Radiator - return |
| 19 | 137241 | 2 | • • WASHER, Fender (1/2" ID) |
| 20 | 103470 | 2 | • • WASHER, Lock (1/2", Grade 5) |
| 21 | 108818 | 2 | • • BOLT, Hex head (1/2"-13 x 2.75", Grade 5) |
| 22 | 144129 | 2 | • • CLIP, Single (S332G10) |
| 23 | 102984 | 34" | • • HOSE, Fuel line (5/16" ID) |
| 24 | 104528 | 3 | • • CLAMP, Gear (SAE No. 28, 1-5/16" - 2-1/4") |
| 25 | 166164 | 4 | • • WASHER, Flat standard (5/16") |
| 26 | 133174 | 17 | • • BOLT, Hex head (M8 x 1.25 x 20mm, Grade 5) |
| 27 | 133232 | 13 | • • WASHER, Flat (M8) |
| 28 | 149496 | 6 | • • NUT, Speed clip (1/4"-20 x 0.5L) |
| 29 | 163226 | 1 | • • RADIATOR, Deutz D2.9L |
| 30 | 103321 | 5 | • • CLAMP, Gear (SAE No. 4, 1/4" - 5/8") |
| 31 | 163227 | 1 | • • RESERVOIR, Coolant, Degas TK - Deutz D2.9L |
| 32 | 166737 | 3.75" | • • HOSE, Fuel line (3/8" ID) |
| - | 167655 | 1 | • AIR INTAKE ASSEMBLY - Deutz D2.9L |
| 33 | 163250 | 1 | • • INDICATOR, Service |
| 34 | 163247 | 1 | • • CONNECTOR, 90° Service indicator E200 |
| 35 | 163242 | 1 | • • CLEANER, Air E200 |
| | 165947 | 1 | • • • ELEMENT, Primary |
| | 165948 | 1 | • • • ELEMENT, Secondary |
| 36 | 163244 | 1 | • • BRACKET, Air cleaner E200 |
| 37 | 163246 | 1 | • • CONNECTOR, 90° E200 |
| 38 | 167657 | 1 | • • PLATE, Shroud |
| 39 | 137625 | 69" | • • TRIM, Rubber |
| 40 | 121869 | 4 | • • CLAMP, Gear (2-5/8" - 3") |
| 41 | 103995 | 6 | • • WASHER, Flat (1/4") |
| 42 | 104000 | 6 | • • WASHER, Lock (1/4") |
| 43 | 103892 | 6 | • • BOLT, Hex head (1/4"-20 x 0.625", Grade 5) |
| 44 | 103996 | 8 | • • WASHER, Flat (5/16") |
| 45 | 103984 | 4 | • • NUT, Hex head nylon lock (5/16"-18, Grade 5) |
| 46 | 103632 | 1 | • • BOLT, Hex head self tapping screw (1/4"-14 x 0.75") |
| 47 | 103858 | 2 | • • BOLT, Hex head (1/4"-20 x 1.25", Grade 8) |
| 48 | 115649 | 2 | • • NUT, Hex head nylon lock (1/4"-20, Grade 5) |
| 49 | 103886 | 2 | • • BOLT, Hex head (5/16"-18 x 1.50, Grade 5) |
| 50 | 164893 | 1 | • • TUBE, Air intake - Deutz D2.9L |
| 51 | 123715 | 1 | • • CLAMP, Clip |
| 52 | 100616 | 2 | • • GROMMET, Rubber (5/16" x 9/16" x 1/8") |
| 53 | 128571 | 2 | • • SLEEVE, Anti-vibration mount |
| - | 165072 | 1 | • FAN INSTALL |
| 54 | 163225 | 1 | • • ADAPTER, Fan 14" |
| 55 | 116218 | 4 | • • WASHER, Lock (M8 plated) |
| 56 | 139769 | 4 | • • BOLT, Hex head (M8 x 1.25" x 45mm, Grade 8.8) |
| 57 | 163224 | 1 | • • FAN, 14" dia. - Deutz D2.9L |
| 58 | 104000 | 4 | • • WASHER, Lock (1/4") |
| 59 | 103856 | 4 | • • BOLT, Hex head (1/4"-20 x 0.75", Grade 5) |
| 60 | 164925 | 1 | • EXHAUST PIPE |
| 61 | 165602 | 1 | • CABLE, Alternator |

| Index No. | Skyjack Part No. | Qty. | Description |
|-----------|------------------|------|---|
| | 152192 | 1 | • • FLANGE, Hi-temp exhaust (2.5"OD) |
| | 152193 | 1 | • • FLANGE, Hi-temp exhaust (2.0"OD) |
| | 152194 | 1 | • • SEAL, Hi-temp exhaust (2.5"OD) |
| | 152195 | 1 | • • SEAL, Hi-temp exhaust (2"ID) |
| | 152196 | 1 | • • BRACKET, Catalyst muffler |
| | 152197 | 2 | • • BRACKET, Side Catalyst muffler |
| | 152198 | 1 | • • TUBE, Exhaust |
| | 152210 | 2 | • • BOLT, Hex head (5/16"-18 x 1", Grade 5) |
| | 103473 | 10 | • • BOLT, Hex head (3/8"-16 x 1" Grade 5) |
| | 103870 | 7 | • • BOLT, Hex head (3/8"-16 x 1 1/2" Grade 5) |
| | 103404 | 2 | • • WASHER, Lock (5/16") |
| | 103999 | 10 | • • WASHER, Lock (3/8") |
| | 103996 | 2 | • • WASHER, Flat (5/16") |
| | 103472 | 7 | • • WASHER, Flat (3/8") |
| | 152200 | 10 | • • WASHER, Flat (3/8", USS) |
| | 103978 | 10 | • • NUT (3/8"-16) |
| 4 | 149496 | 9 | NUT, Speed clip (1/4"-20 x 1/5" depth) |
| 5 | 103995 | 17 | WASHER, Flat (1/4") |
| 6 | 103892 | 9 | BOLT, Hex head (1/4"-20 x 5/8" Grade 5) |
| 7 | 104379 | 13 | WASHER, Flat hardened (1/2") |
| 8 | 103470 | 1 | WASHER, Lock (1/2", Grade 5) |
| 9 | 116997 | 1 | BOLT, Hex head (1/2"-13 x 1 3/4" Grade 5) |
| 10 | 103909 | 4 | BOLT, Hex head (1/2"-13 x 1 1/4" Grade 5) |
| 11 | 103471 | 4 | NUT, Hex head (1/2"-13, Grade 5) |
| 12 | 149198 | 1 | PLATE, Baffle |
| 13 | 149357 | 75" | SEAL, Bulb |
| 14 | 115649 | 4 | NUT, Hex lock (1/4"-20 Grade 5, nylon) |
| 15 | 125959 | 1 | WASHER, Flat hardened (3/8") |
| 16 | 138464 | 1 | BOLT, Hex head (3/8"-16 x 5/8" Grade 5) |
| 17 | 152556 | 1 | SHROUD, Under radiator (GM) |
| 18 | 152416 | 2 | WASHER, Rubber (1x 3/7 x 1/8 TK) |
| 19 | 104606 | 2 | NUT, Hex lock (3/8"-16 Grade 5, nylon) |
| 20 | 101297 | 2 | BOLT, Hex head (3/8"-16 x 1 1/4" Grade 5) |
| 21 | 103472 | 2 | WASHER, Flat (3/8") |
| 22 | 103999 | 1 | WASHER, Lock (3/8") |
| 23 | 104000 | 9 | WASHER, Lock (1/2") |
| 24 | 127067 | 2 | WASHER, Flat (3/8", style BB) |
| 25 | 152555 | 1 | HOSE, Air intake |
| 26 | 118367 | 1 | NUT, Hex (M4-0.7 DIN934) |
| 27 | 133872 | 1 | NUT, Hex (M5-0.8 DIN934) |
| 28 | 161322 | 1 | STACK, Exhaust |
| 29 | 149493 | 1 | CLAMP, T-bolt (2.81-3.09) |
| 30 | 136030 | 1 | CLAMP, Exhaust (1-7/8" dia.) |
| 31 | 165916 | 1 | BRACKET, Wire protector |
| 32 | 103858 | 2 | BOLT, Hex head (1/4"-20 x 1.25, Grade 5) |
| 33 | 165603 | 1 | SLEEVE, Thermal protection |
| 34 | 166755 | 1 | BRACKET, Fuel manifold |
| 35 | 103862 | 2 | BOLT, Hex head (1/4"-20 x 2.25" Grade 5) |
| 36 | 144129 | 2 | CLIP, Single (S332G10) |
| 37 | 103907 | 8 | BOLT, Hex head (1/2"-13 x 1.50" Grade 5) |
| 38 | 702507 | 8 | NUT, Hex head nylon lock (1/2"-13 Grade 5) |
| 39 | 154245 | 1 | CABLE ASSEMBLY (#2/0 3/8" x 75" x 5/16" 03, 03) |

| Index No. | Hose P/N | From | | To | |
|-----------|------------------|------------------------------|---|------|----------------------------|
| | | Description | Port | Port | Description |
| - | 167647 | JIB HOSE KIT | | | |
| 1 | H3104 0031 0 | Bulkhead 2 (Rotary Actuator) | L | 1A | Jib Manifold |
| 2 | H3104 0031 0 | Bulkhead 2 (Rotary Actuator) | R | 2A | Jib Manifold |
| 3 | H3104 0018 0 | Jib Manifold | 1B | R | Jib Cylinder |
| 4 | H3104 0018 0 | Jib Manifold | 2B | E | Jib Cylinder |
| 5 | H3404 0013 0 | Rotary Actuator | P1 | R | Bulkhead (Rotary Actuator) |
| 6 | H3404 0013 0 | Rotary Actuator | P2 | L | Bulkhead (Rotary Actuator) |
| - | 169596 | E-CHAIN HOSE KIT (46AJ) | | | |
| - | 169569 | E-CHAIN HOSE KIT (51AJ) | | | |
| 7 | H3104 0219 0 | Master Cylinder (46AJ) | E | - | Bulkhead 1 (Fly Boom) |
| | H3104 0283 0 | Master Cylinder (51AJ) | E | - | Bulkhead 1 (Fly Boom) |
| 8 | H3104 0230 0 | Master Cylinder (46AJ) | R | - | Bulkhead 1 (Fly Boom) |
| | H3104 0298 0 | Master Cylinder (51AJ) | R | - | Bulkhead 1 (Fly Boom) |
| 9 | H3104 0267 0 | Jib Manifold (46AJ) | 3B | - | Union |
| | H3104 0324 0 | Jib Manifold (51AJ) | 3B | - | Union |
| 10 | H3104 0267 0 | Jib Manifold (46AJ) | 4A | - | Union |
| | H3104 0324 0 | Jib Manifold (51AJ) | 4A | - | Union |
| 11 | H3104 0028 2 | Slave Cylinder | E | - | Bulkhead 1 (Fly Boom) |
| 12 | H3104 0028 2 | Slave Cylinder | R | - | Bulkhead 1 (Fly Boom) |
| - | 149103 | RISER HOSE KIT | | | |
| 13 | H3104 0380 0 | Main Manifold | PL1 | E | Master Cylinder |
| 14 | H3104 0360 0 | Main Manifold | PL2 | R | Master Cylinder |
| 15 | H3104 0380 0 | Main Manifold | P1 | E | Boom Lift Cylinder |
| 16 | H3104 0374 0 | Main Manifold | P2 | R | Boom Lift Cylinder |
| 17 | H3104 0392 0 | Main Manifold | JBP | - | Union |
| 18 | H3104 0392 0 | Main Manifold | JBT | - | Union |
| 19 | H3206 0144 0 | Check Valve | CV2 | E | Riser Cylinder - RH |
| 20 | H3104 0144 0 | Main Manifold | S2 | R | Riser Cylinder - LH |
| 21 | H3106 0031 0 | Riser Cylinder LH - Return | R | R | Riser Cylinder RH - Return |
| 22 | H3106 0031 0 | Riser Cylinder LH - Return | E | E | Riser Cylinder RH - Return |
| 23 | H3106 0346 0 | Main Manifold | RET | R | Extension Cylinder |
| 24 | H3106 0346 0 | Main Manifold | EXT | E | Extension Cylinder |
| Index No. | Skyjack Part No. | Qty. | Description | | |
| 25 | 134835 | 2 | FITTING, Straight (04 JICM - 04 JICM) (component of Riser Hose Kit) | | |
| 26 | 131732 | 48" | SLEEVE, Nylon hose protection (componen of E-Chain Hose Kit) | | |

| Index No. | Skyjack Part No. | Qty. | Description |
|-----------|------------------|------|---|
| - | 148652 | - | FUEL LINE ASSEMBLY - Deutz D2011 |
| 1 | 102984 | 102" | • HOSE, Fuel line (5/16" ID) |
| 2 | 102984 | 92" | • HOSE, Fuel line (5/16" ID) |
| 3 | 103321 | 3 | • CLAMP, Gear (SAE #4, 1/4"-13/16") |
| 4 | 103078 | 1 | • CLIP, Double |
| 5 | 139171 | 2 | • PLUG, Hex (06 ORBM) |



M148688AD

| Index No. | Skyjack Part No. | Qty. | Description |
|-----------|------------------|------|--|
| A | 167856 | - | COLD START OPTION (ANSI/CSA - GM) |
| B | 167859 | - | COLD START OPTION (ANSI/CSA - Deutz D2.9) |
| C | 167853 | - | COLD START OPTION (CE & AS - Deutz D2011) |
| 1 | 703290 | 1 | • BLANKET, Battery |
| 2 | 159888 | 1 | • CORD, "W" |
| 3 | 164762 | 1 | • HEATER, Pad - 500W |
| 4 | 144727 | 2 | • TIEWRAP, Cable (43.3") |
| 5 | 152402 | 2 | • CLAMP, Tube (Cushioned) |
| 6 | 103473 | 2 | • BOLT, Hex head (3/8"-16 x 1.00, grade 5) |
| 7 | 103472 | 3 | • WASHER, Flat, 3/8" |
| 8 | 104606 | 1 | • NUT, Hex head nylon lock (3/8"-16, grade 5) |
| 9 | (Ref.) | - | • OIL (For components, refer to Section 11.1) |
| 10 | (Ref.) | - | • COOLANT, Antifreeze (For components, refer to Section 11.1) |
| L1 | 143593 | 1 | • LABEL, Shell Telus T46 (located on hydraulic tank) |
| L2 | 146021 | 1 | • LABEL, Hydraulic oil/battery warmer (located on W cord) |
| L3 | 146162 | 1 | • LABEL, Cold weather factory oil (located on dipstick), B, C |

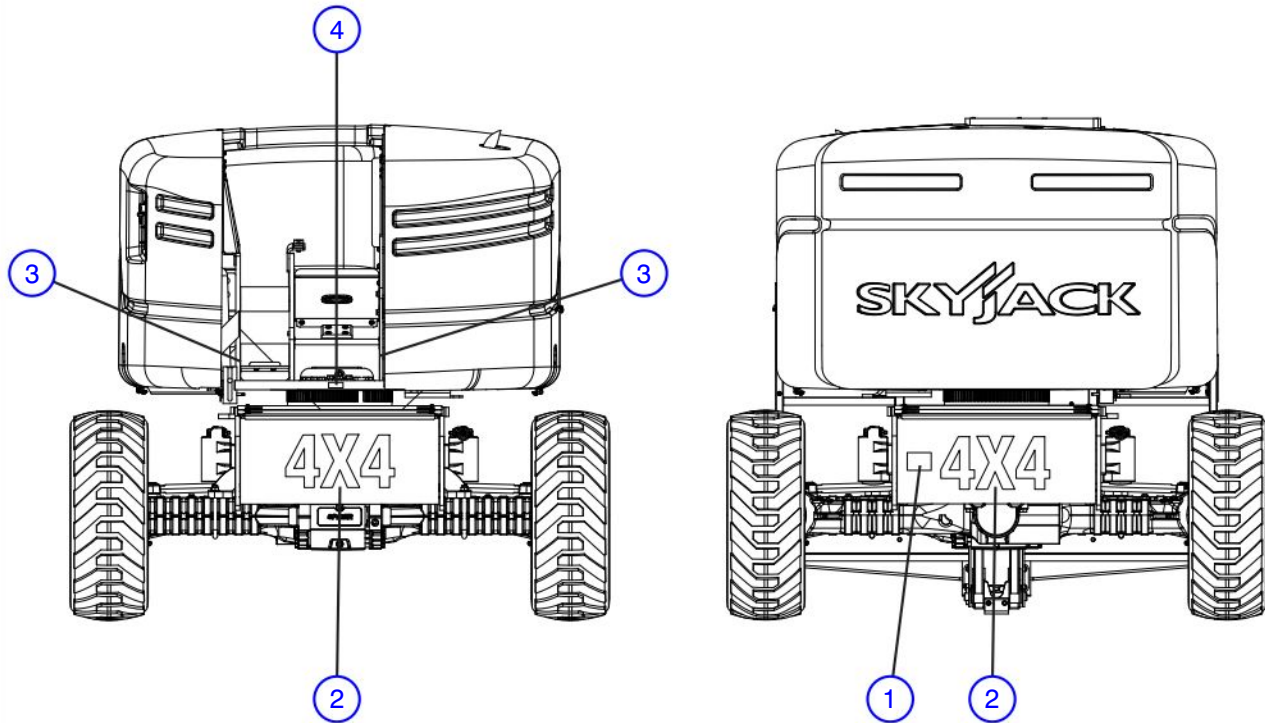
| Index No. | Skyjack Part No. | Qty. | Description |
|-----------|------------------|------|---|
| - | 152418 | 1 | OIL COOLER WIRING |
| 1 | 163087 | 1 | <ul style="list-style-type: none"> • WIRE ASSEMBLY (Cooler relay) |
| 2 | 152419 | 1 | <ul style="list-style-type: none"> • HARNESS, Cooler fan |
| | 117597 | 1 | <ul style="list-style-type: none"> • • CONNECTOR, Plug (2-pin) |
| | 117599 | 1 | <ul style="list-style-type: none"> • • CONNECTOR, Plug wedge (2-pin) |
| | 117593 | 2 | <ul style="list-style-type: none"> • • CONNECTOR, Contact socket (14/16) |
| 3 | 144074 | 1 | <ul style="list-style-type: none"> • HARNESS, Oil cooler |
| 4 | 121504 | 1 | <ul style="list-style-type: none"> • • FUSE, 20 AMP |
| 5 | 119293 | 1 | <ul style="list-style-type: none"> • • FUSE Holder with cover |
| 6 | 152420 | 1 | <ul style="list-style-type: none"> • HARNESS, Cooler temperature sensor |
| | 117596 | 1 | <ul style="list-style-type: none"> • • CONNECTOR, Receptacle (2-pin) |
| | 117598 | 1 | <ul style="list-style-type: none"> • • CONNECTOR, Receptacle wedge (2-pin) |
| | 117590 | 1 | <ul style="list-style-type: none"> • • CONNECTOR, Contact pin (16/18) |
| 7 | 117326 | 1 | <ul style="list-style-type: none"> • BREAKER, Circuit (20 AMP) |
| 8 | 127131 | 1 | <ul style="list-style-type: none"> • RELAY, 12V (40AMP) |
| 9 | 116266 | 1 | <ul style="list-style-type: none"> • CONNECTOR, Strain relief |
| L | 144193 | 1 | <ul style="list-style-type: none"> • LABEL, Relay - cooler 86CR |

9.16 Generator & Oil Cooler Assembly - 12 kW

| Index No. | Skyjack Part No. | Qty. | Description |
|-----------|------------------|------|--|
| - | 166732 | 1 | 12 kW GENERATOR ASSEMBLY (SJ46AJ ANSI/CSA with Welder Option) |
| 1 | (Ref.) | 1 | • HOSE KIT, 12 kW Generator (For components, refer to Section 9.20) |
| 2 | (Ref.) | 1 | • PUMP ASSEMBLY (For components, refer to Section 7.6) |
| 3 | (Ref.) | 1 | • WELDER MOUNTING ASSEMBLY (For components, refer to Section 9.21) |
| 4 | (Ref.) | 1 | • WIRING ASSEMBLY - 12 kW Generator (not shown) (For components, refer to Section 9.19) |
| 5 | (Ref.) | 1 | • GENERATOR AND OIL COOLER ASSEMBLY - 12kW (For components, refer to Section 9.17) |
| 6 | 162293 | 1 | • PAD, Guide (5.00" x 2.00" x 0.625") |
| 7 | 101297 | 2 | • BOLT, Hex head (0.375"-16 x 1.25" Grade 5) |
| 8 | 103472 | 6 | • WASHER, Flat (0.375") |
| 9 | 144238 | 2 | • NUT, Torque lock (3/8"-16 Grade C) |
| 10 | 168616 | 1 | • SHROUD, Generator - upper |
| 11 | 168617 | 1 | • SHROUD, Generator - lower |
| 12 | 103473 | 4 | • BOLT, Hex head (0.375-16" x 1.00" Grade 5) |
| 13 | 137625 | 58" | • SEAL, Bulb |

| Index No. | Skyjack Part No. | Qty. | Description |
|-----------|------------------|------|---|
| A | 148383 | 1 | WELDER ASSEMBLY (SJ46AJ ANSI/CSA) |
| 1 | 138811 | 1 | • WELDER (275A) |
| | 138813 | 1 | • CABLE, Electrode (14') |
| | 144376 | 1 | • • ELECTRODE HOLDER (400A) |
| | 144573 | 168" | • • CABLE |
| | 138814 | 1 | • CABLE, Work (14') |
| | 144377 | 1 | • • GROUND CLAMP (400A) |
| | 144573 | 168" | • • CABLE |
| | 144374 | 1 | • PLUG, Locking (50A / 250V / 3P) |
| | 144603 | 2 | • CLAMP, Cushioned loop (0.875" diameter) |
| L1 | 147112 | 2 | • LABEL, Welder weight (90 lbs) |
| - | 159917 | 1 | MOUNTING ASSEMBLY, 12kW Welder |
| B | 159948 | 1 | • WELDER TRAY ASSEMBLY |
| 2 | 159955 | 1 | • • TRAY, Welder |
| 3 | 137814 | 1 | • • PLATE, Strap |
| 4 | 103020 | 1 | • • STRAP |
| 5 | 103855 | 2 | • • BOLT, Hex head (1/4"-20 x 0.50", Grade 5) |
| 6 | 104000 | 2 | • • WASHER, Lock (1/4") |
| L1 | 147112 | 1 | • • LABEL, Welder weight pictorial |
| C | 144218 | 1 | • BRACKET ASSEMBLY |
| 7 | 144220 | 1 | • • BRACKET, Welding cables |
| 8 | 144219 | 2 | • • U BOLT, Welder bracket |
| 9 | 115649 | 4 | • • NUT, Hex lock (1/4"-20 Grade 5, nylon) |
| 10 | 103995 | 4 | • • WASHER, Flat (1/4") |
| D | 144221 | 1 | • RECEPTACLE ASSEMBLY |
| 11 | 144222 | 1 | • • PLATE, Receptacle mounting |
| 12 | 144223 | 2 | • • U BOLT, Receptacle mounting |
| 13 | 141614 | 1 | • • ELECTRICAL COMPONENTS ASSEMBLY |
| | 139835 | 1 | • • • FD BOX, 50A Receptacle |
| | 139832 | 1 | • • • RECEPTACLE, Single locking |
| | 139836 | 1 | • • • COVER, Weather resistant |
| | 144367 | 1 | • • • STRAIN RELIEF, 1-18" straight |
| 14 | 115649 | 4 | • • NUT, Hex lock (1/4"-20 Grade 5, nylon) |
| 15 | 103995 | 4 | • • WASHER, Flat (1/4") |
| 16 | 300450 | 5 | • • NUT, Hex lock (#10-32 Grade 5, nylon) |
| 17 | 105621 | 2 | • • SCREW, Round head machine (#10-32 x 1") |
| 18 | 104694 | 2 | • • WASHER, Flat (#10) |
| | | | Parts list continued on the next page. |

| Index No. | Skyjack Part No. | Qty. | Description |
|-----------|------------------|------|---|
| - | 159855 | - | CONTROL BOX COVER |
| - | 159863 | 1 | • COVER ASSEMBLY, Control box |
| 1 | 159907 | 1 | • • COVER, Control box |
| 2 | 105621 | 2 | • • SCREW, Round machine (#10-32 x 1") |
| 3 | 300450 | 5 | • • NUT, Hex lock (#10-32 Grade 5, nylon) |
| 4 | 104694 | 5 | • • WASHER, Flat (#10) |
| 5 | 154305 | 2 | • • BUSHING, Flanged (1/4" ID x 3/16") |
| 6 | 137653 | 1 | • • HANDLE, Pull |
| 7 | 144015 | 2 | • • MOUNT, Anti-vibration |
| 8 | 115649 | 2 | • • NUT, Hex lock (1/4"-20 Grade 5, nylon) |
| 9 | 103995 | 2 | • • WASHER, Flat (1/4") |
| 10 | 157052 | 1 | • • HASP, Padlock |
| 11 | 167202 | 3 | • • SCREW, Flat head machine (#10-32 x 0.75") |
| 12 | 154323 | 1 | • BRACKET, Gas spring |
| 13 | 162101 | 1 | • GAS SPRING, Control box cover |
| 14 | 103891 | 2 | • BOLT, Hex head (1/4"-20 x 7/8" Grade 5) |
| 15 | 139168 | 8 | • SCREW, Button head cap (1/4"-20 x 3/4") |
| 16 | 103995 | 16 | • WASHER, Flat (1/4") |
| 17 | 115649 | 10 | • NUT, Hex lock (1/4"-20 Grade 5, nylon) |
| 18 | 103984 | 2 | • NUT, Hex lock (5/16"-18 Grade 5, nylon) |
| 19 | 159956 | 4 | • WASHER, Rubber (1/4") |
| 20 | 162048 | 1 | • PLATE, Right side cover |
| 21 | 162050 | 1 | • PLATE, Back cover |
| 22 | 162049 | 1 | • PLATE, Left side cover |
| 23 | 159960 | 4 | • SPACER, (3/4" OD) |
| 24 | 103858 | 2 | • BOLT, Hex head (1/4"-20 x 1 1/4" Grade 5) |
| 25 | 103996 | 2 | • WASHER, Flat (5/16") |
| 26 | 162123 | 2 | • STUD, Ball (10mm x 0.54") |
| 27 | 167202 | 4 | • SCREW, Flat head machine (#10-32 x 0.75") |
| 28 | 300450 | 4 | • NUT, Hex head nylon lock (#10-32, Grade 5) |
| 29 | 104694 | 4 | • WASHER, Flat (#10) |
| 30 | 162032 | 1 | • INSTRUCTION, Installation (not shown) |



PM - Front and Back AJ

| Index No. | Skyjack Part No. | Qty. | Description |
|--|------------------|------|---|
| (To order a complete label kit, refer to Section 10.1) | | | |
| 1 | (Ref.) | 1 | LABEL, Serial plate (Not included in kit, please consult factory) |
| 2 | 159509 | 2 | LABEL, "4X4" |
| 3 | 139314 | 2 | LABEL, Body crush |
| 4 | 138211 | 1 | LABEL, Connect AC supply |

CLICK HERE TO **DOWNLOAD** THE COMPLETE MANUAL

- Thank you very much for reading the preview of the manual.
- You can download the complete manual from: www.heydownloads.com by clicking the link below



- Please note: If there is no response to CLICKING the link, please download this PDF first and then click on it.

CLICK HERE TO **DOWNLOAD** THE COMPLETE MANUAL