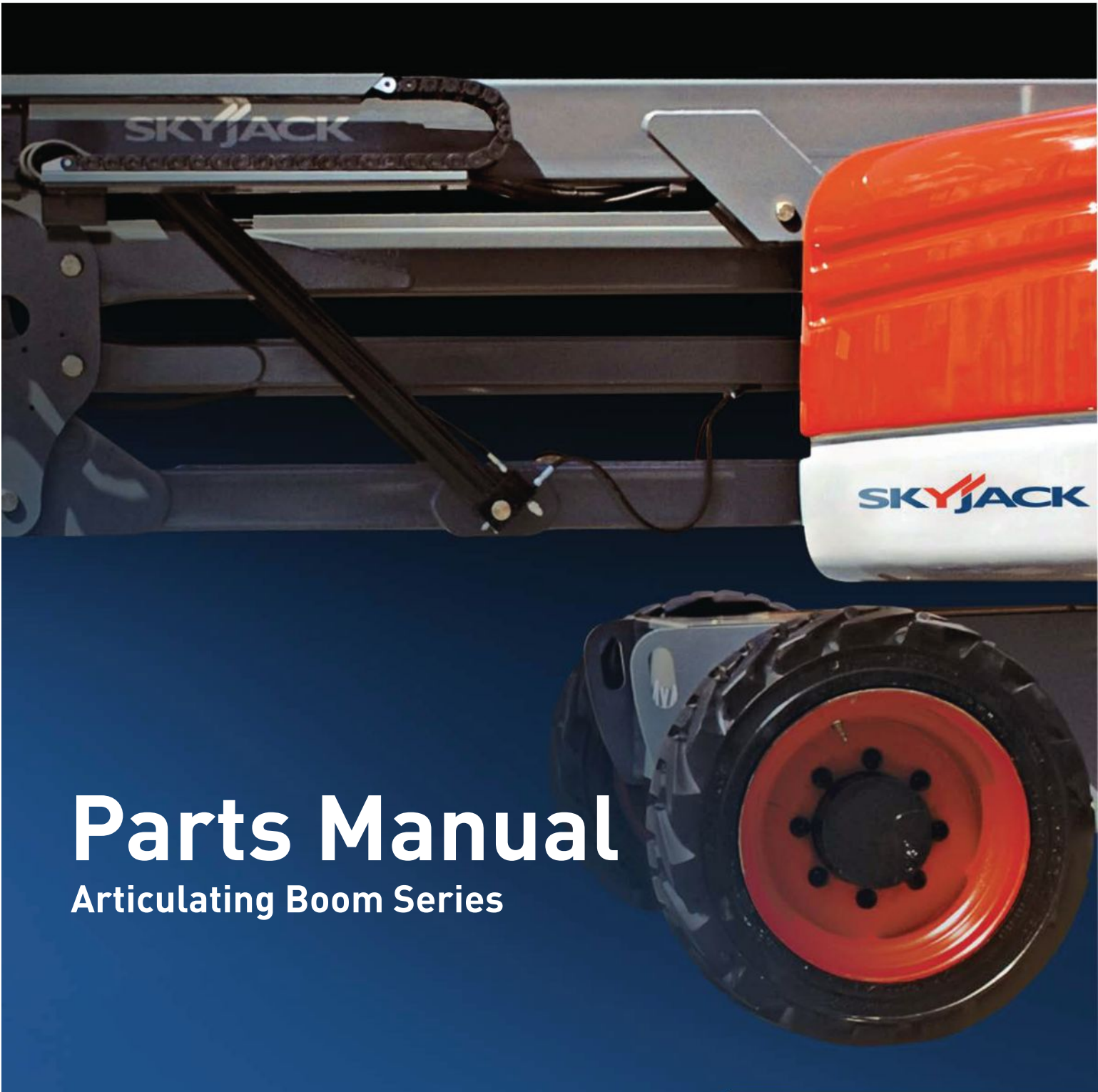


MODELS | SJ46AJ SJ51AJ



Parts Manual

Articulating Boom Series

Part No. 143920AI November 2016



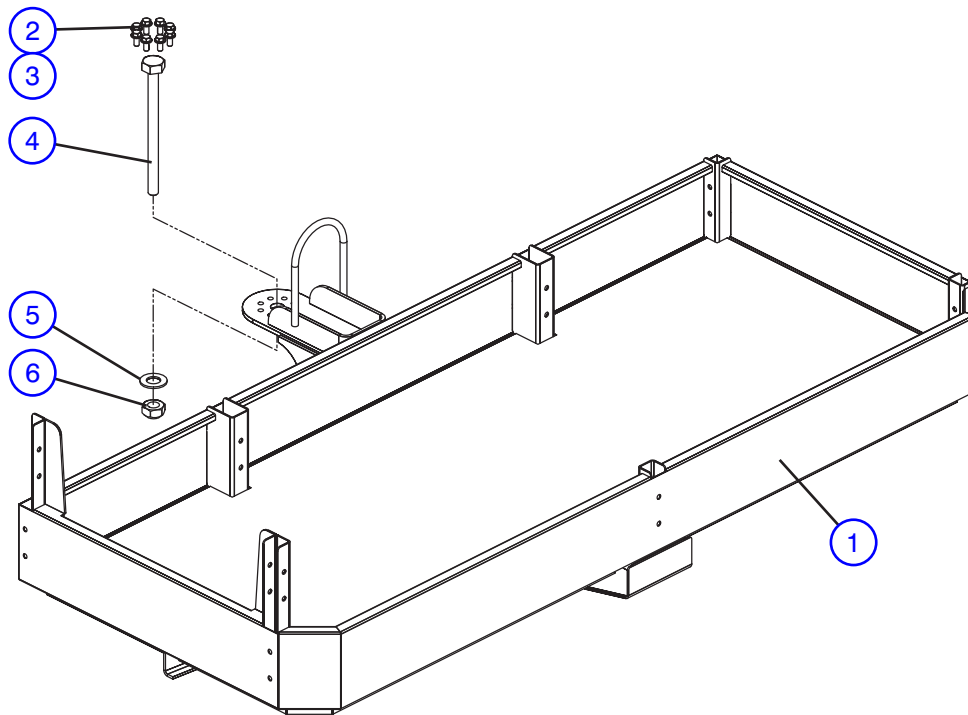
CLICK HERE TO **DOWNLOAD** THE COMPLETE MANUAL

- Thank you very much for reading the preview of the manual.
- You can download the complete manual from: www.heydownloads.com by clicking the link below



- Please note: If there is no response to CLICKING the link, please download this PDF first and then click on it.

CLICK HERE TO **DOWNLOAD** THE COMPLETE MANUAL

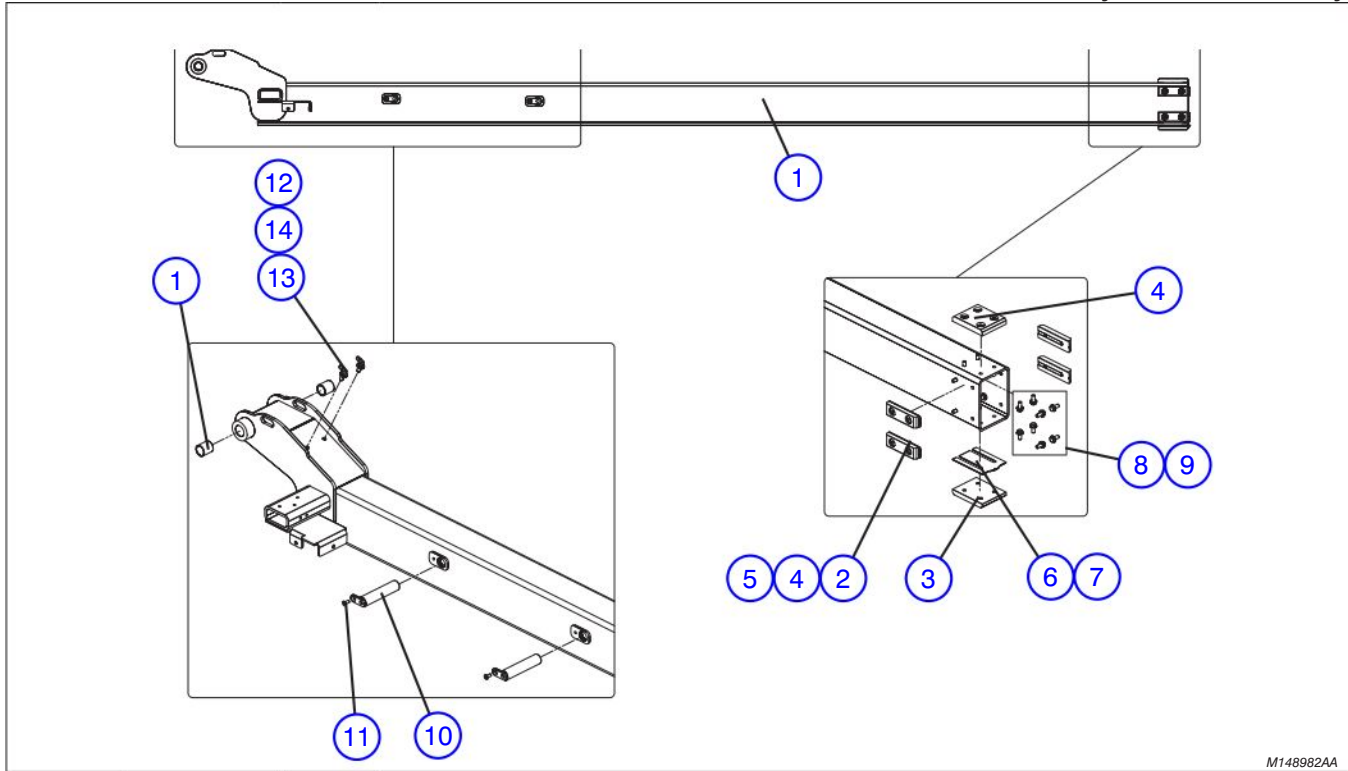


M149239AA

Index No.	Skyjack Part No.	Qty.	Description
1	149239	1	WELDMENT, Platform base (72" x 30", ANSI/CSA & AS)
	149491	1	WELDMENT, Platform base (60" x 30", ANSI/CSA & AS)
2	139193	8	BOLT, Hex head, patch (3/8"-16 x 7/8", zinc, Grade 8)
3	125959	8	WASHER, Flat (3/8")
4	138696	1	BOLT, Hex head (1"-8 x 10.5", zinc, Grade 8)
5	102646	1	WASHER, Flat (1")
6	138559	1	NUT, Crownlock (1-8, Grade 8)

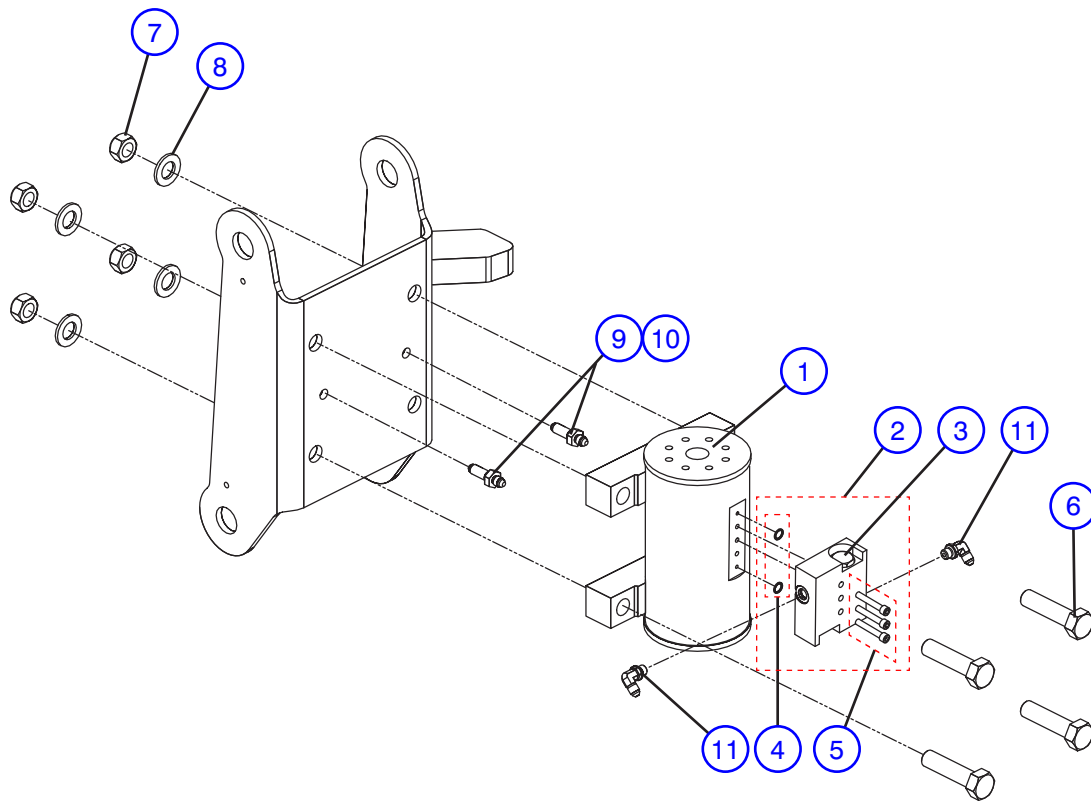
1.7 Boom / Turret Controller Assembly (Dual Axis)

Index No.	Skyjack Part No.	Qty.	Description
-	138225	1	BOOM / TURRET CONTROLLER ASSEMBLY (DUAL AXIS)
1	141326	1	• CAP, Rubber
2	141327	2	• GASKET
3	141325	1	• KIT, Handle
4	141328	4	• NUT
5	141329	4	• SCREW
6	141331	2	• SCREW, Set
7	141330	1	• COUPLING, (10 mm)
8	141313	1	• BOOT
9	141323	1	• WASHER, Retainer
10	141315	1	• SHOE, Spring
11	141321	4	• SCREW, Mounting (M4)
12	141316	1	• CAN, Enclosure
13	141320	1	• GROMMET, Rubber
14	141317	1	• GASKET, Mounting
15	141319	4	• SCREW
16	141318	1	• O-RING
17	141324	1	• SPRING, Compression
18	141322	1	• CLIP, Retainer



M148982AA

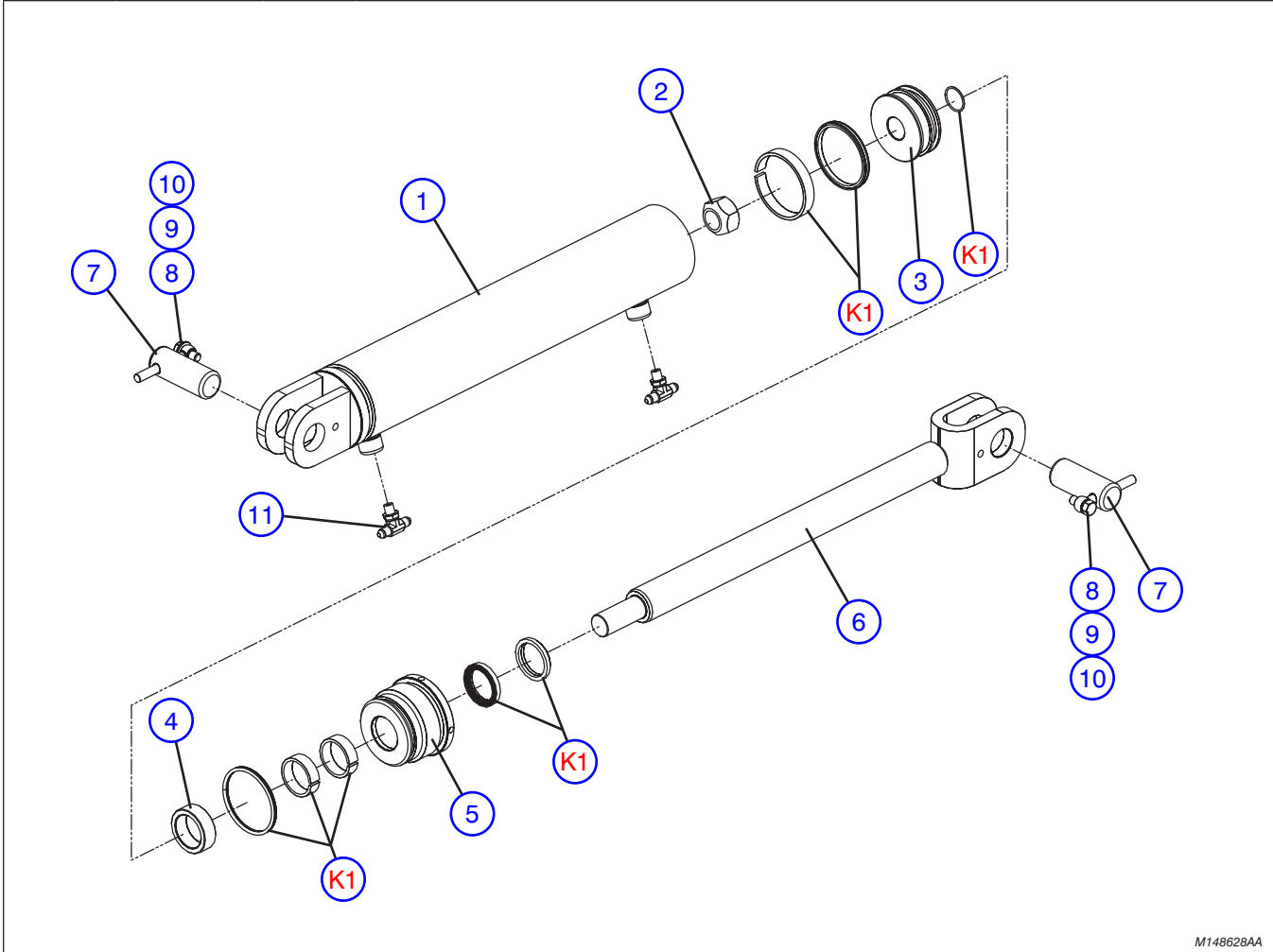
Index No.	Skyjack Part No.	Qty.	Description
A	148982	1	FLY BOOM ASSEMBLY (SJ 46A/51AJ)
B	148751	1	FLY BOOM ASSEMBLY (SJ 46AJ)
1	157607	1	• FLY BOOM WELDMENT, A
	125262	2	• • BUSHING (1.25" ID x 1.5")
	148985	1	• • WELDMENT, Fly boom
	157606	1	• FLY BOOM WELDMENT, B
	148763	1	• • WELDMENT, Fly boom
	125262	2	• • BUSHING (1.25" ID x 1.5")
2	148828	4	• PAD, Side
3	148827	1	• PAD, Bottom
4	148826	1	• PAD, Top
5	148837	AR	• SHIM, 16 Gauge (side)
6	148838	AR	• SHIM, 20 Gauge (side)
7	148829	AR	• SHIM, 16 Gauge (bottom)
8	148830	AR	• SHIM, 20 Gauge (bottom)
9	300437	16	• BOLT, Hex head (3/8"-16 x 7/8", Grade 5)
10	148839	2	• PIN WELDMENT (1.25" diameter x 5.688")
11	704642	2	• SCREW, Flat head cap (0.312"-18 x 3/4", Grade 5)
12	143963	2	• NUT, Bulkhead (04 JIC)
13	149418	2	• FITTING, Elbow 90° bulkhead (04 JICM - 04 JICM)
14	119313	4	• WASHER, Flat (0.438")



M148637AA

Index No.	Skyjack Part No.	Qty.	Description
1	138232	1	ACTUATOR, Rotary
2	141360	1	• ASSEMBLY, Valve
3	141399	2	• • CARTRIDGE, Valve
4	141400	2	• • SEAL, Port
5	141464	3	• • BOLT, Mounting
6	103894	4	BOLT, Hex head (3/4"-10 x 3", Grade 8)
7	700575	4	NUT, Crownlock (3/4"-10 Grade 8)
8	702194	4	WASHER, Flat (3/4")
9	134890	2	FITTING, Straight bulkhead (04 JICM - 04 JICM)
10	143963	2	NUT, Bulk head lock (#04)
11	125883	2	FITTING, 90° (04 JICM - 04 ORBM)
K	141350	1	KIT, Seal repair (Rotary Actuator)

3.5 Master Cylinder Assembly



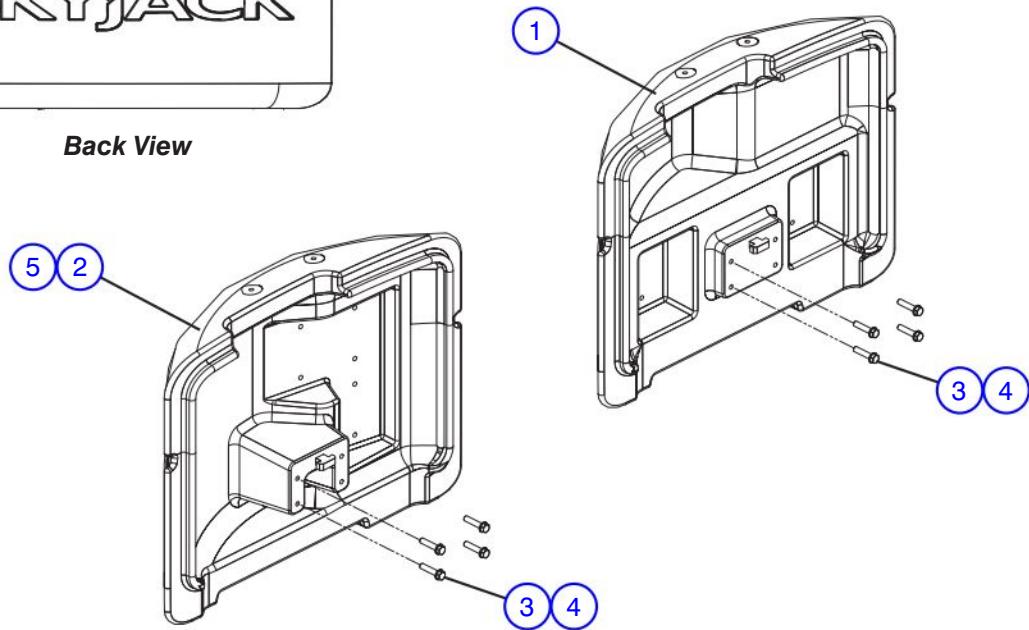
M148628AA

Index No.	Skyjack Part No.	Qty.	Description
-	148715	-	MASTER CYLINDER ASSEMBLY
1	154525	1	• WELDMENT, Tube
2	152256	1	• NUT, Rod
3	154522	1	• PISTON
4	154527	1	• TUBE STOP
5	154523	1	• GLAND
6	154526	1	• WELDMENT, Rod
7	148846	2	PIN (1.25" diameter x 3.125")
8	146897	2	KEEPER PIN (3/8")
9	139193	2	BOLT, Hex head/patch (3/8"-16 x 7/8", ZP, Grade 8)
10	103472	2	WASHER, Flat (0.375")
11	132463	2	FITTING, Tee (04MJ04MB04MJ)
K1	154524	1	KIT, Seal

4.3 Counterweight Assembly



Back View



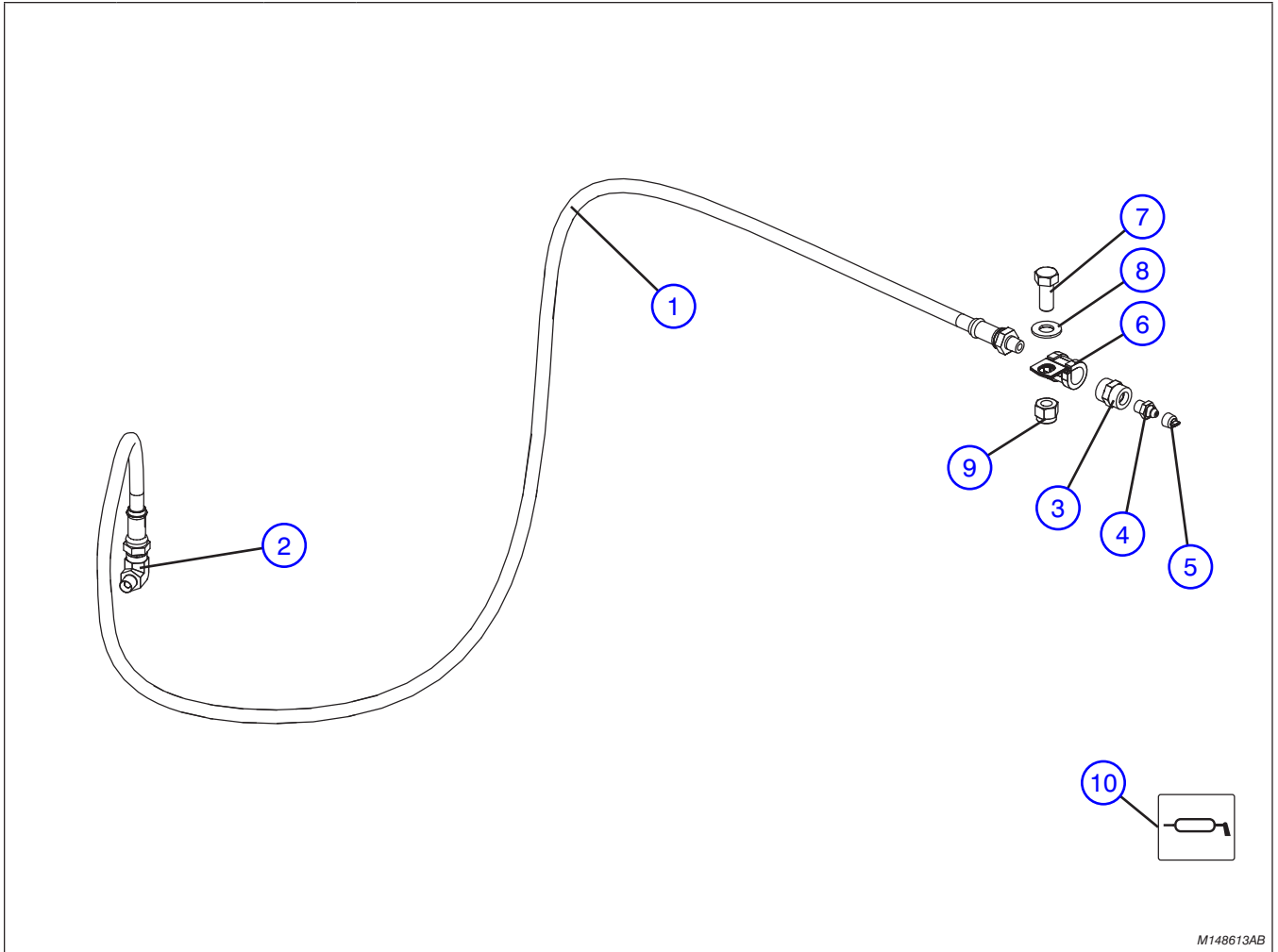
M148504AA

Index No.	Skyjack Part No.	Qty.	Description
1	149258	1	COUNTERWEIGHT (SJ 51AJ)
2	149257	1	COUNTERWEIGHT (SJ 46A/AJ)
3	139151	4	BOLT, Hex head (3/4"-10 x 2.5", Grade 8)
4	702194	4	WASHER, Flat hardened (3/4")
5	144105	2	PLUG, Threaded hole (3/4")

4.7 Rotary Manifold Assembly

Index No.	Skyjack Part No.	Qty.	Description
-	149138	-	ROTARY MANIFOLD ASSEMBLY
1	149380	1	• MANIFOLD, Rotary
2	126128	5	• FITTING, Straight (04 JICM - 04 ORBM)
3	105445	3	• FITTING, Elbow, 90° (12 JICM - 12 ORBM)
4	125883	6	• FITTING, Elbow, 90° (04 JICM - 04 ORBM)
5	114583	1	• FITTING, Elbow, 90° (08 JICM - 08 ORBM)
6	102659	1	• FITTING, Straight (08 JICM - 08 ORBM)
7	103904	1	• BOLT, Hex head (1/2"-13 x 2", Grade 5)
8	104379	1	• WASHER, Flat hardened (1/2")
9	138956	1	• SPACER, Rotary manifold
10	126366	3	• FITTING, Elbow, 90° (04 JICM - 04 ORBM)
11	149378	2	• BRACKET, Rotary manifold
12	101632	4	• BOLT, Hex head (3/8"-16 x 3/4", Grade 5)
13	103472	4	• WASHER, Flat (3/8")
14	139099	1	• FITTING, Elbow, 90° (12 JICM - 12 ORBM, LL)
15	139171	1	• FITTING, Plug (06 NPTM)
16	702875	1	• FITTING, Elbow, 90° (04 JICM - 04 JICFSW)
17	(Ref.)	-	LIMIT SWITCH, Rotary manifold (For components, refer to Section 5.4)
18	126499	2	SCREW, Round head machine (#8-32 x 7/8")v
K	154659	1	KIT, Seal (Rotary Manifold)

4.15 Grease Line Hose Assembly



M148613AB

Index No.	Skyjack Part No.	Qty.	Description
-	148613	1	GREASE LINE HOSE ASSEMBLY
1	139090	1	• LINE, Grease
2	139094	1	• FITTING, Elbow 90° (1/8 NPTM - 1/8 NPTF)
3	139095	1	• FITTING, Straight (1/8 NPTF - 1/8 NPTF)
4	102027	1	• FITTING, Straight grease (1/8 NPT)
5	132565	1	• CAP
6	144129	1	• CLIP, Single
7	300437	1	• BOLT, Hex head (3/8"-16 x 7/8", Grade 5)
8	103472	1	• WASHER, Flat (3/8")
9	104606	1	• NUT, Hex nylon lock (3/8"-16, Grade 5)
10	(Ref.)	-	GREASE (For components, refer to Section 11.3)

4.19 Base Control Console Assembly (GM)

Index No.	Skyjack Part No.	Qty.	Description
A	149348	-	BASE CONTROL CONSOLE ASSEMBLY (ANSI/CSA, SJ 46AJ - GM)
B	149346	-	BASE CONTROL CONSOLE ASSEMBLY (ANSI/CSA, SJ 46A - GM)
1	149278	1	• CONTROL BOX
	149437	1	• • FASTENER, Door
	138715	1	• • RETAINER, Door fastener
2	(Ref.)	-	• TERMINAL STRIP, Base (For components, refer to Section 4.20)
3	127131	8	• RELAY, (12V 40 AMP), A
4	138749	11	• SOCKET, Automotive relay, A
5	104003	6	• NUT, Hex head (#10-32)
6	104694	6	• WASHER, Flat (#10)
7	149426	1	• ANGLE TRANSDUCER
8	103957	14	• SCREW, Round head machine (#8-32 x 1/2"), A
9	138765	16	• NUT, Hex nylon lock (#8-32, Grade 5)
10	138751	3	• HOUSING, Open bottom 24 pin levered
11	138756	2	• SOCKET, 24 Pin spring (16A)
12	138755	1	• PLUG, 24 Pin spring (16A)
13	103056	1	• BEEPER (7.5 - 16 VDC)
14	116266	4	• CONNECTOR, Heyco liquid tight
15	131938	1	• PLUG (1.125")
16	117325	3	• CIRCUIT BREAKER (15 AMP)
17	102853	5	• SWITCH, Toggle, A
		4	• SWITCH, Toggle, B
18	103336	1	• HOUR METER
19	138277	1	• KEYSWITCH (3-position), A
	138137	1	• • KEY (#455)
	138136	1	• • NUT, Key switch
20	138767	1	• WASHER, Internal tooth (7/8", zinc)
21	144652	1	• SWITCH, Emergency stop red
22	(Ref.)	-	• SWITCH, Base assembly (NC/LED red)
	147056	1	• • LATCH, Mounting
	147053	1	• • BLOCK, NC Contact
	147229	1	• • SWITCH, LED block
23	148973	1	• LIGHT, Pilot (Red)
24	139127	2	• PLUG (1/2"), A
		3	• PLUG (1/2"), B
25	138278	3	• SWITCH, Toggle
26	126499	2	• SCREW, Round head machine (#8-32 x 5/8")
27	146652	1	• HORN (12V)
28	149056	1	BRACKET, Base control mounting
29	103995	4	WASHER, Flat (1/4")
30	115649	5	NUT, Hex nylon lock (1/4"-16, Grade 5)
31	103473	3	BOLT, Hex head (3/8"-16 x 1", Grade 5)
32	125959	3	WASHER, Flat hardened (3/8")
33	(Ref.)	-	CONTROL CABLE HARNESS (Male End) (For components, refer to Section 5.3)
34	(Ref.)	-	CONTROL CABLE HARNESS (Female End) (For components, refer to Section 5.3)
35	(Ref.)	-	MAIN ELECTRICAL HARNESS (For components, refer to Section 5.1)

CLICK HERE TO **DOWNLOAD** THE COMPLETE MANUAL

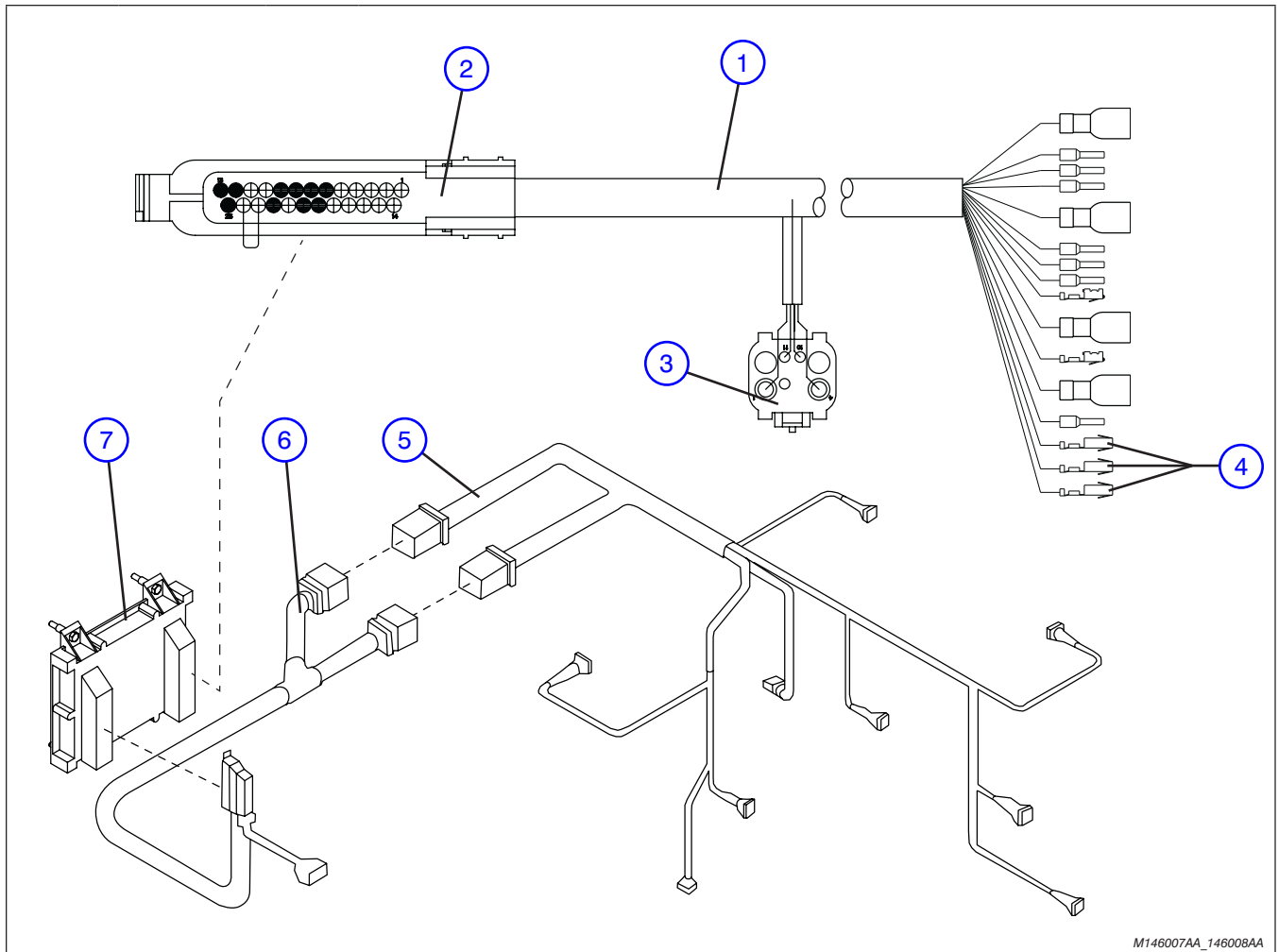
- Thank you very much for reading the preview of the manual.
- You can download the complete manual from: www.heydownloads.com by clicking the link below



- Please note: If there is no response to CLICKING the link, please download this PDF first and then click on it.

CLICK HERE TO **DOWNLOAD** THE COMPLETE MANUAL

5.6 ECU Harnesses



M146007AA_146008AA

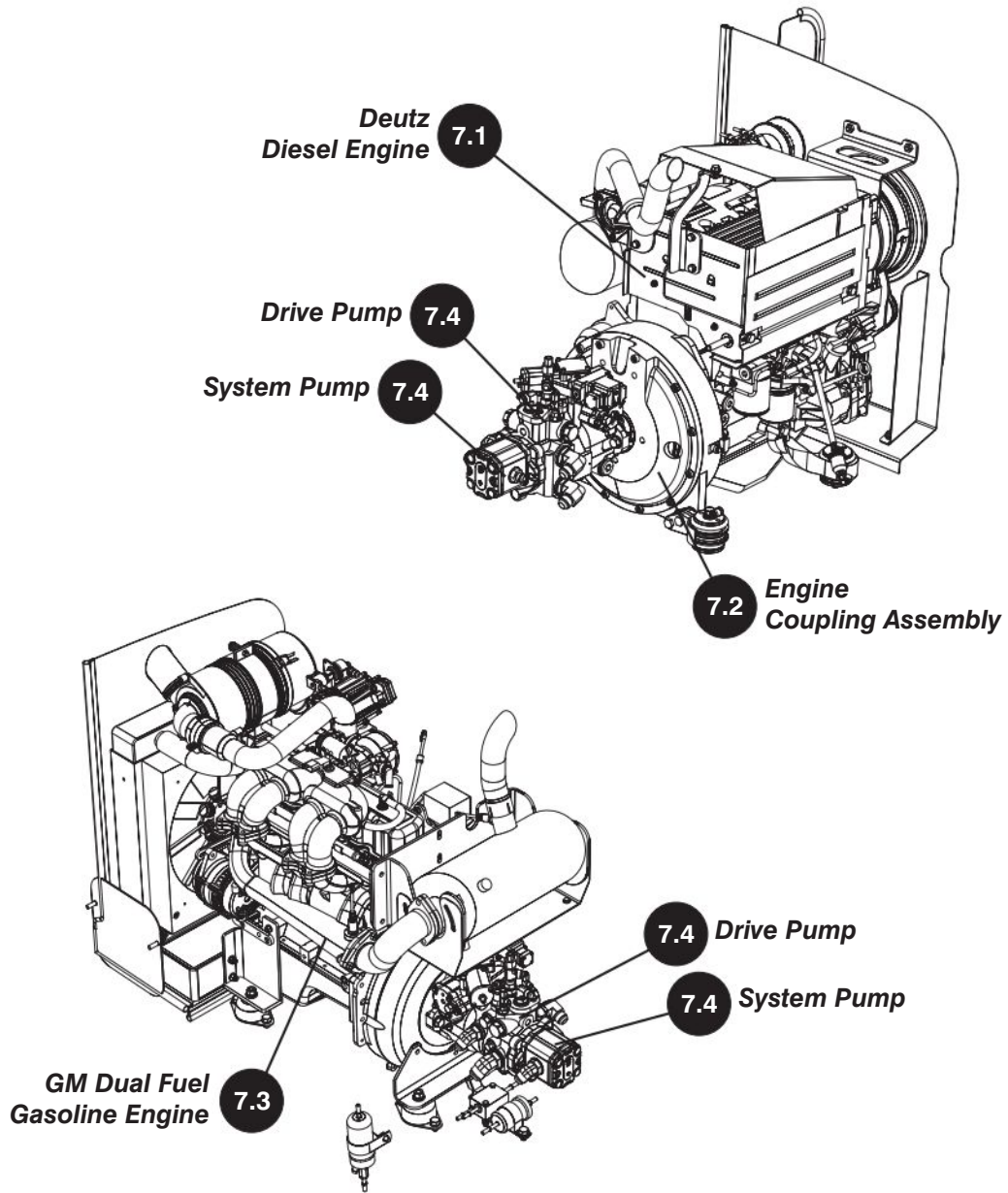
Index No.	Skyjack Part No.	Qty.	Description
1	148927	-	HARNESS, ECU
2	138574	1	• CONNECTOR KIT, Deutz controller
3	150975	1	• CONNECTOR KIT, Universal
4	138576	1	• CONNECTOR KIT, Deutz programming
5	146007	1	HARNESS, Cable
6	146008	1	HARNESS, Interconnect Cable
7	(Ref.)	1	ENGINE CONTROL UNIT, Deutz (For components, refer to Section 4.18)

6.4 Differential Assembly - Rear Axle Assembly with Gear Box

Index No.	Skyjack Part No.	Qty.	Description
1	140977	4	BOLT
2	141068	2	NUT, Ring
3	151768	2	BOLT
4	140993	12	BOLT
5	141065	1	GEAR SET, Bevel
6	140987	2	BEARING, Taper roller
7	154576	1	BOOT
8	154577	1	SWITCH, Security
9	154589	1	WASHER, Seal
10	154578	1	WASHER, Seal
11	154580	1	NUT
12	154579	1	O-RING
13	154588	1	SELECTOR FORK
14	154587	1	CIRCLIP
15	154586	1	PLUG
16	154585	1	SPRING
17	154571	1	CIRCLIP
18	154584	1	PISTON
19	154583	1	O-RING
20	154575	1	RING
21	140966	1	CIRCLIP
22	140980	1	RING NUT
23	140984	2	BEARING, Taper roller
24	141063	1	COVER
25	141075	8	WASHER, Spring
26	141076	8	BOLT, Hexagon
27	141064	1	O-RING
28	141062	1	SPACER
29	141074	1	SEAL
30	141072	12	BOLT, Hexagon
31	154574	6	BALL, Detent
32	154582	1	SELECTOR
33	154572	1	KEY
34	154581	1	SHEET
K1	140982	1	KIT, Shim
K2	140983	1	KIT, Shim
K3	154573	1	KIT, Differential position

6.9 Front Axle Assembly

Index No.	Skyjack Part No.	Qty.	Description
-	148701	-	FRONT AXLE ASSEMBLY
1	154624	2	• BUSHING, Thrust
2	154625	4	• SEAL
3	154626	2	• JOINT
4	141006	4	• PLUG
5	141014	4	• FITTING, Grease
6	140993	20	• BOLT
7	151765	2	• BUSHING
8	154630	1	• CASE, Steering (Left)
	154629	1	• CASE, Steering (Right)
9	154632	16	• STUD, Wheel
10	141168	16	• NUT
11	154631	2	• SEAL
12	154638	4	• BEARING
13	154639	2	• HUB, Wheel
14	140970	2	• O-RING
15	154637	16	• STUD
16	154636	16	• NUT
17	154634	2	• PLATE, Locking
18	154635	2	• SPACER
19	141036	2	• CIRCLIP
20	141033	4	• BOLT, Countersunk
21	140969	2	• PLUG
K1	154628	2	• KIT, Pivot pin
K2	141034	2	• KIT, Planet gear carrier
K3	154633	2	• KIT, Ring gear support
K4	154627	2	• KIT, Shim
K5	141017	4	• KIT, Steering adjust bolt



Index No.	Skyjack Part No.	Qty.	Description
3	104185	4	• • WASHER, Lock (#10)
	104003	4	• • NUT, (#10-32)
	152185	4	• • SCREW, Slot head (#10-32 x 3/4")
	(Ref.)	1	• CATALYST MUFFLER ASSEMBLY
	152189	1	• • FLANGE, Exhaust
	152190	1	• • GASKET, Exhaust
	159091	1	• • MUFFLER, Catalyst (3.0L) (GM Tier III)
	152191	1	• • MUFFLER, Catalyst (3.0L) (GM Tier II)
	152192	1	• • FLANGE, Hi-temp exhaust (2.5"OD)
	152193	1	• • FLANGE, Hi-temp exhaust (2.0"OD)
	152194	1	• • SEAL, Hi-temp exhaust (2.5"OD)
	152195	1	• • SEAL, Hi-temp exhaust (2"ID)
	152196	1	• • BRACKET, Catalyst muffler
	152197	2	• • BRACKET, Side Catalyst muffler
	152198	1	• • TUBE, Exhaust
	103473	6	• • BOLT, Hex head (3/8"-16 x 1", Grade 5)
	101297	6	• • BOLT, Hex head (3/8"-16 x 1.25", Grade 5)
	103870	8	• • BOLT, Hex head (3/8"-16 x 1.5", Grade 5)
	103999	12	• • WASHER, Lock (3/8")
	103472	19	• • WASHER, Flat (3/8")
	152200	10	• • WASHER, Flat (3/8", USS)
	103978	10	• • NUT (3/8"-16)
	4	152547	1
5	116997	9	BOLT, Hex head (1/2"-13 x 1.75", Grade 5)
6	103909	4	BOLT, Hex head (1/2"-13 x 1.25", Grade 5)
7	104379	5	WASHER, Flat hardened (1/2")
8	103470	9	WASHER, Lock (1/2", Grade 5)
9	103471	4	NUT, Hex head (1/2"-13, Grade 5)
10	149496	9	NUT, Speed clip (1/4"-20 x 1/5" depth)
11	149198	1	PLATE, Baffle
12	149357	75"	SEAL, Bulb
13	103892	9	BOLT, Hex head (1/4"-20 x 5/8", Grade 5)
14	103995	13	WASHER, Flat (1/4")
15	127284	2	BOLT, Hex head (1/4"-20 x 2.5", Grade 5)
16	115649	2	NUT, Hex nylon lock (1/4"-20, Grade 5)
17	138464	1	BOLT, Hex head (3/8"-16 x 5/8", Grade 5)
18	125959	2	WASHER, Flat hardened (3/8")
19	152556	1	SHROUD, Under radiator (GM)
20	152416	2	WASHER, Rubber (1x 3/7 x 1/8 TK)
21	104606	2	NUT, Hex nylon lock (3/8"-16, Grade 5)
22	152486	1	PLATE, Turret cover (GM)
23	101297	2	BOLT, Hex head (3/8"-16 x 1.25", Grade 5)
24	103472	2	WASHER, Flat (3/8")
25	103999	3	WASHER, Lock (3/8")
26	104000	9	WASHER, Lock (1/2")
27	127067	2	WASHER, Flat (3/8, style BB)
28	152555	1	HOSE, Air intake
29	118367	1	NUT, Hex (M4-0.7 DIN934)
30	133872	1	NUT, Hex (M5-0.8 DIN934)
31	(Ref.)	-	FUEL
32	(Ref.)	-	OIL

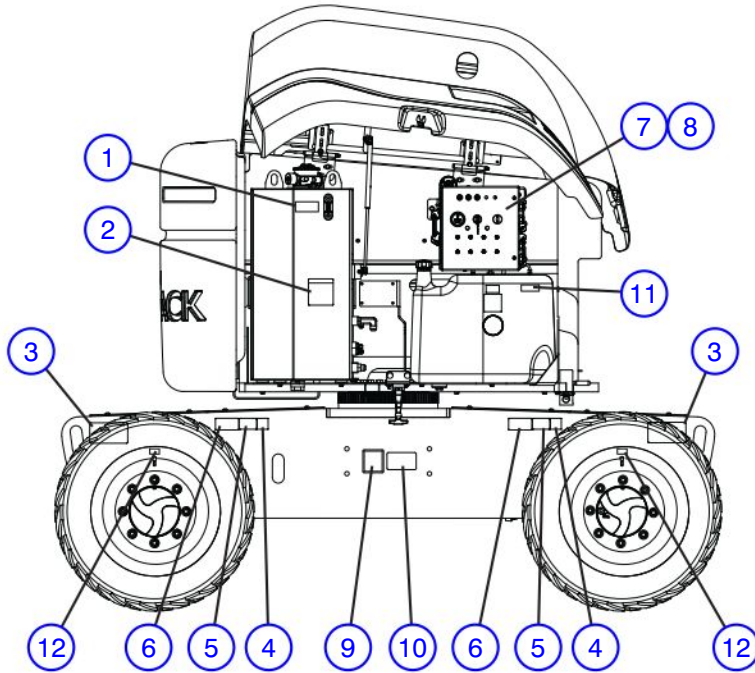
(For components, refer to Section 11.1)

Index No.	Hose P/N	From		To	
		Description	Port	Port	Description
1	H3408 0012 0	Hydraulic Tank - E. Suction	-	EP1	Emergency Power Unit
2	H3404 0037 0	Emergency Power Unit	EP2	AUX	Main Manifold
3	H2512 0028 0	Main Manifold	T1	-	Return Line Filter
4	H3404 0041 0	Brake Manifold	AL	2	Rotary Manifold
5	H3404 0047 0	Brake Manifold	BR	4	Rotary Manifold
6	H3404 0041 0	Brake Manifold	D	10	Rotary Manifold
7	H3408 0057 0	Rotary Manifold	9	-	Hydraulic Tank - M. Case Drain
8	H3104 0013 0	Hydraulic Tank - H. Suction	-	T0	Brake Manifold
9	H3104 0072 0	Main Manifold	ST2	5	Rotary Manifold
10	H3404 0041 0	Brake Manifold	2SPD	2	Rotary Manifold
11	H3404 0028 0	Brake Manifold	T	T3	Main Manifold
12	H3104 0068 0	Main Manifold	ST1	1	Rotary Manifold

- 9.1 *All Motion Alarm Assembly*
- 9.2 *Air Hose to Platform Option*
- 9.3 *Working Light Option - ANSI/CSA*
- 9.4 *Flashing Amber Light Option*
- 9.5 *Cold Start Option*
- 9.6 *Artic Package Option*
- 9.7 *Diesel Scrubber Option*
- 9.8 *46A/AJ Generator with Cooler Option*
- 9.9 *Hydraulic Hose Connection - 46A/AJ Generator*
- 9.10 *51AJ - CE & AS Generator with Cooler Option*
- 9.11 *Hydraulic Hose Connection - 51AJ - CE & AS Generator*
- 9.12 *Generator Wiring*
- 9.13 *Cooler Wiring*
- 9.14 *Glazier Package Assembly*

Index No.	Skyjack Part No.	Qty.	Description
A	148620	1	GENERATOR WITH OIL COOLER OPTION (ANSI/CSA, SJ46AJ)
B	148602	1	GENERATOR WITH OIL COOLER OPTION (CE & AS, SJ46AJ)
1	703284	2	• FITTING, Elbow 90° (12 JICM -12 JICFSW)
2	707277	1	• FITTING, Branch tee (12 JICM - 12 JICM - 12 ORBM)
3	706715	2	• FITTING, Tee swivel (-8 JIC)
4	114583	1	• FITTING, Elbow 90° (08 JICM - 08 ORBM)
5	103980	4	• NUT, Hex head (1/4"-20, Grade 8)
6	127284	4	• BOLT, Hex head (1/4"-20 x 2.5", Grade 5)
7	104000	4	• WASHER, Lock (1/4")
8	103995	8	• WASHER, Flat (1/4")
9	139739	2	• FITTING, Elbow 45° (08 JICM - 08 ORBM)
10	704859	2	• FITTING (08MJ06MB)
11	703412	1	• FITTING, Straight (12 JICF - 08 JICM)
12	702118	1	• FITTING, Straight (12 JICM - 12 ORBM)
13	152593	1	• PAD, Wear (5.00" X 4.00" X 3.329")
14	152558	1	• BRACKET, Valve mount
15	152515	1	• GENERATOR (3500 WATT - 60Hz AC), A
	152520	1	• GENERATOR (3500 WATT - 50Hz AC), B
	210410	1	• VALVE, Flow control
16	152595	1	• SOLENOID VALVE ASSEMBLY
17	152596	1	• RELIEF VALVE ASSEMBLY
18	152592	1	• WELDMENT, Generator mount
19	152513	2	• MOUNT, Oil cooler
20	152600	1	• WELDMENT, Cooler mount
21	139092	1	• COOLER, Hydraulic oil
	209374	1	• FAN, Oil cooler
22	103978	12	• NUT, Hex head (3/8"-16, Grade 5)
23	101297	6	• BOLT, Hex head (3/8"-16 x 1.25", Grade 5)
24	103472	32	• WASHER, Flat (3/8")
25	103871	4	• BOLT, Hex head (3/8"-16 x 1.75", Grade 5)
26	152594	1	• SPACER
27	103473	4	• BOLT, Hex head (3/8"-16 x 1", Grade 5)
28	103870	4	• BOLT, Hex head (3/8"-16 x 1.5", Grade 5)
29	103847	2	• BOLT, Hex head (M10 x 1.5 x 20mm, Grade 9.8)
30	600315	2	• WASHER, Flat (M10, DIN 125)
31	104606	2	• NUT, Hex nylon lock (3/8"-16, Grade 5)

Index No.	Skyjack Part No.	Qty.	Description
-	149135	1	GLAZIER PACKAGE ASSEMBLY
1	152542	1	<ul style="list-style-type: none"> • WELDMENT, Glazier tray
2	152543	3	<ul style="list-style-type: none"> • WEAR PAD
3	144483	5	<ul style="list-style-type: none"> • PLATE, Backing
4	103866	2	<ul style="list-style-type: none"> • BOLT, Hex head (5/16"-18 x 2.25", Grade 5)
5	103864	4	<ul style="list-style-type: none"> • BOLT, Hex head (5/16"-18 x 1", Grade 5)
6	138464	6	<ul style="list-style-type: none"> • BOLT, Hex head (3/8"-16 x 5/8", Grade 5)
7	103999	6	<ul style="list-style-type: none"> • WASHER, Lock (3/8")
8	103472	6	<ul style="list-style-type: none"> • WASHER, Flat (3/8")
9	103996	6	<ul style="list-style-type: none"> • WASHER, Flat (5/16")
10	103404	6	<ul style="list-style-type: none"> • WASHER, Lock (5/16")
11	100397	6	<ul style="list-style-type: none"> • NUT, Hex head (5/16"-18, Grade 5)
12	144491	1	<ul style="list-style-type: none"> • FOAM, Support
13	144604	1	<ul style="list-style-type: none"> • COVER, Bumper
14	144613	1	<ul style="list-style-type: none"> • STRAP, Glazier kit
15	100397	6	<ul style="list-style-type: none"> • NUT, Hex head (5/16"-18, Grade 5)
16	100397	6	<ul style="list-style-type: none"> • NUT, Hex head (5/16"-18, Grade 5)
17	152565	1	<ul style="list-style-type: none"> • FIELD KIT INSTRUCTION, Glazier package option (Not shown)
L1	151182	2	<ul style="list-style-type: none"> • LABEL, Panel cradle capacity



M149116AB_CC

Index No.	Skyjack Part No.	Qty.	Description
1	146016	1	LABEL, Hydraulic oil level (min/max)
2	143472	1	LABEL, Winch/Tow procedure
3	124767	2	LABEL, Tie down/lift lugs pictorial
4	145990	2	LABEL, Wheel load (3530kg/7775lb) (46AJ)
	152491	2	LABEL, Wheel load (3842kg/8470lb) (51AJ)
5	402156	2	LABEL, Tire pressure (Air filled)
		2	LABEL, Tire pressure (Air filled non-marking)
	142384	2	LABEL, Foam filled tire
6	124631	2	LABEL, Wheel Specification
7	148976	1	LABEL, Base control
8	149461	1	LABEL, Engine fault switch (If equipped)
9	128226	2	LABEL, 103 Decibel (CE)
10	117023	2	LABEL, "CE" (CE)
11	152230	1	LABEL, Grease point
12	141848	2	LABEL, Tire sealant (Air filled)

(To order a complete label kit, refer to Section 10.1)

CLICK HERE TO **DOWNLOAD** THE COMPLETE MANUAL

- Thank you very much for reading the preview of the manual.
- You can download the complete manual from: www.heydownloads.com by clicking the link below



- Please note: If there is no response to CLICKING the link, please download this PDF first and then click on it.

CLICK HERE TO **DOWNLOAD** THE COMPLETE MANUAL