

MODELS | SJ 8831 SJ 8841



# Parts Manual

Full-Size Rough Terrain Series (ANSI/CSA & KC)

Part No. 157954AE February 2014



CLICK HERE TO **DOWNLOAD** THE COMPLETE MANUAL

- Thank you very much for reading the preview of the manual.
- You can download the complete manual from: [www.heydownloads.com](http://www.heydownloads.com) by clicking the link below



- Please note: If there is no response to CLICKING the link, please download this PDF first and then click on it.

CLICK HERE TO **DOWNLOAD** THE COMPLETE MANUAL

**1.1 Platform and Hinged Railing Assembly (Continued)**

Index No.	Skyjack Part No.	Qty.	Description
<b>Parts list continued from the previous page.</b>			
18	103107	2	SPRING, Compression
19	105310	2	PIN, Roll (1/8" x 1.25")
20	105307	2	PLATE, Latch release
21	105312	2	GUIDE, Spring
22	110693	2	STOP, Latch
	103632	4	SCREW, Self-tapping (1/4"-14 x 3/4")
23	100702	AR	CAP, Tube end
24	109377	2	PIN, Latch (5/8" x 4.1875")
25	100509	AR	PIN, Locking (3/8")
	105807	AR	CABLE, Lanyard (6")

### 1.6 Powered Extension Platform Electrical Panel

Index No.	Skyjack Part No.	Qty.	Description
A	-	-	SINGLE POWERED EXTENSION PLATFORM
B	-	-	DOUBLE POWERED EXTENSION PLATFORM (Shown)
1	119602	4.5"	CABLE
2	102921	1	DIODE
3	119600	720"	CABLE (Model 8841)
	119611	574"	CABLE (Model 8831)
4	122169	1	BRACKET, Power platform PC board
	103864	2	• BOLT, Hex head (5/16"-18 x 1", Grade 5)
	103996	2	• WASHER, Flat (5/16")
	100397	2	• NUT, Hex head (5/16"-18, Grade 5)
	103404	2	• WASHER, Lock (5/16")
5	120844	1	BOARD, Power platform PC
	104698	4	• BOLT, Machine (#10-32 x 3/4")
	104694	4	• WASHER, Flat (#10)
	104185	4	• WASHER, Lock (#10)
6	120658	1	FUSE (10A)
7	122154	1	HARNESS, Power platform pump contactor
	119897	1	• PLUG, PC board connector (5 Pin)
8	122178	1	HARNESS, Power platform control console, A
	122179	1	HARNESS, Power platform control console, B
	119900	1	• PLUG, PC board connector (8 Pin)
	107711	AR	• FEMALE CONNECTOR ASSEMBLY (5 pin)
	103568	1	• • HOUSING
	103570	1	• • INSERT, Female
9	122155	1	HARNESS, Power platform directional valves, A
	122171	1	HARNESS, Power platform directional valves, B
	119896	AR	• PLUG, PC board connector (4 pin)
	127315	AR	• CONNECTOR, Solenoid with diode
10	119598	720"	CABLE (Model 8841)
	119610	574"	CABLE (Model 8831)
11	119601	8"	CABLE
12	103256	20"	CABTIRE (18/2)

**1.13a Drive/Steer Controller Assembly**

Index No.	Skyjack Part No.	Qty.	Description
-	132537	1	ENABLE CONTROLLER ASSEMBLY (For 8831 with serial number 36000244 and below) (For 8841 with serial number 40000899 and below)
1	122849	1	• HANDLE ASSEMBLY
2	122873	1	• • LEVER, Trigger
3	122872	1	• • SWITCH, Push button
4	122874	1	• • CAP, Rubber
5	134112	1	• • KIT, Handle
6	122876	1	• • ROCKER ASSEMBLY
7	122877	2	• • MICRO SWITCH ASSEMBLY
8	122879	4	• • SCREW, Controller handle
9	122959	1	• • SCREW, Controller lever
10	122960	2	• • SCREW, set
11	122961	1	• • COUPLING (8mm)
12	122962	1	• • COUPLING (10mm)
13	122963	1	• • NUT, Pushbutton
14	122964	1	• • NUT, Controller lever
15	122965	1	• • FITTING, O-ring
16	122846	2	• SCREW
17	122847	2	• WASHER
18	127179	1	• BOOT & GASKET
19	122861	1	• BASE
20	122865	4	• SPACER
21	122864	1	• CAM
22	139543	4	• BRACKET
23	122870	2	• WASHER
24	122863	2	• SCREW
25	122866	2	• SCREW
26	122869	4	• MICROSWITCH
27	122862	1	• CAM
28	122840	1	• MALE CONNECTOR ASSEMBLY (9 pin)
	116993	1	• • HOUSING, Male
	116990	9	• • PIN, Wire (Female)
29	122841	1	• FEMALE CONNECTOR ASSEMBLY (9 pin)
	122839	1	• • HOUSING, Female
	116989	9	• • PIN, Wire (Male)
30	127035	1	• RELAY, 12 V (40 amp)

### 2.3 Scissor Arm Mounting Hardware

Index No.	Skyjack Part No.	Qty.	Description
1	103887	AR	BOLT, Hex head (5/16"-18 x 3/4")
2	103404	AR	WASHER, Lock (5/16")
3	110413	4	PIN, Slider
4	111225	8	SLIDER ASSEMBLY
	117148	8	• KIT, Slider bushing replacement
	118768	1	• • BUSHING (1" x 1.1875" x 3/4")
	118767	2	• • BUSHING (1" x 1.1875" x 1")
	117553	1	• • BUSHING (1" x 1.125" x 3/8")
	101581	2	• • BUSHING (1" x 1.125" x 1.25")
5	105549	8	• WELDMENT, Slider
6	101950	8	• PAD, Teflon (3/8" x 3.5" x 5.5")
7	103701	16	• PAD, Teflon (3/8" x 1.25" x 5.5")
8	101949	4	• PIN (3/8" diameter x 1.25")
9	114043	4	BAR, Centering
10	101689	3	WELDMENT, Centering bar pivot
	103907	AR	BOLT, Hex head (1/2"-13 x 1.5", Grade 5)
	103468	AR	WASHER, Flat (1/2")
	103470	AR	WASHER, Lock (1/2")
11	101523	2	BUSHING, Fiberglide (1.25" x 3/4")
12	110418	4	PIN, Centering bar pivot
13	103997	4	WASHER, Flat (1.25")
14	115532	4	PIN, Cotter (1/4" x 2.5")

## 2.8 Hydraulic Hose Connections - Lift Cylinders

Index No.	Skyjack Part No.	Qty.	Description
1	(Ref.)	-	LIFT CYLINDER ASSEMBLY (For components, refer to Section 2.7)
2	114578	4	FITTING, Elbow 90° (06 JICM - 06 ORBM)
3	125430	1	BLOCK, Lift manifold
	103746	8	• BOLT, Socket (5/16"-18)
	104637	8	• WASHER, Lock (5/16")
4	104437	2	PLUG, Socket head (#6)
5	103090	2	CONDUIT, Convoluted (1.25" x 28")
6	110592	2	HOSE ASSEMBLY, Lift cylinder (30")
7	114582	1	FITTING, Elbow 90° (#8orb-#6)
8	114227	1	HOSE ASSEMBLY, Lift manifold to lowering valve manifold (149")
9	113556	1	VALVE ASSEMBLY, Lowering
	119085	AR	• KIT, Seal repair
10	113494	1	BLOCK, Lowering valve manifold
	103943	1	BOLT, SHCS (1/4"-20 x 2")
	103980	1	NUT, Hex head (1/4"-20)
	104000	1	WASHER, Lock (1/4")
	103995	1	WASHER, Flat (1/4")
11	114583	2	FITTING, Elbow 90° (08 JICM - 08 ORBM)
12	113496	1	SPACER, Orifice
13	125012	1	ORIFICE (0.110" diameter)
14	110473	1	HOSE ASSEMBLY, Lowering valve manifold to main manifold (60")
15	125244	1	ORIFICE (0.120" diameter) <b>(Model 8841)</b>

### 3.1 Base Assembly (Continued)

Index No.	Skyjack Part No.	Qty.	Description
			<b>Parts list continued from the previous page.</b>
14	110760	1	WELDMENT, Propane tank mount RH (Dual fuel option)
15	110759	1	WELDMENT, Propane tank storage LH (Dual fuel option)
16	(Ref.)	-	DUAL FUEL / DIESEL ENGINE ASSEMBLY (For Kubota diesel components, refer to Section 5.4) (For GM dual fuel components, refer to Section 5.11)
17	103198	16	BOLT, Wheel (5/8"-18) (Front idle axle)
	116801	16	NUT, Wheel (5/8"-18) (Front drive axle)
18	121035	1	• BRACKET, End access
19	121036	1	• BRACKET, End access
20	121032	1	• BUMPER, End access
21	123788	2	ADDITIONAL WEIGHT ASSEMBLY <b>(Model 8841 Air tire without outriggers)</b>
	123802	1	• WELDMENT, Additional weight
	120562	2	• PLATE, Cover
	101632	4	• BOLT, Hex head (3/8"-16 x 3/4")
	103999	4	• WASHER, Lock (3/8")
22	123760	1	STATIC STRAP ASSEMBLY (LPS Option)
	123752	2	• STRAP, Static
	101632	1	• BOLT (3/8"-16 x 3/4")
	103999	1	• WASHER, Lock (3/8")
23	124342	1	KIT, Emergency Lowering access bar
	132477	1	• BAR ASSEMBLY, Emergency lowering access <b>(ANSI/CSA)</b>
	119920	2	• CLIP, Spring
	103964	2	• BOLT, Machine (#10-32 x 1/4")
	124160	2	• PIN, Locking
24	145976	1	TANK, Propane
25	-	-	CLAMP ASSEMBLY (Ontario Hydro) (Not shown)
	104528	2	CLAMP, Gear (#28)
	124176	12"	PROTECTOR, Wire (1.25")
	103995	1	WASHER, Flat (1/4" S.A.E.)
	103078	1	CLIP, Double (G10)
	103632	1	BOLT, Self tapping (1/4"-14 x 3/4")

Index No.	Skyjack Part No.	Qty.	Description
1	147587	1	WELDMENT, Hydraulic/electric cabinet
2	108461	1	HYDRAULIC DOOR COMPONENTS ASSEMBLY (ANSI/CSA)
	103628	102"	SEAL, Foam
3	108462	1	HYDRAULIC DOOR COMPONENTS ASSEMBLY (ANSI/CSA)
	103628	88"	SEAL, Foam
4	116052	2	CABLE, Lanyard (18")
5	(Ref.)	-	MAIN MANIFOLD ASSEMBLY (For components, refer to Section 3.10)
	116107	4	STUD (5/16"-18 x 1.5")
	103404	4	WASHER, Lock (5/16")
	103996	4	WASHER, Flat (5/16")
	100397	4	NUT, Hex (5/16"-18)
6	(Ref.)	-	BRAKE MANIFOLD ASSEMBLY (For components, refer to Section 3.8)
	103887	2	BOLT, Hex head (5/16"-18 x 3/4")
	103404	2	WASHER, Lock (5/16")
	103996	2	WASHER, Flat (5/16")
7	(Ref.)	-	EMERGENCY LOWERING VALVE MANIFOLD ASSEMBLY (For components, refer to Section 3.7)
	103860	2	BOLT, Hex head (1/4"-20 x 1.75")
	104000	2	WASHER, Lock (1/4")
	103995	2	WASHER, Flat (1/4")
8	134300	1	CABLE (Main disconnect switch to engine, #2 GA)
9	(Ref.)	-	BASE CONTROL/ELECTRICAL PANEL ASSEMBLY (For components, refer to Section 3.11)
10	103295	1	BATTERY, 12 Volt
11	108794	1	PLATE, Battery mounting
	103887	2	BOLT, Hex head (5/16"-18 x 3/4")
	103404	2	WASHER, Lock (5/16")
	100397	2	NUT, Hex head (5/16"-18, Grade 5)
	103628	12"	SEAL, Rubber
12	103105	1	BLOCK, terminal (16 poles)
	103962	2	SCREW, Machine (#10-32 x 1/2")
13	108170	AR	BAR, Double terminal spade
14	119726	1	SWITCH (Power off/on)
	126438	1	JUMPER, Wire
	107748	1	WASHER, Internal tooth lock (3/4")
	106450	2	NUT, Jam (3/4")
15	117408	1	BOOT, Switch terminal
16	122435	1	CABLE (Main disconnect switch to battery, #2 GA)

Parts list continued on the following page.

### 3.11 Electrical Panel Assembly

Index No.	Skyjack Part No.	Qty.	Description
1	147377	1	PANEL, Base control/electrical
2	103864	4	BOLT, Hex head (5/16"-18 x 1", Grade 5)
3	103996	4	WASHER, Flat (5/16")
4	103404	4	WASHER, Lock (5/16")
5	100397	8	NUT, Hex head (5/16"-18, Grade 5)
6	102479	AR	SOCKET, Single relay
7	103271	AR	SOCKET, Double relay
8	103316	AR	RELAY, Single (12V SPDT)
	121459	AR	• CLIP, Single relay mounting
9	103207	AR	RELAY, Double (12V DPDT)
	121460	AR	• CLIP, Double relay mounting
10	132807	1	DIODE ASSEMBLY (D17A, D18A)
	129213	1	DIODE ASSEMBLY (D15A-2, D16A-2)
11	104313	1	DIODE ASSEMBLY (D15A-1 thru D24A)
12	127688	1	DIODE ASSEMBLY (D28A)
	129434	1	DIODE ASSEMBLY (D30/D30A)
	127684	1	DIODE ASSEMBLY (D44)
13	102921	AR	DIODE
14	103336	1	HOURMETER
15	117326	2	BREAKER, Circuit (20 amp.)
16	117325	1	BREAKER, Circuit (15 amp.) (Oil Cooler option)
17	102971	1	BRACKET, Conduit
	103856	1	BOLT, Hex head (1/4"-20 x 3/4", Grade 5)
	103980	1	NUT, Hex head (1/4"-20, Grade 5)
	103995	1	WASHER, Flat (1/4")
	104000	1	WASHER, Lock (1/4")
18	133148	2	TRACK, Relay (11")
	103964	4	SCREW, Round head machine (#10-32 x 1/4")
19	132793	1	CLAMP, Plastic (Flasher)
20	103743	1	FLASHER (12 Volt)
21	103319	AR	CAPACITOR (50 Volt, 1000UF)
22	103011	2	BLOCK, Terminal strip (12P large)
	103956	4	SCREW, Round head machine (#6-32 x 1")
	103985	4	NUT, Hex (#6-32)
L	(Ref.)	-	LABELS (Refer to Section 7.1)

CLICK HERE TO **DOWNLOAD** THE COMPLETE MANUAL

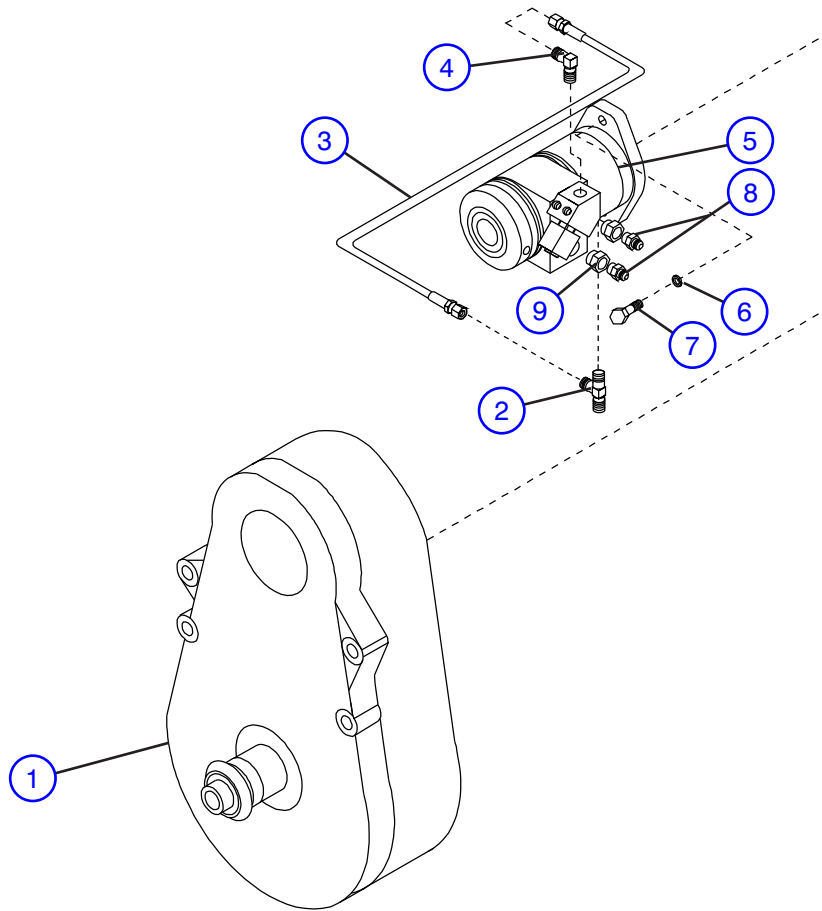
- Thank you very much for reading the preview of the manual.
- You can download the complete manual from: [www.heydownloads.com](http://www.heydownloads.com) by clicking the link below



- Please note: If there is no response to CLICKING the link, please download this PDF first and then click on it.

CLICK HERE TO **DOWNLOAD** THE COMPLETE MANUAL

Index No.	Skyjack Part No.	Qty.	Description
-	128818	-	FRONT AXLE ASSEMBLY (Linamar Axles)
1	(Ref)	-	STEER CYLINDER ASSEMBLY (For components, refer to Section 4.8)
2	128284	2	PLUG, Magnetic (3/4"-16 UNF)
	128285	2	GASKET, Drain plug (3/4")
3	133443	1	TIE ROD
4	133404	2	BOLT, Steer stop
5	109598	2	NUT, Hex head jam (1/2"-20)
6	(Ref)	-	AXLE END (For components, refer to Section 4.4)
7	(Ref)	-	AXLE SHAFT ASSEMBLY (For components, refer to Section 4.7)
8	(Ref)	-	DIFFERENTIAL ASSEMBLY (For components, refer to Section 4.5)
9	107947	1	NUT, Hex head jam (1-14)
10	133475	4	PIN, Clevis
11	133481	4	BOLT, Hex head cap (5/16"-18 x 5/8", Grade 5)
12	133485	4	BUSHING (DU type)
13	133486	4	WASHER, Thrust (DU type)
14	133456	1	ROD END, Tie rod
15	117430	12	BOLT, Hex head cap (3/8"-16 x 1.25", Grade 8)
16	133383	AR	SEALANT, RTV
17	133469	2	SEAL, Oil C/W guide
18	133438	1	WELDMENT, Front axle



M133626AC1

Index No.	Skyjack Part No.	Qty.	Description
1	(Ref.)	-	CENTER DRIVE ASSEMBLY (For components, refer to Section 4.11)
2	121602	1	FITTING, Tee (06 JICM - 04 ORBM - 06 JICM)
3	108003	1	HOSE, Hydraulic line (16")
4	113348	1	FITTING, Elbow 90° (MAORB04MJ06)
5	109311	1	MOTOR, 2 Speed drive
	134416	1	• HARNESS, 2-speed motor wiring
	103623	1	• VALVE, Series/Parallel
	355113	1	• MANIFOLD, Motor
	103613	1	• COIL, Series/Parallel valve
	115340	4	• CHECK BALL
	115338	1	• SEAL KIT
6	103470	2	WASHER, Lock (1/2")
7	103910	2	BOLT (1/2"-13 x 1.25", Grade 8) (Use Loctite 242 or equivalent)
8	102659	2	FITTING, Straight (08 JICM - 08 ORBM)
9	104436	2	FITTING, Reducer

## 5.1 Engine Roll-Out Tray Assembly (Kubota Engine)

Index No.	Skyjack Part No.	Qty.	Description
1	-	-	ENGINE GUARD ASSEMBLY
	141861	1	• WELDMENT, Engine guard
	142402	1	• TRIM, Rubber
	147327	1	• TRIM, Rubber (Diesel fuel engines)
2	132870	2	WELDMENT, Engine cover
3	103996	4	WASHER, Flat (5/16")
4	103404	4	WASHER, Lock (5/16")
5	101632	4	BOLT, Hex head (3/8"-16 x 3/4", Grade 5)
6	116621	4	SHIM, Slide out pin
7	111351	2	ROLLER (2.75" OD x 7/8"ID x 1.1875")
8	133355	1	BRACKET, E-chain
9	-	-	HARDWARE, E-chain bracket
	103858	2	• BOLT, Hex head (1/4"-20 x 1.25", Grade 5)
	103995	4	• WASHER, Flat (1/4")
	104000	2	• WASHER, Lock (1/4")
	103980	2	• NUT, Hex head (1/4"-20, Grade 5)
10	103905	2	BOLT, Hex head (1/2"-13 x 2", Grade 5)
11	702507	2	NUT, Lock (1/2"-13)
12	(Ref.)	-	ENGINE TRAY LOCK ASSEMBLY (For components, refer to Section 5.3)
13	116494	3	BUMPER, Rubber
14	111954	1	ENGINE GUARD DOOR LATCH ASSEMBLY (Right hand)
	102780	1	• LATCH, Rotary
	103404	3	• WASHER, Lock (5/16")
	103864	3	• BOLT, Hex head (5/16"-18 x 1", Grade 5)
	103857	1	• BOLT, Hex head (1/4"-20 x 1", Grade 5)
	104000	6	• WASHER, Lock (1/4")
	103980	1	• NUT, Hex head (1/4"-20, Grade 5)
	111534	1	• KNOB, Rotary latch
15	(Ref.)	-	PANEL, Engine control (For components, refer to Section 5.2)
16	141693	1	WELDMENT, Engine tray
17	-	-	HARDWARE, E-chain bracket
	103914	2	• BOLT, Hex head (3/8"-16 x 3.75" Grade 5)
	104606	2	• NUT, Hex nylon lock (3/8", Grade 5)
	103472	4	• WASHER, Flat (3/8") (Dual fuel engines)
18	142360	2	ROLLER, Engine plate w/bearing
19	133883	1	GUARD, Engine front lower (Diesel fuel engines)
20	-	-	HARDWARE, Engine guard
	103995	4	• WASHER, Flat (1/4")
	104000	6	• WASHER, Lock (1/4")
	103892	4	• BOLT, Hex head (1/4"-20 x 5/8", Grade 5)
21	122998	1	BRACKET, Carrier assembly mounting (male)
	122999	1	BRACKET, Carrier assembly mounting (female)
22	134345	1	ENERGY CHAIN ASSEMBLY (17 links)
23	134221	1	SOUND PROOFING ASSEMBLY (Diesel fuel engines)
	134218	1	• SOUNDPROOFING, Insulation (Rear)
	134219	1	• COVER, Plate engine side (Right)
	134220	1	• COVER, Plate engine side (Left)

### 5.4 Kubota Diesel Engine Assembly (D1305) (Continued)

Index No.	Skyjack Part No.	Qty.	Description
			<b>Parts list continued from the previous page.</b>
24	147142	1	RESERVOIR, Coolant
25	-	-	HARDWARE, Coolant reservoir
	103887	2	• BOLT, Hex head (5/16"-18 x 3/4", Grade 5)
	103996	2	• WASHER, Flat (5/16")
	100397	2	• NUT, Hex head (5/16"-18, Grade 5)
	103404	2	• WASHER, Lock (5/16")
26	(Ref.)	-	HYDRAULIC PUMP AND FITTING ASSEMBLY (For components, refer to Section 5.9)
27	(Ref.)	-	PANEL, Engine control (For components, refer to Section 5.2)
28	132887	1	ALTERNATOR COUPLER ASSEMBLY
29	132888	1	ALTERNATOR TERMINAL ASSEMBLY
30	134372	1	NUT, Coupling (M8 x 1.25 x 24mm)
31	127940	1	WASHER, Flat (ZP, M8)
32	116218	2	WASHER, Lock (M8)
33	133174	1	BOLT, Hex head cap screw (M8-1.25 x 20mm)
34	(Ref.)	1	HARNESS, Engine wiring (For components, refer to Section 5.6)
35	(Ref.)	-	SOLUTION, Engine coolant (antifreeze) (Refer to Table on Section 8.1)
36	(Ref.)	-	OIL, Engine (Refer to Table on Section 8.1)

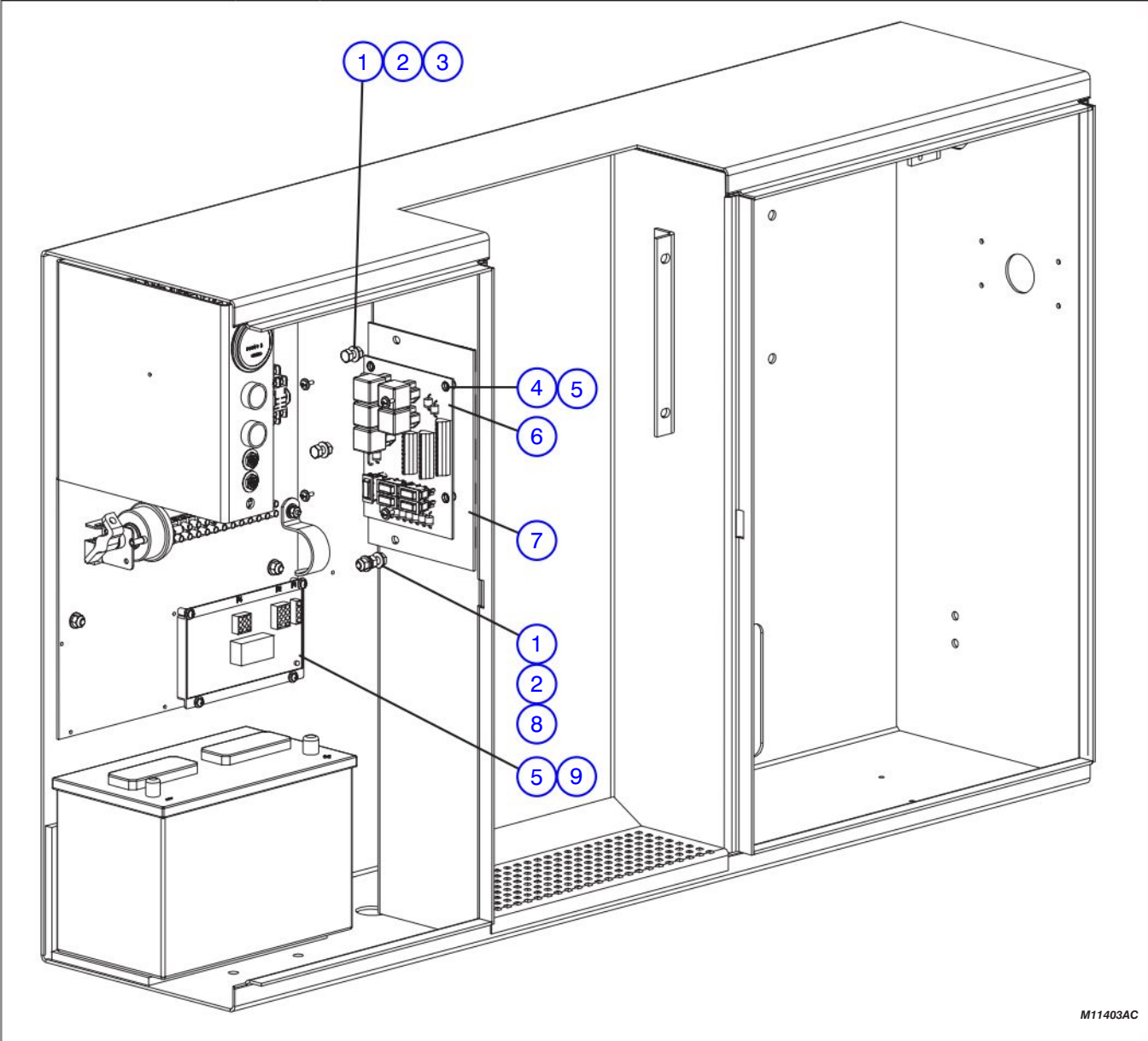
### 5.10 Engine Roll-Out Tray Assembly (GM Engine)

Index No.	Skyjack Part No.	Qty.	Description
1	108818	4	BOLT, Hex head (1/2"-13 x 2.75", Grade 5)
2	103470	4	WASHER, Lock (1/2", Grade 5)
3	128352	4	WASHER, Flat (1/2")
4	147634	4	MOUNT, Engine vibration control
5	101520	2	WASHER, Flat nylon (1.28 ID x 2 OD x 0.12)
6	(Ref.)	-	BRACKET, E-chain (For components, refer to Section 5.1)
7	103872	1	BOLT, Hex head (3/8"-16 x 2.25", Grade 5)
8	103472	6	WASHER, Flat (3/8")
9	143617	1	WELDMENT, Exhaust hanger
10	142243	1	BRACKET
11	300437	2	BOLT, Hex head (3/8"-16 x 7/8", Grade 5)
12	112601	2	NUT, Hex flange lock (3/8"-16)
13	103999	1	WASHER, Lock (3/8")
14	103978	1	NUT, Hex head (3/8"-16, Grade 5)
15	(Ref.)	-	ENGINE ROLL-OUT TRAY ASSEMBLY (For components, refer to Section 5.1)

### 5.13 Engine Interface Harness (GM Engine)

Index No.	Skyjack Part No.	Qty.	Description
-	142399	-	HARNES, Engine interface
1	117586	1	• CONNECTOR, Receptacle (12 pin)
2	117588	1	• CONNECTOR, Receptacle wedge (12 pin)
3	117590	AR	• CONNECTOR, Contact pin (16-18)
4	117592	2	• CONNECTOR, Contact pin (14-16)
5	117594	4	• CONNECTOR, Sealing plug
6	142361	1	• HOUSING, Female (150 GT sealed, 16 way)
7	142365	AR	• SEAL, Wire (150 GT series)
8	142366	AR	• PLUG CAVITY (150 GT series)
9	142363	1	• HOUSING, Male (150 GT sealed, 16 way)
10	117597	1	• CONNECTOR, Plug (2 pin)
11	117599	1	• CONNECTOR, Plug wedge (2 pin)
12	117591	2	• CONNECTOR, Contact socket (16-18)

6.5 Outrigger Electrical Panel Assembly



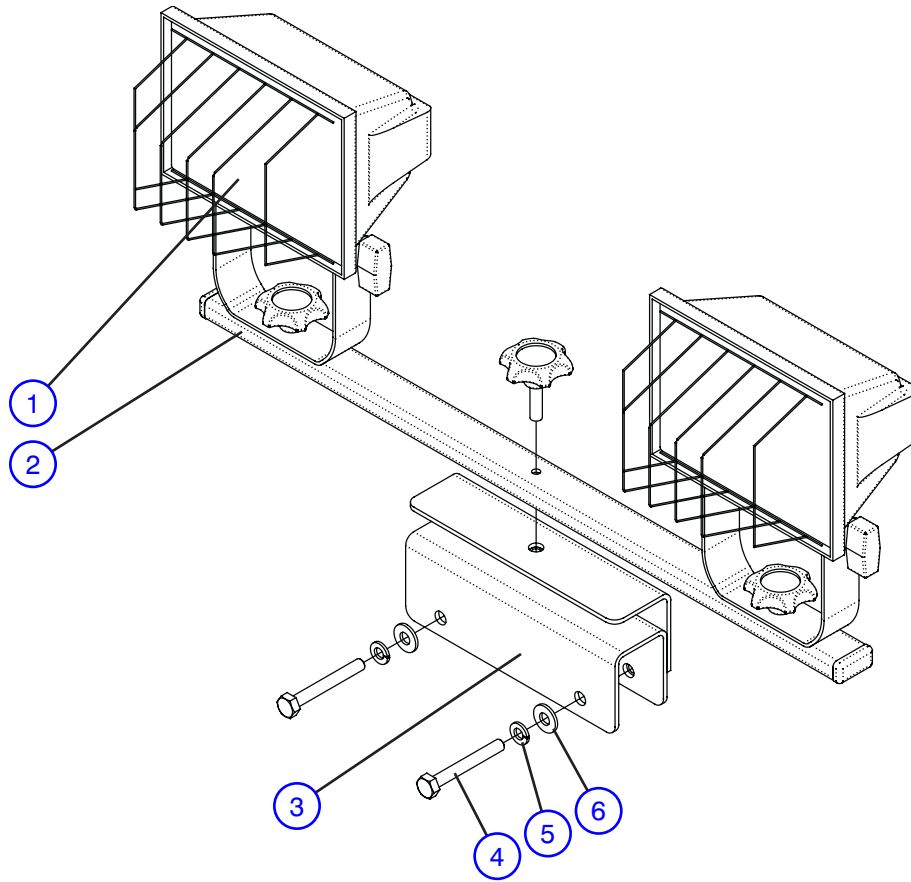
M11403AC

Index No.	Skyjack Part No.	Qty.	Description
1	103996	4	WASHER, Flat (5/16")
2	100397	4	NUT, Hex head (5/16"-18, Grade 5)
3	103404	2	WASHER, Lock (5/16")
4	104698	4	SCREW, Round head machine (#10-32 x 3/4")
5	104694	4	WASHER, Flat (#10)
6	152137	1	BOARD, Outrigger option (12V PC)
	127131	5	• RELAY, 12V (40 Amp)
	127132	5	• SWITCH (3 position)
7	134325	1	WELDMENT, Outrigger PCB mount
8	112532	2	BOLT, Hex head (5/16"-18 x 1.25, Grade 5)
9	132804	1	CONTROLLER, Outrigger auto-leveling
	104968	4	• SCREW, Round head machine (#10-32 x 3/4")
	104185	4	• WASHER, Lock (#10)

## 6.10 Hydraulic Generator and Oil Cooler Assembly

Index No.	Skyjack Part No.	Qty.	Description
<b>A</b>	106216	1	GENERATOR, 3500W Hydraulic <b>(ANSI/CSA)</b>
<b>B</b>	139853	1	GENERATOR, 12kW Hydraulic <b>(ANSI/CSA)</b>
<b>1</b>	-	1	GENERATOR ASSEMBLY
	113875	1	• MOTOR, Hydraulic
	106673	1	• COUPLING, Pump (1/2")
	103026	1	• SPIDER, Coupling
	113876	1	• COUPLING, Generator (14mm)
	113877	1	• FLOW CONTROL (8 GPM), <b>A</b>
	103938	4	• BOLT, Socket head (3/8"-16 x 1.5", Grade 5)
	103999	4	• WASHER, Lock (3/8")
	103472	4	• WASHER, Flat (3/8")
	103978	4	• NUT, Hex (3/8"-16)
	128374	1	• CABLE, Control <b>(Model 8831)</b>
	127874	1	• CABLE, Control <b>(Model 8841)</b>
<b>2</b>	138122	1	OIL COOLER ASSEMBLY
	136687	1	• PLATE, Oil cooler cover
	114284	1	• OIL COOLER
	115384	1	• • FAN, Oil cooler
<b>3</b>	134238	2	BRACKET, Oil cooler mount
<b>4</b>	103978	8	NUT, Hex (3/8"-16, Grade 5)
<b>5</b>	103999	8	WASHER, Lock (3/8")
<b>6</b>	103472	12	WASHER, Flat (3/8" SAE)
<b>7</b>	101297	4	BOLT, Hex head (3/8"-16 x 1.5", Grade 5)
<b>8</b>	134193	1	HARNESS, Oil cooler fan
<b>9</b>	129306	1	HARNESS, Hydraulic generator solenoid

## 6.17 Work Light Assembly



M137979AB

Index No.	Skyjack Part No.	Qty.	Description
-	137979	-	WORK LIGHT ASSEMBLY (ANSI/CSA)
1	141732	1	• BULB, 150 Watt halogen (78 mm)
2	141701	1	• WORK LIGHT, Dual 250 Watt halogen
3	138050	1	• BRACKET, Work light
4	103861	2	• BOLT, Hex head (1/4"-20 x 2", Grade 5)
5	104000	2	• WASHER, Lock (1/4")
6	103995	2	• WASHER, Flat (1/4")

CLICK HERE TO **DOWNLOAD** THE COMPLETE MANUAL

- Thank you very much for reading the preview of the manual.
- You can download the complete manual from: [www.heydownloads.com](http://www.heydownloads.com) by clicking the link below



- Please note: If there is no response to CLICKING the link, please download this PDF first and then click on it.

CLICK HERE TO **DOWNLOAD** THE COMPLETE MANUAL