



SCC500D Hydraulic Crawler Crane Parts Manual

SCC500D-P&B



Shanghai Sany Science&Technology Co.,Ltd.

JAN. 2007

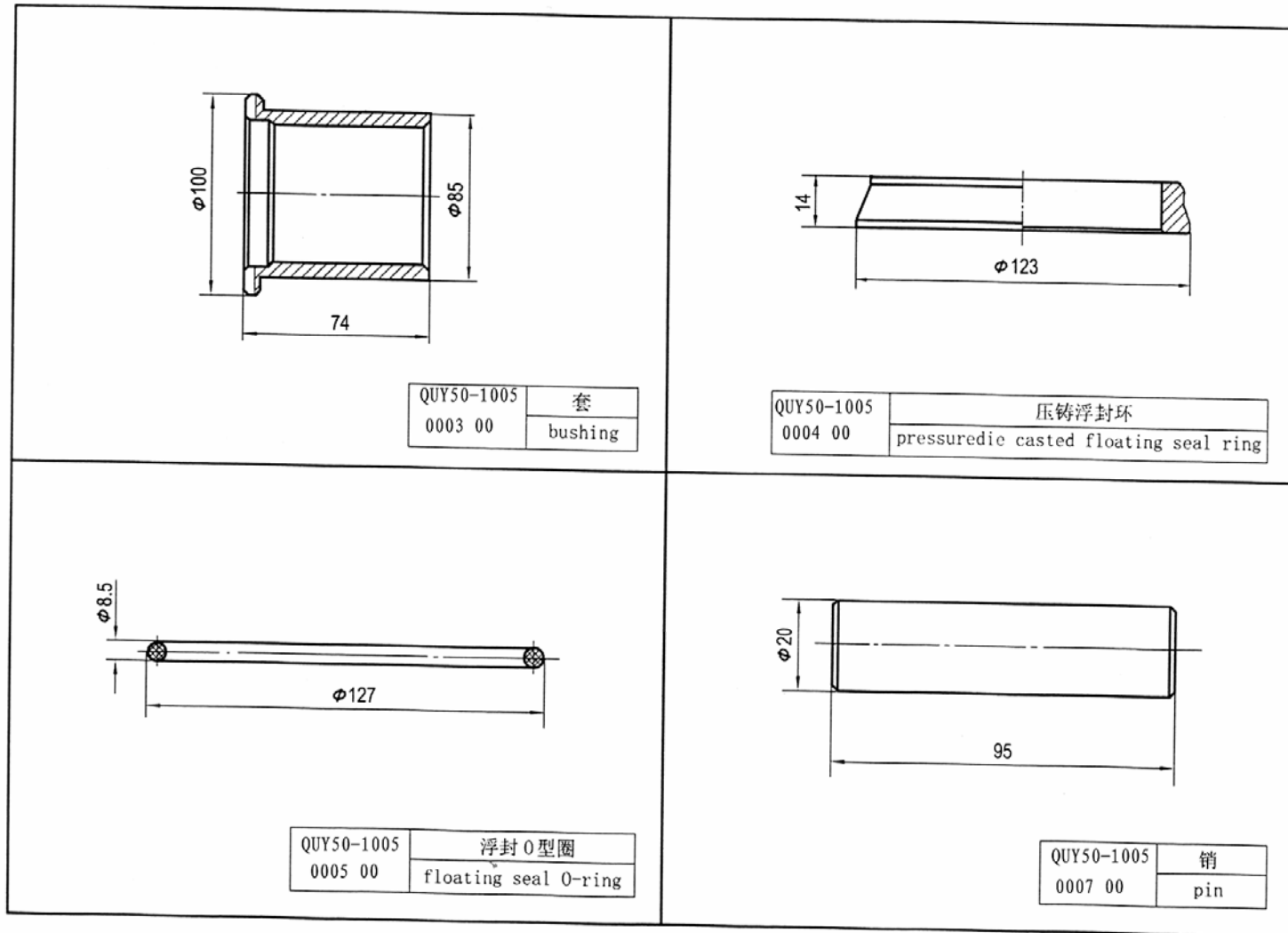
CLICK HERE TO **DOWNLOAD** THE COMPLETE MANUAL

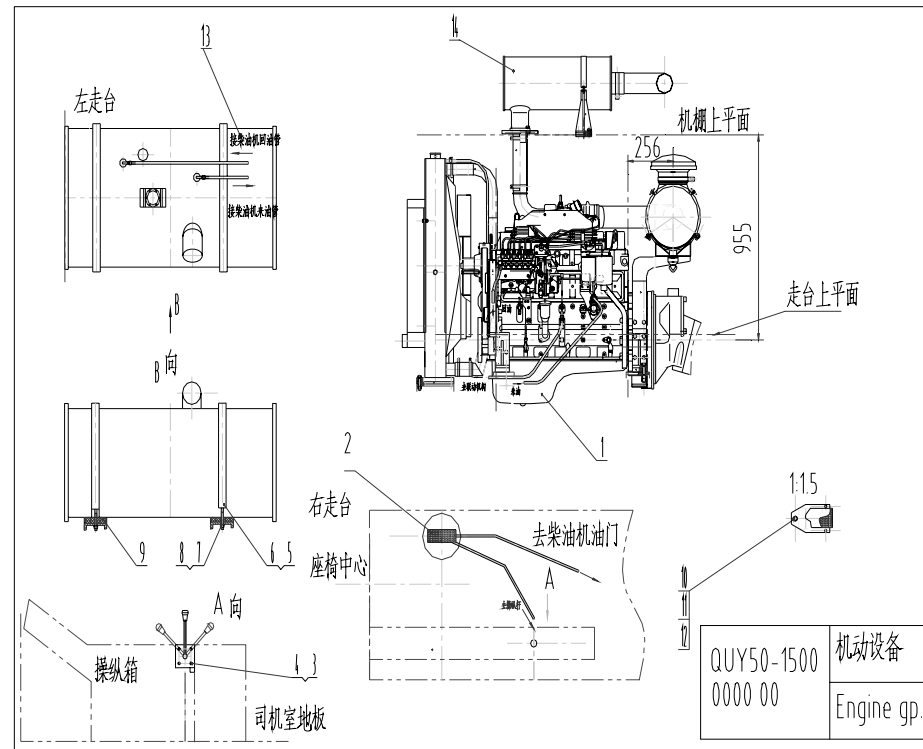
- Thank you very much for reading the preview of the manual.
- You can download the complete manual from: www.heydownloads.com by clicking the link below



- Please note: If there is no response to CLICKING the link, please download this PDF first and then click on it.

CLICK HERE TO **DOWNLOAD** THE COMPLETE MANUAL



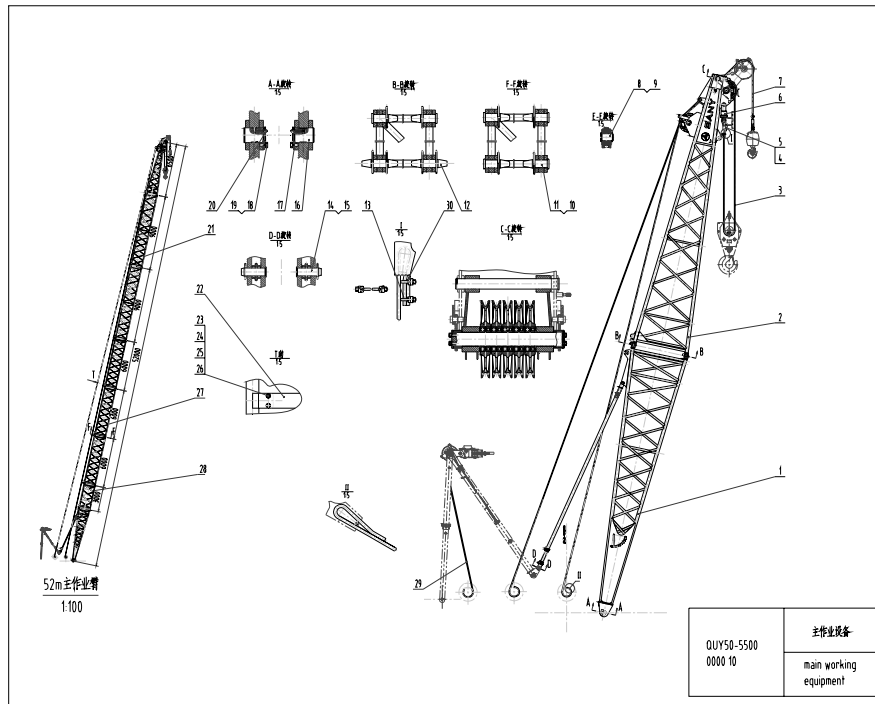




24	胶管 4SP25-DKOS-2350(带钢丝护套)	Hose As.	4	58	转换阀 ZHF-1	Control Valve	1
25	管接头 6C9-22LN	Fitting	2	59	管接头 1DH-42	Fitting	3
26	板 QUY55-3400 0025 10	Plate	2	60	胶管 4SP25-DKOS-DKOS90-820	Hose As.	1
27	管接头 6D9-42LN	Fitting	4	61	管接头 1DH9-42OG	Fitting	1
28	管夹 THPG1-222	Clamp	8	62	胶管 4SP25-DKOS-DKOS90-560	Hose As.	1
29	管夹 THPG1-338	Clamp	8	63	管接头 1D9-30	Fitting	1
30	胶管 4SP25-DKOS-SFS45-750	Hose As.	4	64	焊管 QUY55-3414 0000 10	Welding Pipe	1
31	胶管 1SN12-DKOL-DKOL90-1300	Hose As.	2	65	焊管 QUY55-3415 0000 10	Welding Pipe	1
32	管接头 1CM-22-18WD	Fitting	2	66	焊管 QUY55-3416 0000 10	Welding Pipe	1
33	胶管 2SN6-DKOL-DKOL90-550	Hose As.	2	67	扎带 400×4.8	Belt	10
34	管接头 1CH-14-12	Fitting	2				

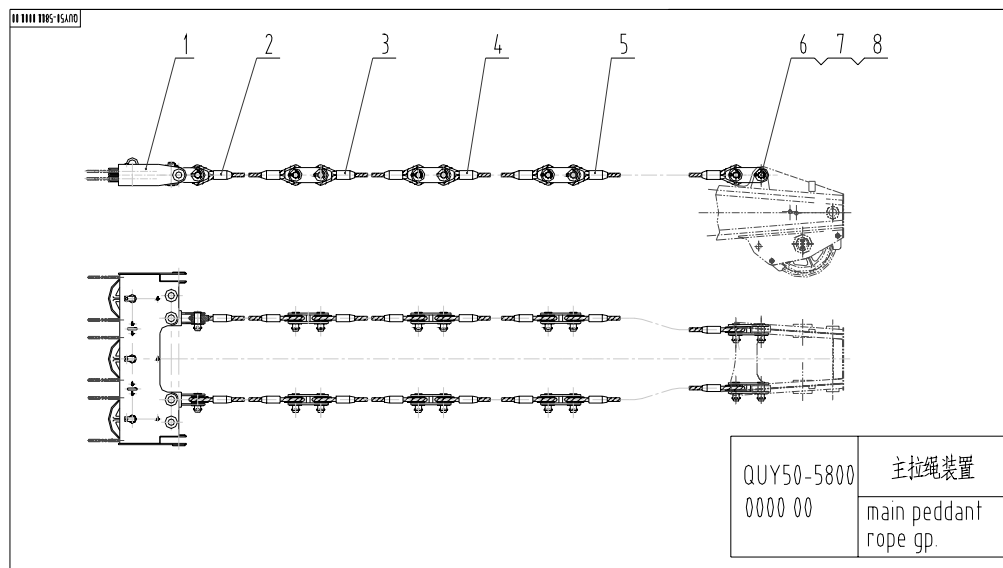
QUY50-3600 0000 13 伺服操纵系统 SERVO CONTROL SYSTEM

QUY50-5100 0000 10 A 型架
A-FRAME



序号	名称及图号	NAME	数量
1	下节臂 QUY50-5501 0000 10	Basic boom section	1
2	上节臂 QUY50-5502 0000 10	Top boom section	1
3	主卷钢绳 20NAT6×29FI+IWR1870/171m	Main drum wire rope	1
4	楔 20GB/T5973	Wedge	2
5	楔套 20GB/T5973	Wedge sleeve	2
6	转动接头 QUY50-5503 0000 00	Rotary joint	1
7	副卷钢绳 20NAT6×29FI+IWR1870/120m	Aux.drums wire rope	1
8	销轴 ϕ 45QUY50-5500 0001 00	Pin shaft	3

序号	名称及图号	NAME	数量
9	销 8×71GB/T91	Pin	3
10	销轴 ϕ 50□QUY50-5500 0002 00	Pin shaft	26
11	锁销 ϕ 7QUY50-5500 0003 00	Rope clip	30
12	销轴 ϕ 50□QUY50-5500 0004 00	Pin shaft	2
13	绳夹 20KTGB/T5976	Splint pin	4
14	销轴ⅢQUY50-5500 0005 10	Pin shaft	2
15	销 8×80GB/T91	Pin	4
16	销轴 ϕ 90QUY50-5500 0006 00	Pin shaft	2
17	固定板 QUY50-5500 0007 00	Fixed plate	2
18	螺栓 M20×35GB/T5783	Bolt	4
19	垫圈 20GB/T93	Washer	4
20	油杯 M10×1JB/T7940.1	Oil cup	2
21	9m 增节臂 QUY50-5504 0000 10	Accessorial boom section	2
22	垫板 QUY50-5500 0008 00	Pad plate	8
23	螺钉 M12×50GB/T70.1	Bolt	32
24	垫圈 12GB/T93	Washer	32
25	垫圈 12GB/T97.1	Washer	32
26	螺母 M12GB/T6170	Nut	32
27	6m 增节臂 QUY50-5505 0000 10	Accessorial boom section	3
28	3m 增节臂 QUY50-5506 0000 10	Accessorial boom section	1
29	变幅钢绳 16NAT6×29FI+IWR1870/142m	Hoist wire rope	1
30	固定钢绳 20NAT6×29FI+IWR1870/0.25m	Fixed wire rope	2



序号	名称及图号	NAME	数量
1	变幅滑轮组 QUY50-5801 0000 00	Derricking pulley group	1
2	拉绳 I QUY50-5802 0000 00	Pendant rope I	2
3	拉绳 II QUY50-5803 0000 00	Pendant rope II	6
4	拉绳 III QUY50-5804 0000 00	Pendant rope III	4
5	拉绳 IV QUY50-5805 0000 00	Pendant rope IV	2
6	销轴 QUY50-5800 0001 00	Pin shaft	14
7	垫圈 50GB97.3-00	Washer	14
8	销 10×100 GB91-00	Pin	14

CLICK HERE TO **DOWNLOAD** THE COMPLETE MANUAL

- Thank you very much for reading the preview of the manual.
- You can download the complete manual from: www.heydownloads.com by clicking the link below



- Please note: If there is no response to CLICKING the link, please download this PDF first and then click on it.

CLICK HERE TO **DOWNLOAD** THE COMPLETE MANUAL