



SAMPO ROSENLEW

COMIA



COMIA

**Varaosaluettelo
Reservdelskatalog
Parts Book
Ersatzteil-Liste
Catalogue Pièces de Rechange**

**Sampo - Rosenlew Oy
PL 50
28101 PORI**

**0815153 06/2015
Alkaen numerosta 561551
Starting from number 561551**

CLICK HERE TO **DOWNLOAD** THE COMPLETE MANUAL

- Thank you very much for reading the preview of the manual.
- You can download the complete manual from: www.heydownloads.com by clicking the link below



- Please note: If there is no response to CLICKING the link, please download this PDF first and then click on it.

CLICK HERE TO **DOWNLOAD** THE COMPLETE MANUAL

INHALTSVERZEICHNIS

| | |
|----|-----------------------------|
| 11 | Schneidwerk und Förderkanal |
| 12 | Dreschvorrichtungen |
| 13 | Körnerfördergeräte |
| 14 | Kontrollgeräte |
| 15 | Motor |
| 17 | Fahrkrafttransport |
| 18 | Hydraulik |
| 19 | Schütze |
| 20 | Elektrische Geräte |
| 21 | Riemen |
| 22 | Aufkleber |
| 24 | Verlustmonitor |
| 25 | Transportwagen |

Rubrik abkürzungen

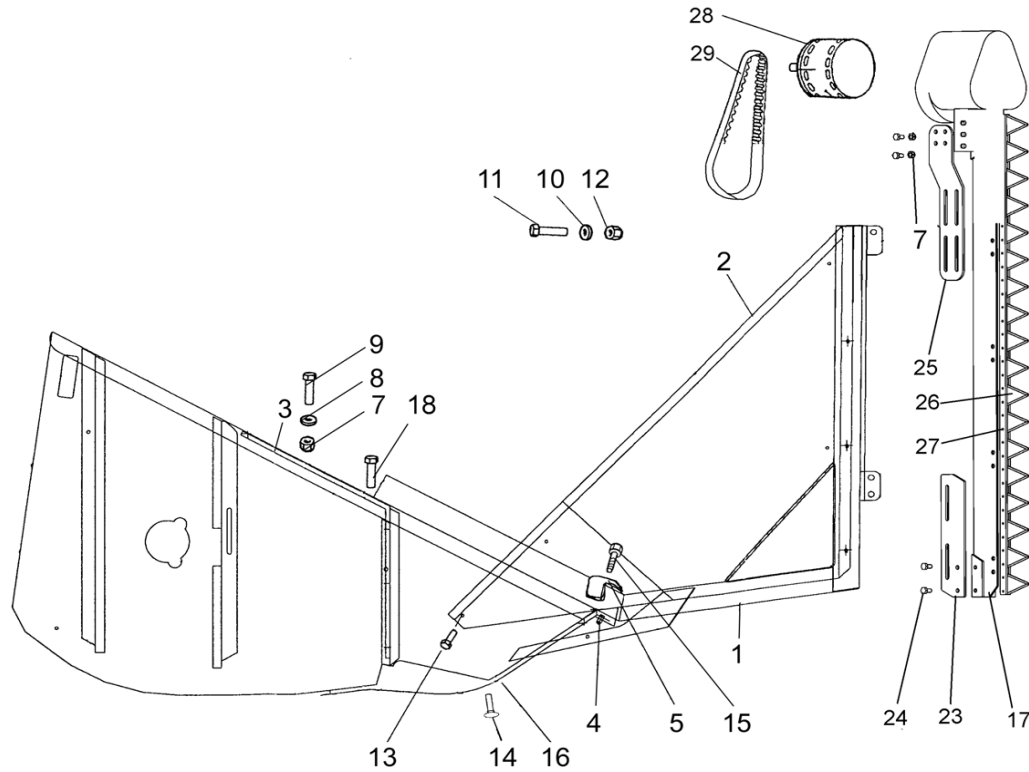
| | |
|-----|---|
| 4/2 | 4 Schüttlern, 2 Stufen |
| 4/4 | 4 Schüttlern, 4 Stufen |
| 5/2 | 5 Schüttlern, 2 Stufen |
| 5/4 | 5 Schüttlern, 4 Stufen |
| AP | Schüttler mit öffnenbare boden |
| HD | Heavy Duty ex.Maiz |
| HK | Riemenantrieb, Überkehr - und Körnerelevator |
| HS | High speed-Hochgeschwindigkeit Häcksler |
| KK | Messerantrieb mit Velle |
| KV | Vinkelgetriebe-Überkehr u. Ausfüllungsschraube |
| MD | Medium Duty-normales antrieb, vor Körner |
| MP | Plastikfingern |
| TP | Stahlfingern |
| TS | C8 Vordertrommel Mähdrescher |
| UP | Schüttler mit fest boden |
| WB | Wobble box Messerantrieb im Ölbad |
| AWI | 3b motor = Abgasaufbereitung mithilfe der SCR-Technologie |

Pystyterä oikea
Vertikal kniv höger

Vertical knife RH
Rapsmesser Rechts

11BM

Lame verticale droite



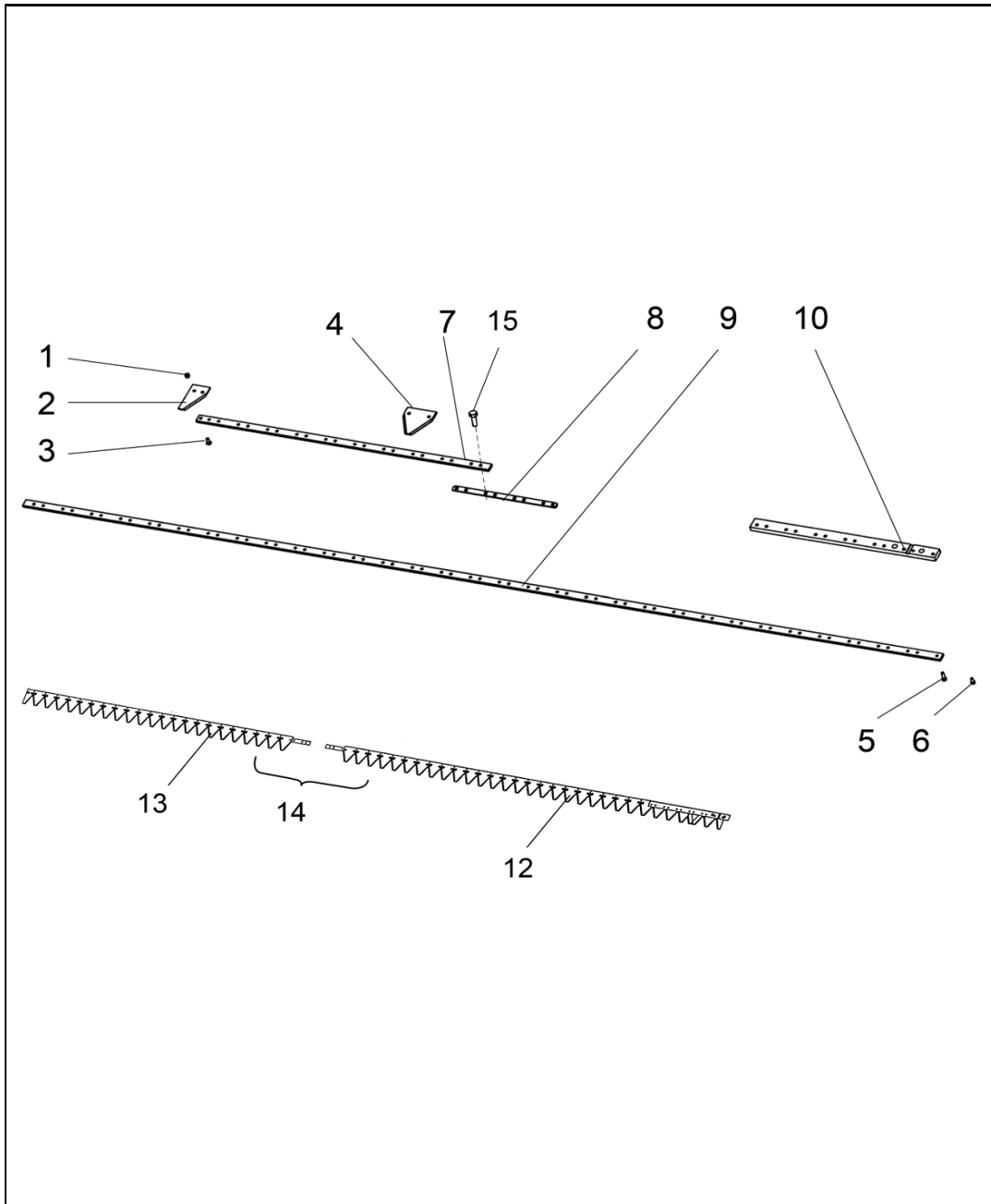
| | | | | | | | |
|----|---------|-------|---------------|------------------|----------------------|--------------------|-----------------------|
| 1 | R703185 | 1 | Kiinnitin | Fäste | Holder | Halter | Etrier |
| 2 | R693516 | 1 | Ohjainlevy | Styrplåt | Guide plate | Führungsblech | Plaque-guide |
| 3 | R693522 | 1 | Tukilevy | Stödplåt | Support plate | Stützscheibe | Rondelle |
| 4 | R693507 | 1 | Lukitsin | Regel | Clamp | Riegel | Verrou |
| 5 | R693508 | 1 | Lukitsin | Regel | Clamp | Riegel | Verrou |
| 7 | 6594148 | 17 | Lukkomutten | Låsmutter | Lock nut | Sich. Mutter | Ecrou de serrage |
| 8 | 7400033 | 12 | Aluslaatta | Bricka | Washer | Scheibe | Rondelle |
| 9 | 6226567 | 3 | Ruuvi | Skruv | Screw | Schraube | Vis |
| 10 | 6212877 | 4 | Ruuvi | Skruv | Screw | Schraube | Vis |
| 11 | 7400030 | 9 | Aluslaatta | Bricka | Washer | Scheibe | Rondelle |
| 12 | 6593838 | 5 | Lukkomutten | Låsmutter | Lock nut | Sich. Mutter | Ecrou de serrage |
| 13 | 6210667 | 1 | Ruuvi | Skruv | Screw | Schraube | Vis |
| 14 | 6763544 | 5 | Lukkuruuvi | Låsskruv | Lock screw | Sich.Schraube | Vis de serrage |
| 15 | 6228977 | 2 | Ruuvi | Skruv | Screw | Schraube | Vis |
| 16 | R693518 | 1 | Tukilevy | Stödplåt | Support plate | Stützscheibe | Rondelle |
| 17 | 0493091 | Mörtl | 1 | Pystyterä, oikea | Vertikal kniv, höger | Vertical knife, RH | Vertikal Messer, rech |
| 18 | 6226967 | 7 | Ruuvi | Skruv | Screw | Schraube | Vis |
| 23 | R705236 | 1 | Kiinnityslevy | Fäste | Fastening | Halter | Etrier |
| 24 | 6226167 | 6 | Ruuvi | Skruv | Screw | Schraube | Vis |
| 25 | R705235 | 1 | Kiinnityslevy | Fäste | Fastening | Halter | Etrier |
| 26 | 0493093 | 36 | Terälappu | Knivblad | Knife plate | Messerklinge | Plaque |
| 27 | 0493094 | 72 | Niitti | Nit | Rivet | Niete | Rivet |
| 28 | 0493096 | 1 | Moottori | Motor | Motor | Motor | Moteur |
| 29 | 0493095 | 1 | Hihna | Rem | Belt | Riemen | Courroie |

Leikkuuterä, ruuvikiinnitteinen
Kniv

Knife
Messer

11CQ

Lame de coupe, fixation par vis



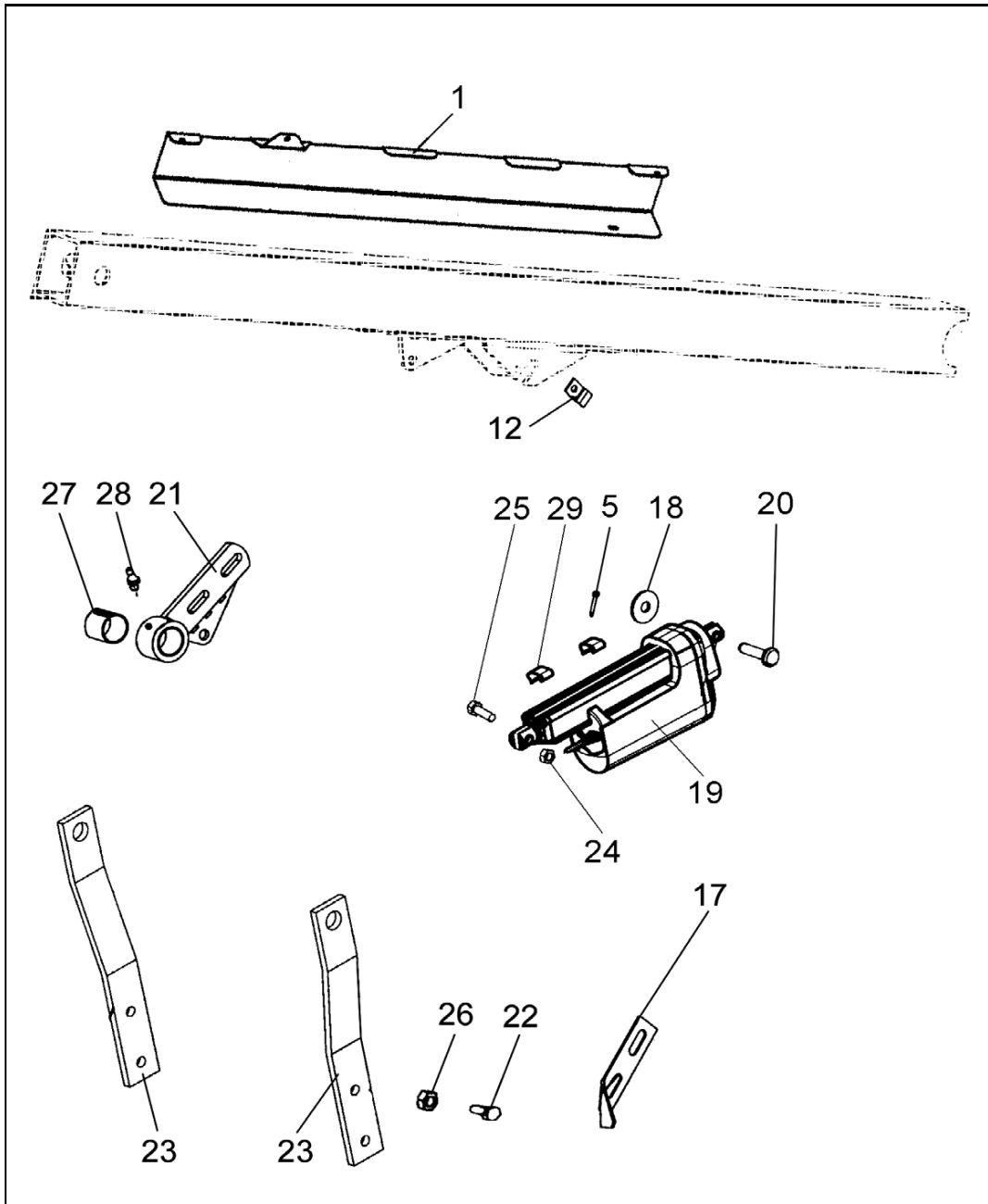
| | | | | | | | |
|----|---------|---------------|-------------------|-----------------|-----------------|----------------------|-----------------|
| 1 | 6593304 | | Mutteri | Mutter | Nut | Mutter | Ecrou |
| 2 | 0498830 | | 1 Terälappu, oik. | Knivblad, höger | Knife plate, RH | Messerklinge, rechts | Plaque, droite |
| 3 | 6290000 | | Teräruuvi | Knivskruv | Knife screw | Messerschraube | Vis |
| 4 | 0498826 | | Terälappu | Knivblad | Knife plate | Messerklinge | Plaque |
| 5 | 7001714 | | 11 Ruuvi | Skruv | Screw | Schraube | Vis |
| 6 | 7001594 | ▶▶ 3,9 - 5,1m | 2 Ruuvi | Skruv | Screw | Schraube | Vis |
| 7 | R706794 | ▶▶ 3,1 m | 1 Teränruoto, oik | Knivstång hö. | Knife back, RH | Messerrücken, re | Support, droite |
| 7 | R706795 | ▶▶ 3,4 m | 1 Teränruoto, oik | Knivstång hö. | Knife back, RH | Messerrücken, re | Support, droite |
| 7 | R706796 | ▶▶ 3,9 m | 1 Teränruoto, oik | Knivstång hö. | Knife back, RH | Messerrücken, re | Support, droite |
| 7 | R706797 | ▶▶ 4,2 m | 1 Teränruoto, oik | Knivstång hö. | Knife back, RH | Messerrücken, re | Support, droite |
| 7 | R706801 | ▶▶ 4,5 m | 1 Teränruoto, oik | Knivstång hö. | Knife back, RH | Messerrücken, re | Support, droite |
| 7 | R706798 | ▶▶ 4,8 m | 1 Teränruoto, oik | Knivstång hö. | Knife back, RH | Messerrücken, re | Support, droite |
| 7 | R706802 | ▶▶ 5,1 m | 1 Teränruoto, oik | Knivstång hö. | Knife back, RH | Messerrücken, re | Support, droite |
| 8 | R701629 | | 1 Jatke | Förlängning | Extension | Verlängerung | Rallonge |
| 9 | R706793 | ▶▶ 3,1 - 5,1m | 1 Teränruoto, vas | Knivstång, vä | Knife back, LH | Messerrücken, li | Support, gauche |
| 10 | R706811 | | 1 Runkolevy | Hållare | Holder | Blech | Plaque |
| 12 | R706781 | | 1 Terä vasen | Kniv vänster | Knife LH | Messer links | Lame gauche |
| 13 | R706782 | 3,1 | 1 Terä oikea | Kniv höger | Knife RH | Messer rechts | Lame droit |
| 13 | R706783 | 3,4 | 1 Terä oikea | Kniv höger | Knife RH | Messer rechts | Lame droit |
| 13 | R706784 | 3,9 | 1 Terä oikea | Kniv höger | Knife RH | Messer rechts | Lame droit |
| 13 | R706785 | 4,2 | 1 Terä oikea | Kniv höger | Knife RH | Messer rechts | Lame droit |
| 13 | R706790 | 4,5 | 1 Terä oikea | Kniv höger | Knife RH | Messer rechts | Lame droit |
| 13 | R706787 | 4,8 | 1 Terä oikea | Kniv höger | Knife RH | Messer rechts | Lame droit |
| 13 | R706791 | 5,1 | 1 Terä oikea | Kniv höger | Knife RH | Messer rechts | Lame droit |
| 14 | R706771 | 3,1 | 1 Terä kp. | Kniv kompl. | Knife assembly | Messer mont. | Lame assemb. |
| 14 | R706772 | 3,4 | 1 Terä kp. | Kniv kompl. | Knife assembly | Messer mont. | Lame assemb. |
| 14 | R706773 | 3,9 | 1 Terä kp. | Kniv kompl. | Knife assembly | Messer mont. | Lame assemb. |
| 14 | R706774 | 4,2 | 1 Terä kp. | Kniv kompl. | Knife assembly | Messer mont. | Lame assemb. |
| 14 | R706775 | 4,5 | 1 Terä kp. | Kniv kompl. | Knife assembly | Messer mont. | Lame assemb. |
| 14 | R706776 | 4,8 | 1 Terä kp. | Kniv kompl. | Knife assembly | Messer mont. | Lame assemb. |
| 14 | R706777 | 5,1 | 1 Terä kp. | Kniv kompl. | Knife assembly | Messer mont. | Lame assemb. |
| 15 | 6210667 | | 8 Ruuvi | Skruv | Screw | Schraube | Vis |

Oikea aisa sähköinen
Bärarm höger elektr. regl.

Right reel bar, elektr. adj.
Hasseltragarme, rechts, elektr.

11GD

Bras de rabatteur droit électrique



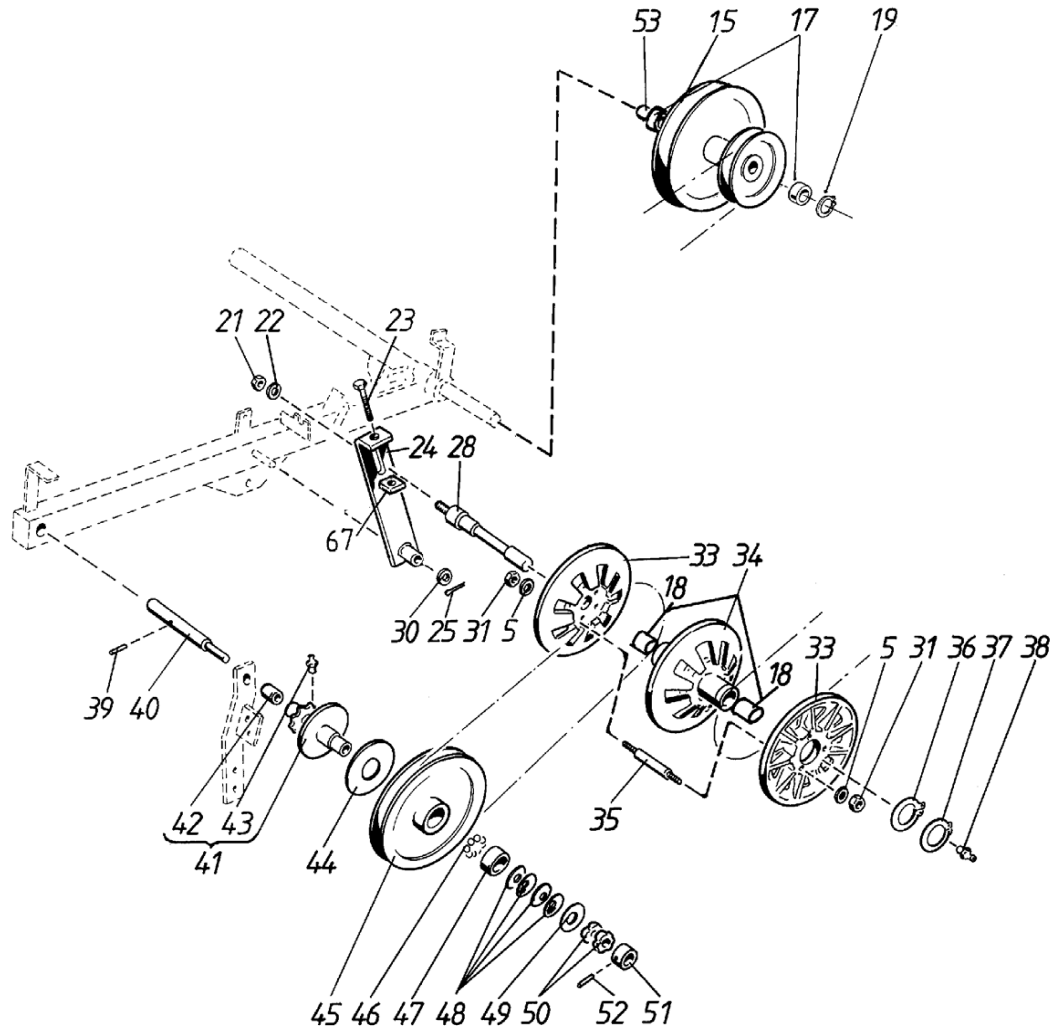
| | | | | | | | |
|----|---------|---|---------------|-------------|-----------|--------------|------------------|
| 1 | R703092 | 1 | Kotelo | Hus | Housing | Gehäuse | Carter |
| 5 | 7812116 | 1 | Saksisokka | Saxpinne | Split pin | Splint | Goupille fendue |
| 12 | R588383 | 1 | Lukitsin | Regel | Latch | Riegel | Loquet |
| 17 | R633103 | 1 | Kietomissuoja | Skydd | Guard | Schutz | Protecteur |
| 18 | 7414059 | 2 | Aluslaatta | Bricka | Washer | Scheibe | Rondelle |
| 19 | 8031939 | 1 | Moottori | Motor | Motor | Motor | Moteur |
| 20 | R702168 | 1 | Tappi | Tapp | Pin | Zapfen | Coupille |
| 21 | R695330 | 1 | Laakeri | Lager | Bearing | Lager | Roulement |
| 22 | 6226967 | 2 | Ruuvi | Skruv | Screw | Schraube | Vis |
| 23 | R621417 | 2 | Vipu | Spak | Lever | Hebel | Levier |
| 24 | 6594238 | 1 | Lukkomutteri | Låsmutter | Lock nut | Sich. Mutter | Ecrou de serrage |
| 25 | 6231780 | 1 | Ruuvi | Skruv | Screw | Schraube | Vis |
| 26 | 6594148 | 2 | Lukkomutteri | Låsmutter | Lock nut | Sich. Mutter | Ecrou de serrage |
| 27 | 0553054 | 1 | Holkki | Bussning | Bush | Büchse | Bague |
| 28 | 0252420 | 1 | Nippa | Smörjnippel | Nipple | Nippel | Graisneur |
| 29 | 0415264 | 2 | Jousi | Fjäder | Spring | Feder | Ressort |

Laannostokelan muutin
Haspelvariator

Reel variator
Haspelvariator

11LT

Variateur du rabatteur



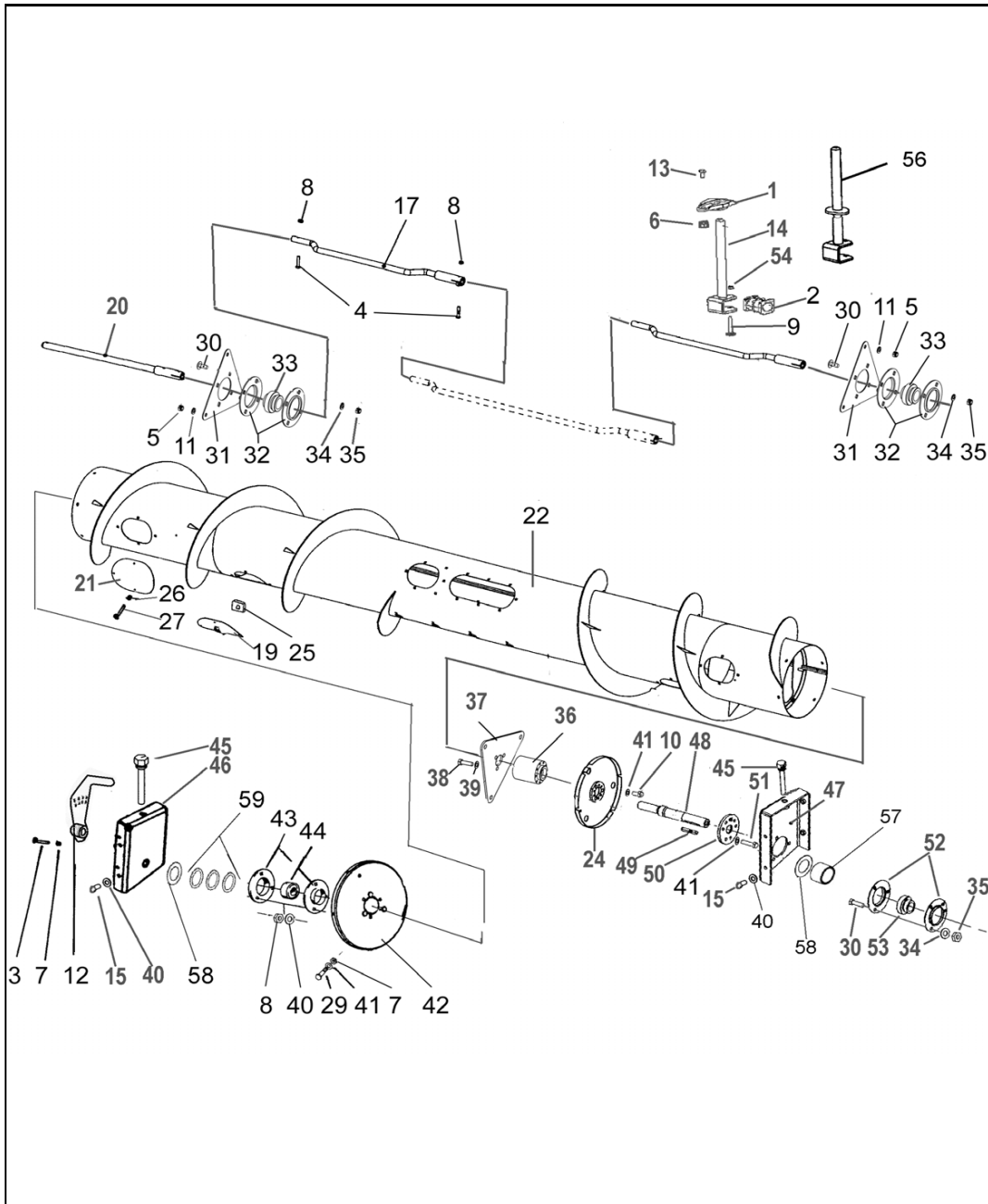
| | | | | | | | |
|----|---------|-----|-----------------|----------------|---------------|----------------|---------------------|
| 5 | 7414469 | 8 | Jousilaatta | Fjäderbricka | Spring washer | Federscheibe | Rondelle élastique |
| 15 | R688810 | 1 | Hihnapyörä | Remskiva | Pulley | Riemenscheibe | Poulie |
| 17 | 0502364 | 2 | Laakeri | Lager | Bearing | Lager | Roulement |
| 18 | 0552094 | 2 | Holkki | Bussning | Bush | Büchse | Bague |
| 19 | 7815017 | 1 | Varmistinrenkas | Låsring | Circlip | Sicherungsring | Circlip |
| 21 | 6507034 | 1 | Mutteri | Mutter | Nut | Mutter | Ecrou |
| 22 | 7400036 | 1 | Aluslaatta | Bricka | Washer | Scheibe | Rondelle |
| 23 | 6224687 | 1 | Ruuvi | Skruv | Screw | Schraube | Vis |
| 24 | R676577 | 1 | Varsi | Arm | Arm | Arm | Bras |
| 25 | 7812160 | 1 | Saksisokka | Saxpinne | Split pin | Splint | Goupille fendue |
| 28 | R688893 | 1 | Akseli | Axel | Shaft | Welle | Arbre |
| 30 | 7400038 | 1 | Aluslaatta | Bricka | Washer | Scheibe | Rondelle |
| 31 | 6506234 | 6 | Mutteri | Mutter | Nut | Mutter | Ecrou |
| 33 | R634936 | 2 | Muutinpyörä | Variatorhjul | Pulley, var. | Scheiben, var. | Poulie, var. |
| 34 | R688894 | 1 | Muutinpyörä | Variatorhjul | Pulley, var. | Scheiben, var. | Poulie, var. |
| 35 | R643237 | 3 | Tappi | Tapp | Pin | Zapfen | Goupille |
| 36 | 7815725 | 1 | Varm.rengas | Låsring | Circlip | Sicherungsring | Circlip |
| 37 | 7815022 | 1 | Varm.rengas | Låsring | Circlip | Sicherungsring | Circlip |
| 38 | 0252420 | 1 | Nippa | Smörjnippel | Nipple | Nippel | Graisser |
| 39 | 7814201 | 1 | Jousisokka | Fjädersprint | Spring pin | Spannstift | Coupille |
| 40 | R615375 | 1 | Akseli | Axel | Shaft | Welle | Arbre |
| 41 | R615764 | 1 | Suojakytin | Skyddskoppling | Safety clutch | Sich.kupplung | Plaque de friction |
| 42 | 0553051 | 1 | Laakeriholkki | Bussning | Bush | Büchse | Bague |
| 43 | 0252405 | 1 | Voitelunippa | Smörjnippel | Nipple | Nippel | Graisser |
| 44 | 0609968 | 1 | Kitkalevy | Fiktionskiva | Plate | Reibungsplatte | Plaque d'usure |
| 45 | R613032 | 1 | Hihnapyörä | Remskiva | Pulley | Riemenscheibe | Poulie |
| 46 | 0567028 | 1.6 | Teräskuula | Stålkula | Bearing ball | Stahlkugel | Bille d'acier |
| 47 | R615376 | 1 | Laakerirengas | Ring | Ring | Ring | Anneau |
| 48 | 0410175 | 4 | Lautasjousi | Tallriksfjäder | Disk spring | Tellerfeder | Rondelle belleville |
| 49 | R615374 | 1 | Aluslaatta | Bricka | Washer | Scheibe | Rondelle |
| 50 | 0563006 | 2 | Vetomutteri | Dragmutter | Nut | Abziehmutter | Ecrou |
| 51 | R615373 | 1 | Renkas | Ring | Ring | Ring | Anneau |
| 52 | 7814145 | 1 | Jousisokka | Fjädersprint | Spring pin | Spannstift | Coupille |
| 53 | R066732 | 1 | Holkki | Bussning | Bush | Büchse | Bague |
| 67 | R596056 | 1 | Mutteri | Mutter | Nut | Mutter | Ecrou |

Syöttöruuvi 4,2m
Inmatningskruv 4,2m

Feeder auger 4,2m
Einzugschnecke

Vis d'alimentation 4,2m

11NJ

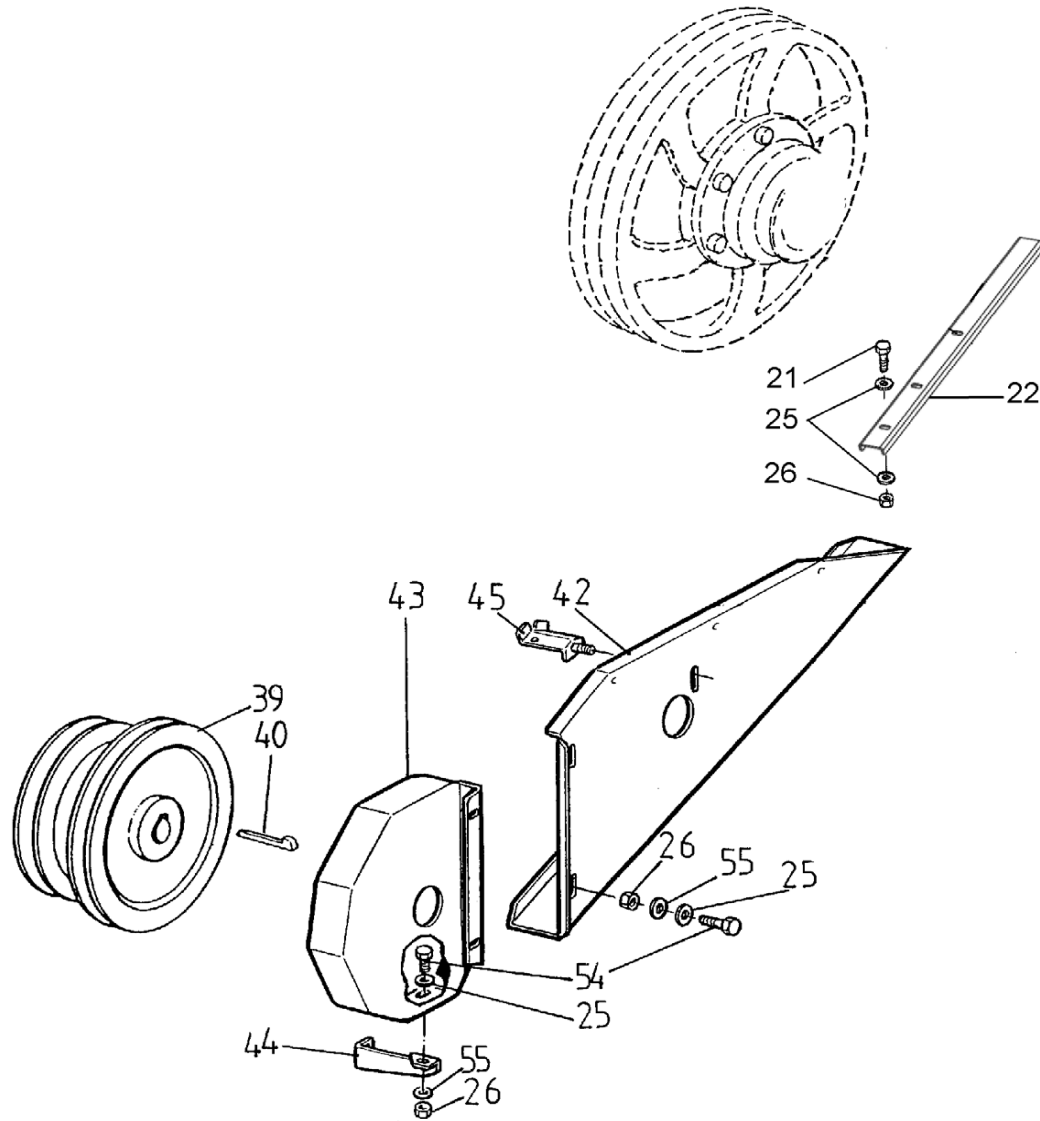


| | | | | | | | |
|----|---------|----|----------------|--------------------|-----------------|-----------------------|-----------------------|
| 1 | 0424382 | 20 | Laakeri | Lager | Bearing | Lager | Roulement |
| 2 | 0552091 | 20 | Laakeri | Lager | Bearing | Lager | Roulement |
| 3 | 6223067 | 1 | Ruuvi | Skruv | Screw | Schraube | Vis |
| 4 | 6227377 | 3 | Ruuvi | Skruv | Screw | Schraube | Vis |
| 5 | 6506631 | 15 | Mutteri | Mutter | Nut | Mutter | Ecrou |
| 6 | 6593838 | 2 | Lukkomutter | Låsmutter | Lock nut | Sich. Mutter | Ecrou de serrage |
| 7 | 6594038 | 1 | Lukkomutteri | Låsmutter | Lock nut | Sich. Mutter | Ecrou de serrage |
| 8 | 6594148 | 3 | Lukkomutteri | Låsmutter | Lock nut | Sich. Mutter | Ecrou de serrage |
| 9 | 6754744 | 2 | Ruuvi | Skruv | Screw | Schraube | Vis |
| 10 | 7002221 | 3 | Ruuvi | Skruv | Screw | Schraube | Vis |
| 11 | 7402034 | 15 | Aluslaatta | Bricka | Washer | Scheibe | Rondelle |
| 12 | R697675 | 1 | Vipu | Spak | Lever | Hebel | Levier |
| 13 | 6211067 | 4 | Ruuvi | Skruv | Screw | Schraube | Vis |
| 14 | R698288 | 20 | Sormi | Finger | Finger | Finger | Doigt |
| 15 | 6226367 | 8 | Ruuvi | Skruv | Screw | Schraube | Vis |
| 17 | R698457 | 2 | Kampiakseli | Vevaxel | Crankshaft | Kurbelwelle | Viljebrequin |
| 19 | R698496 | 2 | Luukka | Lucka | Door | Deckel | Couvercle |
| 20 | R698513 | 1 | Akseli | Axel | Shaft | Welle | Arbre |
| 21 | R698546 | 4 | Peitelevy | Täckplåt | Cover plate | Blech | Plaque |
| 22 | R698511 | 1 | Vaippa | Mantel | Housing | Gehäuse | Corps |
| 24 | R700122 | 1 | Laippa | Fläns | Flange | Flansch | Flasque |
| 25 | 6561414 | 0 | Korimutteri | Mutter | Nut | Mutter | Ecrou |
| 26 | 7414465 | 42 | Jousilaatta | Fjäderbricka | Spring washer | Federscheibe | Rondelle élastique |
| 27 | 6210667 | 42 | Ruuvi | Skruv | Screw | Schraube | Vis |
| 29 | 6220867 | 12 | Ruuvi | Skruv | Screw | Schraube | Vis |
| 30 | 6770244 | 16 | Lukkoruuvi | Låsskruv | Lock screw | Sich. Schraube | Vis de serrage |
| 31 | R698293 | 4 | Laippa | Fläns | Flange | Flansch | Flasque |
| 32 | 0569324 | 8 | Laippa | Fläns | Flange | Flansch | Flasque |
| 33 | 0511228 | 4 | Laakeri | Lager | Bearing | Lager | Roulement |
| 34 | 7400034 | 16 | Aluslaatta | Bricka | Washer | Scheibe | Rondelle |
| 35 | 6594238 | 16 | Lukkomutteri | Låsmutter | Lock nut | Sich. Mutter | Ecrou de serrage |
| 36 | R700121 | 1 | Napa | Nav | Hub | Nabe | Moyeu |
| 37 | R700120 | 1 | Päätylevy | Andplåt | End.plate | Endplatte | Plaque |
| 38 | 6231767 | 3 | Ruuvi | Skruv | Screw | Schraube | Vis |
| 39 | 7414473 | 3 | Jousilaatta | Fjäderbricka | Spring washer | Federscheibe | Rondelle élastique |
| 40 | 7400033 | 11 | Aluslaatta | Bricka | Washer | Scheibe | Rondelle |
| 41 | 7400032 | 20 | Aluslaatta | Bricka | Washer | Scheibe | Rondelle |
| 42 | R698295 | 1 | Laippa | Fläns | Flange | Flansch | Flasque |
| 43 | 0569322 | 2 | Laippa | Fläns | Flange | Flansch | Flasque |
| 44 | 0511223 | 1 | Laakeri | Lager | Bearing | Lager | Roulement |
| 45 | R697446 | 2 | Ruuvi | Skruv | Screw | Schraube | Vis |
| 46 | R697443 | 1 | Säätölevy oik. | Regl.plåt hö. | Adj.plate right | Verstell.blech r. | Plaque de réglage,dro |
| 47 | R697442 | 1 | Säätölevy vas. | Regl.plåt, vänster | Adj.plate, left | Verstell.blech, links | Plaque de réglage,ga |
| 48 | R700126 | 1 | Akseli | Axel | Shaft | Welle | Arbre |
| 49 | 7716128 | 1 | Tasakiilla | Plankil | Flat key | Flachkeil | Clavette plate |
| 50 | R700125 | 1 | Laippa | Fläns | Flange | Flansch | Flasque |
| 51 | 6221877 | 6 | Ruuvi | Skruv | Screw | Schraube | Vis |
| 52 | 0569322 | 2 | Laippa | Fläns | Flange | Flansch | Flasque |
| 53 | 0511057 | 1 | Laakeri | Lager | Bearing | Lager | Roulement |
| 54 | 6593738 | 2 | Mutteri | Mutter | Nut | Mutter | Ecrou |
| 56 | R706385 | 20 | Sormi | Finger | Finger | Finger | Doigt |
| 57 | R698498 | 1 | Holkki | Bussning | Bush | Büchse | Bague |
| 58 | R615221 | 1 | Aluslaatta | Bricka | Washer | Scheibe | Rondelle |
| 59 | 7400042 | 1 | Aluslaatta | Bricka | Washer | Scheibe | Rondelle |

TS-Pöydän MD-kytkimen suoja
Skärbordskoppling skydd TS MD

Cutting table clutch guard TS MD
Schneidetisch-Shalter Schutz TS MD

11RE
Protecteur de l'embrayage table de coupe TS MD



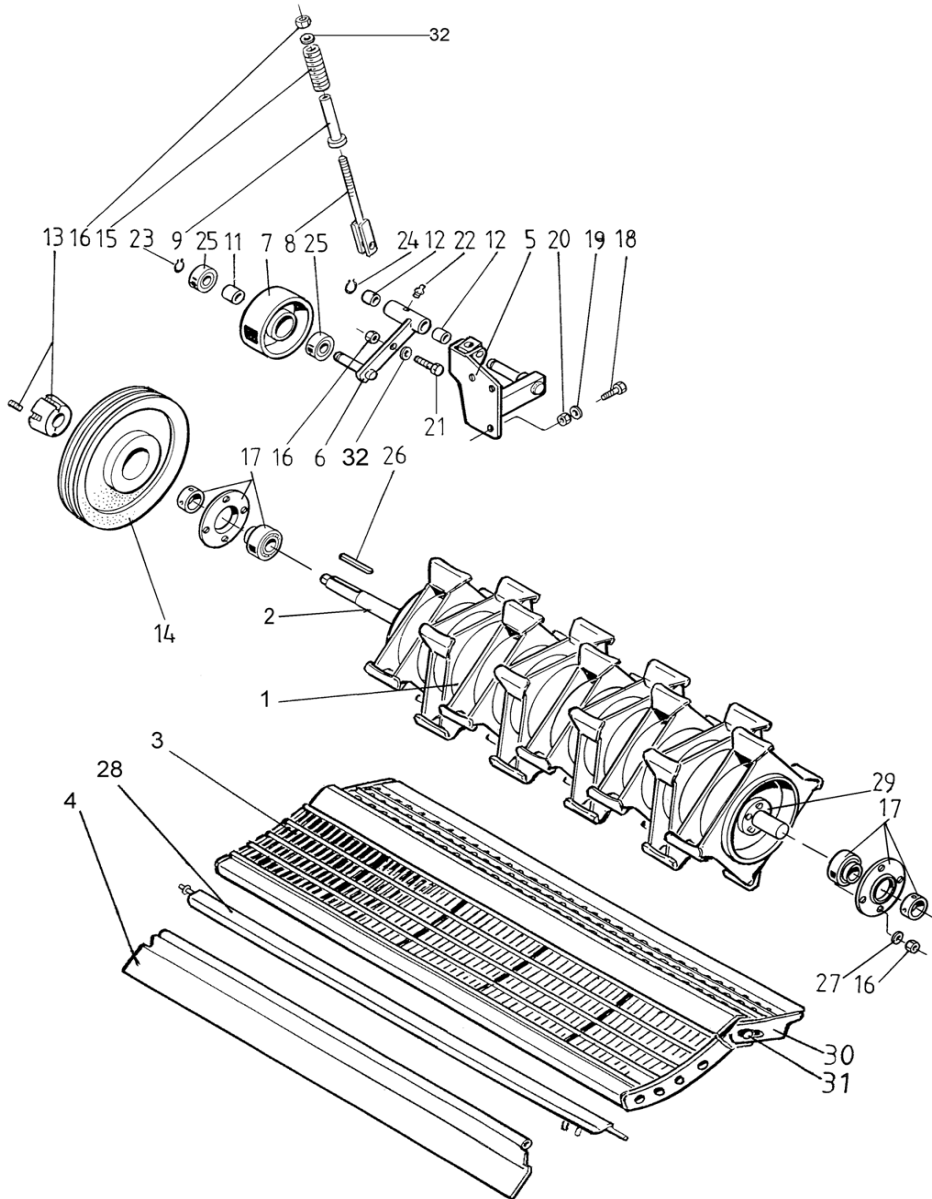
| | | | | | | | |
|----|---------|---|--------------|-----------|------------|---------------|------------------|
| 21 | 6758344 | 2 | Lukkoruuvi | Låsskruv | Lock screw | Sich.schraube | Vis de serrage |
| 22 | R712147 | 1 | Tuki | Stöd | Support | Stütze | Support |
| 25 | 7400032 | 8 | Aluslaatta | Bricka | Washer | Scheibe | Rondelle |
| 26 | 6594038 | 6 | Lukkomutteri | Låsmutter | Lock nut | Sich. Mutter | Ecrou de serrage |
| 39 | R685531 | 1 | Hihnapyörä | Remskiva | Pulley | Riemenscheibe | Poulie |
| 40 | 7712112 | 1 | Hökkäkiila | Håkkil | Gip key | Nasenkeil | Clavette à talon |
| 42 | R693415 | 1 | Hihnasuojia | Remskydd | Belt guard | Schutz | Protecteur |
| 43 | R693416 | 1 | Hihnasuojia | Remskydd | Belt guard | Schutz | Protecteur |
| 44 | R693417 | 1 | Tuki | Stöd | Support | Stütze | Support |
| 45 | R693418 | 1 | Tuki | Stöd | Support | Stütze | Support |
| 54 | 6220867 | 3 | Ruuvi | Skruv | Screw | Schraube | Vis |
| 55 | 7414057 | 3 | Aluslaatta | Bricka | Washer | Scheibe | Rondelle |

Etukela ja -varstasilta MD
För cylinder och -slagsko MD

Pre-cylinder and -concave MD
Vordreschtrommel und -dreschkorb MD

Pré-batteur et -contre batteur MD

12BA



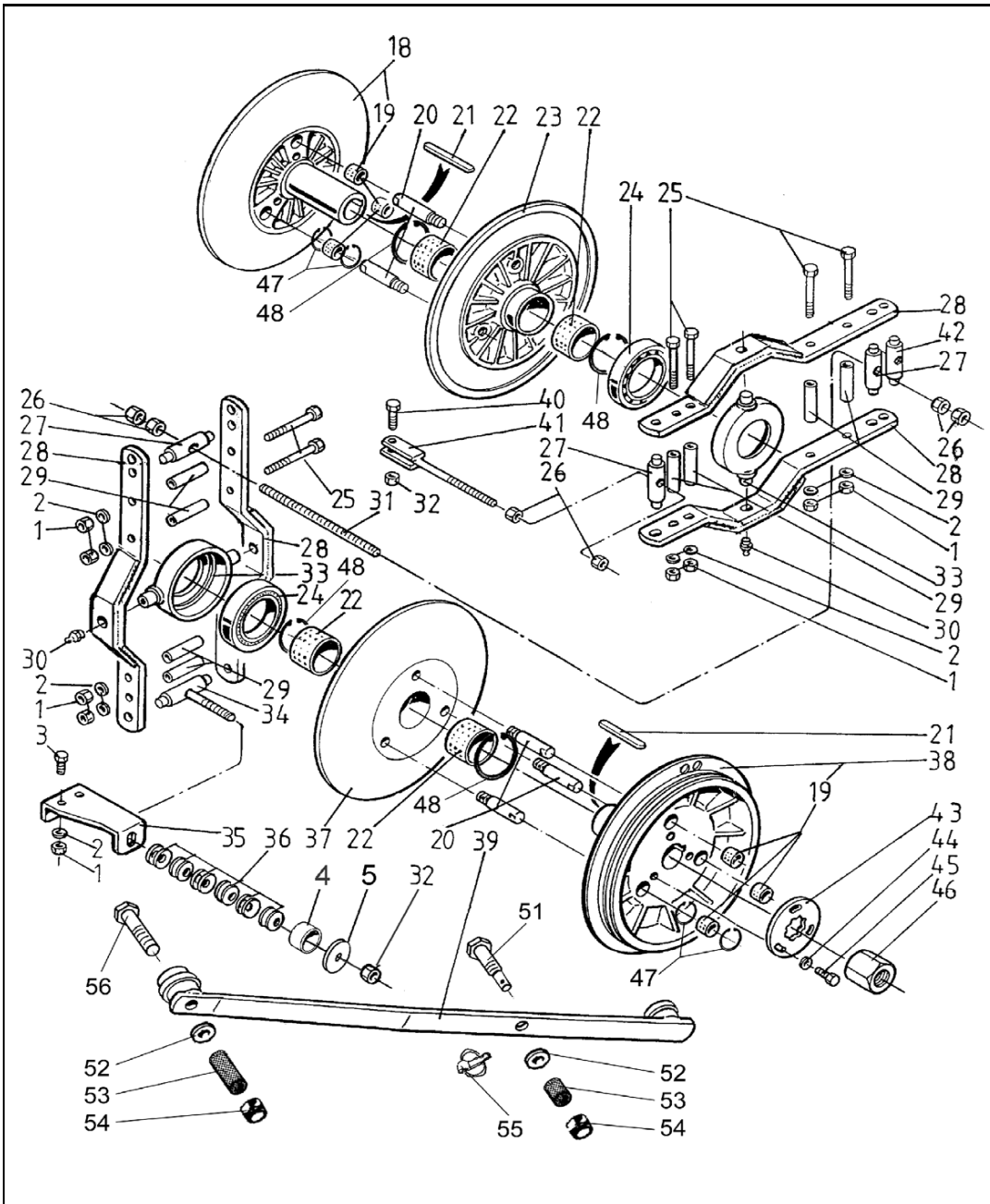
| | | | | | | | | |
|----|---------|------|----|---------------------|-----------------|-------------------|----------------|--------------------|
| 1 | R710053 | | 1 | Etukela | För cylinder | Pre-cylinder | Vortrommel | Pré-batteur |
| 2 | R710054 | | 1 | Akseli | Axel | Shaft | Welle | Arbre |
| 3 | R701397 | MD | 1 | Etuvastasilta | Förslagsko | Pre-concave | Vordreschkorb | Pré-contre batt. |
| 3 | R701398 | HD | 1 | Etuvastasilta | Förslagsko | Pre-concave | Vordreschkorb | Pré-contre batt. |
| 3 | R709956 | Rice | 1 | Etuvastasilta riisi | Förslagsko, ris | Pre-concave, rice | Vordreschkorb | Pré-contre batt. |
| 4 | R693564 | | 1 | Saranalevy | Ledplät | Hinge plate | Gelenkblec | Charnière, plaque |
| 5 | R693404 | | 1 | Teline | Stativ | Rack | Socket | Pied |
| 6 | R693410 | | 1 | Varsi | Spak | Lever | Hebel | Levier |
| 7 | R686770 | | 1 | Kiristyspyörä | Spännrulle | Wheel | Riemenspanner | Poulie |
| 8 | R663251 | | 1 | Tanko | Stång | Lever | Hebel | Levier |
| 9 | R663254 | | 1 | Kierreholkki | Bussning | Bush | Büchse | Bague |
| 11 | R686785 | | 1 | Holkki | Bussning | Bush | Büchse | Bague |
| 12 | 0552094 | | 2 | Holkki | Bussning | Bush | Büchse | Bague |
| 13 | 0660032 | | 2 | Lukitusnapa | Läsnava | locking hub | Mitte | Centre |
| 14 | 0660030 | | 1 | Hihnapyörä | Remskiva | Pulley | Riemenscheibe | Poulie |
| 15 | 0415225 | | 1 | Jousi | Fjäder | Spring | Feder | Ressort |
| 16 | 6594238 | | 10 | Lukkouteri | Läsmutter | Lock nut | Sich. Mutter | Ecrou de serrage |
| 17 | 0550003 | | 2 | Laakeri | Lager | Bearing | Lager | Roulement |
| 18 | 6226767 | | 3 | Ruuvi | Skruv | Screw | Schraube | Vis |
| 19 | 7400033 | | 3 | Aluslaatta | Bricka | Washer | Scheibe | Rondelle |
| 20 | 6594148 | | 3 | Lukkouteri | Läsmutter | Lock nut | Sich. Mutter | Ecrou de serrage |
| 21 | 6231977 | | 1 | Ruuvi | Skruv | Screw | Schraube | Vis |
| 22 | 0252475 | | 1 | Voitelunippa | Smörjnippel | Nipple | Nippel | Graisseur |
| 23 | 7815017 | | 1 | Varmistinrenkas | Läsring | Circlip | Sicherungsring | Circlip |
| 24 | 7815020 | | 1 | Varmistinrenkas | Läsring | Circlip | Sicherungsring | Circlip |
| 25 | 0502364 | | 2 | Laaken | Läger | Bearing | Lager | Roulement |
| 26 | 7717190 | | 1 | Tasakiila | Plankil | Flat key | Flachkeil | Clavette plate |
| 27 | 7402034 | | 8 | Aluslaatta | Bricka | Washer | Scheibe | Rondelle |
| 28 | R685840 | | 1 | Hankalista | Skolist | Slide list | Reibungsleiste | Moulure |
| 29 | 0660025 | | 2 | Lukitsin | Läsanordning | Lock devise | Sich.stütze | Dispos. de serrage |
| 30 | R698047 | | 1 | Jatke | Förlängning | Extension | Verlängerung | Rallonge |
| 31 | R693965 | | 1 | Akseli | Axel | Shaft | Welle | Arbre |
| 32 | 7400034 | | 3 | Aluslaatta | Bricka | Washer | Scheibe | Rondelle |

Kelamuutin 600-1300 C8
Cylindervariator 600-1300 C8

Cylinder variator 600-1300 C8
Dreschtrommelvariator 600-1300 C8

12EF

Variateur du batteur 600-1300 C8



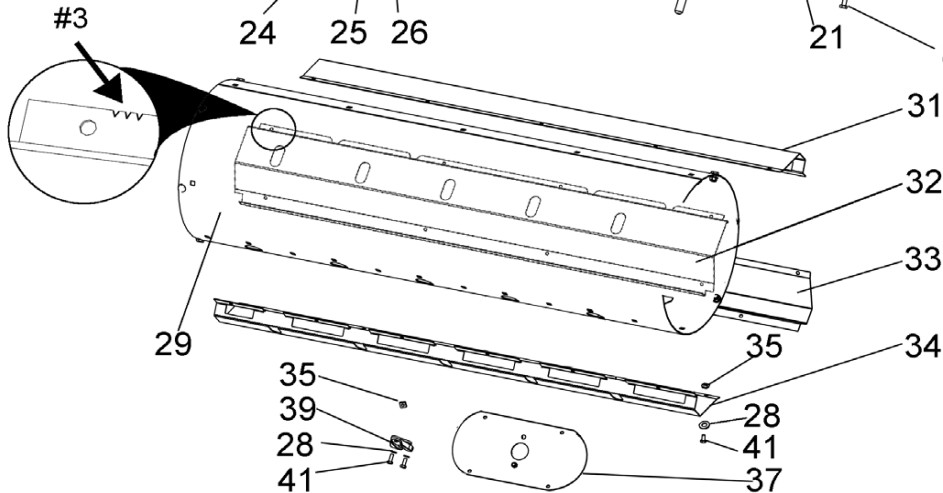
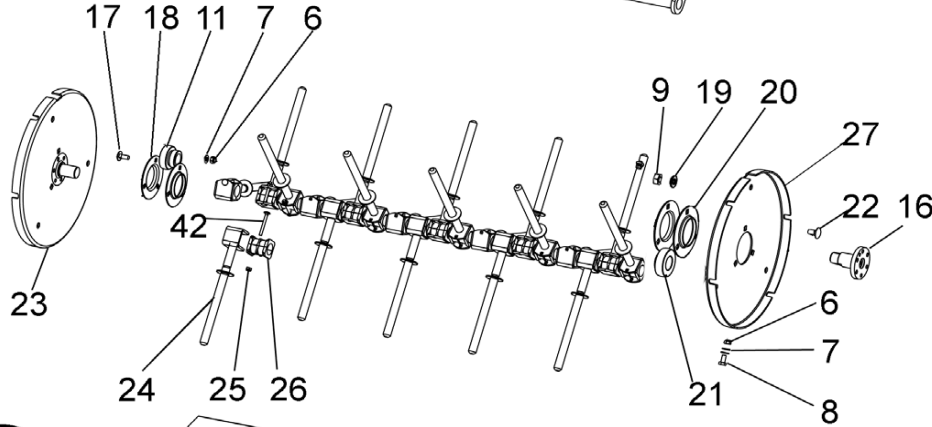
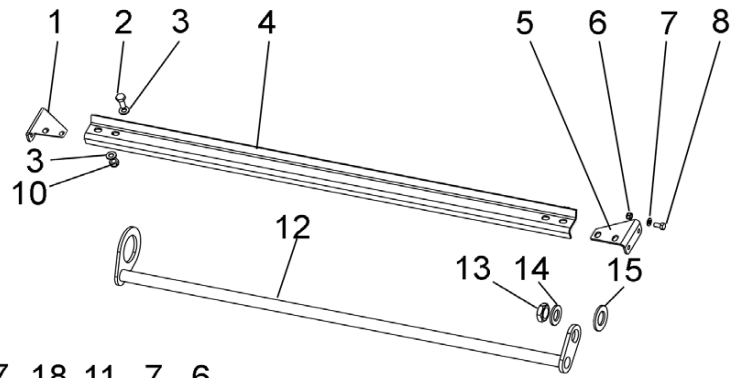
| | | | | | | | |
|----|---------|----|------------------|----------------|-----------------|----------------|---------------------|
| 1 | 6506434 | 14 | Mutteri | Mutter | Nut | Mutter | Ecrou |
| 2 | 7414471 | 14 | Jousilaatta | Fjäderbricka | Spring washer | Federscheibe | Rondelle élastique |
| 3 | 6226567 | 6 | Ruuvi | Skrub | Screw | Schraube | Vis |
| 4 | R713096 | 1 | Holkki | Bussning | Bush | Büchse | Bague |
| 5 | 7414062 | 1 | Aluslaatta | Bricka | Washer | Scheibe | Rondelle |
| 18 | R694270 | 1 | Muut.pyörä kiin. | Var.hjul fast | Pulley stat. | Scheibe | Poulie |
| 19 | 0553031 | 6 | Laakenholkki | Bussning | Bush | Büchse | Bague |
| 20 | R694277 | 6 | Tappi | Tapp | Pin | Zapfen | Goupille |
| 21 | 7716160 | 2 | Kiila | Kil | Key | Keil | Clavette |
| 22 | 0553033 | 4 | Laakenholkki | Bussning | Bush | Büchse | Bague |
| 23 | R694271 | 1 | Muut.pyörä liik. | Var.hjul rörl. | Pulley mov. | Scheibe | Poulie |
| 24 | 0502039 | 2 | Kuulalaakeri | Lager | Bearing | Lager | Roulement |
| 25 | 6229167 | 8 | Ruuvi | Skrub | Screw | Schraube | Vis |
| 26 | 6506634 | 6 | Mutteri | Mutter | Nut | Mutter | Ecrou |
| 27 | R694435 | 3 | Tappi | Tapp | Pin | Zapfen | Goupille |
| 28 | R686431 | 4 | Säätövarsi | Justerarm | Adj.rod | Verstell.arm | Bras de réglage |
| 29 | R694436 | 8 | Väliputki | Mellanrör | Pipe | Rohr | Tube |
| 30 | 0252420 | 2 | Nippa | Smörjnippel | Nipple | Nippel | Graisser |
| 31 | R686437 | 1 | Välitanko | Mellanstång | Intern.rod | Holtzstange | Tige intermédiaire |
| 32 | 6594238 | 2 | Lukkomutteri | Låsmutter | Lock nut | Sich. Mutter | Ecrou de serrage |
| 33 | R694276 | 2 | Laakeripesa | Lagerbox | Bearing box | Lagerkappe | Cage de coussinet |
| 34 | R694432 | 1 | Ruuvi | Skrub | Screw | Schraube | Vis |
| 35 | R694431 | 1 | Tuki | Stöd | Support | Stütze | Support |
| 36 | 0410122 | 12 | Lautasjousi | Tallriksfjäder | Disk spring | Tellerfeder | Rondelle belleville |
| 37 | R694271 | 1 | Muut.pyörä liik. | Var.hjul rörl. | Pulley mov. | Scheibe | Poulie |
| 38 | R694275 | 1 | Muut.pyörä kiin. | Var.hjul fast | Pulley stat. | Scheibe | Poulie |
| 39 | R694563 | 1 | Avain | Nyckel | Key | Schlüssel | Cléf |
| 40 | 6231767 | 1 | Ruuvi | Skrub | Screw | Schraube | Vis |
| 41 | R680717 | 1 | Sideruuvi | Skrub | Screw | Schraube | Vis |
| 42 | R694434 | 1 | Mutteritappi | Muttertapp | Nut pin | Mutterachse | Goujon-ecrou |
| 43 | R694289 | 1 | Lukkolevy | Låsplåt | Locking plate | Sich. Blech | Plaque de serrage |
| 44 | 7414473 | 3 | Jousilaatta | Fjäderbricka | Spring washer | Federscheibe | Rondelle élastique |
| 45 | 6231167 | 3 | Ruuvi | Skrub | Screw | Schraube | Vis |
| 46 | R694290 | 1 | Mutteri | Mutter | Nut | Mutter | Ecrou |
| 47 | 7815951 | 12 | Varmistinrenkas | Låsring | Circlip | Sicherungsring | Circlip |
| 48 | 7815950 | 4 | Varmistinrenkas | Låsring | Circlip | Sicherungsring | Circlip |
| 51 | R694582 | 1 | Ruuvi | Skrub | Screw | Schraube | Vis |
| 52 | 7400036 | 4 | Aluslaatta | Bricka | Washer | Scheibe | Rondelle |
| 53 | R694583 | 2 | Vaimennin | Dämpare | Damper | Dämpfer | Amortisseur |
| 54 | 6594438 | 2 | Mutteri | Mutter | Nut | Mutter | Ecrou |
| 55 | 7814281 | 1 | Rengassokka | Ringsprint | Pin | Splint | Goupille |
| 56 | 6242167 | 1 | Kuusioruuvi | Skrub | Hexagonal screw | Schraube | Vis |

CSP
CSP

CSP
CSP

CSP

12HP



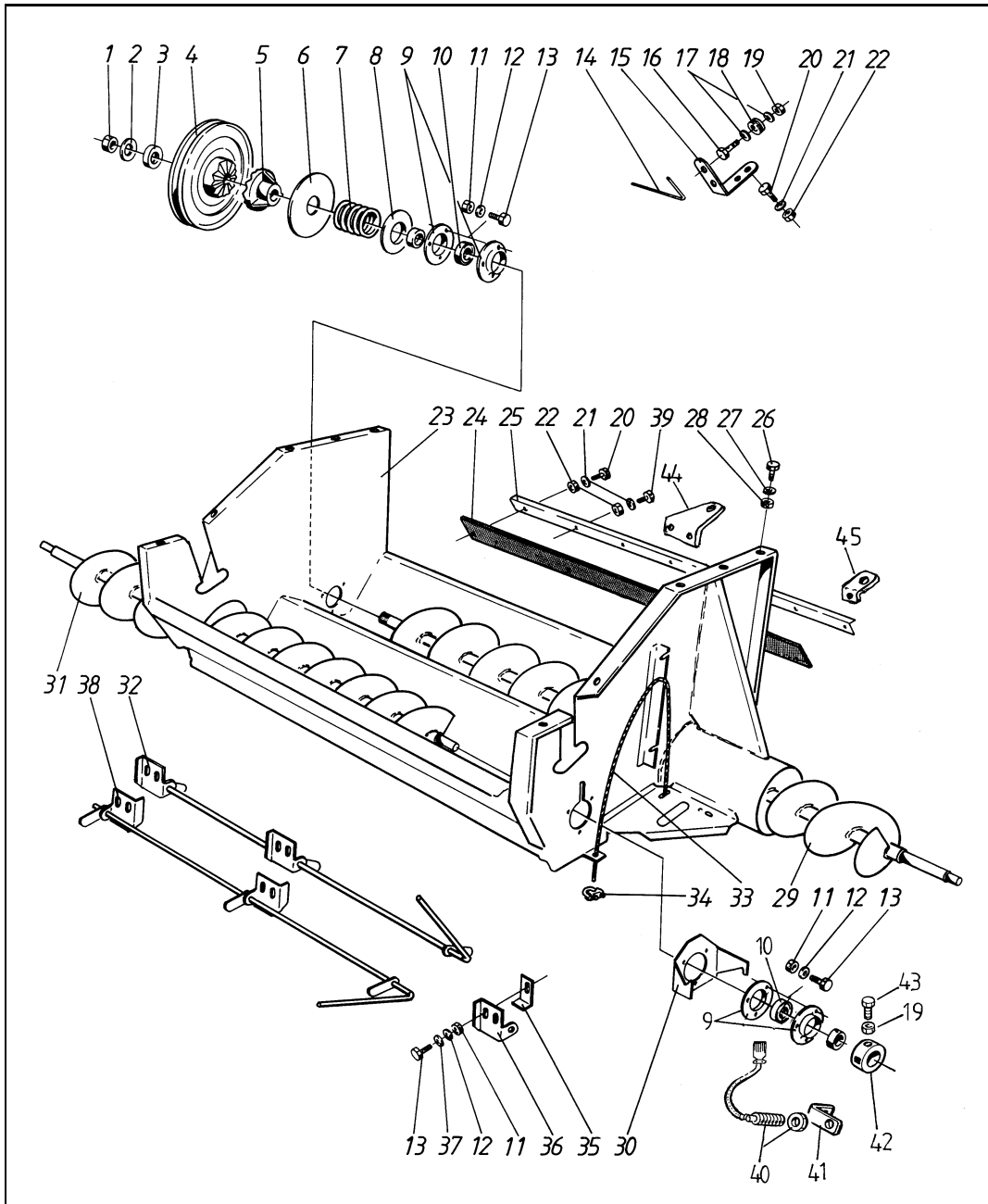
| | | | | | | | |
|----|---------|----|---------------|--------------|---------------|---------------|--------------------|
| 1 | R709396 | 1 | Kiinnitin,oik | Hällare,hö | Holder,right | Halter | Etrier |
| 2 | 6226360 | 4 | Ruuvi | Skruv | Screw | Schraube | Vis |
| 3 | 7400033 | 4 | Aluslaatta | Bricka | Washer | Scheibe | Rondelle |
| 4 | R709394 | 1 | Kuorintarauta | | Peeling plate | | |
| 5 | R709395 | 1 | Kiinnitin,vas | Hällare,vä | Holder,left | Halter | Etrier |
| 6 | 6594038 | 19 | Lukkomutteri | Låsmutter | Lock nut | Sich. Mutter | Ecrou de serrage |
| 7 | 7400032 | 31 | Aluslaatta | Bricka | Washer | Scheibe | Rondelle |
| 8 | 6220867 | 16 | Ruuvi | Skruv | Screw | Schraube | Vis |
| 9 | 6506434 | 3 | Mutteri | Mutter | Nut | Mutter | Ecrou |
| 10 | 6594148 | 4 | Lukkomutteri | Låsmutter | Lock nut | Sich. Mutter | Ecrou de serrage |
| 11 | 0511054 | 1 | Laakeri | Lager | Bearing | Lager | Roulement |
| 12 | R708766 | 1 | Kampiakseli | Vevaxel | Crankshaft | Kurbelwelle | Viljebrequin |
| 13 | 6522130 | 1 | Mutteri | Mutter | Nut | Mutter | Ecrou |
| 14 | 7400040 | 1 | Aluslaatta | Bricka | Washer | Scheibe | Rondelle |
| 15 | 7400042 | 1 | Aluslaatta | Bricka | Washer | Scheibe | Rondelle |
| 16 | R706876 | 1 | Akseli | Axel | Axle | Achse | Arbre |
| 17 | 6758344 | 3 | Lukkoruuvi | Låsskruv | Lock screw | Sich.schraube | Vis de serrage |
| 18 | 0569321 | 2 | Laippa | Fläns | Flange | Flansch | Flasque |
| 19 | 7414009 | 3 | Aluslaatta | Bricka | Washer | Scheibe | Rondelle |
| 20 | 0569322 | 2 | Laippa | Fläns | Flange | Flansch | Flasque |
| 21 | 0511057 | 1 | Laakeri | Lager | Bearing | Lager | Roulement |
| 22 | 6763344 | 3 | Lukkoruuvi | Låsskruv | Lock screw | Sich.Schraube | Vis de serrage |
| 23 | R706871 | 1 | Päätylevy | Andplåt | End.plate | Endplatte | Plaque |
| 24 | R706385 | 20 | Sormi | Finger | Finger | Finger | Doigt |
| 25 | 6593838 | 20 | Lukkomutteri | Låsmutter | Lock nut | Sich. Mutter | Ecrou de serrage |
| 26 | 0552091 | 20 | Laakeri | Lager | Bearing | Lager | Roulement |
| 27 | R706872 | 1 | Päätylevy | Andplåt | End.plate | Endplatte | Plaque |
| 28 | 7414465 | 79 | Jousilaatta | Fjäderbricka | Spring washer | Federscheibe | Rondelle élastique |
| 29 | R708762 | 1 | Vaippa | Mantel | Housing | Gehäuse | Corps |
| 31 | R709654 | #4 | Kotelo | Hus | Housing | Gehäuse | Carter |
| 32 | R709653 | #3 | Kotelo | Hus | Housing | Gehäuse | Carter |
| 33 | R709652 | #2 | Kotelo | Hus | Housing | Gehäuse | Carter |
| 34 | R709651 | #1 | Kotelo | Hus | Housing | Gehäuse | Carter |
| 35 | 6597534 | 74 | Niittimutteri | Nitmutter | Rivet nut | Nietmutter | Rivet écrou |
| 37 | R708773 | 2 | Kansi | Lock | Cover | Deckel | Couvercle |
| 39 | 0424382 | 18 | Laakeri | Lager | Bearing | Lager | Roulement |
| 41 | 6211067 | 81 | Ruuvi | Skruv | Screw | Schraube | Vis |
| 42 | 6754744 | 20 | Ruuvi | Skruv | Screw | Schraube | Vis |

Pohjakouru
Bottenrännä

Bottom trough
Bodenrinne

12MB

Coffre de la vis sans fin

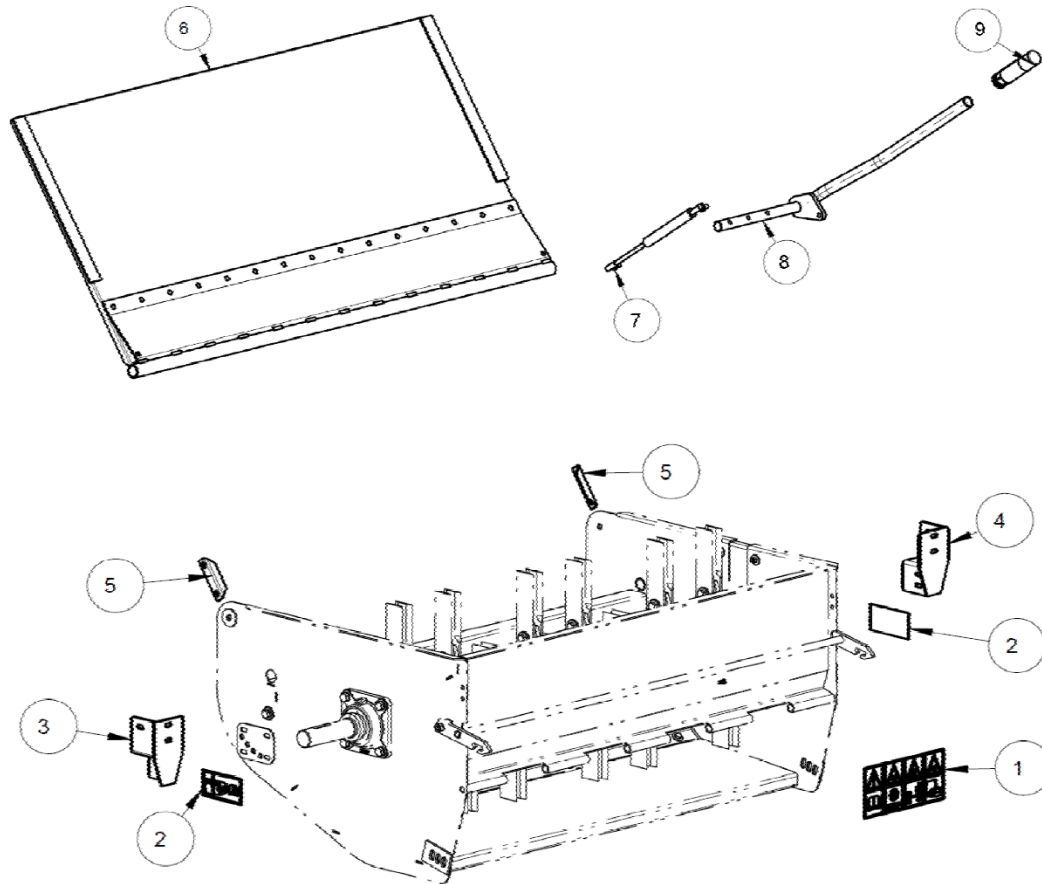


| | | | | | | | | |
|----|---------|------|----|----------------|----------------------|--------------------|----------------|--------------------|
| 1 | 6594538 | | 1 | Mutteri | Mutter | Nut | Mutter | Ecrou |
| 2 | 7400038 | | 1 | Aluslaatta | Bricka | Washer | Scheibe | Rondelle |
| 3 | R680878 | | 1 | Aluslaatta | Bricka | Washer | Scheibe | Rondelle |
| 4 | R607069 | | 1 | Hihnapyörä | Remskiva | Pulley | Riemenscheibe | Poulie |
| 5 | R067448 | | 1 | Vastakappale | Hämskiva | Release piece | Ausrückscheibe | Arretoir |
| 6 | R605138 | | 1 | Aluslaatta | Bricka | Washer | Scheibe | Rondelle |
| 7 | 0415175 | | 1 | Jousi | Fjäder | Spring | Feder | Ressort |
| 8 | R680877 | | 1 | Aluslaatta | Bricka | Washer | Scheibe | Rondelle |
| 9 | 0569321 | | 4 | Laippa | Fläns | Flange | Flansch | Flasque |
| 10 | 0511360 | | 2 | Kuulalaakeri | Lager | Bearing | Lager | Roulement |
| 11 | 6594038 | | 6 | Lukkmutteri | Läsmutter | Lock nut | Sich. Mutter | Ecrou de serrage |
| 12 | 7414469 | | 6 | Jousilaatta | Fjäderbricka | Spring washer | Federscheibe | Rondelle élastique |
| 13 | 6758344 | | 6 | Lukkoruuvi | Lässkruv | Lock screw | Sich.schraube | Vis de serrage |
| 14 | 0415123 | | 1 | Jousi | Fjäder | Spring | Feder | Ressort |
| 15 | R685708 | | 1 | Tuki | Stöd | Support | Stütze | Support |
| 16 | R596077 | | 2 | Ruuvi | Skruv | Schrew | Schraube | Vis |
| 17 | 7400030 | | 4 | Aluslaatta | Bricka | Washer | Scheibe | Rondelle |
| 18 | 0633567 | | 2 | Eristin | Isolator | Insulator | Isolator | Isolateur |
| 19 | 6506034 | | 3 | Mutteri | Mutter | Nut | Mutter | Ecrou |
| 20 | 6210667 | | 7 | Ruuvi | Skruv | Screw | Schraube | Vis |
| 21 | 7414465 | | 10 | Jousilaatta | Fjäderbricka | Spring washer | Federscheibe | Rondelle élastique |
| 22 | 6506034 | | 10 | Mutteri | Mutter | Nut | Mutter | Ecrou |
| 23 | R694313 | | 1 | Pohjakouru | Bottenrännä | Bottom trough | Bodenrinne | Gouttière |
| 24 | R680694 | | 1 | Tiiviste | Tätning | Packing | Dichtung | Joint |
| 25 | R680693 | | 1 | Lista | List | List | Leiste | Moulure |
| 26 | 6226167 | | 10 | Ruuvi | Skruv | Screw | Schraube | Vis |
| 27 | 7400033 | | 10 | Aluslaatta | Bricka | Washer | Scheibe | Rondelle |
| 28 | 6594148 | | 10 | Lukkmutteri | Läsmutter | Lock nut | Sich. Mutter | Ecrou de serrage |
| 29 | R680870 | MD | 1 | Kierukka | Skruvaxel | Auger | Schnecke | Vis |
| 29 | R707594 | RICE | 1 | Akseli | Axel | Shaft | Welle | Arbre |
| 30 | R680692 | | 1 | Laakenlevy | Lagerplåt | Bearing plate | Lagerblech | Plaque de rouleme |
| 31 | R694304 | MD | 1 | Siirtoruuvi MD | Skruvaxel MD | Auger MD | Schnecke MD | Vis MD |
| 31 | R709951 | RICE | 1 | Siirtoruuvi HD | Skruvaxel HD | Auger HD | Schnecke HD | Vis HD |
| 32 | R680687 | | 1 | Lukitsin | Regel | Latch | Riegel | Loquet |
| 33 | 9687236 | | 1 | Vajjeri | Vajer | Cable | Spirale | Cable |
| 34 | 0679072 | | 2 | Köyslukko | Vajerlas | Wire lock | Seilschloss | Verrou de câble |
| 35 | R686136 | | 2 | Rajoitin | Stoppare | Limit | Anschlag | Butoir |
| 36 | R680690 | | 2 | Levy | Plåt | Plate | Blech | Plaque |
| 37 | 7400032 | | 2 | Aluslaatta | Bricka | Washer | Scheibe | Rondelle |
| 38 | R680688 | | 1 | Lukitsin | Regel | Latch | Riegel | Loquet |
| 39 | 6211067 | | 3 | Ruuvi | Skruv | Screw | Schraube | Vis |
| 40 | R707129 | A | 1 | Anturi | Givare | Indicator | Geber | Transmetteur |
| 40 | 8063236 | B | 1 | Kytkin | Brytare | Switch | Schalter | Commutateur |
| 41 | R694212 | | 1 | Kiinnitin | Hällare | Fastener | Klemme | Etrier |
| 42 | R693488 | | 1 | Holkki | Bussning | Bush | Büchse | Bague |
| 43 | 6211467 | | 1 | Ruuvi | Skruv | Screw | Schraube | Vis |
| 44 | R686616 | | 1 | Kiinnitin | Klämma | Clamp | Klemme | Etrier |
| 45 | R686722 | | 1 | Kiinnitin | Fäste | Holder | Halter | Etrier |
| | | | | A | Ilman tappiomittaria | Without Loss Monit | | |
| | | | | B | Tappiomit. kanssa | With Loss Monitor | | |
| | | | | | COMIA C4,C6,C8 | | 0815153 | 06/2015 |

Läppäsilppuri 2
Hack med täckplåten 2

Straw cutter with guide plate 2
Häckslers mit Leitblech 2

12PFB



- 1 0482013
- 2 0481836
- 3 0481837
- 4 0481838
- 5 0481839
- 6 0481841
- 7 0481077
- 8 0482064
- 9 0481840

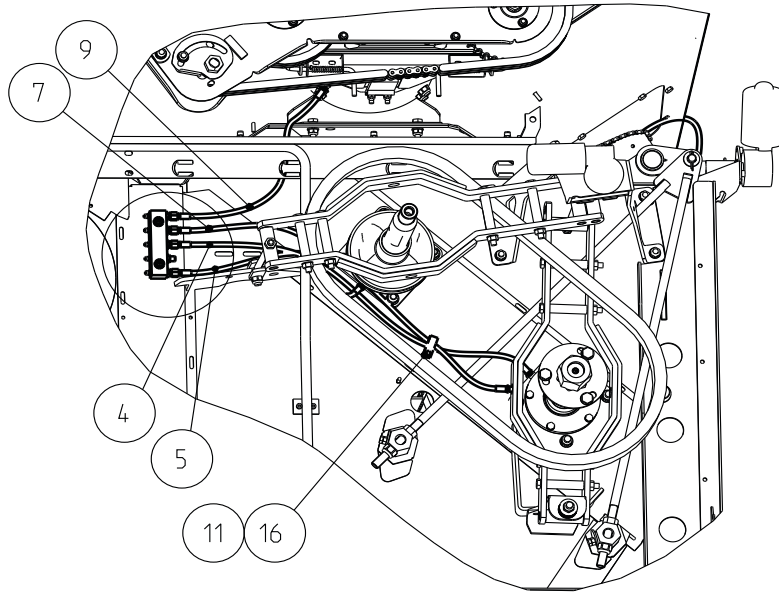
- | | | | | | |
|---|--------------|---------------|-------------|---------------|---------------|
| 1 | Tarra | Dekal | Transfer | Aufkleber | Décalque |
| 2 | Tarra | Dekal | Transfer | Aufkleber | Décalque |
| 1 | Takakannatin | Bakre hållare | Rear holder | Halter | Support |
| 1 | Takakannatin | Bakre hållare | Rear holder | Halter | Support |
| 2 | Pidätin | Lås | Holder | Halter | Etrier |
| 1 | Ohjainlevy | Styrplåt | Guide plate | Führungsblech | Plaque-guide |
| 1 | Kaasujousi | Gasfjäder | Gaspring | Gasfeder | Ressort à gas |
| 1 | Kahva | Handtag | Handle | Grift | Poignée |
| 1 | Kahva | Handtag | Handle | Grift | Poignée |

Keskusvoitelu C4,C6 oikea
Centralsmörjning C4,C6 höger

Central lubrication system C4,C6 RH
Zentralschmierung C4,C6 Rechts

12SA

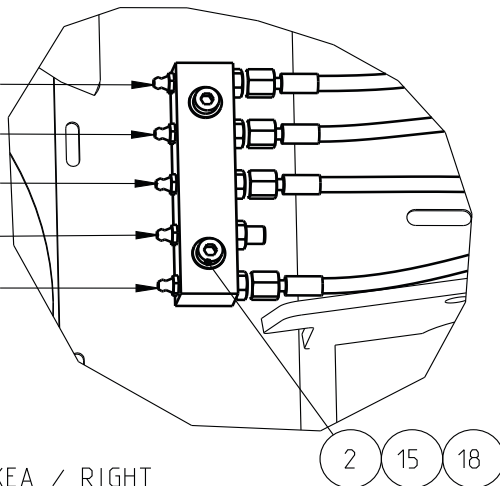
Llubrification centralisée C4,C6 droit



2 0450469
 4 0628111
 5 0628111
 7 0628124
 9 0628125
 11 0629093
 15 6598234
 16 7268607
 18 7400032

| | | | | | |
|---|----------------|-----------|-------------|--------------|-------------|
| 2 | Kuusiokoloruvi | Skruv | Screw | Schraube | Vis |
| 1 | Letku | Slang | Hose | Schlauch | Tuyau |
| 1 | Letku | Slang | Hose | Schlauch | Tuyau |
| 1 | Letku | Slang | Hose | Schlauch | Tuyau |
| 1 | Letku | Slang | Hose | Schlauch | Tuyau |
| 1 | Pidin | Hällare | Holder | Halter | Support |
| 2 | Niittimutteri | Nitmutter | Rivet nut | Nietmutter | Rivet écrou |
| 1 | Levyruuvi | Plåtskruv | Plate screw | Blechschrabe | Vis |
| 2 | Aluslaatta | Bricka | Washer | Scheibe | Rondelle |

TYHJENNYSRUUVI Unloading auger
 OLKIKELA Stripper beater
 KELA Threshing cylinder
 ETUKELA Pre-cylinder
 KELAMUUTIN Cylinder variator

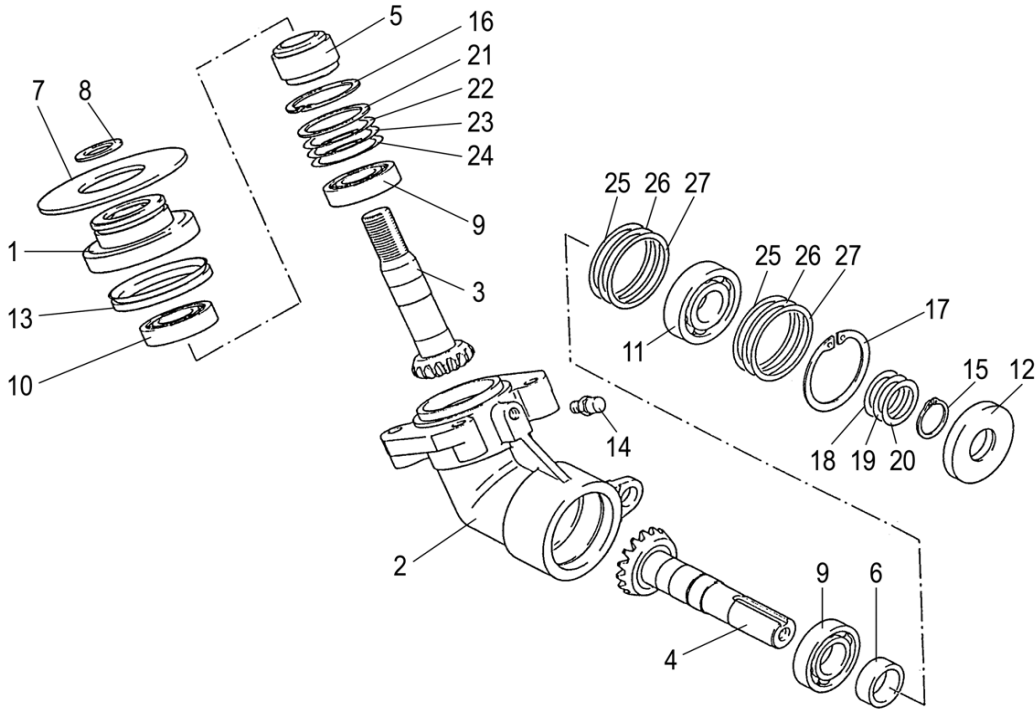


OIKEA / RIGHT

Täyttöruuvun kulmavaihte
Påfyllningskruvens vinkelväxel

Filling auger's bevel gear unit
Gegelrad Getriebe für Körnerschnecke

13CD
Boitier à couple de la vis de remplissage



| | | | | | | | |
|----|---------|---|-----------------|---------------|-----------|----------------|-------------------|
| 1 | 0482650 | 1 | Kansi | Lock | Cover | Deckel | Couvercle |
| 2 | 0482651 | 1 | Kotelo | Hus | Housing | Gehäuse | Carter |
| 3 | 0482652 | 1 | Akseli | Axel | Shaft | Welle | Arbre |
| 4 | 0482653 | 1 | Akseli | Axel | Shaft | Welle | Arbre |
| 5 | 0482654 | 1 | Holkki | Bussning | Bush | Büchse | Bague |
| 6 | 0482655 | 1 | Holkki | Bussning | Bush | Büchse | Bague |
| 7 | 0482656 | 1 | Levy | Plåt | Plate | Blech | Plaque |
| 8 | 0482657 | 1 | Välilevy | Mellanbricka | Washer | Scheibe | Rondelle |
| 9 | 0482658 | 2 | Kuulalaakeri | Lager | Bearing | Lager | Roulement |
| 10 | 0482659 | 1 | Kuulalaakeri | Lager | Bearing | Lager | Roulement |
| 11 | 0482660 | 1 | Kuulalaakeri | Lager | Bearing | Lager | Roulement |
| 12 | 0482661 | 1 | Tiivisterengas | Tättningsring | Seal ring | Dichtung | Joint |
| 13 | 0482662 | 1 | Rengas | Ring | Ring | Ring | Anneau |
| 14 | 0482663 | 1 | Huohotin | Luftventil | Breather | Entlüfter | Reniflard |
| 15 | 0482664 | 1 | Varmistinrengas | Låsring | Circlip | Sicherungsring | Circlip |
| 16 | 0482665 | 1 | Varmistinrengas | Låsring | Circlip | Sicherungsring | Circlip |
| 17 | 0482666 | 1 | Varmistinrengas | Låsring | Circlip | Sicherungsring | Circlip |
| 18 | 0482667 | 1 | Säätölevy | Reglerplåt | Adj.plate | Verstell.blech | Plaque de réglage |
| 19 | 0482668 | 1 | Säätölevy | Reglerplåt | Adj.plate | Verstell.blech | Plaque de réglage |
| 20 | 0482669 | 1 | Säätölevy | Reglerplåt | Adj.plate | Verstell.blech | Plaque de réglage |
| 21 | 0482670 | 1 | Säätölevy | Reglerplåt | Adj.plate | Verstell.blech | Plaque de réglage |
| 22 | 0482671 | 1 | Säätölevy | Reglerplåt | Adj.plate | Verstell.blech | Plaque de réglage |
| 23 | 0482672 | 1 | Säätölevy | Reglerplåt | Adj.plate | Verstell.blech | Plaque de réglage |
| 24 | 0482673 | 1 | Säätölevy | Reglerplåt | Adj.plate | Verstell.blech | Plaque de réglage |
| 25 | 0482674 | 2 | Säätölevy | Reglerplåt | Adj.plate | Verstell.blech | Plaque de réglage |
| 26 | 0482675 | 2 | Säätölevy | Reglerplåt | Adj.plate | Verstell.blech | Plaque de réglage |
| 27 | 0482676 | 2 | Säätölevy | Reglerplåt | Adj.plate | Verstell.blech | Plaque de réglage |

CLICK HERE TO **DOWNLOAD** THE COMPLETE MANUAL

- Thank you very much for reading the preview of the manual.
- You can download the complete manual from: www.heydownloads.com by clicking the link below



- Please note: If there is no response to CLICKING the link, please download this PDF first and then click on it.

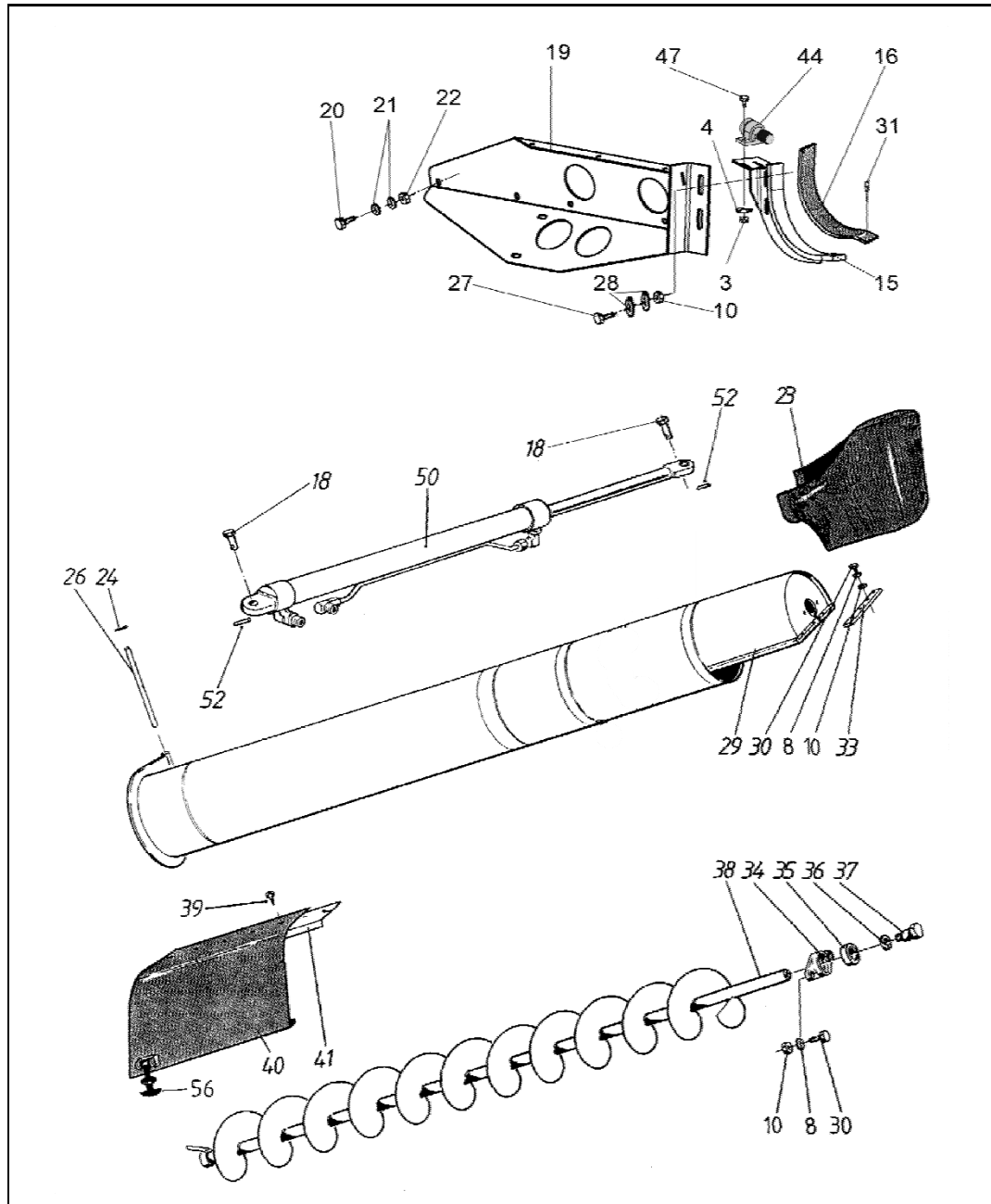
CLICK HERE TO **DOWNLOAD** THE COMPLETE MANUAL

Tyhjennysputki 3,5m
Tömmningsrör 3,5m

Unloading auger 3,5m
Entleerrohr 3,5m

Tube de déchargement 3,5m

13FC



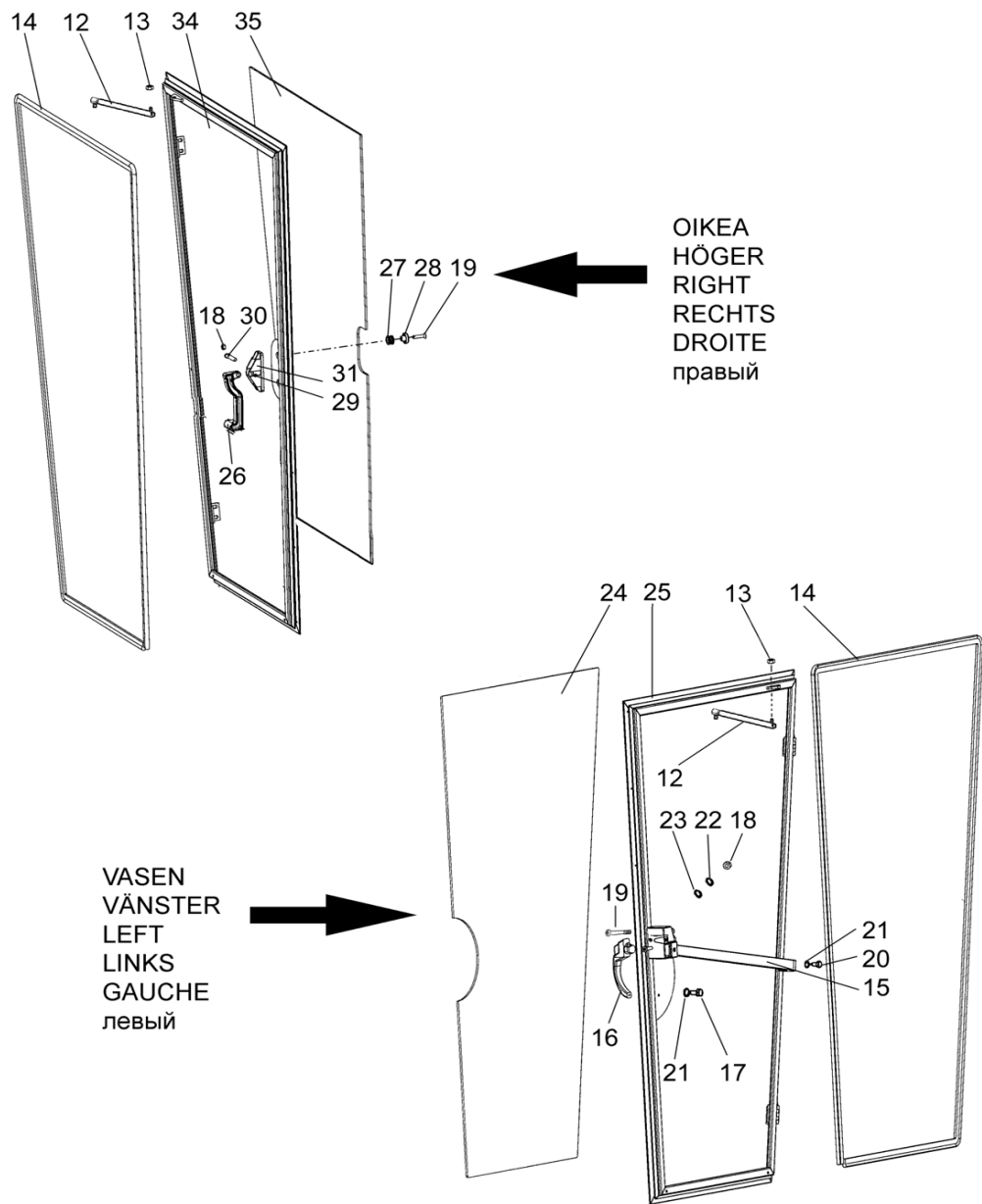
| | | | | | | | |
|----|---------|----|-------------------|--------------------|-------------------|-------------------|-------------------|
| 3 | 6593838 | 9 | Lukkomutteri | Låsmutter | Lock nut | Sich. Mutter | Ecrou de serrage |
| 4 | 7414055 | 9 | Aluslaatta | Bricka | Washer | Scheibe | Rondelle |
| 8 | 7400033 | 8 | Aluslaatta | Bricka | Washer | Scheibe | Rondelle |
| 10 | 6594148 | 11 | Lukkomutteri | Låsmutter | Lock nut | Sich. Mutter | Ecrou de serrage |
| 15 | R710583 | 1 | Tuki | Stöd | Support | Stütze | Support |
| 16 | R686700 | 1 | Kumi | Gummi | Rubber | Gummi | Cau |
| 18 | R693000 | 2 | Tappi | Tapp | Pin | Zapfen | Goupille |
| 19 | R710580 | 1 | Kannatin | Hällare | Holder | Halter | Support |
| 20 | 6221467 | 4 | Ruuvi | Skruv | Screw | Schraube | Vis |
| 21 | 7400032 | 8 | Aluslaatta | Bricka | Washer | Scheibe | Rondelle |
| 22 | 6594038 | 4 | Lukkomutteri | Låsmutter | Lock nut | Sich. Mutter | Ecrou de serrage |
| 23 | 0633833 | 1 | Kumiohjain | Gummistyrning | Guide rubber | Fuehrung | Guide |
| 24 | 7814113 | 2 | Jousisokka | Fjädersprint | Spring pin | Spannstift | Coupille |
| 26 | R686174 | 1 | Saranatappi | Gångjämtapp | Hinge pin | Zapfen | Goupille |
| 27 | 6226767 | 2 | Ruuvi | Skruv | Screw | Schraube | Vis |
| 28 | 7414059 | 4 | Aluslaatta | Bricka | Washer | Scheibe | Rondelle |
| 29 | R707198 | 1 | Tyhj.putki, pitkä | Tömmningsrör, lång | Unload.tube ,long | Entleerrohr, lang | Vis de décharge |
| 30 | 6226567 | 4 | Ruuvi | Skruv | Screw | Schraube | Vis |
| 31 | 7659074 | 1 | Niitti | Nit | Rivet | Niete | Rivet |
| 33 | R686736 | 1 | Lista | List | List | Leiste | Moulure |
| 34 | R693123 | 1 | Laakeripesä | Lagerhus | Bearing box | Gehäuse | Cage de roulement |
| 35 | 0511054 | 1 | Laakeri | Lager | Bearing | Lager | Roulement |
| 36 | 7400040 | 2 | Aluslaatta | Bricka | Washer | Scheibe | Rondelle |
| 37 | R680991 | 1 | Ruuvi | Skruv | Screw | Schraube | Vis |
| 38 | R687969 | 1 | Kierukka 3,5m | Skruvaxel 3,5m | Auger 3,5m | Schnecke 3,5m | Vis 3,5m |
| 39 | 7268607 | 5 | Levyruuvi | Plåtskruv | Plate screw | Blechschräube | Vis |
| 40 | 0633832 | 1 | Peitekumi | Gummi | Rubber | Gummi | Cau |
| 41 | R686787 | 1 | Kiinnityslevy | Fäste | Fastening | Halter | Etrier |
| 44 | 8063236 | 1 | Kytkin | Brytare | Switch | Schalter | Commutateur |
| 47 | 6211667 | 2 | Ruuvi | Skruv | Screw | Schraube | Vis |
| 50 | 0493951 | 1 | Sylinteri | Cylinder | Cylinder | Zylinder | Cylinder |
| 52 | 7814145 | 2 | Jousisokka | Fjädersprint | Spring pin | Spannstift | Coupille |
| 56 | 0480586 | 1 | Kumisalpa | Gummistropp | Rubber bolt | Riegel | Verrou |

Ovet
Dörrar

Doors
Tür

Portes

14BE



OIKEA
HÖGER
RIGHT
RECHTS
DROITE
правый

VASEN
VÄNSTER
LEFT
LINKS
GAUCHE
левый

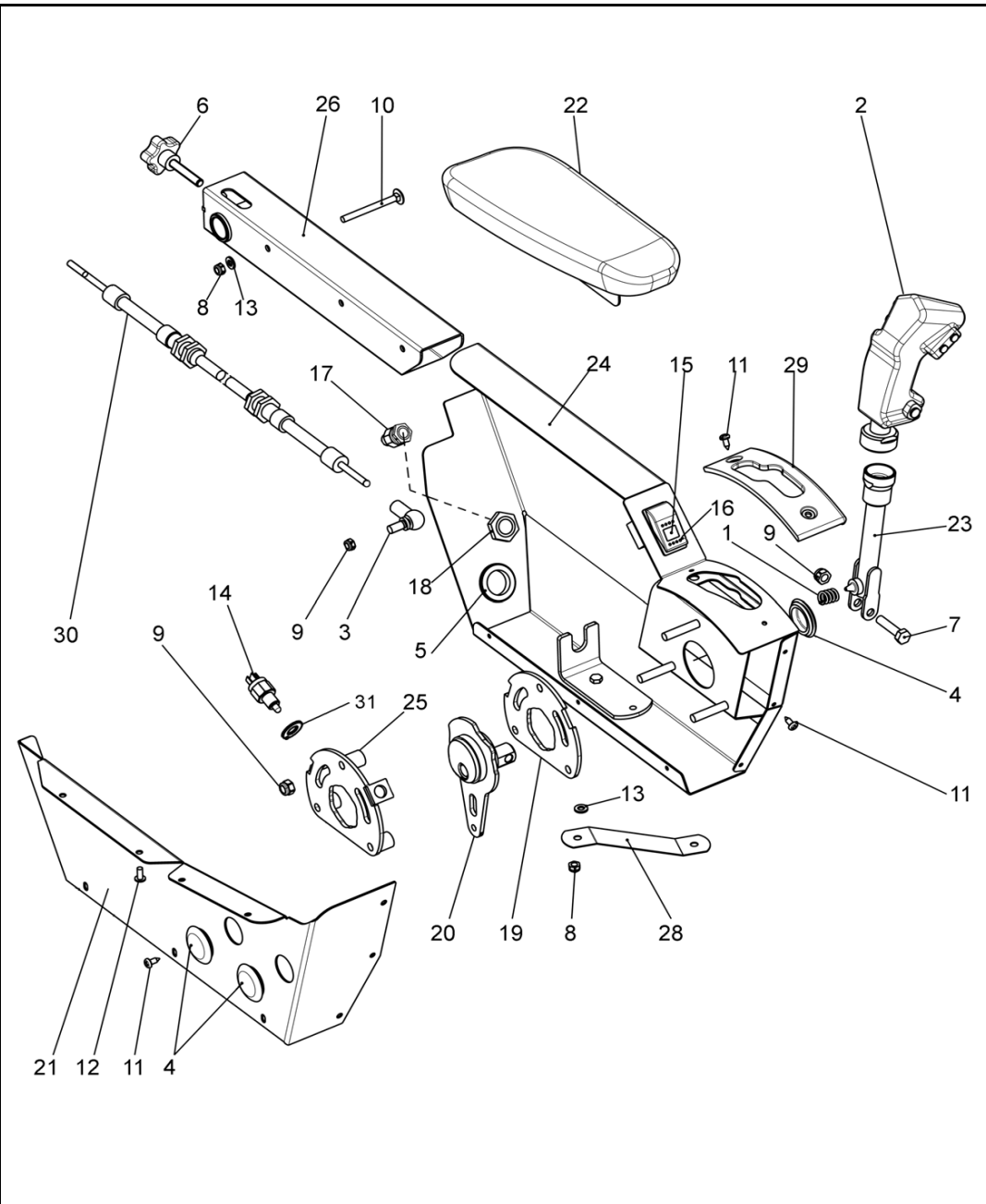
| | | | | | | | |
|----|---------|---|-----------------|---------------|---------------|----------------|--------------------|
| 12 | 0400522 | 2 | Kaasujousi | Gasfjäder | Gaspring | Gasfeder | Ressort à gas |
| 13 | 6594048 | 2 | Lukkomutteri | Låsmutter | Lock nut | Sich. Mutter | Ecrou de serrage |
| 14 | 0450343 | 2 | Tiiviste | Tätning | Packing | Dichtung | Joint |
| 15 | 0871016 | 1 | Lukko, vas. | Lås, vänster | Lock, LH | Schloss, links | Serrure, gauche |
| 16 | 0871046 | 1 | Kahva | Handtag | Handle | Griff | Poignée |
| 17 | 6210667 | 1 | Ruuvi | Skruv | Screw | Schraube | Vis |
| 18 | 6506234 | 4 | Mutteri | Mutter | Nut | Mutter | Ecrou |
| 19 | 7040626 | 4 | Ruuvi | Skruv | Screw | Schraube | Vis |
| 20 | 7268607 | 1 | Levyruuvi | Plåtskruv | Plate screw | Blechschrabe | Vis |
| 21 | 7400030 | 2 | Aluslaatta | Bricka | Washer | Scheibe | Rondelle |
| 22 | 7400032 | 2 | Aluslaatta | Bricka | Washer | Scheibe | Rondelle |
| 23 | 7414469 | 2 | Jousilaatta | Fjäderbricka | Spring washer | Federscheibe | Rondelle élastique |
| 24 | 0868281 | 1 | Lasi, vasen | Glas, vänster | Glass, left | Glas, links | Vitre, gauche |
| 25 | 8698739 | 1 | Ovi, vasen | Dör, vänster | Door, left | Tür, links | Porte, gauche |
| 26 | 0871063 | 1 | Kahva | Handtag | Handle | Griff | Poignée |
| 27 | 0871064 | 2 | Läpivienti | Genomföring | Inlet | Durchführung | Traverse isolée |
| 28 | 0871065 | 2 | Välirengas | Distansring | Spacer | Ring | Bague |
| 29 | 0871066 | 1 | Varmistinrengas | Låsring | Circlip | Sicherungsring | Circlip |
| 30 | 0871067 | 1 | Tappi | Tapp | Pin | Zapfen | Coupille |
| 31 | 0871068 | 1 | Kannatin | Stöd | Support | Stütze | Support |
| 34 | 8709033 | 1 | Ovi, oikea | Dör, höger | Door, right | Tür, rechts | Porte, droit |
| 35 | 0868283 | 1 | Lasi, oikea | Glas, höger | Glass, right | Glas, rechts | Vitre, droit |

Ohjauspulpetti
Kontroll panel

Benchboard
Kontrol panel

14EB

Pupitre de contrôle



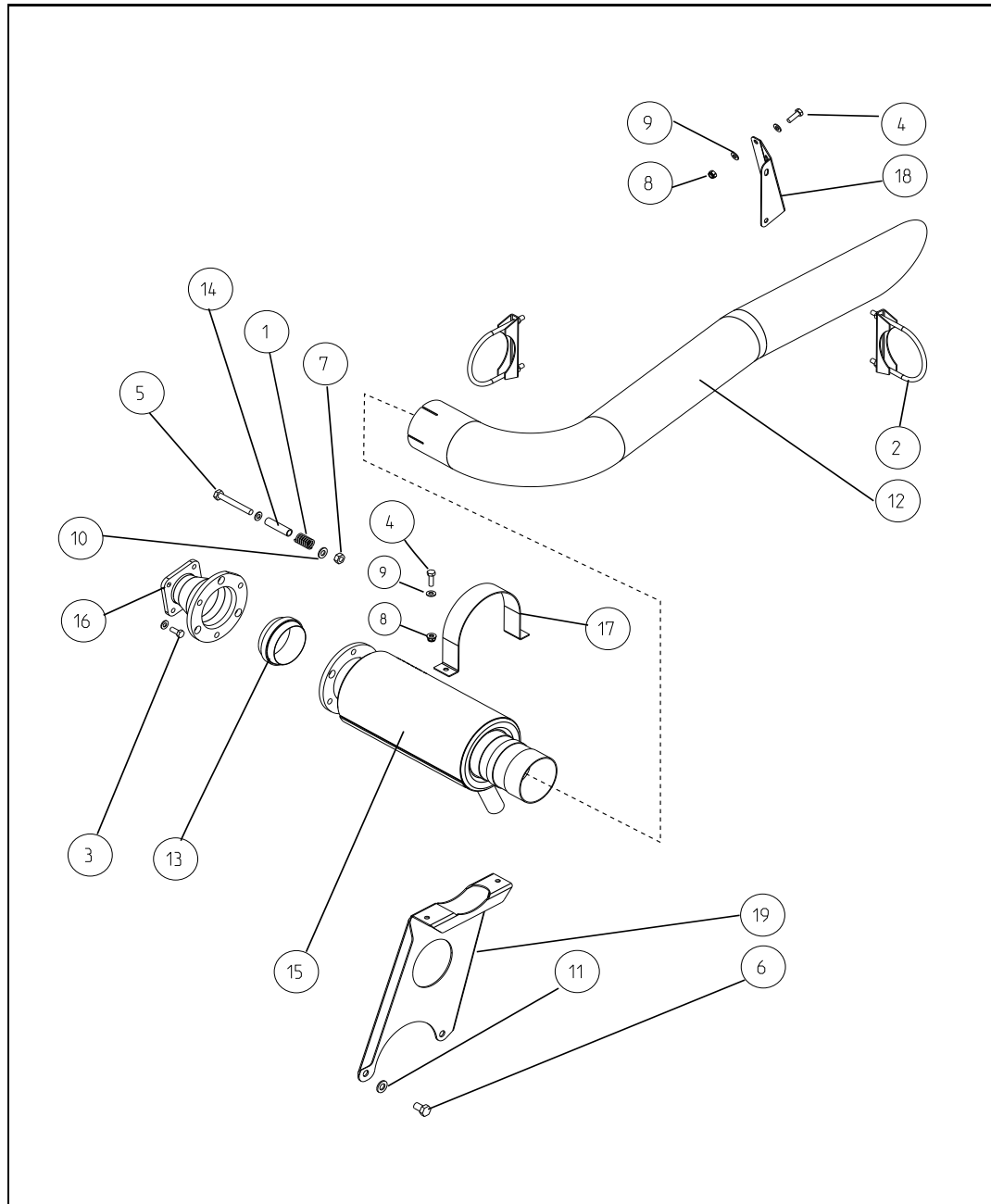
| | | | | | | | |
|----|---------|----|------------------|------------------|-----------------|-------------------|--------------------|
| 1 | 0415254 | 1 | Jousi | Fjäder | Spring | Feder | Ressort |
| 2 | 0424405 | 1 | Kahva | Handtag | Handle | Grift | Poignée |
| 3 | 0497739 | 1 | Pallonivel | Kulled | Joint | Gelenk | Rotule |
| 4 | 0633670 | 3 | Tulppa | Plugg | Plug | Stopfen | Bouchon |
| 5 | 0633671 | 1 | Kumi | Gummi | Rubber | Gummi | Cau |
| 6 | 0871055 | 1 | Nuppi | Knopp | Knob | Knopf | Poignée |
| 7 | 6221877 | 1 | Ruuvi | Skruv | Screw | Schraube | Vis |
| 8 | 6593838 | 5 | Lukkomutteri | Låsmutter | Lock nut | Sich. Mutter | Ecrou de serrage |
| 9 | 6594048 | 4 | Lukkomutteri | Låsmutter | Lock nut | Sich. Mutter | Ecrou de serrage |
| 10 | 6755314 | 3 | Ruuvi | Skruv | Screw | Schraube | Vis |
| 11 | 7266309 | 10 | Levyruuvi | Plåtskruv | Plate screw | Blechschrabe | Vis |
| 12 | 7267413 | 4 | Ruuvi | Skruv | Screw | Schraube | Vis |
| 13 | 7400030 | 4 | Aluslaatta | Bricka | Washer | Scheibe | Rondelle |
| 14 | 8063240 | 2 | Kytkin | Brytare | Switch | Schalter | Commutateur |
| 14 | 8500412 | 2 | Anturi | Givare | Indicator | Geber | Transmetteur |
| 15 | 8095834 | 1 | Symboli, tyhj.p. | Symbol, tomn.rör | Symbol, uni.tun | Symbol, entl.röhr | Symbole |
| 16 | 8095880 | 1 | Kytkin | Brytare | Switch | Schalter | Commutateur |
| 17 | 8500295 | 1 | Vedonpoistaja | | Stretch limiter | | Anti-traction |
| 18 | 8500296 | 1 | Mutter | Mutter | Nut | Mutter | Ecrou |
| 19 | R708513 | 1 | Kiinnityslevy | Fäste | Fastening | Halter | Etrier |
| 20 | R708518 | 1 | Keskiö | Nav | Hub | Nabe | Moyeu |
| 20 | R713059 | 1 | Keskiö | Nav | Hub | Nabe | Moyeu |
| 21 | R708525 | 1 | Sivusuoja | Skydd | Guard | Schutz | Protecteur |
| 22 | 0633892 | 1 | Kynnänoja | Armstöd | Arm support | | |
| 23 | R708538 | 1 | Varsi | Arm | Arm | Arm | Bras |
| 24 | R708539 | 1 | Sivu | Sida | Side | Blech | Plaque |
| 25 | R708540 | 1 | Laippa | Fläns | Flange | Flansch | Flasque |
| 25 | R713057 | 1 | Laippa | Fläns | Flange | Flansch | Flasque |
| 26 | R708542 | 1 | Kannatin | Hållare | Holder | Halter | Support |
| 28 | R709272 | 1 | Tukilevy | Stödplåt | Support plate | Stützscheibe | Rondelle |
| 29 | 0633898 | 1 | Peitelevy | Täckplåt | Cover plate | Blech | Plaque |
| 30 | 0499604 | 1 | Vaijeri | Vajer | Cable | Spirale | Cable |
| 30 | 0499605 | 1 | Vaijeri | Vajer | Wire | Spirale | Cable |
| 31 | 7414473 | 3 | Jousilaatta | Fjäderbricka | Spring washer | Federscheibe | Rondelle élastique |

Äänenvaimennin 44CTA 3A moottori
Ljuddämpare, Motor 44CTA 3A

Silencer, Engine 44CTA 3A
Schalldämpfer, Motor 44CTA 3A

15DA

Silencieux Moteur 44CTA 3A



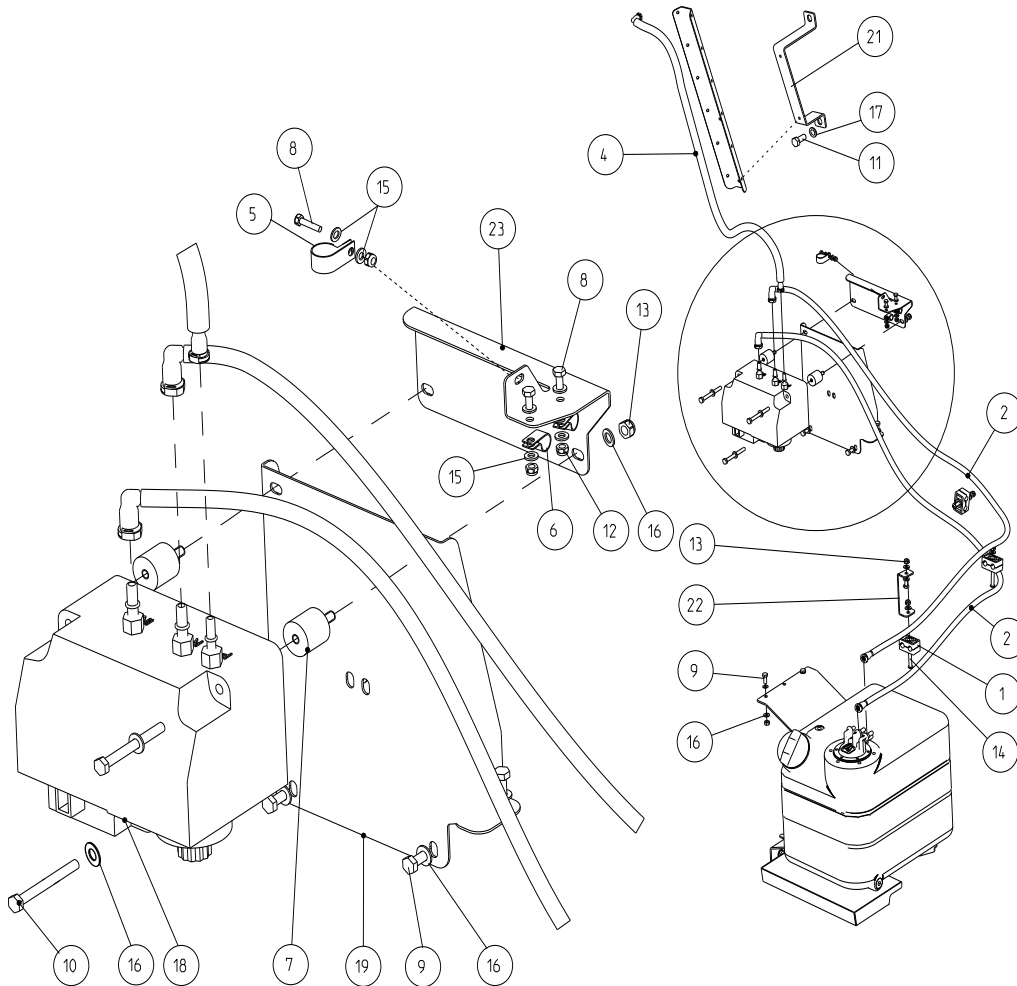
| | | | | | | | |
|----|---------|----|----------------|---------------|-----------|---------------|------------------|
| 1 | 0415108 | 3 | Jousi | Fjäder | Spring | Feder | Ressort |
| 2 | 0629190 | 2 | Side | Stag | Link | Schelle | Tirant |
| 3 | 6221260 | 4 | Ruuvi | Skruv | Screw | Schraube | Vis |
| 4 | 6221467 | 4 | Ruuvi | Skruv | Screw | Schraube | Vis |
| 5 | 6228577 | 3 | Ruuvi | Skruv | Screw | Schraube | Vis |
| 6 | 6230967 | 2 | Ruuvi | Skruv | Screw | Schraube | Vis |
| 7 | 6506434 | 3 | Mutteri | Mutter | Nut | Mutter | Ecrou |
| 8 | 6594038 | 4 | Lukkomutteri | Låsmutter | Lock nut | Sich. Mutter | Ecrou de serrage |
| 9 | 7400032 | 12 | Aluslaatta | Bricka | Washer | Scheibe | Rondelle |
| 10 | 7400033 | 6 | Aluslaatta | Bricka | Washer | Scheibe | Rondelle |
| 11 | 7400034 | 2 | Aluslaatta | Bricka | Washer | Scheibe | Rondelle |
| 12 | 9711174 | 1 | Putki | Rör | Pipe | Rohr | Tube |
| 13 | R702939 | 1 | Tiivisterengas | Tättningsring | Seal ring | Dichtung | Joint |
| 14 | R702940 | 3 | Rajotin | Stoppare | Limiter | Anschlag | Butoir |
| 15 | R706907 | 1 | Äänenvaimennin | Ljuddämpare | Silencer | Schalldämpfer | Silencieux |
| 16 | R706943 | 1 | Putki | Rör | Pipe | Rohr | Tube |
| 17 | R711069 | 1 | Kiinnike | Fäste | Fastening | Halter | Etrier |
| 18 | R711070 | 1 | Tuki | Stöd | Support | Stütze | Support |
| 19 | R711228 | 1 | Kannatin | Hällare | Holder | Halter | Support |

DEF-kierto
DEF-circulation

DEF-circulation
DEF- Zirkulation

15FB

Cycle DEF

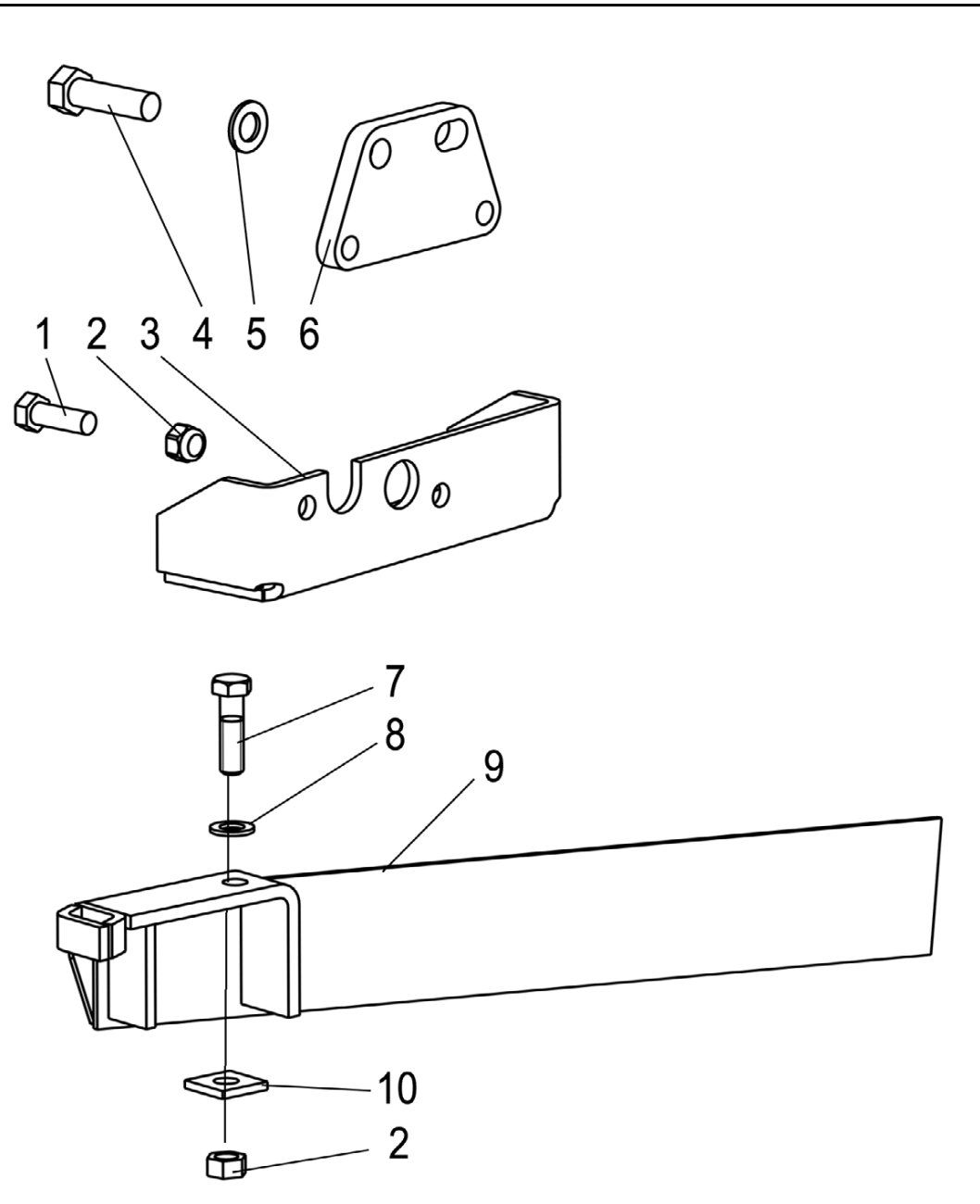


| | | | | | | | |
|----|---------|----|----------------|-----------|---------------|--------------|------------------|
| 1 | 0499727 | 3 | Kiinnitin | Fäste | Holder | Halter | Etrier |
| 2 | 0621160 | 2 | Letku | Slang | Hose | Schlauch | Tuyau |
| 4 | 0621161 | 1 | Letku | Slang | Hose | Halter | Tuyau |
| 5 | 0629093 | 1 | Pidin | Hällare | Holder | Halter | Support |
| 6 | 0629094 | 2 | Side | Klämma | Clamp | Klemme | Collier |
| 7 | 0633676 | 3 | Eristin | Isolator | Insulator | Isolator | Isolateur |
| 8 | 6211067 | 3 | Ruuvi | Skruv | Screw | Schraube | Vis |
| 9 | 6221267 | 5 | Ruuvi | Skruv | Screw | Schraube | Vis |
| 10 | 6223667 | 3 | Ruuvi | Skruv | Screw | Schraube | Vis |
| 11 | 6235767 | 2 | Ruuvi | Skruv | Screw | Schraube | Vis |
| 12 | 6593838 | 3 | Lukkomutter | Låsmutter | Lock nut | Sich. Mutter | Ecrou de serrage |
| 13 | 6594038 | 7 | Lukkomutteri | Låsmutter | Lock nut | Sich. Mutter | Ecrou de serrage |
| 14 | 7002400 | 3 | Ruuvi | Skruv | Screw | Schraube | Vis |
| 15 | 7400030 | 6 | Aluslaatta | Bricka | Washer | Scheibe | Rondelle |
| 16 | 7400032 | 15 | Aluslaatta | Bricka | Washer | Scheibe | Rondelle |
| 17 | 7400035 | 2 | Aluslaatta | Bricka | Washer | Scheibe | Rondelle |
| 18 | 8034600 | 1 | Syöttömoduli | | Supply module | | |
| 19 | R710396 | 1 | Levy | Plåt | Plate | Blech | Plaque |
| 21 | R710933 | 1 | Kiinnityslista | Fästlist | Fixing list | Leiste | Moulure |
| 22 | R711107 | 1 | Kannatin | Hällare | Holder | Halter | Support |
| 23 | R711108 | 1 | Kiinnitin | Fäste | Holder | Halter | Etrier |

Kuraveitset, CIT
Däckavskrapare, CIT

Mud blade, CIT
Schmutzmesser, CIT

17AM



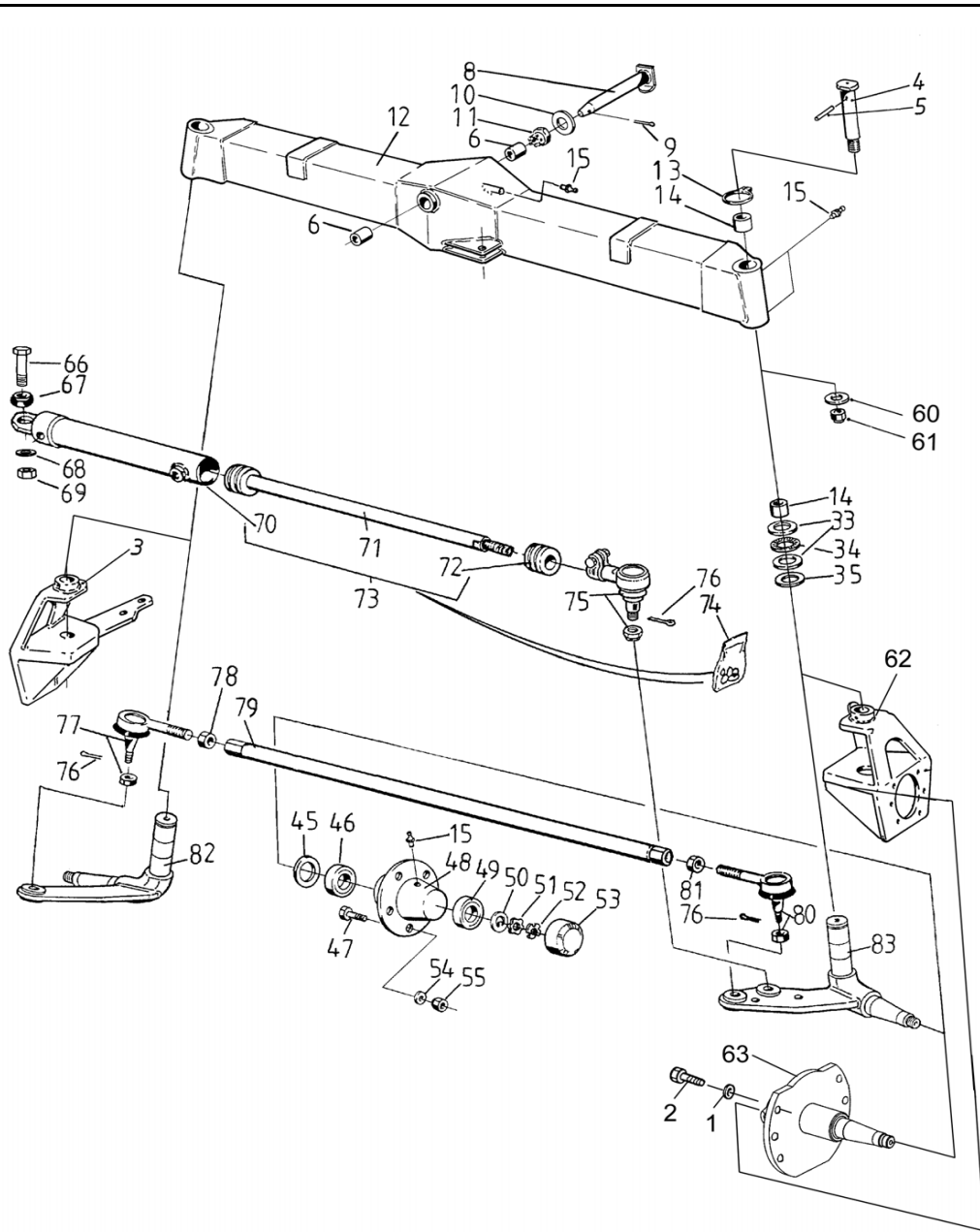
| | | | | | | | |
|----|---------|---|-------------------|---------------|-----------------|----------------|--------------|
| 1 | 6241360 | 6 | Ruuvi | Skruv | Screw | Schraube | Vis |
| 2 | 6594438 | 4 | Mutteri | Mutter | Nut | Mutter | Ecrou |
| 3 | R692315 | 1 | Kiinnitin,oik | Hällare,hö | Holder,right | Halter | Etrier |
| 3 | R692314 | 1 | Kiinnitin,vas | Hällare,vä | Holder,left | Halter | Etrier |
| 4 | 6252367 | 4 | Kuusioruuvi | Skruv | Hexagonal screw | Schraube | Vis |
| 5 | 7400038 | 4 | Aluslaatta | Bricka | Washer | Scheibe | Rondelle |
| 6 | R701448 | 1 | Jatke | Förlängning | Extension | Verlängerung | Rallonge |
| 7 | 6242177 | 2 | Ruuvi | Skruv | Screw | Schraube | Vis |
| 8 | 7400036 | 4 | Aluslaatta | Bricka | Washer | Scheibe | Rondelle |
| 9 | R683359 | 1 | Kuraveitsi,vasen | Kniv, vänster | Knife, LH | Messer, links | Lame, gauche |
| 9 | R683360 | 1 | Kuraveitsi, oikea | Kniv, vänster | Knife, RH | Messer, rechts | Lame, droite |
| 10 | R695374 | 2 | Aluslaatta | Bricka | Washer | Scheibe | Rondelle |

Taka-akseli
Bakaxel

Rear axle
Hinterachse

Essieu arrière

17GD



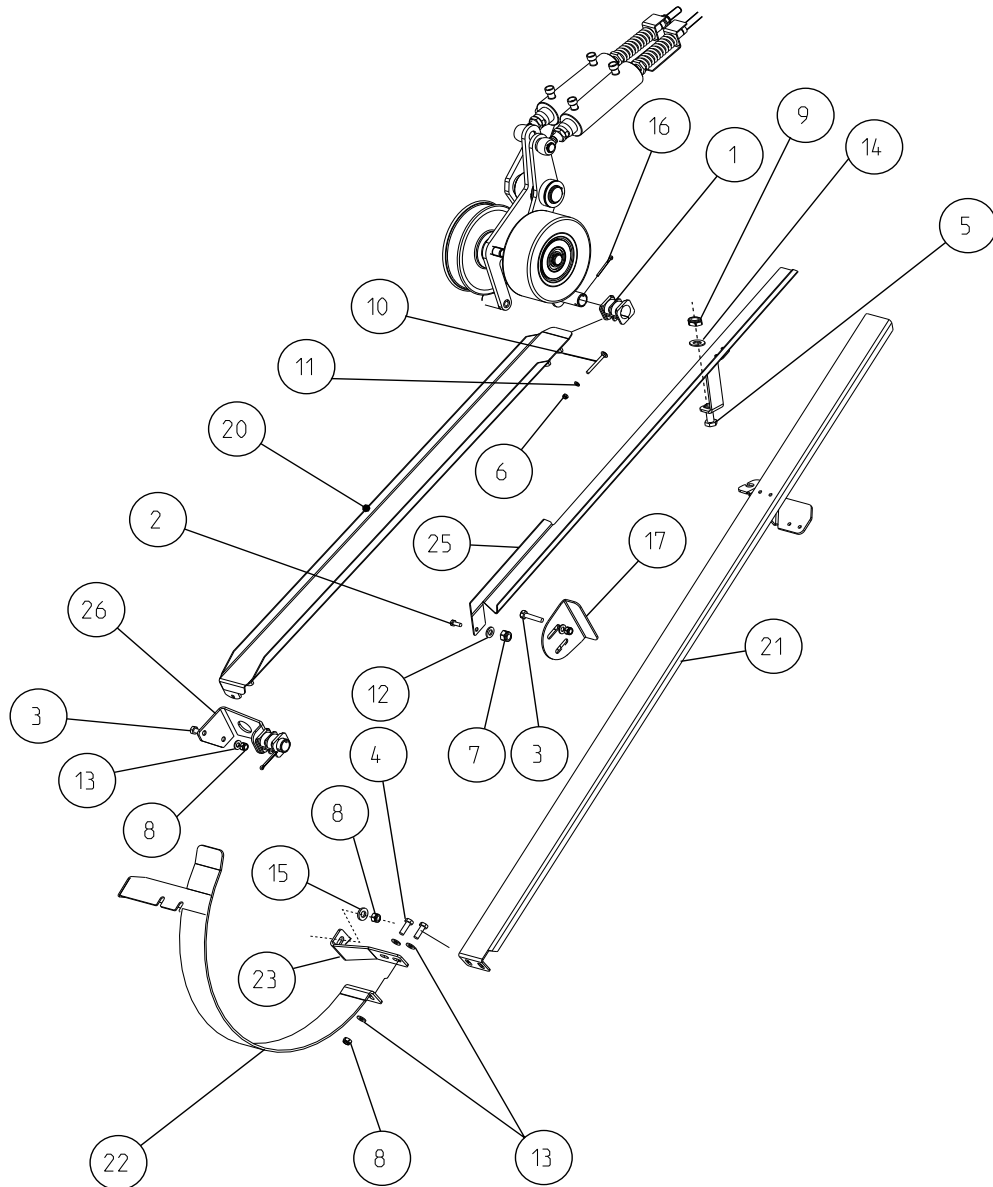
| | | | | | | | | |
|----|---------|---|----|------------------|-----------------|-----------------|-------------------|--------------------|
| 1 | 7414475 | A | 12 | Jousilaatta | Fjäderbricka | Spring washer | Federscheibe | Rondelle élastique |
| 2 | 7004543 | A | 12 | Ruuvi | Skruv | Screw | Schraube | Vis |
| 3 | R696003 | A | 1 | Motor.teline v. | Motorstativ v. | Rack, left | Socket | Support |
| 4 | R692364 | A | 2 | Akseli | Axel | Shaft | Welle | Arbre |
| 5 | 7814235 | A | 2 | Jousisokka | Fjädersprint | Spring pin | Spannstift | Coupille |
| 6 | 0553070 | | 2 | Hölkki | Bussning | Bush | Büchse | Bague |
| 8 | R680971 | | 1 | Tappi | Tapp | Pin | Zapfen | Coupille |
| 9 | 7812258 | | 1 | Saksisokka | Saxpinne | Split pin | Splint | Goupille fendue |
| 10 | 7400044 | | 1 | Aluslaatta | Bricka | Washer | Scheibe | Rondelle |
| 11 | 6537835 | | 1 | Mutteri | Mutter | Nut | Mutter | Ecrou |
| 12 | R696195 | | 1 | Taka-akseli | Bakaxel | Rear axle | Hinterasche | Essieu arrière |
| 13 | 7815038 | | 2 | Varmistinrengas | Låsring | Circlip | Sicherungsring | Circlip |
| 14 | 9581450 | | 6 | Laakeri | Lager | Bearing | Lager | Roulement |
| 15 | 0252420 | | 7 | Nippa | Smörjnippl | Nipple | Graisseur | Nippel |
| 33 | 0554122 | | 4 | Painelevy | Tryckskiva | Plate | Druckscheibe | Plaque |
| 34 | 0554119 | | 2 | Neulalaakeri | Nällager | Bearing | Nadellager | Roulement |
| 35 | R628324 | | 2 | Aluslaatta | Bricka | Washer | Scheibe | Rondelle |
| 45 | R695040 | | 2 | Suojalevy | Skydd | Guard | Schutz | Protecteur |
| 46 | 0480567 | | 2 | Laakeri | Lager | Bearing | Lager | Roulement |
| 47 | 6246760 | | 10 | Ruuvi | Skruv | Screw | Schraube | Vis |
| 48 | R695038 | | 2 | Näpa | Nav | Hub | Nabe | Moyeu |
| 49 | 0480566 | | 2 | Laakeri | Lager | Bearing | Lager | Roulement |
| 50 | 0562027 | | 2 | Aluslaatta | Bricka | Washer | Scheibe | Rondelle |
| 51 | 0562006 | | 2 | Varmistuslaatta | Låsbricka | Security clip | Sich.scheibe | Plaque de sécurité |
| 52 | 0563006 | | 2 | Vetomutteri | Dragmutter | Nut | Abziehmutter | Ecrou |
| 53 | R638582 | | 2 | Polysuoja | Skydd | Cover | Schutz | Protecteur |
| 54 | 7400036 | | 10 | Aluslaatta | Bricka | Washer | Scheibe | Rondelle |
| 55 | 6594438 | | 10 | Mutteri | Mutter | Nut | Mutter | Ecrou |
| 60 | R592186 | A | 2 | Aluslaatta | Bricka | Washer | Scheibe | Rondelle |
| 61 | 6594538 | A | 2 | Mutteri | Mutter | Nut | Mutter | Ecrou |
| 62 | R696004 | A | 1 | Motor.teline o. | Motorstativ hö. | Rack, right | Socket | Support |
| 63 | R701192 | A | 2 | Laippa | Fläns | Flange | Flansch | Flasque |
| 66 | 6252577 | | 1 | Ruuvi | Skruv | Screw | Schraube | Vis |
| 67 | 0493977 | | 1 | Laakeri | Lager | Bearing | Lager | Roulement |
| 68 | 7400038 | | 1 | Aluslaatta | Bricka | Washer | Scheibe | Rondelle |
| 69 | 6594538 | | 1 | Mutteri | Mutter | Nut | Mutter | Ecrou |
| 70 | 0493993 | | 1 | Sylint.putki | Cyl.rör | Cylinder tube | Zylinderrohr | Tube de cyl. |
| 71 | 0493995 | | 1 | Mäntä | Kolv | Piston | Kolben | Piston |
| 72 | 0493996 | | 1 | Pääty | Gavel | Gable | Führungskopf | Pignon |
| 73 | 0493976 | | 1 | Sylinteri | Cylinder | Cylinder | Zylinder | Cylindre |
| 74 | 0493978 | | 1 | Tiivistesarja | Packningssats | Joints gaskets | Dichsatz | Jeu de joints |
| 75 | 0497746 | | 1 | Nivel | Kulled | Joint | Gelenk | Rotule |
| 76 | 7812168 | | 3 | Saksisokka | Saxpinne | Split pin | Splint | Goupille fendue |
| 77 | 0497747 | | 1 | Nivel | Drived | Joint | Gelenk | Joint |
| 78 | 6522130 | | 1 | Mutteri | Mutter | Nut | Mutter | Ecrou |
| 79 | R696013 | | 1 | Raidetanko | Parallellstäg | Rod | Spurstange | Barre |
| 80 | 0497748 | | 1 | Nivel | Kulled | Joint | Gelenk | Rotule |
| 81 | 6522131 | | 1 | Mutteri, vas. k. | Mutter, v.h. | Nut, l.h. | Mutter, l.h. | Ecrou, m.g. |
| 82 | R696156 | | 1 | Olka-akseli oik. | Axelskänkel hö. | Stub axle right | Achschenkel re. | Fusée droit |
| 83 | R696155 | | 1 | Olka-akseli vas. | Axelskänkel vä. | Stub axle left | Achschenkel links | Fusée gauche |
| A | | | | 550 renkaalla | 550 däck | 550 tyre | 550 Reifen | 550 pneu |

Kytkenän tuenta
Kopplingens stöd

Supports of engage
Stützt

Support de l'enclenchement

18BE



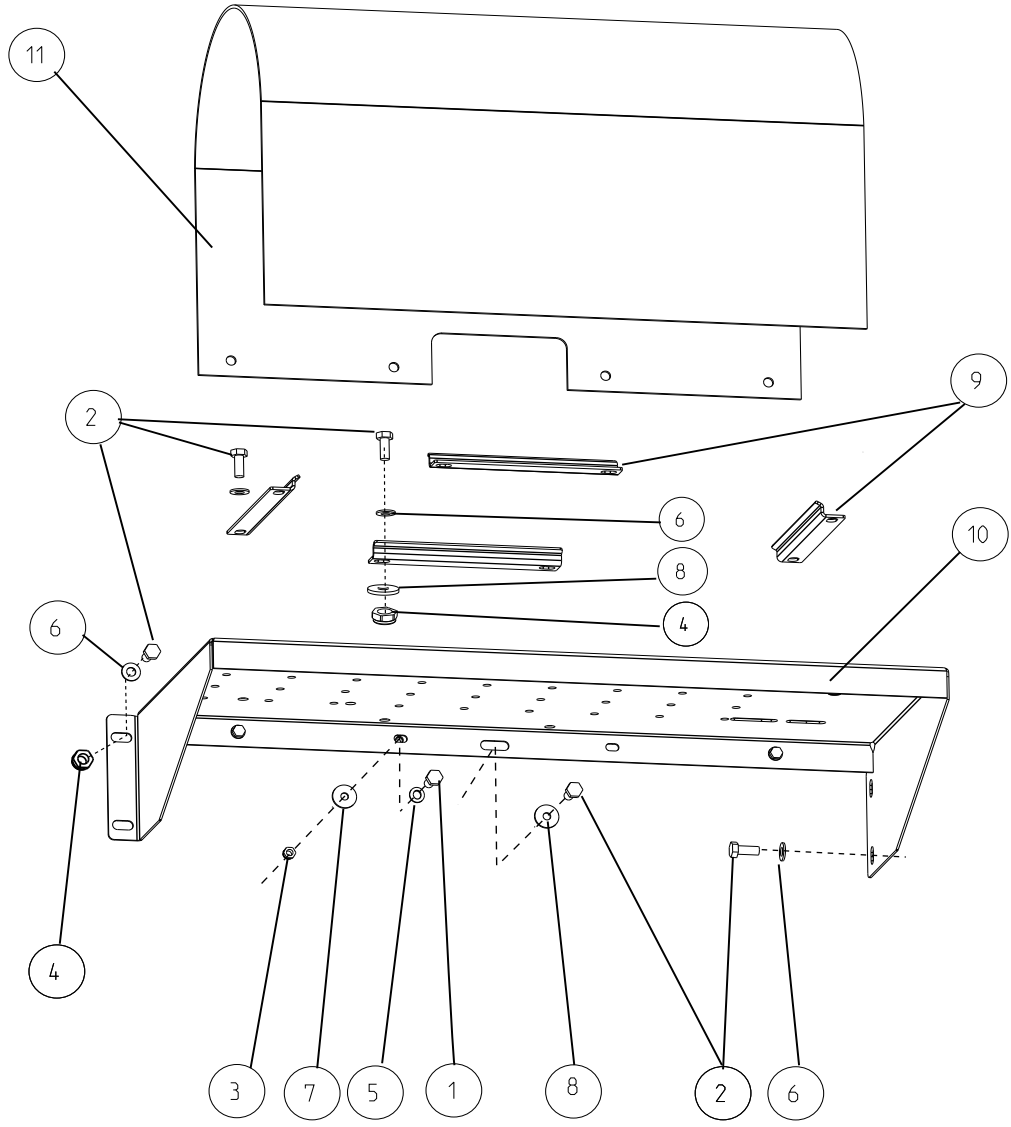
| | | | | | | | |
|----|---------|---|--------------|-----------|-----------|--------------|------------------|
| 1 | 0552091 | 2 | Laakeri | Lager | Bearing | Lager | Roulement |
| 2 | 6211067 | 1 | Ruuvi | Skruv | Screw | Schraube | Vis |
| 3 | 6221267 | 4 | Ruuvi | Skruv | Screw | Schraube | Vis |
| 4 | 6221467 | 2 | Ruuvi | Skruv | Screw | Schraube | Vis |
| 5 | 6231167 | 1 | Ruuvi | Skruv | Screw | Schraube | Vis |
| 6 | 6593738 | 2 | Mutteri | Mutter | Nut | Mutter | Ecrou |
| 7 | 6593838 | 1 | Lukkomutteri | Låsmutter | Lock nut | Sich. Mutter | Ecrou de serrage |
| 8 | 6594038 | 8 | Lukkomutteri | Låsmutter | Lock nut | Sich. Mutter | Ecrou de serrage |
| 9 | 6594238 | 1 | Lukkomutteri | Låsmutter | Lock nut | Sich. Mutter | Ecrou de serrage |
| 10 | 6754744 | 2 | Ruuvi | Skruv | Screw | Schraube | Vis |
| 11 | 7400029 | 2 | Aluslaatta | Bricka | Washer | Scheibe | Rondelle |
| 12 | 7400030 | 1 | Aluslaatta | Bricka | Washer | Scheibe | Rondelle |
| 13 | 7400032 | 8 | Aluslaatta | Bricka | Washer | Scheibe | Rondelle |
| 14 | 7400034 | 1 | Aluslaatta | Bricka | Washer | Scheibe | Rondelle |
| 15 | 7414057 | 2 | Aluslaatta | Bricka | Washer | Scheibe | Rondelle |
| 16 | 7812162 | 2 | Saksisokka | Saxpinne | Split pin | Splint | Goupille fendue |
| 17 | R697172 | 1 | Tuki | Stöd | Support | Stütze | Support |
| 20 | R710171 | 1 | Kannatin | Hällare | Holder | Halter | Support |
| 21 | R710401 | 1 | Kannatin | Hällare | Holder | Halter | Support |
| 22 | R710402 | 1 | Kaari | Båge | Segment | Stange | Courbe |
| 23 | R710403 | 1 | Alatuki | Stag | Support | Stütze | Support |
| 25 | R710863 | 1 | Tuki | Stöd | Support | Stütze | Support |
| 26 | R710887 | 1 | Kannatin | Hällare | Holder | Halter | Support |

Akkuteline
Batteri stativ

Battery holder
Batteriestell

19AC

Support de batterie



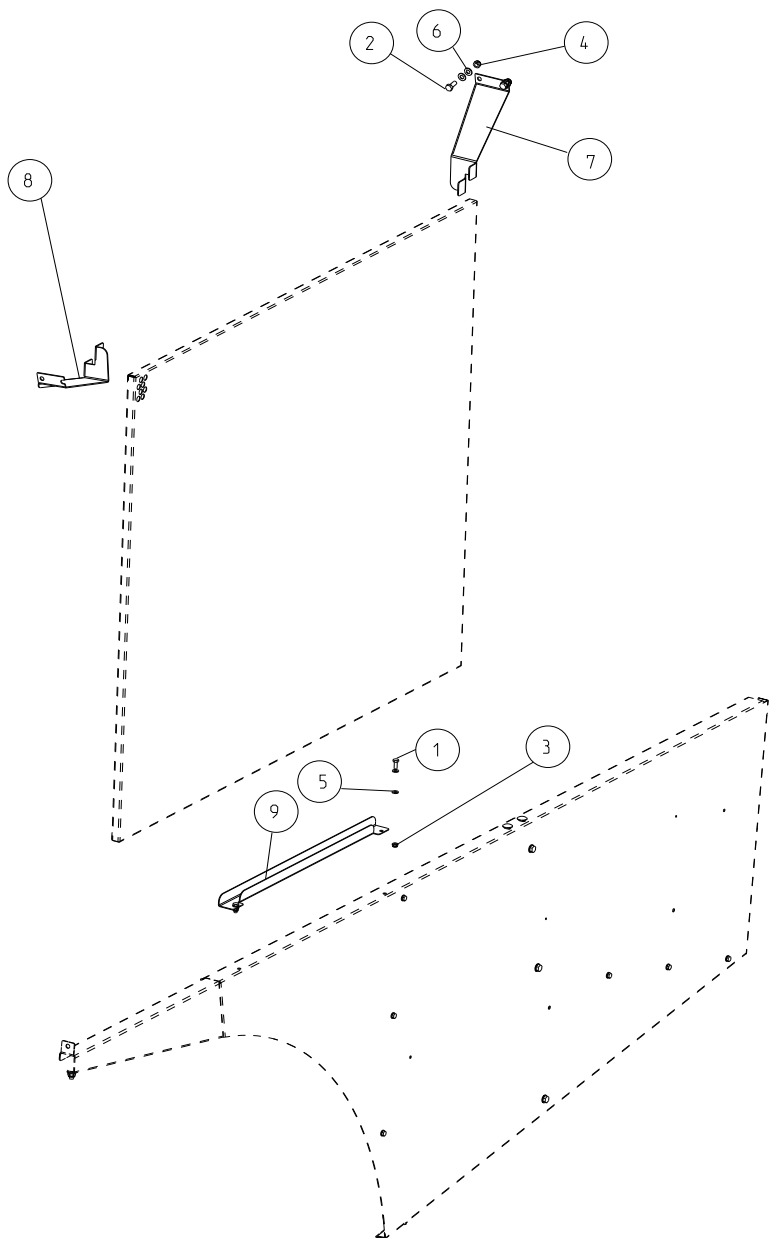
| | | | | | | | |
|----|---------|----|--------------|-----------------|-------------------|------------------|----------------------|
| 1 | 6211467 | 4 | Ruuvi | Skruv | Screw | Schraube | Vis |
| 2 | 6221267 | 13 | Ruuvi | Skruv | Screw | Schraube | Vis |
| 3 | 6593838 | 4 | Lukkumutteri | Låsmutter | Lock nut | Sich. Mutter | Ecrou de serrage |
| 4 | 6594038 | 8 | Lukkumutteri | Låsmutter | Lock nut | Sich. Mutter | Ecrou de serrage |
| 5 | 7400030 | 4 | Aluslaatta | Bricka | Washer | Scheibe | Rondelle |
| 6 | 7400032 | 16 | Aluslaatta | Bricka | Washer | Scheibe | Rondelle |
| 7 | 7414055 | 4 | Aluslaatta | Bricka | Washer | Scheibe | Rondelle |
| 8 | 7414057 | 5 | Aluslaatta | Bricka | Washer | Scheibe | Rondelle |
| 9 | R621499 | 4 | Kiinnitin | Fäste | Fastening | Klemme | Etrier |
| 10 | R710802 | 1 | Teline | Stativ | Rack | Socket | Pied |
| 11 | R710803 | 1 | Suojäkumi | Skyddande gummi | Protective rubber | Gummischutzhülle | De protection en cao |

Reikäseulan säilytysteline
Stativ för såll

Rack for sieve
Sockel, sieb

19BK

Pied, Grille



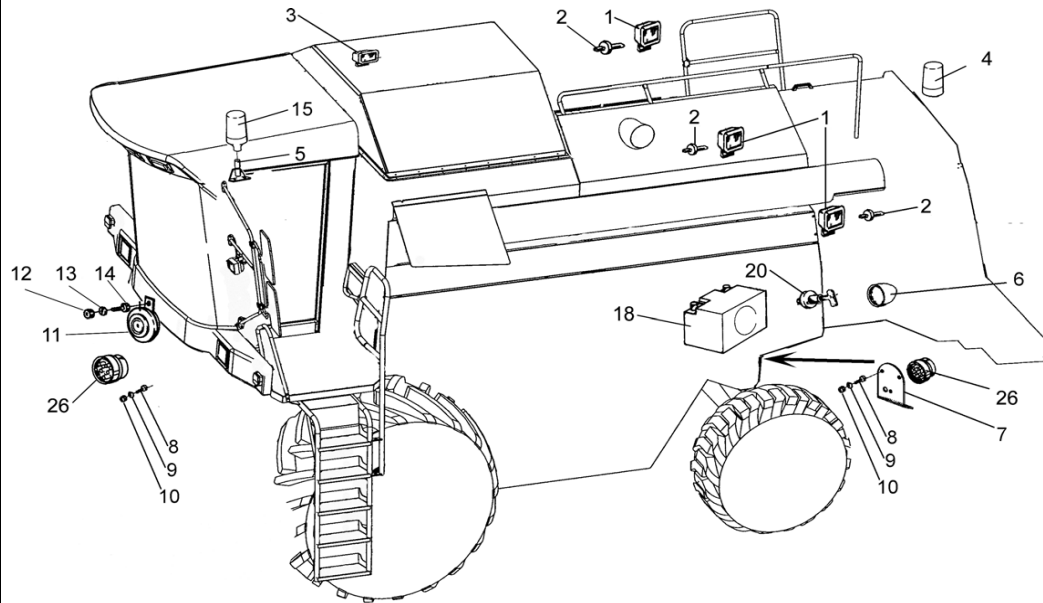
| | | | | | | | |
|---|---------|---|------------------|------------|---------------|----------------|------------------|
| 1 | 6211067 | 2 | Ruuvi | Skruv | Screw | Schraube | Vis |
| 2 | 6221267 | 2 | Ruuvi | Skruv | Screw | Schraube | Vis |
| 3 | 6593838 | 2 | Lukkomutteri | Låsmutter | Lock nut | Sich. Mutter | Ecrou de serrage |
| 4 | 6594038 | 2 | Lukkomutteri | Låsmutter | Lock nut | Sich. Mutter | Ecrou de serrage |
| 5 | 7400030 | 4 | Aluslaatta | Bricka | Washer | Scheibe | Rondelle |
| 6 | 7400032 | 4 | Aluslaatta | Bricka | Washer | Scheibe | Rondelle |
| 7 | R712886 | 1 | Tuki etumm. | Stöd, fram | Support front | Stütze, vorder | Support, avant |
| 8 | R712887 | 1 | Tuki takimmainen | Stöd, bak | Support, rear | Stütze | Support |
| 9 | R712888 | 1 | Kannatin | Hållare | Holder | Halter | Support |

Sähkölaitteet
Elapparatur

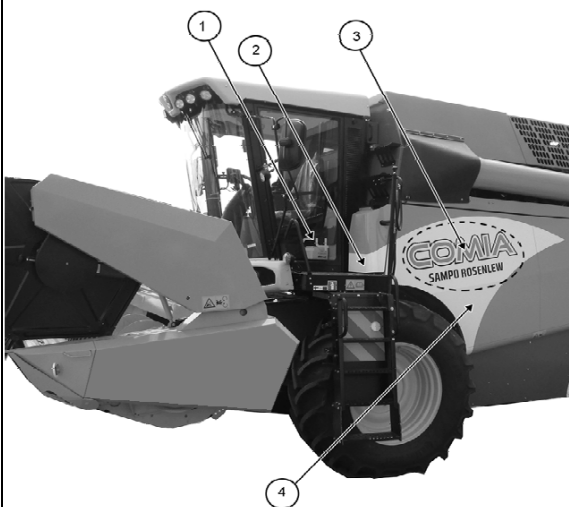
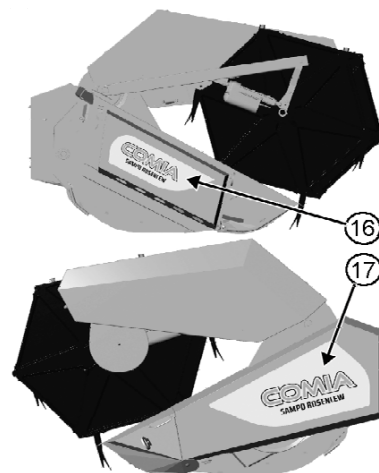
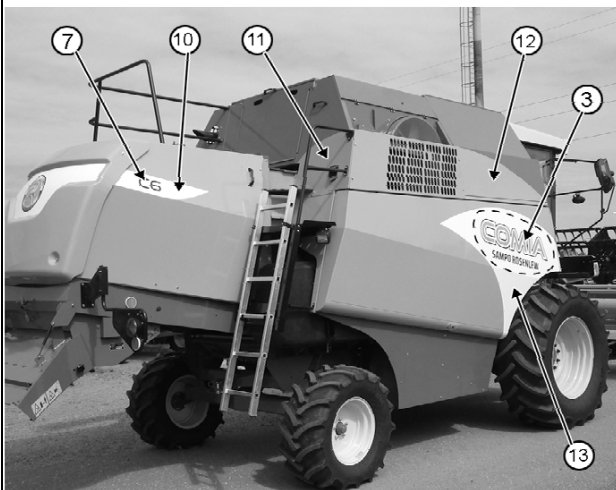
Electrical eq.
Elektrische an.

20BD

Instruments électriques



| | | | | | | | | |
|----|---------|--------|---|----------------|--------------|---------------|--------------|--------------------|
| 1 | 8500435 | | 3 | Työvalo | Arbetslampa | Search light | Arb.Scheinw. | Phare de travail |
| 2 | 8035083 | | 3 | Lamppu | Lampa | Bulb | Lampe | Lampe |
| 3 | R711284 | | 1 | Työvalo | Arbetslampa | Search light | Arb.Scheinw. | Phare de travail |
| 4 | 8055523 | | 1 | Vilkku | Blink | Flasher | Blinkleuche | Clignotant |
| 5 | R687009 | | 1 | Tuki | Stöd | Support | Stütze | Support |
| 6 | 8080044 | | 1 | Valonheitin | Strålkastare | Headlight | Lampe | Lampe |
| 7 | R687014 | | 1 | Kiinnitin | Fäste | Holder | Halter | Etrier |
| 8 | 6065414 | | 6 | Ruuvi | Skruv | Screw | Schraube | Vis |
| 9 | 7414254 | | 6 | Aluslaatta | Bricka | Washer | Scheibe | Rondelle |
| 10 | 6505814 | | 6 | Mutteri | Mutter | Nut | Mutter | Ecrou |
| 11 | 8094918 | | 1 | Äänitorvi | Signalhorn | Horn | Signalhorn | Klaxon |
| 12 | 6506034 | | 1 | Mutteri | Mutter | Nut | Mutter | Ecrou |
| 13 | 7414469 | | 1 | Jousilaatta | Fjäderbricka | Spring washer | Federscheibe | Rondelle élastique |
| 14 | 6211467 | | 1 | Ruuvi | Skruv | Screw | Schraube | Vis |
| 15 | 8055518 | | 1 | Vilkku | Blink | Flasher | Blinkleuche | Clignotant |
| 18 | 0450064 | 170 Ah | 1 | Äkku | Äkku | Battery | Batterie | Bateria |
| 20 | 8033666 | | 1 | Päävirtäkytkin | Strömbrytare | Main switch | Schalter | Commutateur |
| 26 | 8055560 | | 2 | Pistorasia | Stickdosa | Wall socket | Steckdose | Fiche femelle |



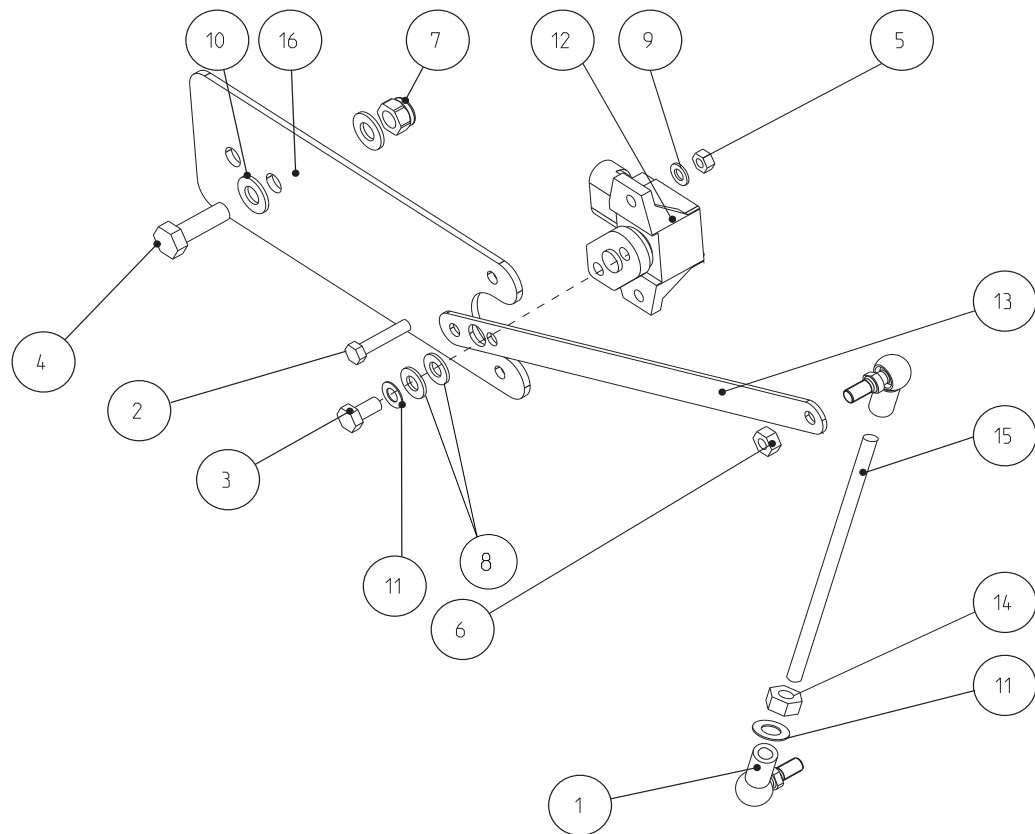
| | | | | | | | | |
|----|---------|--------|---|-------|-------|----------|-----------|----------|
| 1 | R712610 | C4 | 2 | Tarra | Dekal | Transfer | Aufkleber | Décalque |
| 1 | R712612 | C6 | 2 | Tarra | Dekal | Transfer | Aufkleber | Décalque |
| 1 | R712616 | C8 | 2 | Tarra | Dekal | Transfer | Aufkleber | Décalque |
| 2 | R712609 | C4, C6 | 1 | Tarra | Dekal | Transfer | Aufkleber | Décalque |
| 2 | R712619 | C8 | 1 | Tarra | Dekal | Transfer | Aufkleber | Décalque |
| 3 | R712642 | | 3 | Tarra | Dekal | Transfer | Aufkleber | Décalque |
| 4 | R712606 | C4, C6 | 1 | Tarra | Dekal | Transfer | Aufkleber | Décalque |
| 4 | R712614 | C8 | 1 | Tarra | Dekal | Transfer | Aufkleber | Décalque |
| 5 | R711253 | | 1 | Tarra | Dekal | Transfer | Aufkleber | Décalque |
| 6 | R712638 | | 1 | Tarra | Dekal | Transfer | Aufkleber | Décalque |
| 7 | R712611 | C4 | 2 | Tarra | Dekal | Transfer | Aufkleber | Décalque |
| 7 | R712613 | C6 | 2 | Tarra | Dekal | Transfer | Aufkleber | Décalque |
| 7 | R712617 | C8 | 2 | Tarra | Dekal | Transfer | Aufkleber | Décalque |
| 8 | R712645 | | 1 | Tarra | Dekal | Transfer | Aufkleber | Décalque |
| 9 | R712644 | | 1 | Tarra | Dekal | Transfer | Aufkleber | Décalque |
| 10 | R712639 | | 1 | Tarra | Dekal | Transfer | Aufkleber | Décalque |
| 11 | R711254 | | 1 | Tarra | Dekal | Transfer | Aufkleber | Décalque |
| 12 | R711280 | C4, C6 | 1 | Tarra | Dekal | Transfer | Aufkleber | Décalque |
| 12 | R711279 | C8 | 1 | Tarra | Dekal | Transfer | Aufkleber | Décalque |
| 13 | R712607 | C4, C6 | 1 | Tarra | Dekal | Transfer | Aufkleber | Décalque |
| 13 | R712615 | C8 | 1 | Tarra | Dekal | Transfer | Aufkleber | Décalque |
| 14 | R712608 | C4, C6 | 1 | Tarra | Dekal | Transfer | Aufkleber | Décalque |
| 14 | R712618 | C8 | 1 | Tarra | Dekal | Transfer | Aufkleber | Décalque |
| 15 | R712643 | | 1 | Tarra | Dekal | Transfer | Aufkleber | Décalque |
| 16 | R712981 | | 1 | Tarra | Dekal | Transfer | Aufkleber | Décalque |
| 17 | R712980 | | 1 | Tarra | Dekal | Transfer | Aufkleber | Décalque |

Korkeudensäätö
Vertikan lustering

Vertical adjustment
Verst. vertical

24DL

Régl. hauteur



| | | | | | | | |
|----|---------|---|--------------|--------------|-----------------|----------------|---------------------|
| 1 | 0497739 | 2 | Pallonivel | Kulled | Joint | Gelenk | Rotule |
| 2 | 6206267 | 2 | Kuusioruuvi | Skruv | Hexagonal screw | Schraube | Vis |
| 3 | 6210667 | 2 | Ruuvi | Skruv | Screw | Schraube | Vis |
| 4 | 6221460 | 2 | Ruuvi | Skruv | Screw | Schraube | Vis |
| 5 | 6505814 | 2 | Mutteri | Mutter | Nut | Mutter | Ecrou |
| 6 | 6593838 | 2 | Lukkomutteri | Låsmutter | Lock nut | Sich. Mutter | Ecrou de serrage |
| 7 | 6594048 | 2 | Lukkomutteri | Låsmutter | Lock nut | Sich. Mutter | Ecrou de serrage |
| 8 | 7400030 | 4 | Aluslaatta | Bricka | Washer | Scheibe | Rondelle |
| 9 | 7400029 | 2 | Aluslaatta | Bricka | Washer | Scheibe | Rondelle |
| 10 | 7400032 | 2 | Aluslaatta | Bricka | Washer | Scheibe | Rondelle |
| 11 | 7414465 | 3 | Jousilaattia | Fjäderbricka | Spring washer | Federscheibe | Rondelle élastique |
| 12 | 8080501 | 1 | Säätölaite | Regl.anordn. | Setting device | Regelanordnung | Appareil de réglage |
| 13 | R699529 | 1 | Välitanko | Mellanstång | Interm.lever | Stange | Tige |
| 14 | 6506034 | 1 | Mutteri | Mutter | Nut | Mutter | Ecrou |
| 15 | R702118 | 1 | Tanko | Stång | Rod | Hebel | Tige |
| 16 | R705766 | 1 | Levy | Plåt | Plate | Blech | Plaque |

| Tilaus n:o Order nr. Order nr. Order nr. Commande | Sivu Sida Page Seite Page | Viite Ref. Ref. Pos. Pos. | Tilaus n:o Order nr. Order nr. Order nr. Commande | Sivu Sida Page Seite Page | Viite Ref. Ref. Pos. Pos. | Tilaus n:o Order nr. Order nr. Order nr. Commande | Sivu Sida Page Seite Page | Viite Ref. Ref. Pos. Pos. | Tilaus n:o Order nr. Order nr. Order nr. Commande | Sivu Sida Page Seite Page | Viite Ref. Ref. Pos. Pos. |
|---|---------------------------------------|---------------------------------------|---|---------------------------------------|---------------------------------------|---|---------------------------------------|---------------------------------------|---|---------------------------------------|---------------------------------------|
| 0615190 | 23AC | 41 | 0621148 | 15DDB | 6 | 0629099 | 20AB | 1 | 0629626 | 15DE | 12 |
| 0619041 | 21BJ | 31 | 0621148 | 15DE | 6 | 0629134 | 15DF | 10 | 0629626 | 15DF | 12 |
| 0619041 | 23AB | 28 | 0621153 | 15HB | 3 | 0629136 | 15DF | 41 | 0629628 | 15DC | 6 |
| 0619044 | 21BJ | 31 | 0621160 | 15FB | 2 | 0629190 | 15DA | 2 | 0629628 | 15JH | 5 |
| 0619062 | 21BJ | 25 | 0621161 | 15FB | 4 | 0629190 | 15DB | 2 | 0629633 | 15DC | 7 |
| 0619077 | 21BJ | 33 | 0621168 | 15DF | 6 | 0629190 | 15DC | 4 | 0629634 | 18AB | 4 |
| 0619085 | 21BJ | 18 | 0621170 | 14FD | 31 | 0629191 | 15DC | 5 | 0629636 | 15JF | 17 |
| 0619087 | 18CC | 5 | 0621171 | 14FD | 32 | 0629295 | 12SG | 3 | 0629680 | 15DF | 49 |
| 0619087 | 21BJ | 8 | 0628111 | 12SA | 4 | 0629305 | 18CB | 11 | 0629760 | 18EB | 40 |
| 0619088 | 21BJ | 18 | 0628111 | 12SA | 5 | 0629309 | 12RB | 20 | 0633251 | 18CB | 14 |
| 0619089 | 12PFA | 7 | 0628111 | 12SC | 3 | 0629309 | 18CB | 12 | 0633395 | 23AC | 26 |
| 0619090 | 21BJ | 6 | 0628113 | 12SE | 2 | 0629312 | 18AD | 2 | 0633567 | 12MB | 18 |
| 0619191 | 21BJ | 32 | 0628114 | 12SC | 6 | 0629355 | 18DB | 2 | 0633567 | 13DO | 35 |
| 0619192 | 21BJ | 27 | 0628115 | 12SE | 3 | 0629360 | 17GJ | 85 | 0633637 | 14FD | 7 |
| 0620467 | 18EB | 11 | 0628124 | 12SA | 7 | 0629360 | 18DB | 3 | 0633637 | 25AK | 2 |
| 0620468 | 18EB | 12 | 0628125 | 12SA | 9 | 0629361 | 17FF | 6 | 0633641 | 14AFC | 25 |
| 0620469 | 18EB | 15 | 0628125 | 12SC | 8 | 0629364 | 18CB | 13 | 0633644 | 15BA | 52 |
| 0620470 | 18EB | 16 | 0628127 | 12SE | 4 | 0629367 | 15JF | 14 | 0633657 | 11EE | 21 |
| 0620471 | 18EB | 17 | 0629035 | 15DH | 1 | 0629370 | 17HD | 8 | 0633657 | 11EG | 2 |
| 0620472 | 18EB | 18 | 0629035 | 15DI | 2 | 0629372 | 18AB | 23 | 0633657 | 15AB | 4 |
| 0620473 | 18EB | 19 | 0629039 | 15JF | 13 | 0629378 | 18BB | 11 | 0633657 | 19BF | 1 |
| 0620474 | 18BF | 6 | 0629039 | 15JH | 3 | 0629378 | 18BBA | 33 | 0633657 | 19BI | 3 |
| 0620475 | 18BF | 7 | 0629040 | 15DH | 2 | 0629379 | 18BB | 12 | 0633657 | 19BJ | 3 |
| 0620476 | 18BF | 8 | 0629040 | 15DI | 3 | 0629379 | 18BBA | 36 | 0633658 | 11LB | 58 |
| 0620477 | 18BF | 11 | 0629044 | 14FB | 18 | 0629395 | 18EB | 35 | 0633658 | 19BC | 1 |
| 0620478 | 18BF | 13 | 0629044 | 15DC | 3 | 0629396 | 18EB | 36 | 0633658 | 19BI | 4 |
| 0620479 | 18EB | 20 | 0629044 | 15DH | 3 | 0629418 | 17EB | 26 | 0633658 | 19BJ | 4 |
| 0620480 | 18EB | 19 | 0629054 | 15DF | 50 | 0629419 | 17HD | 43 | 0633658 | 19CD | 3 |
| 0620481 | 18EB | 16 | 0629054 | 15DI | 4 | 0629419 | 18BF | 32 | 0633666 | 14BC | 7 |
| 0620482 | 17HD | 28 | 0629054 | 18AB | 2 | 0629423 | 15JH | 4 | 0633670 | 14EB | 4 |
| 0620483 | 17HD | 11 | 0629055 | 15DE | 7 | 0629424 | 11LD | 61 | 0633670 | 19BA | 1 |
| 0620484 | 18EB | 21 | 0629055 | 15DF | 7 | 0629424 | 11LE | 61 | 0633670 | 19BB | 1 |
| 0620485 | 18EB | 21 | 0629055 | 15DF | 44 | 0629424 | 11LF | 61 | 0633670 | 19BF | 2 |
| 0620486 | 12RB | 15 | 0629055 | 15HB | 4 | 0629424 | 11LG | 61 | 0633671 | 11PJ | 60 |
| 0620487 | 12RB | 16 | 0629055 | 15HC | 6 | 0629424 | 11LH | 61 | 0633671 | 12NB | 2 |
| 0620488 | 12RB | 17 | 0629060 | 14BC | 6 | 0629424 | 11LJ | 61 | 0633671 | 14AB | 2 |
| 0620489 | 12RB | 18 | 0629060 | 15DDA | 7 | 0629424 | 11MC | 61 | 0633671 | 14EB | 5 |
| 0620490 | 12RB | 19 | 0629065 | 15DDA | 8 | 0629424 | 11MD | 61 | 0633671 | 14FB | 20 |
| 0620513 | 18BF | 15 | 0629065 | 15DDB | 7 | 0629424 | 11ME | 61 | 0633671 | 14FD | 8 |
| 0620542 | 17EB | 46 | 0629065 | 15DE | 8 | 0629424 | 11MF | 61 | 0633671 | 19BC | 2 |
| 0620565 | 17EB | 42 | 0629065 | 15DF | 8 | 0629424 | 11MG | 61 | 0633674 | 15BA | 9 |
| 0620586 | 18EB | 22 | 0629068 | 15DDA | 9 | 0629424 | 11MJ | 61 | 0633676 | 15FB | 7 |
| 0620593 | 18EB | 24 | 0629068 | 15DDB | 8 | 0629424 | 17EB | 15 | 0633701 | 19BB | 2 |
| 0620598 | 18EB | 25 | 0629068 | 15DE | 9 | 0629425 | 12RB | 21 | 0633702 | 19BB | 3 |
| 0620802 | 18EB | 26 | 0629068 | 15DF | 9 | 0629427 | 17EB | 43 | 0633703 | 19BA | 20 |
| 0620805 | 18EB | 27 | 0629069 | 15DDA | 10 | 0629427 | 18BF | 33 | 0633704 | 19BA | 21 |
| 0620859 | 18EB | 28 | 0629069 | 15DDB | 9 | 0629427 | 18EB | 37 | 0633705 | 19BG | 4 |
| 0620869 | 18EB | 29 | 0629069 | 15DE | 10 | 0629428 | 17EB | 35 | 0633707 | 14AH | 19 |
| 0620873 | 18EB | 31 | 0629069 | 15HB | 5 | 0629428 | 18EB | 38 | 0633708 | 14AG | 2 |
| 0620878 | 18EB | 32 | 0629072 | 15DDB | 10 | 0629438 | 17HD | 44 | 0633715 | 14AG | 3 |
| 0620989 | 15DDA | 2 | 0629072 | 15DE | 11 | 0629444 | 18DB | 4 | 0633716 | 14AG | 4 |
| 0620996 | 15DDB | 3 | 0629072 | 15DF | 11 | 0629445 | 11PG | 90 | 0633750 | 14AH | 21 |
| 0620996 | 15DE | 3 | 0629074 | 15HC | 7 | 0629445 | 17EB | 57 | 0633822 | 12KB | 21 |
| 0620996 | 15DF | 3 | 0629076 | 15HB | 6 | 0629445 | 18DB | 5 | 0633822 | 12KC | 21 |
| 0621116 | 15DF | 40 | 0629076 | 15HC | 8 | 0629446 | 17EB | 25 | 0633822 | 12LB | 18 |
| 0621121 | 15DDB | 4 | 0629089 | 12SC | 10 | 0629446 | 18EB | 39 | 0633822 | 12LK | 18 |
| 0621121 | 15DE | 4 | 0629089 | 12SE | 5 | 0629449 | 17HD | 2 | 0633832 | 13FB | 40 |
| 0621124 | 15DDB | 5 | 0629093 | 12AC | 48 | 0629449 | 18BF | 17 | 0633832 | 13FC | 40 |
| 0621124 | 15DE | 5 | 0629093 | 12SA | 11 | 0629458 | 15JF | 15 | 0633833 | 13FB | 23 |
| 0621126 | 15HC | 5 | 0629093 | 15FB | 5 | 0629459 | 17HD | 49 | 0633833 | 13FC | 23 |
| 0621127 | 15DF | 5 | 0629093 | 18EC | 5 | 0629459 | 18BF | 34 | 0633834 | 14AD | 2 |
| 0621131 | 15DDA | 3 | 0629094 | 14AG | 1 | 0629485 | 15DDA | 11 | 0633837 | 11LD | 44 |
| 0621132 | 15DDA | 4 | 0629094 | 15FB | 6 | 0629486 | 15DDA | 12 | 0633837 | 11LE | 44 |
| 0621133 | 15DDA | 5 | 0629098 | 14EC | 1 | 0629495 | 15JF | 16 | 0633837 | 11LF | 44 |
| 0621147 | 15DDA | 6 | 0629098 | 18AB | 3 | 0629626 | 15DDB | 11 | 0633837 | 11LG | 44 |

| Tilaus n:o Order nr. Order nr. Order nr. Commande | Sivu Sida Page Seite Page | Viite Ref. Ref. Pos. Pos. | Tilaus n:o Order nr. Order nr. Order nr. Commande | Sivu Sida Page Seite Page | Viite Ref. Ref. Pos. Pos. | Tilaus n:o Order nr. Order nr. Order nr. Commande | Sivu Sida Page Seite Page | Viite Ref. Ref. Pos. Pos. | Tilaus n:o Order nr. Order nr. Order nr. Commande | Sivu Sida Page Seite Page | Viite Ref. Ref. Pos. Pos. |
|---|---------------------------------------|---------------------------------------|---|---------------------------------------|---------------------------------------|---|---------------------------------------|---------------------------------------|---|---------------------------------------|---------------------------------------|
| 7414288 | 11LB | 74 | 7414469 | 14AD | 7 | 7414471 | 18CC | 15 | 7659074 | 13FC | 31 |
| 7414379 | 12RH | 16 | 7414469 | 14AH | 11 | 7414471 | 18EC | 26 | 7699434 | 13DO | 28 |
| 7414383 | 12RF | 27 | 7414469 | 14BE | 23 | 7414471 | 19AE | 12 | 7712050 | 13EC | 24 |
| 7414384 | 14AG | 17 | 7414469 | 15BD | 30 | 7414471 | 23AB | 69 | 7712110 | 11LD | 11 |
| 7414384 | 14AH | 10 | 7414469 | 15FC | 10 | 7414471 | 24DA | 20 | 7712110 | 11LE | 11 |
| 7414385 | 12RF | 26 | 7414469 | 17AF | 30 | 7414473 | 11FC | 39 | 7712110 | 11LF | 11 |
| 7414463 | 14EDD | 7 | 7414469 | 18AB | 28 | 7414473 | 11LD | 5 | 7712110 | 11LG | 11 |
| 7414465 | 11LB | 41 | 7414469 | 18EC | 25 | 7414473 | 11LE | 8 | 7712110 | 11LH | 11 |
| 7414465 | 11NB | 3 | 7414469 | 19AA | 11 | 7414473 | 11LF | 8 | 7712110 | 11LJ | 11 |
| 7414465 | 11NG | 26 | 7414469 | 19AE | 2 | 7414473 | 11LG | 8 | 7712110 | 11MC | 11 |
| 7414465 | 11NH | 26 | 7414469 | 19BB | 18 | 7414473 | 11LH | 8 | 7712110 | 11MD | 11 |
| 7414465 | 11NJ | 26 | 7414469 | 19BG | 16 | 7414473 | 11LJ | 8 | 7712110 | 11ME | 11 |
| 7414465 | 11NK | 26 | 7414469 | 19CD | 21 | 7414473 | 11MC | 5 | 7712110 | 11MF | 11 |
| 7414465 | 11NL | 26 | 7414469 | 20AB | 18 | 7414473 | 11MD | 8 | 7712110 | 11MG | 11 |
| 7414465 | 11NM | 26 | 7414469 | 20AG | 9 | 7414473 | 11ME | 8 | 7712110 | 11MJ | 11 |
| 7414465 | 11PC | 3 | 7414469 | 20BD | 13 | 7414473 | 11MF | 8 | 7712112 | 11RB | 40 |
| 7414465 | 12BD | 16 | 7414469 | 23AC | 13 | 7414473 | 11MG | 8 | 7712112 | 11RE | 40 |
| 7414465 | 12DF | 16 | 7414469 | 24DA | 19 | 7414473 | 11MJ | 8 | 7712112 | 12JB | 18 |
| 7414465 | 12HP | 28 | 7414471 | 11BB | 11 | 7414473 | 11NH | 39 | 7712113 | 12PD | 60 |
| 7414465 | 12JC | 3 | 7414471 | 11BF | 11 | 7414473 | 11NJ | 39 | 7712120 | 12FC | 18 |
| 7414465 | 12MB | 21 | 7414471 | 11CF | 60 | 7414473 | 11NK | 39 | 7712120 | 17BB | 19 |
| 7414465 | 13DO | 8 | 7414471 | 11CG | 60 | 7414473 | 11NL | 39 | 7712215 | 11RC | 40 |
| 7414465 | 14AD | 12 | 7414471 | 11CH | 60 | 7414473 | 11NM | 39 | 7712215 | 11RK | 40 |
| 7414465 | 14AG | 18 | 7414471 | 11CJ | 60 | 7414473 | 11PJ | 33 | 7712215 | 23AB | 40 |
| 7414465 | 23AC | 22 | 7414471 | 11CK | 60 | 7414473 | 12AB | 25 | 7712220 | 12CE | 5 |
| 7414465 | 24AC | 5 | 7414471 | 11CL | 60 | 7414473 | 12CE | 9 | 7712220 | 12CG | 7 |
| 7414465 | 24DL | 11 | 7414471 | 11HB | 60 | 7414473 | 12CG | 9 | 7716115 | 12HO | 9 |
| 7414469 | 11CF | 16 | 7414471 | 11LB | 31 | 7414473 | 12EF | 44 | 7716115 | 13AD | 40 |
| 7414469 | 11CG | 16 | 7414471 | 11LD | 15 | 7414473 | 12EG | 44 | 7716117 | 13CC | 29 |
| 7414469 | 11CH | 16 | 7414471 | 11MC | 15 | 7414473 | 12EP | 44 | 7716117 | 15BA | 24 |
| 7414469 | 11CJ | 16 | 7414471 | 11NG | 51 | 7414473 | 12ER | 44 | 7716128 | 11NG | 50 |
| 7414469 | 11CK | 16 | 7414471 | 11PJ | 67 | 7414473 | 12JB | 53 | 7716128 | 11NH | 49 |
| 7414469 | 11CL | 16 | 7414471 | 11RC | 69 | 7414473 | 12LK | 24 | 7716128 | 11NJ | 49 |
| 7414469 | 11EG | 17 | 7414471 | 11RK | 69 | 7414473 | 12NB | 24 | 7716128 | 11NK | 49 |
| 7414469 | 11EJ | 4 | 7414471 | 12AB | 24 | 7414473 | 12PD | 16 | 7716128 | 11NL | 49 |
| 7414469 | 11FB | 19 | 7414471 | 12AG | 4 | 7414473 | 12PFA | 25 | 7716128 | 11NM | 49 |
| 7414469 | 11FC | 17 | 7414471 | 12DD | 20 | 7414473 | 12PH | 32 | 7716133 | 12PE | 32 |
| 7414469 | 11LT | 5 | 7414471 | 12DE | 19 | 7414473 | 12PJ | 40 | 7716133 | 12PFA | 36 |
| 7414469 | 11PL | 12 | 7414471 | 12EF | 2 | 7414473 | 12PL | 22 | 7716160 | 12EF | 21 |
| 7414469 | 12CE | 20 | 7414471 | 12EG | 2 | 7414473 | 12RF | 18 | 7716160 | 12EG | 21 |
| 7414469 | 12CG | 20 | 7414471 | 12EJ | 2 | 7414473 | 14AC | 45 | 7716160 | 12EP | 21 |
| 7414469 | 12DD | 19 | 7414471 | 12EP | 2 | 7414473 | 14EB | 31 | 7716160 | 12ER | 21 |
| 7414469 | 12DE | 18 | 7414471 | 12ER | 2 | 7414473 | 15BD | 47 | 7717129 | 13EA | 58 |
| 7414469 | 12EJ | 7 | 7414471 | 12FC | 20 | 7414473 | 15DDB | 38 | 7717130 | 17BD | 11 |
| 7414469 | 12FC | 15 | 7414471 | 12HO | 44 | 7414473 | 15DE | 38 | 7717142 | 13EA | 59 |
| 7414469 | 12HD | 18 | 7414471 | 12JB | 15 | 7414473 | 15DF | 38 | 7717156 | 11FD | 35 |
| 7414469 | 12HJ | 18 | 7414471 | 12JC | 22 | 7414473 | 17AD | 24 | 7717156 | 12LK | 36 |
| 7414469 | 12HM | 14 | 7414471 | 12JC | 31 | 7414473 | 17AG | 28 | 7717156 | 13EC | 69 |
| 7414469 | 12HO | 21 | 7414471 | 12KB | 9 | 7414473 | 17GB | 3 | 7717170 | 11PJ | 1 |
| 7414469 | 12JC | 11 | 7414471 | 12KB | 18 | 7414473 | 17HD | 6 | 7717180 | 12FC | 13 |
| 7414469 | 12MB | 12 | 7414471 | 12KC | 9 | 7414473 | 18BC | 12 | 7717190 | 12BA | 26 |
| 7414469 | 12PC | 42 | 7414471 | 12KC | 18 | 7414473 | 18EC | 27 | 7717190 | 12FC | 5 |
| 7414469 | 12PE | 42 | 7414471 | 12LB | 21 | 7414473 | 23AC | 9 | 7717190 | 15DG | 10 |
| 7414469 | 12PFA | 6 | 7414471 | 12LK | 8 | 7414473 | 23AC | 39 | 7812114 | 12LB | 8 |
| 7414469 | 12PG | 23 | 7414471 | 12LK | 13 | 7414473 | 24DA | 21 | 7812114 | 13DB | 22 |
| 7414469 | 12PH | 35 | 7414471 | 12LK | 16 | 7414475 | 17GD | 1 | 7812114 | 13DH | 12 |
| 7414469 | 12PJ | 35 | 7414471 | 13EE | 18 | 7414477 | 13EC | 68 | 7812116 | 11GA | 5 |
| 7414469 | 12PL | 21 | 7414471 | 15HB | 16 | 7414477 | 13EE | 62 | 7812116 | 11GB | 5 |
| 7414469 | 12RF | 19 | 7414471 | 15HC | 14 | 7414481 | 12BC | 14 | 7812116 | 11GC | 5 |
| 7414469 | 13AD | 39 | 7414471 | 17AG | 34 | 7414481 | 12JC | 36 | 7812116 | 11GD | 5 |
| 7414469 | 13AE | 21 | 7414471 | 17AH | 21 | 7414481 | 12RB | 30 | 7812123 | 11FB | 43 |
| 7414469 | 13BD | 13 | 7414471 | 17AH | 25 | 7414481 | 13EE | 21 | 7812123 | 11FC | 40 |
| 7414469 | 13BD | 55 | 7414471 | 17BD | 10 | 7514010 | 15DG | 9 | 7812160 | 11KB | 23 |
| 7414469 | 13BE | 13 | 7414471 | 18BC | 11 | 7514020 | 11FB | 12 | 7812160 | 11LT | 25 |
| 7414469 | 13CC | 3 | 7414471 | 18BD | 16 | 7659074 | 13FB | 31 | 7812160 | 12BC | 15 |

CLICK HERE TO **DOWNLOAD** THE COMPLETE MANUAL

- Thank you very much for reading the preview of the manual.
- You can download the complete manual from: www.heydownloads.com by clicking the link below



- Please note: If there is no response to CLICKING the link, please download this PDF first and then click on it.

CLICK HERE TO **DOWNLOAD** THE COMPLETE MANUAL