

DORADO F 90 -> 3001

V0 - BALLAST, TOWING HITCHES

FRONT HITCHES

FRONT TOWING HITCH..... V0.01.0 (1)

REAR HITCHES

SPACER FOR TYPES WITH 2-SPEED P.T.O. WITH INSERTED END SHAFTS 540-750..... V0.02.0 (1)

SEPARATOR..... V0.02.1 (1)

SUPPORTS..... V0.02.2 (1)

SUPPORTS..... V0.02.3 (1)

PIN FOR REAR TOW HOOK..... V0.02.4 (1)

REAR TOWING HITCH..... V0.02.5 (1)

REAR SWINGING TOWING-HITCH..... V0.02.7 (1)

REAR TOWING HITCH BRACKET..... V0.02.8 (1)

REAR TOWING HITCH BRACKET..... V0.02.9 (1)

REAR TOWING HITCH CAT. " D "..... V0.02.10 (2)

REAR TOWING HITCH CAT. " D2 "..... V0.02.11 (1)

REAR TOWING HITCH CAT. " C "..... V0.02.12 (2)

REAR TOWING HITCH CEE..... V0.02.13 (2)

AUTOMATIC REAR TOWING HITCH CEE Ø 31..... V0.02.14 (1)

AUTOMATIC REAR TOWING HITCH CEE Ø 31..... V0.02.14 (2)

REAR TOWING HITCH CEE..... V0.02.15 (1)

REAR TOWING HITCH CEE..... V0.02.16 (1)

REAR TOWING HITCH CAT: "C"..... 0.014.4450.3.A

REAR TOWING HITCH CAT: "D"..... 0.014.4451.3.A

DRAWBAR COUPLING CAT: "D2"..... 0.014.4452.3/10.A

DRAWBAR COUPLING..... 0.014.4453.3/10.A

DRAWBAR COUPLING JH..... 0.014.4457.3.A

SLIDE..... 0.014.8203.3/20.A

DRAWBAR COUPLING Ø 31, kpl..... 0.014.8208.3.A

CHASSIS..... 0.014.8233.3.A

DRAWBAR COUPLING Ø 31, kpl..... 0.015.5754.3.A

SPACER FOR TYPES WITH PTO WITH INTERCHANGEABLE OUTPUT SHAFTS - 2 -SPEED + GROUNDSP. AND 3- SPEED..... V0.02.20000 (1)

FRONT BALLAST WEIGHTS

FRONT WEIGHT CARRIER..... V0.03.2 (1)

FRONT BALLAST KG. 70..... V0.03.4 (1)

FRONT BALLAST Kg 80..... V0.03.5 (1)

FRONT BALLAST Kg 160..... V0.03.6 (1)

FRONT BALLAST KG. 250..... V0.03.7 (1)

BALLAST LOCK BAR mm 30x780..... V0.03.8 (1)

CLICK HERE TO **DOWNLOAD** THE COMPLETE MANUAL

- Thank you very much for reading the preview of the manual.
- You can download the complete manual from: www.heydownloads.com by clicking the link below



- Please note: If there is no response to CLICKING the link, please download this PDF first and then click on it.

CLICK HERE TO **DOWNLOAD** THE COMPLETE MANUAL

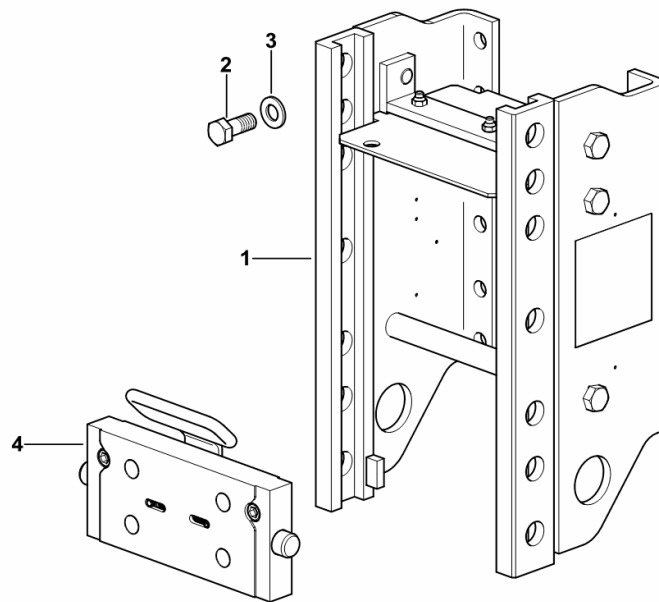
REAR TOWING HITCH BRACKET

Fig.	Code	QTY	Name
------	------	-----	------

Notes:

[DORADO F 90 -> 3001] -> 3057

1	0.015.5748.3/10	1	chassis frame V.ORLANDI
2	2.0113.615.2	12	screw m 16 p.2 x 40
3	2.1475.006.2	12	washer 16
4	0.015.5751.3/10	1	plate V.ORLANDI



9_H2831_70_0-A-001

REAR TOWING HITCH CAT: "D"

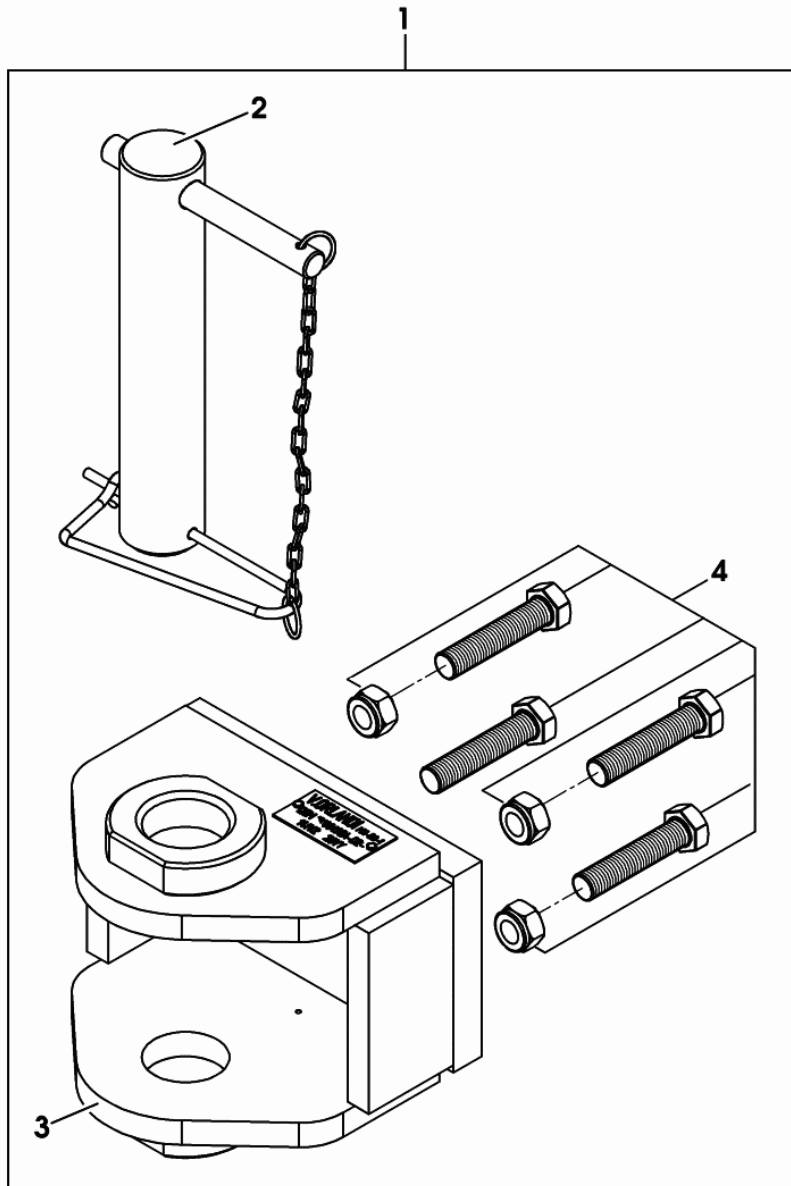


Fig.	Code	QTY	Name
1	0.014.4451.3	1	tow hook V.ORLANDI CAT. " D "
2	0.900.0458.1	1	pin
3	0.000.0000.1	0	not serviceable
4	0.900.0458.0	1	screw m 18, kit

0_014_4451_3

FRONT BALLAST KG. 70

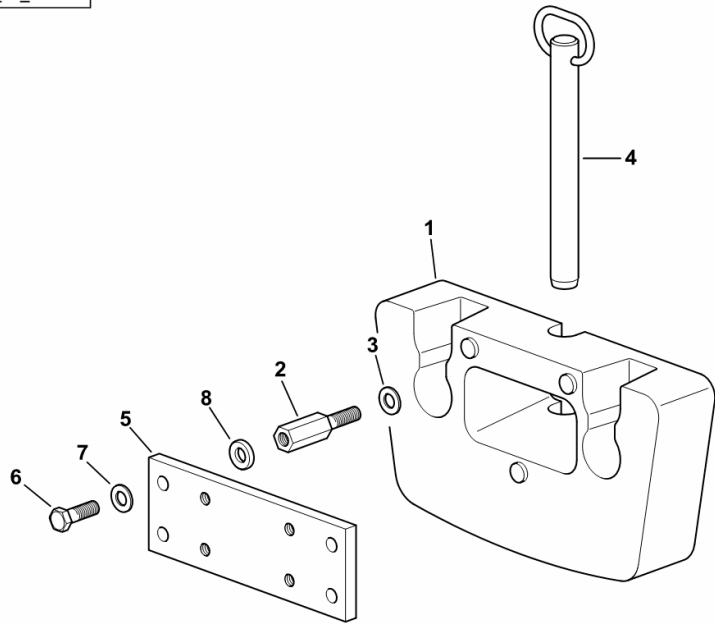
Fig.	Code	QTY	Name
------	------	-----	------

Notes:

[DORADO F 90 -> 3001]

1	0.96927.40.0/10	2	ballast KG. 35
2	0.96927.50.0/10	8	small column
3	2.1310.009.2	8	flat washer 14
4	0.96927.51.2	1	pin
5	0.010.9571.0/10	1	plate
6	2.0112.517.2	4	screw m 14 p.2 x 45
7	2.1310.009.2	4	flat washer 14
8	2.1599.565.2	4	shim 15 x 30 x 6

9_56652_50_0-A-00



MECHANICAL GEARSHIFT CONTROLS

GEAR SHIFTING.....	G0.14.0 (1)
GEAR SHIFTING.....	G0.14.1 (1)
DRIVE INTERMEDIATE GEARS.....	G0.14.7 (1)
REDUCTION GEAR CONTROL.....	G0.14.8 (1)
REDUCTION GEAR CONTROL.....	G0.14.10 (1)

PTO CONTROLS

P.T.O. - EXTERNAL CONTROLS 540 - 750 + SYNCRO.....	G0.16.0 (1)
P.T.O. - EXTERNAL CONTROLS 540-750.....	G0.16.1 (1)
P.T.O. - EXTERNAL CONTROLS 540-750-1000.....	G0.16.2 (1)
P.T.O. - EXTERNAL CONTROLS 540/N.....	G0.16.3 (1)
P.T.O. SHAFT DRIVE.....	G0.16.4 (1)
P.T.O. SHAFT DRIVE.....	G0.16.5 (1)
P.T.O.-SYNCHRONIZED CONTROL.....	G0.16.6 (1)

LIFT CONTROLS

LIFT CONTROL LEVERS.....	G0.17.0 (1)
LIFT CONTROL LEVERS.....	G0.17.1 (1)
TIE RODS FOR LIFT CONTROL LEVERS.....	G0.17.2 (1)
TIE RODS FOR LIFT CONTROL LEVERS.....	G0.17.3 (1)
TIE RODS FOR LIFT CONTROL LEVERS.....	G0.17.4 (1)
TIE RODS FOR LIFT CONTROL LEVERS.....	G0.17.5 (1)

REMOTE VALVE CONTROLS

CONTROLS FOR 6-WAY AUXILIARY SERVICES CONTROL VALVE.....	G0.18.5 (1)
CONTROLS FOR 6-WAY AUXILIARY SERVICES CONTROL VALVE.....	G0.18.6 (1)
CONTROLS FOR 6-WAY AUXILIARY SERVICES CONTROL VALVE.....	G0.18.7 (1)
CONTROLS FOR 6-WAY AUXILIARY SERVICES CONTROL VALVE.....	G0.18.8 (1)
CONTROLS FOR 6-WAY AUXILIARY SERVICES CONTROL VALVE.....	G0.18.9 (1)
CONTROLS FOR 6-WAY AUXILIARY SERVICES CONTROL VALVE.....	G0.18.10 (1)
CONTROLS FOR 6-WAY AUXILIARY SERVICES CONTROL VALVE.....	G0.18.11 (1)
CONTROLS FOR 6-WAY AUXILIARY SERVICES CONTROL VALVE.....	G0.18.12 (1)
CONTROLS FOR 6-WAY AUXILIARY SERVICES CONTROL VALVE.....	G0.18.13 (1)
OIL REGULATOR CONTROL.....	G0.18.14 (1)

ACCESSORIES

SUN BLIND.....	G0.19.0 (1)
LICENCE PLATE HOLDER.....	G0.19.1 (1)
METAL TOOLBOX.....	G0.19.2 (1)
METAL TOOLBOX.....	G0.19.3 (1)
METAL TOOLBOX.....	G0.19.4 (1)
LUBRICATOR.....	G0.19.5 (1)

SAFETY ROLL BAR

SAFETY ARCH.....	G0.20.0 (1)
------------------	-------------

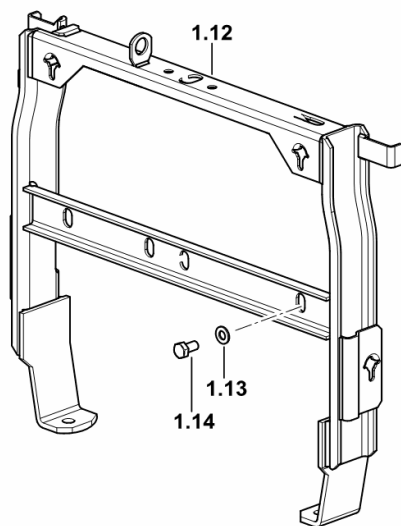
HOOD SUPPORT

Fig.	Code	QTY	Name
------	------	-----	------

Notes:

[DORADO F 90 -> 3001]

1.12	0.013.9907.3/10	1	chassis frame
1.13	2.1310.004.2	5	flat washer 8.5
1.14	2.0112.205.2	5	screw m 8 p.1.25 x 16



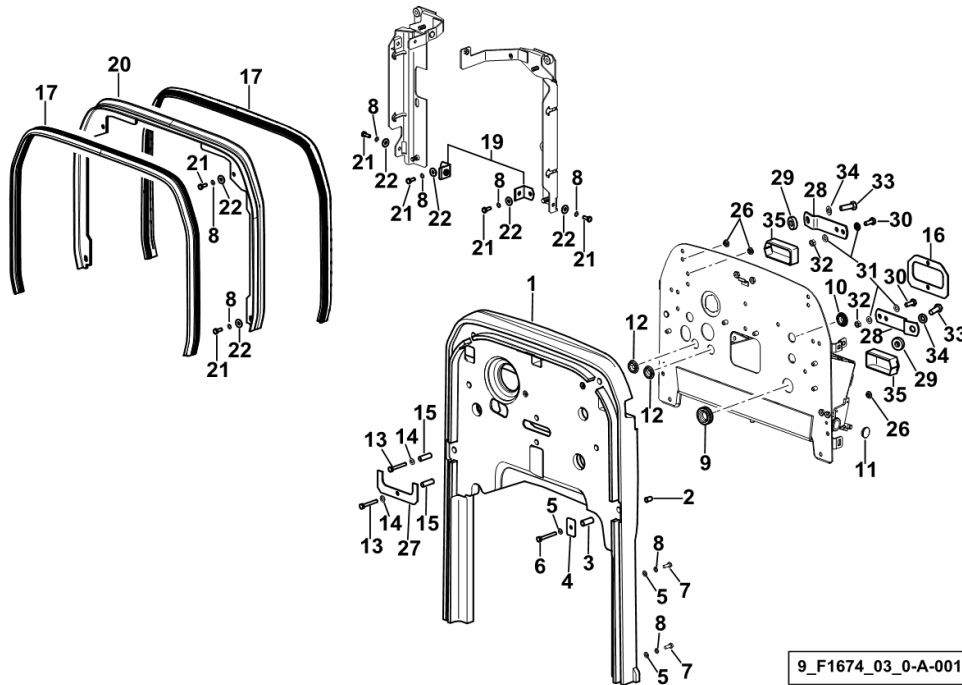
9_E6081_00_0-C-001

CONNECTION FRAME

Fig.	Code	QTY	Name
------	------	-----	------

Notes:

- FOR MODELS WITH CAB [DORADO F 90 -> 3001] -> 3002



1	0.015.3611.2/10	1	frame
2	2.1142.010.2	5	insert m 6
3	2.1579.793.0	4	spacer
4	2.1369.002.2	4	small plate 25x40x2
5	2.1310.002.2	8	washer 6.6, d125
6	2.0112.019.2	4	screw m 6 p.1 x 50
7	2.0112.005.2	4	screw m 6 p.1 x 16
8	2.1470.002.2	10	washer 6, d128
9	2.3199.115.0	1	plug 38x12
10	0.010.1453.0	1	plug 22
11	0.9200.178.0	4	plug Ø 17
12	2.6569.052.0	2	rubber plug
13	2.0112.017.2	2	screw m 6 p.1x45
14	2.1310.003.2	2	flat washer 7.4x14
15	2.1549.440.2	2	spacer
16	0.011.3907.3	1	flange
17	0.012.1817.0/10	2	gasket mm 1320
19	0.013.8058.3	2	bracket
20	0.014.4926.3/10	1	frame
21	2.0114.005.2	6	screw m 6 p.1.0 x 16
22	2.1312.003.2	6	washer 6
26	2.3199.163.0	6	plug 10x6
27	0.012.4416.0	1	flange
28	0.015.1688.0	2	bracket
29	2.1549.629.2	2	spacer
30	2.0112.207.2	4	screw m 8 p 1.25 x 20
31	2.1310.004.2	8	flat washer 8.5
32	2.1011.105.2	4	nut m 8 p.1.25
33	2.0113.311.2	2	screw m 10 p.1.5 x 30
34	2.1310.006.3	2	flat washer 10.5x21x2
35	0.015.3738.0	2	block

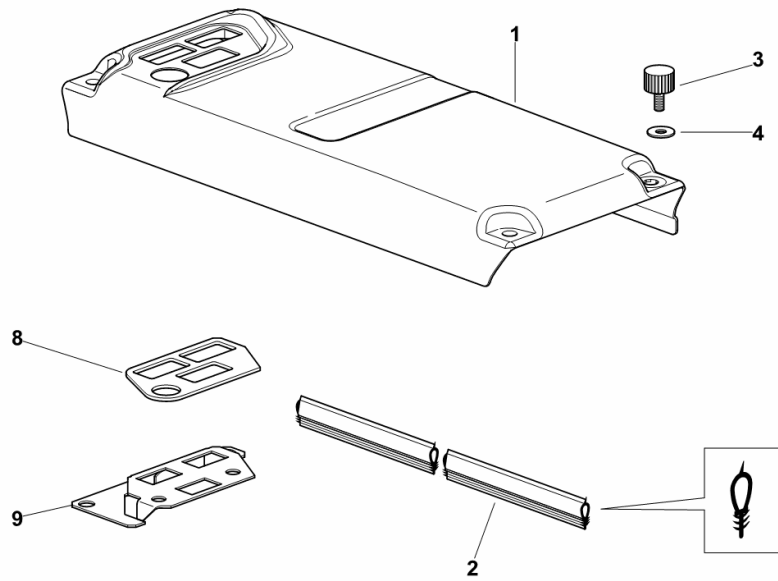
BATTERY COVER

Fig.	Code	QTY	Name
------	------	-----	------

Notes:

- WITH REAR 6-WAY CONTROL VALVE AND WITH ELECTROHYDRAULIC THREE-POINT HITCH [DORADO F 90 -> 3001]

1	0.010.7690.0/80	1	cover
2	0.010.8105.0	1	gasket mm 900
3	0.009.0133.3/10	4	knob
4	2.1312.004.3	4	washer 8,4x24x2
8	0.013.0018.0	1	gasket
9	0.013.0016.2/10	1	support (3184 <-)
9	0.016.6977.2	1	support (-> 3192)



9_70573_04_0-A-001

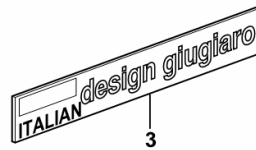
IDENTIFICATION PLATE - SX/LH/LI

Fig.	Code	QTY	Name
------	------	-----	------

Notes:

[DORADO F 90 -> 3001] 3002 <-

3	0.009.0829.2	1	plate design giugiaro
---	--------------	---	-----------------------



9_B6472_02_0-B-002

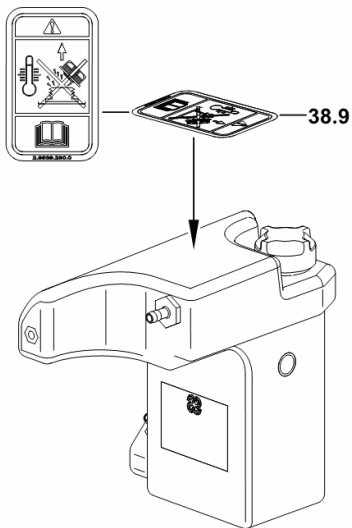
WARNING PLATE

Fig.	Code	QTY	Name
------	------	-----	------

Notes:

[DORADO F 90 -> 3001] 3088 <-

38.9	2.9939.280.0	1	plate
------	--------------	---	-------



9_F2083_00_0-D-001

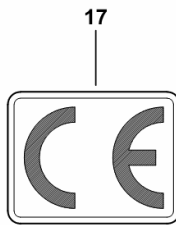
IDENTIFICATION PLATE " CE "

Fig.	Code	QTY	Name
------	------	-----	------

Notes:

[DORADO F 90 -> 3001] 3001 <-

17	2.9929.566.0	1	plate " CE "
----	--------------	---	--------------

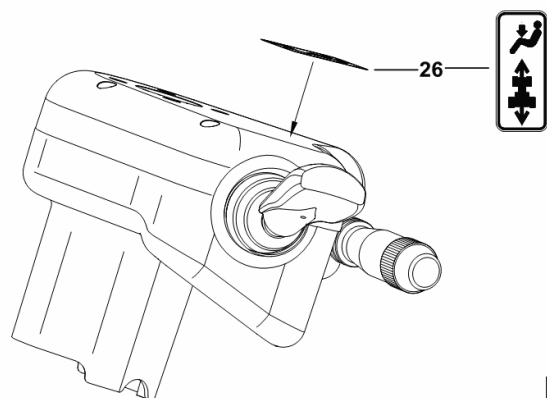
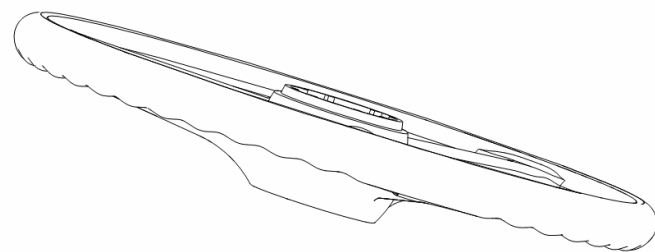


9_D6074_27_0-A-001

INFORMATION PLATE

Fig.	Code	QTY	Name
26	2.9939.198.0	1	plate

Notes:
[DORADO F 90 -> 3001]



9_F2063_00_0-E-001

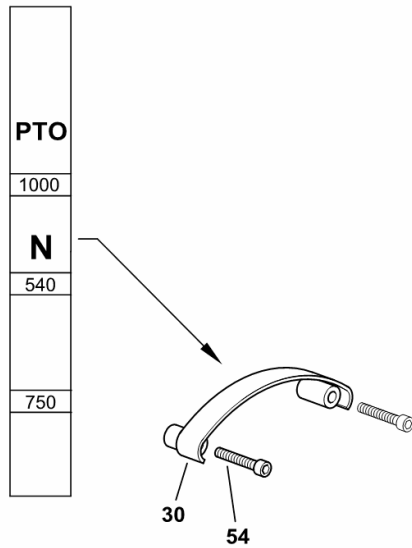
PTO DATA PLATE 540-750-1000

Fig.	Code	QTY	Name
------	------	-----	------

Notes:
[DORADO F 90 -> 3001]

30	0.013.7780.3/10	1	sector
54	2.0332.309.6	2	screw m 5 x 30

9_B6136_12_0-B-001



SPEED LABEL - 40 KM/H - REFLEX

Fig.	Code	QTY	Name
------	------	-----	------

Notes:
[DORADO F 90 -> 3001]

1	0.010.9969.0	1	disc 40 KM/H
---	--------------	---	--------------



9_70576_04_0-A-001

Section: G0 - BODYWORK - CAB
FRONT MUDGUARDS mm 265

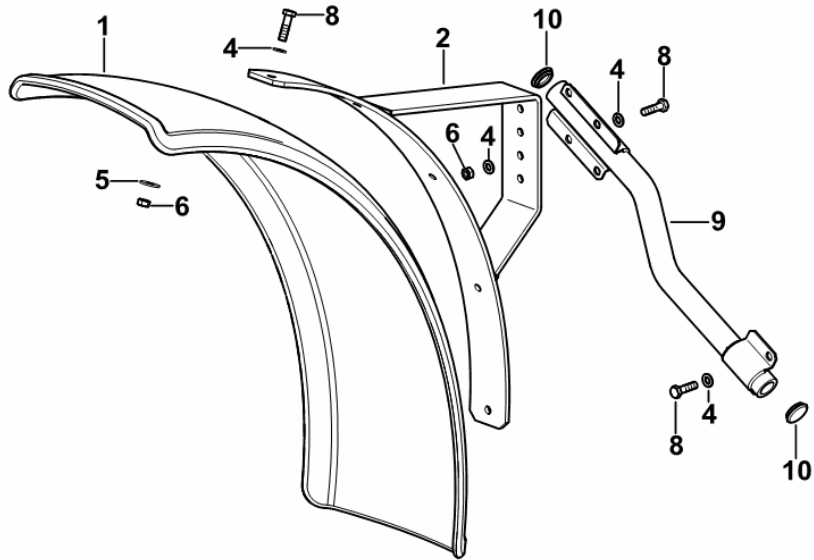
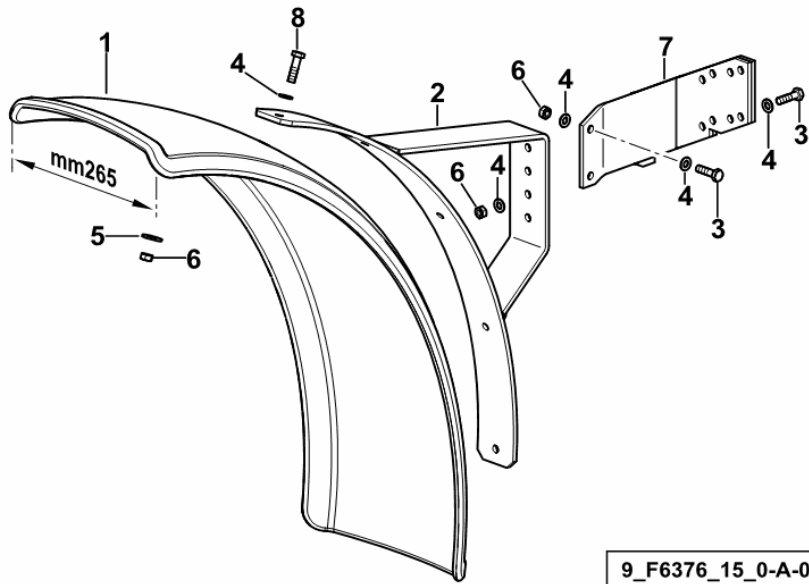


Fig.	Code	QTY	Name
------	------	-----	------

Notes:

- FOR TYPES WITHOUT SAFETY FRAME AND FRONT AUXILIARY CONTROL VALVE BUT WITH CENTRAL CONNECTORS [DORADO F 90 -> 3001] -> 3152

1	0.158.7662.0/10	2	fender mm 265
2	0.013.9065.2	2	chassis frame
3	2.0112.211.2	4	screw m 8 p.1.25 x 30
4	2.1310.004.2	24	flat washer 8.5
5	2.1312.004.2	10	washer 8.4
6	2.1011.105.2	16	nut m 8 p.1.25
7	0.013.8747.2	1	bracket
8	2.0112.209.2	14	screw m 8 p 1.25 x 25
9	0.015.2486.3	1	support
10	0.010.1453.0	2	plug 22



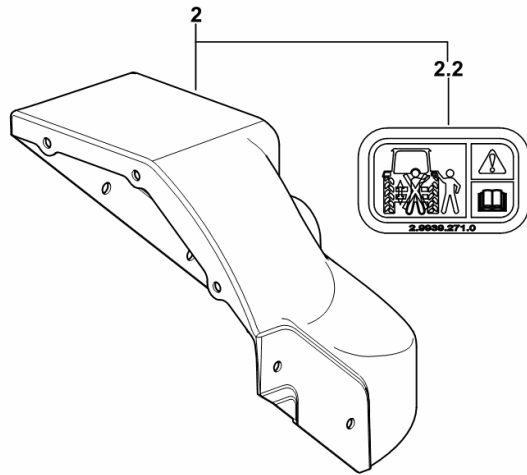
9_F6376_15_0-A-001

Fig.	Code	QTY	Name
------	------	-----	------

Notes:

- FOR TYPES WITH MECHANICAL LIFT AND 28" PLATFORM [DORADO F 90 -> 3001] -> 3070

2	0.015.9649.4	1	splash-guards dx/rh/re
2.2	2.9939.271.0	1	plate



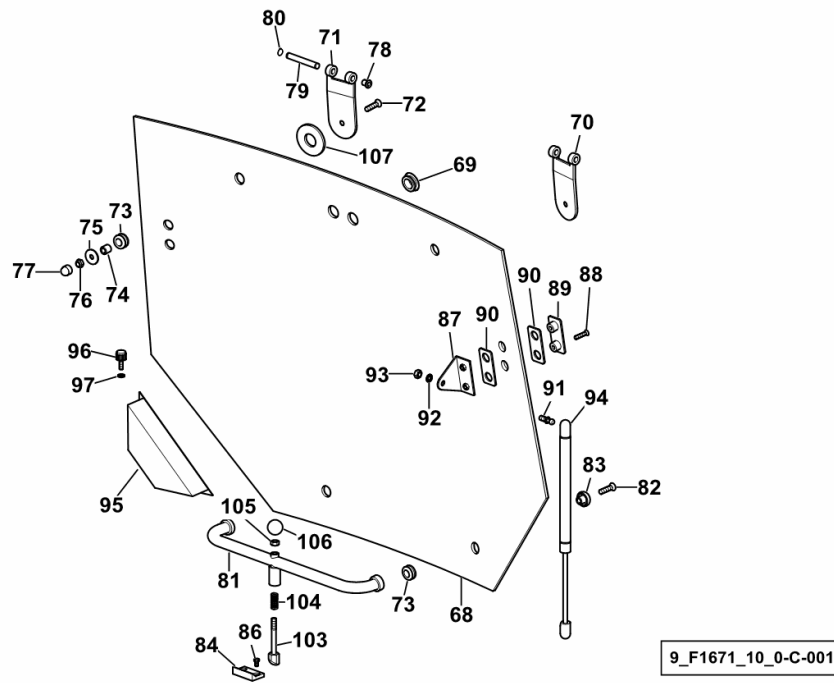
9_I7459_52_0-B-001

REAR WINDOW

Fig.	Code	QTY	Name
------	------	-----	------

Notes:

[DORADO F 90 -> 3001] -> 3002



68	0.009.8626.0/10	1	window glass
69	0.9241.563.0	2	plug 30x35x13.5
70	0.009.9439.3/10	1	hinge sx/lh/li
71	0.009.9440.3/10	1	hinge dx/rh/re
72	2.0349.002.3	2	screw m 8 p.1.25 x 30
73	2.6569.011.0	6	rubber plug
74	2.1579.450.2	2	spacer 8.5 x 14 x 12
75	2.1599.352.2	2	washer 8.5x28x2
76	2.1120.105.2	2	selflock nut m 8 p.1.25
77	0.163.7856.0	2	cap
78	2.1559.147.0	4	bushing 10 x 28 x 18
79	2.1699.385.2/10	2	pin
80	2.1410.001.1	4	circlip 10
81	0.009.8763.3	1	handle
82	2.0342.307.6	4	screw m 8 p 1.25 x 25
83	0.009.8600.0	4	spacer
84	0.009.8952.0	2	small plate
86	2.0312.004.2	2	screw m 5 p.0.8 x 10
87	0.009.8628.2	2	bracket
88	2.0342.207.6	4	screw m 6 p.1 x 25
89	0.007.2857.0	2	small plate
90	0.007.2858.0	4	gasket
91	0.009.8760.0	2	ball joint
92	2.1470.004.2	2	washer 8
93	2.1011.105.2	2	nut m 8 p.1.25
94	0.009.8629.2	2	shoch.absorber mm 405.5
95	0.009.8630.0	1	gasket
96	0.009.8631.2	1	knob
97	2.1310.002.2	1	washer 6.6, d125
103	2.1699.142.2	2	pin
104	2.4019.240.1	2	spring
105	2.1011.105.2	4	nut m 8 p.1.25
106	0.9215.268.0	2	knob
107	2.1549.155.0	4	washer

PLUG FOR VERSION WITHOUT CIGAR LIGHTER

Fig.	Code	QTY	Name
------	------	-----	------

Notes:
[DORADO F 90 -> 3001]

1	0.011.6915.0	1	plug 27.8-28.6/30.9
---	--------------	---	---------------------



9_70574_03_0-A-001

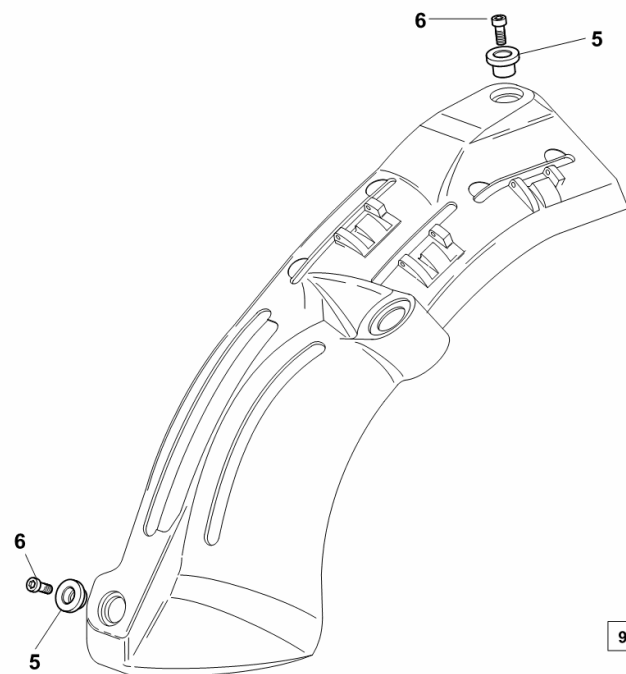
POWER LIFT CONTROL CONSOLE FIXING

Fig.	Code	QTY	Name
------	------	-----	------

Notes:

- FOR MODELS WITH CAB [DORADO F 90 -> 3001]

5	0.010.7145.0	2	bushing
6	2.0312.206.3	2	screw m 8 p.1.25 x 20



9_70559_57_0-A-001

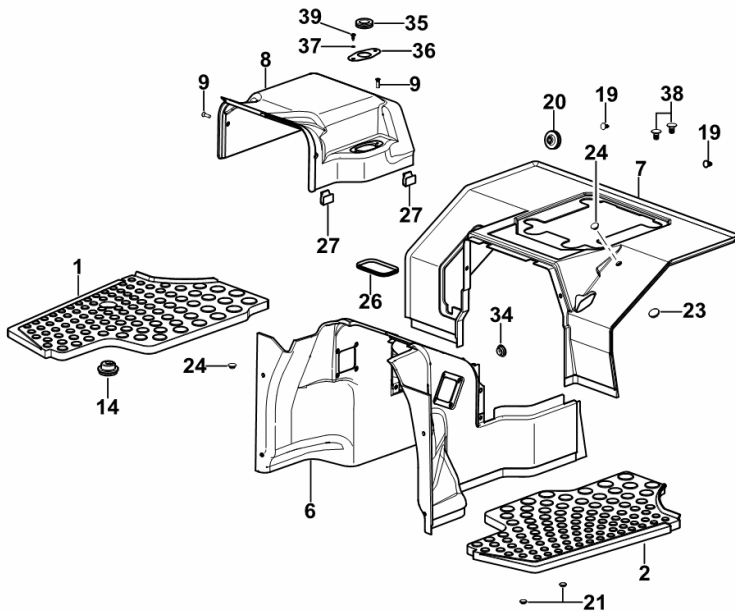
CAB INTERIOR TRIM

Fig.	Code	QTY	Name
------	------	-----	------

Notes:

[DORADO F 90 -> 3001] -> 3027

1	0.015.0122.0/10	1	small carpet dx/rh/re
2	0.015.0121.0/10	1	small carpet sx/lh/li
6	0.014.4994.0	1	lining
7	0.015.0125.0	1	lining
8	0.015.3565.0	1	cover
9	2.0322.407.3	4	screw m 6 p.1 x 20
14	0.011.3396.0	1	boot
19	2.1899.084.0	2	button 8 x 19
20	2.6569.035.0/10	1	wire guide 15x30x10
21	2.3199.163.0	2	plug 10x6
23	0.9200.178.0	1	plug Ø 17
24	0.178.7455.0	2	plug Ø 12
26	01393059	0.25	gasket
27	0.012.5970.0/10	4	stop
34	2.6070.050.0	1	plug Ø 20
35	2.6560.016.0	1	wire guide Ø 22
36	0.015.3591.0	1	small plate
37	2.1310.028.3	2	washer 4
38	2.3199.097.0	2	plug 10x20
39	2.0350.453.6	2	screw m 4.3 x 9.5



9_F1671_20_0-A-002

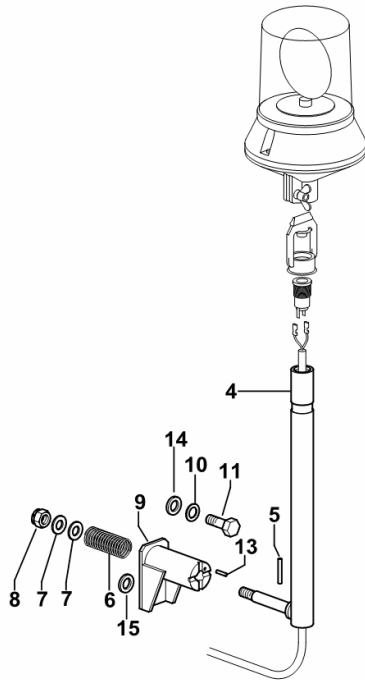
PREARRANGEMENT FOR WARNING BEACON

Fig.	Code	QTY	Name
------	------	-----	------

Notes:

- FOR MODELS WITH CAB [DORADO F 90 -> 3001]

4	0.010.0176.3/20	1	tube
5	2.1651.312.2	1	pin 4x28
6	2.4019.611.2	1	spring
7	2.1310.006.2	2	flat washer 10.5
8	2.1120.006.2	1	nut m 10 p.1.5
9	0.010.9626.2	1	support
10	2.1474.011.2	1	spring washer 12
11	2.0112.411.2	1	screw m 12 p.1.75 x 30
13	2.1630.207.9	1	pin 3x14
14	2.1599.007.2	1	snoulder 12.5x20x3
15	2.1579.487.2	1	spacer 12.5x20x3.5



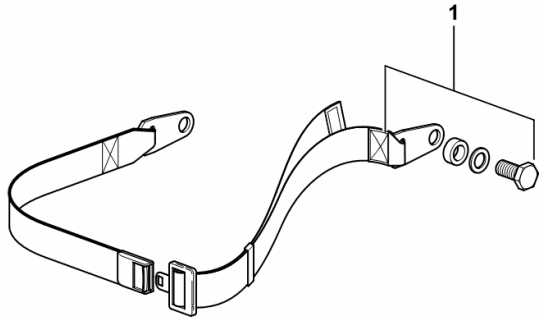
9_56671_35_0-A-001

SAFETY BELT

Fig.	Code	QTY	Name
------	------	-----	------

Notes:
[DORADO F 90 -> 3001]

1	0.012.3637.4/10	1	safety belt
---	-----------------	---	-------------



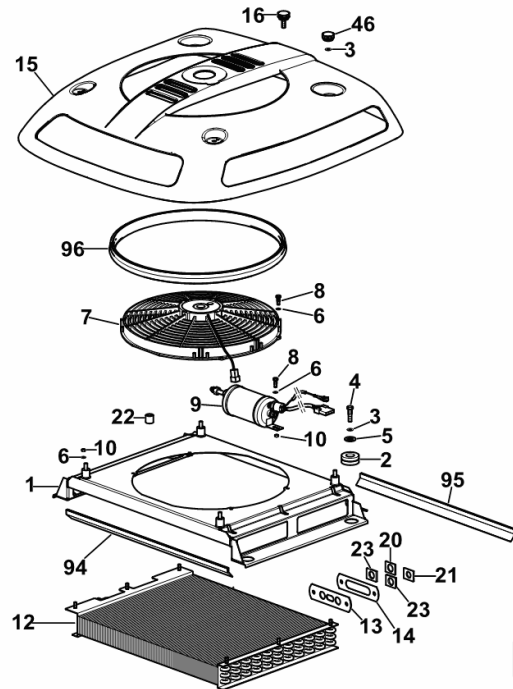
9_21075_04_0-A-001

CONDENSER

Fig.	Code	QTY	Name
------	------	-----	------

Notes:

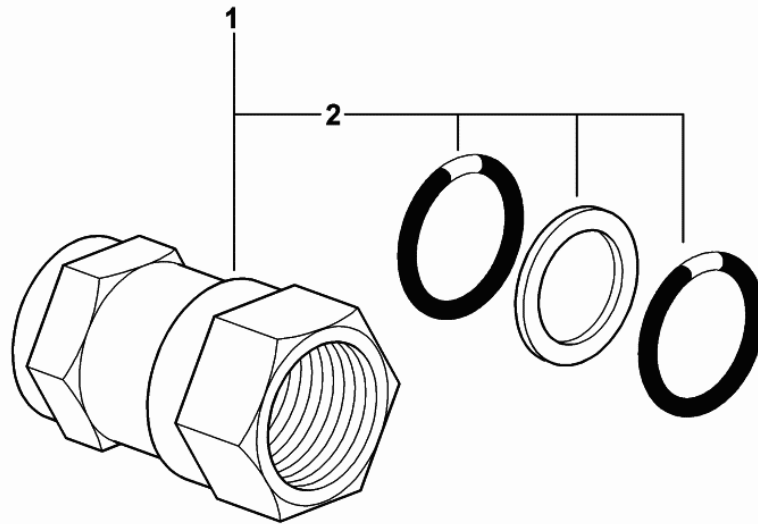
- FOR TYPES WITH HEATING AND AIR CONDITIONING [DORADO F 90 -> 3001] -> 3142



1	0.015.9261.3/10	1	support
2	0.007.5607.0	4	rubber plug
3	2.1310.004.2	4	flat washer 8.5
4	2.0112.215.2	4	screw m 8 p.1.25 x 40
5	2.1310.009.2	4	flat washer 14
6	2.1312.003.2	11	washer 6
7	0.010.0618.4	1	fan Ø 414
8	2.0112.007.2	5	screw m 6 p.1 x 20
9	0.007.6265.4/20	1	filter R 134a ☞ 0.007.6265.4/20
10	2.1011.103.2	7	nut m 6 p.1
12	0.009.8260.3/10	1	condenser
13	0.009.8265.0/20	1	small plate
14	0.009.8266.0	1	gasket
15	0.015.9404.3/10	1	cover
16	0.012.9389.2	4	knob m 8
20	0.007.7779.0	1	small plate
21	0.007.7780.0/10	1	small plate
22	2.1579.879.2	4	spacer 12x20x19
23	0.007.7781.0/10	2	gasket
46	0.013.1092.2	2	knob
94	0.015.9476.0	1	gasket mm 587
95	0.015.9477.0	1	gasket mm 564
96	0.015.9408.0	1	gasket

ENGAGEMENT

Fig.	Code	QTY	Name
1	0.009.7202.4/20	1	connection 1-1/4"-18UN
2	0.900.0267.8	1	seal ring kit 1.78x28.3



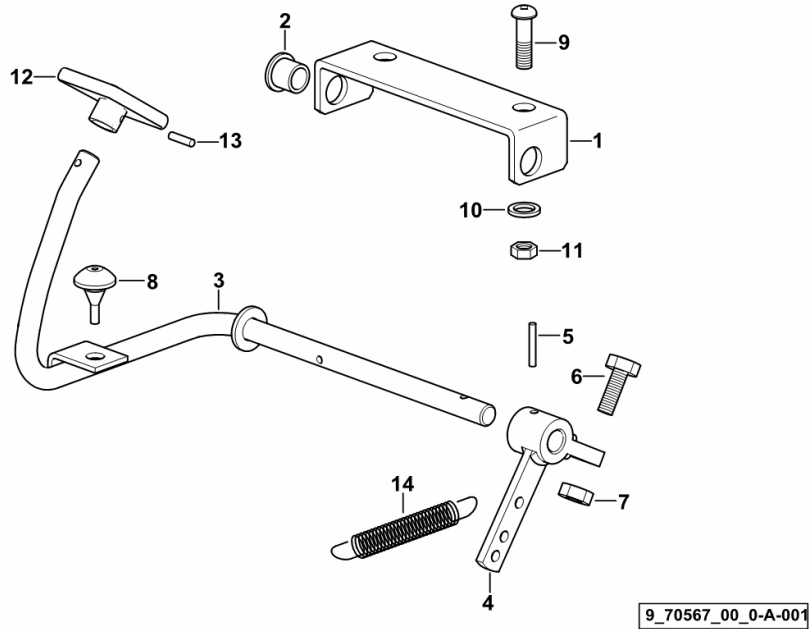
0_009_7202_4_20

THROTTLE

Fig.	Code	QTY	Name
------	------	-----	------

Notes:
[DORADO F 90 -> 3001]

1	0.010.1159.0/10	1	bracket
2	2.1559.243.0	2	bushing 12x16x15
3	0.010.1157.3/20	1	lever
4	0.010.1158.2/10	1	lever
5	2.1631.311.0	1	roll pin 3x24
6	2.0112.211.2	1	screw m 8 p.1.25 x 30
7	2.1011.105.2	1	nut m 8 p.1.25
8	0.255.7265.0	1	block
9	2.0020.205.2	2	screw m 8 p.1.25 x 20
10	2.1310.004.2	2	flat washer 8.5
11	2.1011.105.2	2	nut m 8 p.1.25
12	0.007.5575.2/20	1	accel. pedal
13	2.1899.091.0	1	rivet 4x22
14	2.4049.071.2	1	spring 19 x 52 x 2

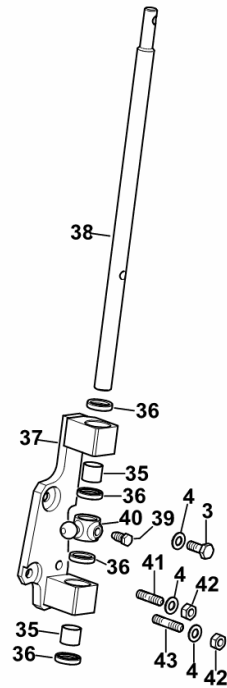


REDUCTION GEAR CONTROL

Fig.	Code	QTY	Name
------	------	-----	------

Notes:
[DORADO F 90 -> 3001]

3	2.0112.207.2	7	screw m 8 p 1.25 x 20
4	2.1475.202.2	9	spring washer 8.4 x 16
35	2.1555.209.0	2	bushing 16x18x15
36	2.1519.078.0	4	'o' ring 16 x 24 x 6
37	0.010.5168.2/20	1	plate
38	0.014.4632.0	1	rod
39	0.010.5171.0	1	hub
40	2.0399.019.1	1	screw m 8 p.1 x 16
41	2.0432.003.7	1	stud bolt m 8 p.1.25 / p.1 x 20
42	2.1011.405.2	2	nut m 8 p.1
43	2.0432.005.7	1	stud bolt m 8 p.1.25 / p.1 x 25



9_D3264_00_0-C-001

9_F1659_53_0-A-001

DORADO F 90 -> 3001

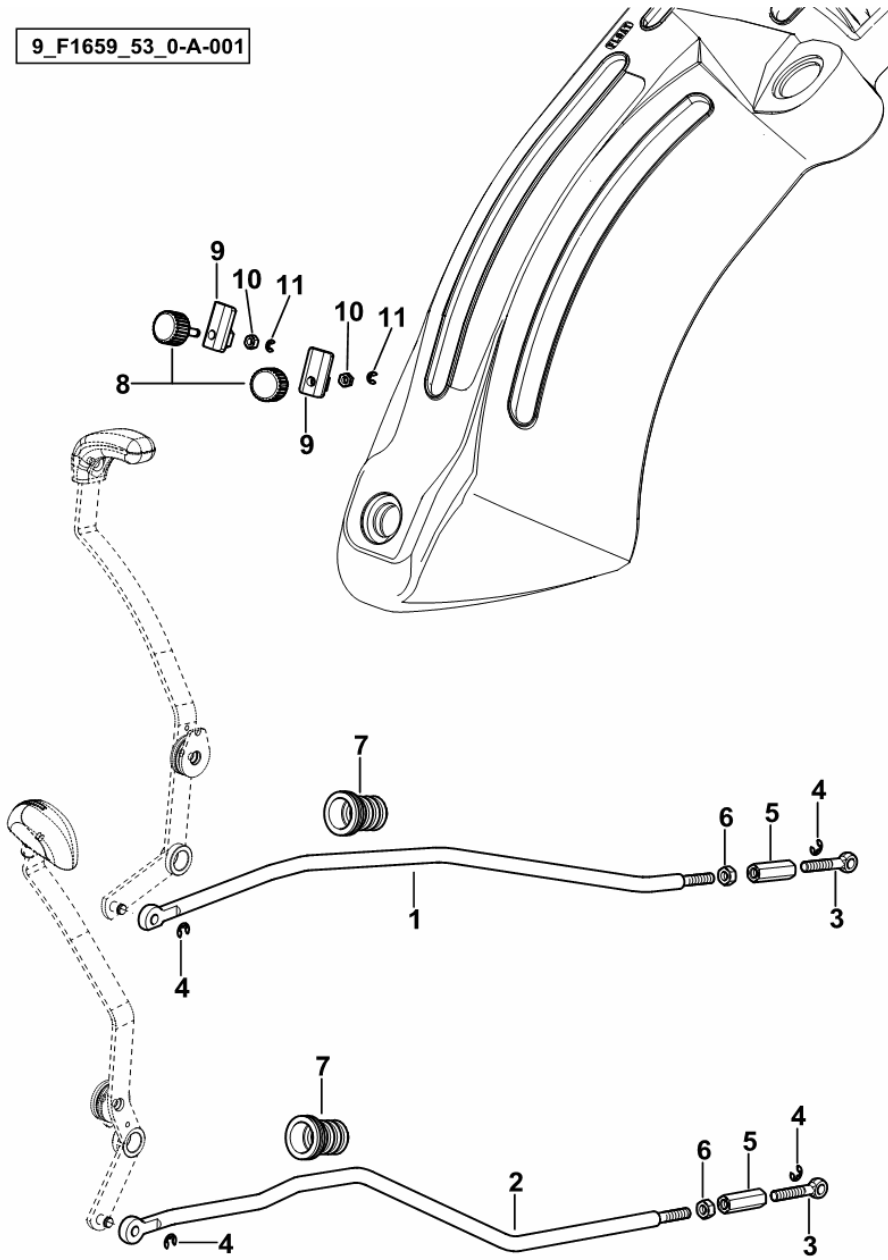
Ref.: G0.17.2 (1)

Section: G0 - BODYWORK - CAB
TIE RODS FOR LIFT CONTROL LEVERS

Fig.	Code	QTY	Name
------	------	-----	------

Notes:

- FOR 24" PLATFORM [DORADO F 90 -> 3001] -> 3004 - 3066 <-



1	0.014.7976.0/10	1	rod
2	0.014.7975.0	1	rod
3	0.010.4186.0	2	tip m 8
4	2.1430.007.2	4	circlip 6, d128
5	2.1099.139.2/10	2	nut m 8
6	2.1019.127.2	2	nut m 8 p.1.25 x 6.8, sx/lh/li
7	0.013.3229.0	2	bellows
8	0.007.6770.3/10	2	knob
9	0.007.6771.0/10	2	slider
10	2.1011.103.2	2	nut m 6 p.1
11	2.1430.005.7	2	circlip 4

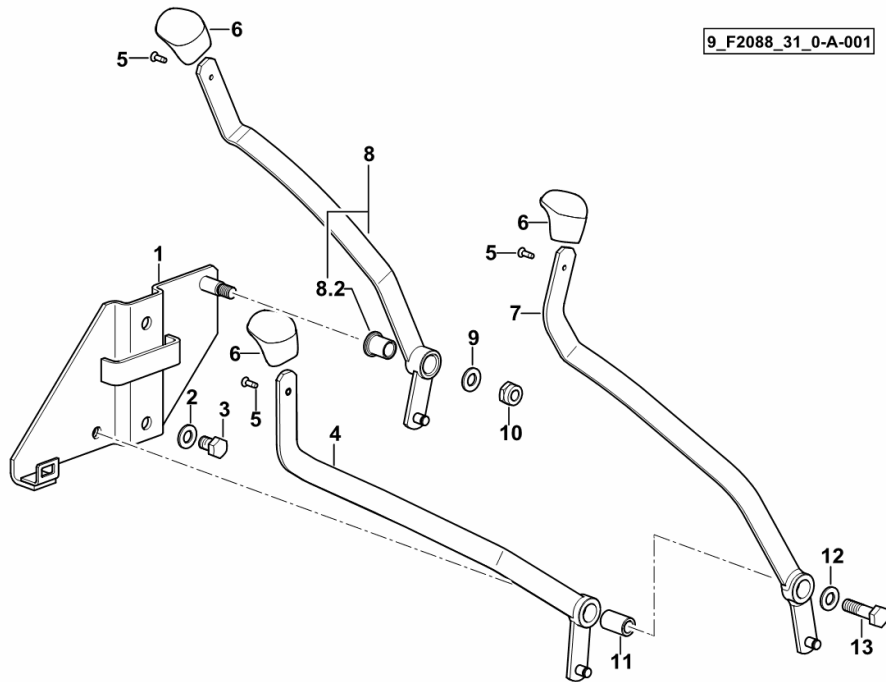
CONTROLS FOR 6-WAY AUXILIARY SERVICES CONTROL VALVE

Fig.	Code	QTY	Name
------	------	-----	------

Notes:

- FOR TYPES WITH ELECTRONIC LIFTER [DORADO F 90 -> 3001]

1	0.011.2664.3/10	1	support
2	2.1310.006.2	2	flat washer 10.5
3	2.0112.305.2	2	screw m 10 p.1.5 x 16
4	0.011.2635.3/10	1	lever # 1
5	2.0351.404.6	3	screw 4.2x13 -B-
6	0.010.4169.0/10	3	knob
7	0.011.2638.3/20	1	lever # 2
8	0.011.2643.3/10	1	lever # 3
8.2	2.1559.366.0	1	bushing 12 x 21 x 20
9	2.1310.006.2	1	flat washer 10.5
10	2.1120.106.2	1	nut m 10 p.1.25
11	2.1549.416.0	1	spacer
12	2.1310.006.2	1	flat washer 10.5
13	2.0112.305.2	1	screw m 10 p.1.5 x 16

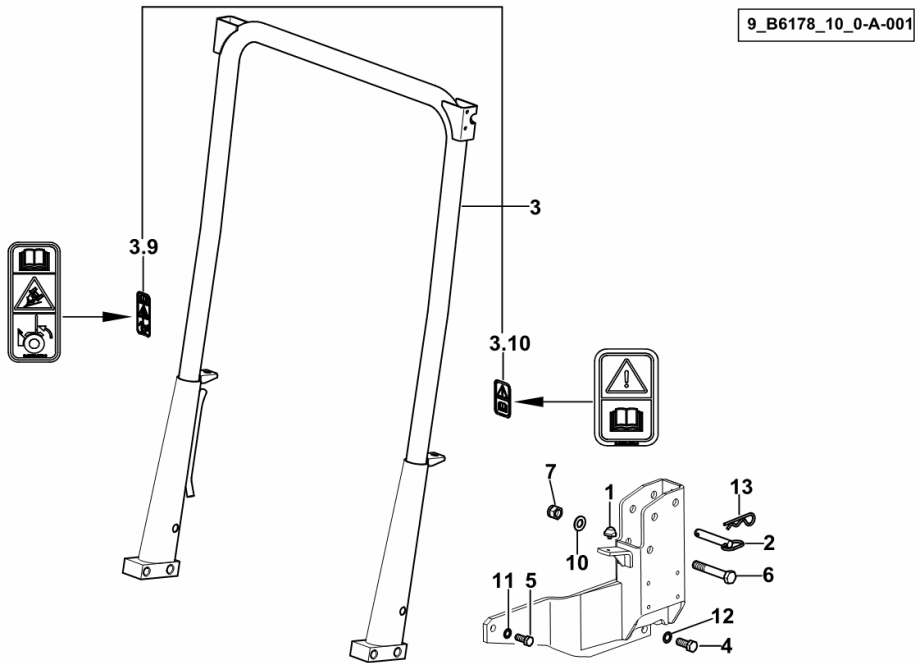


SAFETY ARCH

Fig.	Code	QTY	Name
------	------	-----	------

Notes:
[DORADO F 90 -> 3001]

1	0.154.7969.2	2	rubber plug
2	0.467.7853.2/10	2	pin
3	0.013.8976.3/50	1	safety frame
3.9	2.9939.276.0	1	plate
3.10	2.9939.272.0	1	plate
4	2.0112.615.2	6	screw m 16 p.2 x 40
5	2.0122.513.2	2	screw m 14 p.1.5x35
6	2.0122.731.2	2	screw m 18 p.1.5x110
7	2.1120.210.2	2	selflock nut m 18 p.1.5
10	2.1310.011.2	2	flat washer 19x34
11	2.1475.005.2	2	washer 14
12	2.1475.006.2	6	washer 16
13	2.1699.084.2	2	pin Ø 27



ALTERNATOR PARTS

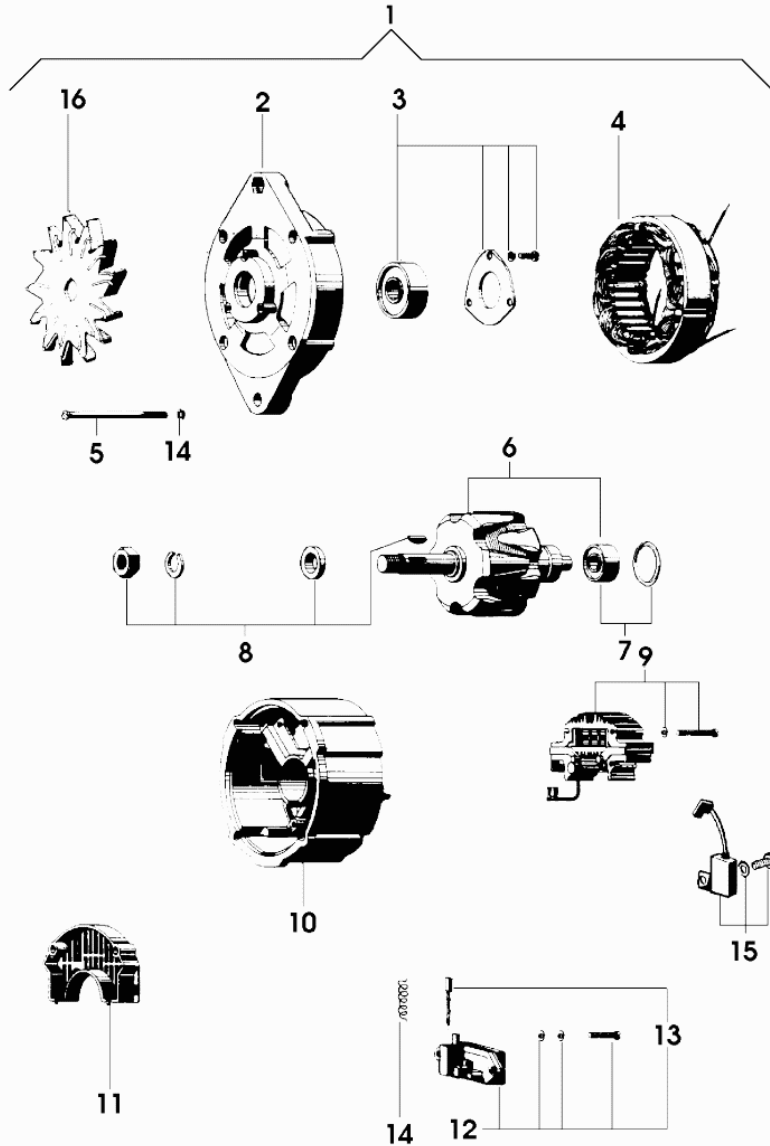


Fig.	Code	QTY	Name
1	2.9439.420.0/10	1	alternator 14V - 65A - ISKRA
2	0.009.4331.1	1	cover
3	0.010.2066.1	1	bearing
4	0.010.2066.2	1	field winding
5	0.010.2231.0	4	screw
6	0.010.2084.0	1	armature
7	0.010.2067.2	1	bearing
8	0.010.2068.0	1	repair seal set
9	0.009.4881.0	1	rectifier
10	0.010.2068.1	1	cover
11	0.010.2231.1	1	guard
12	0.009.4335.0	1	regulator
13	0.009.4335.1	2	brush set
14	0.000.0000.1	0	not serviceable
15	0.010.2068.2	1	condenser
16	0.009.4331.0	1	rotor blade

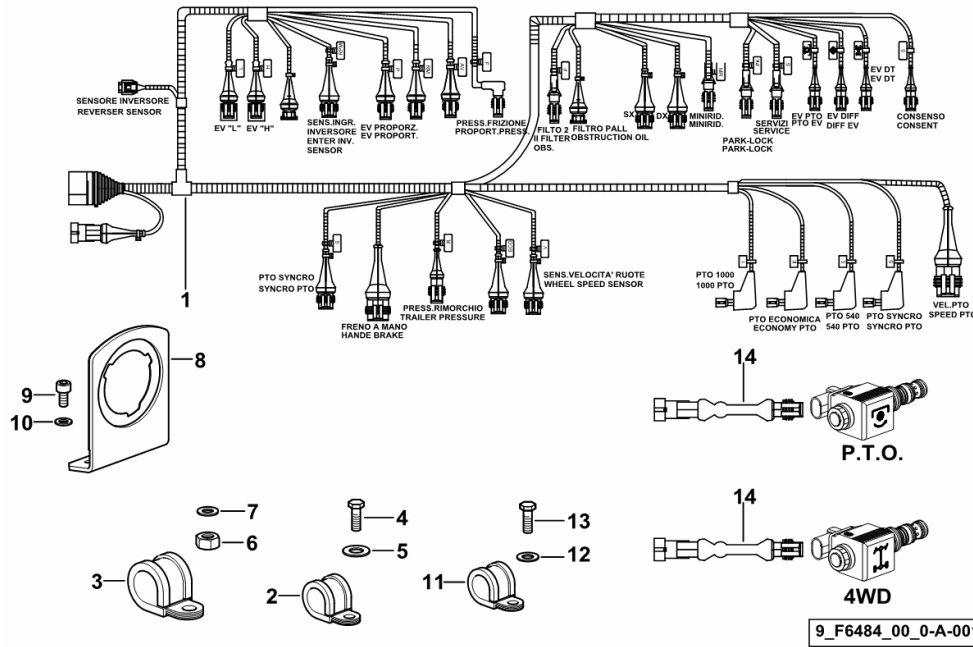
2_9439_420_0_10

Section: L0 - ELECTRIC AL SYSTEM
ELECTRICAL EQUIPMENT REAR

Fig.	Code	QTY	Name
------	------	-----	------

Notes:

- EXPORT U.S.A. [DORADO F 90 -> 3001]



1	0.015.3151.4	1	electrical system
2	2.6839.066.0/10	1	clamp 16
3	2.6839.058.0	1	clamp Ø 17/20
4	2.0112.005.2	1	screw m 6 p.1 x 16
5	2.1310.002.2	1	washer 6.6, d125
6	2.1011.105.2	1	nut m 8 p.1.25
7	2.1310.004.2	1	flat washer 8.5
8	0.014.5373.2/10	1	bracket
9	2.0312.001.2	2	screw m 5 p.0.8 x 10
10	2.1310.001.2	2	flat washer 5.3
11	2.6839.055.0	1	clamp Ø 11 / 20
12	2.1310.004.2	1	flat washer 8.5
13	2.0112.205.2	1	screw m 8 p.1.25 x 16
14	0.015.0070.4	2	wire mm 100

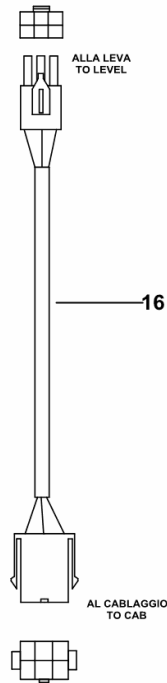
- WITH INTERFERENCE FILTER

SHUTTLE LEVER ELECTRICAL CABLE

Fig.	Code	QTY	Name
------	------	-----	------

Notes:
[DORADO F 90 -> 3001]

16	0.013.0675.4	1	wire
----	--------------	---	------



9_F2084_22_0-C-001

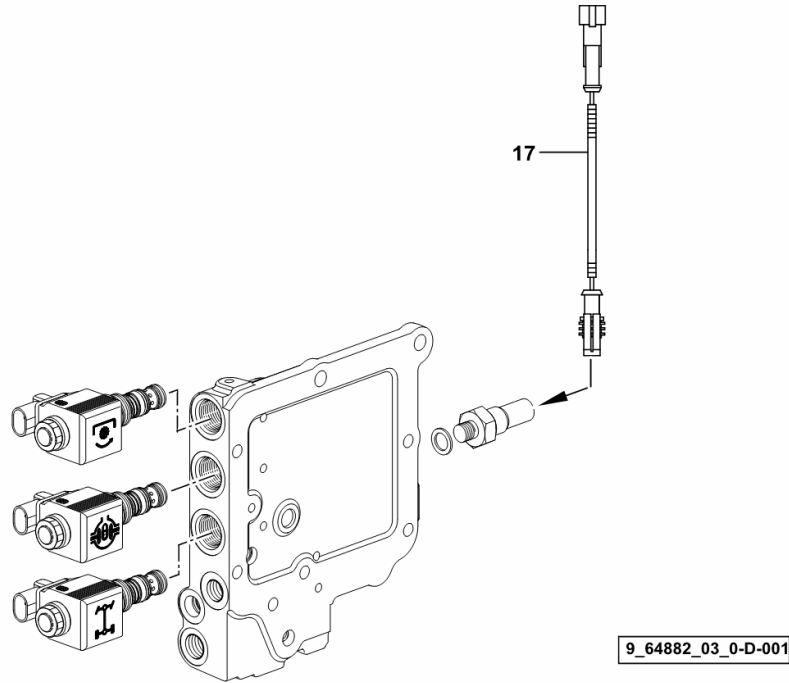
ELECTRICAL CABLE FOR OIL CONTROL VALVES HOUSING PRESSURE SWITCH

Fig.	Code	QTY	Name
------	------	-----	------

Notes:

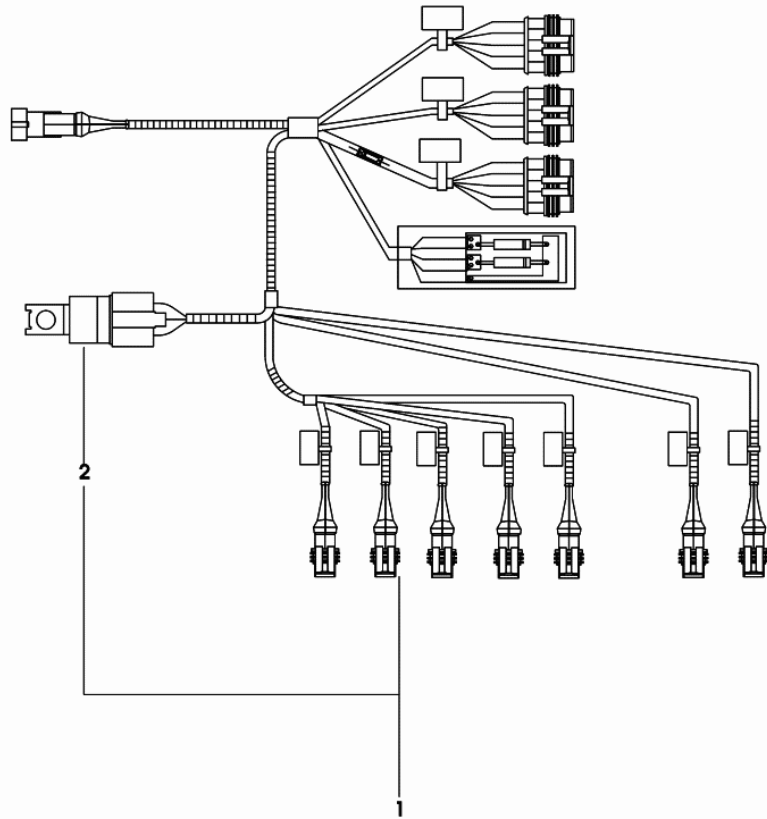
[DORADO F 90 -> 3001]

17	0.011.7711.3	1	wire mm 100
----	--------------	---	-------------



ELECTRICAL SYSTEM

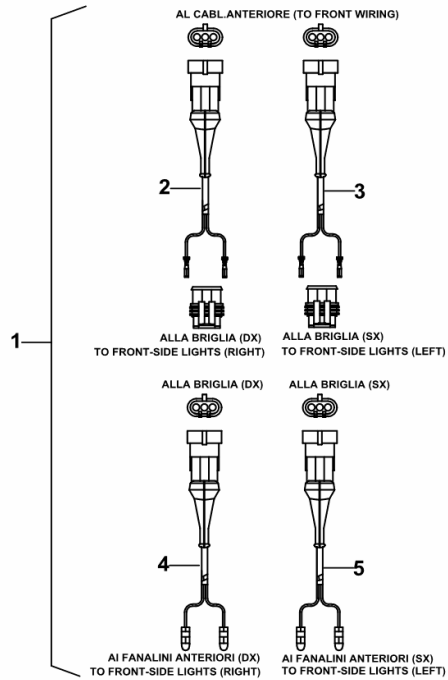
Fig.	Code	QTY	Name
1	0.012.0101.4	1	electrical system
2	0.010.3466.1	1	relay 12V-70A



012_0101_4

ELECTRICAL WIRING

Fig.	Code	QTY	Name
1	0.015.3154.4	1	electrical system
2	0.900.1207.4	1	wire dx/rh/re
3	0.900.1207.5	1	wire sx/lh/li
4	0.900.1207.6	1	wire dx/rh/re
5	0.900.1207.7	1	wire sx/lh/li



0_015_3154_4

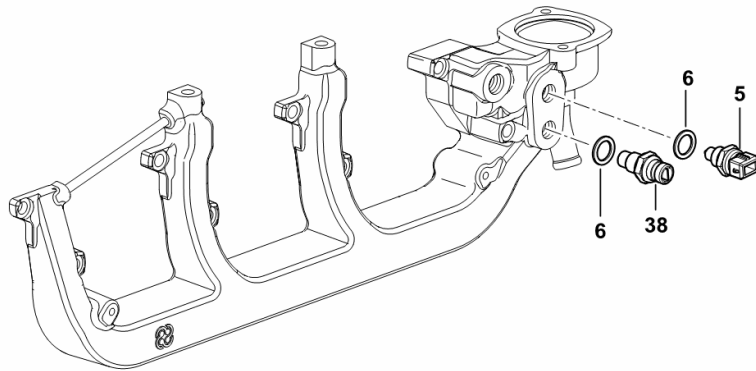
COOLING SYSTEM MANIFOLD SENSORS

Fig.	Code	QTY	Name
------	------	-----	------

Notes:

- EXPORT U.S.A. [DORADO F 90 -> 3001]

5	2.7099.640.0/10	1	tempe guage
6	2.1560.010.0	2	gasket 14.2 x 20 x 1.5
38	2.7099.800.0	1	sensor



9_O3717_00_0-B-001

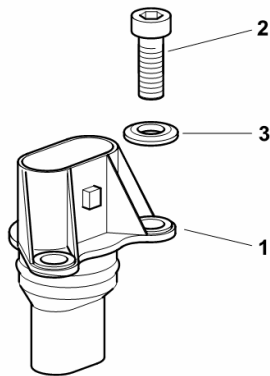
PICK-UP

Fig.	Code	QTY	Name
------	------	-----	------

Notes:

- EXPORT U.S.A. [DORADO F 90 -> 3001]

1	0.010.1214.4	1	sensor
2	2.0312.003.2	2	screw m 5 p.0.8 x 14
3	2.1480.011.2	2	washer 5



9_73184_16_0-A-001

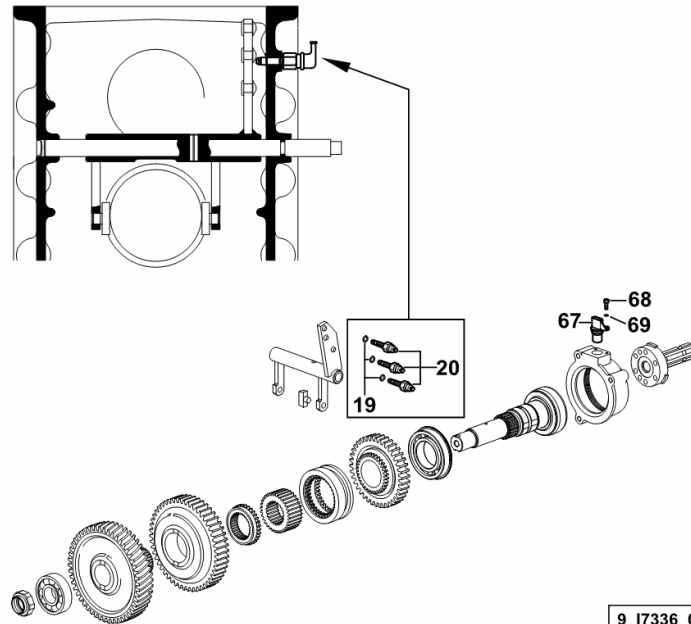
SWITCHES AND SENSOR FOR 3-SPEED P.T.O. WITH INSERTED OUTPUT SHAFTS 540-750-1000

Fig.	Code	QTY	Name
------	------	-----	------

Notes:

- EXPORT U.S.A. [DORADO F 90 -> 3001]

19	2.1560.003.0	3	gasket 8.2 x 12
20	2.7659.131.0	3	switch
67	0.010.1214.4	1	sensor
68	2.0312.003.2	2	screw m 5 p.0.8 x 14
69	2.1480.011.2	2	washer 5



9_I7336_00_0-B-001

BRAKE SENSORS

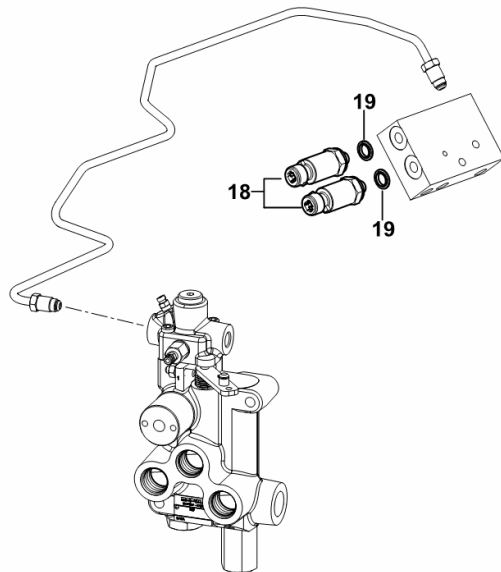
Fig.	Code	QTY	Name
------	------	-----	------

Notes:

- FOR TRACTORS WITH HYDRAULIK BREAKING FOR TRAILER [DORADO F 90 -> 3001] -> 3002

18	0.012.1507.4	2	sensor
19	2.1561.005.0	2	washer typ A

SENSO DI MARCIA (LATO DESTRO)
FORWARD SPEED (RIGHT SIDE) →



9_F1689_05_0-B-001

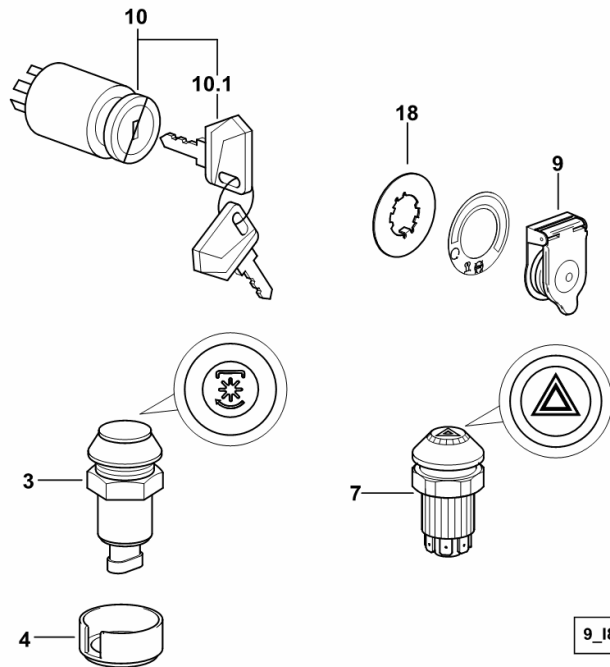
KEYSWITCH BLOCK AND PUSHBUTTONS

Fig.	Code	QTY	Name
------	------	-----	------

Notes:

- EXPORT U.S.A. [DORADO F 90 -> 3001]

3	2.7659.177.0/20	1	push-button P.T.O.
4	0.009.3987.0	1	guard
7	2.7659.285.0	1	push-button
9	0.009.7140.2/10	1	small cover
10	04411512.4	1	start device
10.1	04418435	1	key
18	0.011.4625.0	1	washer



9_I8084_03_0-A-001

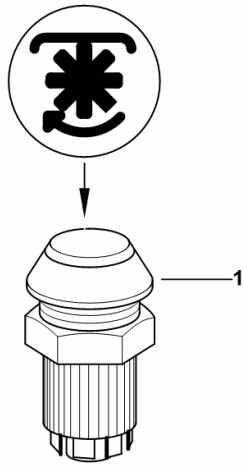
SWITCH - FOR P.T.O. FRONT

Fig.	Code	QTY	Name
------	------	-----	------

Notes:

[DORADO F 90 -> 3001] 3003 <-

1	2.7659.108.0/10	1	switch P.T.O.
---	-----------------	---	---------------



9_52684_05_0-A-001

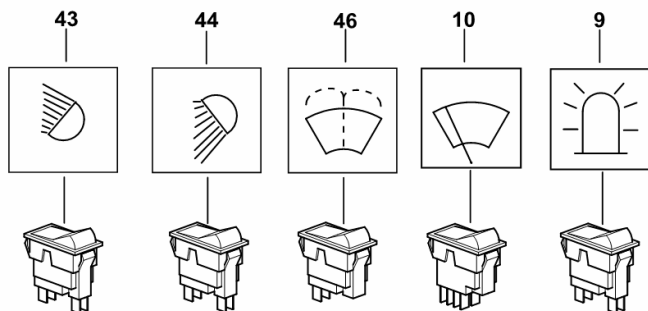
CAB TOP SWITCHES

Fig.	Code	QTY	Name
------	------	-----	------

Notes:

- FOR TRACTORS WITH AIR HEATING [DORADO F 90 -> 3001] -> 3057

9	2.7659.126.0	1	switch
10	2.7659.092.0	1	switch
43	2.7659.078.0	1	switch
44	2.7659.079.0	1	switch
46	2.7659.091.0	1	push-button



9_F1671_60_0-G-001

CLICK HERE TO **DOWNLOAD** THE COMPLETE MANUAL

- Thank you very much for reading the preview of the manual.
- You can download the complete manual from: www.heydownloads.com by clicking the link below



- Please note: If there is no response to CLICKING the link, please download this PDF first and then click on it.

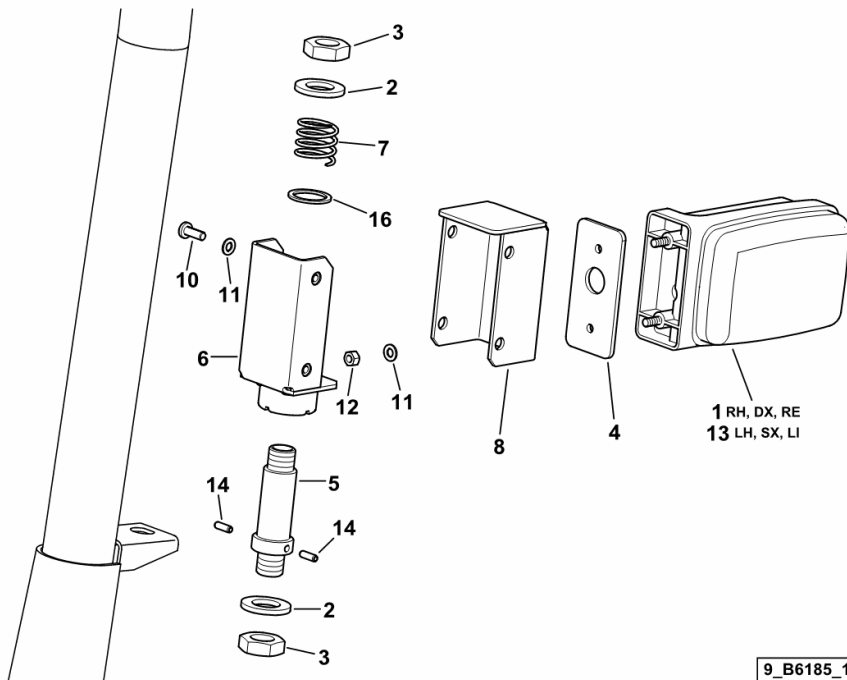
CLICK HERE TO **DOWNLOAD** THE COMPLETE MANUAL

Section: L0 - ELECTRIC AL SYSTEM
ROTATING BEACONS ON ROPS

Fig.	Code	QTY	Name
------	------	-----	------

Notes:
 [DORADO F 90 -> 3001]

1	2.8019.970.0	1	side lamp dx/rh/re ☞ 2.8019.970.0
2	2.1310.010.2	4	flat washer 16
3	2.1011.509.2	4	nut m 16 p.1.5
4	0.467.8550.0	2	gasket
5	0.013.8803.0/10	2	pin
6	0.014.3063.3/10	2	support
7	2.4019.732.2/10	2	spring
8	0.013.8740.0/10	2	lamp support
10	2.0332.305.2	8	screw m 5 p.0.8 x 14
11	2.1310.001.2	12	flat washer 5.3
12	2.1011.102.2	4	nut m 5 p.0.7
13	2.8019.960.0	1	side lamp sx/lh/li ☞ 2.8019.960.0
14	2.1630.406.0	4	roll pin 4 x 12
16	2.1560.016.0	2	gasket 20.2 x 26



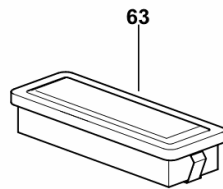
COURTESY LIGHT

Fig.	Code	QTY	Name
------	------	-----	------

Notes:

- FOR TYPES WITH HEATING AND AIR CONDITIONING [DORADO F 90 -> 3001] -> 3002

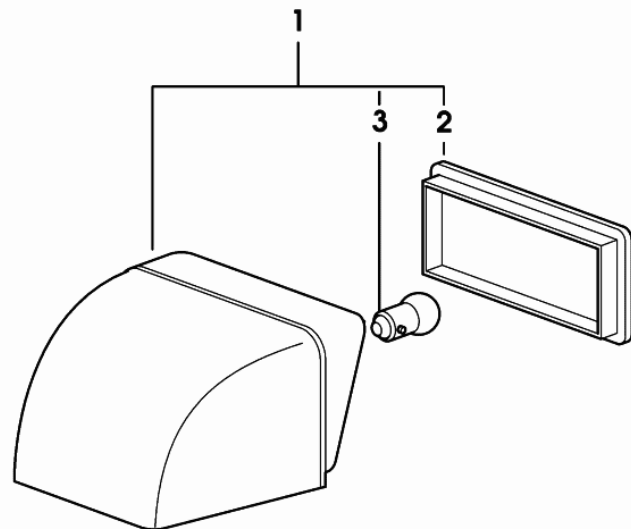
63	2.8339.032.0	1	interior light ☞ 2.8339.032.0
----	--------------	---	----------------------------------



9_F1671_65_0-E-001

HEADLAMP COMPONENTS

Fig.	Code	QTY	Name
1	2.8059.440.0/10	1	lamp
2	0.010.3486.2	1	guard
3	0.010.3487.0	1	lamp 12V - 21W



2_8059_440_0_10

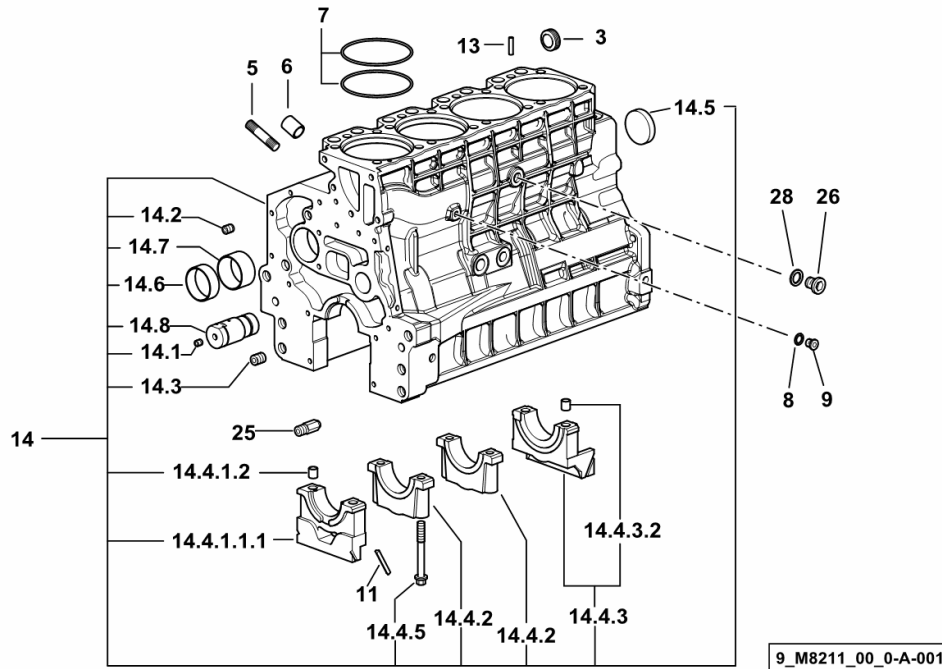
CRANKCASE

Fig.	Code	QTY	Name
------	------	-----	------

Notes:

[DORADO F 90 -> 3001]

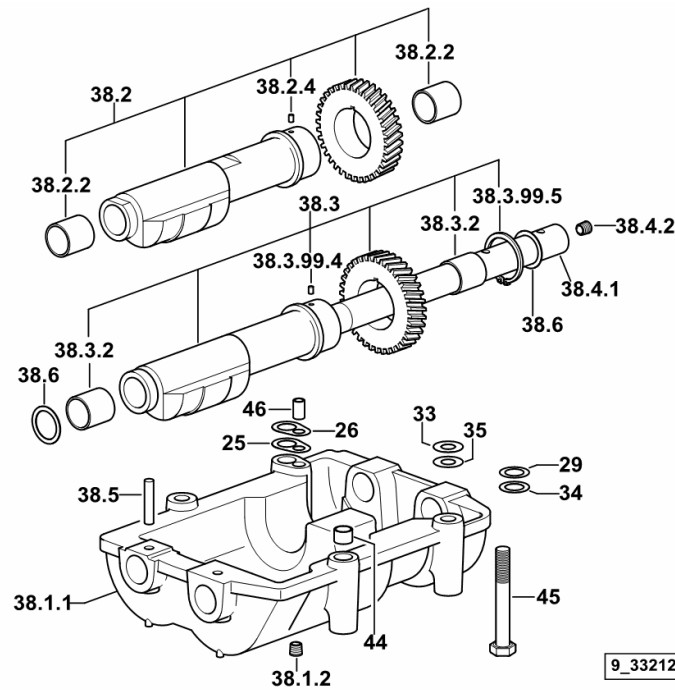
3	2.3199.312.2/20	1	plug m 35x1.5x9.5
5	2.0439.273.7	8	stud bolt m 8
6	2.1559.188.2	4	sleeve 11.4 x 14 x16
7	2.1539.259.0	8	'o' ring 107.62x2.62
8	2.1560.010.0	1	gasket 14.2 x 20 x 1.5
9	2.3199.292.0	1	plug 1/4" gas
11	0.066.1152.0/10	4	gasket
13	2.1549.154.2	4	sleeve 4.8x5.8x16
14	0.015.2988.4/10	1	crankcase
14.1	2.3130.001.1	10	plug 1/8" gas
14.2	2.3130.002.1	2	plug 1/4" gas
14.3	2.3130.003.1	6	plug 3/8" gas
14.4.1.1.1	0.065.1112.7/10	1	support
14.4.1.2	2.1699.165.0	1	sleeve 12.3x15x16
14.4.2	0.065.1114.0/10	3	support
14.4.3	0.065.1116.3	1	support
14.4.3.2	2.1699.165.0	1	sleeve 12.3x15x16
14.4.5	0.065.1117.0	10	screw m 12 x 100
14.5	2.3179.012.0	1	plug 60
14.6	0.065.1140.0	4	bushing 59X55X20
14.7	0.065.1141.0	1	bushing 59X55X30
14.8	0.014.1340.0/10	1	pin
25	0.013.4946.0/10	1	cooling nozzle
26	2.3120.101.0	1	plug m 18 p.1.5
28	2.1560.014.0	1	gasket 18.2 x 24 x 1.5



Section: B0 - ENGINE
COUNTERWEIGHTS

Fig.	Code	QTY	Name
------	------	-----	------

Notes:
 [DORADO F 90 -> 3001]



9_33212_03_0-A-001

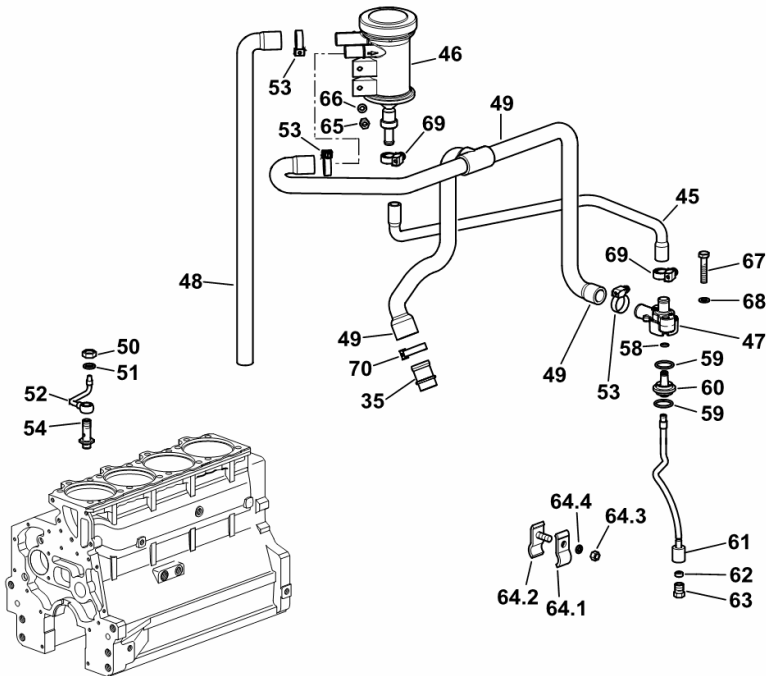
25	2.1589.139.0	1	snoulder mm 0.3
26	2.1589.140.0	3	snoulder mm 0.1
29	2.1579.628.0	3	spacer 16.5x26x0.1
33	2.1579.629.0	6	spacer 12.5x26x0.1
34	2.1589.048.0	1	snoulder 16.5x26x0.3
35	2.1589.049.0	1	snoulder 12.5x26x0.3
38.1.1	0.086.1231.0/10	1	box
38.1.2	2.3130.001.1	4	plug 1/8" gas
38.2	0.086.1233.3/30	1	mass sx/lh/li
38.2.2	2.1559.115.0	2	bushing 26x30x30
38.2.4	2.1651.302.0	1	roll pin 4x6
38.3	0.065.1233.3/30	1	mass dx/rh/re
38.3.2	2.1559.115.0	2	bushing 26x30x30
38.3.99.4	2.1651.302.0	1	roll pin 4x6
38.3.99.5	2.1410.018.7	1	circlip 45
38.4.1	0.065.1234.0/10	1	shaft
38.4.2	2.3130.001.1	1	plug 1/8" gas
38.5	2.1631.717.0	2	roll pin 8 x 40
38.6	2.1589.185.0	4	snoulder 26.1x34x1
44	2.1579.626.0	2	spacer 13.2x16x11
45	2.0139.028.2	4	screw m 12
46	2.1699.191.0	1	sleeve 7x10x16

Section: B0 - ENGINE
LUBRICATION

Fig.	Code	QTY	Name
------	------	-----	------

Notes:
 [DORADO F 90 -> 3001]

35	0.011.5918.0/10	1	tube
45	0.013.6895.0	1	tube
46	0.013.5023.0	1	sediment bowl
47	0.013.5291.0	1	flange (-> 3001)
48	0.013.8200.0	1	tube
49	0.013.6921.0	1	tube
50	2.1099.108.2	4	special nut m 10 p.1
51	2.1560.006.0	8	gasket 10.2 x 16
52	0.086.1550.2	4	cooling nozze
53	2.6851.002.0	3	clamp Ø 20/32
54	0.065.1160.3/20	4	valve
58	2.1532.012.0	1	'o' ring 6.75 x 1.78
59	2.1539.072.0	2	'o' ring 23.52 x 1.78
60	0.066.1558.0	1	sleeve
61	0.066.1557.2	1	tube
62	2.3350.003.1	1	nosepiece 8
63	2.3339.418.1	1	pipe fitting m 12 p.1
64.1	0.075.1552.0	1	bracket
64.2	0.075.1552.2	1	bracket
64.3	2.1011.103.2	1	nut m 6 p.1
64.4	2.1470.002.2	1	washer 6, d128
65	2.1120.103.2	2	nut m 6
66	2.1310.002.2	2	washer 6.6, d125
67	2.0112.215.2	2	screw m 8 p.1.25 x 40
68	2.1474.009.2	2	spring washer 8
69	2.6851.001.0	3	clamp Ø 16/25
70	2.6851.003.0	1	clamp Ø 25/40



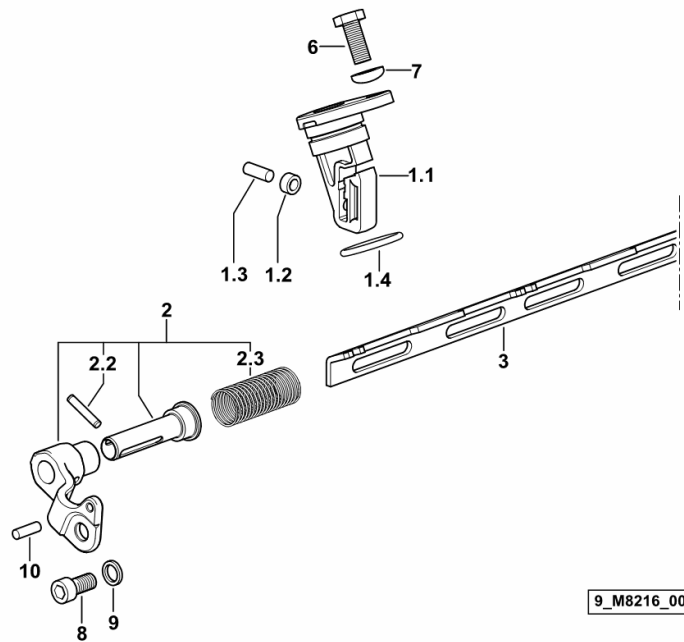
Section: B0 - ENGINE
INJECTION PUMP DRIVE

Fig.	Code	QTY	Name
------	------	-----	------

Notes:

[DORADO F 90 -> 3001]

1.1	0.012.5618.0/20	1	support
1.2	0.065.1660.0	1	roller
1.3	2.1651.507.0	1	pin 6 x 16
1.4	2.1530.072.0	1	'o' ring 26.70x1.78
2	0.013.4057.4	1	bracket
2.2	2.1631.310.0	1	pin 4x22
2.3	2.4019.761.1	1	spring
3	0.014.9234.3	1	rod
6	2.0112.207.2	2	screw m 8 p 1.25 x 20
7	2.1310.004.2	2	flat washer 8.5
8	2.0312.204.2	1	screw m 8 p.1.25 x 16
9	2.1475.202.2	1	spring washer 8.4 x 16
10	2.1631.305.0	1	roll pin 4 x 12



9_M8216_00_0-B-001

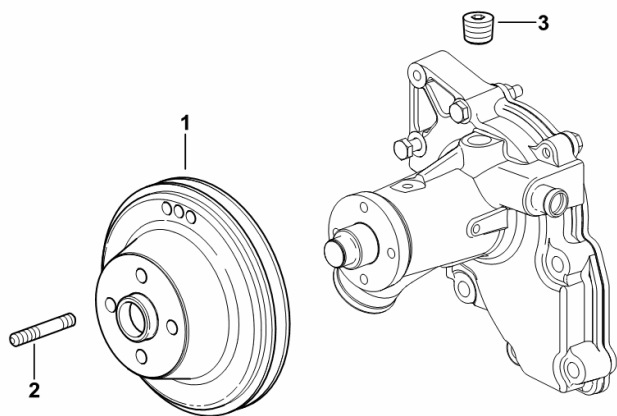
COOLANT PUMP PULLEY

Fig.	Code	QTY	Name
------	------	-----	------

Notes:

[DORADO F 90 -> 3001]

1	0.014.1060.0	1	pulley
2	2.0432.011.7	4	stud bolt m 8 p.1.25 / p.1 x 40
3	2.3130.003.1	1	plug 3/8" gas



9_N1417_03_0-A-001

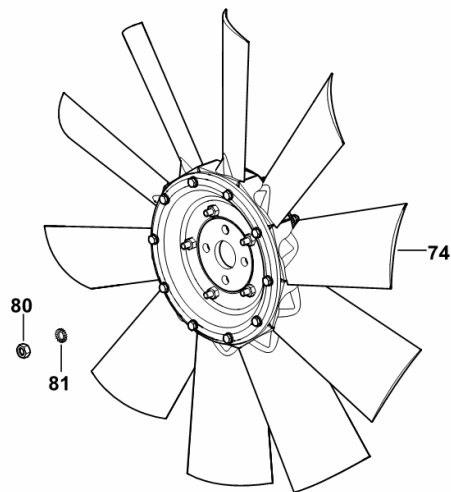
BLOWER

Fig.	Code	QTY	Name
------	------	-----	------

Notes:

[DORADO F 90 -> 3001]

74	0.013.8707.0	1	rotor blade Ø 480 mm
80	2.1011.305.2	4	nut m 8 p.1 x 8
81	2.1470.004.2	4	washer 8



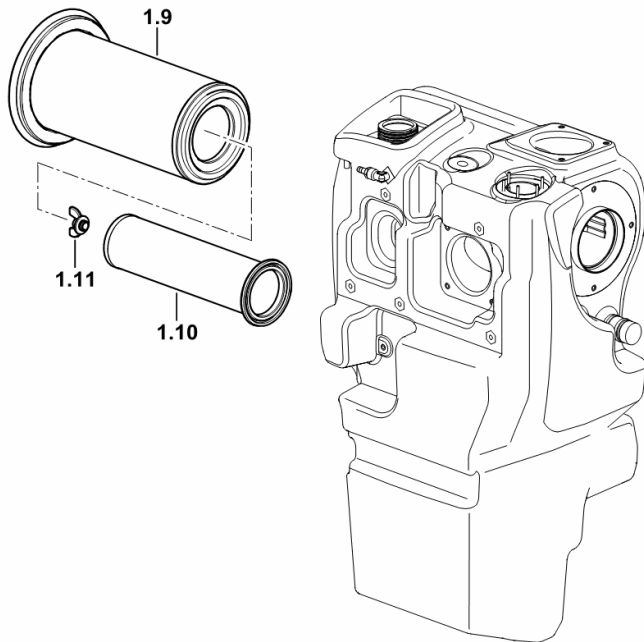
9_M4319_10_0_0

AIR CLEANER

Fig.	Code	QTY	Name
------	------	-----	------

Notes:
[DORADO F 90 -> 3001]

1.9	0.013.9979.0	1	air filter element
1.10	0.013.9980.0	1	air filter element
1.11	0.013.9978.0	1	nut



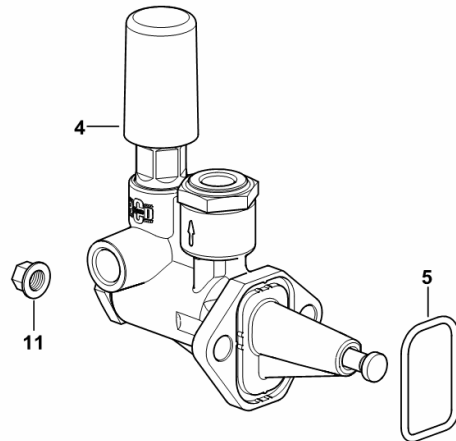
9_E6081_00_0-B-001

FUEL FEED PUMP

Fig.	Code	QTY	Name
------	------	-----	------

Notes:
[DORADO F 90 -> 3001]

4	2.4519.330.0/50	1	feed pump ☞ 2.4519.330.0/50
5	2.1539.045.0	1	'o' ring 37.77x2.62
11	2.1099.159.2/10	2	nut m 8



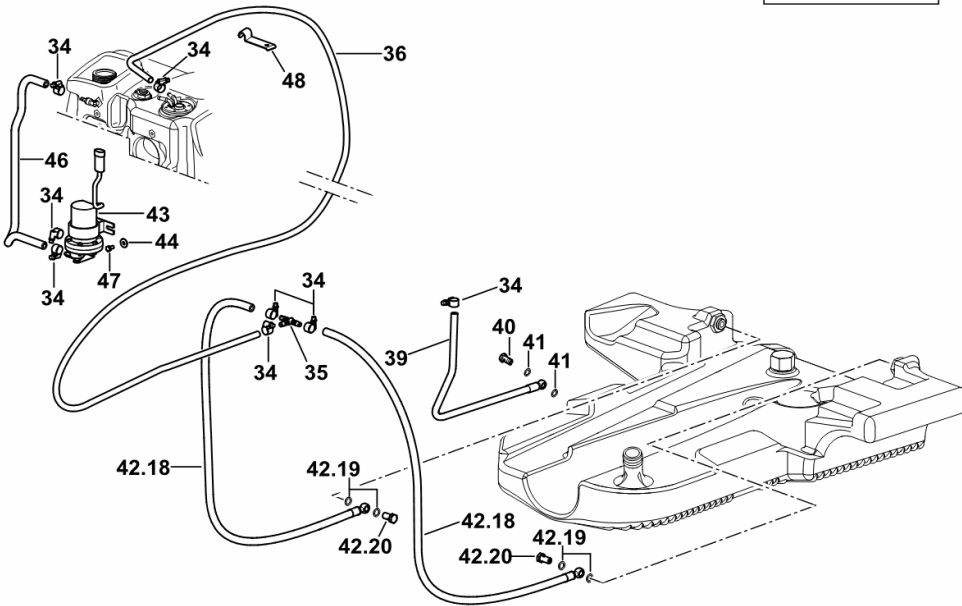
9_M8216_00_0-A-001

SUPPLEMENTARY FUEL TANK PIPES

Fig.	Code	QTY	Name
------	------	-----	------

Notes:

[DORADO F 90 -> 3001] 3035 <-



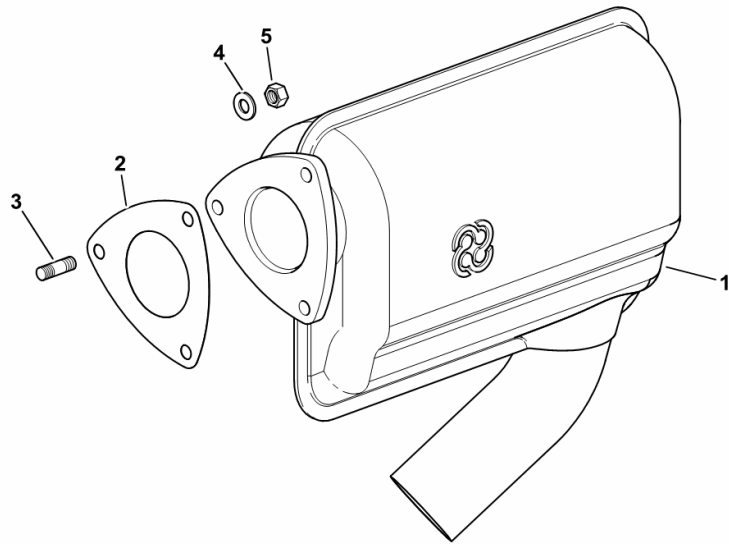
34	2.6851.001.0	8	clamp Ø 16/25
35	0.009.8380.0	1	pipe fitting T
36	0.012.6343.0	1.9	tube
39	0.014.0146.3	1	tube
40	2.3332.003.2	1	pipe union m 12 p.1.25 x 23
41	2.1560.008.0	2	gasket 12.2 x 18
42.18	0.011.5935.3/10	2	tube mm 1400
42.19	2.1560.008.0	4	gasket 12.2 x 18
42.20	2.3332.003.2	2	pipe union m 12 p.1.25 x 23
43	0.012.3643.4/20	1	small pump
44	2.1312.003.2	2	washer 6
46	0.012.6451.0	0.6	tube Ø mm 8/15
47	2.0112.003.2	2	screw m 6 p.1 x 12
48	0.013.4550.0	1	bracket

EXHAUST SILENCER

Fig.	Code	QTY	Name
------	------	-----	------

Notes:
[DORADO F 90 -> 3001]

1	0.007.1695.2/10	1	silencer
2	0.008.3318.0	1	gasket
3	2.0432.003.7	3	stud bolt m 8 p.1.25 / p.1 x 20
4	2.1474.009.2	3	spring washer 8
5	2.1019.033.0	3	special nut m 8 p.1 x 8



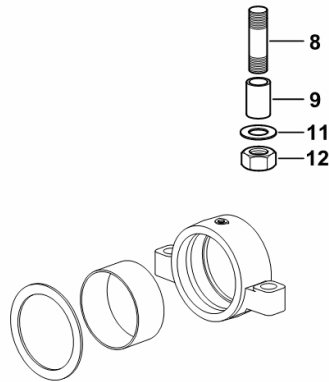
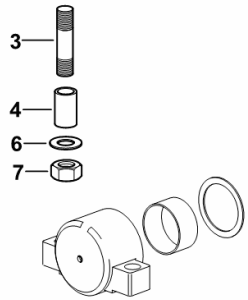
9_63056_00_0-A-001

Section: F0 - FRONT AXLE
FRONT SUPPORT - FIXINGS

Fig.	Code	QTY	Name
------	------	-----	------

Notes:
 [DORADO F 90 -> 3001]

3	2.0432.419.7	2	stud bolt m 16 p.2-1.5x70
4	2.1559.030.0	2	bushing 16.5x22x35
6	2.1475.006.2	2	washer 16
7	2.1011.309.2	2	nut m 16 p.1.5
8	2.0432.518.7	2	stud bolt m 18 p.2.5-1.5x65
9	2.1559.010.0	2	bushing 18.5x24x35
11	2.1475.007.7	2	washer 18
12	2.1011.310.2	2	nut m 18 p.1.5



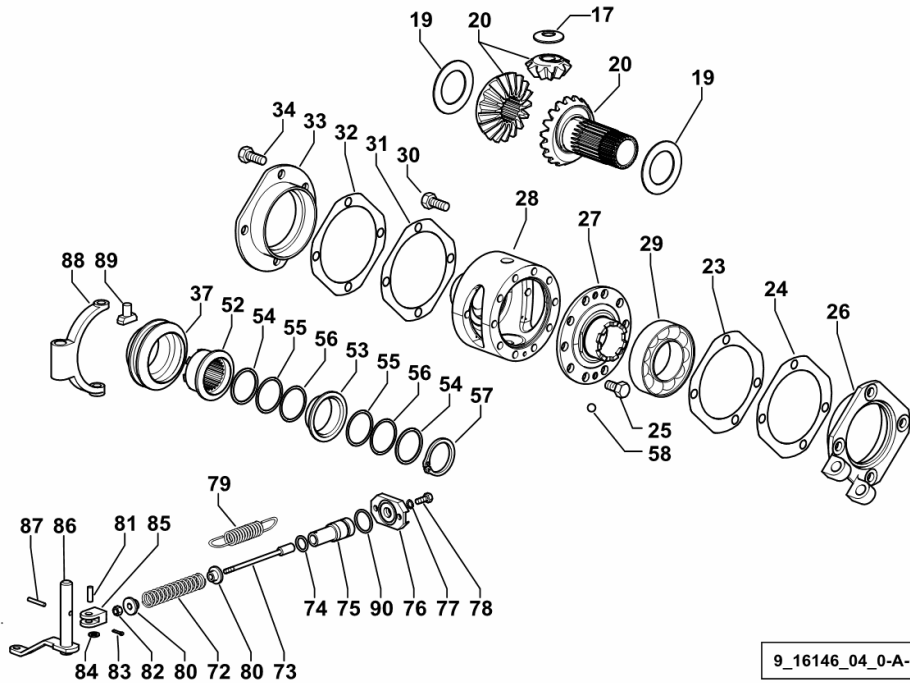
9_49052_00_0-A-001

4WD - ELECTROHYDRAULIC DIFFERENTIAL LOCK

Fig.	Code	QTY	Name
------	------	-----	------

Notes:
[DORADO F 90 -> 3001]

17	0.255.4629.0	2	snoulder 15.5x36x2
19	2.1599.431.0	2	snoulder 42x66x2
20	0.275.4622.3/10	1	crown wheel (3096 <-)
20	0.275.4622.3/30	1	crown wheel (-> 3097)
23	0.445.4656.0/10	2	shim 92x127x0.2
24	0.445.4655.0/10	2	shim 92x127x0.5
25	2.0139.002.1	10	screw m 10 p.1.25 x 20
26	0.467.4650.0/30	1	flange
27	0.255.4615.0/40	1	flange
28	0.275.4610.0/10	1	differential carrier
29	2.2520.011.0	1	roller bearing 50x90x21.75
30	2.0139.025.1	10	screw m 10 p.1.25 x 25
31	0.146.4653.0/10	4	shim 96x127x0.2
32	0.146.4654.0/10	4	shim 96x127x0.5
33	0.255.4652.0/20	1	flange
34	2.0132.207.2	8	screw m 10 p.1 x 25
37	0.255.4617.0	1	sleeve
52	0.255.4618.0/10	1	sleeve
53	0.255.4619.0	1	spacer (3096 <-)
53	0.255.4619.0/10	1	spacer (-> 3097)
54	2.1599.317.0	2	thrust plate 38.5 x 44.50 x 1.5 (3096 <-)
54	2.1599.317.0/10	2	thrust plate 38.5 x 44.50 x 2 (-> 3097)
55	2.1580.130.0	4	shim 38.5 x 44.50 x 0.5
56	2.1580.131.0	4	shim 38.5 x 44.50 x 0.2
57	2.1410.015.1	1	circlip 38 (3096 <-)
57	2.1412.014.7	1	circlip 38 (-> 3097)
58	2.2810.006.0	17	ball 3/8" WD
72	2.4019.397.2	1	spring
73	0.467.4659.0/10	1	ferrule
74	2.1530.043.0	1	'o' ring 17.13x2.62
75	0.007.6282.0/30	1	piston
76	0.011.6632.0	1	small plate
77	2.1470.002.2	2	washer 6, d128
78	2.0112.005.2	2	screw m 6 p.1 x 16
79	2.4049.164.2	1	spring
80	0.272.4651.0	2	spacer
81	2.1671.103.2	1	pin 6x18
82	2.1011.103.2	1	nut m 6 p.1
83	2.1690.205.2	1	split pin 2x12
84	2.1310.002.2	1	washer 6.6, d125
85	2.3510.003.2	1	fork m 6

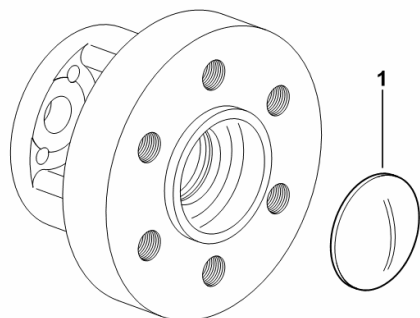


Section: F0 - FRONT AXLE
FRONT WHEEL HUB COVER

Fig.	Code	QTY	Name
------	------	-----	------

Notes:
[DORADO F 90 -> 3001]

1	0.012.7084.3/10	2	cover Ø 60 mm
---	-----------------	---	---------------

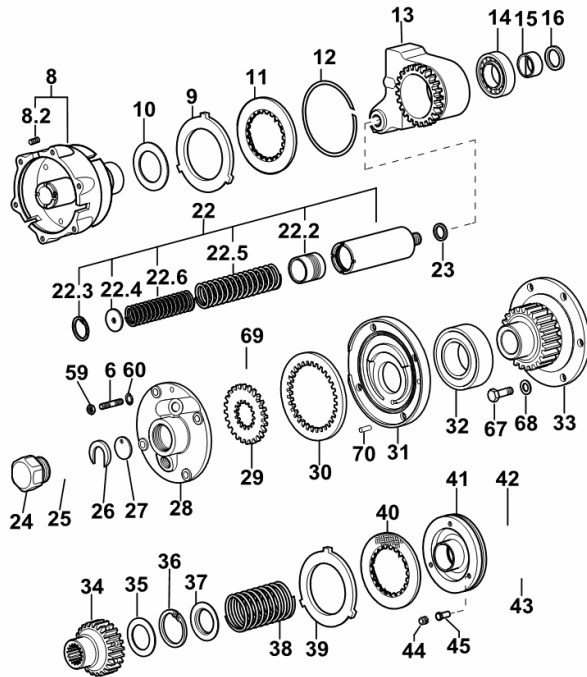


9_40846_10_0-A-001

Section: M0 - FRONT PTO
P.T.O. FRONT

Fig.	Code	QTY	Name
------	------	-----	------

Notes:
 [DORADO F 90 -> 3001] -> 3003



9_F1659_85_0-B-001

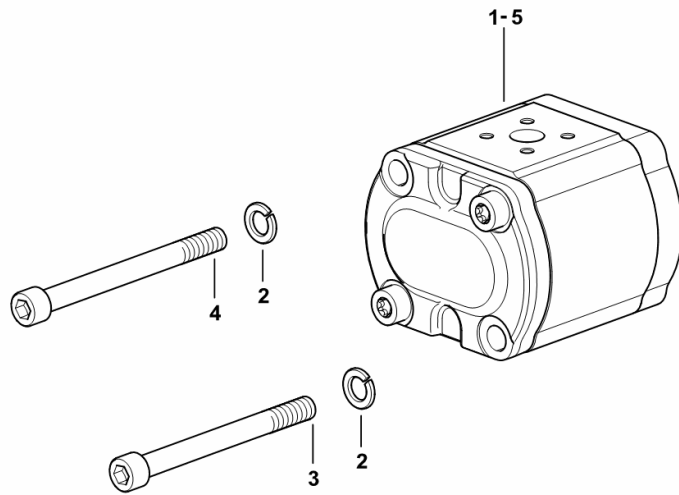
6	2.0422.209.2	4	screw m 8 x 35
8	0.010.1354.3	1	box
8.2	2.0512.002.7	1	grain m 5 p.0.8 x 8
9	0.008.9948.0	2	disc
10	2.1569.109.0/10	3	gasket 46 x 50 x 2.0
11	0.008.9947.2	1	brake disc
12	2.1499.137.7	1	circlip 100
13	0.010.1274.3/10	1	distributor
14	2.2021.013.0	1	ball bearing 45x75x16
15	2.1555.314.0	1	bushing 25x28x20
16	2.1520.110.0	1	oil seal 25 x 45 x 10
22	0.010.0526.4/10	1	accumulator P.T.O.
22.2	0.010.0525.0	1	piston
22.3	2.1411.013.7	1	circlip Ø 32
22.4	2.1599.241.0	1	snoulder 6.0 x 31 x 2.0
22.5	2.4019.636.1	1	spring 20.8 x 27.2 x 3.2 x 86.5
22.6	2.4019.638.1	1	spring 14.2 x 19.4 x 2.6 x 58
23	2.1560.010.0	1	gasket 14.2 x 20 x 1.5
24	0.010.1337.0	1	cover
25	2.1560.029.0	1	gasket 42.3 x 49
26	0.010.1340.0	1	thrust plate
27	0.010.1341.0	1	thrust plate
28	0.010.1328.0/20	1	flange
29	0.010.1368.0	1	pinion
30	0.008.1362.0/10	1	crown wheel Z = 31
31	0.010.1314.0/10	1	pump casing
32	2.2045.013.0	1	bearing 45 x 85 x 19
33	0.013.8677.0/10	1	gear Z = 23
34	0.010.1355.0	1	hub
35	2.2685.006.0	1	thrust plate 25 x 42 x 1.0
36	2.1420.014.7	1	circlip Ø 35
37	0.007.6115.0	1	small disc
38	2.4019.618.1/10	1	spring
39	0.013.9480.0	5	disc
40	0.008.9946.2	5	clutch disc
41	0.007.6120.0/10	1	piston
42	2.1539.098.0	1	'o' ring 94.92 x 2.62
43	2.1539.140.0	1	'o' ring 34.5 x 2.62
44	2.0599.082.1/10	3	grain m 10 p.1 x 8.3
45	2.1699.396.0/10	3	pin 6 x 13
59	2.1011.105.2	7	nut m 8 p.1.25

HYDRAULIC PUMP 16 cc - sx/lh/li

Fig.	Code	QTY	Name
------	------	-----	------

Notes:
[DORADO F 90 -> 3001]

1	2.4539.310.0/10	1	hydraulic pump 16cc sx/lh/li - BOSCH ☞ 2.4539.310.0/10
2	2.1474.010.2	2	washer 10
3	2.0312.327.2	1.4	screw m 10 p.1.5x110
4	2.0312.328.2	0.6	screw m 10 p.1.5x120
5	2.4529.920.0	0	hydraulic pump 17cc sx/lh/li - SAUER - ☞ 2.4529.920.0



9_F0282_02_0-A-001

DORADO F 90 -> 3001

Section: H0 - HYDRAULIC AND PNEUMATIC SYSTEM|

Ref.: H0.01.14 (1)

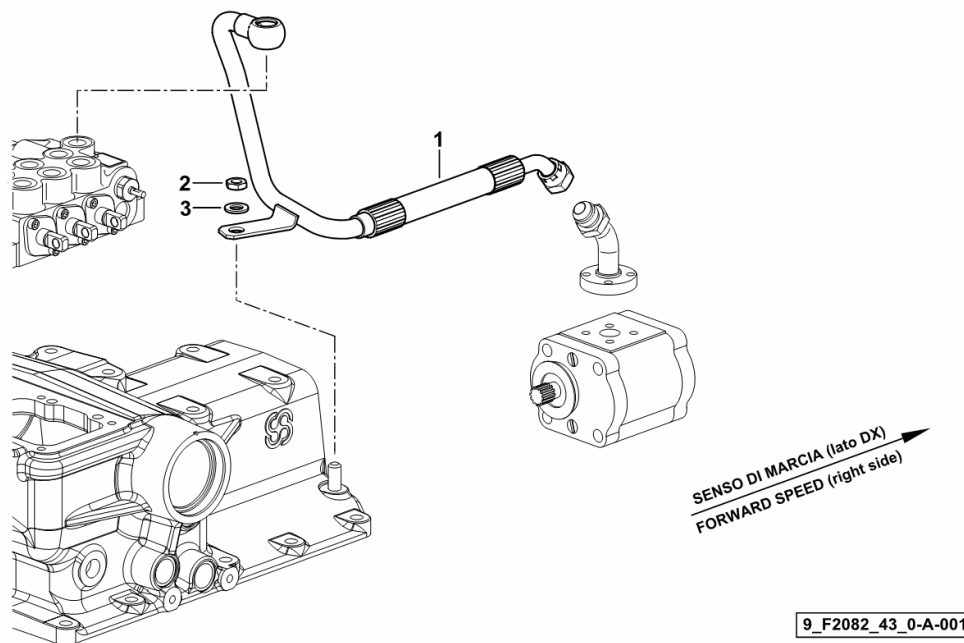
SYSTEM FROM HYDRAULIC PUMP TO 6-WAY DIRECTIONAL CONTROL VALVE

Fig.	Code	QTY	Name
------	------	-----	------

Notes:

- FOR TYPES WITHOUT HYDRAULIC BRAKING [DORADO F 90 -> 3001]

1	0.014.5652.3/10	1	tube
2	2.1011.521.2	1	nut m 10 p.1.25
3	2.1475.003.2	1	washer 10

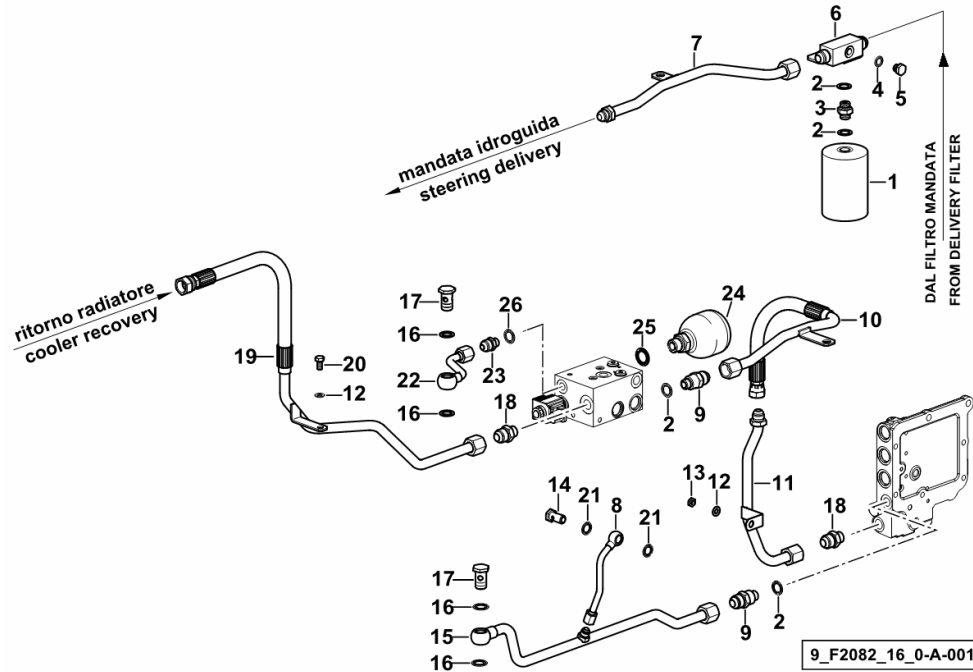


HYDRAULIC SYSTEM

Fig.	Code	QTY	Name
------	------	-----	------

Notes:

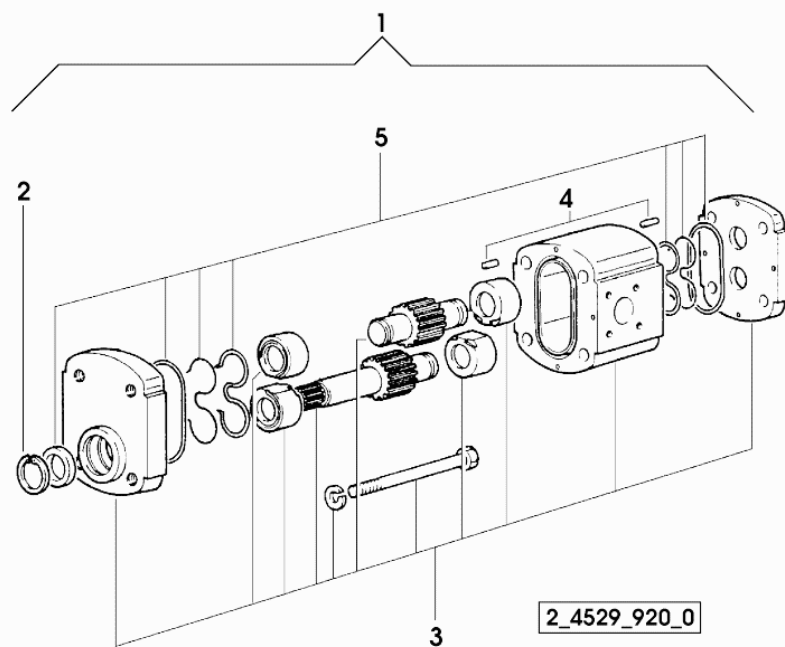
- FOR TYPES WITHOUT H-M-L (POWERSHIFT) [DORADO F 90 -> 3001]



1	0.011.4186.2	1	vibration damper 270 cc
2	2.1561.008.0	4	'o' ring 16
3	0.299.6358.0/20	1	pipe fitting M 16/M 16 Ø5
4	2.1561.006.0	1	'o' ring 12
5	2.3110.402.2	1	plug m 12 p.1.5
6	0.014.5636.3	1	body
7	0.014.8244.3	1	tube
8	0.014.7065.3	1	tube
9	2.3249.110.2	2	pipe fitting 7/8" - 14 JIC M 16
10	0.014.5628.3	1	tube
11	0.014.5629.3	1	tube
12	2.1475.002.2	2	conical washer 8
13	2.1011.205.2	1	nut m 8 p.1.25
14	2.3335.006.2	1	pipe union m 14 p.1.5x24
15	0.014.5923.3/10	1	tube
16	2.1561.110.0	4	'o' ring Ø 18 -B-
17	2.3335.008.2	2	pipe union m 18 p.1.5 x 32
18	2.3249.141.2	2	pipe fitting 7/8 JIC-M18
19	0.014.5633.3/10	1	tube
20	2.0112.205.2	1	screw m 8 p.1.25 x 16
21	2.1561.107.0	2	'o' ring Ø 14 -B-
22	0.014.5630.3	1	tube
23	2.3339.594.2/10	1	pipe fitting m 14 p.1.5-3/4-16
24	0.013.8759.0/10	1	accumulator
25	2.1561.112.0	1	gasket Ø 22 -B-
26	2.1561.007.0	1	gasket 14,8x22.2

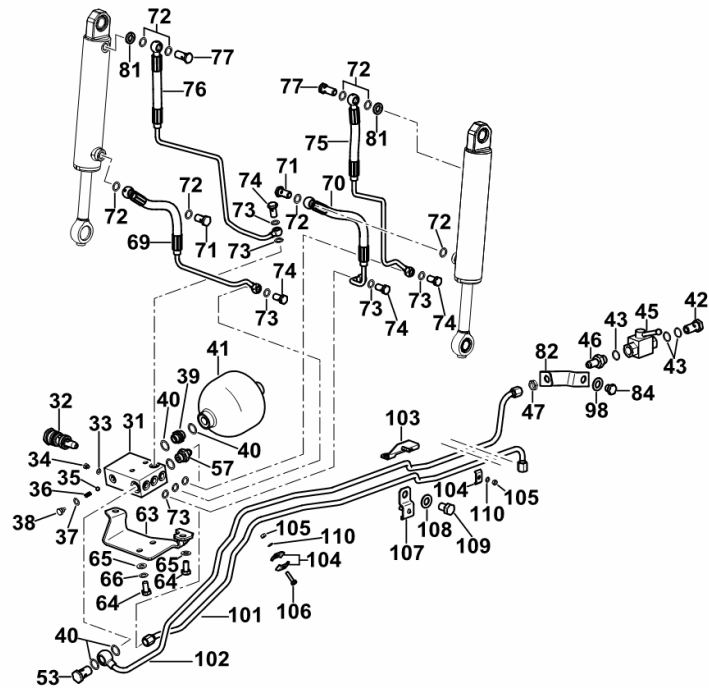
HYDRAULIC PUMP PARTS

Fig.	Code	QTY	Name
1	2.4529.920.0	1	hydraulic pump 17cc sx/lh/li - SAUER -
2	0.009.4129.1	1	circlip
3	0.000.0000.1	0	not serviceable
4	0.009.4130.1	1	roller
5	0.009.4128.1	1	seal ring kit



FRONT LIFT - HYDRAULIC SYSTEM

Fig.	Code	QTY	Name
106	2.0112.009.2	1	screw m 6 p.1 x 25
107	0.015.0367.2	1	bracket
108	2.1310.009.2	1	flat washer 14
109	2.0112.507.2	1	screw m 14 p.2x20
110	2.1470.002.2	2	washer 6, d128



9_F1659_80_0-B-001

DORADO F 90 -> 3001

Section: H0 - HYDRAULIC AND PNEUMATIC SYSTEM|

Ref.: H0.06.0 (1)

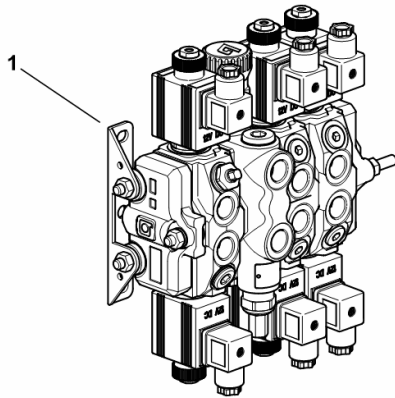
AUXILIARY FRONT HYDRAULIC DISTRIBUTOR WITH 6 OIL WAYS - ON / OFF

Fig.	Code	QTY	Name
------	------	-----	------

Notes:

[DORADO F 90 -> 3001]

1	2.3729.500.0	1	distributor ☞ 2.3729.500.0
---	--------------	---	-------------------------------



9_F7088_25_0-A-001

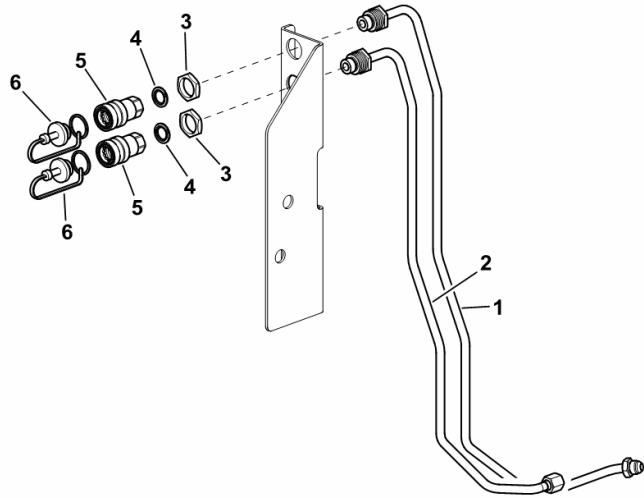
4+1 MID-MOUNT HYDRAULIC COUPLERS - FRONT

Fig.	Code	QTY	Name
------	------	-----	------

Notes:

- FOR TYPES WITH SAFETY FRAME [DORADO F 90 -> 3001]

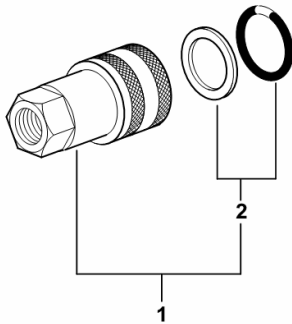
1	0.014.7809.3	1	tube
2	0.014.7808.3	1	tube
3	2.1019.091.2	2	special nut m 30 p.1.5x8
4	2.1569.206.0	2	gasket
5	0.98308.50.3/10	2	coupling FEMALE ☞ 0.98308.50.3/10
6	0.013.7997.0	2	plug - BLACK



9_F7188_08_0-A-001

ENGAGEMENT

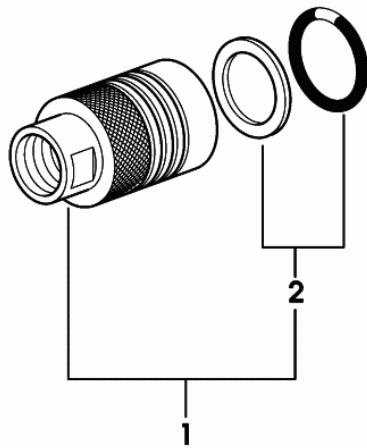
Fig.	Code	QTY	Name
1	0.98308.50.3/10	1	coupling
2	04438079	1	seal ring kit



0_98308_50_3_10

ENGAGEMENT

Fig.	Code	QTY	Name
1	0.98309.50.3/10	1	coupling
2	04438079	1	seal ring kit



0_98309_50_3_10

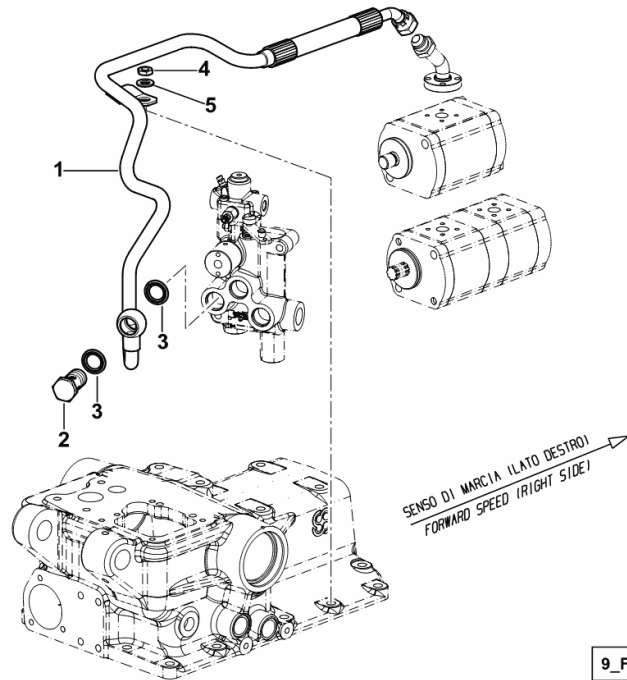
SYSTEM FROM HYDRAULIC PUMP TO HYDRAULIC BRAKES

Fig.	Code	QTY	Name
------	------	-----	------

Notes:

[DORADO F 90 -> 3001] -> 3002

1	0.015.2203.3	1	tube
2	2.3335.009.2	1	pipe union m 22 p.1.5 x 39
3	2.1561.112.0	2	gasket Ø 22 -B-
4	2.1011.521.2	1	nut m 10 p.1.25
5	2.1475.003.2	1	washer 10

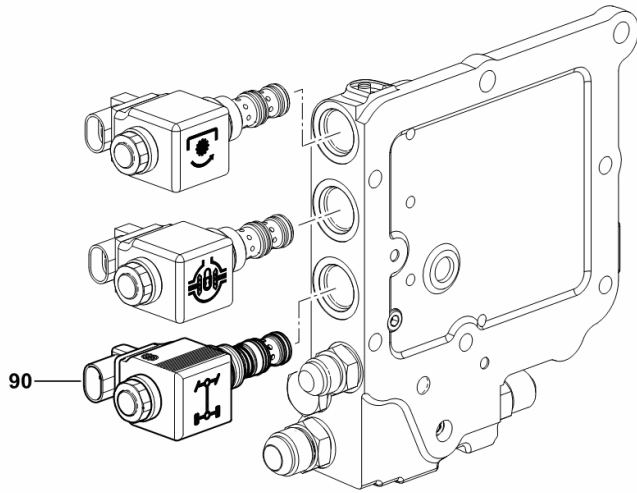


SOLENOID VALVE - 4WD

Fig.	Code	QTY	Name
------	------	-----	------

Notes:
[DORADO F 90 -> 3001]

90	2.3729.697.0/20	1	electro valve 13V - 20W ☞ 2.3729.697.0/20
----	-----------------	---	--



9_18382_04_0-A-001

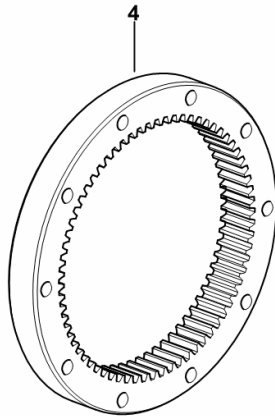
REAR AXLE CROWN WHEEL

Fig.	Code	QTY	Name
------	------	-----	------

Notes:

[DORADO F 90 -> 3001]

4	0.008.5160.0/10	2	bevel ring gear Z = 69
---	-----------------	---	------------------------



9_64847_00_0-B-001

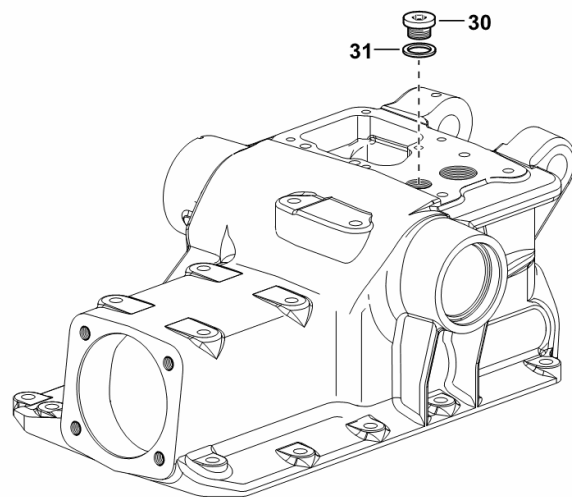
PLUG

Fig.	Code	QTY	Name
------	------	-----	------

Notes:

- FOR TYPES WITH MECHANICAL LIFTER [DORADO F 90 -> 3001]

30	2.3120.002.4	1	plug m 22 x 1.5
31	2.1560.017.0	1	gasket 22.2 x 27



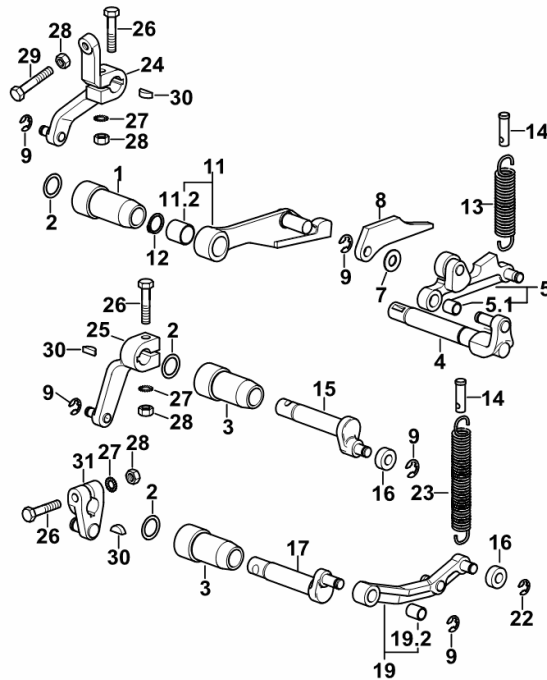
W9_58959_21_0-C-001

Section: R0 - REAR LIFT
INTERNAL CONTROLS

Fig.	Code	QTY	Name
------	------	-----	------

Notes:

- FOR TYPES WITH MECHANICAL LIFTER [DORADO F 90 -> 3001]



W9_58959_41_0-A-001

1	0.001.3659.0	1	bushing
2	2.1530.034.0	3	'o' ring 13.95x2.62
3	0.9104.425.0	2	bushing
4	0.009.2389.3/10	1	pin
5	0.009.2390.3/20	1	lever
5.1	2.1555.004.0	1	bushing 8x10x10
7	2.1310.004.2	1	flat washer 8.5
8	0.009.2391.0/10	1	lever
9	2.1430.008.7	5	circlip 7
11	0.009.2392.3	1	lever
11.2	2.1555.207.0	1	bushing 14x16x15
12	2.1410.003.1	1	circlip 14
13	2.4049.178.1/10	1	spring
14	0.9000.562.0	2	pin
15	0.9104.441.0/10	1	lever
16	0.001.3702.0	2	roller
17	0.009.2393.0/20	1	pin
19	0.009.2848.3	1	lever
19.2	2.1555.104.0	1	bushing 8x10x12
22	2.1430.007.7	1	circlip 6, d128
23	2.4049.183.1	1	spring
24	0.009.2394.3/10	1	lever
25	0.009.2395.3/20	1	lever
26	2.0112.011.2	3	screw m 6 p.1x30
27	2.1470.002.2	3	washer 6, d128
28	2.1011.103.2	4	nut m 6 p.1
29	2.0114.011.2	1	screw m 6 p,1x30
30	2.1720.005.0	3	key 4x5
31	0.009.2398.3/20	1	lever

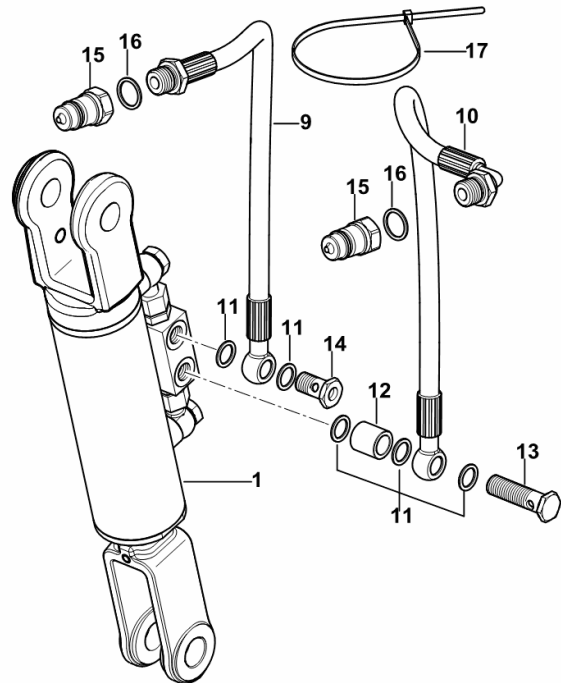
3-POINT LINKAGE - ADJUSTABLE HYDRAULIC TIE ROD

Fig.	Code	QTY	Name
------	------	-----	------

Notes:

[DORADO F 90 -> 3001] -> 3003

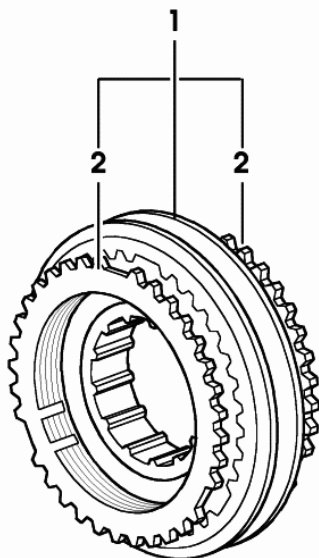
1	0.015.2274.4	1	rod ☞ 0.015.2274.4
9	0.011.7526.3	1	tube L = mm 710
10	0.011.7527.3	1	tube L = mm 800
11	2.1560.012.0	5	gasket 16.2 x 22 x 1.5
12	2.1549.417.2	1	spacer 16,3x24x25
13	2.3339.701.2/10	1	pipe union m 16 p.1.5
14	2.3335.007.2	1	pipe union m 16 p.1.5
15	0.98309.51.3/10	2	coupling 1/2
16	2.1560.054.0	2	gasket 21 x 26
17	2.6852.203.0	3	clamp 292 x 4.8



9_F1658_03_0-A-001

SYNCHRONIZER PARTS

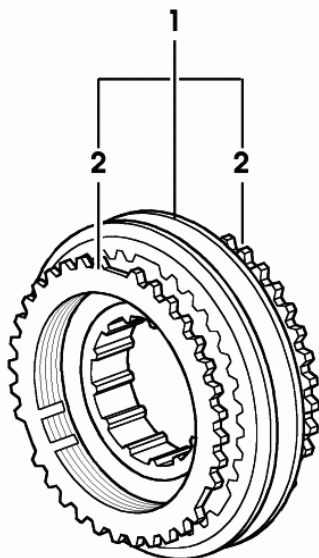
Fig.	Code	QTY	Name
1	0.007.7620.4/10	1	lock synchronizer 62
2	0.010.2136.0	2	ring



007_7620_4_10

SYNCHRONIZER PARTS

Fig.	Code	QTY	Name
1	0.007.7620.4/10	1	lock synchronizer 62
2	0.010.2136.0	2	ring



007_7620_4_10

Section: D0 - TRANSMISSION
GEARBOX UPPER COVER

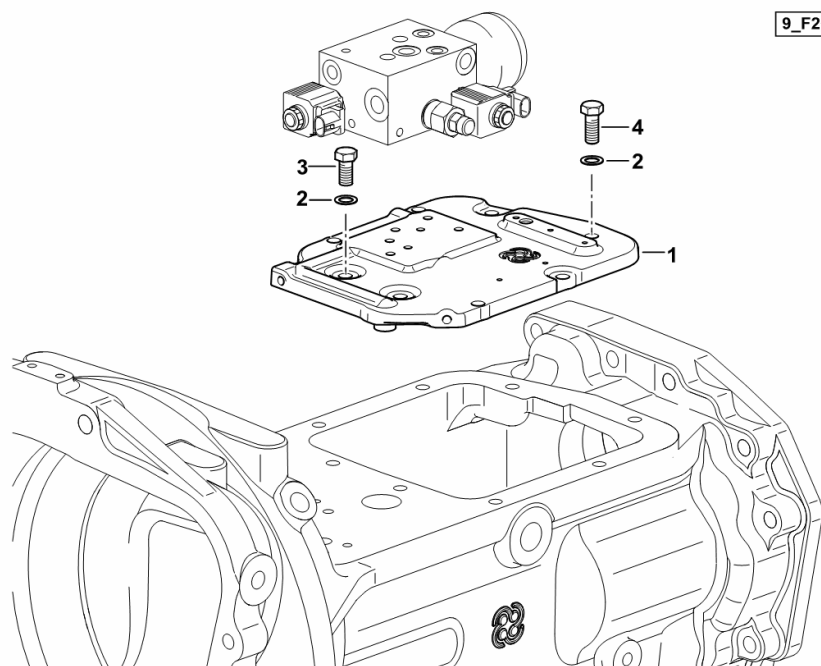
Fig.	Code	QTY	Name
------	------	-----	------

Notes:

- FOR TYPES WITH H-M-L- (POWERSHIFT) [DORADO F 90 -> 3001]

1	0.014.4333.3	1	cover
2	2.1470.007.2	8	lock washer 12
3	2.0112.409.2	4	screw m 12 p.1.75 x 25
4	2.0112.411.2	4	screw m 12 p.1.75 x 30

9_F2082_20_0-A-001

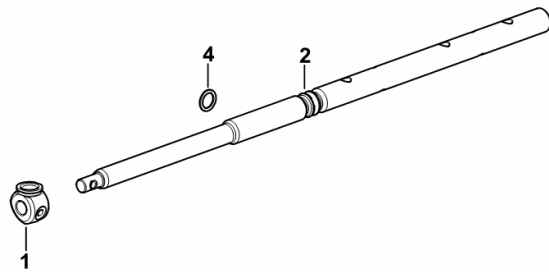


Section: D0 - TRANSMISSION
GEARBOX CONTROL ROD

Fig.	Code	QTY	Name
------	------	-----	------

Notes:
 [DORADO F 90 -> 3001] -> 3026

1	0.010.0539.0/20	1	hub
2	0.013.6443.0/20	1	rod
4	2.1560.012.0	1	gasket 16.2 x 22 x 1.5



9_D3233_04_0-A-002

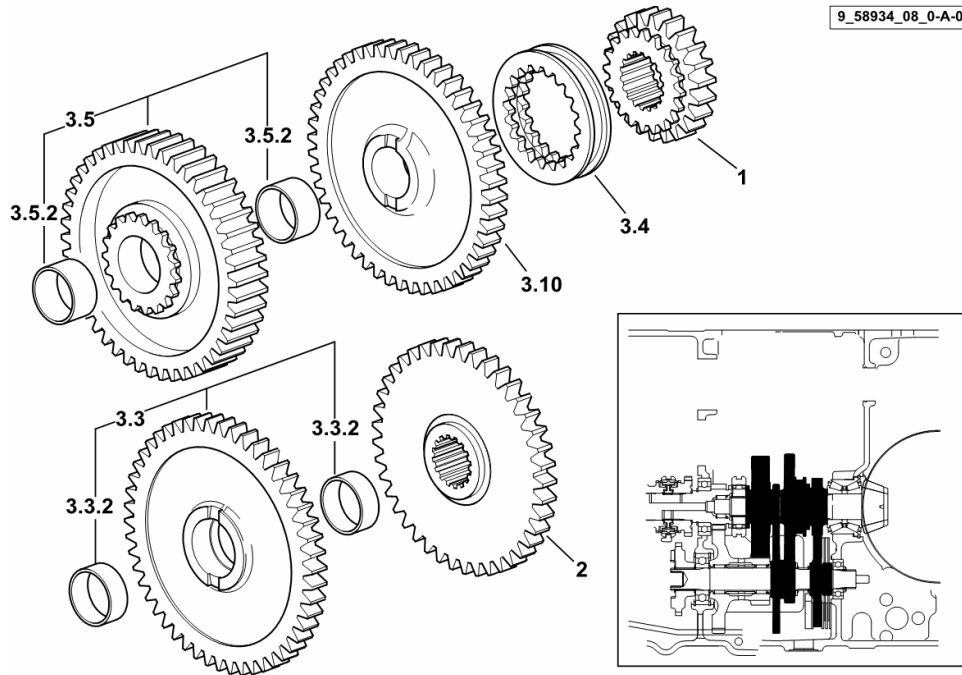
Section: D0 - TRANSMISSION
3-RANGE BOX - 40 Km/h

Fig.	Code	QTY	Name
------	------	-----	------

Notes:
 [DORADO F 90 -> 3001]

1	0.008.5561.0/10	1	gear Z = 29
2	0.008.5562.0/10	1	gear Z = 45
3.3	0.008.5112.3/20	1	gear Z = 50 / Z = 20
3.3.2	2.1552.120.0	2	bushing 35 x 39x 15
3.4	0.008.5237.0/10	1	sleeve Z = 20
3.5	0.009.7015.3/10	1	gear Z = 19 / Z = 46
3.5.2	2.1559.170.0	2	bushing 34 x 38 x 20
3.10	0.008.5111.0/10	1	gear Z = 48

9_58934_08_0-A-001



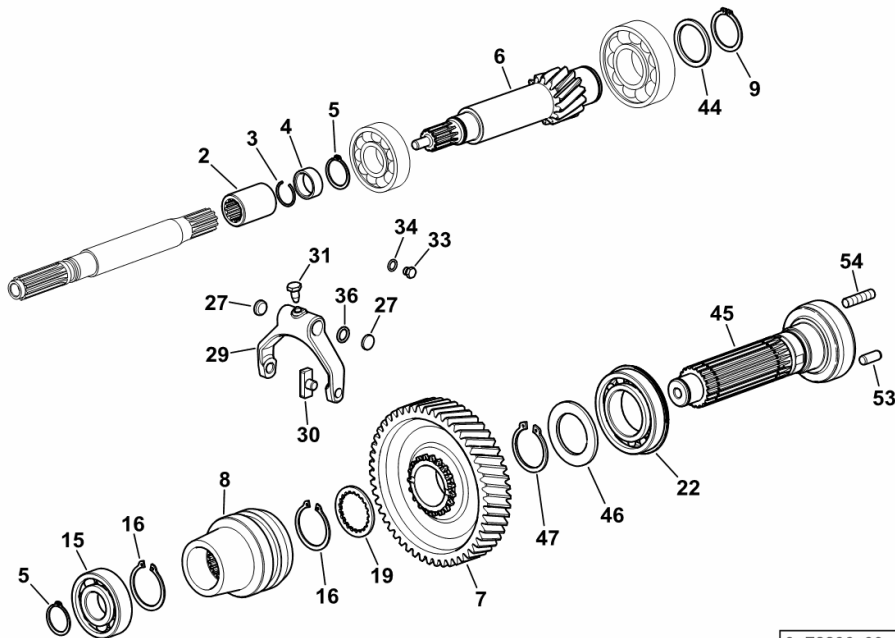
P.T.O. - 540/N - WITH INSERTED END SHAFTS

Fig.	Code	QTY	Name
------	------	-----	------

Notes:

- EXPORT U.S.A. [DORADO F 90 -> 3001]

2	0.010.7696.0	1	sleeve Z = 11
3	2.1421.010.7	1	circlip 25
4	2.1549.172.0	1	spacer 24.7 x 31 x 12
5	2.1410.012.1	2	circlip 30
6	0.015.1013.0	1	shaft
7	0.014.3839.0	1	gear Z = 51
8	0.015.1046.0	1	sleeve
9	2.1410.016.1	1	circlip 40
15	2.2060.009.0	1	ball bearing 30 x 72 x 19
16	2.1410.018.7	2	circlip 45
19	2.1599.828.0/10	1	thrust plate 41 x 55 x 3
22	2.2999.204.0	1	bearing 50 x 90 x 20
27	2.3171.006.4	5	plug Ø 16
29	0.010.0468.0	1	fork
30	0.255.6463.0	2	shoe
31	2.0399.019.1	1	screw m 8 p.1 x 16
33	2.3110.428.1	3	plug m 8 p.1 x 10
34	2.1560.003.0	3	gasket 8.2 x 12
36	2.1530.028.0	1	'o' ring 11.91 x 2.62
44	2.1599.414.0	1	snoulder 40 x 50 x 3.0
45	0.014.3735.0	1	shaft
46	2.1599.891.0	1	snoulder 45 x 70 x 4
47	2.1412.017.7	1	circlip 45
53	2.1651.811.0	2	cylindrical plug 10x24
54	2.0432.161.7	6	stud bolt m 10 p.1.5 / p.1.25 x 40



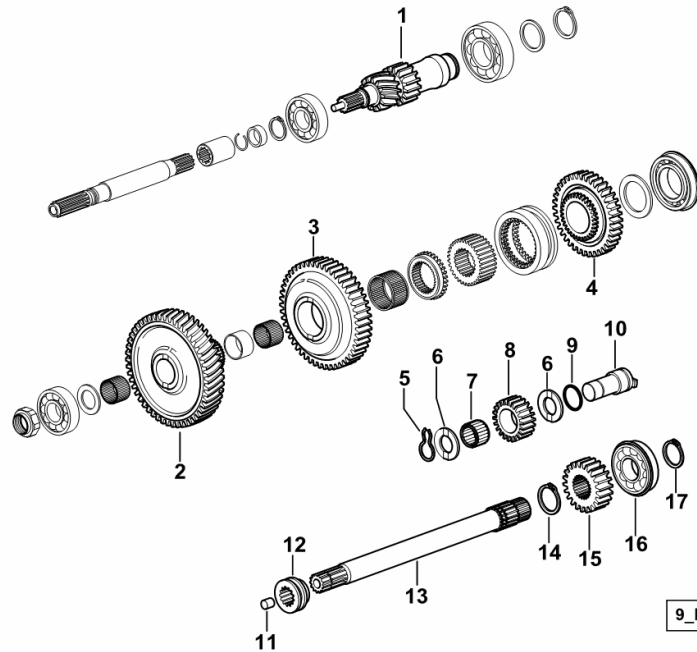
9_F8836_00_0-A-001

P.T.O. SHAFT 540 - 750 + SYNCRO

Fig.	Code	QTY	Name
------	------	-----	------

Notes:

FOR TYPES WITH INSERTED OUTPUT SHAFTS [DORADO F 90 -> 3001]



9_H6036_06_0-A-001

1	0.011.9944.0/10	1	shaft Z = 11 / Z = 14 / Z = 18
2	0.011.9934.0	1	gear Z = 51
3	0.011.9938.0	1	gear Z = 52
4	0.014.3816.0	1	gear Z = 36 / Z = 32
5	2.1499.175.0/10	1	ring 25.5 x 1.5
6	2.1599.793.0	2	shoulder 32 x 50 x 4
7	2.2999.282.0	1	roller cage 28 x 38 x 25.5
8	0.013.8497.0	1	gear Z = 22
9	2.1530.079.0	1	'o' ring 29.82 x 2.62
10	0.014.1953.0	1	p.t.o. shaft
11	2.1555.206.0	1	bushing 12 x 14 x 15
12	0.008.5192.0/10	1	sleeve Z = 13, sx/lh/li
13	0.010.7697.0/10	1	p.t.o. shaft
14	2.1410.015.1	1	circlip 38
15	0.013.8505.0	1	gear Z = 23 / 18
16	2.2999.235.0	1	bearing 35 x 80 x 21
17	2.1410.014.1	1	circlip 35

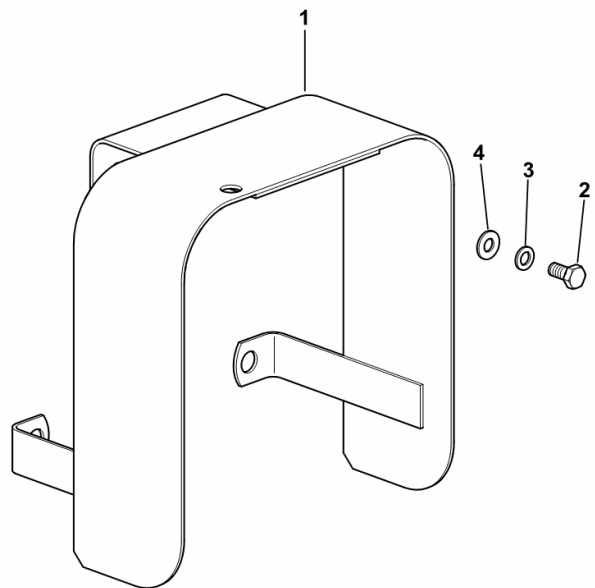
GUARD PLATE P.T.O.

Fig.	Code	QTY	Name
------	------	-----	------

Notes:

[DORADO F 90 -> 3001] 3051 <-

1	0.009.8902.2/10	1	sump
2	2.0112.307.2	2	screw m 10 p.1.5 x 20
3	2.1470.006.2	2	lock washer 10
4	2.1310.006.2	2	flat washer 10.5



9_58936_20_0-A-001

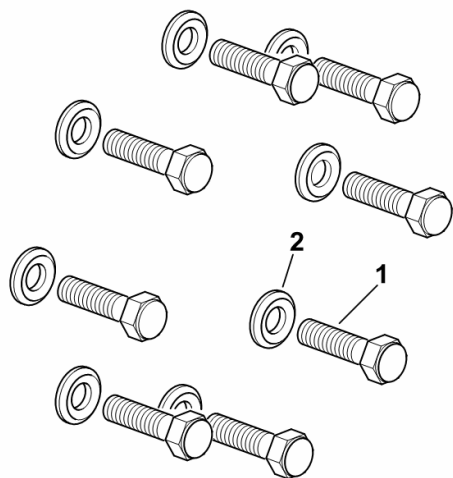
Section: S0 - WHEELS
REAR WHEEL BOLTS

Fig.	Code	QTY	Name
------	------	-----	------

Notes:

[DORADO F 90 -> 3001]

1	2.0399.140.6	16	screw m 18 p.1.5 x 60
2	2.1599.501.6/10	16	washer 19 x 40 x 7.5



9_52955_02_0-A-001

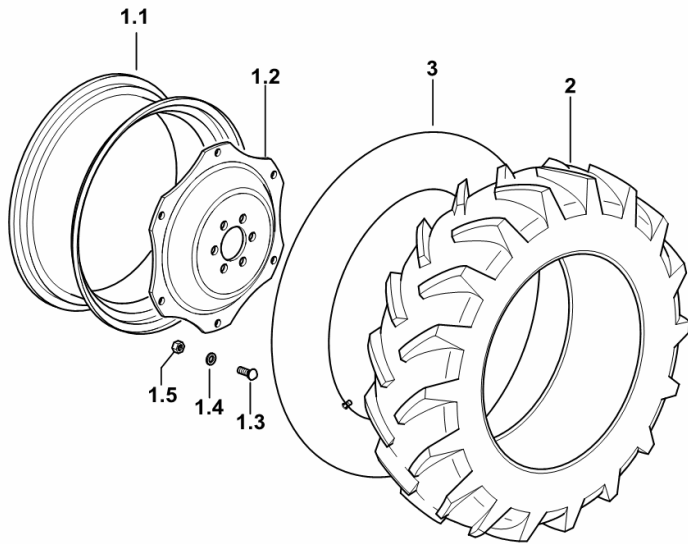
WHEELS 250/85R20"(9.5R20")

Fig.	Code	QTY	Name
------	------	-----	------

Notes:

[DORADO F 90 -> 3001]

1.1	0.012.2835.3	1	rim W 8x20" C/ST
1.2	0.010.4301.0	1	rim center flange
1.3	2.0099.005.6	6	screw m 16 p.1.5 x 38
1.4	2.1499.019.6	6	washer 16.3 x 31.5
1.5	2.1019.059.6	6	nut m 16 p.1.5 x 16
2	2.4811.068.0	2	tyre 250/85R20"(9.5R20")
3	2.4820.023.0	2	air chamber



9_56955_23_0-A-001

CLICK HERE TO **DOWNLOAD** THE COMPLETE MANUAL

- Thank you very much for reading the preview of the manual.
- You can download the complete manual from: www.heydownloads.com by clicking the link below



- Please note: If there is no response to CLICKING the link, please download this PDF first and then click on it.

CLICK HERE TO **DOWNLOAD** THE COMPLETE MANUAL