

# SOLARIS 45 ->ZKDS1202V0MS20001

## V0 - BALLAST, TOWING HITCHES

### FRONT HITCHES

FRONT TOWING HITCH.....	V0.01.0 (1)
TOWING HOOK WITH FRONT POWER-LIFT.....	V0.01.1 (1)

### REAR HITCHES

REAR GEARBOX BRACKETS.....	V0.02.0 (1)
REAR GEARBOX BRACKETS.....	V0.02.1 (1)
REAR TOWING HITCH CAT. " C ".....	V0.02.2 (1)
REAR OSCILLATING HITCH.....	V0.02.3 (1)
REAR TOWING HITCH.....	V0.02.4 (1)
REAR TOWING HITCH.....	V0.02.5 (1)
TOWING BAR.....	V0.02.6 (1)
REAR TOWING HITCH.....	0.016.5026.3.A

### FRONT BALLAST WEIGHTS

FRONT BALLAST Kg 60.....	V0.03.0 (1)
FRONT BALLAST kg 100.....	V0.03.1 (1)
FRONT BALLAST FASTENERS.....	V0.03.2 (1)

### WHEEL BALLAST

WHEEL BALLAST REAR.....	V0.05.0 (1)
-------------------------	-------------

CLICK HERE TO **DOWNLOAD** THE COMPLETE MANUAL

- Thank you very much for reading the preview of the manual.
- You can download the complete manual from: [www.heydownloads.com](http://www.heydownloads.com) by clicking the link below

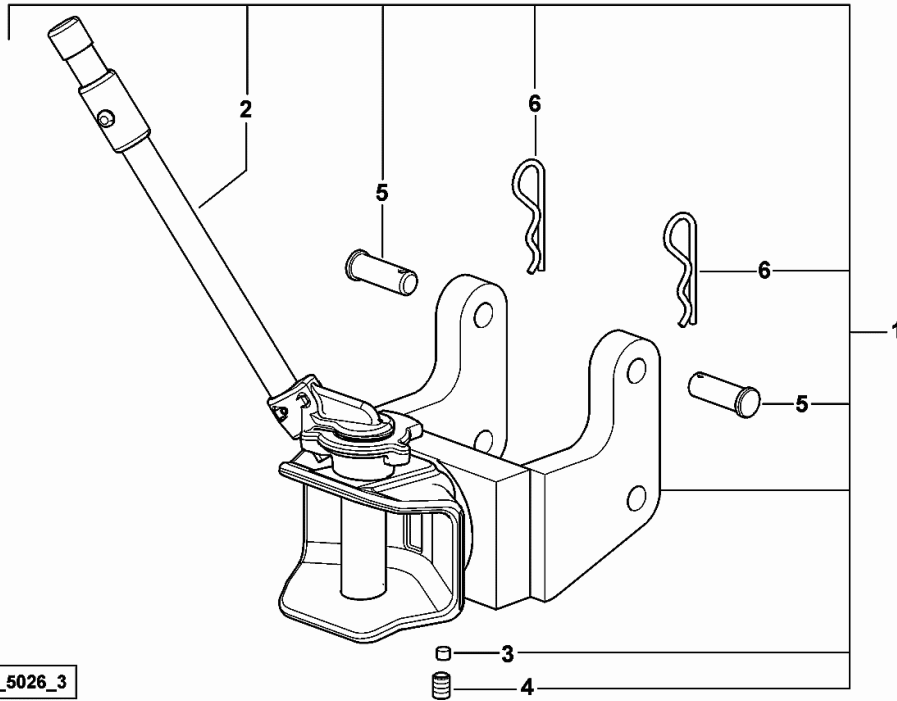


- Please note: If there is no response to CLICKING the link, please download this PDF first and then click on it.

CLICK HERE TO **DOWNLOAD** THE COMPLETE MANUAL

**REAR TOWING HITCH**

Fig.	Code	QTY	Name
1	0.016.5026.3	1	tow hook
2	0.900.1382.6	1	pin
3	0.900.1382.7	1	spacer
4	0.900.1177.0	1	screw m 12 x 16
5	0.900.1382.8	4	pin
6	0.900.1269.3	4	split pin



0\_016\_5026\_3

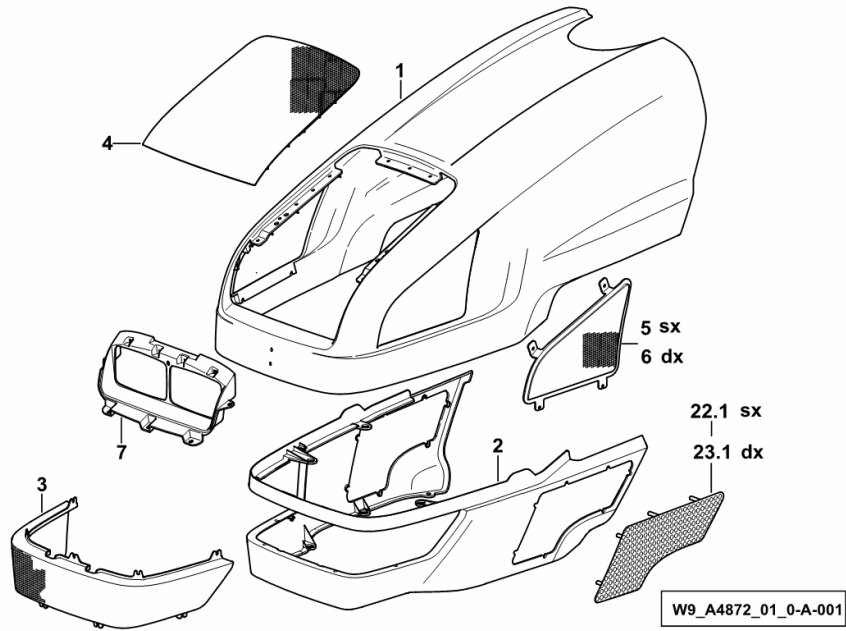
**HOOD**

Fig.	Code	QTY	Name
------	------	-----	------

**Notes:**

[SOLARIS 45 ->ZKDS1201V0MS20001] [SOLARIS 45 ->ZKDS1202V0MS20001]

1	0.013.1576.7/40	1	bonnet
2	0.013.1593.7/30	1	grille/grid
3	0.013.1584.0/10	1	grille
4	0.013.1578.0/10	1	cover
5	0.013.1582.0/10	1	grille sx/lh/li
6	0.013.1581.0/10	1	grille dx/rh/re
7	0.013.1583.0/10	1	frame
22.1	0.013.7415.0	1	grille sx/lh/li
23.1	0.013.7422.0	1	grille dx/rh/re



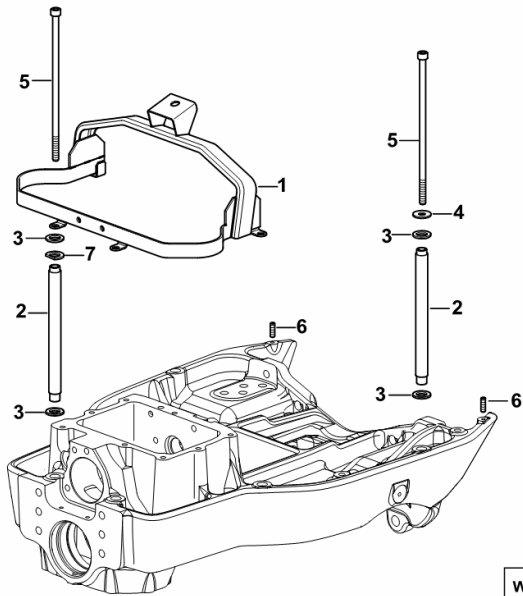
**HOOD - SUPPORTS**

Fig.	Code	QTY	Name
------	------	-----	------

**Notes:**

- FOR MODELS EQUIPPED WITH FRONT P.T.O. [SOLARIS 45 ->ZKDS1201V0MS20001] - FOR MODELS EQUIPPED WITH FRONT P.T.O. [SOLARIS 45 ->ZKDS1202V0MS20001]

1	0.013.8660.3/10	1	chassis frame
2	0.013.2043.0/20	6	tube
3	2.1311.009.2	10	flat washer 14
4	2.1312.004.2	2	washer 8.4
5	2.0399.291.2	6	screw
6	2.0512.108.7	2	screw m 6 p.1 x 20
7	2.1399.014.2	2	washer



W9\_A4972\_06\_0-A-001

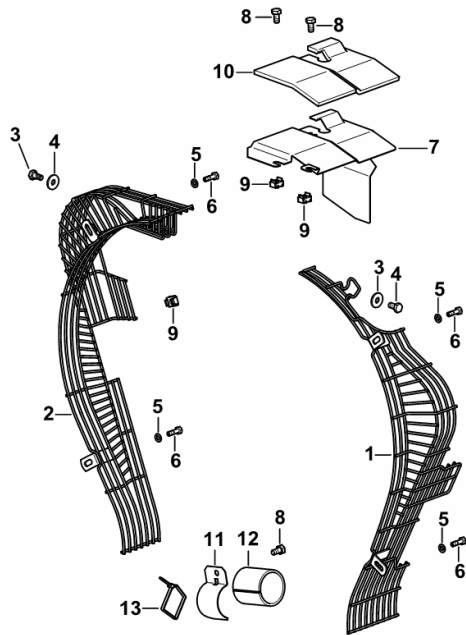
**BELT GUARDS**

Fig.	Code	QTY	Name
------	------	-----	------

**Notes:**

- FOR TRACTORS WITH AIR CONDITIONING [SOLARIS 45 ->ZKDS1201V0MS20001] - FOR TRACTORS WITH AIR CONDITIONING [SOLARIS 45 ->ZKDS1202V0MS20001]

1	0.013.2530.3/10	1	guard sx/lh/li
2	0.014.1364.3/10	1	guard dx/rh/re
3	2.1312.003.2	2	washer 6
4	2.0112.003.2	2	screw m 6 p.1 x 12
5	2.1310.001.2	4	flat washer 5.3
6	2.0114.109.2	4	screw
7	0.014.1327.2/10	1	guard
8	2.0112.003.2	3	screw m 6 p.1 x 12
9	2.6999.003.2	3	special nut m 6
10	0.014.3524.0	1	panel
11	0.015.0150.0	1	bracket
12	0.015.0151.0	1	guard
13	2.6852.101.0	1	clamp 142x3.6



W9\_H3773\_01\_0-A-001

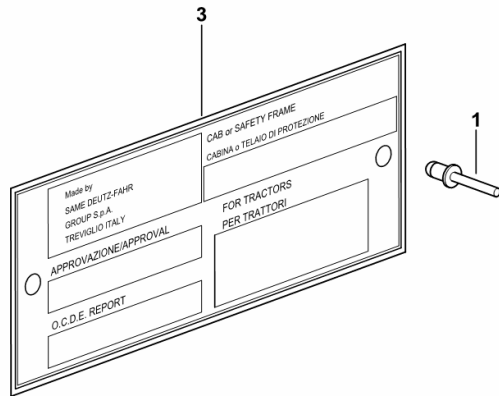
**IDENTIFICATION PLATE**

Fig.	Code	QTY	Name
------	------	-----	------

**Notes:**

[SOLARIS 45 ->ZKDS1201V0MS20001] [SOLARIS 45 ->ZKDS1202V0MS20001]

1	2.1855.010.0	4	rivet 3.4
3	2.9939.442.0	1	plate



W9\_75974\_20\_0-A-001

SOLARIS 45 ->ZKDS1202V0MS20001

Section: G0 - BODYWORK - CAB

Ref.: G0.02.34 (1)

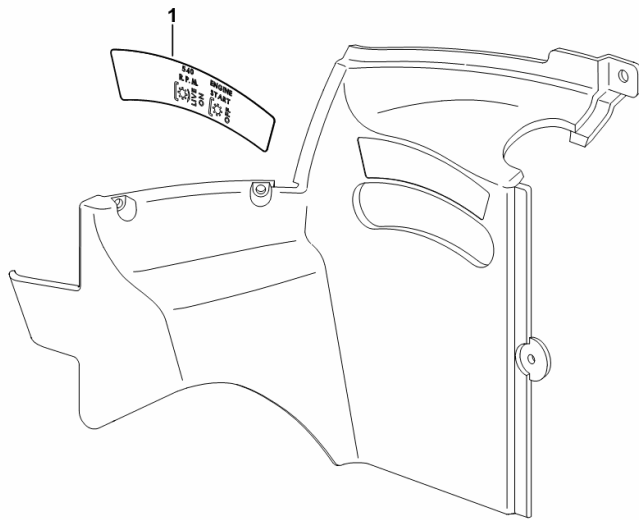
**PTO DATA PLATE 540**

Fig.	Code	QTY	Name
------	------	-----	------

**Notes:**

- FOR TYPES WITH MID PTO [SOLARIS 45 ->ZKDS1201V0MS20001] - FOR TYPES WITH MID PTO [SOLARIS 45 ->ZKDS1202V0MS20001]

1	0.015.3642.0	1	adhesive P.T.O.
---	--------------	---	-----------------



W9\_A5374\_02\_0-A-001



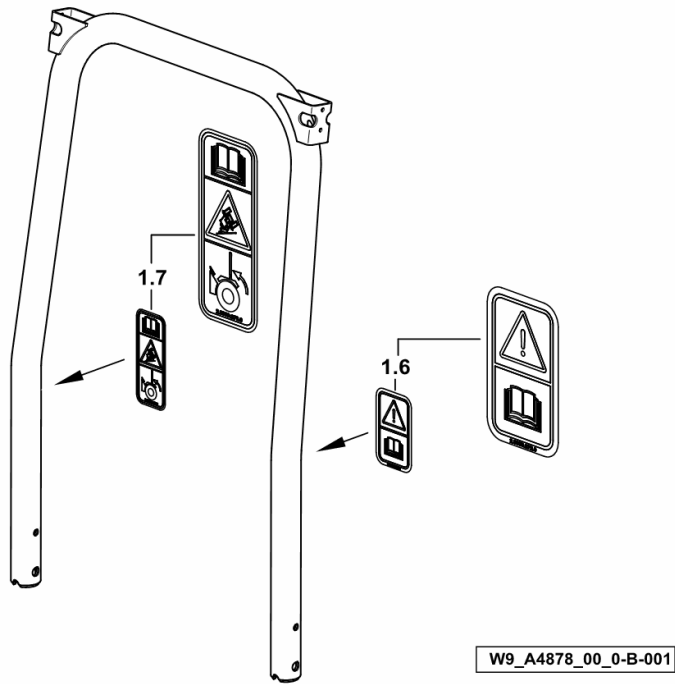
**WARNING PLATES**

Fig.	Code	QTY	Name
------	------	-----	------

**Notes:**

- FRONT [SOLARIS 45 ->ZKDS1201V0MS20001] - FRONT [SOLARIS 45 ->ZKDS1202V0MS20001]

1.6	2.9939.272.0	1	plate
1.7	2.9939.276.0	1	plate



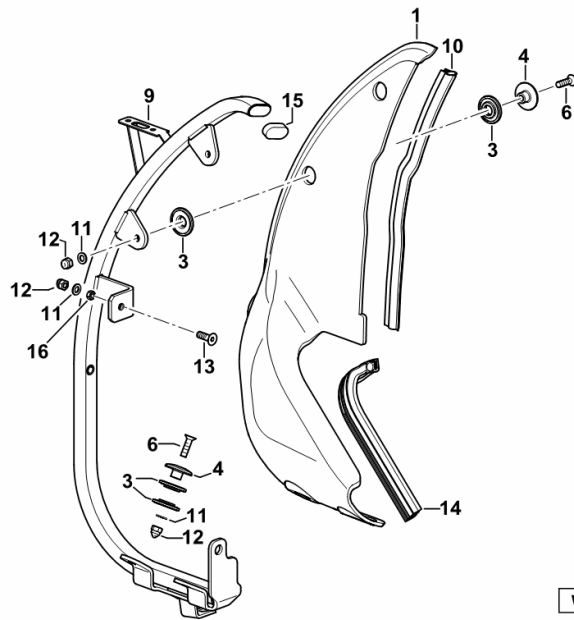
**FOOTPLATE COVER dx/rh/re**

Fig.	Code	QTY	Name
------	------	-----	------

**Notes:**

[SOLARIS 45 ->ZKDS1201V0MS20001] [SOLARIS 45 ->ZKDS1202V0MS20001]

1	0.013.3546.0/30	1	guard dx/rh/re
3	0.009.0422.0	10	gasket
4	2.1499.093.0/10	5	washer 8.5
6	2.0342.309.6	5	screw m 8 p.1.25 x 35
9	0.013.3364.3/60	1	chassis frame dx/rh/re
10	0.012.5052.0	1	gasket L = mm 400
11	2.1310.004.2	5	flat washer 8.5
12	2.1030.002.2	5	nut m 8
13	2.0342.307.3	1	screw m 8 p.1.25 x 25
14	0.013.8973.0	1	gasket mm 270
15	0.013.9021.0	1	gasket
16	2.1011.105.2	1	nut m 8 p.1.25



W9\_A4876\_01\_0-A-001

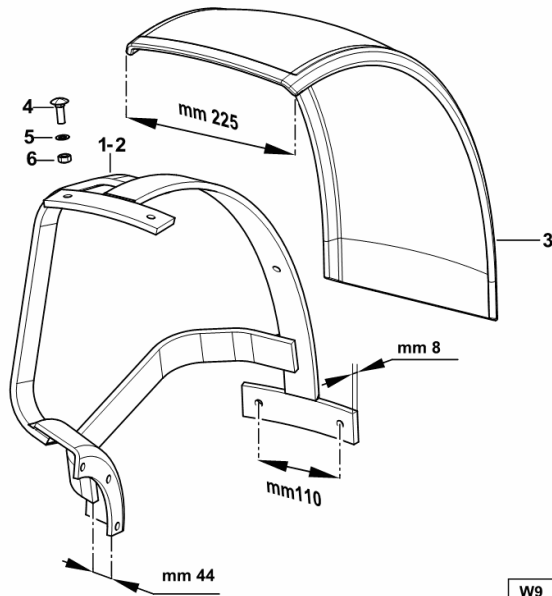
**FRONT MUDGUARDS**

Fig.	Code	QTY	Name
------	------	-----	------

**Notes:**

mm 225 [SOLARIS 45 ->ZKDS1201V0MS20001]    mm 225 [SOLARIS 45 ->ZKDS1202V0MS20001]

1	0.009.6382.3/20	1	support dx/rh/re
2	0.009.6383.3/20	1	support sx/lh/li
3	0.009.6378.0	2	fender mm 225
4	2.0020.206.2	12	screw m 8 p.1.25 x 25
5	2.1470.004.2	12	washer 8
6	2.1011.105.2	12	nut m 8 p.1.25



W9\_53276\_17\_0-A-001

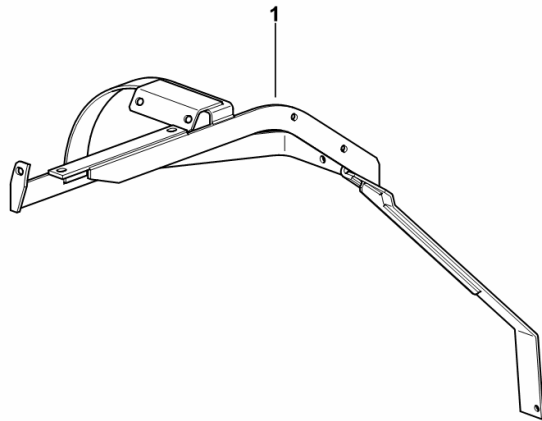
**EXTENSION FOR WING**

Fig.	Code	QTY	Name
------	------	-----	------

**Notes:**

- EXPORT CH [SOLARIS 45 ->ZKDS1201V0MS20001] - EXPORT CH [SOLARIS 45 ->ZKDS1202V0MS20001]

1	0.012.5003.2	1	support sx/lh/li
---	--------------	---	------------------



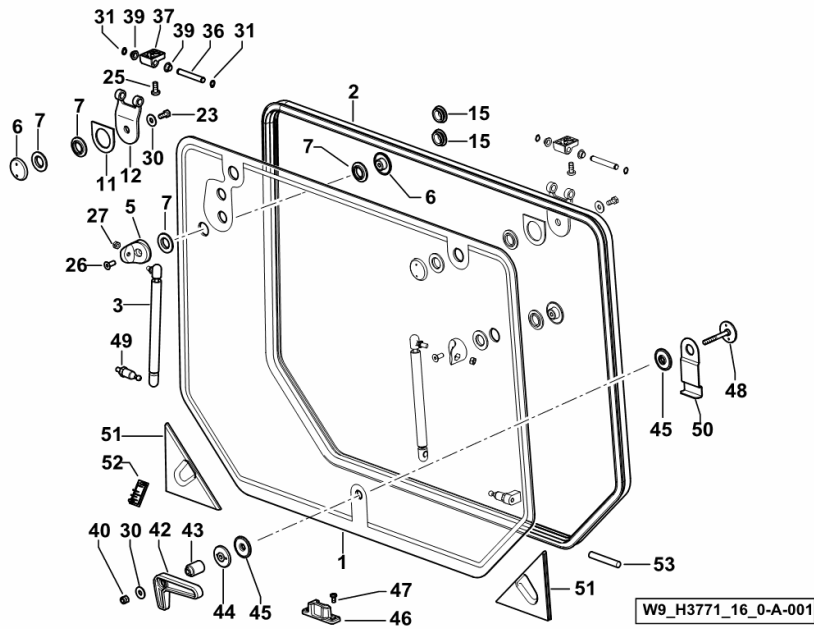
W9\_A5276\_71\_0-A-001

**REAR WINDOW**

Fig.	Code	QTY	Name
------	------	-----	------

**Notes:**

- FOR TYPES WITHOUT WINDSCREEN WIPERS [SOLARIS 45 ->ZKDS1201V0MS20001] - FOR TYPES WITHOUT WINDSCREEN WIPERS [SOLARIS 45 ->ZKDS1202V0MS20001]



1	0.014.2295.0/10	1	glass
2	0.014.3817.0	3.22	gasket M 3.220
3	0.015.3670.2	2	shoch.absorber
5	0.012.6175.0	2	support
6	0.012.6176.2/10	4	washer
7	0.012.6178.0	8	gasket
11	0.014.2602.0	2	gasket
12	0.014.2932.2	2	hinge
15	2.3199.326.0	2	plug
23	2.0112.206.2	2	screw m 8 p.1.25 x 18
25	2.0332.507.2	2	screw m 8 p.1.25 x 20
26	2.0342.305.3	2	screw m 8 p 1.25 x 20
27	2.1011.105.2	2	nut m 8 p.1.25
30	2.1312.004.2	3	washer 8.4
31	2.1410.001.1	4	circlip 10
36	2.1699.428.2	2	pin 9.6 x 71.5
37	0.014.4250.0/10	2	hinge
39	2.2841.034.0	4	bushing 10x12x7
40	2.1120.005.2	1	nut m 8 p.1.25
42	0.008.0772.0	1	handle
43	0.014.7267.0	1	spacer
44	0.014.4966.0	1	washer
45	0.014.4959.0	2	rubber bushing
46	0.014.8307.0/10	1	stop
47	2.0332.405.2	2	screw m 6 x 14
48	0.014.5043.2/10	1	screw
49	04418838	2	ball joint
50	0.014.5953.0/20	1	bracket
51	0.014.3924.0/10	2	plug
52	0.009.0500.0	1	plug 50x26
53	04418372	1	sealing section

SOLARIS 45 ->ZKDS1202V0MS20001

Section: G0 - BODYWORK - CAB

Ref.: G0.06.5 (1)

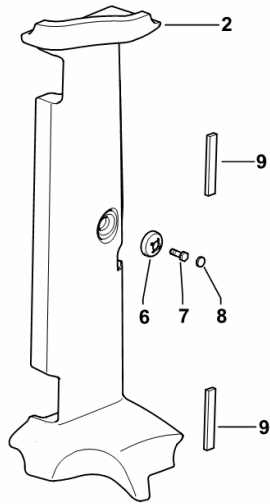
**UPRIGHT COVER dx/rh/re**

Fig.	Code	QTY	Name
------	------	-----	------

**Notes:**

[SOLARIS 45 ->ZKDS1201V0MS20001] [SOLARIS 45 ->ZKDS1202V0MS20001]

2	0.014.7960.0/10	1	cover dx/rh/re
6	0.014.8012.0	2	washer
7	2.0114.209.2	2	screw m 8 x 25
8	0.014.8013.0	2	plug
9	0.014.7938.0	4	gasket



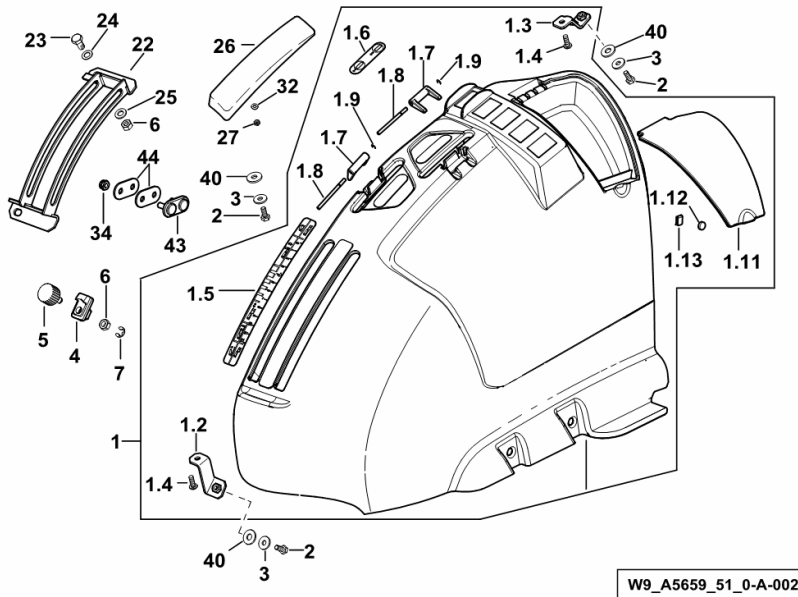
W9\_H3771\_22\_0-B-001

**CONTROL CONSOLE RIGHT**

Fig.	Code	QTY	Name
------	------	-----	------

**Notes:**

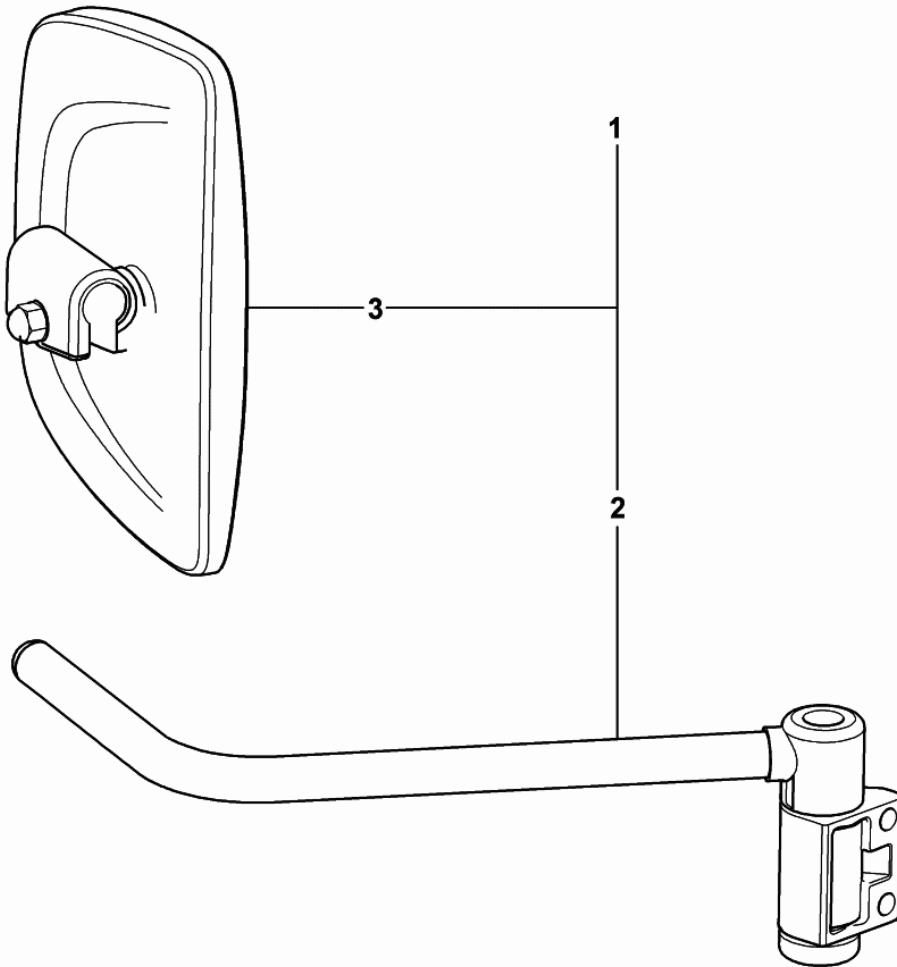
- FOR MODELS WITH CAB [SOLARIS 45 ->ZKDS1201V0MS20001] - FOR MODELS WITH CAB [SOLARIS 45 ->ZKDS1202V0MS20001]



1	0.014.1592.3/10	1	console
1.2	0.013.2882.3	1	square
1.3	0.013.2883.3	1	square
1.4	2.0332.406.2	2	screw m 6 p.1.0 x 16
1.5	0.013.2955.0	1	plate
1.6	0.013.3506.0	1	plate
1.7	0.013.5476.0	2	fork
1.8	0.013.5437.0	2	pin
1.9	2.1430.004.7	2	circlip 3.2
1.11	0.014.3881.0	1	guard
1.12	0.014.3882.0	1	magneto
1.13	0.014.3883.0	1	small spring
2	2.0112.004.2	3	screw m 6 p.1 x 14
3	2.1312.003.2	3	washer 6
4	0.009.0136.0	2	slider
5	0.009.0133.3/10	2	knob
6	2.1011.105.2	4	nut m 8 p.1.25
7	2.1430.008.7	8	circlip 7
22	0.013.3290.2/10	1	sector
23	2.0112.205.2	2	screw m 8 p.1.25 x 16
24	2.1310.004.2	4	flat washer 8.5
25	2.1470.004.2	2	washer 8
26	0.013.2956.2	1	guide
27	2.1011.101.2	2	nut m 4 p.0.7
32	2.1310.028.2	2	flat washer 4
34	2.1121.005.2	2	nut m 8 p.1.25
40	2.1599.847.0	3	washer 8.5x20x1
43	0.012.4979.3	2	bracket
44	0.012.5000.0	4	friction ring

**REARVIEW MIRROR**

Fig.	Code	QTY	Name
1	0.014.4216.2	1	rear view mirror dx/rh/re
2	0.900.0520.0	1	rod
3	0.900.0519.8	1	rear view mirror



0\_014\_4216\_2

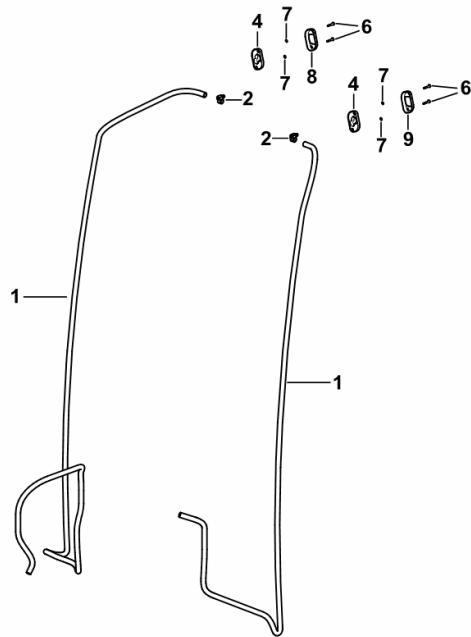
**HEATING - PIPES**

Fig.	Code	QTY	Name
------	------	-----	------

**Notes:**

[SOLARIS 45 ->ZKDS1201V0MS20001] [SOLARIS 45 ->ZKDS1202V0MS20001]

1	0.011.0466.0	5.8	tube Ø mm 16x10
2	2.6851.019.0	2	clamp Ø 13/20
4	0.014.7289.0	2	lamination
6	2.0112.009.2	4	screw m 6 p.1 x 25
7	2.1470.002.2	4	washer 6, d128
8	0.014.8577.0	1	wire guide
9	0.014.8578.0	1	wire guide



W9\_H3786\_11\_0-A-001

**HEATER PARTS**

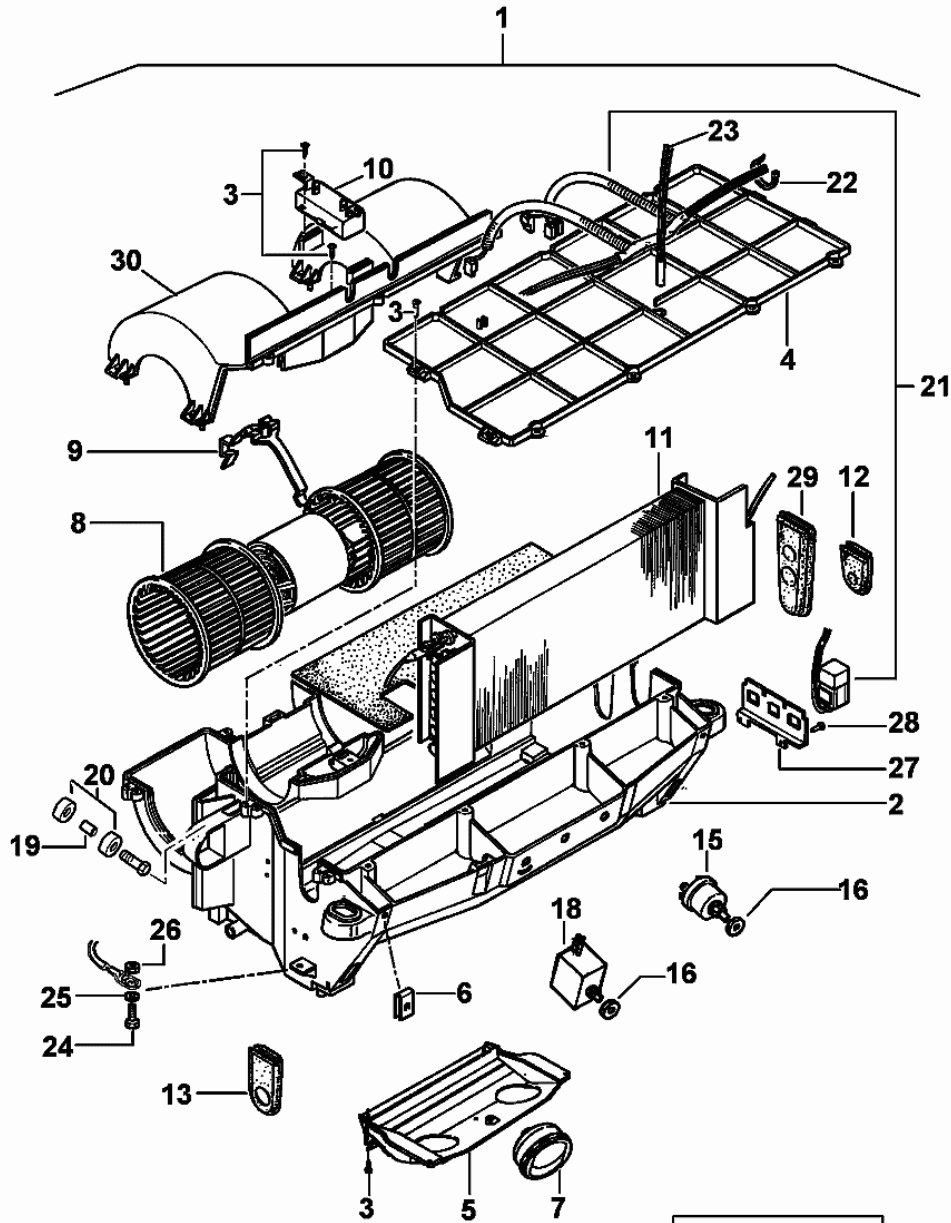


Fig.	Code	QTY	Name
1	0.014.8846.4/10	1	cab heating
3	0.900.0944.6	20	screw 4 x 12
7	0.010.2148.1	1	regulator
9	0.900.0512.8	2	nut m 11
10	0.010.2148.0	1	bushing
12	0.009.4743.1	1	switch
13	0.900.0060.0	6	clamp 25x16
14	0.900.0060.1	1	screw m 6x14
15	0.010.2152.2	1	gasket
16	0.010.2120.2	2	small spring
17	0.010.2150.0	1	rod
18	0.010.2149.2	1	brace
19	0.010.2148.2	1	washer 6x12
20	0.900.0513.1	1	nut m 6
21	0.010.2149.1	1	small block
22	0.900.0946.2	1	washer 4x7
24	0.010.2151.1	1	cock or tap
25	0.010.2151.0	1	bracket
26	0.010.2153.1	1	box
28	0.010.2147.2	1	electrical system
29	0.010.2147.1	1	pipe fitting
30	0.900.0060.7	1	sleeve
31	0.98538.71.1	4	spacer
32	0.98707.79.1	8	rubber plug
33	0.010.2153.0	1	radiator
35	0.010.2152.1	1	gasket
36	0.010.2126.1	1	gasket
37	0.010.2121.1	1	fan
38	0.010.2121.2	1	spring
50	0.010.2119.0	1	box
51	0.010.2120.0	1	knob
53	0.010.2122.0	1	resistance
55	0.900.0060.6	2	clamp 2.6X103
56	0.010.2152.0	1	tube

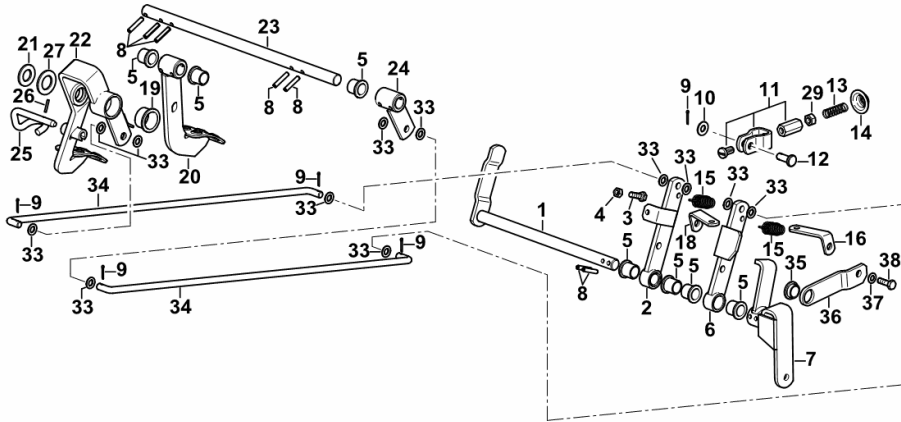
0\_014\_8846\_4\_10

**BRAKE CONTROLS**

Fig.	Code	QTY	Name
------	------	-----	------

**Notes:**

[SOLARIS 45 ->ZKDS1201V0MS20001] [SOLARIS 45 ->ZKDS1202V0MS20001]



W9\_A4866\_01\_0-A-001

1	0.008.6432.3	1	lever
2	0.008.6442.3	1	lever
3	2.0112.209.2	1	screw m 8 p 1.25 x 25
4	2.1011.105.2	1	nut m 8 p.1.25
5	2.1559.278.0/10	7	bushing 18x22x21
6	0.008.6434.3/10	1	lever
7	0.012.4943.3	1	lever
8	2.1630.613.0	7	roll pin 6 x 30
9	2.1690.308.2	6	split pin 3.2 x 20
10	2.1310.006.2	6	flat washer 10.5
11	0.008.6435.3	2	rod
12	2.1671.407.2	2	pin 10 x 28
13	2.4019.469.2	2	spring
14	0.008.6405.0/10	2	cup
15	2.4049.155.2	2	spring 19.4x59x2.2
16	0.008.6409.0/10	1	square sx/lh/li
18	0.008.6455.0/10	1	square dx/rh/re
19	2.1559.279.0	1	bushing
20	0.013.4508.3	1	pedal sx/lh/li
21	2.1310.011.2	1	flat washer 19x34
22	0.013.2964.3/10	1	pedal dx/rh/re
23	0.013.2973.0/10	1	pin
24	0.013.2975.2/20	1	lever
25	0.013.4509.0	1	latch
26	2.1630.210.9	1	pin 3 x 20
27	2.1310.014.2	1	flat washer 23x39
29	2.1011.106.2	2	nut m 10 p.1.5
33	2.1311.007.2	12	flat washer 10
34	0.013.2915.0/20	2	rod
35	2.1559.447.0	1	sleeve
36	0.012.4942.0	1	support
37	2.1475.002.2	1	conical washer 8
38	2.0112.209.2	1	screw m 8 p 1.25 x 25

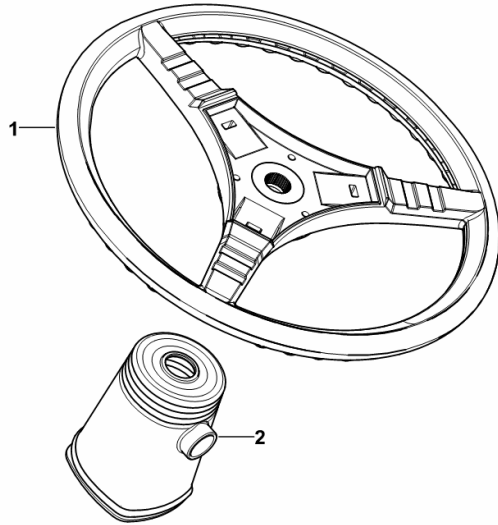
**STEERING WHEEL**

Fig.	Code	QTY	Name
------	------	-----	------

**Notes:**

- FOR MODELS WITH CAB [SOLARIS 45 ->ZKDS1201V0MS20001] - FOR MODELS WITH CAB [SOLARIS 45 ->ZKDS1202V0MS20001]

1	0.007.2874.2/30	1	steering wheel
2	0.014.8327.0	1	boot



W9\_H3761\_02\_0-A-001

**SOLARIS 45 ->ZKDS1202V0MS20001**

Section: G0 - BODYWORK - CAB

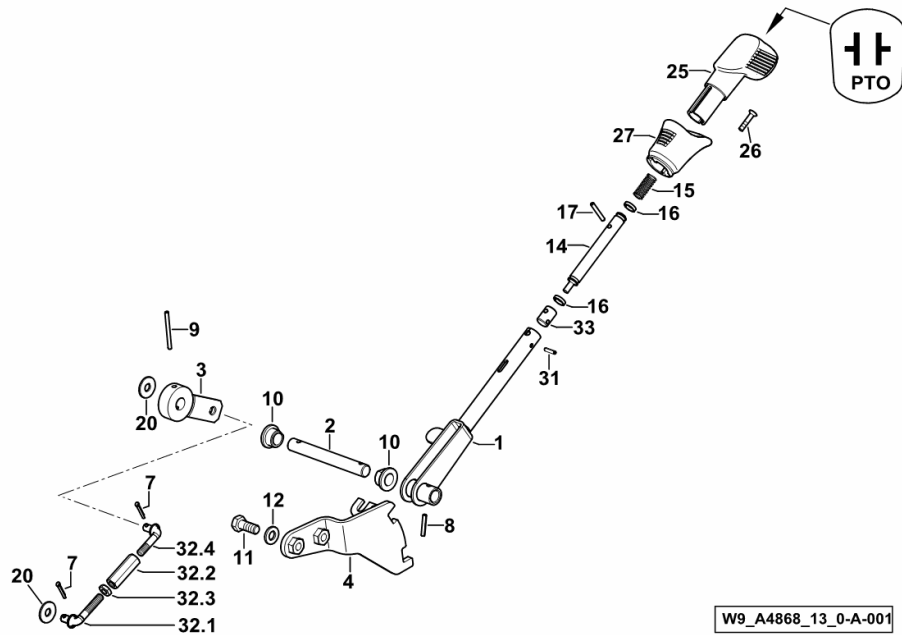
Ref.: G0.16.0 (1)

**INDEPENDENT CLUTCH CONTROL FOR P.T.O.**

Fig.	Code	QTY	Name
------	------	-----	------

**Notes:**

[SOLARIS 45 ->ZKDS1201V0MS20001] [SOLARIS 45 ->ZKDS1202V0MS20001]



1	0.013.3355.3/60	1	lever
2	0.013.3346.0	1	small shaft
3	0.013.3336.3/10	1	lever
4	0.013.3335.3/30	1	ratchet
7	2.1690.306.2	2	split pin 3.2 x 16
8	2.1631.411.0	1	pin 5x24
9	2.1631.418.0	1	pin 5 x 45
10	2.1559.277.0	2	bushing 14.1x20x10
11	2.0112.309.2	2	screw m 10 p.1.5 x 25
12	2.1475.203.2	2	spring washer 10
14	0.013.7543.0	1	ferrule
15	2.4019.631.2	1	spring
16	2.1539.232.0	2	ring
17	2.1630.452.2	1	pin 4 x 30
20	2.1312.004.2	2	washer 8.4
25	0.013.3148.3/60	1	knob
26	2.0342.107.3	1	screw m 5 p.0.8 x 25
27	0.013.2968.0/20	1	knob
31	2.1631.307.0	1	roll pin 4x16
32.1	0.013.3402.3/10	1	rod
32.2	2.1099.139.2/10	1	nut m 8
32.3	2.1011.205.2	1	nut m 8 p.1.25
32.4	0.013.2995.3/10	1	rod
33	0.014.9316.0	1	sleeve

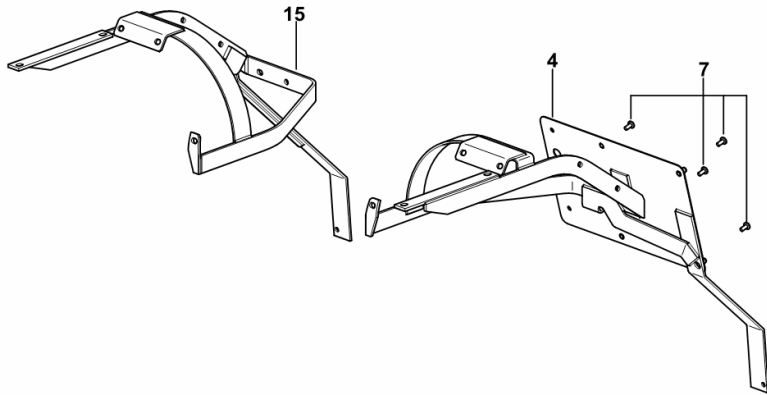
**LICENCE PLATE HOLDER**

Fig.	Code	QTY	Name
------	------	-----	------

**Notes:**

[SOLARIS 45 ->ZKDS1201V0MS20001] [SOLARIS 45 ->ZKDS1202V0MS20001]

4	0.012.4929.3/10	1	plate holder
7	2.0332.303.6	4	screw m 5x10
15	0.012.4928.2/20	1	support dx/rh/re



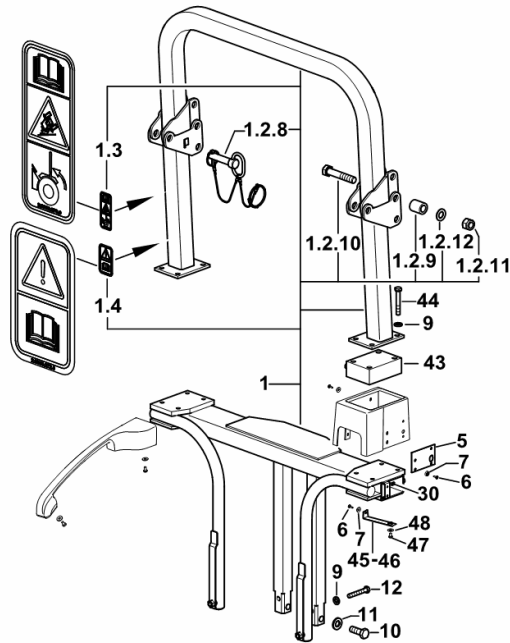
W9\_55876\_65\_0-A-001

**SAFETY ARCH**

Fig.	Code	QTY	Name
------	------	-----	------

**Notes:**

- WITH FOLD-DOWN ROPS [SOLARIS 45 ->ZKDS1201V0MS20001] - WITH FOLD-DOWN ROPS [SOLARIS 45 ->ZKDS1202V0MS20001]



W9\_A5278\_10\_0-A-001

1	0.013.4149.4/20	1	safety frame
1.2.8	0.010.4049.4	2	pin
1.2.9	2.1549.332.2/10	2	spacer 20.8x35x42.5
1.2.10	2.0119.216.2	2	screw m 20 p.2.5 x 110
1.2.11	2.1120.011.2	2	nut m 20 p.2.5
1.2.12	2.1310.013.2	2	flat washer 21x37
1.3	2.9939.276.0	1	plate
1.4	2.9939.272.0	1	plate
5	0.010.9879.0/10	2	square
6	2.0350.505.3	6	screw 4.8x16
7	0.9200.358.0	14	washer 5.4x10x15.8
9	2.1475.204.6	10	washer 12
10	2.0122.719.6	2	screw m 18 p.1.5x50
11	2.1475.107.6	2	washer 18
12	2.0112.424.2	2	screw m 12 p.1.75x75
30	2.6999.063.0	4	small spring
43	0.013.6487.0/10	2	spacer
44	2.0112.425.2	8	screw m 12 p.1.75 x 80
45	0.013.6500.3	1	square dx/rh/re
46	0.013.6501.3	1	square sx/lh/li
47	2.0332.403.2	2	screw m 6 p.1 x 10
48	2.1312.003.3	8	washer 6.6 x 18

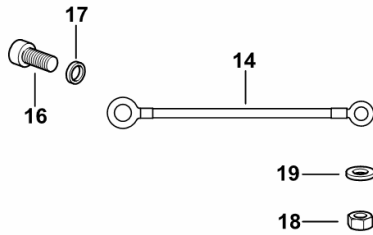
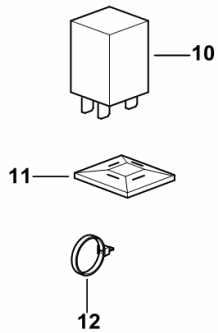
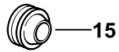
**CAB ELECTRICAL SYSTEM**

Fig.	Code	QTY	Name
------	------	-----	------

**Notes:**

[SOLARIS 45 ->ZKDS1201V0MS20001] [SOLARIS 45 ->ZKDS1202V0MS20001] -> 20087

10	2.8639.008.0	1	intermitent switch HG4121, 12V
11	0.012.6105.0	15	stop
12	2.6852.203.0	30	clamp 292 x 4.8
13	2.6569.068.0	2	rubber plug
14	0.015.0031.4	1	wire
15	2.6569.034.0	4	grommet 24x13x13.5
16	2.0312.302.2	1	screw m 10 x 12
17	2.1475.203.2	1	spring washer 10
18	2.1011.105.2	3	nut m 8 p.1.25
19	2.1475.202.2	3	spring washer 8.4 x 16



W9\_H3771\_36\_0-B-002

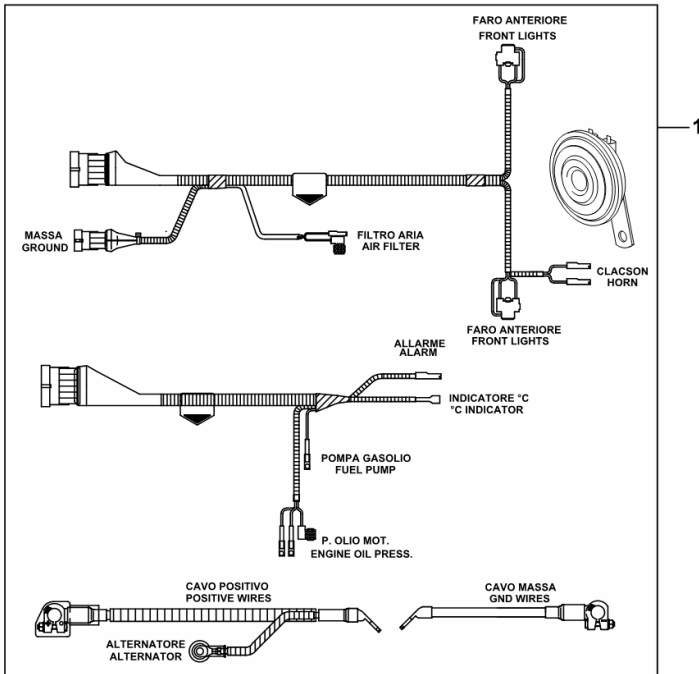
**ELECTRICAL EQUIPMENT FRONT - BATTERY LEADS**

Fig.	Code	QTY	Name
------	------	-----	------

**Notes:**

- FOR MODELS WITHOUT CAB [SOLARIS 45 ->ZKDS1201V0MS20001] - FOR MODELS WITHOUT CAB [SOLARIS 45 ->ZKDS1202V0MS20001]

1	0.012.6951.4/60	1	electrical system ☞ 0.012.6951.4/60
2	2.6519.033.0	1	cap



W9\_A4884\_05\_0-A-001

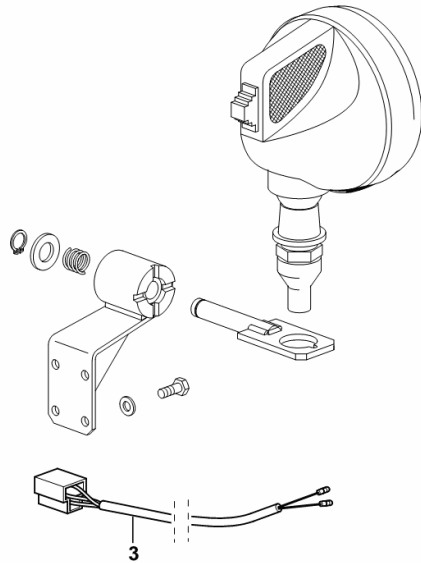
**ELECTRIC CABLE FOR WORK LIGHT**

Fig.	Code	QTY	Name
------	------	-----	------

**Notes:**

[SOLARIS 45 ->ZKDS1201V0MS20001] [SOLARIS 45 ->ZKDS1202V0MS20001]

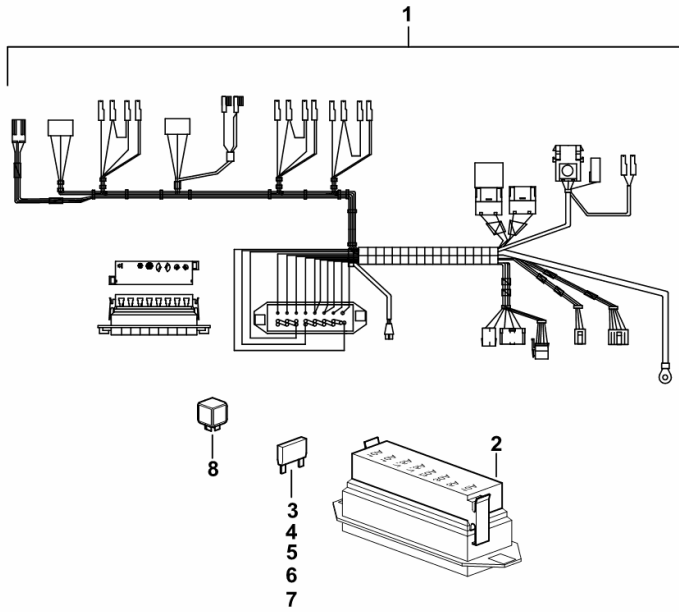
3	0.008.0361.3	1	wire
---	--------------	---	------



W9\_A4885\_30\_0-B-001

**CAB ELECTRICAL SYSTEM**

Fig.	Code	QTY	Name
1	0.014.7593.4/10	1	electrical system
2	0.900.0530.0	1	cover
3	0.900.0000.7	1	fuse 5 A unival
4	0.010.3999.1	2	fuse 7.5 A unival
5	0.010.3998.0	3	fuse 10 A unival
6	0.900.0000.1	1	fuse 20 A unival
7	0.010.2088.2	1	fuse 30 A unival
8	2.7659.120.0	1	relay 12V-70A



0\_014\_7593\_4\_10

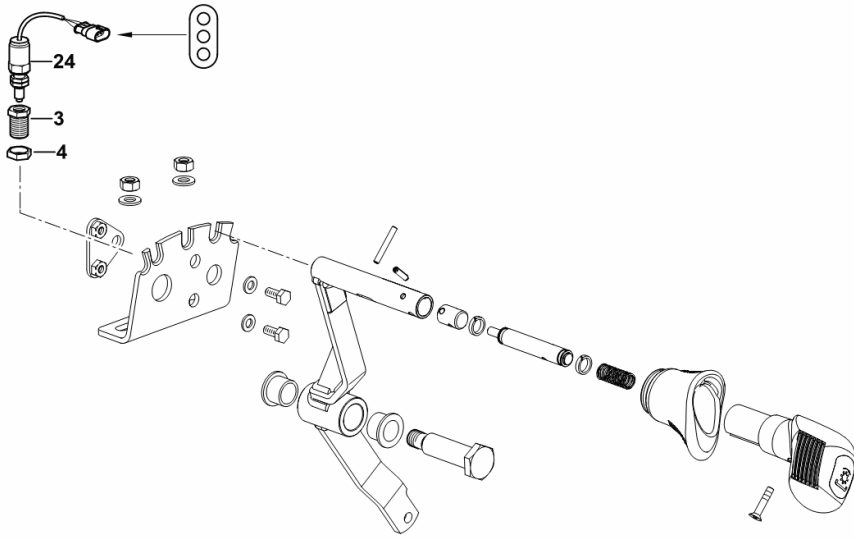
**PTO SELECTOR SWITCH**

Fig.	Code	QTY	Name
------	------	-----	------

**Notes:**

[SOLARIS 45 ->ZKDS1201V0MS20001] [SOLARIS 45 ->ZKDS1202V0MS20001]

3	0.012.5596.0/20	1	bushing
4	2.1011.509.2	1	nut m 16 p.1.5
24	2.7659.263.0	1	switch



W9\_A4884\_00\_0-F-001

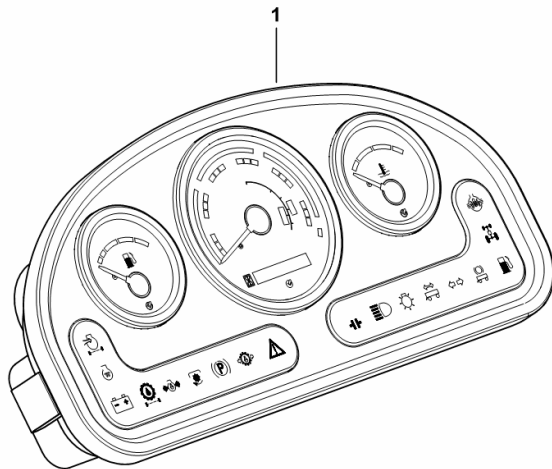
**CHRONO-TACHOMETER**

Fig.	Code	QTY	Name
------	------	-----	------

**Notes:**

[SOLARIS 45 ->ZKDS1201V0MS20001] [SOLARIS 45 ->ZKDS1202V0MS20001]

1	2.8339.230.0/70	1	instrument holder ☞ 2.8339.230.0/70
---	-----------------	---	--



W9\_A4884\_01\_0-A-001

CLICK HERE TO **DOWNLOAD** THE COMPLETE MANUAL

- Thank you very much for reading the preview of the manual.
- You can download the complete manual from: [www.heydownloads.com](http://www.heydownloads.com) by clicking the link below



- Please note: If there is no response to CLICKING the link, please download this PDF first and then click on it.

CLICK HERE TO **DOWNLOAD** THE COMPLETE MANUAL

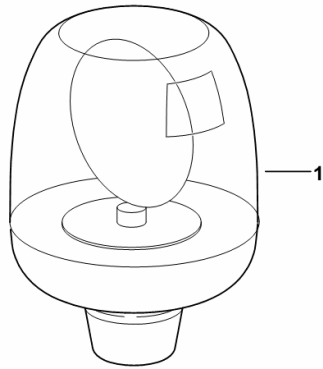
**WARNING BEACON**

Fig.	Code	QTY	Name
------	------	-----	------

**Notes:**

[SOLARIS 45 ->ZKDS1201V0MS20001] [SOLARIS 45 ->ZKDS1202V0MS20001]

1	0.013.0868.4	1	blinker ☞ 0.013.0868.4
---	--------------	---	---------------------------



W9\_B8985\_24\_0-A-001

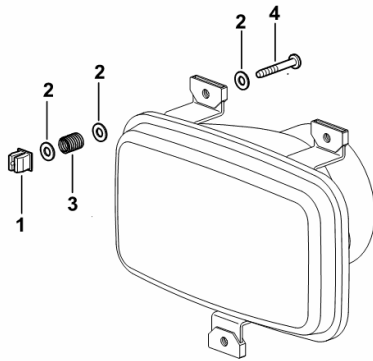
**LIGHT FIXINGS**

Fig.	Code	QTY	Name
------	------	-----	------

**Notes:**

[SOLARIS 45 ->ZKDS1201V0MS20001] [SOLARIS 45 ->ZKDS1202V0MS20001]

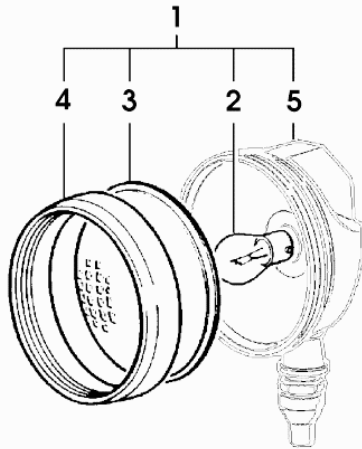
1	2.6999.038.0	6	special nut 4.2
2	2.1310.028.2	18	flat washer 4
3	2.4019.619.0	6	spring
4	2.0350.108.6	6	screw



W9\_A4885\_21\_0-A-001

**HEADLAMP COMPONENTS**

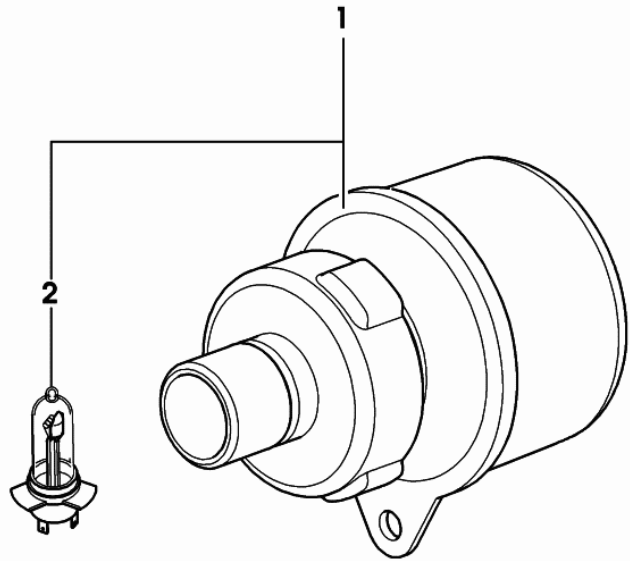
Fig.	Code	QTY	Name
1	2.8029.300.0	1	headlight
2	2.8210.004.0	1	lamp 12V-35W
3	2.8029.120.1	1	light body
4	2.8029.120.2	1	gasket
5	0.000.0000.1	0	not serviceable



2\_8029\_300\_0

**REAR LIGHT**

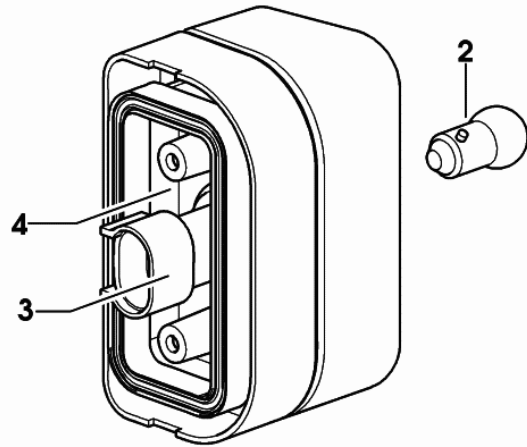
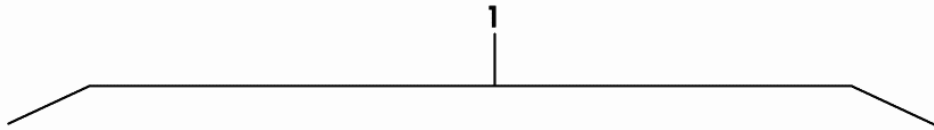
Fig.	Code	QTY	Name
1	2.8059.012.0	1	lamp stop
2	0.900.0063.3	1	lamp 12V 21W



2\_8059\_012\_0

**LICENCE PLATE LIGHT**

Fig.	Code	QTY	Name
1	2.8059.526.0	1	side lamp
2	0.900.0271.6	1	lamp W5W 12V 5W
3	0.900.0271.7	1	socket
4	0.900.0271.8	1	light body

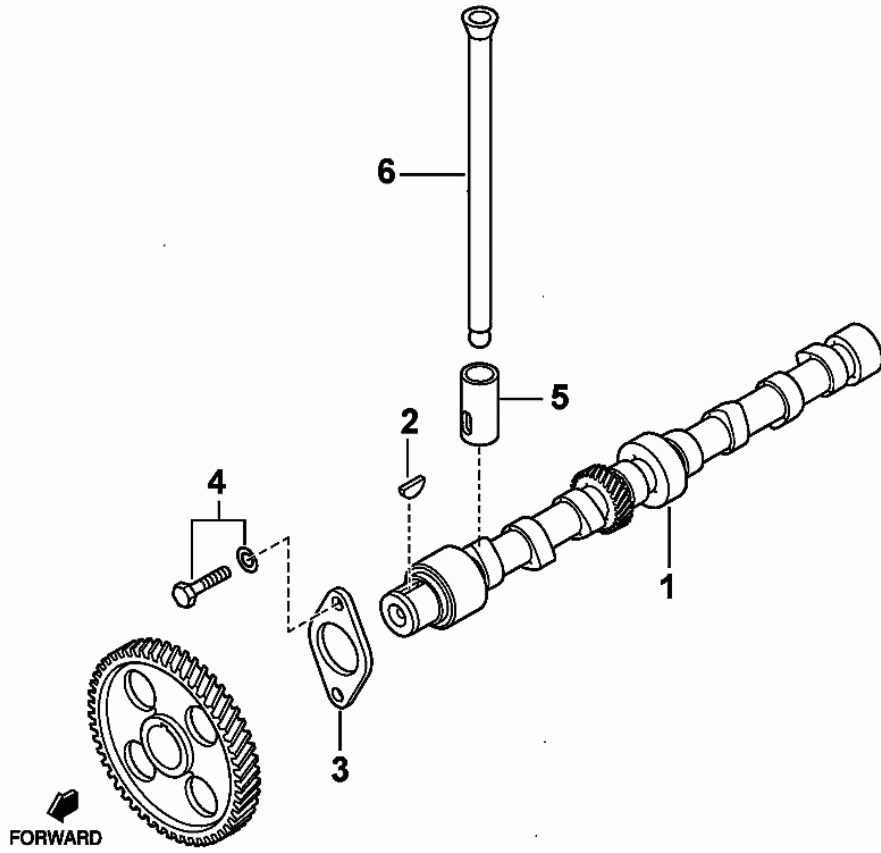


2\_8059\_526\_0

Section: B0 - ENGINE

**CAMSHAFT**

Fig.	Code	QTY	Name
1	0.010.3949.2	1	camshaft
2	0.009.4555.1	1	key
3	0.010.3950.0	1	small plate
4	0.010.2639.1	2	screw
5	0.010.3950.1	8	tappets
6	0.010.2646.2	8	rod

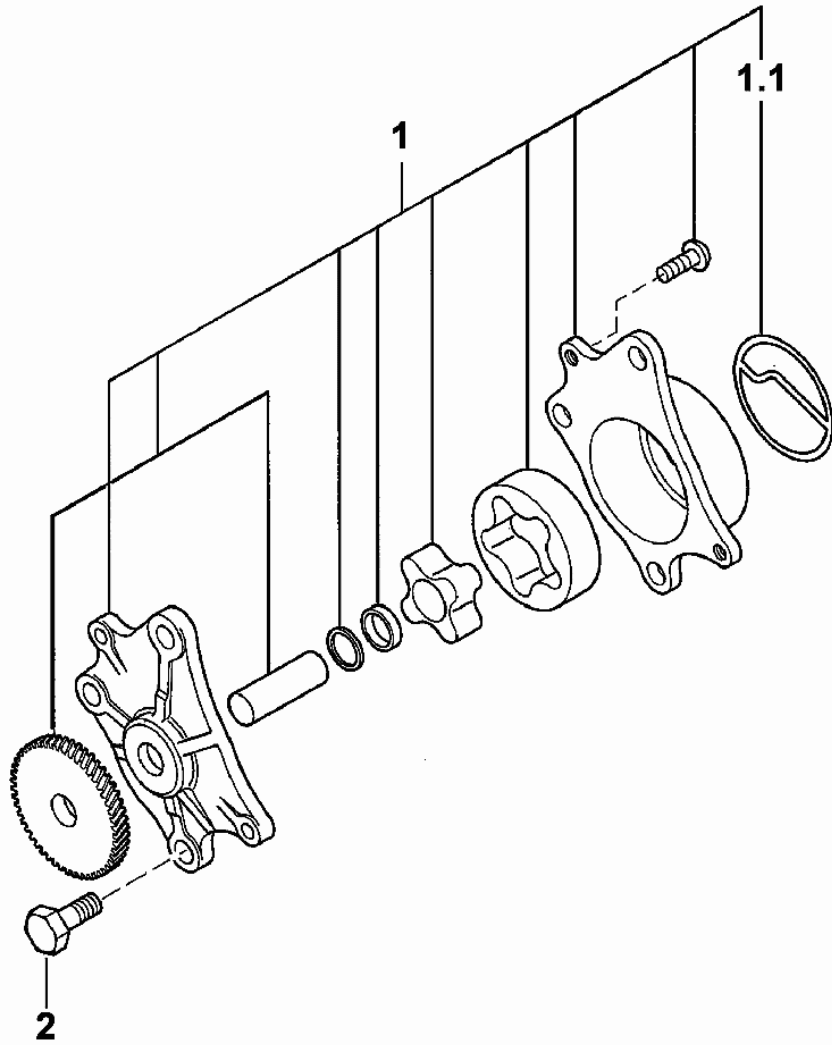


01031-016E

MIT\_H36\_007-A-001

**OIL PUMP**

Fig.	Code	QTY	Name
1	0.010.2684.2	1	oil pump
1.1	0.010.2685.0	1	gasket
2	0.010.2685.1	3	screw

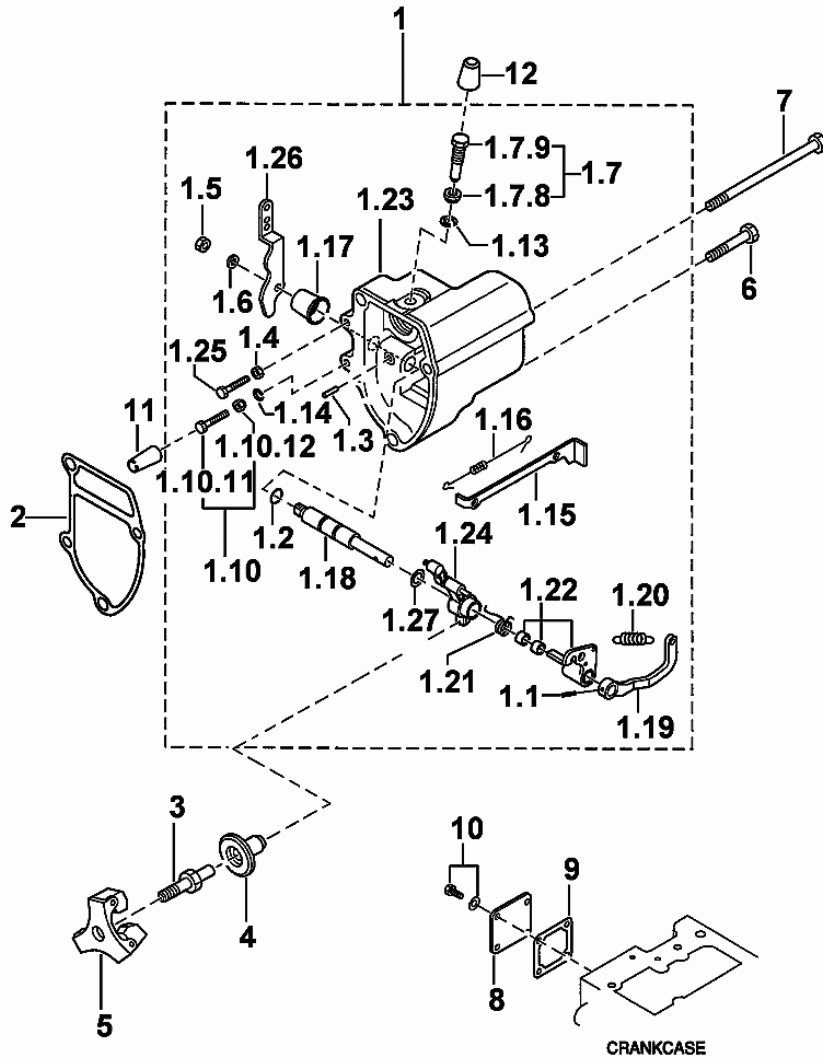


03011-001E

MIT\_H36\_025-A-001

Section: B0 - ENGINE  
**CONTROLLER**

Fig.	Code	QTY	Name
1	0.010.2729.0	1	regulator
1.1	0.010.2719.1	1	pin
1.2	0.010.2719.2	1	'o' ring
1.3	0.009.4622.0	1	pin
1.4	0.009.4624.0	1	nut
1.5	0.009.4624.1	1	selflock nut
1.6	0.009.4539.2	1	spring washer
1.7	0.010.2720.2	1	screw
1.7.8	0.010.2721.0	1	nut
1.7.9	0.010.2721.1	1	screw
1.10	0.010.2729.1	1	nut bult
1.10.11	0.010.2729.2	1	screw
1.10.12	0.010.2730.0	1	nut
1.13	0.010.2730.1	1	ring
1.14	0.010.2730.2	1	ring
1.15	0.010.2726.1	1	rod
1.16	0.010.2726.0	1	spring
1.17	0.010.2721.2	1	cover
1.18	0.010.2722.0	1	shaft
1.19	0.010.2722.1	1	lever
1.20	0.010.2727.1	1	spring
1.21	0.010.2723.0	1	spring
1.22	0.010.2723.1	1	lever
1.23	0.010.2724.2	1	cover
1.24	0.010.2724.1	1	lever
1.25	0.010.2723.2	1	screw
1.26	0.010.2725.2	1	lever
1.27	0.010.2724.0	1	ring
2	0.010.2716.1	1	gasket
3	0.010.2716.2	1	pin
4	0.010.2717.0	1	mass
5	0.010.2717.1	1	support
6	0.010.2659.1	3	screw
7	0.010.2718.1	1	screw
8	0.010.2718.2	1	cover
9	0.010.3961.0	1	gasket
10	0.010.2682.1	4	screw
11	0.010.2728.0	1	cap
12	0.010.2752.0	1	cap



MIT\_H36\_042-A-001

06011-074E 45CV

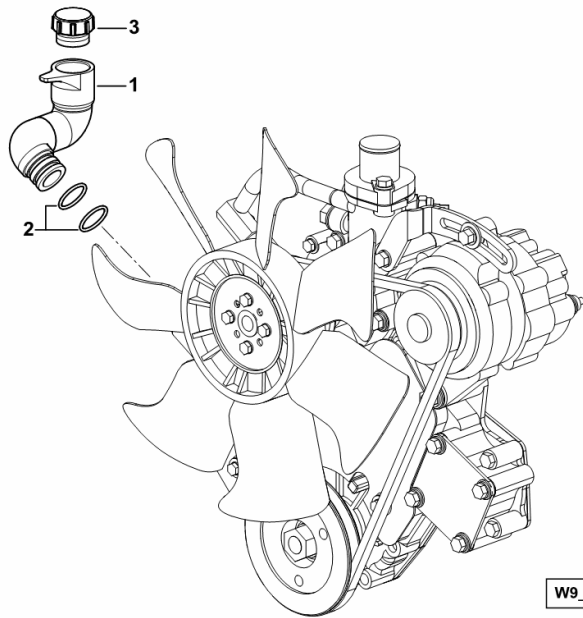
**OIL FILLER NECK**

Fig.	Code	QTY	Name
------	------	-----	------

**Notes:**

[SOLARIS 45 ->ZKDS1201V0MS20001] [SOLARIS 45 ->ZKDS1202V0MS20001]

1	0.013.4141.2	1	tube
2	2.1530.066.0	2	'o' ring 25.07x2.62
3	0.010.3951.2	1	plug



W9\_M8616\_03\_0-A-001

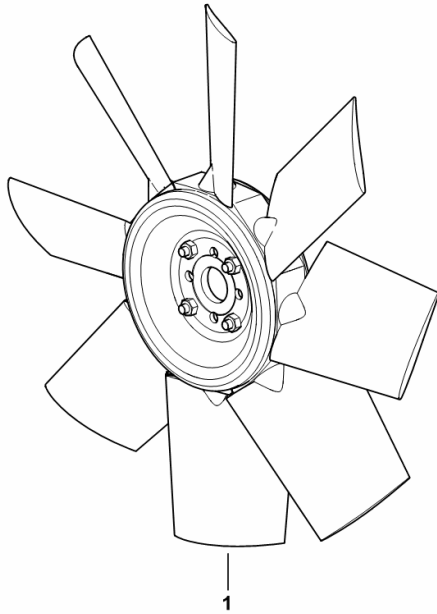
**ENGINE AIR BLOWER**

Fig.	Code	QTY	Name
------	------	-----	------

**Notes:**

- FOR MODELS WITHOUT CAB [SOLARIS 45 ->ZKDS1201V0MS20001] - FOR MODELS WITHOUT CAB [SOLARIS 45 ->ZKDS1202V0MS20001]

1	0.013.7377.4	1	rotor blade
---	--------------	---	-------------



W9\_M8619\_00\_0-A-001

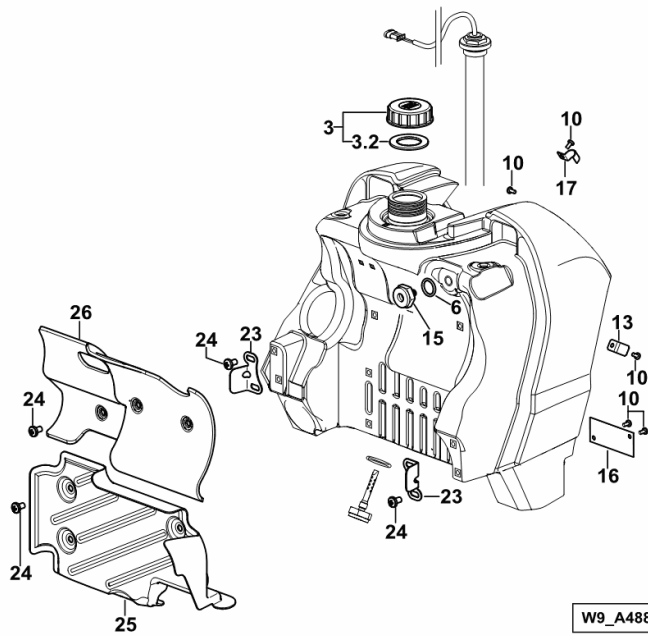
**FUEL SYSTEM - TANK**

Fig.	Code	QTY	Name
------	------	-----	------

**Notes:**

[SOLARIS 45 ->ZKDS1201V0MS20001] [SOLARIS 45 ->ZKDS1202V0MS20001]

3	0.012.3914.3	1	plug
3.2	2.1569.157.0	1	gasket 37.8x59.8x3
6	2.1530.056.0	1	'o' ring 21.82 x 3.53
10	2.0332.303.2	6	screw m 5 p.0.8 x 10
13	0.013.3555.0	1	bracket
15	0.013.5377.0/10	1	pipe fitting
16	0.013.5369.0	1	guard
17	2.6810.009.2	1	bracket
23	0.013.7014.0	2	bracket
24	2.0332.506.2	11	screw m 8 x 16
25	0.013.7343.0/10	1	panel
26	0.013.7345.0	1	panel



W9\_A4881\_00\_0-A-002

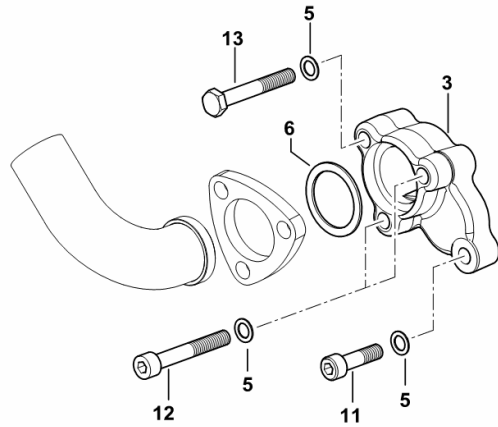
**FLANGE FOR EXHAUST SILENCER**

Fig.	Code	QTY	Name
------	------	-----	------

**Notes:**

[SOLARIS 45 ->ZKDS1201V0MS20001] [SOLARIS 45 ->ZKDS1202V0MS20001]

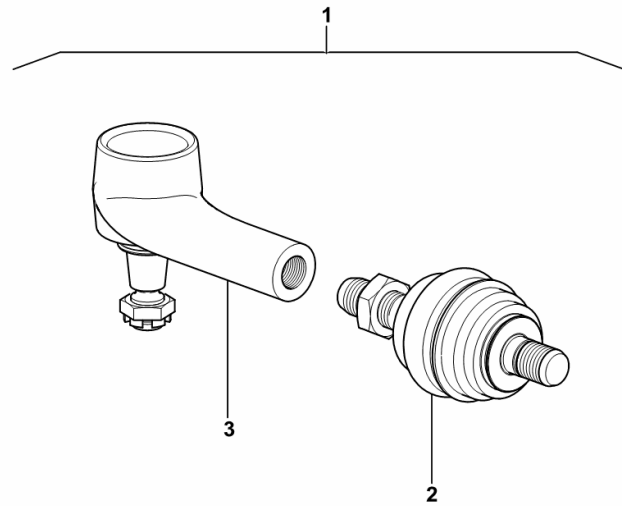
3	0.013.1338.0	1	flange
5	2.1480.014.2	4	washer 8
6	0.013.1336.0	1	gasket
11	2.0312.210.2	1	screw m 8 p 1.25 x 30
12	2.0312.217.2	2	screw m 8 p.1.25x55
13	2.0112.220.2	1	screw m 8 p.1.25x55



W9\_A5256\_03\_0-A-001

**LINKAGE**

Fig.	Code	QTY	Name
1	0.012.8958.4/10	1	rod dx/rh/re
2	0.010.3938.0	1	joint
3	0.010.3938.1	1	head



0\_012\_8958\_4\_10

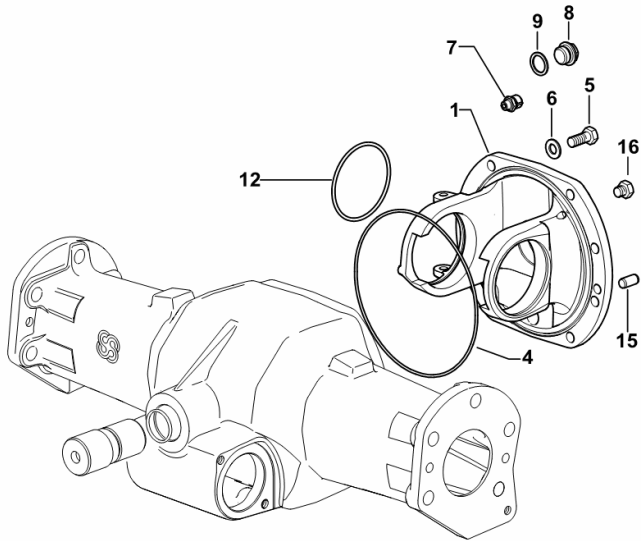
**4WD - FLANGE**

Fig.	Code	QTY	Name
------	------	-----	------

**Notes:**

[SOLARIS 45 ->ZKDS1202V0MS20001]

1	0.008.7678.0/60	1	flange
4	2.1539.125.0	1	'o' ring 171.12x2.62
5	2.0112.309.2	8	screw m 10 p.1.5 x 25
6	2.1475.003.2	8	washer 10
7	0.135.4363.3/10	1	valve
8	2.3110.405.1	2	plug m 18 p.1.5 x 15
9	2.1560.014.0	2	gasket 18.2 x 24 x 1.5
12	2.1532.503.0	2	'o' ring 82.14x2.62
15	2.1651.809.0	6	cylindrical plug 10x20
16	2.3130.001.1	1	plug 1/8" gas



W9\_55843\_00\_0-B-001

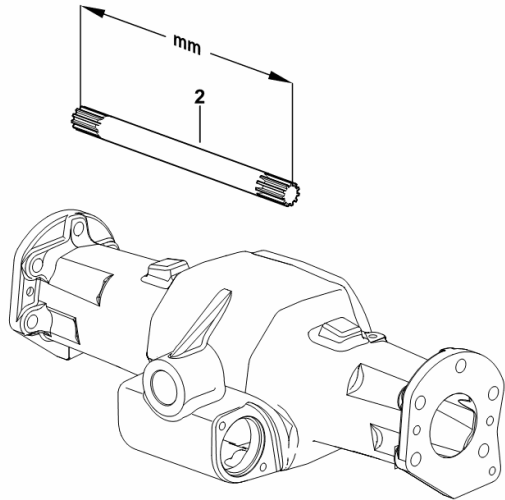
**4WD - AXLESHAFTS WITH DIFFERENTIAL LOCK**

Fig.	Code	QTY	Name
------	------	-----	------

**Notes:**

[SOLARIS 45 ->ZKDS1202V0MS20001]

2	0.008.7719.0	1	half-shaft mm 320
---	--------------	---	-------------------



W9\_A4843\_02\_0-B-001

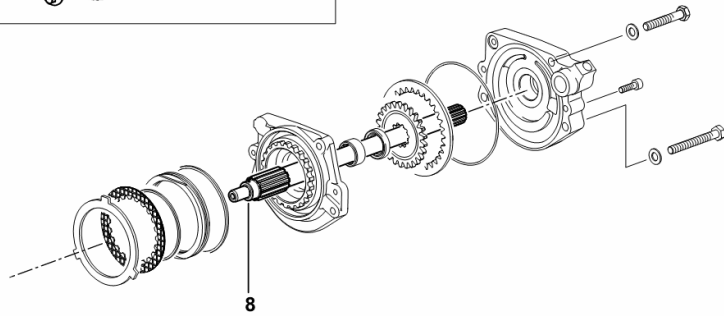
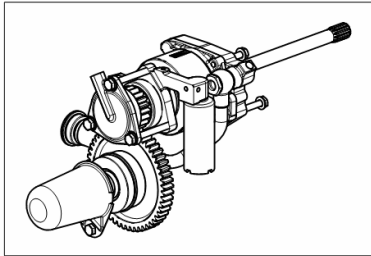
**DRIVE SHAFT - FRONT P.T.O. SHAFT**

Fig.	Code	QTY	Name
------	------	-----	------

**Notes:**

- EXPORT U.S.A. [SOLARIS 45 ->ZKDS1201V0MS20001] - EXPORT U.S.A. [SOLARIS 45 ->ZKDS1202V0MS20001]

8	0.014.0035.0	1	shaft
---	--------------	---	-------



W9\_A4859\_86\_0-D-001

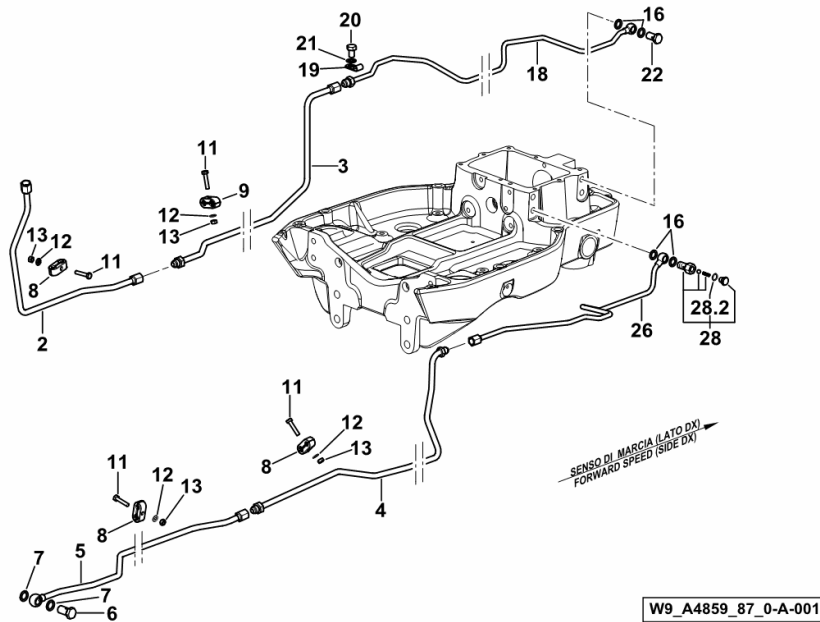
**FRONT PTO HYDRAULIC SYSTEM**

Fig.	Code	QTY	Name
------	------	-----	------

**Notes:**

[SOLARIS 45 ->ZKDS1201V0MS20001] [SOLARIS 45 ->ZKDS1202V0MS20001]

2	0.014.1934.3	1	tube
3	0.014.1933.3	1	tube
4	0.014.1900.3	1	tube
5	0.014.1901.3/10	1	tube
6	2.3332.004.1	1	pipe union m 14 p.1.5 x 27
7	2.1560.010.0	2	gasket 14.2 x 20 x 1.5
8	2.3321.005.0	3	clamp 8-10
9	2.3321.009.0	1	clamp 10-12
11	2.0112.011.2	5	screw m 6 p.1x30
12	2.1310.002.2	5	washer 6.6, d125
13	2.1011.103.2	5	nut m 6 p.1
16	2.1560.008.0	17	gasket 12.2 x 18
18	0.014.1883.3/10	1	tube
19	2.6839.037.2	1	clamp Ø 8
20	2.0112.305.2	1	screw m 10 p.1.5 x 16
21	2.1470.006.2	2	lock washer 10
22	2.3332.003.1	7	pipe union m 12 p.1.25
26	0.014.1880.3	1	tube
28	0.014.1722.3	1	valve
28.2	2.1560.005.0	1	gasket 10.2 x 14



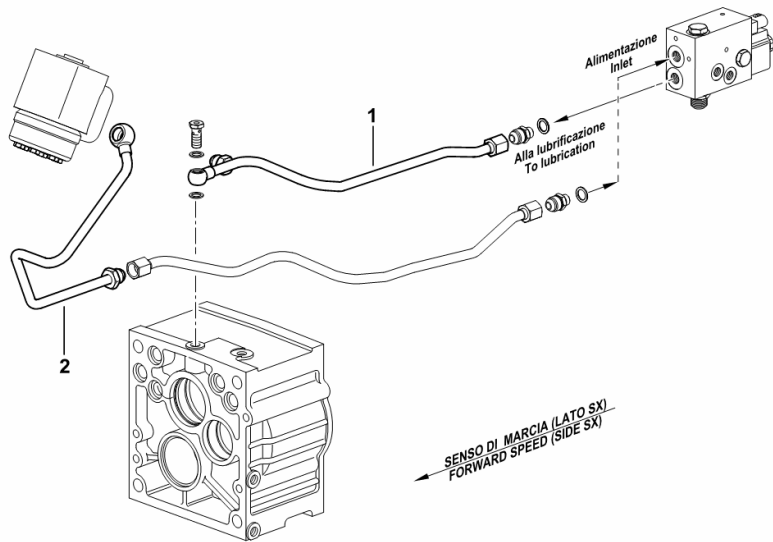
**HYDRAULIC SYSTEM**

Fig.	Code	QTY	Name
------	------	-----	------

**Notes:**

- WITH 12+12 GEARBOX - FOR TYPES WITHOUT FRONT PTO [SOLARIS 45 ->ZKDS1201V0MS20001] - WITH 12+12 GEARBOX - FOR TYPES WITHOUT FRONT PTO [SOLARIS 45 ->ZKDS1202V0MS20001]

1	0.013.9891.3	1	tube
2	0.013.3041.3	1	tube



W9\_A4882\_14\_0-A-001

**SOLARIS 45 ->ZKDS1202V0MS20001**

Section: H0 - HYDRAULIC AND PNEUMATIC SYSTEM|

Ref.: H0.06.0 (1)

**HYDRAULIC SYSTEM WITH CENTRAL AND FRONT QUICK ACTION COUPLERS**

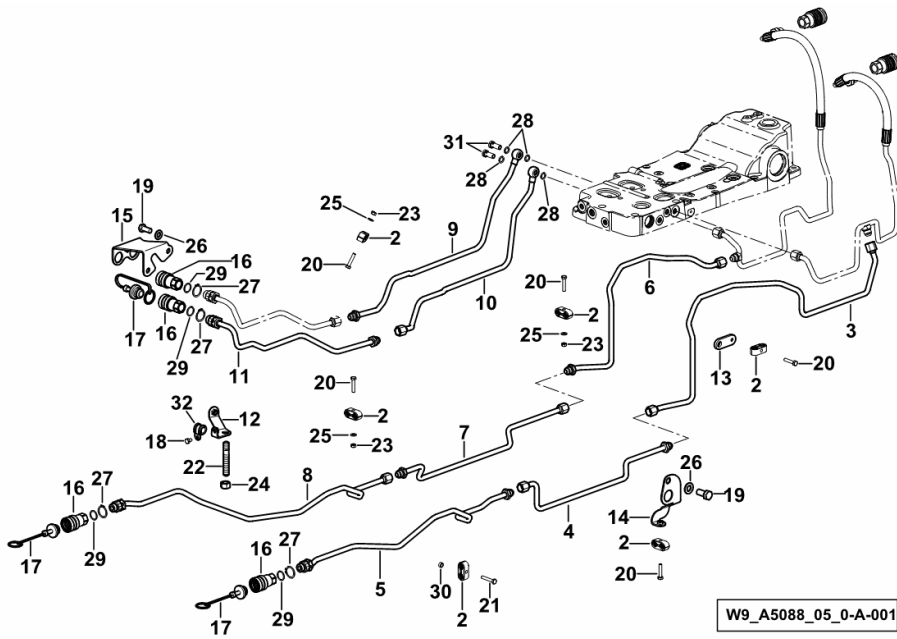


Fig.	Code	QTY	Name
------	------	-----	------

**Notes:**

[SOLARIS 45 ->ZKDS1201V0MS20001] [SOLARIS 45 ->ZKDS1202V0MS20001]

2	2.3321.010.0	7	collar Ø 12/12
3	0.013.9830.3	1	tube
4	0.013.9832.3	1	tube
5	0.013.9833.3	1	tube
6	0.013.9834.3	1	tube
7	0.013.9836.3	1	tube
8	0.013.9837.3	1	tube
9	0.013.9838.3/20	1	tube
10	0.013.9840.3/20	1	tube
11	0.013.9841.3	1	tube
12	0.013.9845.3	1	bracket
13	0.013.9846.0	1	bracket
14	0.013.9847.3	1	bracket
15	0.013.9848.3/10	1	bracket
16	0.98308.50.3/10	4	coupling 0.98308.50.3/10
17	0.013.7997.0	4	plug
18	2.0112.002.2	1	screw m 6 p.1 x 10
19	2.0122.459.6	3	screw m 12 p.1.25x25
20	2.0112.011.2	6	screw m 6 p.1x30
21	2.0112.013.2	1	screw m 6 p.1 x 35
22	2.0432.267.2	1	stud bolt m 12 p.1.75-1.25x60
23	2.1011.103.2	4	nut m 6 p.1
24	2.1011.422.2	1	nut m 12 p.1.25
25	2.1310.002.2	4	washer 6.6, d125
26	2.1310.007.2	3	flat washer 13.5
27	2.1410.011.2	4	circlip 28
28	2.1560.008.0	4	gasket 12.2 x 18
29	2.1560.054.0	4	gasket 21 x 26
30	2.1549.009.2	1	spacer 7x11x5.5
31	2.3335.052.2	2	pipe union m 12 p.1.5
32	2.6839.059.0	1	clamp Ø 12 / 15

**SOLARIS 45 ->ZKDS1202V0MS20001**

Section: H0 - HYDRAULIC AND PNEUMATIC SYSTEM|

Ref.: H0.07.6 (1)

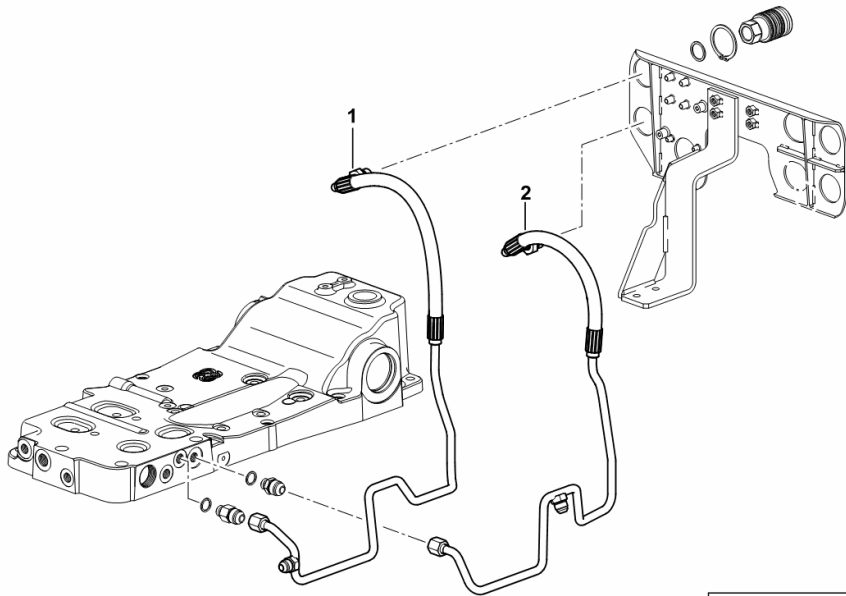
**PIPES/HOSES FOR QUICK ACTION REAR COUPLERS**

Fig.	Code	QTY	Name
------	------	-----	------

**Notes:**

- WITH QUICK ACTION FRONT COUPLERS [SOLARIS 45 ->ZKDS1201V0MS20001] - WITH QUICK ACTION FRONT COUPLERS [SOLARIS 45 ->ZKDS1202V0MS20001]

1	0.013.9629.3/10	1	tube
2	0.013.9628.3	1	tube



W9\_A5088\_04\_0-A-001

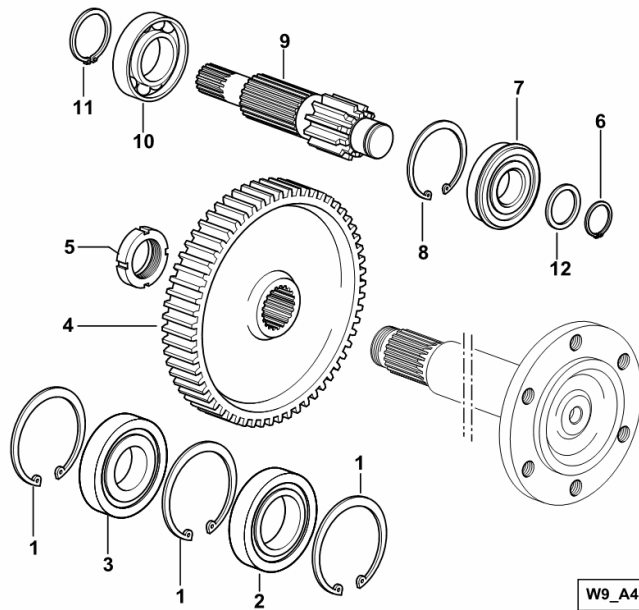
**REDUCTION GEAR UNIT**

Fig.	Code	QTY	Name
------	------	-----	------

**Notes:**

[SOLARIS 45 ->ZKDS1201V0MS20001] [SOLARIS 45 ->ZKDS1202V0MS20001]

1	2.1411.040.1	6	circlip 100
2	2.2040.015.0	2	ball bearing iso 55 bc 02
3	2.2064.013.0	2	ball bearing 45x100x25
4	0.008.7248.0/10	2	gear z = 59
5	2.1219.032.0/10	2	ring nut m 40 p.1.5
6	2.1412.013.7	2	ring Ø 35
7	2.2999.235.0	2	bearing 35 x 80 x 21
8	2.1411.032.1	2	circlip 80 x 2.5
9	0.013.0277.0	2	half-shaft
10	2.2045.013.0	2	bearing 45 x 85 x 19
11	2.1410.018.7	2	circlip 45
12	2.1599.874.0	2	washer 35 x 45 x 3.0



WS\_A4847\_00\_0-A-001

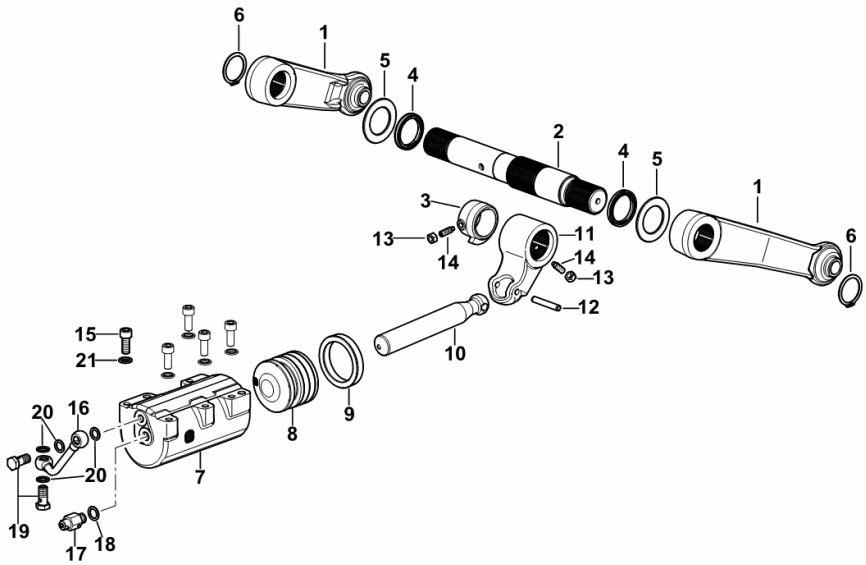
**LIFTING**

Fig.	Code	QTY	Name
------	------	-----	------

**Notes:**

[SOLARIS 45 ->ZKDS1201V0MS20001] [SOLARIS 45 ->ZKDS1202V0MS20001]

1	0.012.4959.3/10	2	lift lever
2	0.009.2569.0/40	1	shaft
3	0.009.2554.0/40	1	sleeve
4	2.1529.097.0	2	'o' ring
5	2.1599.315.2	2	thrust plate 40x65x3
6	2.1410.016.1	2	circlip 40
7	0.014.0464.0/10	1	cylinder
8	0.014.0713.0	1	piston mm 75
9	2.1518.086.0	1	'o' ring 60x75
10	0.014.0471.0	1	connecting rod
11	0.009.2555.0/20	1	lever
12	2.1631.719.0	1	roll pin 8x59
13	2.1011.105.2	2	nut m 8 p.1.25
14	2.0522.210.7	2	screw m 8 p.1.25 x 25
15	2.0319.003.2	5	screw m 10 p 1.25 x 25
16	0.014.0512.3	1	tube
17	0.015.9122.3	1	valve
18	2.1560.010.0	1	gasket 14.2 x 20 x 1.5
19	2.3339.472.2/10	2	pipe union m 12 p.1.25x26
20	2.1560.008.0	4	gasket 12.2 x 18
21	2.1561.005.0	5	washer typ A



W9\_A5059\_21\_0-A-001

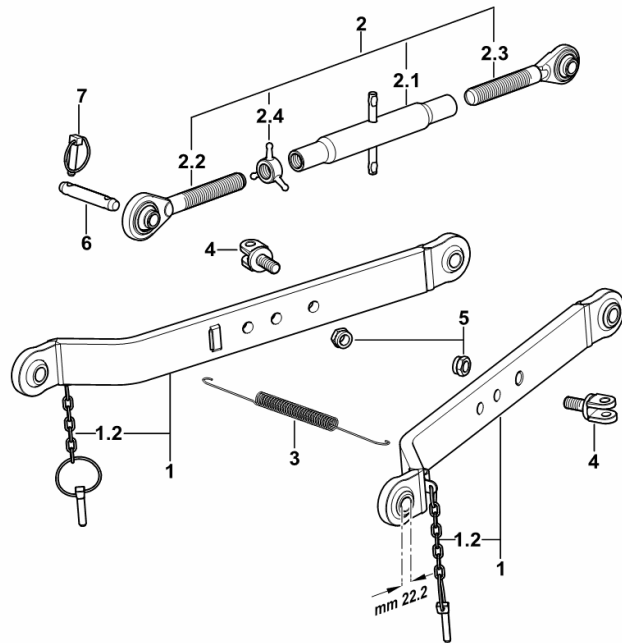
**THREE-POINT COUPLING - TOP/LOWER LINK**

Fig.	Code	QTY	Name
------	------	-----	------

**Notes:**

- CATEGORY 1 [SOLARIS 45 ->ZKDS1201V0MS20001] - CATEGORY 1 [SOLARIS 45 ->ZKDS1202V0MS20001]

1	0.012.4971.4/10	2	arm
1.2	0.001.3041.4	1	pin
2	0.96018.13.4/20	1	3 point hitch
2.1	0.96018.13.3	1	sleeve
2.2	0.96014.14.3/10	1	rod
2.3	0.96014.15.3	1	rod sx/lh/li
2.4	0.96014.57.0/10	1	locknut m 27 p.3
3	2.4049.111.2	1	spring
4	0.008.7619.0	2	pin
5	2.1120.310.2	2	selflock nut m 18 p.1.5
6	2.1669.025.2	1	pin 19x115.5
7	0.010.9322.4	2	pin Ø 11



W9\_A4858\_10\_0-A-001

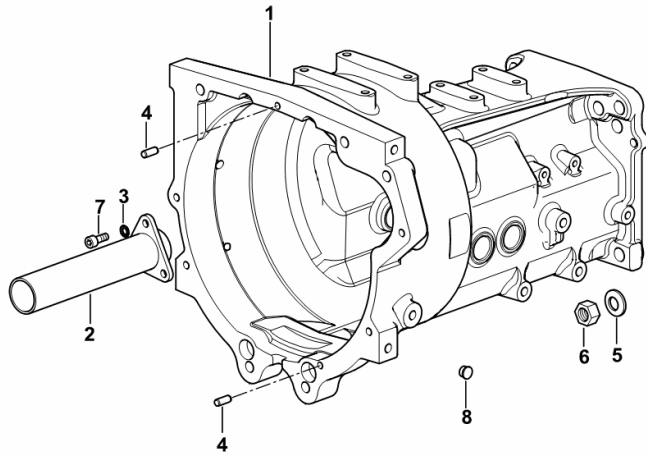
**JUNCTION CASE**

Fig.	Code	QTY	Name
------	------	-----	------

**Notes:**

12+12 [SOLARIS 45 ->ZKDS1201V0MS20001] 12+12 [SOLARIS 45 ->ZKDS1202V0MS20001]

1	0.013.0276.0/40	1	clutch housing
2	0.013.0278.2	1	tube
3	2.1470.004.2	2	washer 8
4	2.1651.709.0	2	pin 8x20
5	2.1475.006.2	4	washer 16
6	2.1011.409.2	4	nut m 16 p.1.5
7	2.0312.206.2	2	screw m 8 p 1.25 x 20
8	2.3199.537.0	12	plug Ø 11



W9\_A4852\_01\_0-A-001

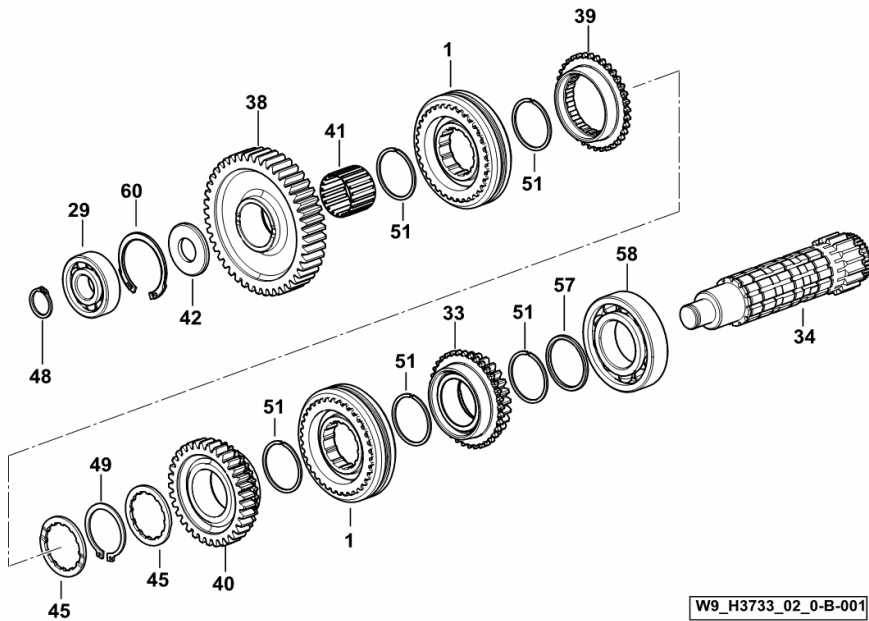
**TRANSMISSION SHAFT**

Fig.	Code	QTY	Name
------	------	-----	------

**Notes:**

16+16 [SOLARIS 45 ->ZKDS1201V0MS20001] 16+16 [SOLARIS 45 ->ZKDS1202V0MS20001]

1	0.008.4951.4	4	lock synchronizer ☞ 0.008.4951.4
29	2.2999.265.0	4	bearing 20x52x15
33	0.008.7218.3/20	1	gear z = 26
34	0.013.0265.0	1	countershaft
38	0.008.7221.3/20	1	gear z = 45
39	0.008.7220.3/10	1	gear Z = 39
40	0.008.7219.3/20	1	gear z = 33
41	2.2770.057.0	1	roller cage 32x37x27
42	2.1589.228.0/10	1	snoulder 20x43.5x3
45	0.008.7340.0	2	ring
48	2.1410.006.1	2	circlip 20
49	2.1410.016.7	3	circlip 40x1.75
51	2.1422.029.7	9	circlip 40 x 1.5
57	2.1599.579.0/10	1	shoulder
58	2.2040.012.0	1	ball bearing iso 40 bc 02
60	2.1419.071.0	1	circlip 56.2x2



W9\_H3733\_02\_0-B-001

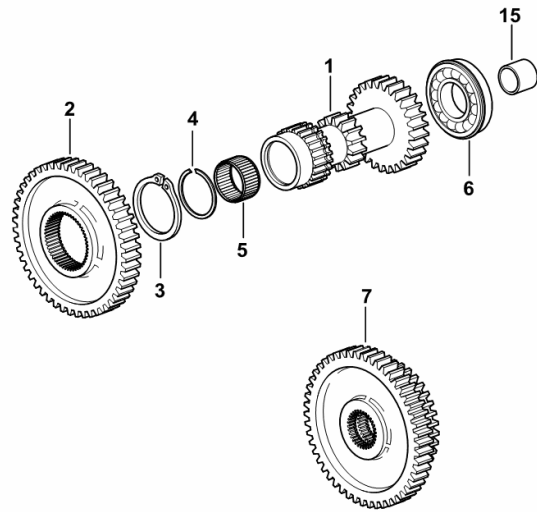
**REDUCTION GEAR UNIT**

Fig.	Code	QTY	Name
------	------	-----	------

**Notes:**

12+12 [SOLARIS 45 ->ZKDS1201V0MS20001] 12+12 [SOLARIS 45 ->ZKDS1202V0MS20001]

1	0.008.7223.0/10	1	shaft
2	0.008.7224.0	1	gear Z = 49
3	2.1410.020.1	1	circlip 50
4	2.1423.027.7	1	circlip 37x1.5
5	2.2770.056.0	1	roller cage 32x37x17
6	2.2043.009.0	1	ball bearing 30x62x16
7	0.013.0269.0	1	gear z = 50 - z = 37
15	2.1555.311.0	1	bushing 20x23x20



W9\_A4834\_00\_0-A-001

SOLARIS 45 ->ZKDS1202V0MS20001

Section: D0 - TRANSMISSION

Ref.: D0.14.3 (1)

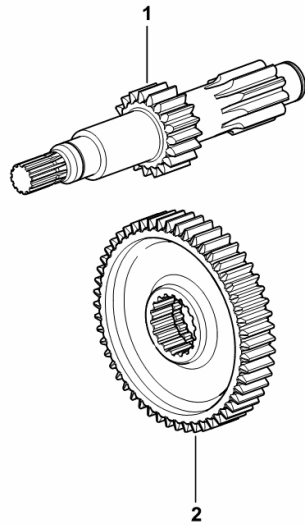
P.T.O. - WITH N' 540 - 750

Fig.	Code	QTY	Name
------	------	-----	------

Notes:

[SOLARIS 45 ->ZKDS1201V0MS20001] 20023 <- [SOLARIS 45 ->ZKDS1202V0MS20001] 20023 <-

1	0.014.0236.0	1	shaft Z = 10 / Z = 15
2	0.014.0215.0	1	gear Z = 56



W9\_A4836\_07\_0-A-001

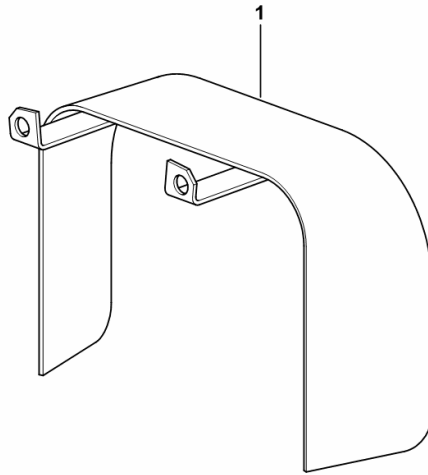
**P.T.O. SHAFT PROTECTOR REAR**

Fig.	Code	QTY	Name
------	------	-----	------

**Notes:**

- CON ARCO DI SICUREZZA [SOLARIS 45 ->ZKDS1201V0MS20001] - CON ARCO DI SICUREZZA [SOLARIS 45 ->ZKDS1202V0MS20001]

1	0.008.7834.3/20	1	guard P.T.O.
---	-----------------	---	--------------



W9\_53236\_20\_0-A-001

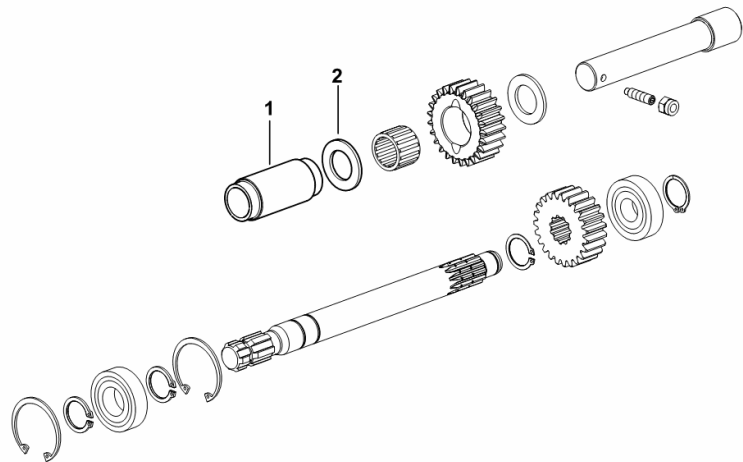
**MID PTO PACKAGE**

Fig.	Code	QTY	Name
------	------	-----	------

**Notes:**

- FOR TYPES WITHOUT SYNCHRONIZED P.T.O. [SOLARIS 45 ->ZKDS1201V0MS20001] - FOR TYPES WITHOUT SYNCHRONIZED P.T.O. [SOLARIS 45 ->ZKDS1202V0MS20001]

1	0.014.0232.0/10	1	spacer
2	2.1599.613.0/10	1	shoulder 25.1x42x3



W9\_A4836\_18\_0-A-001

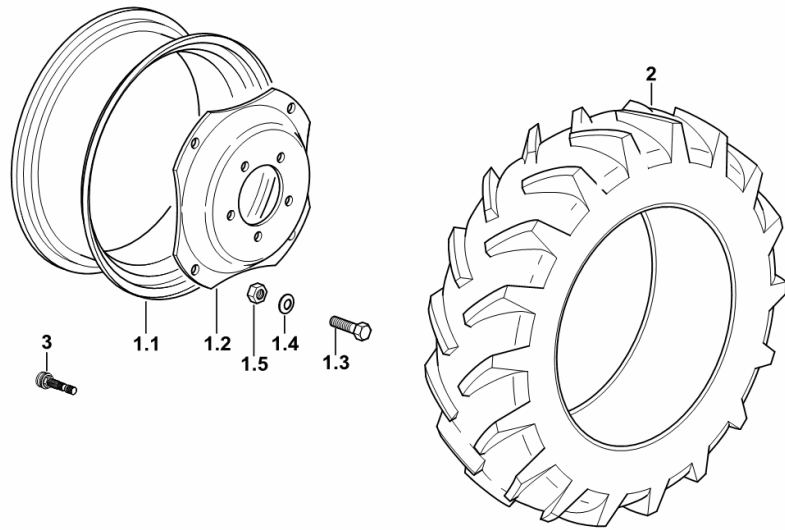
**WHEELS 7.50 R16" PR 8**

Fig.	Code	QTY	Name
------	------	-----	------

**Notes:**

[SOLARIS 45 ->ZKDS1202V0MS20001]

1.1	0.012.2807.3	1	rim 5.50F x 16" C/BL
1.2	0.008.7636.0	1	rim center flange
1.3	2.0122.621.6	4	screw m 16 p.1.5 x 60
1.4	2.1499.019.6	4	washer 16.3 x 31.5
1.5	2.1011.309.6	4	nut m 16 p.1.5
2	2.4811.232.0	2	tyre 7.50-16" pr 8
3	2.4820.017.0	2	air chamber x 7.50-16



W9\_55855\_20\_0-A-001

CLICK HERE TO **DOWNLOAD** THE COMPLETE MANUAL

- Thank you very much for reading the preview of the manual.
- You can download the complete manual from: [www.heydownloads.com](http://www.heydownloads.com) by clicking the link below



- Please note: If there is no response to CLICKING the link, please download this PDF first and then click on it.

CLICK HERE TO **DOWNLOAD** THE COMPLETE MANUAL