

REX **REPAIR PARTS**

BULLETIN 463

S.P. VIBRATORY ROLLER

SERIAL NO. HX - 157 & Up

9/72

REX CHAINBELT INC.

CONSTRUCTION MACHINERY SECTION, MILWAUKEE, WISCONSIN 53201

MANUFACTURERS OF:

*Truck Mixers
Building Mixers
Pumps
Pumpcrete
Airport and Road Forms
Road Pavers
Spreaders
Finishers
Floats
Spray Cure Machines
Subgrade Planer and Tester
Clump-Matic*

*Conveyors
Road Batch Plants
Central Mix Plants
Dry Batch Plants
Automation
Pulvi-Mixers
Trav-L-Plants
Pneumatic Compactors
Steel Wheel Rollers
Material Spreaders
Concrete Breakers
RFX Pactor*

CLICK HERE TO **DOWNLOAD** THE COMPLETE MANUAL

- Thank you very much for reading the preview of the manual.
- You can download the complete manual from: www.heydownloads.com by clicking the link below



- Please note: If there is no response to CLICKING the link, please download this PDF first and then click on it.

CLICK HERE TO **DOWNLOAD** THE COMPLETE MANUAL



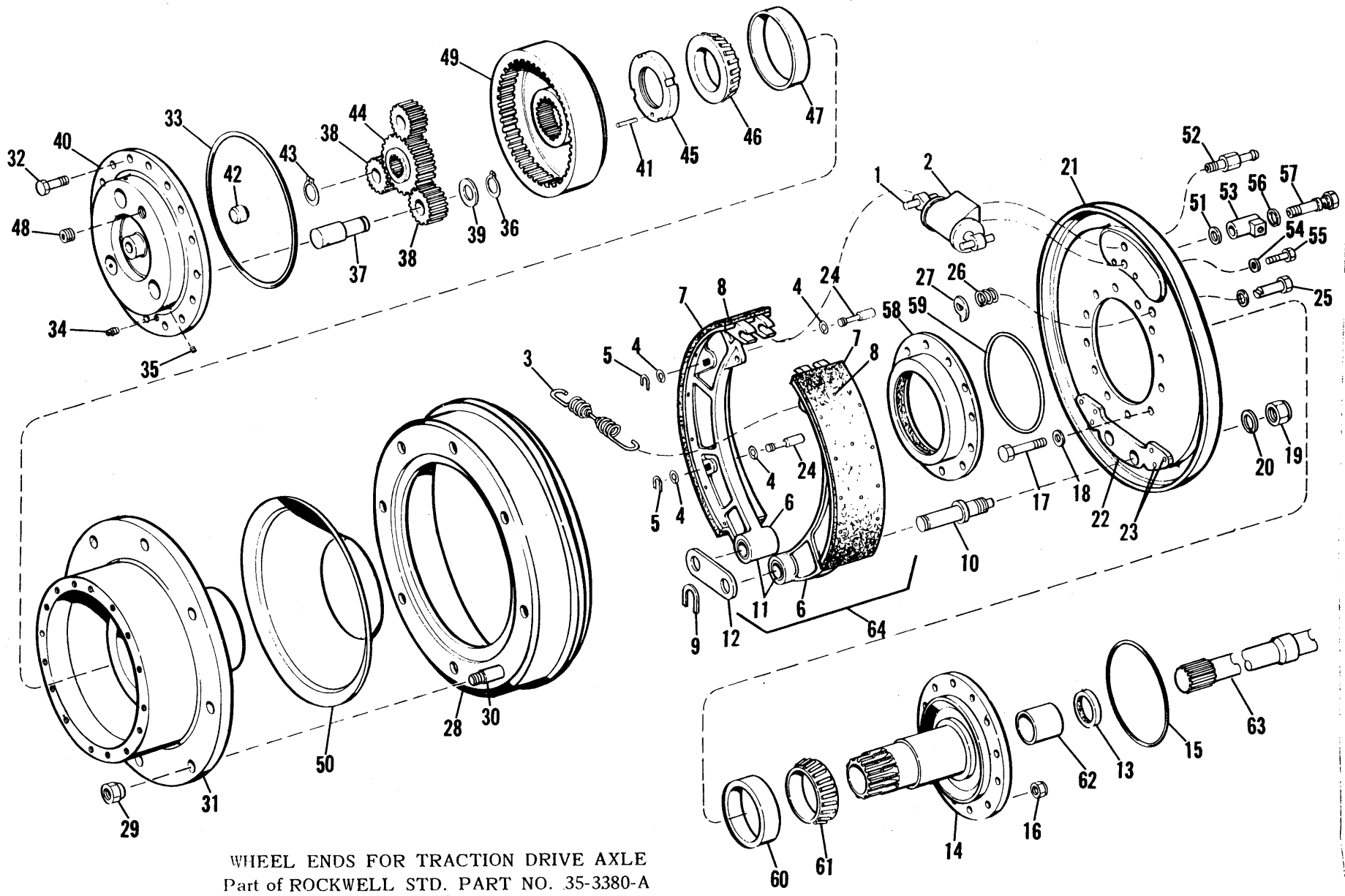
Specify Quantity, Part Number and Description When Ordering

REX CHAINBELT INC.
PRINTED IN U.S.A.

POWER UNIT
MUFFLER – AIR CLEANER – RADIATOR & HOSES
TRACTION AND EXCITER DRIVE HYDRAULIC PUMPS

Item No.	Part Number	Description	No. Req'd.	Item No.	Part Number	Description	No. Req'd.
18	- - - - -	Cap Screw 3/8" x 1" w/L.W.	5	46	102-8103-1	Air Cleaner (See Sep. Illus.)	1
	- - - - -	Cap Screw 1/2" x 1 3/4" w/C.W. & Lock Nut	2	47	298-5127-92	Cap – Air Cleaner	1
19	102-7949-1	Hydraulic Pump (Steering) (See Sep. Illus.)	1	48	298-5126-92	Mounting Band	2
20	102-3675-1	Sheave – Steering Pump	1	49	298-5091-92	Straight Hump – Air Cleaner	1
21	- - - - -	“V” Belt (Maurey #3V-355)	1	50	298-9016-86	Hose Clamp	4
22	102-3680-1	Adapter – Flange Yoke	1	51	298-6509-68	Indicator – Air Cleaner	1
23	- - - - -	Nyloc Socket Head Cap Screw 5/16" x 1"	4	52	298-5092-92	Elbow 4" x 90°	1
24	298-5515-68	Mounting Bushing	4	53	502-2781-80	Adapter Tube – Air Inlet	1
25	298-3740	Cap Screw 1/2" x 3" w/Nut, L.W. & C.W.	4	54	502-2780-80	Tube – Air Cleaner	1
26	102-3886-1	Flange Yoke	1	55	298-216-47	Tube Clamp	1
27	X203761	Shaft Yoke	1	56	102-3289-1	Hose – Upper – Radiator	1
28	102-7036-1	Sleeve Yoke	1	57	298-5573-68	Hose – Lower – Radiator	1
29	X203765	Flange Yoke	1	58	298-9005-86	Hose Clamp	4
30	X203741	Snap Ring	4	59	298-20-98	Drain Cock – Radiator	1
31	298-41-93	Special Cap Screw 3/8" x 1" w/L.W.	4	60	502-2157-80	Bracket – Stop – Pump	1
32	102-7723-1	Companion Flange	1	61	- - - - -	Square Head Set Screw 3/8" x 1 1/2"	2
33	- - - - -	Cotter Pin 1/8" x 2"	1		- - - - -	Hex Nut 3/8"	2
34	102-7725-1	Slotted Nut 1"-20 U.N.F.	1	62	298-6085-17	Switch – Neutral Start	1
35	- - - - -	H.C.-H.T. Cap Screw 1/8" x 1 1/2" w/Nut & L.W.	4	63	102-6973-1	Special Nut	1
	102-8705-1	Hydrostatic Pump – Traction Drive (See Sep. Illus.)	1	64	298-2066-56	Oil Pressure Sending Unit	1
36	- - - - -	Cap Screw 1/2" x 1 1/2" w/Nut & L.W.	4	65	102-8672-1	Control Cable – Direction	1
	502-4398-80	Bracket – Hydraulic Pump	1	66	X202821	Ball Joint (1/4"-28)	1
37	- - - - -	Cap Screw 1/2" x 1 1/2" w/C.W.	4	67	102-8523-1	Battery Cable 73"	1
	298-2010-71	Lock Nut 1/2"	4		102-8523-2	Battery Cable 30"	1
38	102-3954-1	Mounting Bracket (R.H.)	1	68	298-3294-17	Battery – 65 Amp. Hr.	1
	- - - - -	Cap Screw 3/8" x 1" w/Nut, L.W. & C.W.	6	69	298-252-47	Frame with Clamp (Battery)	1
39	102-3954-1	Mounting Bracket (L.H.)	1	70	- - - - -	Carriage Bolt 5/16" x 10" w/Nut & L.W.	2
	- - - - -	Cap Screw 3/8" x 1" w/Nut, L.W. & C.W.	6	71	298-5154-92	Exhaust Extension	1
40	102-6518-1	Radiator	1	72	298-5155-92	Weather Cap	1
41	298-5054-92	Oil Cooler	1	73	298-205-47	Clamp – Exhaust	1
	- - - - -	Cap Screw 5/16" x 1" w/L.W.	4	74	502-2754-80	Lever – Pump Control	1
42	502-2738-80	Adapter – Exhaust	1	75	502-2786-80	Hose – Fuel Line – Return	1
43	298-5149-92	Muffler – Exhaust	1		502-2787-80	Hose – Fuel Line – Inlet	1
44	298-5153-92	Elbow – Exhaust	1	76	298-2067-56	Water Temperature Sending Unit	1
45	298-205-47	Muffler Clamp	2	77	298-92-47	Ether Cup	1
				78	298-2071-62	Adapter 90° Inlet Line to Fuel Filter	1

Always Give Serial Number of Machine



WHEEL ENDS FOR TRACTION DRIVE AXLE
 Part of ROCKWELL STD. PART NO. 35-3380-A
 and REX Part No. 102-8095-1

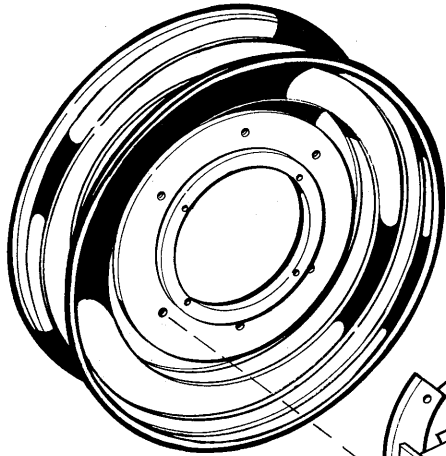
REX Specify Quantity, Part Number and Description When Ordering

REX CHAINBELT INC
 PRINTED IN U.S.A.

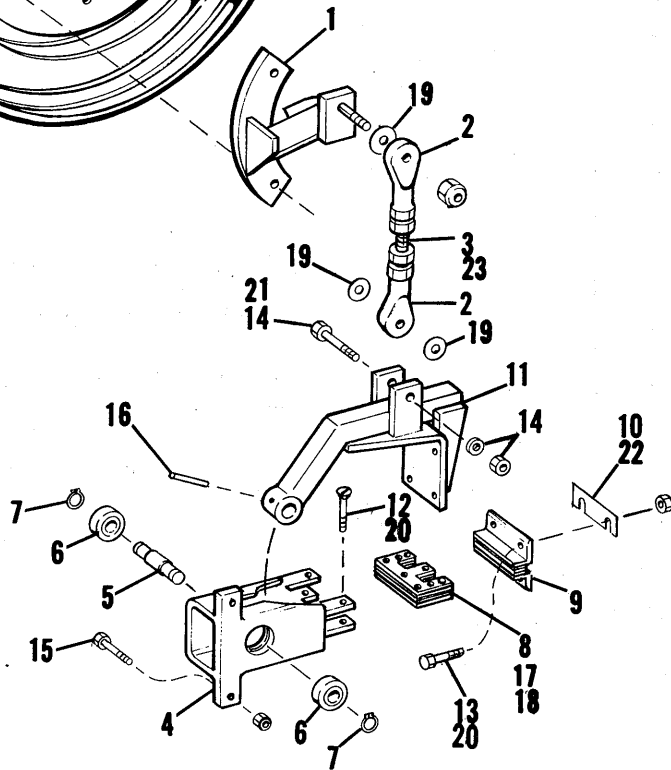


Specify Quantity, Part Number and Description When Ordering

REX CHAINBELT INC.
PRINTED IN U.S.A.



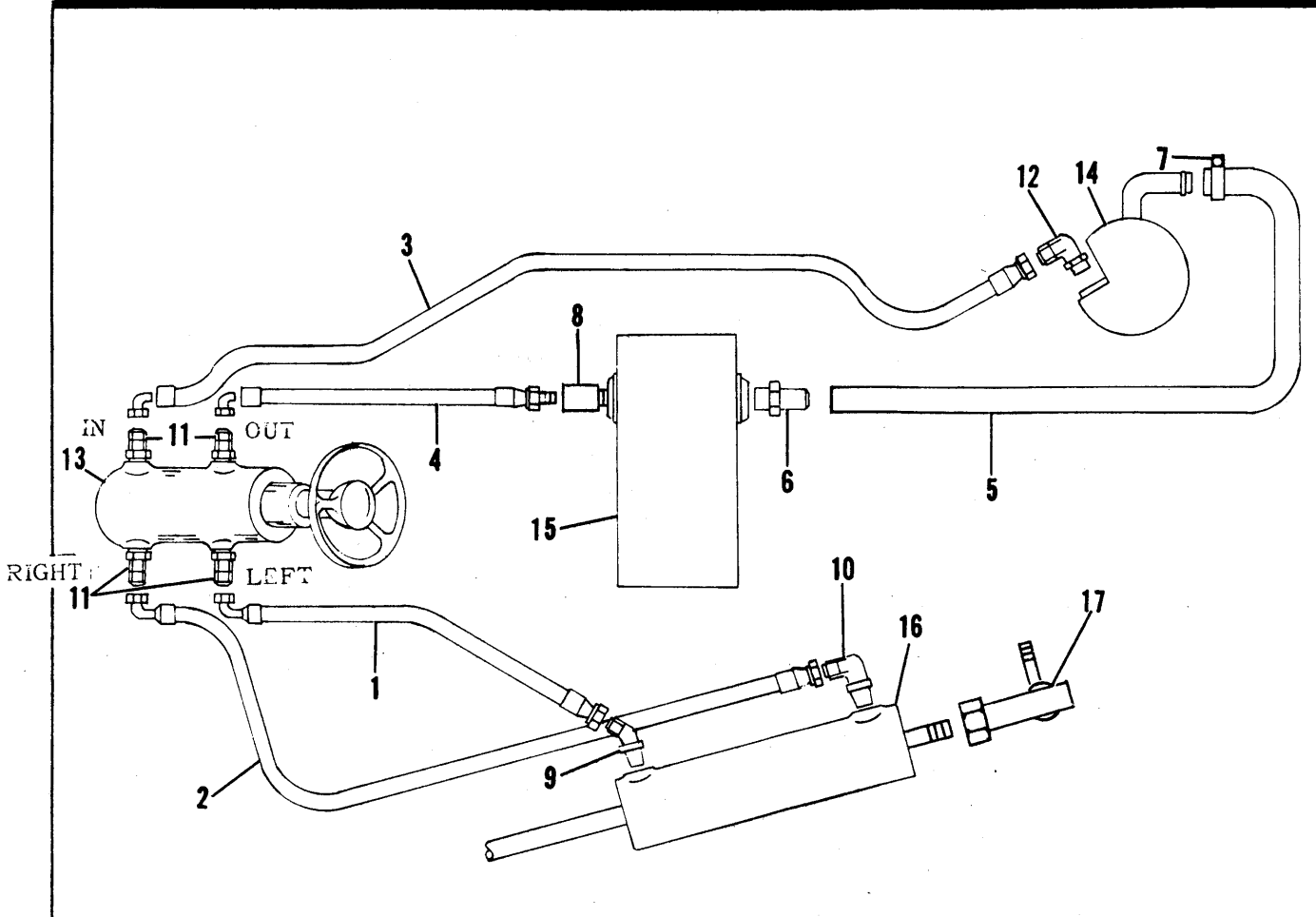
Used Previous to HX-202



Used Previous to HX202

VIBRATION AMPLITUDE INDICATOR

Item No.	Part Number	Description	No. Req'd.
1	502-4577-80	Bracket - Link	1
2	298-218-2	Rod End $\frac{5}{8}$ "	2
3	102-8522-1	Threaded Rod	1
4	502-4695-80	Mounting Frame	1
5	102-8520-1	Shaft	1
6	298-286-2	Ball Bearing	2
7	298-8521-34	Retaining Ring	2
8	502-2931-80	Core Stack - Stationary	1
9	502-2930-80	Core Stack - Oscillating	1
10	102-8521-1	Shim .005"	36
11	402-1728-2	Oscillating Frame	1
12	- - - - -	Cap Screw $\frac{1}{4}$ " x $1\frac{3}{4}$ " w/ Locknut	7
13	- - - - -	Cap Screw $\frac{1}{4}$ " x $\frac{3}{4}$ " w/	4
14	- - - - -	Cap Screw $\frac{5}{8}$ " x 2" w/C.W., Jam Nut	2
15	- - - - -	Cap Screw $\frac{5}{16}$ " x $1\frac{1}{4}$ " w/Lock Nut	3
16	298-6018-34	Roll Pin $\frac{3}{16}$ " x $1\frac{1}{2}$ "	1
17	102-8728-1	Transformer - Resonator	1
18	- - - - -	Cotter Pin $\frac{1}{8}$ " x $1\frac{1}{2}$ "	1
19	202073	Spacer	5
20	298-2034-71	Locknut $\frac{1}{4}$ "	11
21	298-2014-71	Locknut $\frac{5}{8}$ "	2
22	102-8521-2	Shim .050"	2
23	- - - - -	Jam Nut $\frac{5}{8}$ " S.A.E.	2



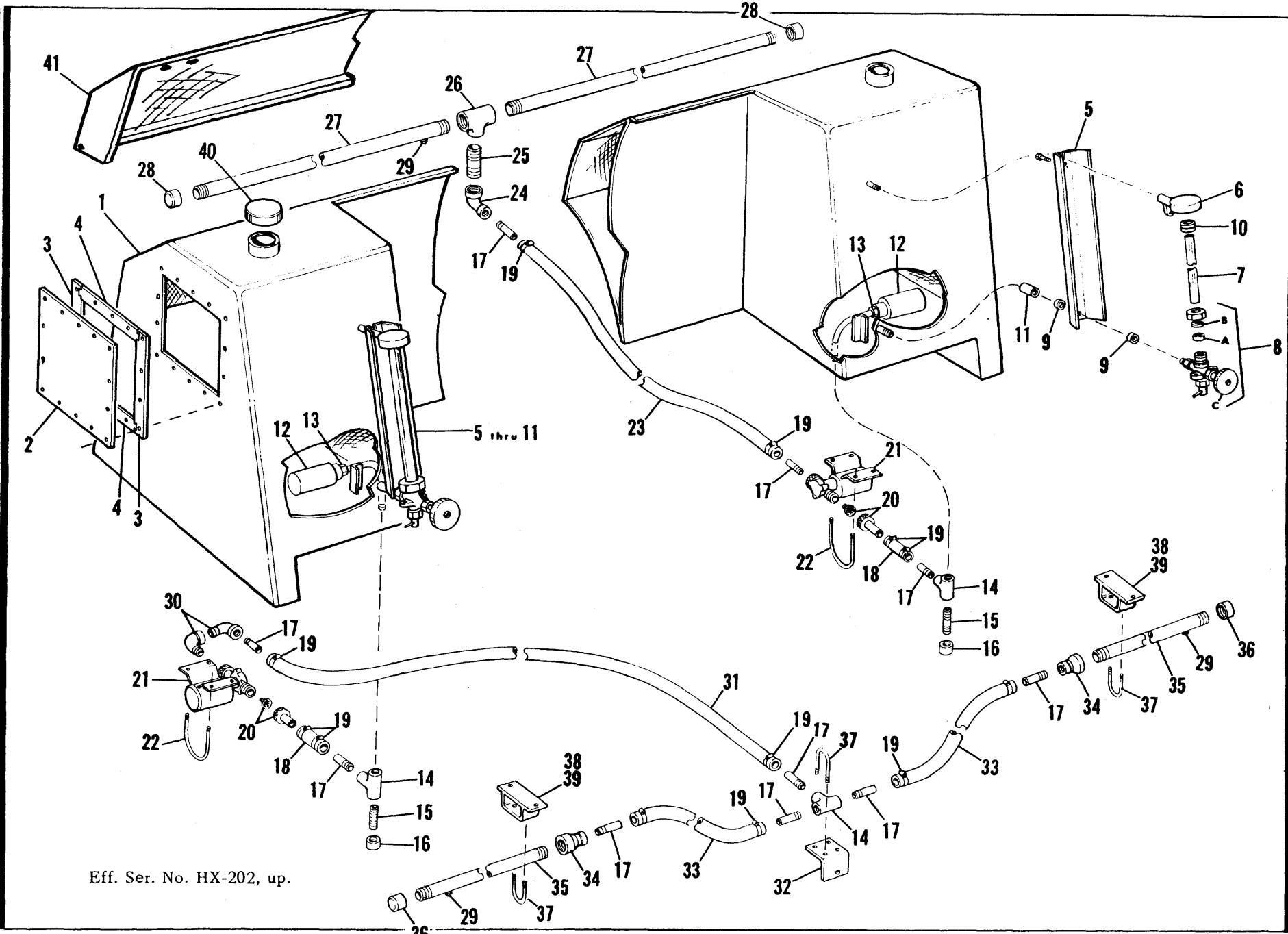
POWER STEERING HYDRAULIC SYSTEM
 REX Part No. 102-8077-1

Item No.	Part Number	Description	No. Req'd.
1	102-3701-1	Hose Assembly 1/2" x 75" lg.	1
2	102-3701-2	Hose Assembly 1/2" x 88 1/2" lg.	1
3	102-3701-3	Hose Assembly 1/2" x 130" lg.	1
4	102-3701-4	Hose Assembly 1/2" x 102" lg.	1
5	102-7033-5	Hose 1/4" I.D. x 24" lg.	1
6	298-8018-86	Hose Adaptor (1/2" MNPT)	1
7	298-9018-86	Hose Clamp	1
8	- - - - -	Pipe Coupling 1/2"	1
9	298-8112-86	Elbow 45° (1/2" MNPT - 3/4"-16 Str.)	1
10	298-2171-62	Elbow 90° (1/2" MNPT - 3/4"-16 Str.)	1
11	298-8110-86	Str. Adaptor (3/4"-16 "O" Ring - JIC)	4
12	298-8111-86	Elbow 90° (3/4"-16 "O" Ring - JIC)	1
13	102-8077-1	Orbitrol Steering Unit	1
14	*102-7949-1	Pump - Steering - (See separate illust.)	1
15	*502-6035-80	Hydraulic Tank (See separate illust.)	1
16	*102-3725-1	Hydraulic Cylinder - (See separate illust.)	1
17	102-7505-1	Ball Stud	2

102-30292-01

REX Specify Quantity, Part Number and Description When Ordering

REX CHAINBELTING
PRINTED IN U.S.A.



Eff. Ser. No. HX-202, up.

WATER SYSTEM FOR ASPHALT OPTION

CLICK HERE TO **DOWNLOAD** THE COMPLETE MANUAL

- Thank you very much for reading the preview of the manual.
- You can download the complete manual from: www.heydownloads.com by clicking the link below



- Please note: If there is no response to CLICKING the link, please download this PDF first and then click on it.

CLICK HERE TO **DOWNLOAD** THE COMPLETE MANUAL