

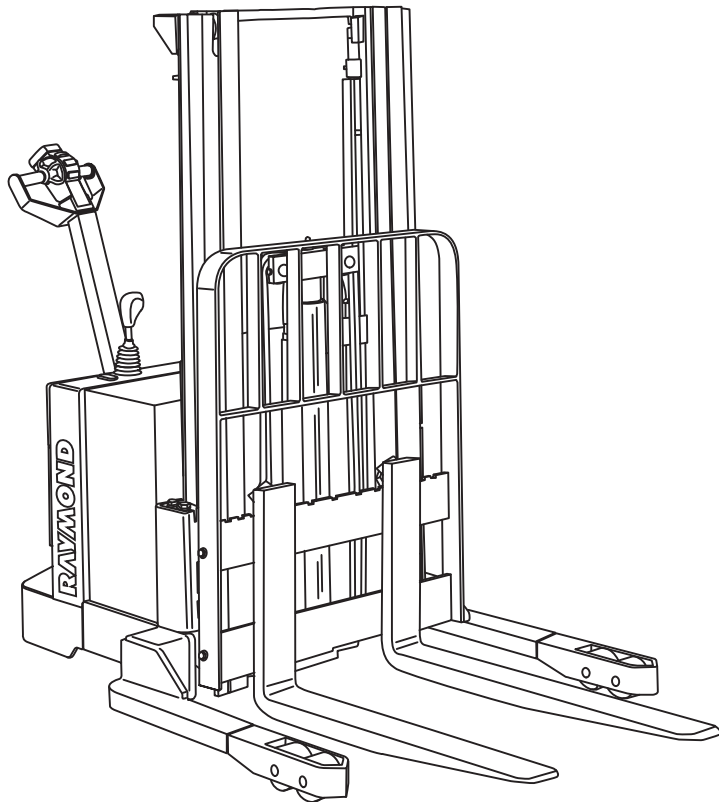
**RAYMOND**

---

# Parts Manual

---

**Models RSS22/30/40 Walkie Straddle Stacker**



---

**Model**  
**RSS22/30/40**

**Serial Number**  
**01000 and Up**

**Publication 1010406B**  
**Replaces**  
**Publication 1010406A**

**Revised: 26 Sept 2008**

**Issued: 27 Sept 2002**

---

CLICK HERE TO **DOWNLOAD** THE COMPLETE MANUAL

- Thank you very much for reading the preview of the manual.
- You can download the complete manual from: [www.heydownloads.com](http://www.heydownloads.com) by clicking the link below



- Please note: If there is no response to CLICKING the link, please download this PDF first and then click on it.

CLICK HERE TO **DOWNLOAD** THE COMPLETE MANUAL

## Recommended Spare Parts List

Description	Part No.	Qty.	Fig.	Description	Part No.	Qty.	Fig.
Bearing	1023400/001	1	6-15	O-Ring	202315	1	6-6
Bearing	1046873/001	1	6-13	O-Ring	305125-000	1	6-12
Bearing	1046873/001	1	6-16	O-Ring	305126-000	1	6-12
Bearing	1067704/001	1	6-14	O-Ring	306123-000	4	6-10
Bearing	11205-26	1	3-2	O-Ring	306123-000	4	6-9
Bearing	11205-27	2	4-2	O-Ring	311795-000	1	6-12
Bearing	11205-30	1	3-2	Pin, Split	1024557/07	2	7-9
Bearing	11523-04	2	7-4	Race, Inner	49993-07	2	7-3
Bearing	21089-01	4	7-1	Regulator, Flow	21037-04	1	6-4
Bearing	21089-01	4	7-6	Seal	11039-31	1	4-2
Bearing	21089-02	4	7-2	Seal	307628-000	1	5-10
Bearing	21089-02	4	7-7	Seal	41083-02	1	2-11
Bearing	21089-02	4	7-8	Seal	41083-17	2	2-11
Bearing	21089-02	8	7-3	Seal	41083-18	2	2-11
Bearing	25189-02	8	2-4	Seal	41083-19	2	2-11
Bearing	25189-02	8	2-5	Seal, Felt	27810-00	1	2-7
Bearing	307630-000	1	5-10	Seal, Felt, Large	301946-000	1	3-2
Bearing	441-127	8	7-10	Seal, Felt, Small	301946-001	1	3-2
Bearing, Ball	11030-21	2	4-2	Seal, Oil	202393	1	6-6
Bearing, Ball	49910-01	2	2-7	Shoe	300203-000	2	4-3
Bearing, Ball, Sealed	200309	1	5-9	Solenoid, Pump	22226-05	1	5-4
Bearing, Ball, Sealed	200310	1	5-9	Spring Set, Brush	200190	1	5-9
Bearing, Handle	301949-000	1	4-1	Spring	29635-00	1	6-14
Bearing, Roller	11205-29	1	2-7	Spring	29635-00	1	6-15
Bearing, Roller	49994-03	2	7-3	Spring	29635-00	1	6-16
Bearing, Roller	49994-03	2	7-5	Spring	300204-000	2	4-3
Bearing, Thrust	304349-000	1	2-7	Spring	301920-000	1	4-1
Boot	305862-000	1	6-7	Spring	304136-000	1	2-6
Boot	305862-000	1	6-8	Spring	306005-000	1	6-6
Bracket Assembly, Potentiometer	307644-000	1	3-4	Spring	306129-000	1	6-10
Brush Assembly	307634-000	2	5-10	Spring	306129-000	1	6-9
Brush Set	200188	1	5-9	Spring	306132-000	1	6-9
Bulb, Flashing	306369-000	1	8-2	Spring	306132-000	2	6-10
Bushing	11020-41	4	2-6	Spring	310365-000	1	3-1
Bushing	11695-05	2	4-1	Spring, Brush	307635-000	4	5-10
Bushing	301777-000	2	3-4	Spring, Load Check	306130-000	1	6-9
Bushing	307444-000	2	3-3	Spring, Load Check	306130-000	2	6-10
Bushing, Flanged	11695-06	2	6-7	Spring, Return	301917-000	6	3-4
Bushing, Flanged	11695-06	2	6-8	Spring, Return	46490	1	3-3
Bushing, Flanged	11695-12	2	3-1	Switch Assembly, Forward and Reverse			
Cap, Breather	305010-000	1	6-5		308518-000	1	3-4
Clip	300202-000	1	4-3	Switch	306097-000	1	6-11
Connector, SB-175, Gray Housing	49854-01	1	5-7	Switch, Brake Interlock (Sealed)	20323-00	1	5-1
Coupler	202324	1	6-6	Switch, Brake Interlock	20208-00	1	5-1
Filter Assembly	305123-000	1	6-12	Switch, Disconnect	305493-000	1	5-1
Filter	305124-000	1	6-12	Switch, Horn	302129-000	1	3-4
Filter	306060-000	1	6-6	Switch, Key	302016-000	1	5-1
Fuse, 300 Amp	25094-04	1	5-3	Switch, Lift	302130-000	1	3-4
Grip, Twist	301719-000	2	3-4	Switch, Lower	302130-001	1	3-4
Horn	23309-01	1	5-5	Switch, Toggle	14342-00	1	5-1
Kit, Cover Band, EE	305981-000	1	5-10	Tire, Poly	303624-001	1	4-4
Kit, Field Coil	307633-000	1	5-10	Tube, Flash (Strobe Light)	303305-000	1	8-2
Kit, Handset	950-185/002	1	8-7	Valve, 3-Way, 2-Position	305120-000	1	6-12
Kit, Knob	311115-00	2	7-11	Valve, Check	305117-000	2	6-12
Kit, Lead Assembly	307637-000	1	5-10	Valve, Flow Limiting	21037-03	1	6-2
Kit, Pin	308439-000	1	3-1	Valve, Flow Limiting	21037-05	1	6-3
Kit, Seal	1027170/001	1	6-16	Valve, Flow Limiting, 10 GPM	26907-01	2	6-4
Kit, Seal	1027170/001	1	6-13	Valve, Flow Limiting, 16 GPM	26907-00	1	6-4
Kit, Seal	1027170/001	1	6-14	Valve, Flow Limiting, 7.5 GPM	26907-02	1	6-4
Kit, Seal	305119-000	1	6-12	Valve, Normally Closed	305118-000	1	6-12
Kit, Seal	305121-000	1	6-12	Washer, Seal	11897-03	1	6-14
Kit, Seal	1026729/001	1	6-15	Washer, Seal	11897-03	1	6-15
Kit, Seal	851-200-587	1	7-9	Washer, Seal	11897-03	1	6-16
O-Ring	12391-10	1	6-15	Wheel	27808-00	1	2-7

*List 2-4: Battery Roller Assembly, 9 in. Battery*

FIGURE 2-4 ITEM NO.	QTY	PART NUMBER	DESCRIPTION	USED ON
1	1	305042-002	Frame, Battery Roller	
2	4	25204-13	Roller, Battery	
3	8	25189-02	Bearing	R
4	2	306595-000	Door, Battery	
5	4	25203-12	Shaft, Roller	

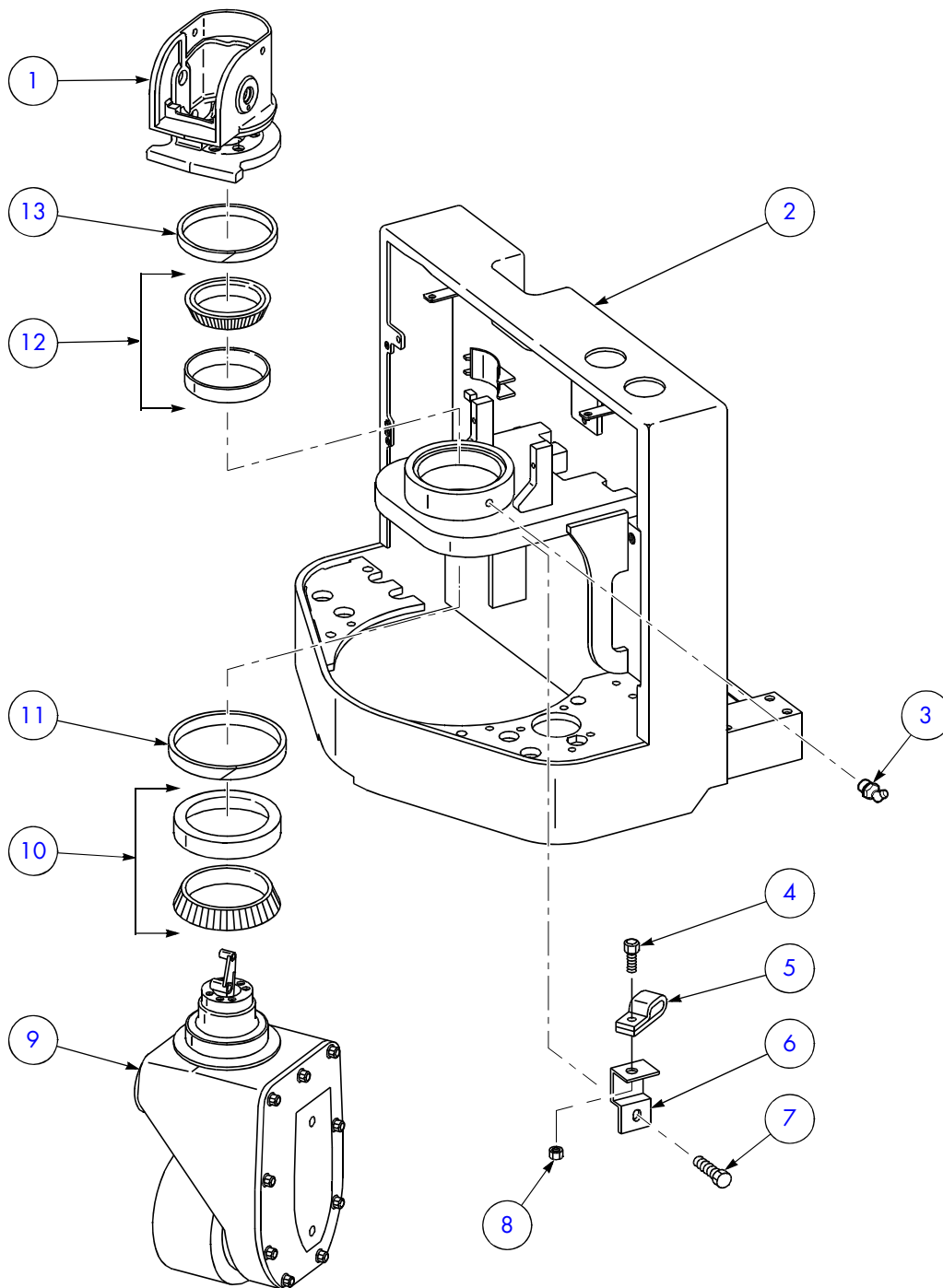
R= Recommended Spare

*List 2-9: Battery Compartment Parts*

FIGURE 2-9 ITEM NO.	QTY	PART NUMBER	DESCRIPTION	USED ON
1	1	302891-000	Decal, Warning	
2	1	49456-00	Latch	
3	1	310849-000	Cover, Top	
4	12	49922-05	Screw	
5	1	310865-000	Liner, Top	
6	12	49457-01	Nut, Tee	
7	1	310848-000	Enclosure	
8	2	310866-000	Liner, Side	
9	2	301960-006	Nut	
10	2	301952-035	Screw	
11	1	Ref.	Connector Assembly ( <a href="#">See Figure 5-7.</a> )	

### Radial Bearing Installation

Figure 3-2: Radial Bearing Installation



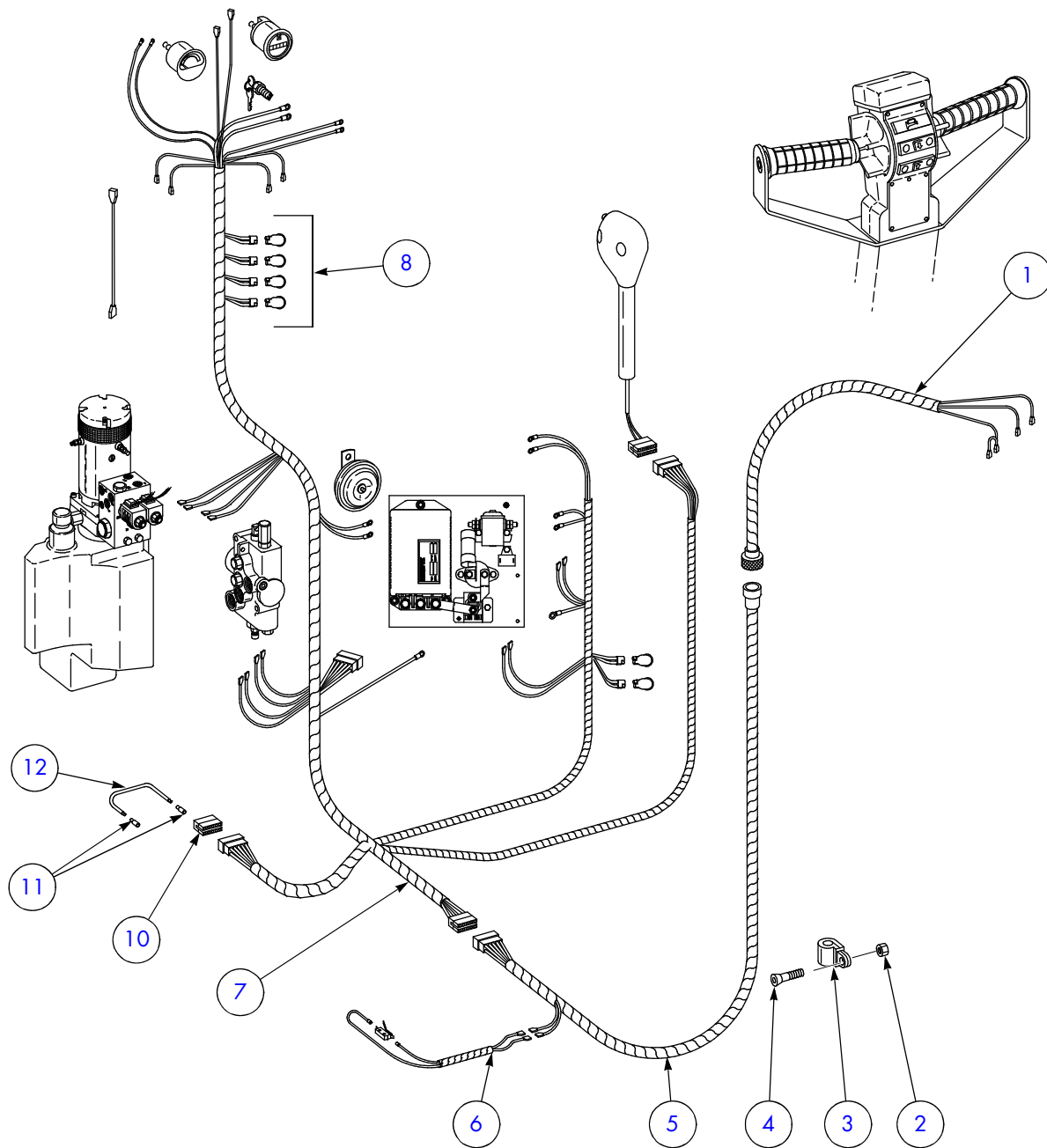
313235\_B2

List 4-1: Transmission, Motor and Brake Assembly

FIGURE 4-1 ITEM NO.	QTY	PART NUMBER	DESCRIPTION	USED ON
1	1	11844-02	Key	
2	1	23019-00	Drum, Brake	
3	1	301960-006	Nut	
4	1	301944-000	Yoke Assembly	
5	1	301954-060	Screw, Socket Head, Locking	
6	1	301860-000	Anchor, Spring	
7	1	301951-016	Screw, Cap	
8	1	301949-000	Bearing, Handle	R
9	2	11695-05	Bushing	R
10	4	303009-025	Screw, Socket Head	
11	1	Ref.	Transmission Assembly (See Figure 4-2.)	
12	1	Ref.	Motor Assembly, Drive (See Figure 5-10.)	
13	1	Ref.	Brake Assembly (See Figure 4-3.)	
14	1	301945-006	Retainer	
15	1	301754-000	Linkage, Brake	
16	1	305985-000	Rod, Push	
17	2	301954-025	Screw, Socket Head, Locking	
18	1	301920-000	Spring	R
19	1	301654-012	Nut, Flanged	
20	1	20375	Washer	

R= Recommended Spare

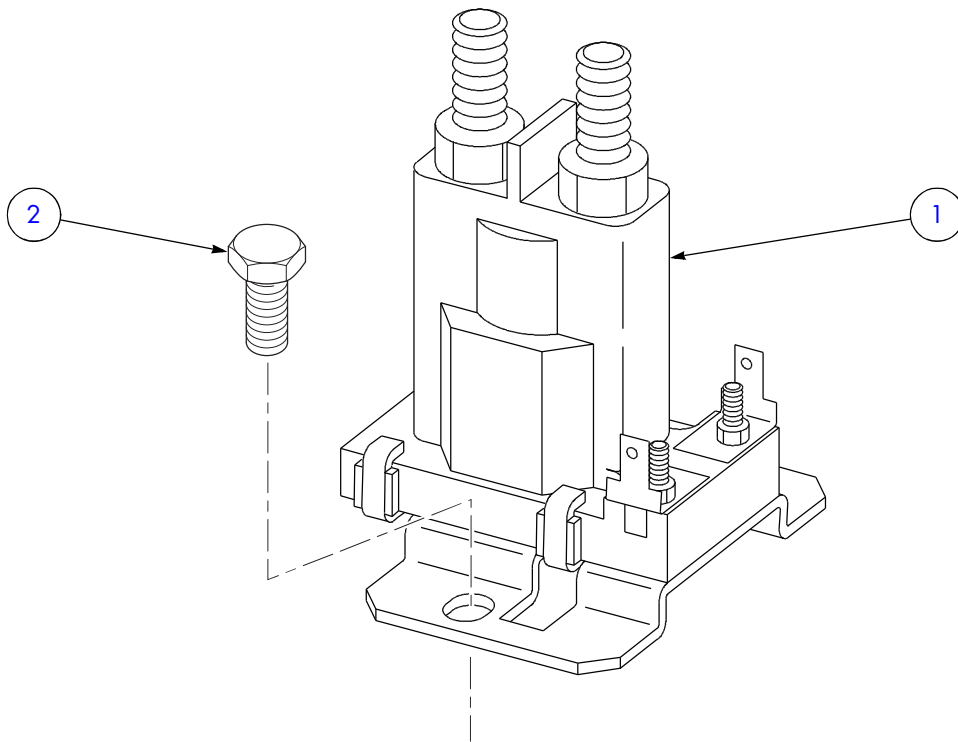
**Control Wiring, Harnesses and Cables**  
*Figure 5-2: Control Wiring, Harnesses and Cables*



5390\_001

## Contactor

Figure 5-6: Contactor



CLICK HERE TO **DOWNLOAD** THE COMPLETE MANUAL

- Thank you very much for reading the preview of the manual.
- You can download the complete manual from: [www.heydownloads.com](http://www.heydownloads.com) by clicking the link below



- Please note: If there is no response to CLICKING the link, please download this PDF first and then click on it.

CLICK HERE TO **DOWNLOAD** THE COMPLETE MANUAL

## SECTION 6 Hydraulic Components

Hydraulic Lines .....	6-3
Lift Cylinder Supply Lines, Two Stage, Models RSS22/30 .....	6-6
Lift Cylinder Supply Lines, Two Stage, Model RSS40 .....	6-8
Lift Cylinder Supply Lines, Three Stage .....	6-10
Hydraulic Power Unit .....	6-12
Pump and Motor Assembly .....	6-14
Control Valve Assembly, One Spool .....	6-16
Control Valve Assembly, Two Spool .....	6-18
Control Valve, One Spool .....	6-20
Control Valve, Two Spool .....	6-22
Control Valve Switch .....	6-24
Hydraulic Power Unit Manifold .....	6-26
Lift Cylinder, Two Stage, Models RSS22/30 .....	6-28
Lift Cylinder, Two Stage, Model RSS40 .....	6-30
Staging Cylinder, Three Stage .....	6-32
Free Lift Cylinder, Three Stage .....	6-34
Sideshift Plumbing, Two Stage .....	6-36
Sideshift Plumbing, Three Stage .....	6-38

List 6-4: Lift Cylinder Supply Lines, Three Stage

FIGURE 6-4 ITEM NO.	QTY	PART NUMBER	DESCRIPTION	USED ON
1	2	26907-01	Valve, Flow Limiting, 10 GPM	R
2	1	49641-54	Hose Assembly, 71/150 in. Mast	
	1	49641-55	Hose Assembly, 83/180 in. Mast	
	1	49641-56	Hose Assembly, 87/189 in. Mast	
3	1	49634-02	Fitting, 90 Degree, Bulkhead	
4	1	49516-49	Hose Assembly	
5	1	26907-00	Valve, Flow Limiting, 16 GPM	R
6	1	Ref.	Cylinder Assembly, Free Lift (See Figure 6-16.)	
7	1	Ref.	Cylinder Assembly, Staging (See Figure 6-15.)	
8	1	49624-02	Nut	
9	1	26907-02	Valve, Flow Limiting, 7.5 GPM	R
10	2	49649-02	Fitting, Reducer	
11	2	49517-29	Hose	
14	1	49651-01	Tee	
15	1	21037-04	Regulator, Flow	R
16	3	49653-01	Fitting, 90 Degree	
17	1	49517-19	Hose Assembly	
18	1	Ref.	Cylinder Assembly, Staging (See Figure 6-15.)	

R= Recommended Spare

List 6-9: Control Valve, One Spool

FIGURE 6-9 ITEM NO.	QTY	PART NUMBER	DESCRIPTION	USED ON
	1	305937-000	Valve Assembly, Control, One Spool	
2	4	306133-000	Plug Assembly	
3	4	306123-000	O-Ring	R
4	1	306137-000	Spool, "T"	
5	1	306140-000	Cap, Relief	
6	2	306127-000	Gasket	
7	1	306139-000	Nut, Jam	
8	1	306126-000	Screw, Adjustment	
9	1	306129-000	Spring	R
10	1	306128-000	Retainer, Ball	
11	1	306120-000	Ball	
12	1	306125-000	Seat, Valve	
13	1	306141-000	Plug	
14	2	306142-000	Washer, Lock and Screw	
15	1	306135-000	Cap, End	
16	1	306143-000	Detent, Spool	
17	1	306131-000	Spacer	
18	1	306132-000	Spring	R
19	2	306136-000	Washer	
20	1	NSS	Body	
21	1	306134-000	Poppet	
22	1	306130-000	Spring, Load Check	R

R= Recommended Spare  
 NSS= Not Sold Separately

List 6-14: Lift Cylinder, Two Stage, Model RSS40

FIGURE 6-14 ITEM NO.	QTY	PART NUMBER	DESCRIPTION	USED ON
	1	1047294/001	Cylinder Assembly	A
	1	1047294/002	Cylinder Assembly	B
	1	1047294/007	Cylinder Assembly	C
	1	1047294/003	Cylinder Assembly	D
	1	1047294/004	Cylinder Assembly, Cold Storage	A
	1	1047294/005	Cylinder Assembly, Cold Storage	B
	1	1047294/008	Cylinder Assembly, Cold Storage	C
	1	1047294/006	Cylinder Assembly, Cold Storage	D
1	1	11897-03	Washer, Seal	R
2	1	49548-00	Screw	
3	1	305089-000	Tube, Cylinder	A
	1	305089-001	Tube, Cylinder	B
	1	305089-003	Tube, Cylinder	C
	1	305089-002	Tube, Cylinder	D
4	1	11827-20	Ring, Retainer	
5	1	304106-000	Plunger Assembly	
6	1	29635-00	Spring	R
7	1	NSS	Ring, Guide	E
8	2	304112-000	Piston	
9	1	23075-02	Ring, Retainer	
10	1	305090-000	Rod, Cylinder	A
	1	305090-001	Rod, Cylinder	B
	1	305090-004	Rod, Cylinder	C
	1	305090-002	Rod, Cylinder	D
11	1	NSS	O-Ring	E
12	1	NSS	Ring, Backup	E
13	1	1067704/001	Bearing	R
14	1	NSS	Ring, Guide	E
15	1	NSS	Seal	E
16	1	NSS	Wiper	E
17	1	1027170/001	Kit, Seal (Not Shown)	R

A= 71/100 in. Mast

B= 83/124 in. Mast

C= 85/128 in. Mast

D= 95/150 in. Mast

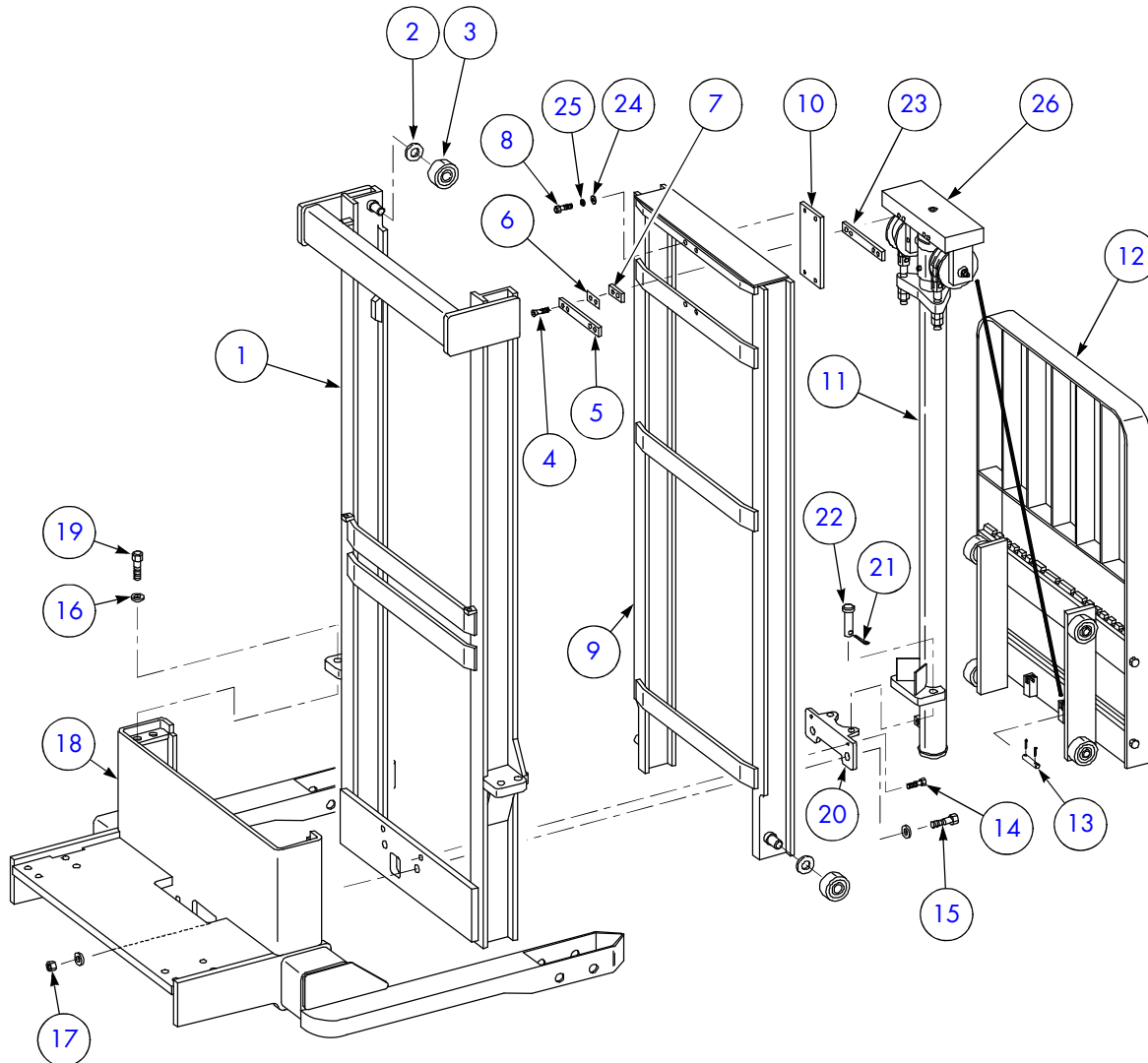
E= Included In Item 17

R= Recommended Spare

NSS= Not Sold Separately

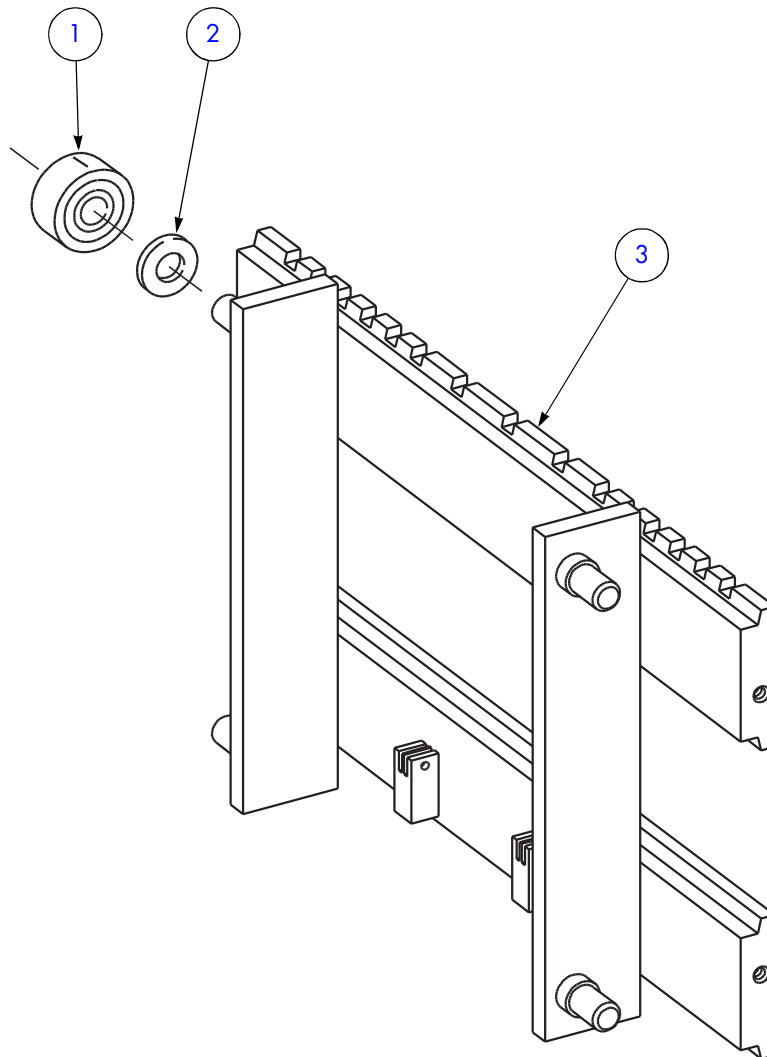
### Elevating Section, Two Stage, Model RSS22/30

Figure 7-1: Elevating Section, Two Stage, Model RSS22/30



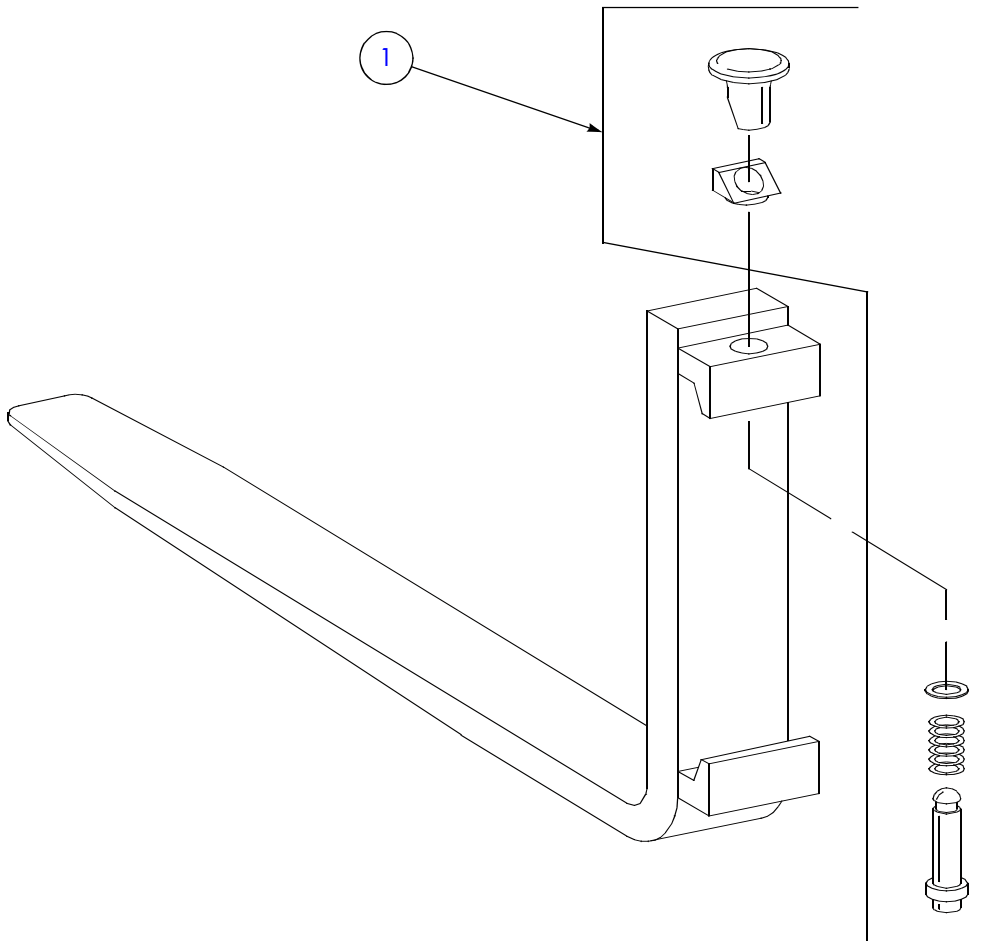
7110\_000

**Carriage Assembly, Models RSS22/30**  
*Figure 7-6: Carriage Assembly, Models RSS22/30*



### Fork Assembly

Figure 7-11: Fork Assembly



*List 8-4: Pallet Centering Device*

FIGURE 8-4 ITEM NO.	QTY	PART NUMBER	DESCRIPTION	USED ON
1	3	301957-035	Screw	
2	1	306396-000	Device, Pallet Centering	

# Walkie Straddle Stacker - Models RSS22/30/40 - Alphabetical Parts Index

Description	Part No.	Page	Description	Part No.	Page
Cable, Positive	305976-000	5-7	Connector, SB-175, Gray Housing	49854-01	5-17
Cam	109631	3-7	Connector, SB-175, Red Housing	49854-04	5-17
Cam	300199-000	4-7	Connector, SB-175, Yellow Housing	49854-03	5-17
Cap	1024557/02	7-19	Console	301844-000	2-7
Cap, Breather	305010-000	6-13	Contact, Pin	306186-000	8-5
Cap, End	306135-000	6-21	Contact, Socket	49771-00	8-5
Cap, End	306135-000	6-23	Contact, EE	304297-001	5-15
Cap, Fitting	49635-00	6-37	Contact, Line	23452-01	5-15
Cap, Fitting	49635-00	6-39	Control, Thumb	301718-000	3-7
Cap, Hub	27809-00	2-15	Controller and Pump Solenoid	305883	5-11
Cap, Relief	201489	6-15	Controller, System, 200 Amp	305878-000	5-11
Cap, Relief	306140-000	6-21	Coupler	202324	6-15
Cap, Relief	306140-000	6-23	Cover	301723-000	3-11
Carriage Assembly, RSS20/30	305195	7-13	Cover	306001-000	6-15
Carriage Assembly, RSS40	305195	7-15	Cover, Gear Case	301581-000	4-5
Carriage Assembly, Three Stage	305195	7-17	Cover, Top	310849-000	2-19
Carriage Weldment with Pallet Centering Holes	304448-001	7-17	Cushion	305632-000	2-5
Carriage Weldment with Pallet Centering Holes	305415-001	7-13	Cushion	305633-000	2-5
Carriage Weldment with Pallet Centering Holes	305477-001	7-15	Cylinder Assembly (1 Port)	314127-002	6-33
Carriage Weldment	304448-000	7-17	Cylinder Assembly (1 Port)	314127-004	6-33
Carriage Weldment	305415-000	7-13	Cylinder Assembly (1 Port)	314127-006	6-33
Carriage Weldment	305477-000	7-15	Cylinder Assembly (1 Port), Cold Storage	314135-002	6-33
Case, Gear	301580-001	4-5	Cylinder Assembly (1 Port), Cold Storage	314135-004	6-33
Caster Assembly	304583-000	2-15	Cylinder Assembly (1 Port), Cold Storage	314135-006	6-33
Chain, Free Lift	14835-83	7-7	Cylinder Assembly (2 Ports)	314127-001	6-33
Chain, Free Lift	14835-84	7-7	Cylinder Assembly (2 Ports)	314127-003	6-33
Chain, Free Lift	14835-85	7-7	Cylinder Assembly (2 Ports)	314127-005	6-33
Chain, Lift	14835-11	7-5	Cylinder Assembly (2 Ports), Cold Storage	314135-001	6-33
Chain, Lift	14835-11	7-9	Cylinder Assembly (2 Ports), Cold Storage	314135-003	6-33
Chain, Lift	14835-28	7-5	Cylinder Assembly (2 Ports), Cold Storage	314135-005	6-33
Chain, Lift	14835-28	7-9	Cylinder Assembly	1046949/001	6-35
Chain, Lift	14835-38	7-5	Cylinder Assembly	1046949/002	6-35
Chain, Lift	14835-38	7-9	Cylinder Assembly	1046949/003	6-35
Chain, Staging Lift	14835-08	7-7	Cylinder Assembly	1047294/001	6-31
Chain, Staging Lift	14835-10	7-7	Cylinder Assembly	1047294/002	6-31
Chain, Staging Lift	14835-70	7-7	Cylinder Assembly	1047294/003	6-31
Channel	41084-21	2-25	Cylinder Assembly	1047294/007	6-31
Channel	41084-22	2-25	Cylinder Assembly	308014-000	6-29
Channel	41084-05	2-25	Cylinder Assembly	308014-001	6-29
Channel	41084-20	2-25	Cylinder Assembly	308014-002	6-29
Clamp	15677-02	6-37	Cylinder Assembly, 4 in.	1024557/12	7-19
Clamp	15677-02	6-39	Cylinder Assembly, 6 in.	314204-000	7-19
Clamp	15677-07	8-5	Cylinder Assembly, Cold Storage	1046949/004	6-35
Clamp	15677-10	3-3	Cylinder Assembly, Cold Storage	1046949/005	6-35
Clamp	15677-10	5-5	Cylinder Assembly, Cold Storage	1046949/006	6-35
Clamp	21112-00	7-3	Cylinder Assembly, Cold Storage	1047294/004	6-31
Clamp	305009-000	2-5	Cylinder Assembly, Cold Storage	1047294/005	6-31
Clamp	305009-000	6-13	Cylinder Assembly, Cold Storage	1047294/006	6-31
Clamp	306012-000	6-15	Cylinder Assembly, Cold Storage	1047294/008	6-31
Clamp	306062-000	6-15	Cylinder Assembly, Cold Storage	308014-003	6-29
Clamp	49709-10	3-5	Cylinder Assembly, Cold Storage	308014-004	6-29
Clamp, Cable	302080-000	3-11	Cylinder Assembly, Cold Storage	308014-005	6-29
Clip	300202-000	4-7	Decal, 24 Volt	306844-000	2-23
Clip, E	13281-02	3-3	Decal, 300 Amp	29410-00	2-17
Coil Package, Field	306018-000	5-21	Decal, Auxiliary	306418-003	2-23
Coil	305122-000	6-27			
Connector, Plug, Auxiliary Handle	306215-001	5-5			
Connector, SB-175, Blue Housing	49854-08	5-17			

CLICK HERE TO **DOWNLOAD** THE COMPLETE MANUAL

- Thank you very much for reading the preview of the manual.
- You can download the complete manual from: [www.heydownloads.com](http://www.heydownloads.com) by clicking the link below



- Please note: If there is no response to CLICKING the link, please download this PDF first and then click on it.

CLICK HERE TO **DOWNLOAD** THE COMPLETE MANUAL