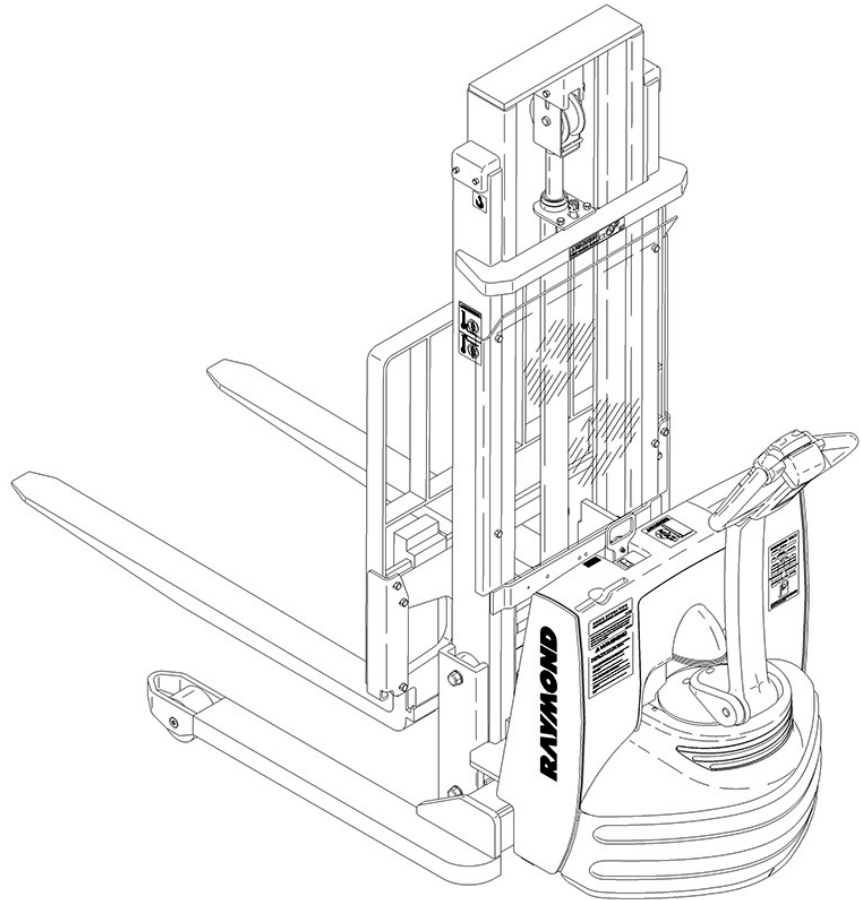


RAYMOND

Parts Manual

**Models RAS20/25 - Walkie Straddle Adjustable
Baseleg Stacker**



**Model
RAS**

**Serial Number
2001 & up**

1055923

Jul 30, 2014

CLICK HERE TO **DOWNLOAD** THE COMPLETE MANUAL

- Thank you very much for reading the preview of the manual.
- You can download the complete manual from: www.heydownloads.com by clicking the link below



- Please note: If there is no response to CLICKING the link, please download this PDF first and then click on it.

CLICK HERE TO **DOWNLOAD** THE COMPLETE MANUAL

Models RAS20/25 - Walkie Straddle Adjustable Baseleg Stacker - General Information

Recommended

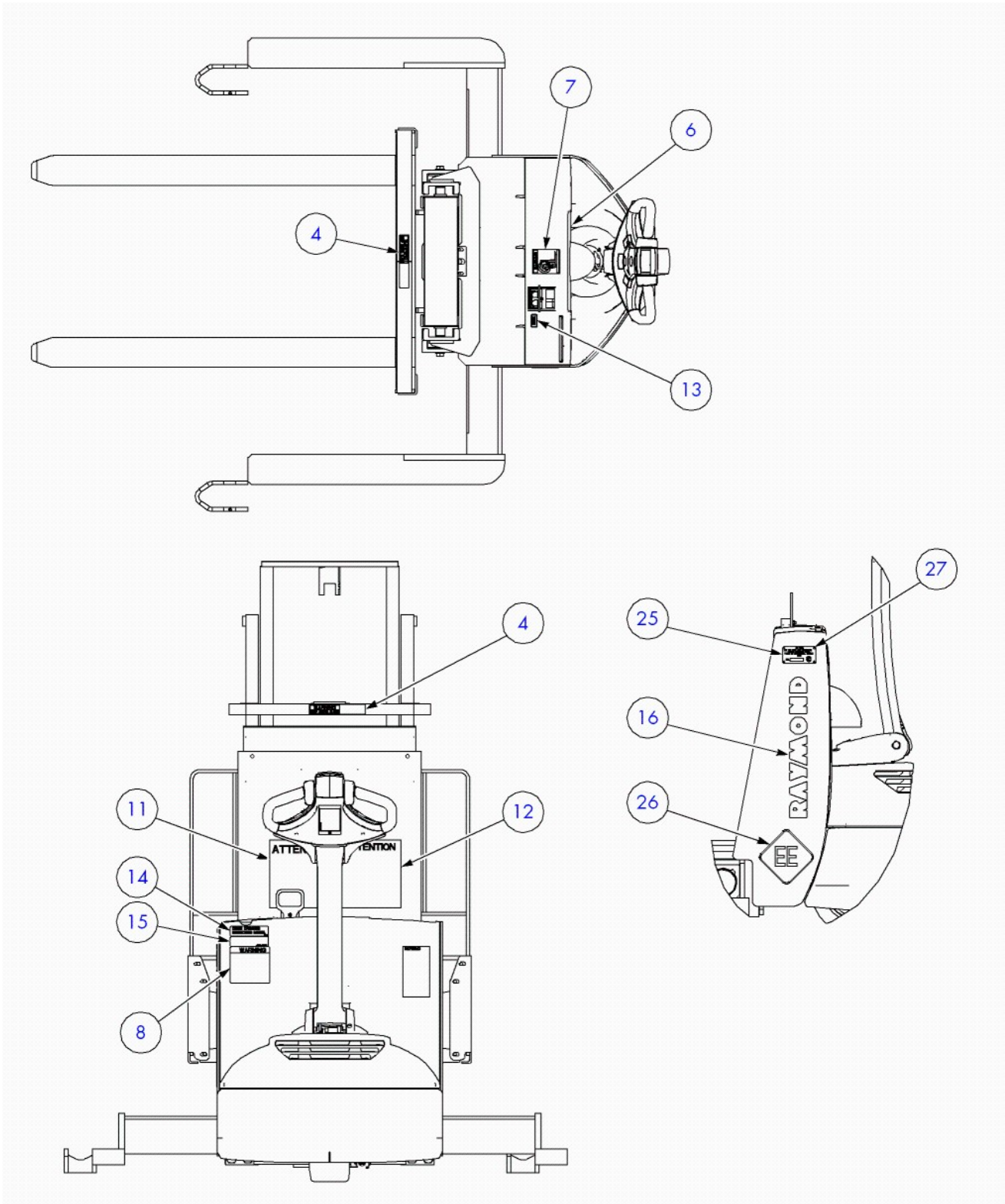
List 1-R: Recommended (Sheet 2 of 2)

SERVICE TYPE	PART NUMBER	DESCRIPTION	SERVICE GROUP	ITEM NO.	QTY
R	313736-000	Seal	401	3	1
R	313756-000	Seal	507	13	1
R	312855-001	Spring	302	12	1
R	313764-000	Spring	507	22	4
R	1036742	Spring, Compression	304	15	1
R	308030-000	Switch	508	7	2
R	171655	Switch, Horn	304	6	2
R	302016-000	Switch, Key (Optional)	508	2	1
R	305493-000	Switch, Master On/Off	508	1	1
R	850-138-139/27	Switch, Push Button, Red	512	15	1
R	1040406/001	Switch, Rocker	508	1	1
R	632-090/018	Tire, Drive (Black Poly)	403	2	1
R	632-089/004	Tire, Drive (Black Poly, Crowned)	403		1
R	630-235/001	Tire, Drive (Smooth Black Rubber)	403		1
R	632-090/001	Tire, Poly, Red/Orange, 10 x 5 x 6.50 in.	403		1
R	314458-000	Valve, 2-Position, 2-Way	604	41	1
R	300132-000	Valve, Check	604	39	1
R	24154	Valve, Flow Control	605	3	1
R	25150	Valve, Flow Limit	607A		1
R	314457-000	Valve, Proportional Flow Control	604	44	1
R	309882-X01	Wheel, Load	706	7	2
R	42136-00	Wheel, Load	706		2

Service Type R = Recommended Spare

Finish Instructions

Figure 2-5.b: Finish Instructions



Control Arm Assembly

List 3-3: Control Arm Assembly

FIGURE 3-3 ITEM NO.	QTY	PART NUMBER	DESCRIPTION	SERVICE TYPE	USED ON
			Control Arm Assembly		
1	4	21976	Screw	H	
2	2	171705	Screw	H	
3	2	171706	Screw	H	
4	1	171709	Screw	H	
5	1	1050074/002	Handle Assembly	C	
6	1	1066425/001	Stem, Handle		
7	1	171659BT	Cover, Hood		
8	1	313436-000	Harness, Stem, Handle		
9	1	313632-000	Plate, Backing, Upper		
10	1	313633-000	Plate, Lower		
11	1	313634-000	Relief, Strain		
12	1	171660	Pad, Key	R	
	2	171659	Cover (Keyswitch Option) (Optional)		
13	1	1064423/001	Head Assembly, Control		
14	1	313052-000	Handle		

Service Type R = Recommended Spare

Service Type C = Critical Part

Service Type H = Hardware

Drive Wheel Assembly

List 4-3: Drive Wheel Assembly

FIGURE 4-3 ITEM NO.	QTY	PART NUMBER	DESCRIPTION	SERVICE TYPE	USED ON
			Drive Wheel Assembly		
1	1	313054-001	Wheel Assembly, Drive (Smooth Black Rubber)		A
	1	313054-002	Wheel Assembly, Drive (Black Poly)		C
	1	313054-003	Wheel Assembly, Drive (Red Poly)		B
	1	313054-004	Wheel Assembly, Drive (Crowned Vulkollan)		D
	1	313054-005	Wheel Assembly, Drive (Non-marking Rubber)		E
	1	313054-006	Wheel Assembly, Drive (Traction Rubber)		F
	1	313054-007	Wheel Assembly, Drive (Lugged)		G
2	1	630-235/001	Tire, Drive (Smooth Black Rubber)	R	A
	1	632-090/001	Tire, Poly, Red/Orange, 10 x 5 x 6.50 in.	R	B
	1	632-090/018	Tire, Drive (Black Poly)	R	C
	1	632-089/004	Tire, Drive (Black Poly, Crowned)	R	D
	1	632-089/003	Tire		C
	1	630-235/002	Tire, Drive (Non-marking Rubber)		E
	1	630-235/201	Tire, Drive (Traction Rubber)		F
	1	630-235/003	Tire, Drive (Lugged)		G
3	1	312895-000	Hub		
4	1	313046-000	Nut, Lug	H	

A = Rubber, Smooth

B = Poly, Red

C = Poly, Black

D = Poly, Crowned Black

E = Rubber, Non-Marking

F = Rubber, Traction

G = Rubber, Grip

Service Type R = Recommended Spare

Service Type H = Hardware

Static Strap Installation

List 5-4: Static Strap Installation

FIGURE 5-4 ITEM NO.	QTY	PART NUMBER	DESCRIPTION	SERVICE TYPE	USED ON
			Static Strap Installation		
1		Ref.	Drive Unit Assembly (See 401)		
2	1	301654-010	Nut, Flanged	H	
3	1	21159	Screw, Cap	H	
4	1	314128-001	Bracket, Angle		
5	1	306241-004	Strap, Static		
6	1	22337	Screw	H	
7	1	301654-008	Nut, Flange, Locking	H	

Service Type H = Hardware

CLICK HERE TO **DOWNLOAD** THE COMPLETE MANUAL

- Thank you very much for reading the preview of the manual.
- You can download the complete manual from: www.heydownloads.com by clicking the link below



- Please note: If there is no response to CLICKING the link, please download this PDF first and then click on it.

CLICK HERE TO **DOWNLOAD** THE COMPLETE MANUAL

Swing Out Battery Pack Assembly

List 5-9: Swing Out Battery Pack Assembly (Sheet 1 of 2)

FIGURE 5-9 ITEM NO.	QTY	PART NUMBER	DESCRIPTION	SERVICE TYPE	USED ON
			Swing Out Battery Pack Assembly		
		1058151/002	Swing Out Battery Pack Assembly (W/Cover Bracket and Screw)		
		313823-002	Battery Pack Assembly		
1	1	313823-002	Battery Pack Assembly		
2	1	313885-001	Decal, Battery Voltage		
3	1	313799-001	Charger, Battery		
	1	302329-000	Wire, AC Plug		
	1	302314-000	Ammeter		
	1	302316-000	Capacitor, 4MFD		
	2	302315-000	Strap, Capacitor		
	1	313198-000	Control Card (ET80 24V DC)	C	
	1	313199-000	Plug Assembly, Battery Connector		
	2	302319-000	Diode		
	1	313200-000	Holder, Fuse (80 Amp)		
	1	313201-000	Fuse	R	
	1	313202-000	Fuse	R	
	1	313203-000	Grommet, Rubber		
	1	302320-000	Holder, Fuse		
	1	313204-000	Rectifier		
	1	302324-000	Relief, Strain		
	1	313205-000	Tie, Cable		
	1	302328-000	Transformer		
4	1	313889-001	Decal, Warning		
5	2	302244-016	Screw	H	
6		Ref.	Swing Out Battery Pack Power Cables (See 510)		
7	1	313824-001	Cover, Battery Pack		
8	8	301826-016	Screw, Hex Head, Thread Forming	H	
9	1	49443-00	Decal, Warning	R	
10	1	313833-001	Tray Weldment, Battery, Upper Left-Hand		
11	2	301826-016	Screw, Hex Head, Thread Forming	H	
12	4	11813-07	Grommet, Rubber		
13	4	301826-016	Screw, Hex Head, Thread Forming	H	
14	1	313825-001	Support Weldment, Battery		
15	2	14851-04	Nut, Clip	H	
16	1	302811-020	Screw	H	
17	1	14851-05	Nut, Clip		

Service Type R = Recommended Spare

Service Type C = Critical Part

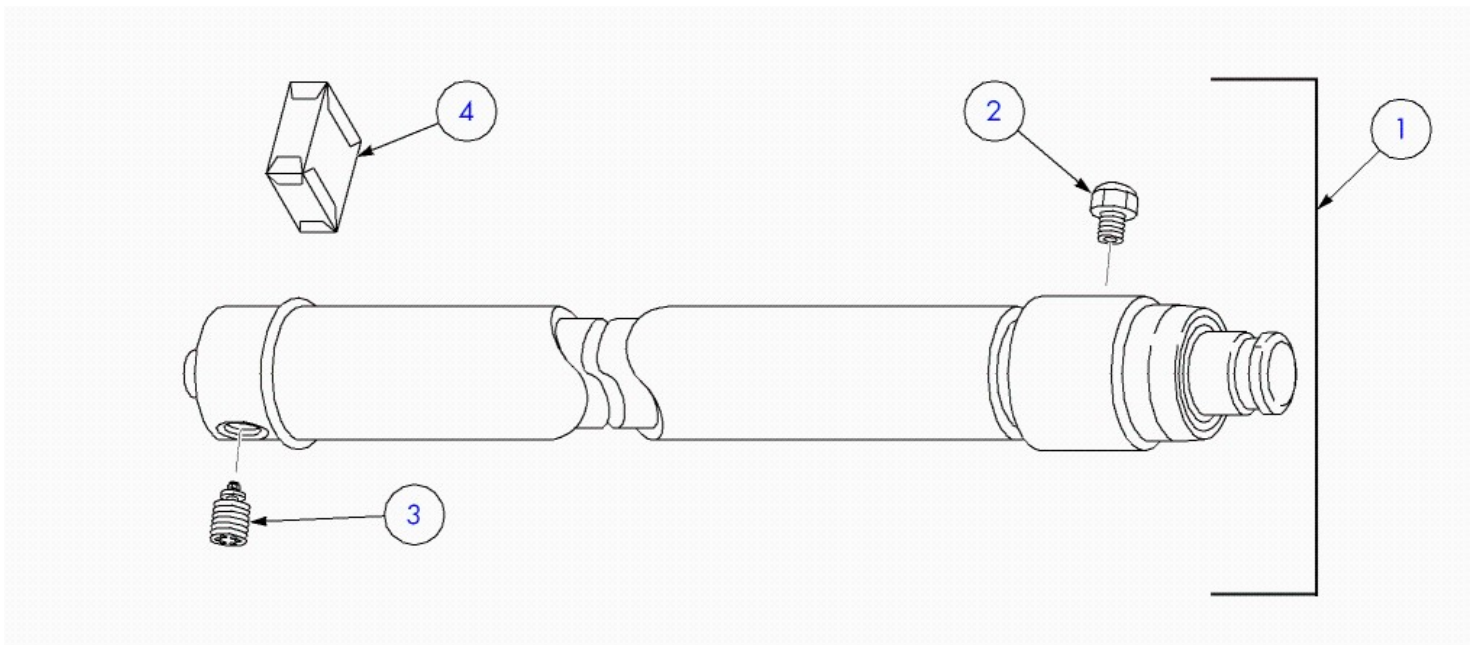
Service Type H = Hardware

SECTION 6 Hydraulic Components

Lift Hose Installation	6-2
Lift Cylinder Piping, STF	6-4
Hydraulic Power Unit	6-6
Pump and Motor Assembly	6-8
Lift Cylinder Assembly, STN Mast (Standard)	6-11
Lift Cylinder Assembly, STN Mast (Non-Standard)	6-13
Lift Cylinder Assembly, SSM Mast	6-15
Lift Cylinder Assembly, STF Mast (Standard)	6-17
Lift Cylinder Assembly, STF Mast (Non-Standard)	6-19

Lift Cylinder Assembly, STN Mast (Standard)

Figure 6-5: Lift Cylinder Assembly, STN Mast (Standard)

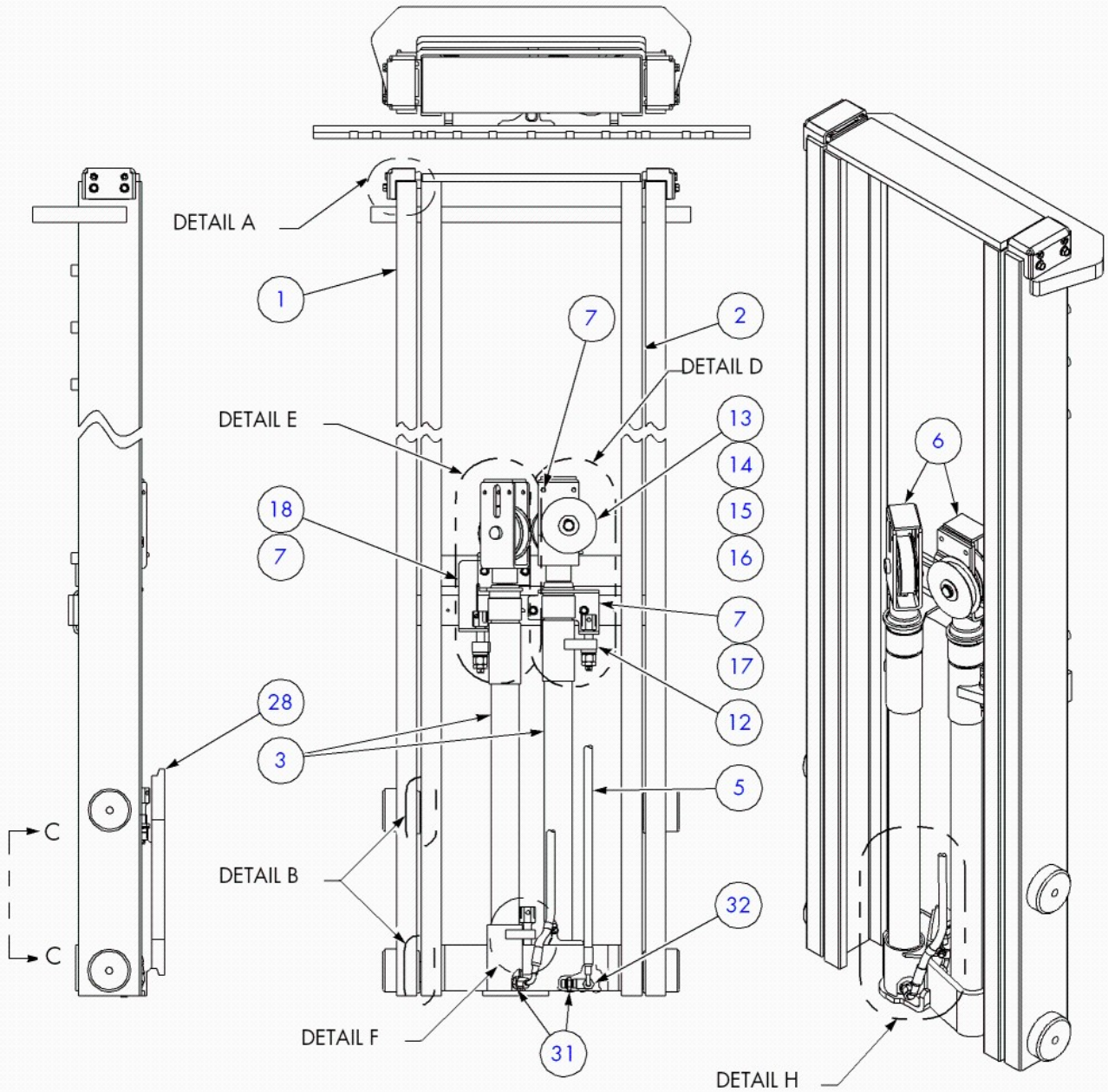


SECTION 7 Mast

Mast Installation	7-2
Elevating Section, SSM	7-4
Elevating Section, S25TN	7-7
Elevating Section, STF	7-11
Outrigger Installation	7-15
Load Wheel Installation	7-17
Fork Assembly, 1.5 in. thick (38.1 mm)	7-19

Elevating Section, STF

Figure 7-4.a: Elevating Section, STF



SECTION 8 Options & Kits

Load Backrest	8-2
Flashing Warning Light Installation	8-4
Travel Alarm Installation	8-6
Tools	8-8
Pendant Control	8-10

Pendant Control

List 8-5: Pendant Control

FIGURE 8-5 ITEM NO.	QTY	PART NUMBER	DESCRIPTION	SERVICE TYPE	USED ON
			Pendant Control		
1	5	611-044	Connector, Mechanical		
2	1	15677-10	Clamp		
3	8	25332-01	Strap		
4	1	301654-008	Nut, Flange, Locking	H	
5	1	1111246/X01	Control, Pendant		
6	1	1101000/X02	Plate		
7	2	5-018-009	Washer, Flat	H	
8	2	5-001-031	Screw	H	
9	2	5-001-030	Screw (Not Shown)	H	

Service Type H = Hardware

CLICK HERE TO **DOWNLOAD** THE COMPLETE MANUAL

- Thank you very much for reading the preview of the manual.
- You can download the complete manual from: www.heydownloads.com by clicking the link below



- Please note: If there is no response to CLICKING the link, please download this PDF first and then click on it.

CLICK HERE TO **DOWNLOAD** THE COMPLETE MANUAL