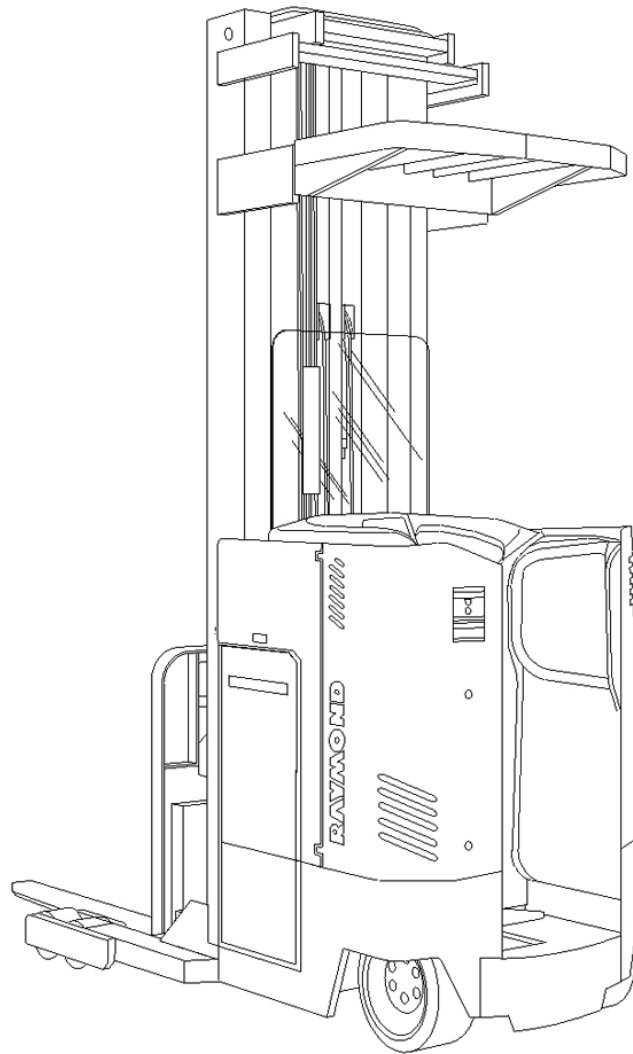


RAYMOND

Parts Manual

EASi Reach-Fork® Truck - Models EZ-C, EZ-CD



Model
EZ-C, EZ-CD

Serial Number
all

PDPM-0206

Dec 16, 2012

CLICK HERE TO **DOWNLOAD** THE COMPLETE MANUAL

- Thank you very much for reading the preview of the manual.
- You can download the complete manual from: www.heydownloads.com by clicking the link below



- Please note: If there is no response to CLICKING the link, please download this PDF first and then click on it.

CLICK HERE TO **DOWNLOAD** THE COMPLETE MANUAL

List 1-H: Hardware (Sheet 3 of 12)

| SERVICE TYPE | PART NUMBER | DESCRIPTION | SERVICE GROUP | ITEM NO. | QTY | USED ON |
|--------------|-------------|--|---------------|----------|-----|---------|
| H | 760-103 | Nut, Lock | 515 | 5 | 4 | |
| H | 760-211 | Nut, Lock | 717 | 17 | 2 | A |
| H | 760-217 | Nut, Lock | 717 | | 2 | BC |
| H | 760-243 | Nut, Lock | 732 | 11 | 2 | |
| H | 760-243 | Nut, Lock (Not Shown) | 704 | 73 | 2 | |
| H | 750-020 | Nut, Locking | 821A | 19 | 2 | |
| H | 760-013 | Nut, Locking | 809 | 15 | 2 | |
| H | 760-020 | Nut, Locking | 821 | 7 | 1 | |
| H | 760-130 | Nut, Locking | 705 | 42 | 2 | |
| H | 760-913 | Nut, Locking | 713 | 15 | 2 | |
| H | 760-020 | Nut, Locking (Use W/ Installation) (Not Shown) | 405 | 17 | 1 | |
| H | 5-016-005 | Nut, Nylon, Locking | 828 | 7 | 2 | |
| H | 753-004/005 | Nut, Push | 823 | 27 | 1 | |
| H | 812-029/002 | Nut, Retaining | 823 | 14 | 2 | |
| H | 761-878 | Nut, Slotted | 714 | | 1 | |
| H | 761-882 | Nut, Slotted | 301 | 24 | 1 | |
| H | 812-049 | Nut, Spring | 203 | 51 | 2 | |
| H | 760-148 | Nut, Steer Wheel Mounting | 713 | 6 | 2 | |
| H | 1029753/34 | Nut, Terminal | 511A | 32 | 3 | |
| H | 751-018 | Nut, Wing | 823 | 9 | 1 | |
| H | 5-031-010 | Ring, Retaining | 402B | 5 | 1 | |
| H | 1005931 | Screw | 402B | 8 | 4 | |
| H | 1024557/08 | Screw | 722A | 19 | 4 | |
| H | 1029753/08 | Screw | 511A | 26 | 3 | |
| H | 1029753/11 | Screw | 511A | 27 | 5 | |
| H | 1029753/15 | Screw | 511A | 28 | 4 | |
| H | 1029753/16 | Screw | 511A | 10 | 3 | |
| H | 1029753/20 | Screw | 511A | 29 | 8 | |
| H | 1050067/002 | Screw | 737 | 3 | AR | |
| H | 1050067/004 | Screw | 737 | 1 | 2 | |
| H | 1052117/04 | Screw | 512A | 4 | 2 | |
| H | 1052117/11 | Screw | 512A | 13 | 4 | |
| H | 1070427 | Screw | 402A | 6 | 4 | |
| H | 1133697/003 | Screw | 406 | 15 | 12 | |
| H | 5-001-001 | Screw | 504 | 3 | 4 | |
| H | 5-001-003 | Screw | 402 | 5 | 2 | |
| H | 5-001-006 | Screw | 510 | 12 | 4 | |
| H | 5-001-007 | Screw | 203 | 44 | 2 | |

Service Type H = Hardware

List 1-H: Hardware (Sheet 13 of 12)

| SERVICE TYPE | PART NUMBER | DESCRIPTION | SERVICE GROUP | ITEM NO. | QTY | USED ON |
|--------------|-------------|-------------------|---------------|----------|-----|---------|
| H | 570-610/17 | Washer, Spring | 512 | 17 | 3 | |
| H | 870-523/218 | Washer, Stop Bolt | 722 | 9 | 1 | |

Service Type H = Hardware

List 1-C: Critical (Sheet 9 of 23)

| SERVICE TYPE | PART NUMBER | DESCRIPTION | SERVICE GROUP | ITEM NO. | QTY | USED ON |
|--------------|-----------------|------------------------------|---------------|----------|-----|---------|
| C | 828-000-845/130 | Hose Assembly, Over the Mast | 735 | | | |
| C | 828-000-845/131 | Hose Assembly, Over the Mast | 735 | | | |
| C | 828-000-845/132 | Hose Assembly, Over the Mast | 735 | | | |
| C | 828-000-845/133 | Hose Assembly, Over the Mast | 735 | | | |
| C | 828-000-845/134 | Hose Assembly, Over the Mast | 735 | | | |
| C | 828-000-845/135 | Hose Assembly, Over the Mast | 735 | | | |
| C | 828-000-845/136 | Hose Assembly, Over the Mast | 735 | | | |
| C | 828-000-845/137 | Hose Assembly, Over the Mast | 735 | | | |
| C | 828-000-845/138 | Hose Assembly, Over the Mast | 735 | | | |
| C | 828-000-845/139 | Hose Assembly, Over the Mast | 735 | | | |
| C | 828-000-845/140 | Hose Assembly, Over the Mast | 735 | | | |
| C | 828-000-845/141 | Hose Assembly, Over the Mast | 735 | | | |
| C | 828-000-845/142 | Hose Assembly, Over the Mast | 735 | | | |
| C | 828-000-845/143 | Hose Assembly, Over the Mast | 735 | | | |
| C | 828-000-845/144 | Hose Assembly, Over the Mast | 735 | | | |
| C | 828-000-845/145 | Hose Assembly, Over the Mast | 735 | | | |
| C | 828-000-845/146 | Hose Assembly, Over the Mast | 735 | | | |
| C | 828-000-845/147 | Hose Assembly, Over the Mast | 735 | | | |
| C | 828-000-845/148 | Hose Assembly, Over the Mast | 735 | | | |
| C | 828-000-845/149 | Hose Assembly, Over the Mast | 735 | | | |
| C | 828-000-845/150 | Hose Assembly, Over the Mast | 735 | | | |
| C | 828-000-845/151 | Hose Assembly, Over the Mast | 735 | | | |
| C | 828-000-845/152 | Hose Assembly, Over the Mast | 735 | | | |
| C | 828-000-845/153 | Hose Assembly, Over the Mast | 735 | | | |
| C | 828-000-845/154 | Hose Assembly, Over the Mast | 735 | | | |
| C | 828-000-845/155 | Hose Assembly, Over the Mast | 735 | | | |
| C | 828-000-845/156 | Hose Assembly, Over the Mast | 735 | | | |
| C | 828-000-845/157 | Hose Assembly, Over the Mast | 735 | | | |
| C | 828-000-845/158 | Hose Assembly, Over the Mast | 735 | | | |
| C | 828-000-845/159 | Hose Assembly, Over the Mast | 735 | | | |
| C | 828-000-845/160 | Hose Assembly, Over the Mast | 735 | | | |
| C | 828-000-845/161 | Hose Assembly, Over the Mast | 735 | | | |
| C | 828-000-845/162 | Hose Assembly, Over the Mast | 735 | | | |
| C | 828-000-845/163 | Hose Assembly, Over the Mast | 735 | | | |
| C | 828-000-845/164 | Hose Assembly, Over the Mast | 735 | | | |
| C | 828-000-845/165 | Hose Assembly, Over the Mast | 735 | | | |
| C | 828-000-845/166 | Hose Assembly, Over the Mast | 735 | | | |
| C | 828-000-845/167 | Hose Assembly, Over the Mast | 735 | | | |

Service Type C = Critical Part

List 1-C: Critical (Sheet 19 of 23)

| SERVICE TYPE | PART NUMBER | DESCRIPTION | SERVICE GROUP | ITEM NO. | QTY | USED ON |
|--------------|-----------------|--|---------------|----------|-----|---------|
| C | 828-000-845/240 | Hose Assembly, Over the Mast (See 735) | 733 | 2 | 1 | |
| C | 828-000-845/242 | Hose Assembly, Over the Mast (See 735) | 733 | 1 | 1 | |
| C | 828-000-845/243 | Hose Assembly, Over the Mast (See 735) | 733 | 2 | 1 | |
| C | 828-000-845/245 | Hose Assembly, Over the Mast (See 735) | 733 | 1 | 1 | |
| C | 828-000-845/246 | Hose Assembly, Over the Mast (See 735) | 733 | 2 | 1 | |
| C | 828-000-845/248 | Hose Assembly, Over the Mast (See 735) | 733 | 1 | 1 | |
| C | 828-000-845/249 | Hose Assembly, Over the Mast (See 735) | 733 | 2 | 1 | |
| C | 828-000-845/251 | Hose Assembly, Over the Mast (See 735) | 733 | 1 | 1 | |
| C | 828-000-845/252 | Hose Assembly, Over the Mast (See 735) | 733 | 2 | 1 | |
| C | 828-000-845/254 | Hose Assembly, Over the Mast (See 735) | 733 | 1 | 1 | |
| C | 828-000-845/255 | Hose Assembly, Over the Mast (See 735) | 733 | 2 | 1 | |
| C | 828-000-845/257 | Hose Assembly, Over the Mast (See 735) | 733 | 1 | 1 | |
| C | 828-000-845/258 | Hose Assembly, Over the Mast (See 735) | 733 | 2 | 1 | |
| C | 828-000-845/260 | Hose Assembly, Over the Mast (See 735) | 733 | 1 | 1 | |
| C | 828-000-845/261 | Hose Assembly, Over the Mast (See 735) | 733 | 2 | 1 | |
| C | 828-000-845/263 | Hose Assembly, Over the Mast (See 735) | 733 | 1 | 1 | |
| C | 828-000-845/264 | Hose Assembly, Over the Mast (See 735) | 733 | 2 | 1 | |
| C | 828-000-845/266 | Hose Assembly, Over the Mast (See 735) | 733 | 1 | 1 | |
| C | 828-000-845/267 | Hose Assembly, Over the Mast (See 735) | 733 | 2 | 1 | |
| C | 828-000-845/269 | Hose Assembly, Over the Mast (See 735) | 733 | 1 | 1 | |
| C | 828-000-845/270 | Hose Assembly, Over the Mast (See 735) | 733 | 2 | 1 | |
| C | 828-000-845/272 | Hose Assembly, Over the Mast (See 735) | 733 | 1 | 1 | |
| C | 828-000-845/273 | Hose Assembly, Over the Mast (See 735) | 733 | 2 | 1 | |
| C | 828-000-845/275 | Hose Assembly, Over the Mast (See 735) | 733 | 1 | 1 | |
| C | 828-000-845/276 | Hose Assembly, Over the Mast (See 735) | 733 | 2 | 1 | |
| C | 828-000-845/278 | Hose Assembly, Over the Mast (See 735) | 733 | 1 | 1 | |
| C | 828-000-845/279 | Hose Assembly, Over the Mast (See 735) | 733 | 2 | 1 | |
| C | 828-000-845/281 | Hose Assembly, Over the Mast (See 735) | 733 | 1 | 1 | |
| C | 828-000-845/282 | Hose Assembly, Over the Mast (See 735) | 733 | 2 | 1 | |
| C | 828-000-845/284 | Hose Assembly, Over the Mast (See 735) | 733 | 1 | 1 | |
| C | 828-000-845/285 | Hose Assembly, Over the Mast (See 735) | 733 | 2 | 1 | |
| C | 828-000-845/287 | Hose Assembly, Over the Mast (See 735) | 733 | 1 | 1 | |
| C | 828-000-845/288 | Hose Assembly, Over the Mast (See 735) | 733 | 2 | 1 | |
| C | 828-000-845/290 | Hose Assembly, Over the Mast (See 735) | 733 | 1 | 1 | |
| C | 828-000-845/291 | Hose Assembly, Over the Mast (See 735) | 733 | 2 | 1 | |
| C | 828-000-845/293 | Hose Assembly, Over the Mast (See 735) | 733 | 1 | 1 | |
| C | 828-000-845/294 | Hose Assembly, Over the Mast (See 735) | 733 | 2 | 1 | |
| C | 828-000-845/296 | Hose Assembly, Over the Mast (See 735) | 733 | 1 | 1 | |

Service Type C = Critical Part

List 1-R: Recommended (Sheet 5 of 9)

| SERVICE TYPE | PART NUMBER | DESCRIPTION | SERVICE GROUP | ITEM NO. | QTY | USED ON |
|--------------|-----------------|--|---------------|----------|-----|---------|
| R | 1051098/002 | Kit, Seal (Not Shown) (Includes Items 5, 6, 7, 13, 16, 17) | 614 | 33 | 3 | |
| R | 520-910/05 | Kit, Seal, Check Valve | 720B | 7 | 1 | |
| R | 540-067/214 | Kit, Seal, Cylinder | 619 | 8 | 1 | |
| R | 1014796/412 | Kit, Seal, Cylinder (Not Shown) | 620 | 2 | 1 | |
| R | 520-911/01 | Kit, Seal, Repair (Not Shown) | 719 | 7 | 1 | |
| R | 870-522/05 | Kit, Seal, Rod | 618 | 8 | 1 | |
| R | 870-855/06 | Kit, Spring, Centering (4 Per) | 306 | 10 | 1 | A |
| R | 1004925 | Kit, Temperature Sensor, Drive Motor (Not Shown) | 511 | 39 | 1 | |
| R | 1-105-129/111 | Kit, Tip | 506 | 1 | 1 | |
| R | 1-105-131/111 | Kit, Tip | 506 | 2 | 1 | |
| R | 1063581 | Module (Not Shown) | 509 | 7 | 1 | |
| R | 838-007-441/006 | Module Assembly, Transducer (CYL-P) | 606 | 6 | 1 | |
| R | 154-010-405/003 | Module, Suppressor (Not Shown) | 507 | | 1 | |
| R | 1024365/113 | O-Ring | 403 | 3 | 1 | B |
| R | 1024365/114 | O-Ring | 403 | 4 | 1 | B |
| R | 1029983/08 | O-Ring | 303A | 11 | 3 | |
| R | 1034060/85 | O-Ring | 512A | 20 | 1 | |
| R | 530-426 | O-Ring | 401 | 19 | 1 | |
| R | 591-569/117 | O-Ring | 810 | 14D | 1 | |
| R | 870-522/03 | O-Ring | 618 | 3 | 2 | |
| R | 870-834/113 | O-Ring | 403 | | 1 | A |
| R | 870-834/114 | O-Ring | 403 | 4 | 1 | A |
| R | 870-886/14 | O-Ring | 306 | 13 | 1 | |
| R | 870-886/22 | O-Ring | 306 | 21 | 1 | |
| R | 870-886/23 | O-Ring | 306 | 22 | 1 | |
| R | 530-409 | O-Ring, Packing | 615 | 17 | 1 | |
| R | 530-428 | O-Ring, Packing | 613 | 16 | 1 | |
| R | 1-120-124/001 | Potentiometer, Lift/Lower | 310 | 21 | 1 | |
| R | 1-120-126/001 | Potentiometer, Lift/Lower | 312 | 11 | 1 | |
| R | 1-120-126/101 | Potentiometer, Travel | 312 | 12 | 1 | |
| R | 1-100-068 | Relay | 509 | 4 | 3 | AB |
| R | 1-100-013 | Relay, Travel Alarm/Light(s) (K3) | 817 | 11 | 1 | CF |
| R | 1-110-847/027 | Resistor (Not Shown) | 507 | | 1 | |
| R | 828-005-094 | Resistor Assembly | 805 | 14 | 1 | |
| R | 828-011-106/002 | Resistor, Lift Power Amplifier Precharge (LR) | 506 | 9 | 1 | |
| R | 828-011-106/001 | Resistor, Traction Power Amplifier | 505 | 18 | 1 | |
| R | 828-011-106/001 | Resistor, Traction Power Amplifier (TPC-2) | 506 | 8 | 1 | |
| R | 1-120-124/101 | Resistor, Variable Potentiometer, Travel | 310 | 6 | 1 | |

Service Type R = Recommended Spare

EASi Reach-Fork® Truck - Models EZ-C, EZ-CD - Finish & Accessories

Frame Assembly, Fore/Aft Stance

List 2-2: Frame Assembly, Fore/Aft Stance (Sheet 1 of 2)

| FIGURE 2-2 ITEM NO. | QTY | PART NUMBER | DESCRIPTION | SERVICE TYPE | USED ON |
|------------------------|-----|-----------------|--|-----------------|------------|
| | | | Frame Assembly, Fore/Aft Stance | | |
| 1 | 5 | 828-006-727/002 | Roller Assembly, Battery (See 204) | | A |
| | 5 | 828-006-727/006 | Roller Assembly, Battery (See 204) | | B |
| | 5 | 828-006-727/881 | Roller Assembly, Battery (See 204) | | |
| 2 | | Ref. | Frame Weldment (Consult Technical Support) | | |
| 3 | 1 | 828-008-437 | Door, Weldment | | |
| | 1 | 1017796 | Door, Weldment | | |
| 4 | 2 | 714-206 | Screw | H | |
| 5 | 2 | 828-004-421 | Bracket, Latch | | |
| 6 | 2 | 861-026 | Pin, Clevis | | |
| 7 | 2 | 462-031 | Bearing, Oilite | R | |
| | 2 | 462-032 | Bushing, Flanged | R | |
| 8 | 1 | 710-264 | Screw | H | |
| 9 | 1 | 750-433 | Nut, Jam, Hex | H | |
| 10 | 1 | 710-010 | Screw | H | |
| 11 | 1 | 701-220 | Screw | H | |
| 12 | 2 | 750-006 | Nut | H | |
| 13 | 2 | 771-116 | Washer, Flat | H | |
| 16 | 1 | 828-005-240 | Bracket | | |
| 17 | 1 | Ref. | Dash Bracket Assembly (See 510) | | |
| 18 | 1 | 5-015-003 | Nut | H | |
| 19 | 2 | 710-008 | Screw | H | |
| 20 | | Ref. | Cover Assembly, ODI (See 208) | | |
| 21 | 1 | 771-114 | Washer, Flat | H | |
| 22 | 1 | 154-009-117/001 | Strap, Static, Insulated (Not Shown) | | |
| | 1 | 154-009-116/001 | Cable, Drag (Not Shown) | | |
| | 1 | 154-009-117/101 | Strap, Static, Insulated (Not Shown) | | B |
| | 1 | 154-009-116/101 | Cable, Drag (Not Shown) | | B |
| | 1 | 170-000-703 | Insulator (Not Shown) | | |
| | 1 | 710-004 | Screw, Cap, Hex Head (Not Shown) | H | |
| | 1 | 724-412 | Screw, Set, Socket Head (Not Shown) | H | |
| | 1 | 774-016 | Washer, Lock (Not Shown) | H | |
| 24 | 1 | 828-008-391 | Guard, Cable | | |
| 26 | 1 | 828-011-056 | Bracket, Cover | | |
| | 1 | 1019659 | Bracket, Cover | | |

A = 18.5 in. Battery Compartment

B = 21.5 in. Battery Compartment

Service Type R = Recommended Spare

Service Type H = Hardware

Top Cover Assembly, Fore/Aft Stance and Dockstance

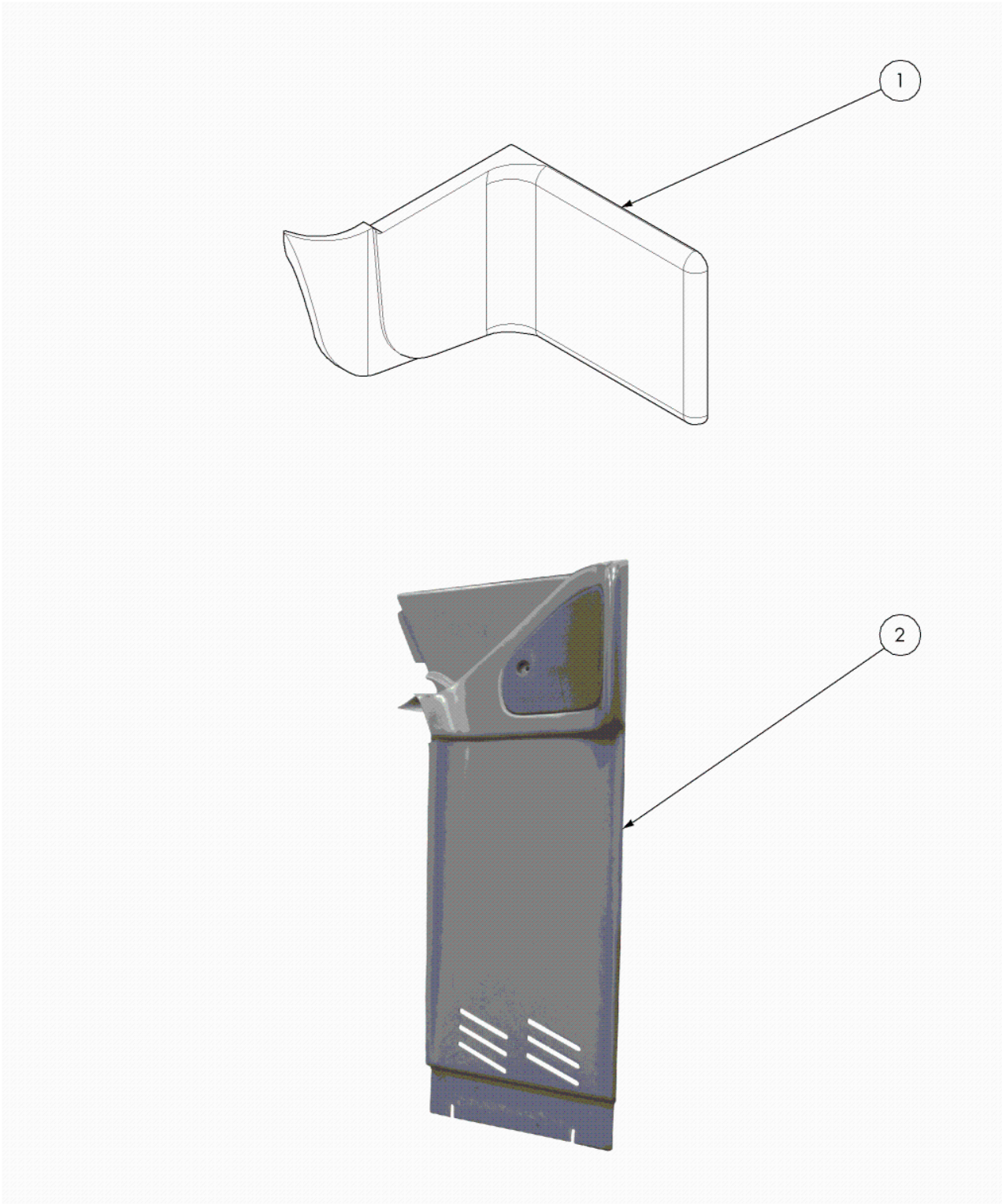
Figure 2-5.a: Top Cover Assembly, Fore/Aft Stance and Dockstance



Fore/Aft Stance

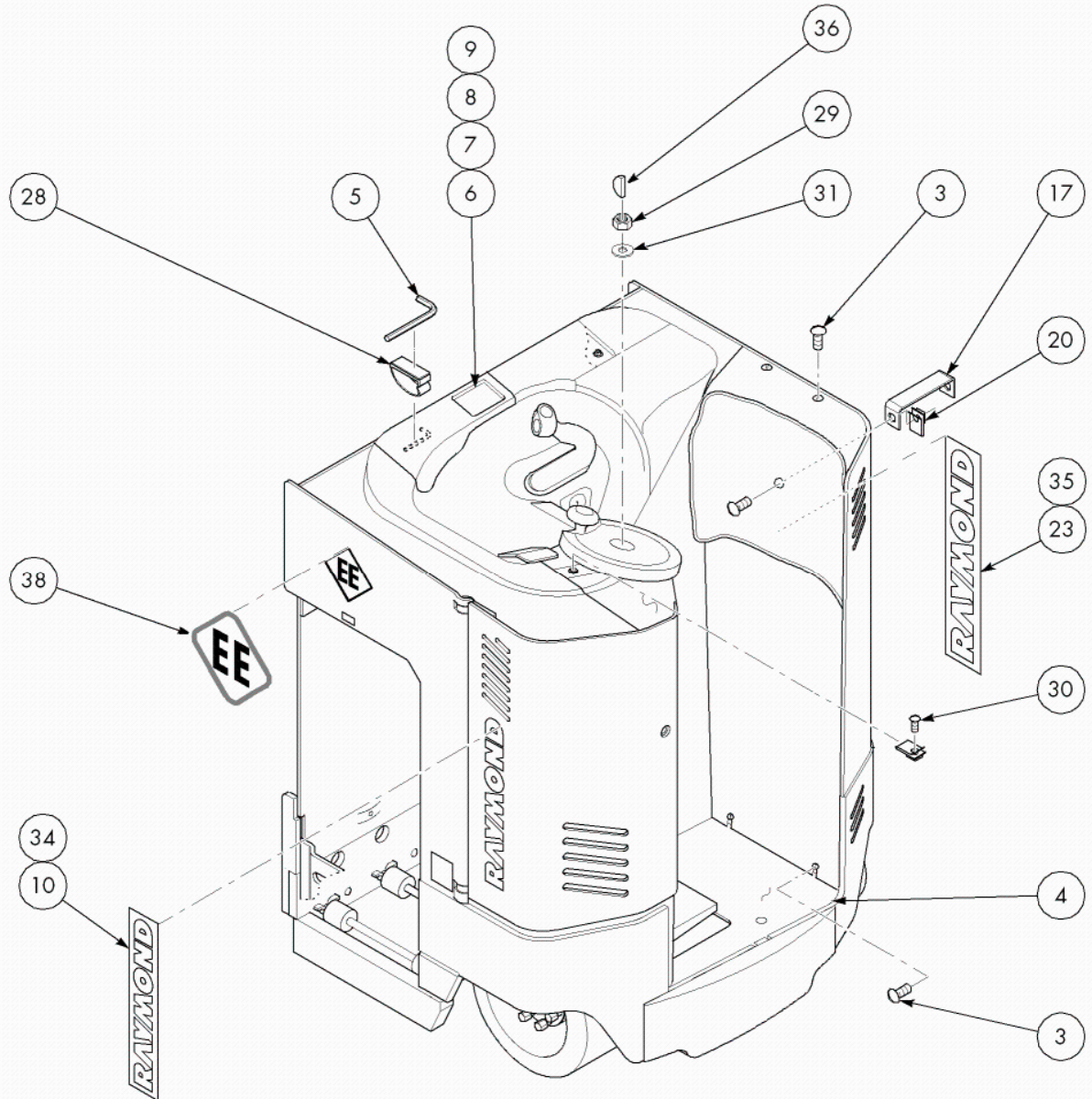
Finish Instructions, Fore/Aft Stance

Figure 2-6.g: Finish Instructions, Fore/Aft Stance



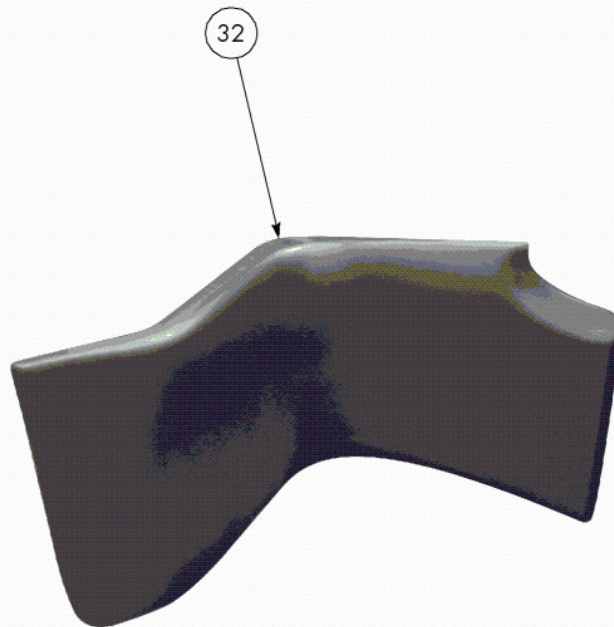
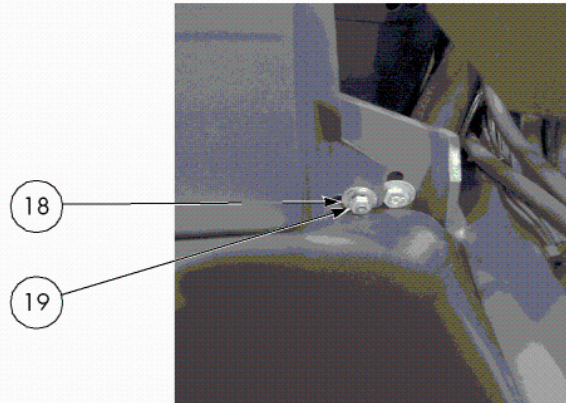
Finish Instructions, Dockstance

Figure 2-7.a: Finish Instructions, Dockstance



Finish Instructions, Dockstance

Figure 2-7.k: Finish Instructions, Dockstance



EASi Reach-Fork® Truck - Models EZ-C, EZ-CD - Finish & Accessories

Pad, Floor/Brake Installation

List 2-9: Pad, Floor/Brake Installation

| FIGURE 2-9 ITEM NO. | QTY | PART NUMBER | DESCRIPTION | SERVICE TYPE | USED ON |
|------------------------|-----|-----------------|--|-----------------|------------|
| | | | Pad, Floor/Brake Installation | | |
| | | 828-009-541/002 | Pad Installation | | |
| | | 828-009-541/004 | Pad Installation | | |
| | | 828-013-539 | Kit, Pad, Ergo (Includes Items 1 and 3) | | A |
| | | 828-013-540 | Kit, Pad, Ergo (Includes Items 2, 3 and 5) | | B |
| | | 828-013-652 | Kit, Pad, Heated (Includes Items 1 and 4) | | A |
| 1 | 1 | 828-013-345 | Pad, Pedal, Ergo | | AC |
| | 1 | 828-006-851/STD | Pad, Pedal | | A |
| | 1 | 828-006-851 | Pad, Pedal, Comfort Package | | A |
| 2 | 1 | 828-013-346 | Pad, Pedal, Ergo | | B |
| | 1 | 1006926 | Pad, Pedal | | B |
| 3 | 1 | 828-013-344 | Pad, Floor, Ergo | | AC |
| | 1 | 828-013-347 | Pad, Floor, Ergo | | B |
| 4 | 1 | 828-006-845/001 | Pad, Floor, Ergo, Heated | | A |
| | 1 | 828-013-649/001 | Pad, Floor, Comfort Package | | A |
| | 1 | 1005579 | Kit, Cushion Pad Assembly, Heated (Includes Items 2 and 5) | | B |
| 5 | 1 | 1006922 | Pad, Front, Floor | | B |
| | 1 | 828-013-348 | Pad, Front, Floor, Ergo | | |
| 7 | 2 | 611-029 | Tie, Cable (Used W/ Item 4) (Not Shown) | | |
| 8 | 2 | 611-044 | Mount, Strap (Used W/ Item 4) (Not Shown) | | |
| 9 | 1 | 828-013-539 | Kit, Pad, Ergo (Includes Items 1 and 3) (Not Shown) | | AC |

A = EZ

B = DZ

C = Use W/ Item 828-013-539

EASi Reach-Fork® Truck - Models EZ-C, EZ-CD - Steering & Controls

Steer Idler Wheel, 270 in. Elevated Height and Above

List 3-1: Steer Idler Wheel, 270 in. Elevated Height and Above (Sheet 1 of 3)

| FIGURE 3-1 ITEM NO. | QTY | PART NUMBER | DESCRIPTION | SERVICE TYPE | USED ON |
|------------------------|-----|-----------------|--|-----------------|------------|
| | | | Steer Idler Wheel, 270 in. Elevated Height and Above | | |
| | | 828-013-265 | Wheel, Steer Idler, Assembly | | |
| 1 | 1 | 828-013-265/007 | Wheel, Steer Idler, Assembly (Not Shown) | | |
| | 1 | 828-013-265/107 | Wheel, Steer Idler, Assembly (Not Shown) | | |
| 2 | 2 | 830-218 | Spring, Compression | R | |
| 3 | 2 | 828-000-250 | Bolt, Spring | H | |
| 4 | 2 | 828-000-229 | Boss, Spring | | |
| 5 | 1 | 828-004-493 | Washer | H | |
| 6 | 1 | 828-009-602 | Counterweight | | |
| | 1 | 828-009-603 | Counterweight (Fore and Aft) | | |
| 7 | 2 | 710-242 | Screw | H | |
| 8 | 1 | 464-092 | Bearing, Thrust Washer | R | |
| 9 | 1 | 828-004-021/001 | Bracket Weldment, Steer | | D |
| | 1 | 828-004-021/002 | Bracket Weldment, Steer | | C |
| | 1 | 828-004-021/003 | Bracket Weldment, Steer | | A |
| | 1 | 828-004-021/004 | Bracket Weldment, Steer | | B |
| | 1 | 1019595/001 | Bracket, Steer Assembly | | D |
| | 1 | 1019595/002 | Bracket, Steer Assembly | | C |
| | 1 | 1019595/003 | Bracket, Steer Assembly | | A |
| | 1 | 1019595/004 | Bracket, Steer Assembly | | B |
| 10 | 4 | 824-000-382 | Bolt | H | |
| 11 | 12 | 824-000-390 | Spacer, Shim | | |
| 12 | 2 | 828-003-021 | Bracket, Mounting, Steer | | |
| 13 | 4 | 710-252 | Screw, Cap, Hex Head | H | |
| 14 | 4 | 771-025 | Washer, Flat | H | |
| 15 | 2 | 710-248 | Screw | H | |
| 16 | 2 | 750-031 | Nut, Hex | H | |
| 17 | 1 | 750-434 | Nut, Jam, Hex | H | |
| 18 | 1 | 822-002-663 | Bolt | H | |
| 19 | 2 | 828-003-701 | Spacer | | |
| 20 | 1 | 841-056 | Fitting, Grease | | |
| 21 | AR | 828-000-225/001 | Shim (0.06 in. Thick) | | |
| | AR | 828-000-225/002 | Shim (0.12 in. Thick) | | |

A = 21.5 in. Battery Compartment

B = 18.5 in. Battery Compartment

C = 16.5 in. Battery Compartment

D = 14.5 in. Battery Compartment

Service Type R = Recommended Spare

Service Type H = Hardware

EASi Reach-Fork® Truck - Models EZ-C, EZ-CD - Steering & Controls

Steer Valve Assembly, Fore/Aft Stance

List 3-4: Steer Valve Assembly, Fore/Aft Stance

| FIGURE 3-4 ITEM NO. | QTY | PART NUMBER | DESCRIPTION | SERVICE TYPE | USED ON |
|------------------------|-----|-------------|---|-----------------|------------|
| | | | Steer Valve Assembly, Fore/Aft Stance | | |
| 1 | 1 | 870-613/07 | Shaft and Flange Assembly | | |
| | 1 | 760-148 | Nut, Steer Wheel Mounting | H | |
| | 1 | 850-111 | Key, Woodruff | | |
| 2 | 1 | 828-011-208 | Valve Assembly, Orbit (Includes Items 13 Thru 19) | R | A |
| 3 | 1 | 1094553 | Valve Assembly, Orbit (Includes Items 20 Thru 27) | R | B |
| | 4 | 710-139 | Screw | H | A |
| | 4 | 5-001-019 | Screw | H | B |
| 4 | 4 | 771-123 | Washer, Flat | H | A |
| | 4 | 5-018-007 | Washer, Flat | H | B |
| 5 | 1 | 828-001-457 | Ring | | |
| | 1 | 828-006-317 | Ring | | |
| 6 | 2 | 750-006 | Nut | H | |
| 7 | 1 | 828-005-279 | Bracket, Steer | | |
| 8 | 3 | 740-134 | Bolt, Carriage | H | |
| 9 | 3 | 761-935/002 | Nut, Flange | H | |
| 10 | 2 | 828-005-271 | Shim | | |
| 11 | 4 | 772-123 | Washer, Lock | H | |
| 13 | 1 | 870-855 | Valve, Orbitrol (See 306) | R | A |
| 14 | 1 | 792-342 | Fitting, Tube, Elbow, 90 Degree | | A |
| 15 | 1 | 792-222/002 | Connector, Straight, Long | | A |
| 16 | 1 | 828-008-143 | Elbow, 90 Degree, Extra Long | | A |
| 17 | 1 | 790-401 | Fitting, Pipe, Elbow, 90 Degree | | A |
| 18 | 1 | 792-327 | Cap, Tube | | A |
| 19 | 1 | 850-111 | Key, Woodruff | | A |
| 20 | 1 | 1094488 | Valve, Orbitrol Metering (Not Shown) | | B |
| 21 | 1 | 792-343 | Adapter, Straight Fitting (Not Shown) | | B |
| 22 | 1 | 792-222/002 | Connector, Straight, Long (Not Shown) | | B |
| 23 | 2 | 792-342 | Fitting, Tube, Elbow, 90 Degree (Not Shown) | | B |
| 24 | 1 | 828-008-143 | Elbow, 90 Degree, Extra Long (Not Shown) | | B |
| 25 | 1 | 790-401 | Fitting, Pipe, Elbow, 90 Degree (Not Shown) | | B |
| 26 | 1 | 782-828 | Nipple, 1/8 Quick Coupling (Not Shown) | | B |
| 27 | 1 | 782-827 | Cap, Steel (Not Shown) | | B |

A = Original Parts

B = Order Kit 1100698 for Replacing Original Orbital

Service Type R = Recommended Spare

Service Type H = Hardware

Control Handle Installation, Fore/Aft Stance

List 3-9: Control Handle Installation, Fore/Aft Stance

| FIGURE 3-9 ITEM NO. | QTY | PART NUMBER | DESCRIPTION | SERVICE TYPE | USED ON |
|------------------------|-----|-----------------|---|-----------------|------------|
| | | | Control Handle Installation, Fore/Aft Stance | | |
| | | 828-006-848 | Control Handle Assembly | C | |
| | | 828-006-848/004 | Control Handle Assembly (See 310) (Thermakit) | C | |
| | | 828-009-630/007 | Control Handle Assembly (See 310) | C | |
| | | 828-009-630/008 | Control Handle Assembly (See 310) | C | |
| | | 828-009-630/009 | Control Handle Assembly (See 310) | C | |
| | | 828-009-630/010 | Control Handle Assembly (See 310) | C | |
| | | 828-009-630/011 | Control Handle Assembly (See 310) | C | |
| | | 828-009-630/012 | Control Handle Assembly (See 310) | C | |
| | | 828-009-630/013 | Control Handle Assembly (Standard) (See 310) | C | |
| | | 828-009-630/014 | Control Handle Assembly (Cold Storage (36V)) (See 310) | C | |
| | | 828-009-630/015 | Control Handle Assembly (Cold Storage (24V)) (See 310) | C | |
| | | 828-009-630/016 | Control Handle Assembly (Standard) (See 310) | C | |
| | | 828-009-630/017 | Control Handle Assembly (Cold Storage (36V)) (See 310) | C | |
| | | 828-009-630/018 | Control Handle Assembly (Cold Storage (24V)) (See 310) | C | |
| | | 828-009-630/019 | Control Handle Assembly (Standard) (See 310) | C | |
| | | 828-009-630/020 | Control Handle Assembly (Cold Storage (36V)) (See 310) | C | |
| | | 828-009-630/021 | Control Handle Assembly (Cold Storage (24V)) (See 310) | C | |
| | | 828-009-630/022 | Control Handle Assembly (Standard) (See 310) | C | |
| | | 828-009-630/023 | Control Handle Assembly (Cold Storage (36V)) (See 310) | C | |
| | | 828-009-630/024 | Control Handle Assembly (Cold Storage (24V)) (See 310) | C | |
| 1 | 1 | 1007440 | Harness Assembly, Heater, Thermakit (JHT2 To JHT1, TP4, PC) (Includes:) | | |
| | 1 | 828-009-703/003 | Harness Assembly, Heater, Cold Storage (JHT1 To TP4) (Includes:) | | |
| | 1 | 828-009-703/006 | Harness Assembly, Heater, Cold Storage (JHT1 To TP4) (Includes:) | | |
| | 1 | 590-563 | Fuse | R | |
| | 1 | 590-583 | Holder, Fuse | | |
| | 1 | 590-819 | Thermostat | R | |
| | 1 | 828-009-705/002 | Harness Assembly, Heater, Thermakit (JHT1 To JHT2 To TP4) | | |
| 2 | 1 | 810-767 | Pin, Spiral | | |
| 3 | 1 | 724-524 | Screw | H | |

Service Type R = Recommended Spare

Service Type C = Critical Part

Service Type H = Hardware

Control Handle Assembly, Dockstance

List 3-12: Control Handle Assembly, Dockstance (Sheet 2 of 2)

| FIGURE 3-12 ITEM NO. | QTY | PART NUMBER | DESCRIPTION | SERVICE TYPE | USED ON |
|-------------------------|-----|-----------------|---|-----------------|------------|
| 29 | 1 | 411-421/002 | Decal, Label, Specification Plate | | |
| 30 | 1 | 828-005-193 | Card Assembly, Switch (Cold Storage) | C | A |
| 32 | 1 | 1037732 | Button (Cone Shaped) (Not Shown) | | A |
| 36 | 1 | 591-640 | Heater (36V) (Not Shown) | R | |
| 38 | 1 | 1-012-429/001 | Connector, Electrical, Housing | | A |
| 39 | 2 | 1-012-430/001 | Pin, Connector | | A |
| 40 | 1 | 611-046 | Strap | | |
| 41 | 2 | 717-101/001 | Screw, Set | H | |
| 44 | 1 | 611-093/002 | Insulation, Electrical | | |
| 46 | 1 | 1008001/001 | Cable Assembly (Not Shown) | | |
| 47 | 1 | 828-009-052 | Card Assembly, Simul-Function Control | R | |
| 48 | 1 | 828-R06-161/018 | Control Handle Assembly, Cold Storage, Raybuilt (Not Shown) | C | AC |
| 49 | 1 | 828-R06-161/017 | Control Handle Assembly, Standard, Raybuilt (Not Shown) | C | BD |
| 50 | 1 | 1-012-430/002 | Contact, Pin (Not Shown) | | |

A = Cold Storage

B = Standard

C = Use W/ 828-006-161/014

D = Use W/ 828-006-161/013

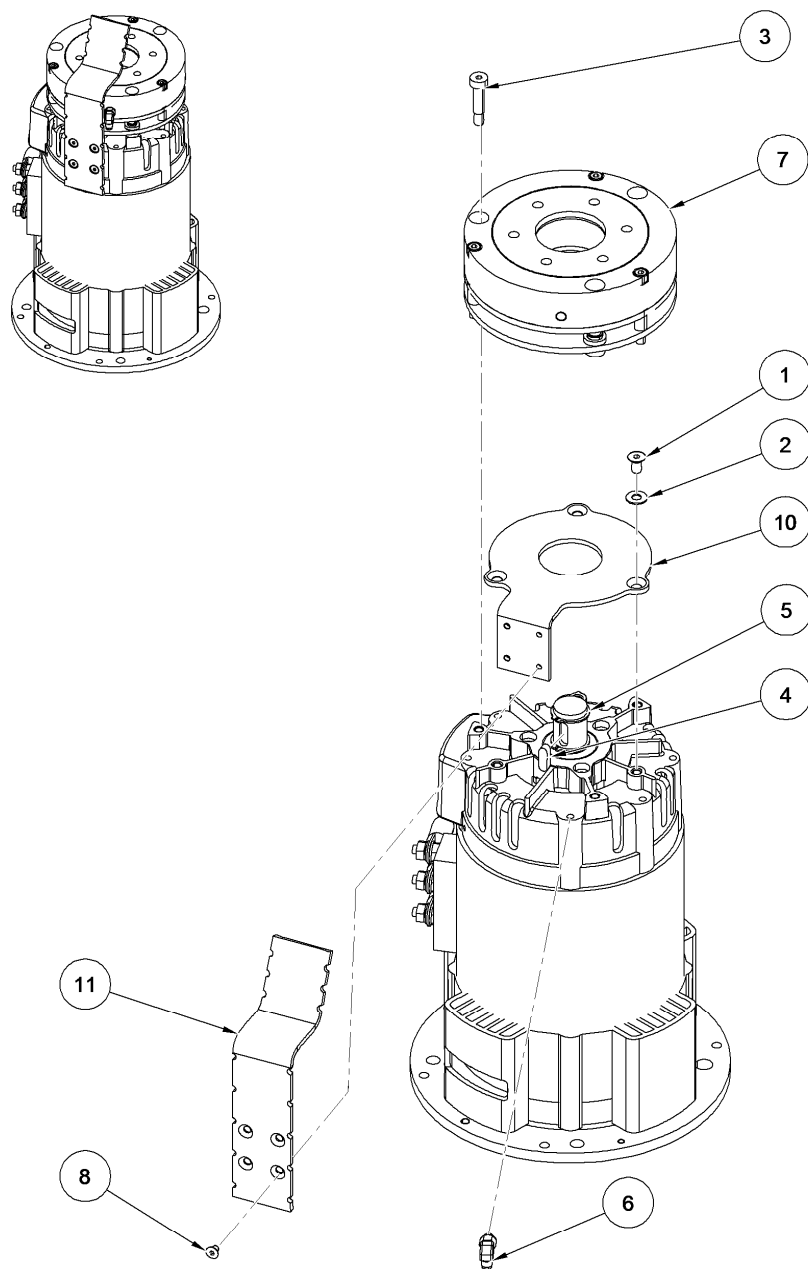
Service Type R = Recommended Spare

Service Type C = Critical Part

Service Type H = Hardware

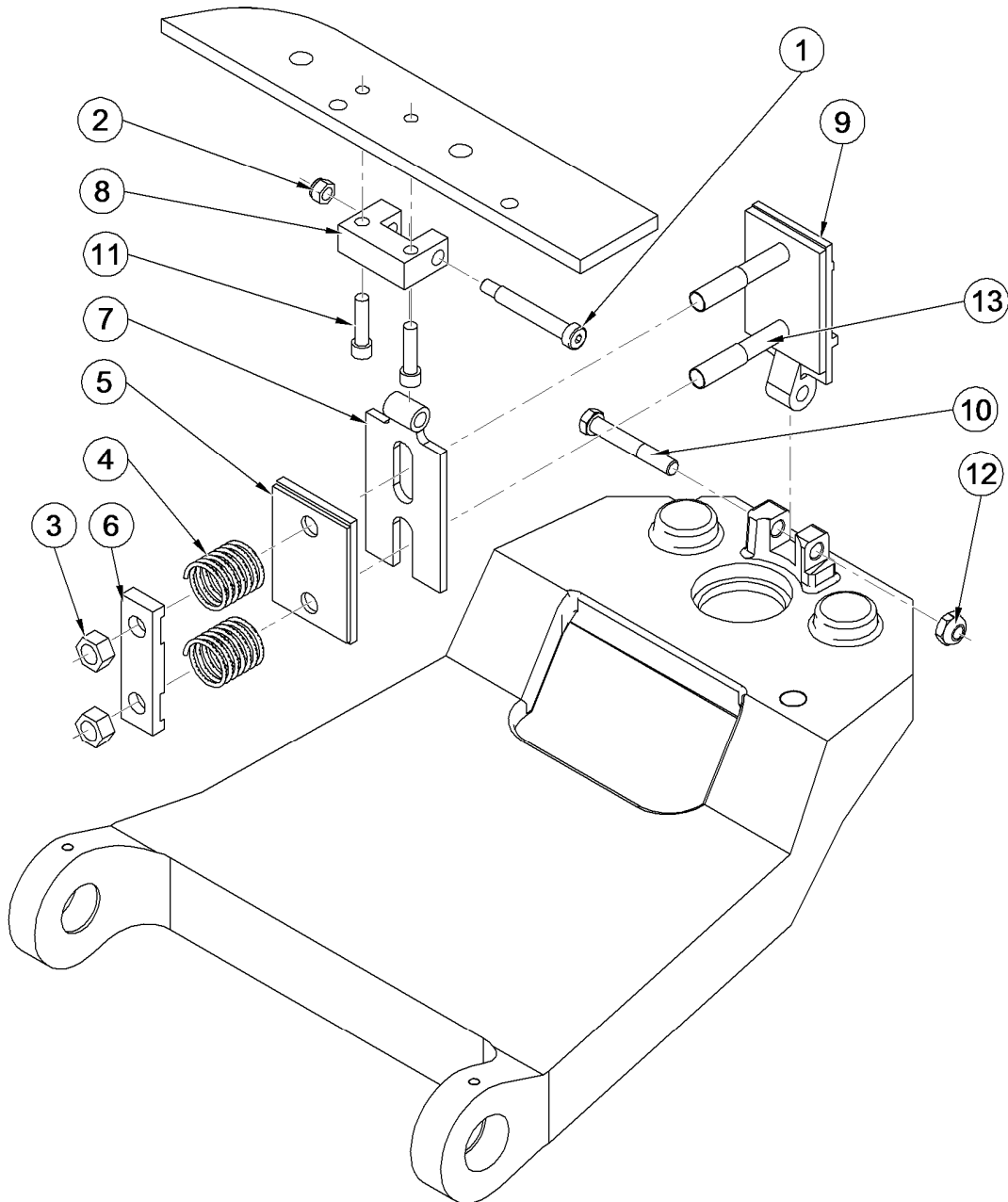
Brake Installation

Figure 4-2B: Brake Installation



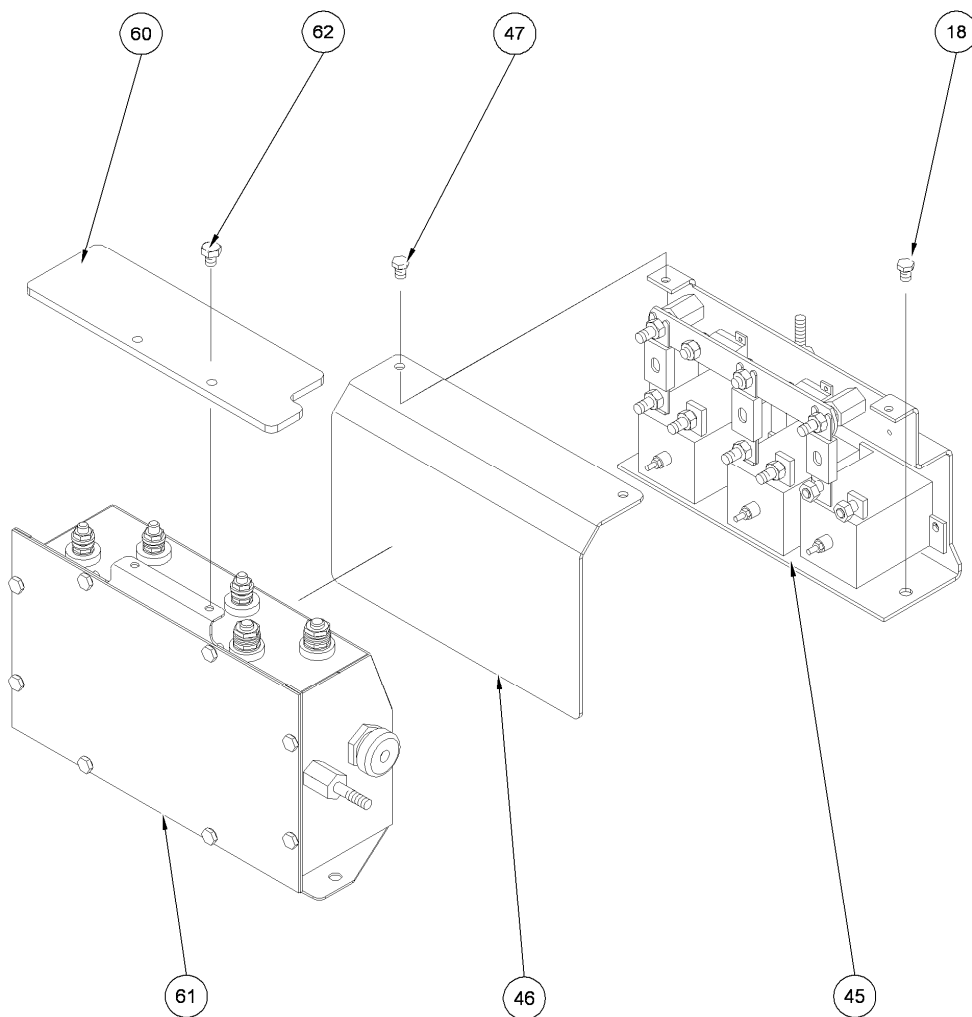
Inertial Dampener Assembly

Figure 4-5A: Inertial Dampener Assembly



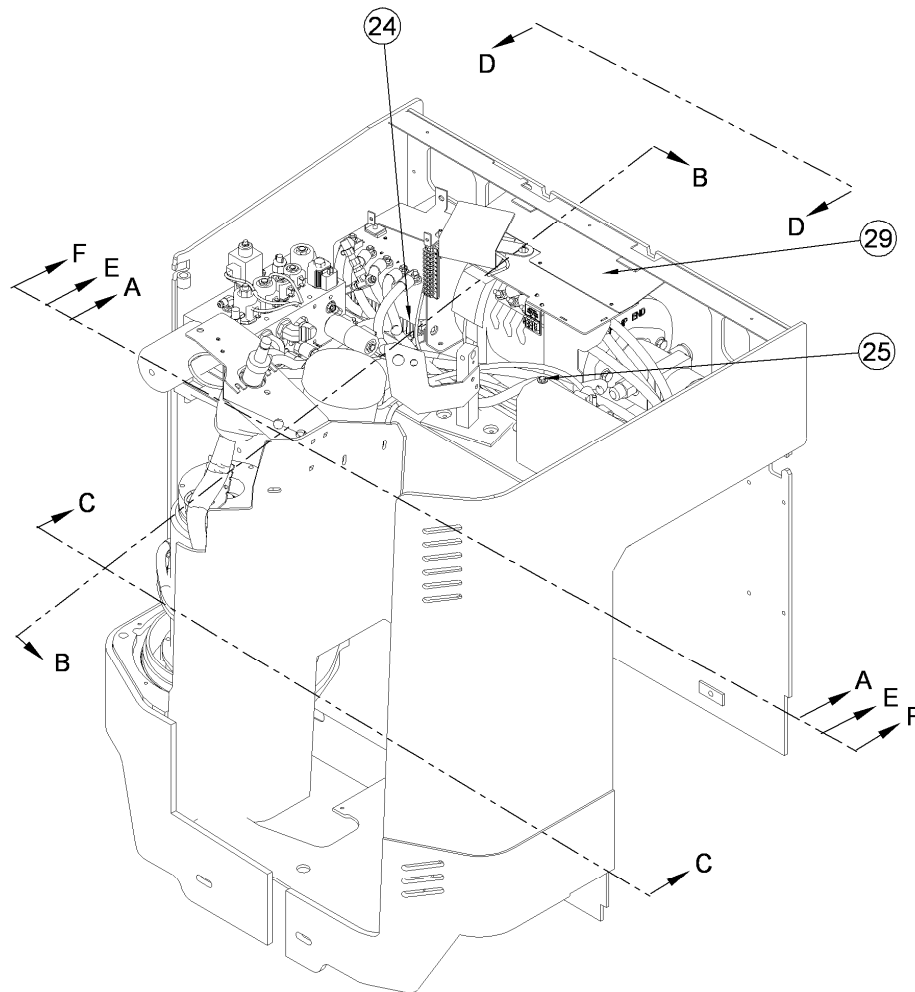
System Electrical, Fore/Aft Stance

Figure 5-1.d: System Electrical, Fore/Aft Stance



System Electrical, Dockstance

Figure 5-2.a: System Electrical, Dockstance



EASi Reach-Fork® Truck - Models EZ-C, EZ-CD - Electrical Comp. & System
 System Electrical, Dockstance

List 5-2: System Electrical, Dockstance (Sheet 1 of 3)

| FIGURE 5-2 ITEM NO. | QTY | PART NUMBER | DESCRIPTION | SERVICE TYPE | USED ON |
|------------------------|-----|-----------------|---|-----------------|------------|
| | | | System Electrical, Dockstance | | |
| 1 | 16 | 1002219/004 | Nut | H | |
| 4 | 1 | 828-005-638 | Bracket, Cover | | |
| 5 | 1 | 828-011-192 | Power Amp Lift, Installation (See 503) | | |
| | 1 | 1018074 | Power Amp Lift, Installation (See 503) | | |
| 6 | 1 | 828-011-259/001 | Power Amp Traction, Installation (See 504) | | B |
| | 1 | 828-011-259/002 | Power Amp Traction, Installation (See 504) | | C |
| | 1 | 828-013-942/002 | Power Amp Traction, Installation (See 504) | | |
| | 1 | 1018075/002 | Power Amp Assembly, Traction (See 504) | | |
| 7 | 1 | 828-011-204 | Cover, Fan | | |
| | 1 | 1010342 | Cover, Fan | | |
| 9 | 1 | 828-011-223/001 | Harness, Wiring, Main, Standard | | |
| | 1 | 828-013-665/001 | Harness, Wiring, Main, Standard | | |
| | 1 | 828-011-223/002 | Harness, Wiring, Main, Cold Storage | | A |
| | 1 | 828-013-665/002 | Harness, Wiring, Main, Cold Storage | | A |
| 10 | 1 | 828-011-245/003 | Harness, Cable Assembly, Traction (TA-U To TM-U/ JT2, JT3, JB3 To PS10/ TA-V To TM-V/ TA-W To TM-W/ and Motor Brake) (See 501 Items 66 Thru 73) | | |
| | 1 | 1052344/003 | Harness, Cable Assembly (TA-U To TM-U/ JT2, JT3, JB3 To PS10/ TA-V To TM-V/ TA-W To TM-W/ and Motor Brake) (See 501 Items 66 Thru 73) | | |
| | 1 | 828-011-245/004 | Harness, Cable Assembly, Traction (TA-U To TM-U/ JT2, JT3, JB3 To PS10/ TA-V To TM-V/ TA-W To TM-W/ and Motor Brake) (See 501 Items 66 Thru 73) | | A |
| | 1 | 828-013-548/004 | Harness, Cable Assembly (TA-U To TM-U/ JT2, JT3, JB3 To PS10/ TA-V To TM-V/ TA-W To TM-W/ and Motor Brake) (See 501 Items 66 Thru 73) | | |
| | 1 | 1052344/004 | Harness, Cable Assembly (TA-U To TM-U/ JT2, JT3, JB3 To PS10/ TA-V To TM-V/ TA-W To TM-W/ and Motor Brake) (See 501 Items 66 Thru 73) | | A |
| 11 | 1 | 828-011-246/002 | Cable Assembly (LA-(B+) To LPC-2) | | |
| | 1 | 828-013-533/001 | Cable Assembly (LA-W to LM-W) | | |
| 12 | 1 | 828-011-246/004 | Cable Assembly (LA-(B-) To TP4) | | |
| | 1 | 828-013-533/003 | Cable Assembly (LA-V To LM-V) | | |
| 13 | 1 | 828-011-246/006 | Cable Assembly (LA-(B+) To LPC-2) | | |
| | 1 | 828-013-533/005 | Cable Assembly (LA-U to LM-U) | | |

A = Cold Storage & EE

B = 18 in. Battery Compartment

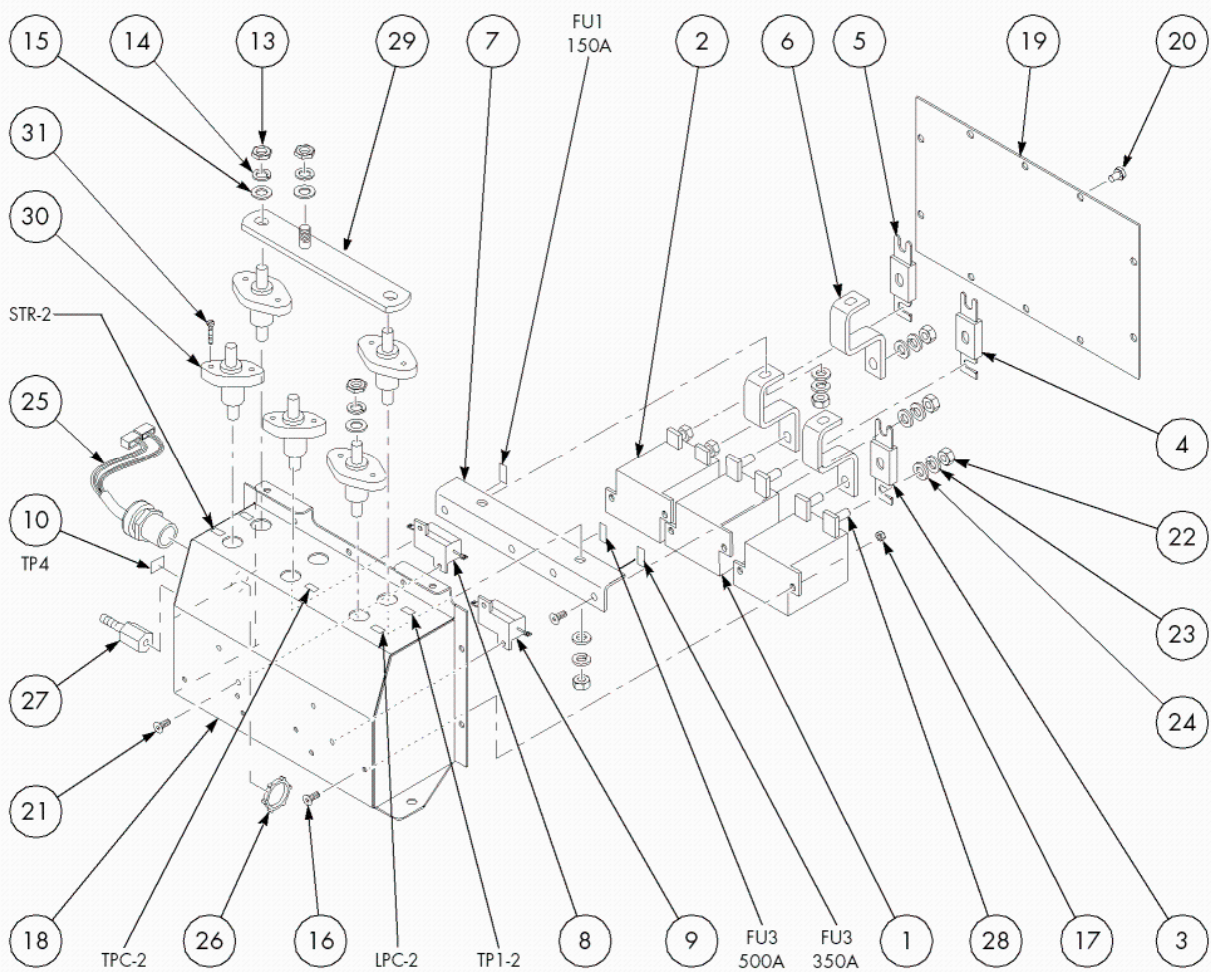
C = 21 in. Battery Compartment

Service Type C = Critical Part

Service Type H = Hardware

Contactor Panel Assembly, Cold Storage

Figure 5-6: Contactor Panel Assembly, Cold Storage



Dash Bracket Assembly

List 5-10: Dash Bracket Assembly

| FIGURE 5-10 ITEM NO. | QTY | PART NUMBER | DESCRIPTION | SERVICE TYPE | USED ON |
|-------------------------|-----|-----------------|---|-----------------|------------|
| | | | Dash Bracket Assembly | | |
| | | 828-013-562 | Dash Bracket Assembly | | |
| 1 | 1 | 828-013-542/001 | Bracket, Weldment | | |
| | 1 | 828-011-040/001 | Bracket, Weldment | | A |
| | 1 | 828-011-040/002 | Bracket, Weldment | | AC |
| | 1 | 828-011-040/003 | Bracket, Weldment | | AD |
| | 1 | 828-011-064/001 | Bracket, Weldment | | B |
| | 1 | 828-011-064/002 | Bracket, Weldment | | BE |
| 2 | 2 | 5-010-011 | Screw, Pan | H | |
| 3 | 1 | 1-030-017 | Strip, Terminal | | |
| 4 | 2 | 1-030-018 | Insulator, Terminal Strip | | |
| 5 | 1 | 828-003-947 | Bracket, On Board Terminal | | |
| 6 | 1 | 1-030-001 | Terminal Strip | | |
| 7 | 1 | 1-030-002 | Insulator, Terminal Strip | | |
| 8 | 1 | 412-817 | Decal, 10 Amp Fuse | | |
| 9 | 1 | 412-746 | Decal, 15 Amp | | |
| 10 | 2 | 701-066 | Screw | H | |
| 11 | 2 | 701-087 | Screw, Machine, Round Head | H | |
| 12 | 4 | 5-001-006 | Screw | H | |
| 13 | 4 | 774-107 | Washer, Locking (Used W/ Item 10) (Not Shown) | H | |

A = EZ

B = DZ

C = Use with RF Terminals Texlogic, Intermec, Telxon

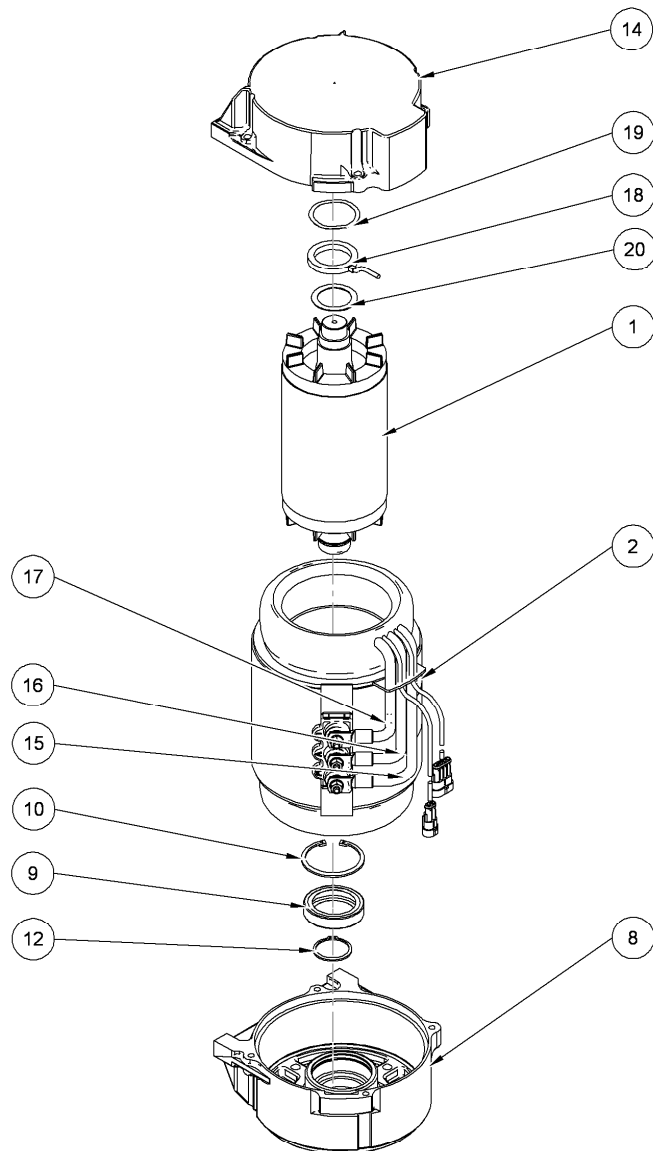
D = Use with RF Terminals LXE

E = SMARTi

Service Type H = Hardware

Lift Motor, AC

Figure 5-12A.a: Lift Motor, AC



SECTION 6 Hydraulic Components

| | |
|--|------|
| Hydraulic Lines Installation, Fore/Aft Stance | 6-2 |
| Hose Lines Installation, Fore/Aft Stance | 6-9 |
| Hydraulic Lines Installation, Dockstance | 6-12 |
| Hose Lines Installation, Dockstance | 6-19 |
| Reservoir Assembly | 6-21 |
| Lift Hose Installation, Fore/Aft and Dockstance | 6-23 |
| Manifold Installation | 6-25 |
| Manifold Sub Assembly | 6-27 |
| Manifold Assembly | 6-31 |
| Lift Pump and Motor Assembly | 6-34 |
| Steer Motor Installation, Fore/Aft Stance | 6-36 |
| Steer Pump & Motor Assembly | 6-38 |
| Auxiliary Pump and Motor Assembly | 6-40 |
| Lift Cylinder Assembly Front (All TT Except R45TT-MB & DR30TT-B) | 6-42 |
| Lift Cylinder Assembly-Back (All TT Except R45TT-MB & DR30TT-B) | 6-44 |
| Lift Cylinder Assembly, Front (R45TT-MB & DR30TT-B) | 6-46 |
| Lift Cylinder Assembly, Back (R45TT-MB & DR30TT-B) | 6-50 |
| Reach Cylinder Assembly (Single Reach) | 6-54 |
| Reach Cylinder Assembly (Deep Reach) | 6-56 |
| Sideshift Cylinder Assembly | 6-58 |
| Power Tilt Cylinder Assembly, Reach | 6-60 |
| Cylinder Assembly, Sideshift | 6-62 |

EASi Reach-Fork® Truck - Models EZ-C, EZ-CD - Hydraulic Components

Hose Lines Installation, Fore/Aft Stance

List 6-1A: Hose Lines Installation, Fore/Aft Stance

| FIGURE 6-1A ITEM NO. | QTY | PART NUMBER | DESCRIPTION | SERVICE TYPE | USED ON |
|-------------------------|-----|-----------------|---|-----------------|------------|
| | | | Hose Lines Installation, Fore/Aft Stance | | |
| 1 | 4 | 811-925-005 | Clamp, Hose | | |
| 4 | 1 | 1102930 | Hose Assembly, Manifold CYL-1 and Tee to Bulkhead | | B |
| | 1 | 1103046 | Hose Assembly, Manifold CYL-1 and Tee to Bulkhead | | A |
| 5 | 1 | 1132797-001 | Hose Assembly | | |
| 7 | 1 | 1034926 | Hose, Suction, Lift Pump to Reservoir | | |
| 8 | 1 | 1035734 | Hose, Auxiliary Reservoir, to Reservoir | | |
| 9 | 1 | 1046018 | Hose, Return, Manifold Tank to Reservoir | | |
| 10 | 1 | 114-006-620 | Plug, Mechanical | | |
| 11 | AR | 611-029 | Tie, Cable | | |
| 12 | 2 | 811-926 | Clamp, Hose | | |
| 13 | 1 | 828-005-705-003 | Hose, Low Pressure | | |
| 14 | 1 | 611-044 | Mount, Strap | | |
| 15 | 2 | 811-921 | Clamp, Hose | | |
| 16 | 1 | 5-001-061 | Screw, Hex Head, Cap | H | B |
| | 2 | 1103976 | Elbow, Straight, Threaded, 45 | | A |
| 17 | 1 | 5-016-004 | Nut, Hex, Nylon, Locking | | B |
| | 1 | 1103977 | Valve, Flow Regulator | R | A |
| 18 | 1 | 1103976 | Elbow, Straight, Threaded, 45 | | |
| 19 | 1 | 1103977 | Valve, Flow Regulator | R | |
| 20 | 1 | 1104389 | Clamp, Hose | | |

A = 18 in. Battery Compartment

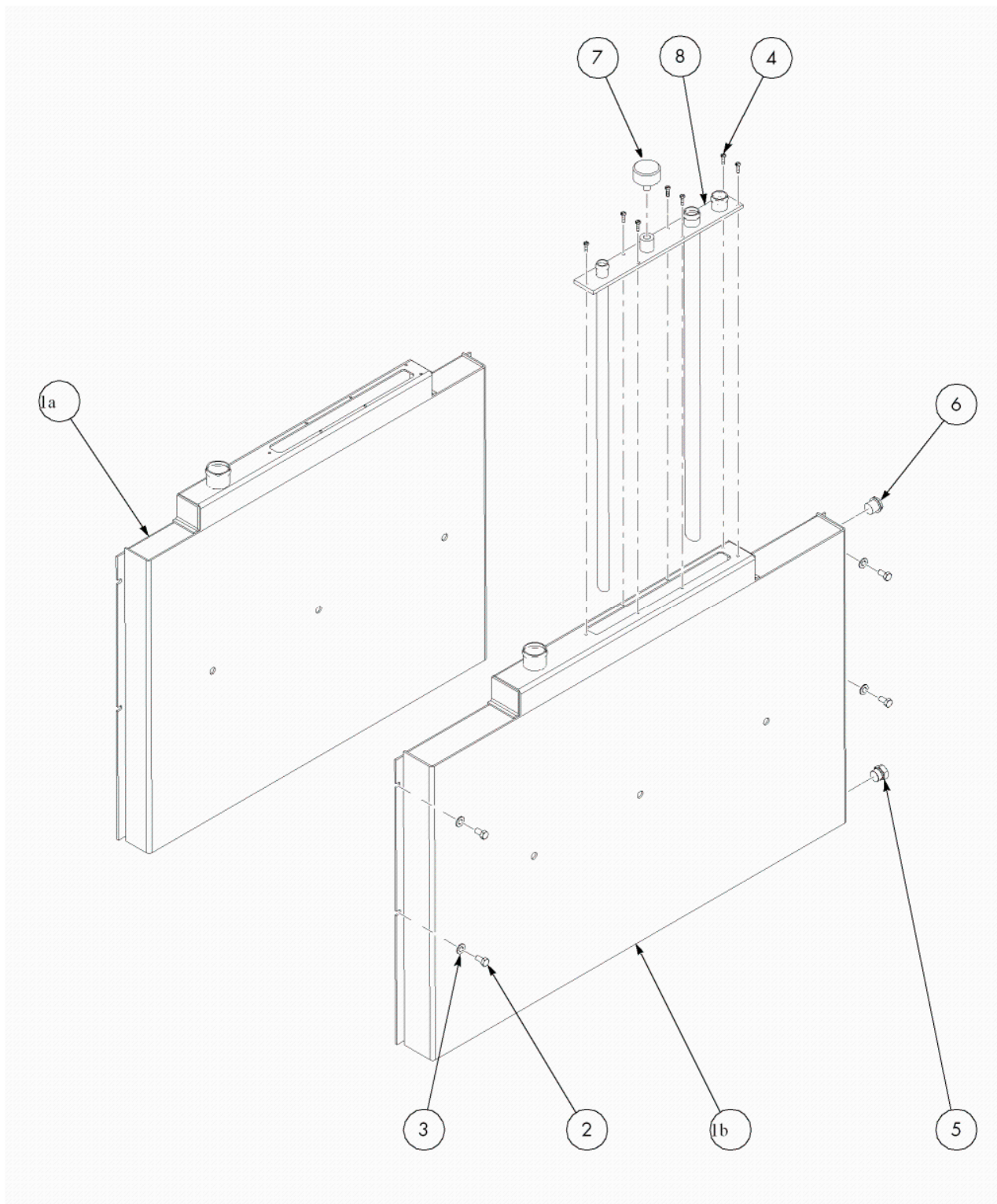
B = 21 in. Battery Compartment

Service Type R = Recommended Spare

Service Type H = Hardware

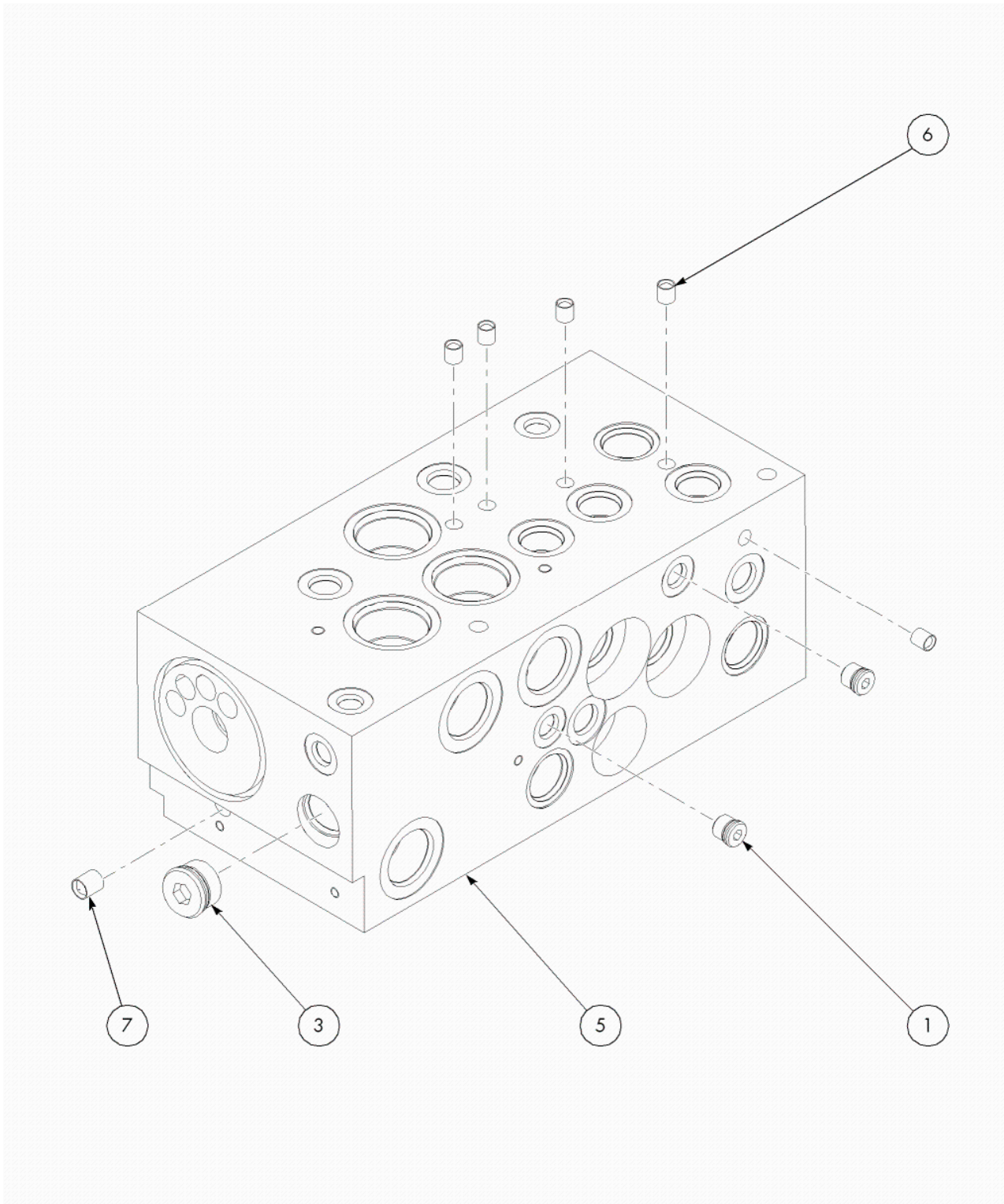
Reservoir Assembly

Figure 6-3: Reservoir Assembly



Manifold Assembly

Figure 6-7.a: Manifold Assembly



EASi Reach-Fork® Truck - Models EZ-C, EZ-CD - Hydraulic Components

Auxiliary Pump and Motor Assembly

List 6-11: Auxiliary Pump and Motor Assembly

| FIGURE 6-11 ITEM NO. | QTY | PART NUMBER | DESCRIPTION | SERVICE TYPE | USED ON |
|-------------------------|-----|-------------|--------------------------------------|-----------------|------------|
| | | | Auxiliary Pump and Motor Assembly | | |
| | | 828-006-931 | Auxiliary Motor and Pump Assembly | | |
| | | 828-006-945 | Auxiliary Pump and Motor Assembly | | |
| 1 | 1 | 570-379/451 | Motor, Auxiliary 36V (See 513) | C | |
| 2 | 1 | 500-486 | Pump, Auxiliary | C | |
| 3 | 1 | 792-311 | Fitting, Hose, Auxiliary Pump Outlet | | |
| | 1 | 792-446 | Fitting, Hydraulic | | |
| 4 | 1 | 802-025/005 | Fitting, Hose, Auxiliary Pump Inlet | | |
| | 1 | 792-550 | Fitting, Elbow (45 Degrees) | | |
| 5 | 2 | 5-001-009 | Screw, Shoulder | H | |
| 6 | 2 | 5-018-006 | Washer, Flat | H | |
| 7 | 2 | 710-071 | Screw | H | |
| | 2 | 710-074 | Screw, Cap, Hex Head | H | |
| 8 | 2 | 771-119 | Washer | H | |
| 9 | 2 | 761-935/002 | Nut, Flange | H | |
| 10 | 1 | 828-009-285 | Tube, Elbow, Beaded (Not Shown) | | |
| 11 | 1 | 500-461/01 | Kit, Seal (Not Shown) | R | |
| 12 | 1 | 560-205/120 | Kit, Coupling, Flexible (Not Shown) | R | |

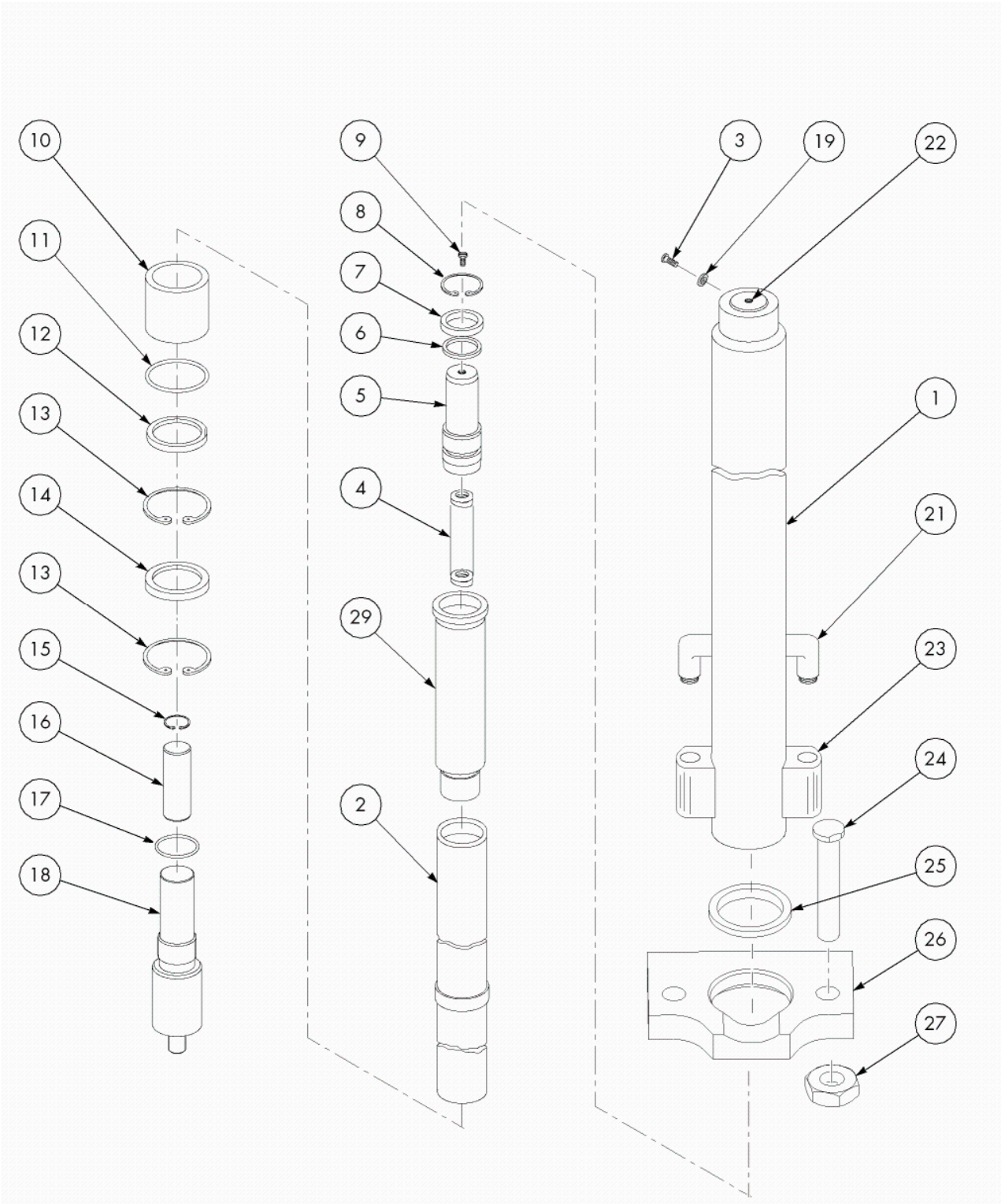
Service Type R = Recommended Spare

Service Type C = Critical Part

Service Type H = Hardware

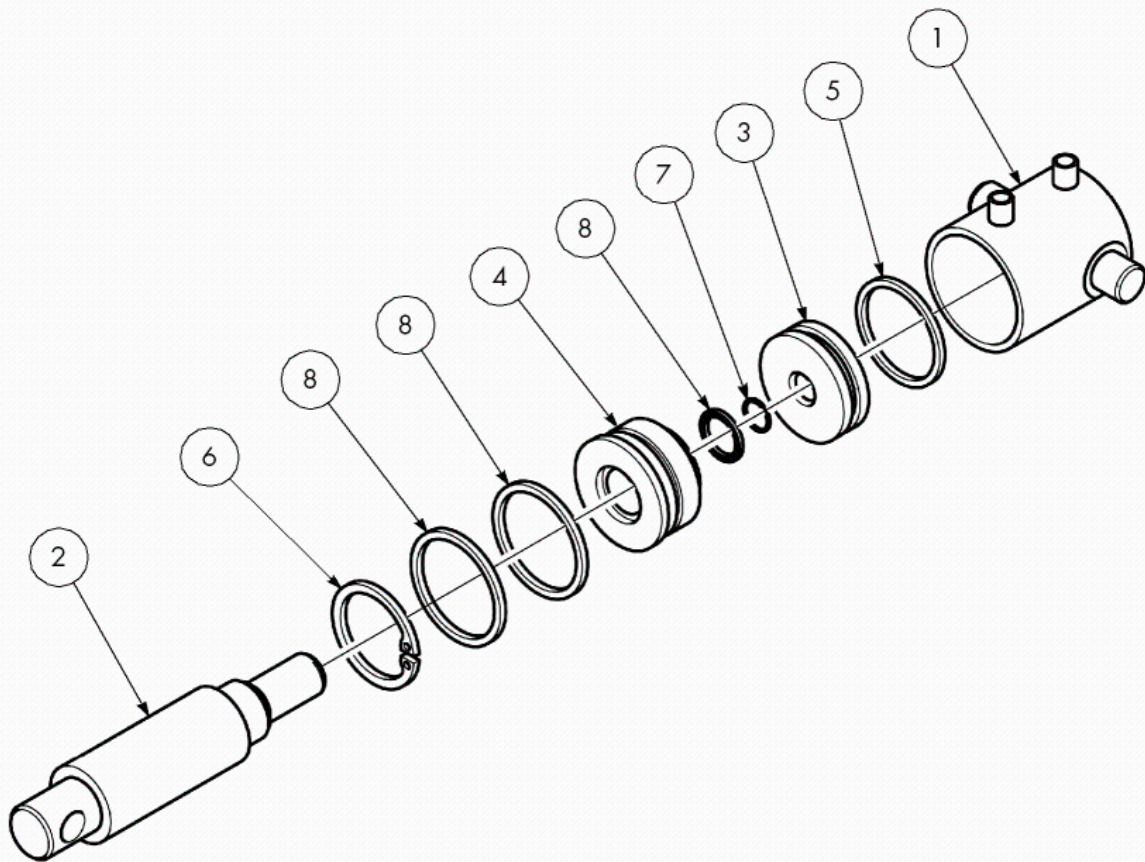
Lift Cylinder Assembly, Back (R45TT-MB & DR30TT-B)

Figure 6-15: Lift Cylinder Assembly, Back (R45TT-MB & DR30TT-B)



Power Tilt Cylinder Assembly, Reach

Figure 6-19: Power Tilt Cylinder Assembly, Reach



EASi Reach-Fork® Truck - Models EZ-C, EZ-CD - Mast

Elevating Section, 3000/3500 lb., TT

List 7-1: Elevating Section, 3000/3500 lb., TT (Sheet 3 of 3)

| FIGURE 7-1 ITEM NO. | QTY | PART NUMBER | DESCRIPTION | SERVICE TYPE | USED ON |
|------------------------|-----|-------------|---|-----------------|------------|
| 76 | 4 | 710-129 | Screw | H | |
| 81 | AR | 828-006-437 | Ring, Adapter (2 Used For Floor Lowered Height) | | |
| 82 | 2 | 828-009-253 | Anchor, Custom | | |
| 83 | 2 | 771-027 | Washer, Flat | H | |
| 84 | 2 | 760-243 | Nut, Lock | H | |
| 85 | 2 | 792-360 | Connector, Hydraulic | | |
| 88 | 2 | 828-013-053 | Sleeve, Roller Stud | | |

Service Type R = Recommended Spare

Service Type C = Critical Part

Service Type H = Hardware

CLICK HERE TO **DOWNLOAD** THE COMPLETE MANUAL

- Thank you very much for reading the preview of the manual.
- You can download the complete manual from: www.heydownloads.com by clicking the link below



- Please note: If there is no response to CLICKING the link, please download this PDF first and then click on it.

CLICK HERE TO **DOWNLOAD** THE COMPLETE MANUAL

EASi Reach-Fork® Truck - Models EZ-C, EZ-CD - Mast

Elevating Section, R40TT/R45TT

List 7-3: Elevating Section, R40TT/R45TT (Sheet 1 of 3)

| FIGURE 7-3 ITEM NO. | QTY | PART NUMBER | DESCRIPTION | SERVICE TYPE | USED ON |
|------------------------|-----|-----------------|--|-----------------|------------|
| | | | Elevating Section, R40TT/R45TT | | |
| 1 | 1 | 828-003-560/002 | Bracket Assembly, Pulley, Left-Hand (See 706) | | |
| 3 | AR | 771-025 | Washer, Flat | H | |
| 4 | 2 | 715-038 | Screw | H | |
| 5 | AR | 828-005-488 | Spacer, Ram Ring | | |
| 6 | 1 | 828-006-819 | Bracket Weldment, Cylinder (Diving Board) | | |
| 7 | 4 | 710-246 | Screw | H | |
| 8 | 4 | 771-164/002 | Washer, Flat | H | |
| 9 | AR | 828-006-437 | Ring, Adapter (2 Used For Floor Lowered Height) | | |
| 10 | 1 | 828-009-263 | Lift Cylinder Assembly Front (All TT Except R45TT-MB & DR30TT-B) | C | |
| 11 | 1 | 828-009-262 | Lift Cylinder Assembly-Back (All TT Except R45TT-MB & DR30TT-B) | C | |
| 12 | 1 | 828-009-256 | Plate, Pivot Support (Not Shown) | | |
| 13 | 1 | 828-009-260 | Ring, Pivot | | |
| 14 | 2 | 760-141 | Nut, Hex, Flex Lock | H | |
| 15 | AR | 771-054 | Washer, Flat (Not Shown) | H | |
| 16 | 2 | 771-125 | Washer, Flat | H | |
| 17 | 2 | 710-259 | Screw | H | |
| 18 | 2 | 750-034 | Nut | H | |
| 19 | 2 | 625-001-523 | Stop Assembly, Mast (See 711) | | |
| 20 | 2 | 710-258 | Screw | H | |
| 21 | 2 | 760-034 | Nut, Lock | H | |
| 22 | 1 | 828-009-842 | Frame Weldment, Main (Contact Technical Support) (Not Shown) | | |
| 23 | 2 | 828-000-985/002 | Stop Assembly (R45TT and DR32TT) (See 710) | | |
| 24 | 2 | 714-157 | Screw | H | |
| 25 | 2 | 828-000-501 | Anchor | | |
| 26 | 2 | 828-005-178/002 | Chain Anchor, Free Lift (7.50 in. Length) | | |
| 27 | 2 | 760-054 | Nut | H | |
| 28 | 2 | 624-002-130 | Sleeve, Roller, Stud | | |
| 29 | 4 | 623-017-000 | Bearing Machining, Stud | R | |
| | 2 | 828-013-075 | Bearing, Machining, Stud | R | |
| 30 | 2 | 714-296 | Screw | H | |
| 31 | 1 | 828-009-521 | Telescopic Weldment, Inner (Contact Technical Support) | | |
| 32 | 14 | 449-032 | Bearing, Mast, Roller | R | |

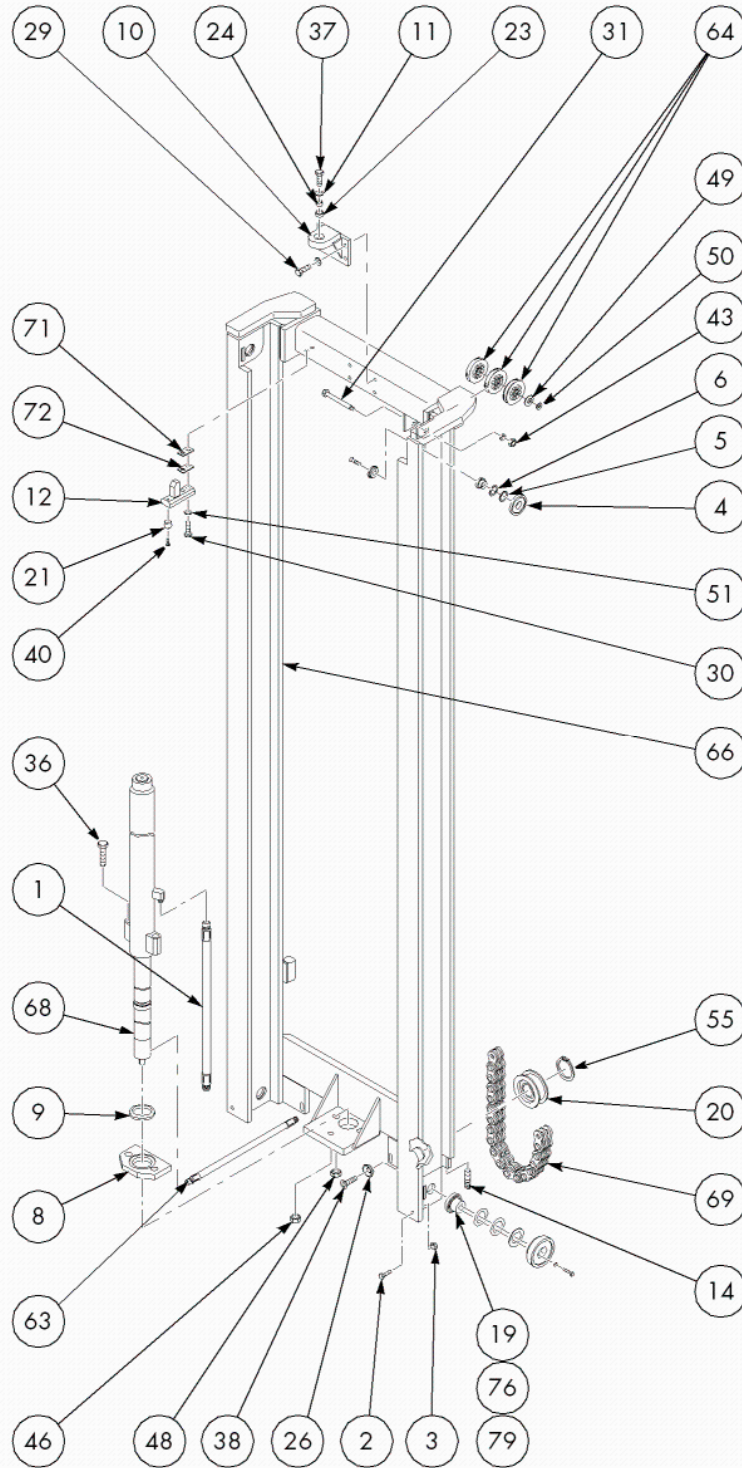
Service Type R = Recommended Spare

Service Type C = Critical Part

Service Type H = Hardware

Elevating Section (R45TT-MB/ DR30TT-B, Extended Height)

Figure 7-5.b: Elevating Section (R45TT-MB/ DR30TT-B, Extended Height)



Chain Switch Assembly

List 7-8: Chain Switch Assembly

| FIGURE 7-8 ITEM NO. | QTY | PART NUMBER | DESCRIPTION | SERVICE TYPE | USED ON |
|------------------------|-----|-----------------|--|-----------------|------------|
| | | | Chain Switch Assembly | | |
| 1 | 1 | 828-011-174 | Bracket Assembly, Switch (Includes Items 2 Thru 9) | | |
| 2 | 1 | 114-008-762 | Lever | | |
| 3 | 1 | 114-010-760 | Housing, Inner | | |
| 4 | 1 | 114-010-761 | Housing, Outer | | |
| 5 | 1 | 828-011-078 | Plate, Nut | | |
| 6 | 1 | 828-011-173 | Bracket, Limit Switch | | |
| 7 | 1 | 828-011-108/001 | Switch and Cable Assembly (Includes:) | R | |
| | 1 | 1-150-357 | Switch | R | |
| 8 | 2 | 5-010-026 | Screw | H | |
| 9 | 2 | 5-018-005 | Washer, Flat | H | |
| 10 | 2 | 710-127 | Screw | H | |
| | 2 | 710-137 | Screw | H | |
| 11 | 3 | 771-023 | Washer, Flat | H | |
| 12 | AR | 611-029 | Tie, Cable | | |
| 13 | 1 | 828-011-170/001 | Cover Weldment | | A |
| | 1 | 828-011-170/002 | Cover Weldment | | B |
| 14 | 1 | 710-128 | Screw | H | |
| | 1 | 710-133 | Screw | H | |

A = R40/45TT, R45TT-M

B = DR30TT, DR30TT-B and R45TT-MB

Service Type R = Recommended Spare

Service Type H = Hardware

EASi Reach-Fork® Truck - Models EZ-C, EZ-CD - Mast

Carriage Assembly, Reach

List 7-12: Carriage Assembly, Reach (Sheet 3 of 3)

| FIGURE 7-12 ITEM NO. | QTY | PART NUMBER | DESCRIPTION | SERVICE TYPE | USED ON |
|-------------------------|-----|-------------|---|-----------------|------------|
| 48 | 4 | 772-016 | Washer, Lock | H | |
| 50 | 1 | 810-722 | Pin, Spirol, Cap (Not Shown) | | |
| 51 | 2 | 828-001-523 | Bumper, Fixed Carriage, Lower (Not Shown) | R | |
| 52 | 2 | 714-142 | Screw (Not Shown) | H | |

A = R40TT

C = R30TT

D = R45TT-MB, Extended Height

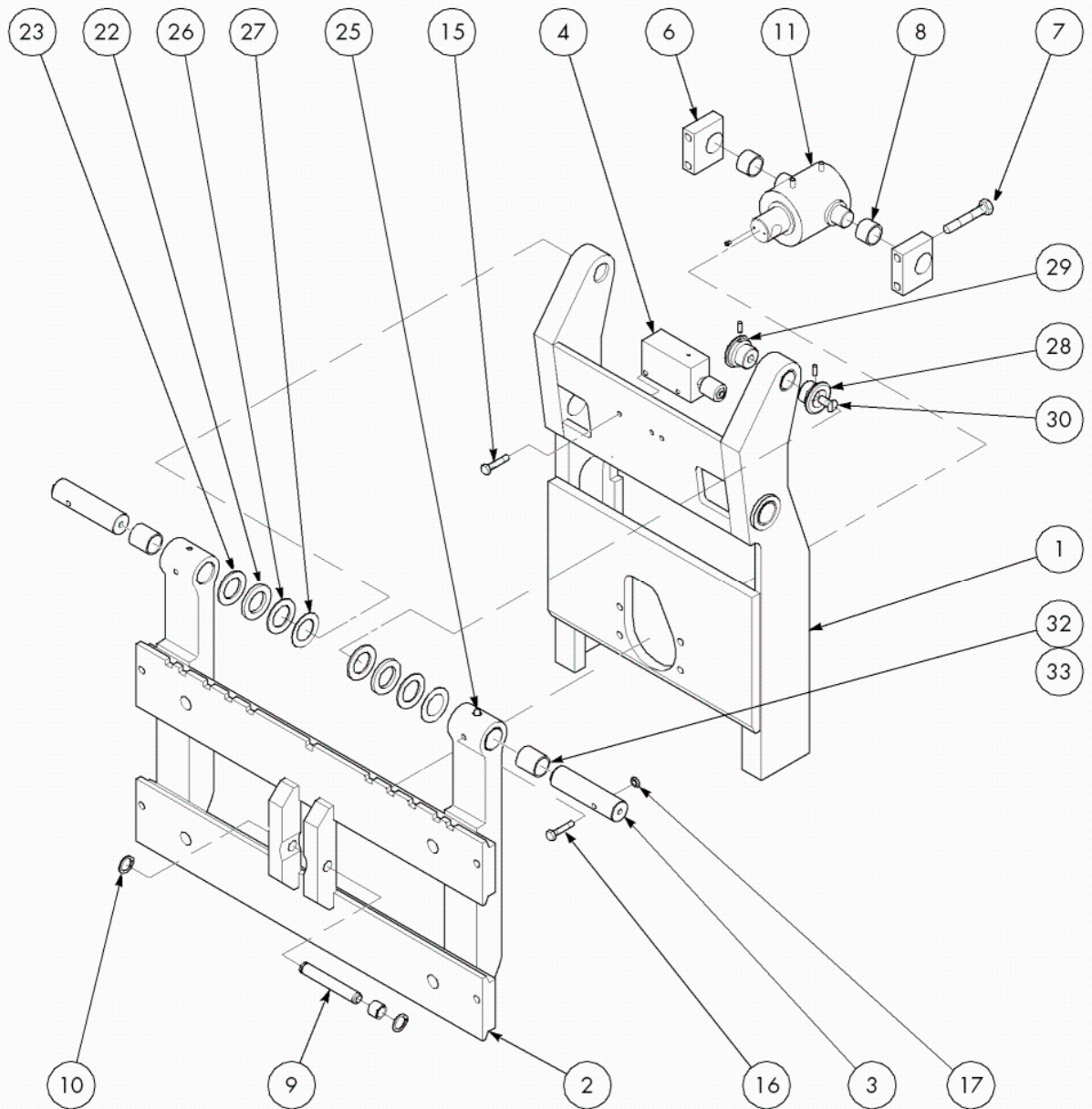
Service Type R = Recommended Spare

Service Type C = Critical Part

Service Type H = Hardware

Fork Carriage Assembly, Reach With Power Tilt

Figure 7-16.b: Fork Carriage Assembly, Reach With Power Tilt



Models - DR25/DR30TT

EASi Reach-Fork® Truck - Models EZ-C, EZ-CD - Mast

Fork Carriage Assembly With Integral Sideshift

List 7-17A: Fork Carriage Assembly With Integral Sideshift (Sheet 1 of 2)

| FIGURE 7-17A ITEM NO. | QTY | PART NUMBER | DESCRIPTION | SERVICE TYPE | USED ON |
|-----------------------|-----|-----------------|--|--------------|---------|
| | | | Fork Carriage Assembly With Integral Sideshift | | |
| | | 1025303 | Carriage Assembly | | |
| | | 1093445/001 | Fork Carriage Assembly (2 in.) | | |
| | | 1093445/002 | Fork Carriage Assembly (4 in.) | | |
| 1 | 2 | 460-476 | Bearing, Sleeve, Oil Impregnated | R | |
| 2 | 1 | 520-916 | Solenoid Valve Assembly, Sideshift (See 719) | R | |
| 3 | 1 | 540-084/400 | Cylinder, Power Tilt Assembly (See 619) | C | |
| 4 | 2 | 710-069 | Screw, Hex Head, Cap | H | |
| 5 | 4 | 710-261 | Screw | H | |
| | 4 | 710-269 | Screw (Deep Reach) | H | |
| 6 | 4 | 715-087 | Screw, Nylock | H | |
| 7 | 2 | 810-132 | Ring, Retaining, Snap | | |
| 8 | 1 | 1037382/400 | Cylinder Assembly, 2 in. Sideshift (See 620) | C | |
| | 1 | 1037383/400 | Cylinder Assembly, 4 in. Sideshift (See 620) | C | |
| 10 | 2 | 5-001-045 | Screw | H | |
| 11 | 2 | 5-016-016 | Nut, Lock | H | |
| 12 | AR | 820-001-656 | Bumper, Carriage | R | |
| | 1 | 1103414 | Bumper, Carriage | R | |
| 13 | AR | 820-001-657 | Shim, Spacer (0.0625 in. Thick) | | |
| 14 | AR | 820-001-658 | Shim, Spacer (0.125 in. Thick) | | |
| 15 | AR | 820-002-283 | Shim, Spacer (0.03 in. Thick) | | |
| 16 | AR | 828-005-141/001 | Shim (0.06 in. Thick) | | |
| 17 | AR | 828-005-141/002 | Shim (0.12 in. Thick) | | |
| 18 | AR | 828-005-141/003 | Shim (0.15 in. Thick) | | |
| 19 | AR | 828-005-141/004 | Shim (0.25 in. Thick) | | |
| 20 | 2 | 828-006-338 | Bracket, Cylinder, Mounting | | |
| | 2 | 828-006-339 | Bracket, Cylinder Mounting, Tilt (Deep Reach) | | |
| 21 | 2 | 1010121/002 | Shaft, Carriage (Deep Reach) | | |
| | 2 | 1010121/003 | Shaft | | |
| | 2 | 828-013-116/002 | Shaft | | |
| 24 | 1 | 1087322/001 | Frame Weldment, Carriage (Includes:) | | |
| | 2 | 460-488 | Bushing | R | |
| | 1 | 1015661 | Frame Weldment, Carriage (Includes:) | | |
| | 2 | 460-605 | Bushing, Bearing | R | |
| 25 | 1 | 1015826 | Frame Weldment, Carriage, MB, Mast | | |
| 26 | 2 | 1017291 | Pin | | |

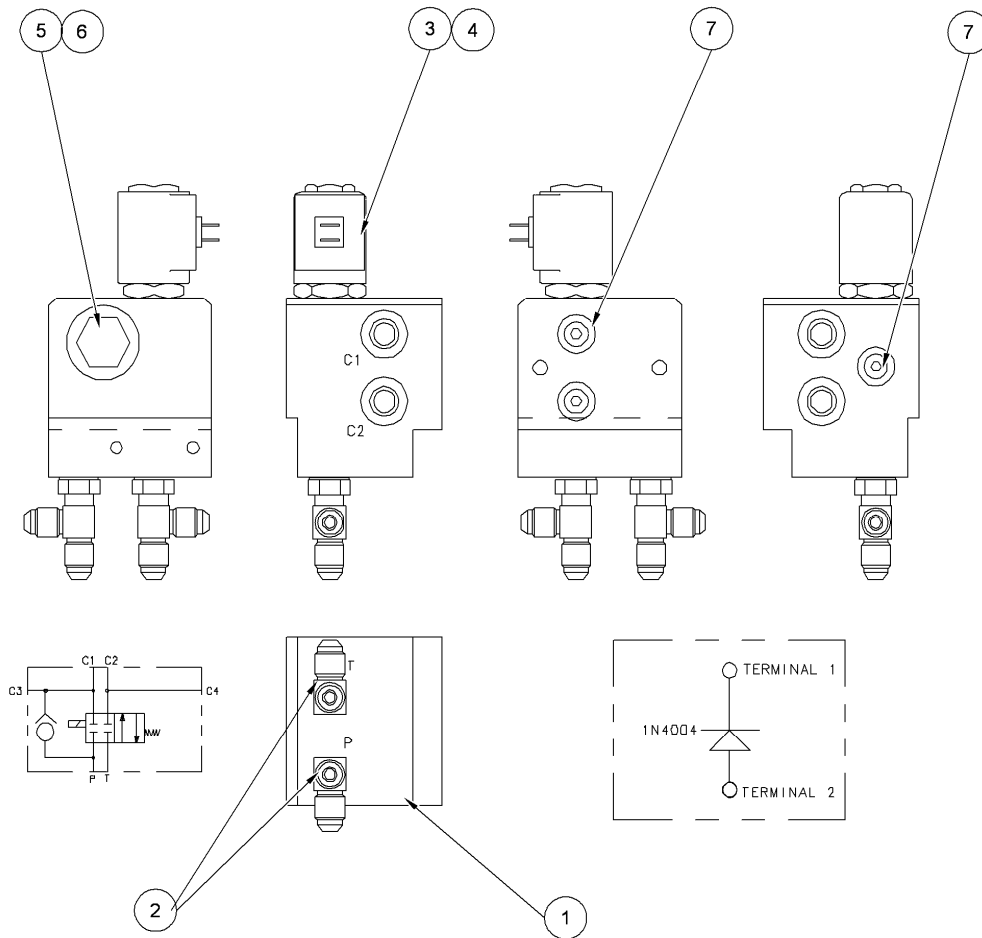
Service Type R = Recommended Spare

Service Type C = Critical Part

Service Type H = Hardware

Valve Assembly, Solenoid, Single Reach Truck

Figure 7-20B: Valve Assembly, Solenoid, Single Reach Truck



EASi Reach-Fork® Truck - Models EZ-C, EZ-CD - Mast

Carriage Piping - Reach

List 7-23: Carriage Piping - Reach

| FIGURE 7-23 ITEM NO. | QTY | PART NUMBER | DESCRIPTION | SERVICE TYPE | USED ON |
|-------------------------|-----|-----------------|---|-----------------|------------|
| | | | Carriage Piping - Reach | | |
| | | 1025993 | Carriage Piping - Reach (W/ Sideshift) | | |
| | | 828-006-860/001 | Carriage Piping - Reach (W/O Sideshift) | | A |
| | | 828-006-860/002 | Carriage Piping - Reach (W/ Sideshift) | | B |
| 1 | 2 | 792-509 | Fitting, Elbow | | |
| 2 | 6 | 792-503 | Fitting, Straight | | |
| 4 | 1 | 1017737/001 | Hose Assembly, Sideshift | | B |
| | 1 | P31-704-023/586 | Hose Assembly, Hydraulic, Sideshift | | B |
| | 1 | 1017736/005 | Hose Assembly, Sideshift | | B |
| 6 | 1 | 1017737/002 | Hose Assembly, Sideshift | | B |
| | 1 | 1017737/006 | Hose Assembly, Sideshift | | B |
| | 1 | 1017737/009 | Hose Assembly, Sideshift | | B |
| | 1 | P31-704-025/086 | Hose Assembly, Sideshift | | B |
| | 1 | 1017736/009 | Hose Assembly, Sideshift | | B |
| | 1 | 1017736/006 | Hose Assembly, Sideshift | | |
| 7 | 1 | P31-504-017/012 | Hose Assembly, Tilt | | B |
| 8 | 1 | P31-504-016/007 | Hose Assembly, Hydraulic, Tilt | | B |
| | 2 | 1017736/007 | Hose Assembly, Tilt | | |

A = Power Tilt Only (Item 8 uses 2 hoses for tilt and 1 for sideshift)

B = Power Tilt and Sideshift

EASi Reach-Fork® Truck - Models EZ-C, EZ-CD - Mast

Wheel Plate Installation-Straddle Style

List 7-28: Wheel Plate Installation-Straddle Style (Sheet 1 of 3)

| FIGURE 7-28 ITEM NO. | QTY | PART NUMBER | DESCRIPTION | SERVICE TYPE | USED ON |
|-------------------------|-----|-----------------|--|-----------------|------------|
| | | | Wheel Plate Installation-Straddle Style | | |
| | | 1014801 | Load Wheel, Assembly | | |
| | | 828-009-575 | Kit, Plate Weldment | | |
| | | 828-013-439 | Kit, Wheel Plate, 5 X 2.88 | | |
| 1 | 2 | 623-010-354 | Load Wheel Assembly (Uses Items 2 and 3) | | DE |
| | 2 | 623-010-354/107 | Wheel, Load Assembly (Uses Items 2 and 3) | | |
| | 2 | 623-010-352 | Load Wheel Assembly (Uses Items 2 and 3) | | B |
| 2 | 1 | 441-127 | Bearing, Shielded | R | ABC |
| | 1 | 441-130 | Bearing | R | D |
| 3 | 1 | 632-031/007 | Wheel, Load | R | AE |
| | 1 | 632-032/007 | Wheel, Load (Tan) | R | CE |
| | 1 | 632-043/107 | Wheel, Load | R | BE |
| | 1 | 632-043/007 | Wheel, Load | R | BE |
| | 1 | 632-052/007 | Wheel, Load | R | DE |
| | 1 | 632-052/107 | Wheel, Load | R | |
| | 1 | 632-052/008 | Wheel, Load | | |
| 4 | 2 | 623-010-139 | Spacer | | AC |
| | 2 | 1031101 | Spacer | | D |
| | 2 | 623-010-108 | Spacer | | D |
| 5 | 2 | 828-008-202 | Plate, Carrier | | AC |
| | 2 | 623-010-154 | Plate, Carrier | | B |
| | 2 | 828-008-204 | Plate, Carrier | | D |
| | 2 | 828-008-205 | Plate, Carrier (Snap Ring Side) | | |
| 6 | 2 | 623-010-138/001 | Axle Assembly | | AB |
| | 2 | 623-010-138/002 | Axle Assembly (Includes Item 8) | | CD |
| | 2 | 1014759/001 | Axle, Load Wheel | | AB |
| | 2 | 1014759/002 | Axle, Load Wheel | | CD |
| | 2 | 828-008-201 | Axle, Load Wheel | | |
| 8 | 1 | 841-111 | Fitting, Grease, Flush Mount | | |
| 9 | 1 | 828-009-553/001 | Plate Assembly, Outside, Right, 17.68 in. | | A |
| | 1 | 828-013-440/001 | Plate Assembly, Outside, Right W/O Sideshift | | B |
| | 1 | 828-009-553/002 | Plate Assembly, Outside, Right, 19.43 in. | | A |

A = 4 in. x 2 7/8 in.

B = 5 in. x 2 7/8 in.

C = 4 in. x 3 5/8 in.

D = 5 in. x 3 5/8 in.

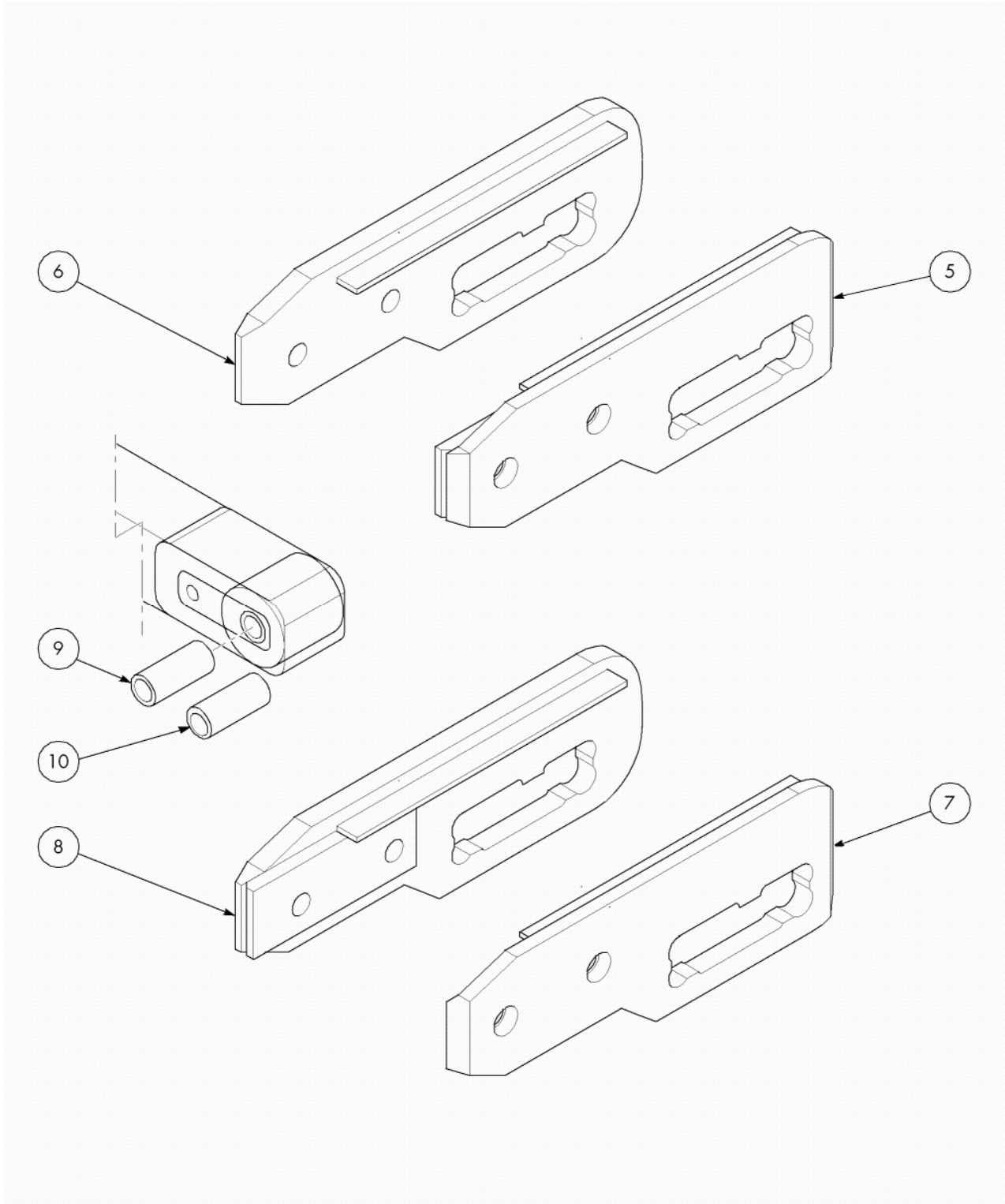
E = Also Available In /008 Compound

Service Type R = Recommended Spare

Service Type H = Hardware

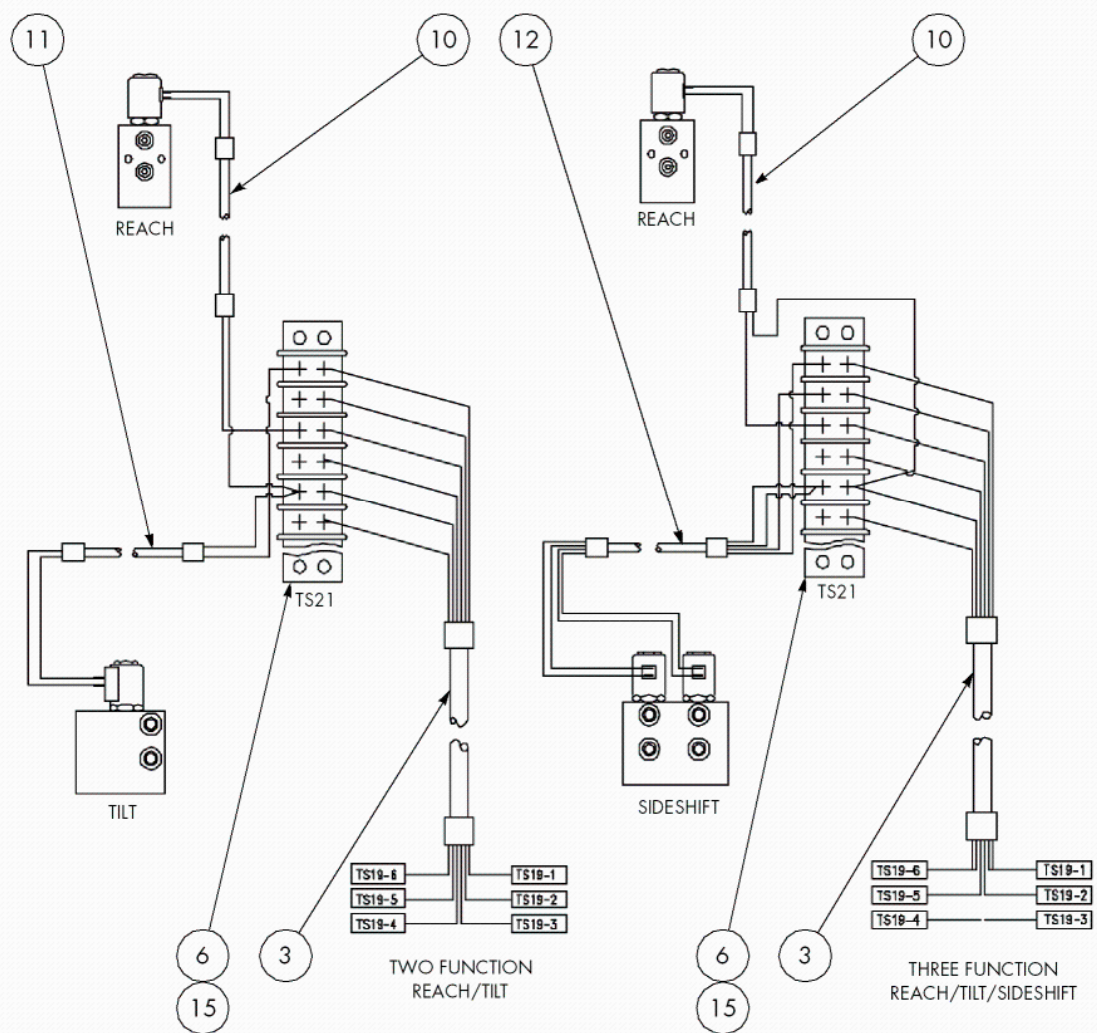
Wheel Guard Installation 5 X 3.62 in. and 5 X 2.88. in.

Figure 7-30: Wheel Guard Installation 5 X 3.62 in. and 5 X 2.88. in.



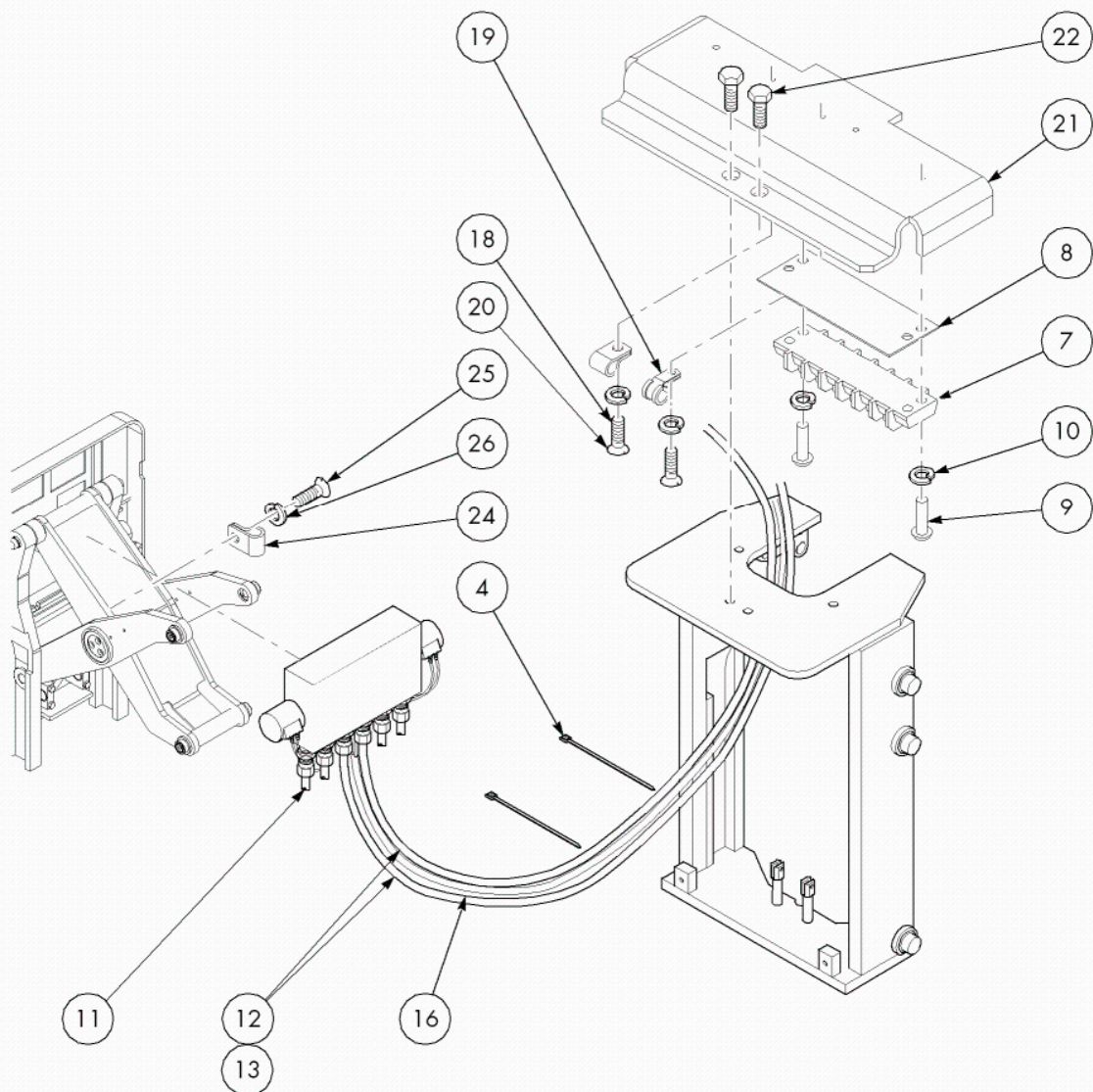
Over the Mast, Hose and Cable Installation, Reach, TT

Figure 7-33.d: Over the Mast, Hose and Cable Installation, Reach, TT



Hose and Cable Installation, R45TT-MB Extended Height, DR30TT-B

Figure 7-34.c: Hose and Cable Installation, R45TT-MB Extended Height, DR30TT-B



EASi Reach-Fork® Truck - Models EZ-C, EZ-CD - Mast

Hose Assembly, Over the Mast

List 7-35: Hose Assembly, Over the Mast (Sheet 8 of 11)

| FIGURE 7-35 ITEM NO. | QTY | PART NUMBER | DESCRIPTION | SERVICE TYPE | USED ON |
|-------------------------|-----|-----------------|------------------------------|-----------------|------------|
| | | 828-000-845/362 | Hose Assembly, Over the Mast | C | |
| | | 828-000-845/363 | Hose Assembly, Over the Mast | C | |
| | | 828-000-845/364 | Hose Assembly, Over the Mast | C | |
| | | 828-000-845/365 | Hose Assembly, Over the Mast | C | |
| | | 828-000-845/366 | Hose Assembly, Over the Mast | C | |
| | | 828-000-845/367 | Hose Assembly, Over the Mast | C | |
| | | 828-000-845/368 | Hose Assembly, Over the Mast | C | |
| | | 828-000-845/369 | Hose Assembly, Over the Mast | C | |
| | | 828-000-845/370 | Hose Assembly, Over the Mast | C | |
| | | 828-000-845/371 | Hose Assembly, Over the Mast | C | |
| | | 828-000-845/372 | Hose Assembly, Over the Mast | C | |
| | | 828-000-845/373 | Hose Assembly, Over the Mast | C | |
| | | 828-000-845/374 | Hose Assembly, Over the Mast | C | |
| | | 828-000-845/375 | Hose Assembly, Over the Mast | C | |
| | | 828-000-845/376 | Hose Assembly, Over the Mast | C | |
| | | 828-000-845/377 | Hose Assembly, Over the Mast | C | |
| | | 828-000-845/378 | Hose Assembly, Over the Mast | C | |
| | | 828-000-845/379 | Hose Assembly, Over the Mast | C | |
| | | 828-000-845/380 | Hose Assembly, Over the Mast | C | |
| | | 828-000-845/381 | Hose Assembly, Over the Mast | C | |
| | | 828-000-845/382 | Hose Assembly, Over the Mast | C | |
| | | 828-000-845/383 | Hose Assembly, Over the Mast | C | |
| | | 828-000-845/384 | Hose Assembly, Over the Mast | C | |
| | | 828-000-845/385 | Hose Assembly, Over the Mast | C | |
| | | 828-000-845/386 | Hose Assembly, Over the Mast | C | |
| | | 828-000-845/387 | Hose Assembly, Over the Mast | C | |
| | | 828-000-845/388 | Hose Assembly, Over the Mast | C | |
| | | 828-000-845/389 | Hose Assembly, Over the Mast | C | |
| | | 828-000-845/390 | Hose Assembly, Over the Mast | C | |
| | | 828-000-845/391 | Hose Assembly, Over the Mast | C | |
| | | 828-000-845/392 | Hose Assembly, Over the Mast | C | |
| | | 828-000-845/393 | Hose Assembly, Over the Mast | C | |
| | | 828-000-845/394 | Hose Assembly, Over the Mast | C | |
| | | 828-000-845/395 | Hose Assembly, Over the Mast | C | |
| | | 828-000-845/396 | Hose Assembly, Over the Mast | C | |
| | | 828-000-845/397 | Hose Assembly, Over the Mast | C | |
| | | 828-000-845/398 | Hose Assembly, Over the Mast | C | |

A = Suffix on Part Number is Cut Length of Hose

Service Type C = Critical Part

EASi Reach-Fork® Truck - Models EZ-C, EZ-CD - Mast

Lift Chain Installation and Assembly

List 7-38: Lift Chain Installation and Assembly

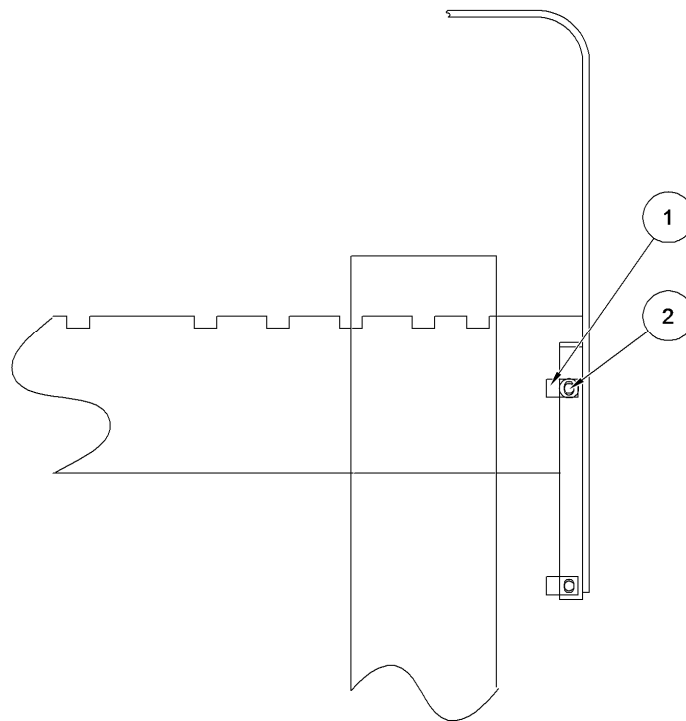
| FIGURE 7-38 ITEM NO. | QTY | PART NUMBER | DESCRIPTION | SERVICE TYPE | USED ON |
|-------------------------|-----|-------------|---|-----------------|------------|
| | | | Lift Chain Installation and Assembly | | |
| | | 632-001-022 | Lift Chain Assembly | C | |
| | | 812-002-873 | Lift Chain Assembly | C | |
| 1 | 2 | 681-847 | Chain Link, Leaf Chain | R | |
| 2 | AR | 681-031/100 | Chain, Leaf (Order by foot, min. 100 ft.) | C | |

Service Type R = Recommended Spare

Service Type C = Critical Part

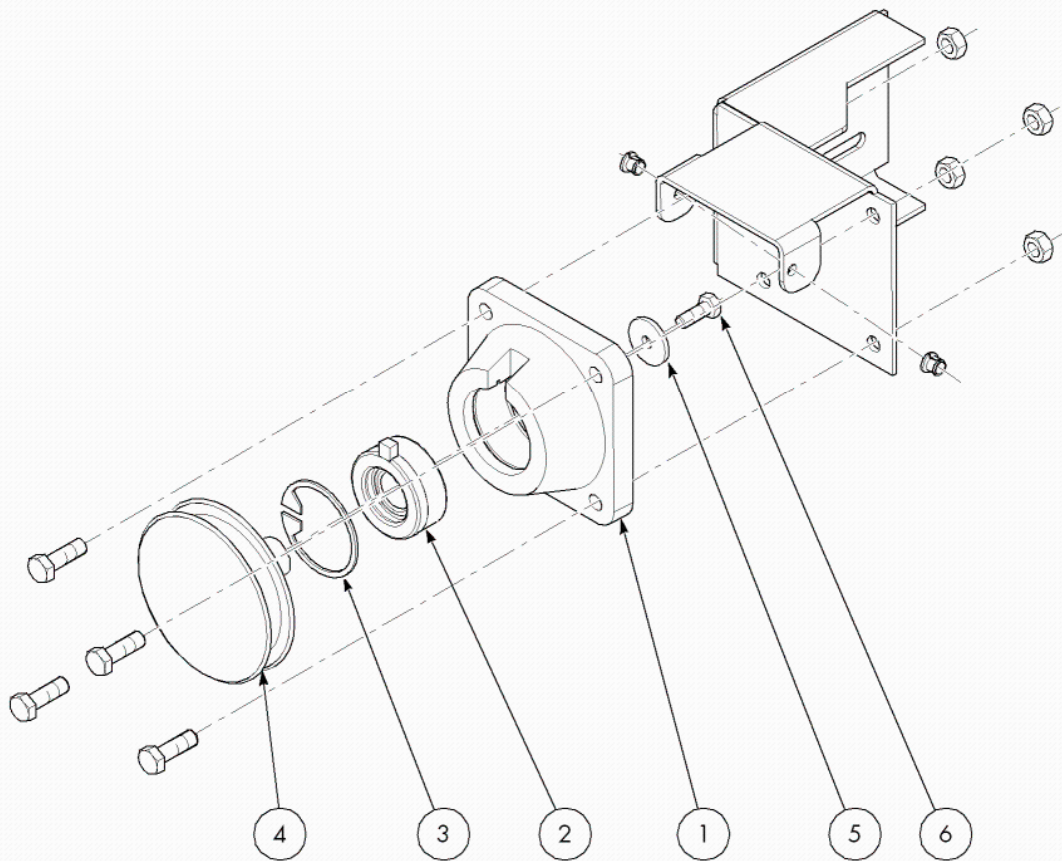
Sideshift Stop Assembly

Figure 8-1A: Sideshift Stop Assembly



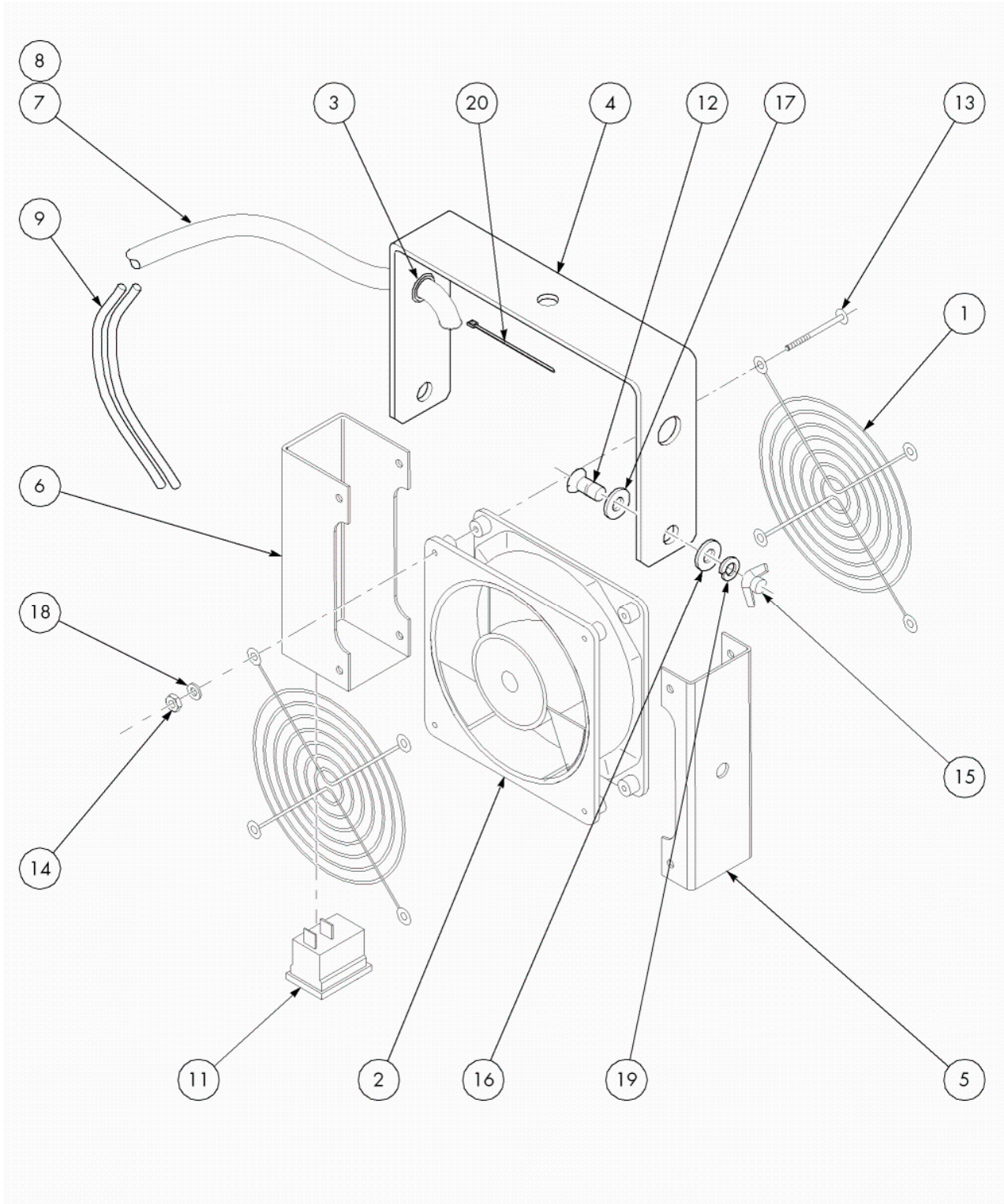
Pulley Encoder Sub-Assembly

Figure 8-4: Pulley Encoder Sub-Assembly



Operator Fan Assembly

Figure 8-9: Operator Fan Assembly



List 8-13: Limit Switch, R40TT, DRTT (Sheet 1 of 2)

| FIGURE 8-13 ITEM NO. | QTY | PART NUMBER | DESCRIPTION | SERVICE TYPE | USED ON |
|-------------------------|-----|-----------------|--|-----------------|------------|
| | | | Limit Switch, R40TT, DRTT | | |
| | | 1016864 | Limit Switch Installation | | |
| 1 | 1 | 600-316 | Connector-Cable | | |
| 2 | 1 | 828-011-149/001 | Cable Assembly (PS4 To S10) | | A |
| | 1 | 828-011-149/002 | Cable Assembly (PS4 To S10) | | B |
| | 1 | 828-011-149/003 | Cable Assembly (PS4 To S10) | | C |
| | 1 | 828-011-149/004 | Cable Assembly (PS4 To S10) | | D |
| | 1 | 828-011-149/005 | Cable Assembly (PS4 To S10) | | E |
| | 1 | 828-011-149/006 | Cable Assembly (PS4 To S10) | | F |
| | 1 | 828-011-149/007 | Cable Assembly (PS4 To S10) | | G |
| | 1 | 828-011-149/008 | Cable Assembly (PS4 To S10) | | H |
| | 1 | 828-011-134/001 | Cable Assembly, Speed Limiting Switch (PS4 To S10) (Up To 95 in. OACH) | | |
| | 1 | 828-011-134/002 | Cable Assembly, Speed Limiting Switch (PS4 To S10) (96 To 105 in. OACH) | | |
| | 1 | 828-011-134/003 | Cable Assembly, Speed Limiting Switch (PS4 To S10) (106 To 115 in. OACH) | | |
| | 1 | 828-011-134/004 | Cable Assembly, Speed Limiting Switch (PS4 To S10) (116 To 125 in. OACH) | | |
| | 1 | 828-011-134/005 | Cable Assembly, Speed Limiting Switch (PS4 To S10) (126 To 135 in. OACH) | | |
| | 1 | 828-011-134/006 | Cable Assembly, Speed Limiting Switch (PS4 To S10) (136 To 145 in. OACH) | | |
| | 1 | 828-011-134/007 | Cable Assembly, Speed Limiting Switch (PS4 To S10) (146 To 160 in. OACH) | | |
| | 1 | 828-011-134/008 | Cable Assembly, Speed Limiting Switch (PS4 To S10) (161 To 167 in. OACH) | | |
| | 1 | 828-011-135/001 | Cable Assembly, Speed Limiting Switch (PS4/PS5 To S10/S11) (156 To 160 in. OACH) | | |
| | 1 | 828-011-135/002 | Cable Assembly, Speed Limiting Switch (PS4/PS5 To S10/S11) (161 To 167 n. OACH) | | |

A = Up to 95 in. OACH

B = 96 to 105 in. OACH

C = 106 to 115 in. OACH

D = 116 to 125 in. OACH

E = 126 to 135 in. OACH

F = 136 to 145 in. OACH

G = 146 to 155 in. OACH

H = 156 to 165 in. OACH

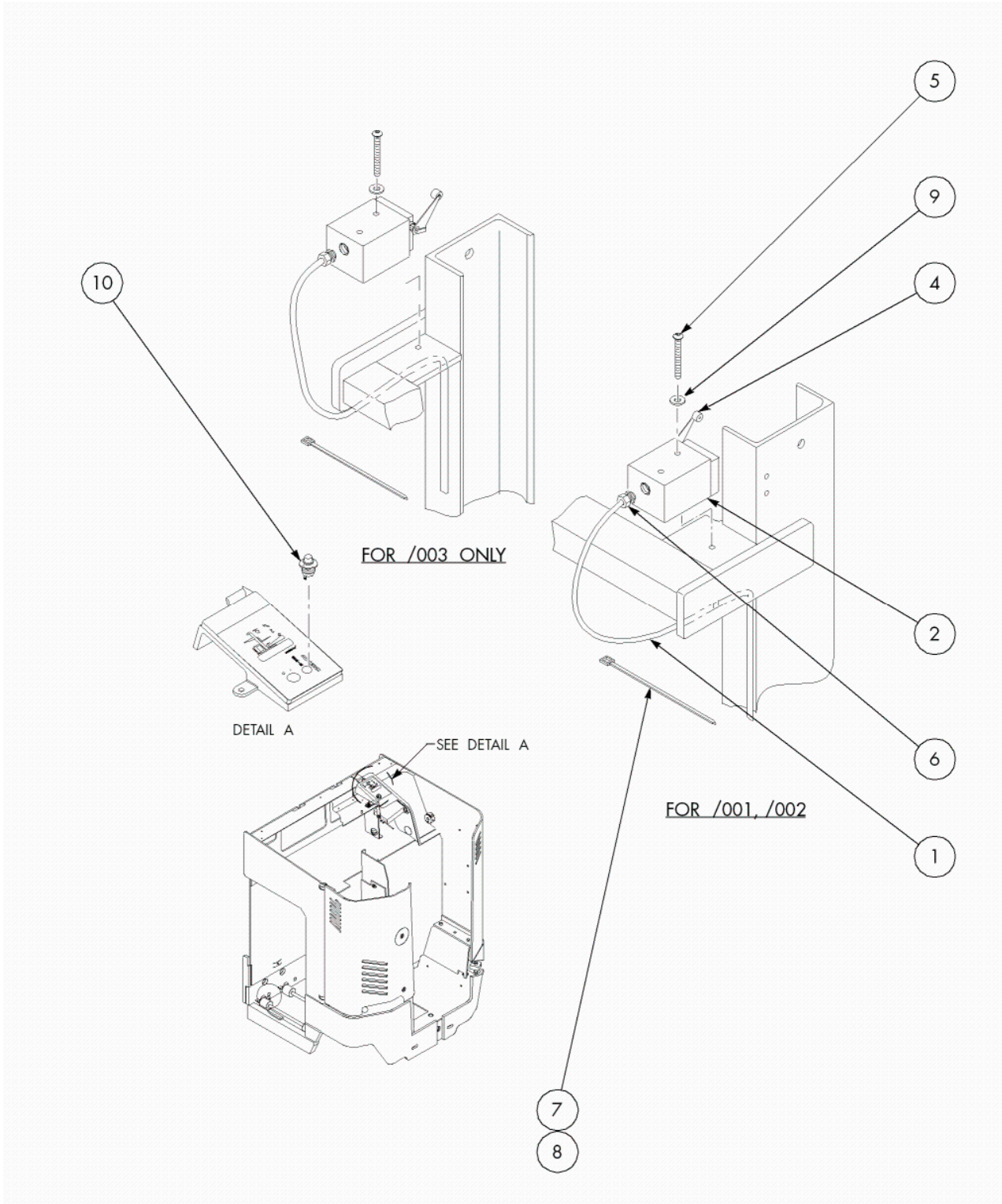
I = 167-UP in. OACH

Service Type R = Recommended Spare

Service Type H = Hardware

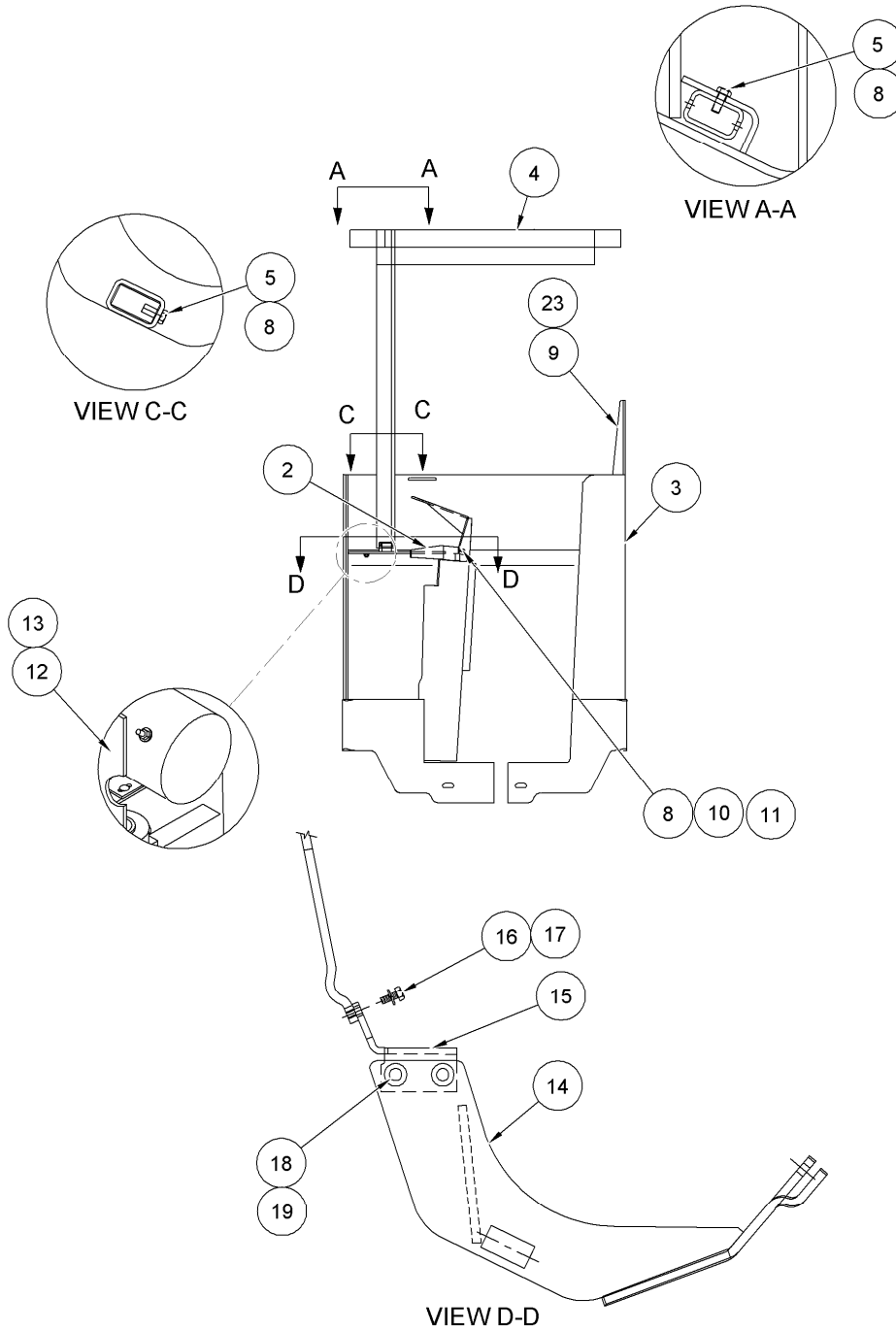
Lift Limit W/ Bypass

Figure 8-18: Lift Limit W/ Bypass



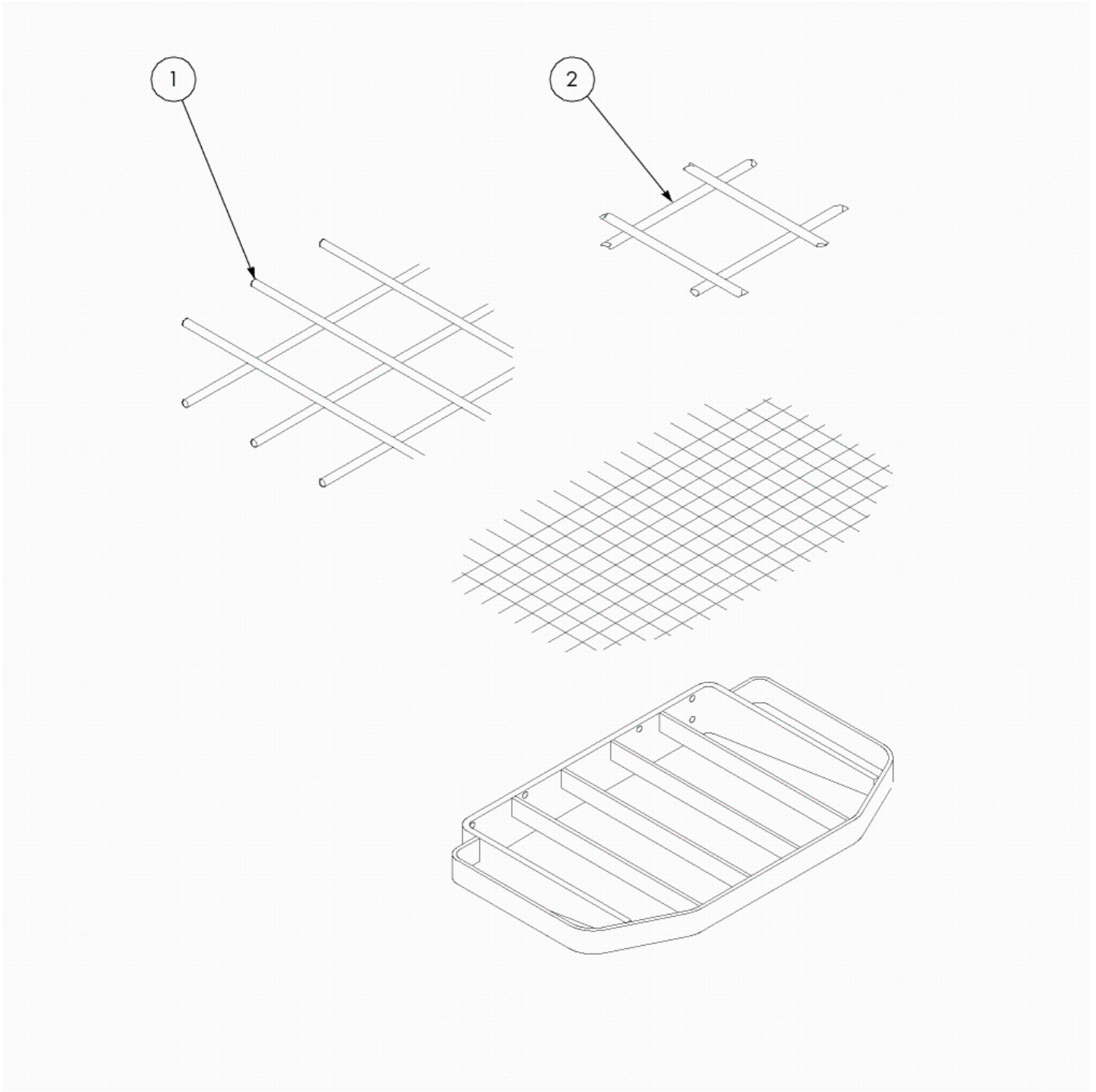
Post Guard Rear Installation, Dockstance

Figure 8-21A: Post Guard Rear Installation, Dockstance



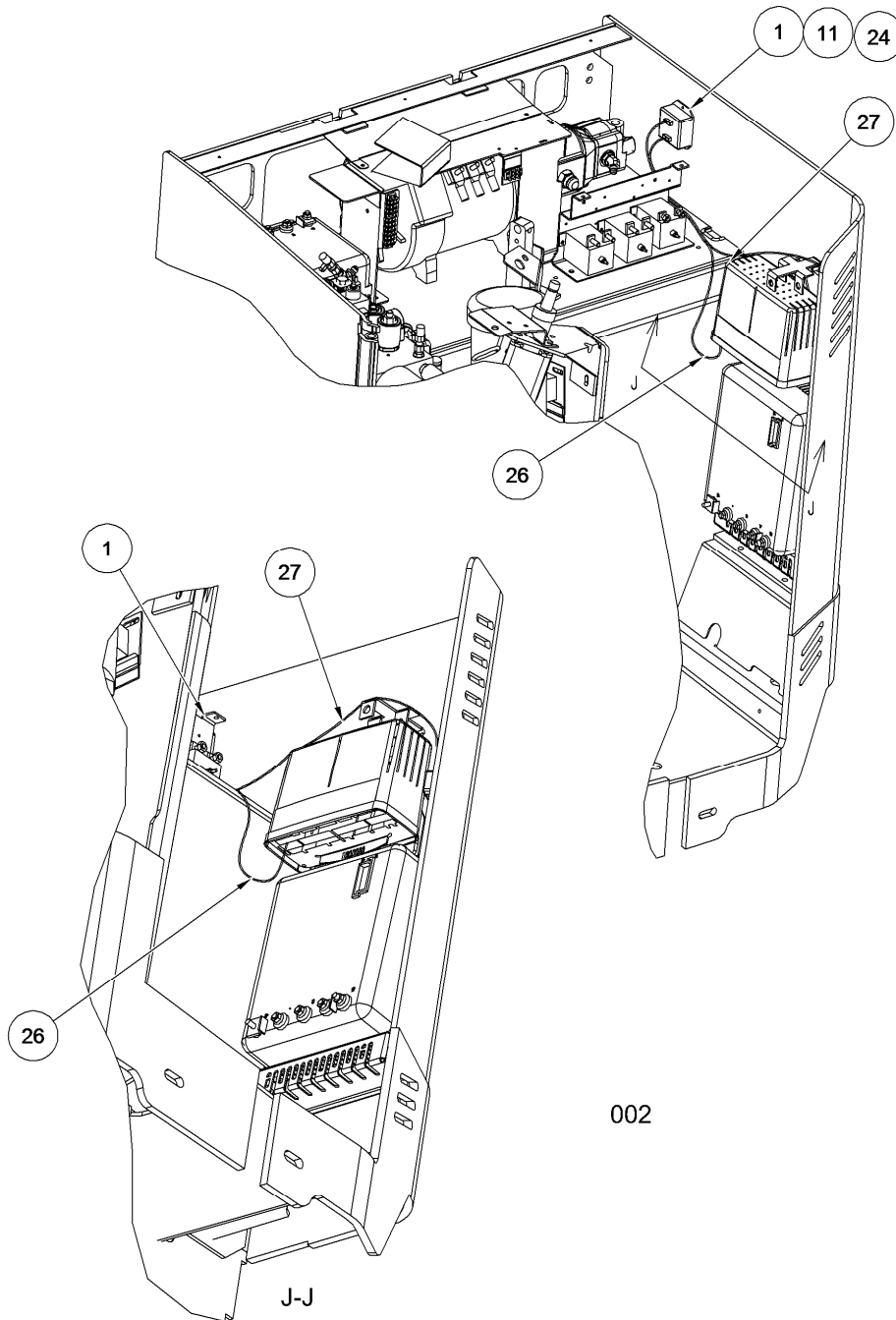
Mesh, Guard, Overhead

Figure 8-24A: Mesh, Guard, Overhead



Operator Compartment Sensor System

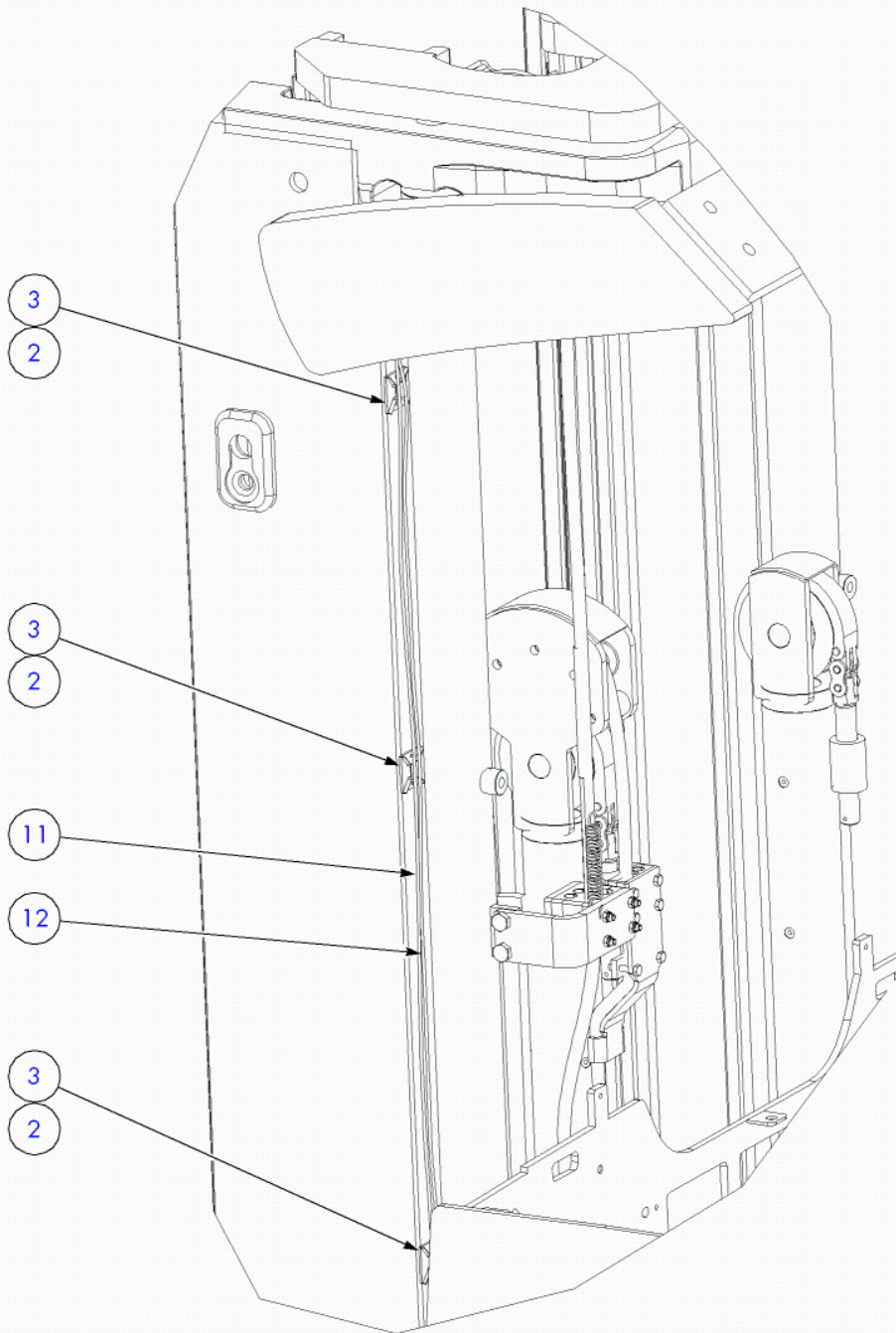
Figure 8-27.e: Operator Compartment Sensor System



Vantage Point System

Figure 8-28.h: Vantage Point System

CABLE TIES TO MAST
(MODEL 7400 SHOWN, 7420 AND 7440 SIMILAR)



List 8-28: Vantage Point System (Sheet 2 of 3)

| FIGURE 8-28 ITEM NO. | QTY | PART NUMBER | DESCRIPTION | SERVICE TYPE | USED ON |
|-------------------------|-----|-------------|--------------------------------------|-----------------|------------|
| | 1 | 1141531/007 | Cable Assembly, Video | C | |
| | 1 | 1141531/008 | Cable Assembly, Video | C | |
| | 1 | 1141531/009 | Cable Assembly, Video | C | |
| | 1 | 1141531/010 | Cable Assembly, Video | C | |
| | 1 | 1141531/011 | Cable Assembly, Video | C | |
| | 1 | 1141531/012 | Cable Assembly, Video | C | |
| | 1 | 1141531/013 | Cable Assembly, Video | C | |
| | 1 | 1141531/014 | Cable Assembly, Video | C | |
| | 1 | 1141531/015 | Cable Assembly, Video | C | |
| | 1 | 1141531/101 | Cable Assembly, Video | C | |
| | 1 | 1141531/102 | Cable Assembly, Video | C | |
| | 1 | 1080797/001 | Cable Assembly, Video, Over The Mast | C | |
| | 1 | 1080797/002 | Cable Assembly, Video, Over The Mast | C | |
| | 1 | 1080797/003 | Cable Assembly, Video, Over The Mast | C | |
| | 1 | 1080797/004 | Cable Assembly, Video, Over The Mast | C | |
| | 1 | 1080797/005 | Cable Assembly, Video, Over The Mast | C | |
| | 1 | 1080797/007 | Cable Assembly, Video, Over The Mast | C | |
| | 1 | 1080797/008 | Cable Assembly, Video, Over The Mast | C | |
| | 1 | 1080797/010 | Cable Assembly, Video, Over The Mast | C | |
| | 1 | 1080797/011 | Cable Assembly, Video, Over The Mast | C | |
| | 1 | 1080797/012 | Cable Assembly, Video, Over The Mast | C | |
| | 1 | 1080797/013 | Cable Assembly, Video, Over The Mast | C | |
| | 1 | 1080797/014 | Cable Assembly, Video, Over The Mast | C | |
| | 1 | 1080797/006 | Cable Assembly, Video, Over The Mast | C | A |
| | 1 | 1080797/009 | Cable Assembly, Video, Over The Mast | C | A |
| | 1 | 1080797/015 | Cable Assembly, Video, Over The Mast | C | A |
| | 1 | 1080989/101 | Cable Assembly, Video, Over the Mast | C | |
| | 1 | 1080989/102 | Cable Assembly, Video, Over the Mast | C | |
| | 1 | 1080989/103 | Cable Assembly, Video, Over the Mast | C | |
| | 1 | 1080989/104 | Cable Assembly, Video, Over the Mast | C | |
| | 1 | 1080989/105 | Cable Assembly, Video, Over the Mast | C | |
| | 1 | 1080989/106 | Cable Assembly, Video, Over the Mast | C | |
| | 1 | 1080989/107 | Cable Assembly, Video, Over the Mast | C | |
| | 1 | 1080989/108 | Cable Assembly, Video, Over the Mast | | |
| | 1 | 1080989/109 | Cable Assembly, Video, Over the Mast | C | |

A = Model 7400

B = Models 7420 and 7440

Service Type C = Critical Part

Service Type H = Hardware

EASi Reach-Fork® Truck - Models EZ-C, EZ-CD - Alphabetical Parts Index

| Description | Part No. | Page | Description | Part No. | Page |
|--|-----------------|-------|--------------------------------------|-------------|------|
| Cable Assembly, Mast (Light, Cold Storage) | 828-011-142/101 | 8-19 | Cable Assembly, Video | 1141531/002 | 1-16 |
| Cable Assembly, Mast (Light, Standard) | 828-011-142/001 | 8-19 | Cable Assembly, Video | 1141531/003 | 1-16 |
| Cable Assembly, Over the Mast | 828-003-708 | 1-16 | Cable Assembly, Video | 1141531/004 | 1-16 |
| Cable Assembly, Over the Mast | | 7-143 | Cable Assembly, Video | 1141531/005 | 1-16 |
| Cable Assembly, Over the Mast | 828-003-708 | 7-143 | Cable Assembly, Video | 1141531/006 | 1-16 |
| Cable Assembly, Over the Mast, TS-21 to TS-19 | 828-005-234 | 1-16 | Cable Assembly, Video | 1141531/007 | 1-16 |
| Cable Assembly, Over the Mast, TS-21 to TS-19 | 828-005-234 | 7-143 | Cable Assembly, Video | 1141531/008 | 1-16 |
| Cable Assembly, Power Converter to TS1 | 1042259/001 | 8-95 | Cable Assembly, Video | 1141531/009 | 1-16 |
| Cable Assembly, Reach | 828-005-435 | 7-123 | Cable Assembly, Video | 1141531/010 | 1-16 |
| Cable Assembly, Reach | 828-005-435 | 7-128 | Cable Assembly, Video | 1141531/011 | 1-16 |
| Cable Assembly, Reach/Tilt | 828-003-689 | 7-123 | Cable Assembly, Video | 1141531/012 | 1-16 |
| Cable Assembly, Reach/Tilt | 828-003-738 | 7-123 | Cable Assembly, Video | 1141531/013 | 1-16 |
| Cable Assembly, Reach/Tilt | 828-003-738 | 7-128 | Cable Assembly, Video | 1141531/014 | 1-16 |
| Cable Assembly, Reach/Tilt/ Sideshift | 828-003-690 | 7-123 | Cable Assembly, Video | 1141531/015 | 1-16 |
| Cable Assembly, Reach/Tilt/ Sideshift | 828-006-361 | 7-128 | Cable Assembly, Video | 1141531/101 | 1-16 |
| Cable Assembly, Reach/Tilt/Sideshift | 828-003-739 | 7-123 | Cable Assembly, Video | 1141531/102 | 1-16 |
| Cable Assembly, Reach/Tilt/Sideshift | 828-003-739 | 7-128 | Cable Assembly, Video | 1141531/103 | 1-16 |
| Cable Assembly, Speed Limiting Switch (PS4 To S10) (106 To 115 in. OACH) | 828-011-134/003 | 8-36 | Cable Assembly, Video | 1141531/104 | 1-16 |
| Cable Assembly, Speed Limiting Switch (PS4 To S10) (116 To 125 in. OACH) | 828-011-134/004 | 8-36 | Cable Assembly, Video | 1141531/105 | 1-16 |
| Cable Assembly, Speed Limiting Switch (PS4 To S10) (126 To 135 in. OACH) | 828-011-134/005 | 8-36 | Cable Assembly, Video | 1141531/106 | 1-16 |
| Cable Assembly, Speed Limiting Switch (PS4 To S10) (136 To 145 in. OACH) | 828-011-134/006 | 8-36 | Cable Assembly, Video | 1141531/107 | 1-16 |
| Cable Assembly, Speed Limiting Switch (PS4 To S10) (146 To 160 in. OACH) | 828-011-134/007 | 8-36 | Cable Assembly, Video | 1141531/108 | 1-16 |
| Cable Assembly, Speed Limiting Switch (PS4 To S10) (161 To 167 in. OACH) | 828-011-134/008 | 8-36 | Cable Assembly, Video | 1141531/109 | 1-16 |
| Cable Assembly, Speed Limiting Switch (PS4 To S10) (96 To 105 in. OACH) | 828-011-134/002 | 8-36 | Cable Assembly, Video | 1141531/110 | 1-16 |
| Cable Assembly, Speed Limiting Switch (PS4 To S10) (Up To 95 in. OACH) | 828-011-134/001 | 8-36 | Cable Assembly, Video | 1141531/103 | 8-95 |
| Cable Assembly, Speed Limiting Switch (PS4/PS5 To S10/S11) (156 To 160 in. OACH) | 828-011-135/001 | 8-36 | Cable Assembly, Video | 1141531/104 | 8-95 |
| Cable Assembly, Speed Limiting Switch (PS4/PS5 To S10/S11) (161 To 167 n. OACH) | 828-011-135/002 | 8-36 | Cable Assembly, Video | 1141531/105 | 8-95 |
| Cable Assembly, Speed Limiting Switch (PS4/PS5 To S10/S11) (168 To 174 in. OACH) | 828-011-135/003 | 8-37 | Cable Assembly, Video | 1141531/106 | 8-95 |
| Cable Assembly, Speed Limiting Switch (PS4/PS5 To S10/S11) (175 To 181 in. OACH) | 828-011-135/004 | 8-37 | Cable Assembly, Video | 1141531/107 | 8-95 |
| Cable Assembly, Speed Limiting Switch (PS4/PS5 To S10/S11) (182 To 188 in. OACH) | 828-011-135/005 | 8-37 | Cable Assembly, Video | 1141531/108 | 8-95 |
| Cable Assembly, Travel Alarm, (Light, Standard) | 828-011-128/001 | 8-19 | Cable Assembly, Video | 1141531/109 | 8-95 |
| Cable Assembly, Travel Light and Alarm, (Light, Cold Storage) | 828-011-128/102 | 8-19 | Cable Assembly, Video | 1141531/110 | 8-95 |
| Cable Assembly, Travel Light and Alarm, (Light, Standard) | 828-011-128/002 | 8-19 | Cable Assembly, Video | 1141531/001 | 8-95 |
| Cable Assembly, Video | 1141531/001 | 1-16 | Cable Assembly, Video | 1141531/002 | 8-95 |
| | | | Cable Assembly, Video | 1141531/003 | 8-95 |
| | | | Cable Assembly, Video | 1141531/004 | 8-95 |
| | | | Cable Assembly, Video | 1141531/005 | 8-95 |
| | | | Cable Assembly, Video | 1141531/006 | 8-95 |
| | | | Cable Assembly, Video | 1141531/007 | 8-96 |
| | | | Cable Assembly, Video | 1141531/008 | 8-96 |
| | | | Cable Assembly, Video | 1141531/009 | 8-96 |
| | | | Cable Assembly, Video | 1141531/010 | 8-96 |
| | | | Cable Assembly, Video | 1141531/011 | 8-96 |
| | | | Cable Assembly, Video | 1141531/012 | 8-96 |
| | | | Cable Assembly, Video | 1141531/013 | 8-96 |
| | | | Cable Assembly, Video | 1141531/014 | 8-96 |
| | | | Cable Assembly, Video | 1141531/015 | 8-96 |
| | | | Cable Assembly, Video | 1141531/101 | 8-96 |
| | | | Cable Assembly, Video | 1141531/102 | 8-96 |
| | | | Cable Assembly, Video, Over The Mast | 1080797/001 | 1-16 |
| | | | Cable Assembly, Video, Over The Mast | 1080797/002 | 1-16 |
| | | | Cable Assembly, Video, Over The Mast | 1080797/003 | 1-17 |
| | | | Cable Assembly, Video, Over The Mast | 1080797/004 | 1-17 |
| | | | Cable Assembly, Video, Over The Mast | 1080797/005 | 1-17 |
| | | | Cable Assembly, Video, Over The Mast | 1080797/006 | 1-17 |
| | | | Cable Assembly, Video, Over The Mast | 1080797/007 | 1-17 |

EASi Reach-Fork® Truck - Models EZ-C, EZ-CD - Alphabetical Parts Index

| Description | Part No. | Page | Description | Part No. | Page |
|---|-----------------|------|---|-----------------|------|
| Guard, Alter | 312-000-509 | 8-57 | Harness Assembly, Heater Cold Storage (JHT1 To TP4) | 828-009-703/004 | 3-29 |
| Guard, Alter (Includes Items 1,11 and 12) | 828-004-043/893 | 7-91 | Harness Assembly, Heater, Cold Storage (JHT1 To TP4) (Includes:) | 828-009-703/003 | 3-23 |
| Guard, Battery (18.5 in.) | 828-004-412/004 | 2-59 | Harness Assembly, Heater, Cold Storage (JHT1 To TP4) (Includes:) | 828-009-703/006 | 3-23 |
| Guard, Battery (21.5 in.) | 828-004-412/003 | 2-59 | Harness Assembly, Heater, Thermakit (JHT1 To JHT2 To TP4) | 828-009-705/002 | 3-23 |
| Guard, Cable | 828-008-391 | 2-5 | Harness Assembly, Heater, Thermakit (JHT1 To JHT2 To TP4) | 1005542/002 | 3-29 |
| Guard, Cable | 360-037/008 | 2-6 | Harness Assembly, Heater, Thermakit (JHT2 To JHT1, TP4, PC) (Includes:) | 1007440 | 3-23 |
| Guard, Cable | 360-037/010 | 2-6 | Harness Assembly, Proximity Switch Sensor (JST), Limit | 1022003/001 | 1-42 |
| Guard, Cable | 828-008-391 | 2-11 | Harness Assembly, Proximity Switch Sensor (JST), Limit | 1022003/001 | 8-49 |
| Guard, Cable | 360-037/008 | 2-11 | Harness, Cable Assembly, Traction Motor (TA-U To TM-U/ JT2, JT3, JB3 To PS10/ TA-V To TM-V/ TA-W To TM-W/ and Motor Brake) | 828-013-548/002 | 5-13 |
| Guard, Cable | 360-028/001 | 6-24 | Harness, Cable Assembly, Traction Motor (TA-U To TM-U/ JT2, JT3, JB3 To PS10/ TA-V To TM-V/ TA-W To TM-W/ and Motor Brake) | 828-011-245/001 | 5-13 |
| Guard, Cable (5.50 in.) | 360-037/007 | 2-6 | Harness, Cable Assembly, Traction Motor (TA-U To TM-U/ JT2, JT3, JB3 To PS10/ TA-V To TM-V/ TA-W To TM-W/ and Motor Brake) | 828-011-245/002 | 5-13 |
| Guard, Cable (6 in.) | 360-037/004 | 7-93 | Harness, Horn (HRN To H2/H1) | 850-139-001 | 5-39 |
| Guard, Cable (Order by ft.) | 360-032 | 2-6 | Harness, Wiring (EMTR1 To PW1/ RCVR2 To PW4/ EMTR-2 To PW3/ RCVR1 To PW2 To PW1 To EMTR-1/ PW4 To RCVR-2/ PW2 To RCVR-1/ PW3 To EMTR-2) | 1042810 | 8-78 |
| Guard, Cable (Order by ft.) | 360-032 | 2-11 | Harness, Wiring (HSUP To Horn/H1/H2) | 828-015-005 | 5-39 |
| Guard, Finger | 590-909 | 5-63 | Harness, Wiring Assembly (LR/LPC/TP To TP4, TR, TPC, STR, TP4 To PS11/PS12) | 828-011-071/002 | 5-36 |
| Guard, Finger | 590-909 | 8-27 | Harness, Wiring Assembly (LR/LPC/TP To TP4, TR, TPC, STR, TP4 To PS11/PS12) (Cold Storage) | 828-011-071/002 | 5-34 |
| Guard, Hose, Spiral Wrap | 870-863 | 5-14 | Harness, Wiring Assembly (LR/LPC/TP To TP4, TR, TPC, STR, TP4 To PS11/PS12) (Standard) | 828-011-071/001 | 5-34 |
| Guard, Hose, Spiral Wrap | 870-863 | 5-27 | Harness, Wiring, Cold Storage (PS-10 To JT2, JT3) | 828-011-231/002 | 5-13 |
| Guard, Mast, Glass (24 in. Guard Width) | 828-005-241 | 7-93 | Harness, Wiring, Cold Storage (PS-10 To JT2, JT3) | 1007421/002 | 5-13 |
| Guard, Mast, Glass (26 in. Guard Width) | 828-005-242 | 7-93 | Harness, Wiring, Cold Storage (PS-10 To JT2, JT3) | 828-011-231/002 | 5-27 |
| Guard, Mast, Glass (32 in. Guard Width) | 828-005-243 | 7-93 | Harness, Wiring, Cold Storage (PS-10 To JT2, JT3) | 1007421/002 | 5-27 |
| Guard, Rear Pad | 312-000-224 | 8-55 | Harness, Wiring, Main, Cold Storage | 828-011-223/002 | 5-12 |
| Guard, Rear Pad | 312-000-224 | 8-57 | Harness, Wiring, Main, Cold Storage | 828-013-665/002 | 5-12 |
| Guard, Warning Light | 591-582 | 8-29 | Harness, Wiring, Main, Cold Storage | 828-011-223/002 | 5-25 |
| Guard, Warning Light | 591-582 | 8-32 | Harness, Wiring, Main, Cold Storage | 828-013-665/002 | 5-25 |
| Guide, Air, Drive End | 1029753/38 | 5-50 | Harness, Wiring, Main, Standard | 828-011-223/001 | 5-12 |
| Half Shaft, Sub Assembly | 828-006-676 | 7-6 | Harness, Wiring, Main, Standard | 828-013-665/001 | 5-12 |
| Half Shaft, Sub Assembly | 828-006-678 | 7-6 | Harness, Wiring, Main, Standard | 828-011-223/001 | 5-25 |
| Half Shaft, Sub Assembly | 828-006-676 | 7-18 | Harness, Wiring, Main, Standard | 828-013-665/001 | 5-25 |
| Half Shaft, Sub Assembly | 828-006-678 | 7-18 | Harness, Wiring, Standard (PS-10 To JT2, JT3) | 828-011-231/001 | 5-13 |
| Half Shaft, Sub Assembly | 828-006-676 | 7-25 | Harness, Wiring, Standard (PS-10 To JT2, JT3) | 1007421/001 | 5-13 |
| Half Shaft, Sub Assembly | 828-006-678 | 7-25 | Harness, Wiring, Standard (PS-10 To JT2, JT3) | 828-011-231/001 | 5-27 |
| Half Shaft, Sub Assembly | 828-006-678 | 7-59 | Harness, Wiring, Standard (PS-10 To JT2, JT3) | 1007421/001 | 5-27 |
| Half Shaft, Sub Assembly | 828-006-676 | 7-59 | | | |
| Half Shaft, Sub Assembly | 828-006-678 | 7-64 | | | |
| Half Shaft, Sub Assembly | 828-006-676 | 7-64 | | | |
| Half Shaft, Sub Assembly | 828-006-676 | 7-64 | | | |
| Handle Positioned, Simul-Function Control | 223-000-807 | 3-26 | | | |
| Handle Positioned, Simul-Function Control | 223-000-807 | 3-32 | | | |
| Handle, Left-Hand | 828-006-152 | 3-26 | | | |
| Handle, Left-Hand (Thermakit) | 1004722 | 3-32 | | | |
| Handle, Left-Hand (Top) | 223-000-928 | 3-32 | | | |
| Handle, Left-Hand, Thermakit (Includes:) | 828-006-846/001 | 3-26 | | | |
| Handle, Right-Hand | 828-006-151 | 3-26 | | | |
| Handle, Right-Hand (Bottom) | 223-000-929 | 3-32 | | | |
| Handle, Right-Hand (Thermakit) | 1004723 | 3-32 | | | |
| Handle, Right-Hand, Thermakit (Includes:) | 828-006-847/001 | 3-26 | | | |
| Hanger, Support | 137-000-244 | 6-54 | | | |
| Harness (JFL1 To TS21/PFL) | 1111724/002 | 8-71 | | | |
| Harness (JFL1 To TS21/PFL) | 1111724/003 | 8-71 | | | |
| Harness (JFL1 To TS21/PFL) | 1111724/004 | 8-71 | | | |
| Harness (JW2, JW3 To JW1, JW4 To JX2) | 1037426 | 8-78 | | | |
| Harness (PC1 To JX1) | 1036063 | 8-78 | | | |
| Harness Assembly (JPS6 To TS19, S1/ K3) | 828-005-796 | 8-45 | | | |

EASi Reach-Fork® Truck - Models EZ-C, EZ-CD - Alphabetical Parts Index

| Description | Part No. | Page | Description | Part No. | Page |
|--|---------------|-------|--|-----------------|------|
| Kit, Ring Set | 828-005-540 | 1-43 | Lift Cylinder Assembly Front (All TT Except R45TT-MB & DR30TT-B) | 828-009-263 | 1-37 |
| Kit, Ring Set | 828-005-540 | 4-22 | Lift Cylinder Assembly Front (All TT Except R45TT-MB & DR30TT-B) | | 6-43 |
| Kit, Seal | 500-461/01 | 1-43 | Lift Cylinder Assembly Front (All TT Except R45TT-MB & DR30TT-B) | 828-009-263 | 6-43 |
| Kit, Seal | 540-047/422 | 1-43 | Lift Cylinder Assembly Front (All TT Except R45TT-MB & DR30TT-B) | 828-009-263 | 7-17 |
| Kit, Seal | 540-069/523 | 1-43 | Lift Cylinder Assembly, Back (R45TT-MB & DR30TT-B) | 1018746 | 1-37 |
| Kit, Seal | 550-026/11 | 1-43 | Lift Cylinder Assembly, Back (R45TT-MB & DR30TT-B) | 1047832 | 1-37 |
| Kit, Seal | 550-026/11 | 3-9 | Lift Cylinder Assembly, Back (R45TT-MB & DR30TT-B) | | 6-52 |
| Kit, Seal | 500-461/01 | 6-39 | Lift Cylinder Assembly, Back (R45TT-MB & DR30TT-B) | 1018746 | 6-52 |
| Kit, Seal | 540-047/422 | 6-56 | Lift Cylinder Assembly, Back (R45TT-MB & DR30TT-B) | 1021612 | 6-52 |
| Kit, Seal | 540-069/523 | 6-58 | Lift Cylinder Assembly, Back (R45TT-MB & DR30TT-B) | 1047832 | 6-52 |
| Kit, Seal, Check Valve | 520-910/05 | 1-44 | Lift Cylinder Assembly, Front (R45TT-MB & DR30TT-B) | 1018714 | 1-37 |
| Kit, Seal, Check Valve | 520-910/05 | 7-78 | Lift Cylinder Assembly, Front (R45TT-MB & DR30TT-B) | 1021611 | 1-38 |
| Kit, Seal, Cylinder | 540-067/214 | 1-44 | Lift Cylinder Assembly, Front (R45TT-MB & DR30TT-B) | 1047740 | 1-38 |
| Kit, Seal, Cylinder | 540-067/214 | 6-62 | Lift Cylinder Assembly, Front (R45TT-MB & DR30TT-B) | | 6-48 |
| Kit, Seal, Repair | 520-912/01 | 7-72 | Lift Cylinder Assembly, Front (R45TT-MB & DR30TT-B) | 1018714 | 6-48 |
| Kit, Seal, Rod | 870-522/05 | 1-44 | Lift Cylinder Assembly, Front (R45TT-MB & DR30TT-B) | 1021611 | 6-48 |
| Kit, Seal, Rod | 870-522/05 | 6-60 | Lift Cylinder Assembly, Front (R45TT-MB & DR30TT-B) | 1047740 | 6-48 |
| Kit, Spring, Centering (4 Per) | 870-855/06 | 1-44 | Lift Cylinder Assembly, Front (R45TT-MB & DR30TT-B) | 1047740 | 6-52 |
| Kit, Spring, Centering (4 Per) | 870-855/06 | 3-17 | Lift Cylinder Assembly-Back (All TT Except R45TT-MB & DR30TT-B) | 828-009-262 | 1-38 |
| Kit, Tip | 1-105-129/111 | 1-44 | Lift Cylinder Assembly-Back (All TT Except R45TT-MB & DR30TT-B) | | 6-45 |
| Kit, Tip | 1-105-131/111 | 1-44 | Lift Cylinder Assembly-Back (All TT Except R45TT-MB & DR30TT-B) | 828-009-262 | 6-45 |
| Kit, Tip | 1-105-131/111 | 5-34 | Lift Cylinder Assembly-Back (All TT Except R45TT-MB & DR30TT-B) | 828-009-262 | 6-45 |
| Kit, Tip | 1-105-129/111 | 5-34 | Lift Cylinder Assembly-Back (All TT Except R45TT-MB & DR30TT-B) | 828-009-262 | 7-17 |
| Kit, Tip | 1-105-129/111 | 5-36 | Lift Hose Installation, Fore/Aft and Dockstance | | 6-24 |
| Kit, Tip | 1-105-131/111 | 5-36 | Lift Limit W/ Bypass | | 8-47 |
| Kit, Wheel Plate | 625-001-192 | 7-105 | Lift Limit W/ Override | 1014474 | 8-47 |
| Kit, Wheel Plate, 5 X 2.88 | 828-013-439 | 7-97 | Lift Limit W/O Override | | 8-49 |
| Knob, Lift/Lower | 828-006-146 | 3-27 | Lift Motor, AC | | 5-53 |
| Knob, Lift/Lower | 1011700 | 3-32 | Lift Motor, AC | | 5-57 |
| Knob, Steering | 828-005-714 | 3-19 | Lift Pump and Motor Assembly | | 6-35 |
| Knob, Steering | 828-005-714 | 3-21 | Light Assembly, Strobe, Amber | 828-006-877/002 | 8-29 |
| Lamp Assembly, Warning (Clear) (Includes:) | 591-569/005 | 8-30 | Light Assembly, Strobe, Amber | 828-006-877/102 | 8-29 |
| Lamp Assembly, Warning (Green) (Includes:) | 591-569/004 | 8-30 | Light Assembly, Strobe, Blue | 828-006-877/003 | 8-29 |
| Lamp W/ Guard and Switch (Includes:) | 591-575/001 | 8-21 | Light Assembly, Strobe, Blue | 828-006-877/103 | 8-29 |
| Lamp, Sealed Beam, 36V | 591-452/01 | 8-21 | Light Assembly, Strobe, Clear | 828-006-877/005 | 8-29 |
| Laser Assembly, Green | 1096599/001 | 8-71 | Light Assembly, Strobe, Clear | 828-006-877/105 | 8-29 |
| Laser Assembly, Red | 1096599/002 | 8-71 | Light Assembly, Strobe, Green | 828-006-877/004 | 8-29 |
| Laser Installation | | 8-71 | Light Assembly, Strobe, Green | 828-006-877/104 | 8-29 |
| Laser Installation, Easi, D/R, Green | 1103263/003 | 8-71 | Light Assembly, Strobe, Red | 828-006-877/001 | 8-29 |
| Laser Installation, Easi, D/R, Red | 1103263/004 | 8-71 | Light Assembly, Strobe, Red | 828-006-877/101 | 8-29 |
| Laser Installation, Easi, Standard, Green | 1103263/001 | 8-71 | Light Assembly, Warning (Amber) (Includes:) | 591-569/002 | 8-30 |
| Laser Installation, Easi, Standard, Red | 1103263/002 | 8-71 | Light Assembly, Warning (Blue) (Includes:) | 591-569/003 | 8-30 |
| Lens and Dome | 591-501/02 | 8-34 | | | |
| Lens and Dome | 591-502/01 | 8-34 | | | |
| Lens and Dome | 591-609/111 | 8-34 | | | |
| Lens, Clear | 591-569/511 | 8-30 | | | |
| Lens, Green | 591-569/411 | 8-30 | | | |
| Lense, Amber | 591-569/211 | 8-30 | | | |
| Lense, Blue | 591-569/311 | 8-30 | | | |
| Lense, Red | 591-569/112 | 8-30 | | | |
| Lever | 114-008-762 | 7-37 | | | |
| Lift Chain Assembly | 632-001-022 | 1-37 | | | |
| Lift Chain Assembly | 812-002-873 | 1-37 | | | |
| Lift Chain Assembly | 632-001-022 | 7-147 | | | |
| Lift Chain Assembly | 812-002-873 | 7-147 | | | |
| Lift Chain Installation and Assembly | | 7-147 | | | |
| Lift Cutout Switch Installation R40TT-M and DRTT | | 8-41 | | | |

EASi Reach-Fork® Truck - Models EZ-C, EZ-CD - Alphabetical Parts Index

| Description | Part No. | Page | Description | Part No. | Page |
|--------------------------|---------------|------|-------------|----------|------|
| Roller Assembly | | 2-14 | Screw | 701-018 | 1-5 |
| Roller Assembly, Battery | 828-006-727 | 2-14 | Screw | 701-060 | 1-5 |
| Roller Stud | 137-003-321 | 7-29 | Screw | 701-066 | 1-5 |
| Roller, Battery | 1106472 | 2-14 | Screw | 701-070 | 1-5 |
| Roller, Battery | 123-001-382 | 2-14 | Screw | 701-086 | 1-5 |
| Rotor | 570-611/04 | 5-53 | Screw | 701-105 | 1-5 |
| Rotor, Drive Motor | 570-610/04 | 5-47 | Screw | 701-115 | 1-5 |
| Rotor, Drive Motor | 1029753/04 | 5-50 | Screw | 701-117 | 1-5 |
| Rotor, Friction | 1024365/120 | 1-45 | Screw | 701-118 | 1-5 |
| Rotor, Friction | 870-920/120 | 1-45 | Screw | 701-119 | 1-5 |
| Rotor, Friction | 870-920/120 | 4-12 | Screw | 701-122 | 1-5 |
| Rotor, Friction | 1024365/120 | 4-12 | Screw | 701-132 | 1-6 |
| Rotor, Lift Motor | 1052117/01 | 5-57 | Screw | 701-184 | 1-6 |
| Scissor Assembly, Reach | 828-005-143 | 7-45 | Screw | 701-185 | 1-6 |
| Scissor Assembly, Reach | 137-003-221 | 7-45 | Screw | 701-220 | 1-6 |
| Scissor Assembly, Reach | 137-003-221 | 7-52 | Screw | 701-225 | 1-6 |
| Scissor Assembly, Reach | 828-005-143 | 7-52 | Screw | 701-244 | 1-6 |
| Screw | 1005931 | 1-4 | Screw | 701-245 | 1-6 |
| Screw | 1024557/08 | 1-4 | Screw | 701-246 | 1-6 |
| Screw | 1029753/08 | 1-4 | Screw | 701-370 | 1-6 |
| Screw | 1029753/11 | 1-4 | Screw | 702-060 | 1-6 |
| Screw | 1029753/15 | 1-4 | Screw | 702-066 | 1-6 |
| Screw | 1029753/16 | 1-4 | Screw | 702-160 | 1-6 |
| Screw | 1029753/20 | 1-4 | Screw | 702-162 | 1-6 |
| Screw | 1050067/002 | 1-4 | Screw | 702-179 | 1-6 |
| Screw | 1050067/004 | 1-4 | Screw | 702-208 | 1-6 |
| Screw | 1052117/04 | 1-4 | Screw | 702-210 | 1-6 |
| Screw | 1052117/11 | 1-4 | Screw | 702-295 | 1-6 |
| Screw | 1070427 | 1-4 | Screw | 710-006 | 1-6 |
| Screw | 1133697/003 | 1-4 | Screw | 710-007 | 1-6 |
| Screw | 5-001-001 | 1-4 | Screw | 710-008 | 1-6 |
| Screw | 5-001-003 | 1-4 | Screw | 710-010 | 1-6 |
| Screw | 5-001-006 | 1-4 | Screw | 710-040 | 1-6 |
| Screw | 5-001-007 | 1-4 | Screw | 710-068 | 1-6 |
| Screw | 5-001-008 | 1-5 | Screw | 710-071 | 1-6 |
| Screw | 5-001-019 | 1-5 | Screw | 710-124 | 1-6 |
| Screw | 5-001-023 | 1-5 | Screw | 710-127 | 1-6 |
| Screw | 5-001-025 | 1-5 | Screw | 710-128 | 1-6 |
| Screw | 5-001-045 | 1-5 | Screw | 710-129 | 1-6 |
| Screw | 5-002-002 | 1-5 | Screw | 710-132 | 1-6 |
| Screw | 5-002-012 | 1-5 | Screw | 710-133 | 1-6 |
| Screw | 5-003-030 | 1-5 | Screw | 710-135 | 1-6 |
| Screw | 5-004-019 | 1-5 | Screw | 710-137 | 1-6 |
| Screw | 5-005-006 | 1-5 | Screw | 710-139 | 1-6 |
| Screw | 5-010-004 | 1-5 | Screw | 710-140 | 1-6 |
| Screw | 5-010-026 | 1-5 | Screw | 710-148 | 1-6 |
| Screw | 5-011-002 | 1-5 | Screw | 710-153 | 1-6 |
| Screw | 5-011-009 | 1-5 | Screw | 710-242 | 1-6 |
| Screw | 5-013-001 | 1-5 | Screw | 710-246 | 1-6 |
| Screw | 5-013-005 | 1-5 | Screw | 710-248 | 1-7 |
| Screw | 550-026/01 | 1-5 | Screw | 710-250 | 1-7 |
| Screw | 550-026/07 | 1-5 | Screw | 710-258 | 1-7 |
| Screw | 570-358/467 | 1-5 | Screw | 710-259 | 1-7 |
| Screw | 570-610/08 | 1-5 | Screw | 710-261 | 1-7 |
| Screw | 570-610/11 | 1-5 | Screw | 710-264 | 1-7 |
| Screw | 570-610/15 | 1-5 | Screw | 710-268 | 1-7 |
| Screw | 570-610/18 | 1-5 | Screw | 710-269 | 1-7 |
| Screw | 570-610/20 | 1-5 | Screw | 710-289 | 1-7 |
| Screw | 7-710-005/010 | 1-5 | Screw | 710-358 | 1-7 |
| Screw | 7-714-008/130 | 1-5 | Screw | 710-359 | 1-7 |
| Screw | 7-742-007/004 | 1-5 | Screw | 710-364 | 1-7 |

EASi Reach-Fork® Truck - Models EZ-C, EZ-CD - Alphabetical Parts Index

| Description | Part No. | Page | Description | Part No. | Page |
|--|-----------------|-------|--|-----------------|-------|
| Tie, Cable | 611-029 | 8-32 | Travel Light and Alarm | | 8-19 |
| Tie, Cable | 611-029 | 8-37 | Travel Light and Alarm Kit (Cold Storage) | 828-011-143/113 | 8-19 |
| Tie, Cable | 611-029 | 8-39 | Tray, Funnel | 828-003-040 | 6-26 |
| Tie, Cable | 611-029 | 8-41 | Tube | 570-610/34 | 5-48 |
| Tie, Cable | 611-029 | 8-43 | Tube | 570-610/35 | 5-48 |
| Tie, Cable | 611-029 | 8-47 | Tube | 570-610/36 | 5-48 |
| Tie, Cable | 611-029 | 8-49 | Tube | 570-610/34 | 5-54 |
| Tie, Cable | 611-029 | 8-78 | Tube | 570-610/35 | 5-54 |
| Tie, Cable | 611-029 | 8-95 | Tube | 570-610/36 | 5-54 |
| Tie, Cable (Strap) | 611-028 | 4-16 | Tube, Elbow, Beaded | 828-009-285 | 6-39 |
| Tie, Cable (Strap) | 611-028 | 8-71 | Tubing, Heat Shrink | 611-017 | 7-143 |
| Tie, Cable (Strap) | 611-028 | 8-95 | Tubing, Insulator Shrinkable | 611-069/002 | 3-32 |
| Tilt Ram | 540-067/400 | 6-62 | Tubing, Shrinkable | 611-024 | 5-13 |
| Tire | 632-131/001 | 1-47 | Tubing, Shrinkable | 611-024 | 5-26 |
| Tire | 632-131/101 | 1-47 | Tubing, Shrinkable (0.25 in. I.D.) | 611-025 | 8-34 |
| Tire | 632-131/001 | 4-4 | Valve Assembly, Proportional (SOL-2) | 520-930/001 | 1-47 |
| Tire | 632-131/101 | 4-4 | Valve Assembly, Proportional (SOL-2) | 520-930/001 | 6-29 |
| Tire (Siped) | 1053990 | 1-47 | Valve Assebmly, Orbit Metering (Includes Items 17 Thru 24) | 1094586 | 1-47 |
| Tire (Siped) | 1053990 | 4-4 | Valve Assebmly, Orbit Metering (Includes Items 17 Thru 24) | 1094586 | 3-15 |
| Tire, Flat Surface (Grey, Poly) | 632-131/010 | 1-47 | Valve Assembly, 4 Way, 3 Position (SOL-5) | 520-932/001 | 1-47 |
| Tire, Flat Surface (Grey, Poly) | 632-131/010 | 4-4 | Valve Assembly, 4 Way, 3 Position (SOL-5) | 520-932/001 | 6-29 |
| Tire, Load Wheel, Poly, 10.5 in. x 4.5 in. (Black 95) | 632-096/003 | 1-47 | Valve Assembly, Check (CV-2) | 520-337/060 | 1-47 |
| Tire, Load Wheel, Poly, 10.5 in. x 4.5 in. (Black 95) | 632-096/003 | 7-113 | Valve Assembly, Check (CV-2) | 520-337/060 | 6-29 |
| Tire, Load Wheel, Poly, 10.5 in. x 4.5 in. (Neutral Vulkollan) | 632-096/002 | 1-47 | Valve Assembly, Orbit (Includes Items 13 Thru 19) | 828-011-208 | 1-47 |
| Tire, Load Wheel, Poly, 10.5 in. x 4.5 in. (Neutral Vulkollan) | 632-096/002 | 7-113 | Valve Assembly, Orbit (Includes Items 13 Thru 19) | 828-011-208 | 3-13 |
| Tire, Load Wheel, Poly, 10.5 in. x 4.5 in. (Tan 95) | 632-096/007 | 1-47 | Valve Assembly, Orbit (Includes Items 20 Thru 27) | 1094553 | 1-47 |
| Tire, Load Wheel, Poly, 10.5 in. x 4.5 in. (Tan 95) | 632-096/007 | 7-113 | Valve Assembly, Orbit (Includes Items 20 Thru 27) | 1094553 | 3-13 |
| Tire, Siped (Includes 632-131/001) | 632-131/885 | 1-47 | Valve Assembly, Orbit Metering (Includes Items 10 Thru 16) | 828-011-212 | 1-47 |
| Tire, Siped (Includes 632-131/001) | 632-131/885 | 4-4 | Valve Assembly, Orbit Metering (Includes Items 10 Thru 16) | 828-011-212 | 3-15 |
| Top Cover Assembly | 828-006-299/005 | 2-17 | Valve Assembly, Relief (REL-1) | 520-241/004 | 1-47 |
| Top Cover Assembly | 828-006-298/001 | 2-17 | Valve Assembly, Relief (REL-1) | 520-241/004 | 6-29 |
| Top Cover Assembly | 828-006-298/002 | 2-17 | Valve Assembly, Relief (REL-3) | 520-243/004 | 1-47 |
| Top Cover Assembly | 828-006-298/003 | 2-17 | Valve Assembly, Relief (REL-3) | 520-243/004 | 6-29 |
| Top Cover Assembly | 828-006-298/004 | 2-17 | Valve Assembly, Solenoid | 1007096 | 1-47 |
| Top Cover Assembly (Includes:) | 828-006-299/001 | 2-17 | Valve Assembly, Solenoid | 1007096 | 7-76 |
| Top Cover Assembly (Includes:) | 828-006-299/002 | 2-17 | Valve Assembly, Solenoid - Power Tilt | 520-917 | 7-72 |
| Top Cover Assembly (Includes:) | 828-006-299/003 | 2-17 | Valve Assembly, Solenoid, Deep Reach Truck | | 7-76 |
| Top Cover Assembly (Includes:) | 828-006-299/004 | 2-17 | Valve Assembly, Solenoid, Power Tilt | | 7-72 |
| Top Cover Assembly (Includes:) | 828-006-299/005 | 2-17 | Valve Assembly, Solenoid, Sideshift | | 7-74 |
| Top Cover Assembly (Includes:) | 828-006-299/006 | 2-17 | Valve Assembly, Solenoid, Single Reach Truck | | 7-78 |
| Top Cover Assembly (Includes:) | 828-006-299/007 | 2-18 | Valve Assembly, Solenoid, Spool (SOL-6) | 520-933/001 | 1-47 |
| Top Cover Assembly (Includes:) | 828-006-299/008 | 2-18 | Valve Assembly, Solenoid, Spool (SOL-6) | 520-933/001 | 6-29 |
| Top Cover Assembly (Includes:) | 828-006-297/001 | 2-18 | Valve, Check | 520-943 | 1-47 |
| Top Cover Assembly (W/ Filler Cutout) | 828-006-237/001 | 2-17 | Valve, Check | 520-943 | 7-76 |
| Top Cover Assembly (W/O Filler Cutout) | 828-006-237/002 | 2-17 | Valve, Check (270 PSI) | 520-910/03 | 1-47 |
| Top Cover Assembly, Fore/Aft Stance and Dockstance | | 2-17 | Valve, Check (270 PSI) | 520-910/03 | 7-78 |
| Track, Bearing, Carriage | 1020738 | 7-70 | Valve, Control, Flow | 520-156/001 | 1-47 |
| Track, Bearing, Carriage | 1022278 | 7-70 | Valve, Control, Flow | 520-176 | 1-47 |
| Traction Motor, AC (TSW) | | 5-50 | Valve, Control, Flow | 520-156/001 | 6-45 |
| Traction Motor, AC, (TSP) | | 5-47 | | | |
| Travel Alarm Kit | 828-011-143/001 | 8-19 | | | |
| Travel Light Assembly (36V) | 828-006-879/002 | 8-21 | | | |
| Travel Light Assembly (36V) | 828-006-879/102 | 8-21 | | | |
| Travel Light Kit | 828-011-143/012 | 8-19 | | | |
| Travel Light Kit (Cold Storage) | 828-011-143/112 | 8-19 | | | |

EASi Reach-Fork® Truck - Models EZ-C, EZ-CD - Numerical Parts Index

| Part No. | Description | Page | Part No. | Description | Page |
|-------------|--|-------|-------------|--|------|
| 1050067/004 | Screw | 1-4 | 1080797/003 | Cable Assembly, Video, Over The Mast | 1-17 |
| 1050067/004 | Screw | 7-145 | 1080797/003 | Cable Assembly, Video, Over The Mast | 8-96 |
| 1051097 | Seal, Oil | 1-45 | 1080797/004 | Cable Assembly, Video, Over The Mast | 1-17 |
| 1051097 | Seal, Oil | 6-43 | 1080797/004 | Cable Assembly, Video, Over The Mast | 8-96 |
| 1051097 | Seal, Oil | 6-45 | 1080797/005 | Cable Assembly, Video, Over The Mast | 1-17 |
| 1051098 | Seal | 1-45 | 1080797/005 | Cable Assembly, Video, Over The Mast | 8-96 |
| 1051098 | Seal | 6-49 | 1080797/006 | Cable Assembly, Video, Over The Mast | 1-17 |
| 1051098 | Seal | 6-53 | 1080797/006 | Cable Assembly, Video, Over The Mast | 8-96 |
| 1052095/001 | Bracket, Mounting (Operator Fan, Side) | 8-27 | 1080797/007 | Cable Assembly, Video, Over The Mast | 1-17 |
| 1052117/01 | Rotor, Lift Motor | 5-57 | 1080797/007 | Cable Assembly, Video, Over The Mast | 8-96 |
| 1052117/02 | Stator, Lift Motor | 5-57 | 1080797/008 | Cable Assembly, Video, Over The Mast | 1-17 |
| 1052117/03 | Block, Terminal | 5-57 | 1080797/008 | Cable Assembly, Video, Over The Mast | 8-96 |
| 1052117/04 | Screw | 1-4 | 1080797/009 | Cable Assembly, Video, Over The Mast | 1-17 |
| 1052117/04 | Screw | 5-57 | 1080797/009 | Cable Assembly, Video, Over The Mast | 8-96 |
| 1052117/05 | Terminal Board, Bottom | 5-57 | 1080797/010 | Cable Assembly, Video, Over The Mast | 1-17 |
| 1052117/06 | End Bell, Drive End | 5-57 | 1080797/010 | Cable Assembly, Video, Over The Mast | 8-96 |
| 1052117/07 | Bearing, Drive | 1-40 | 1080797/011 | Cable Assembly, Video, Over The Mast | 1-17 |
| 1052117/07 | Bearing, Drive | 5-57 | 1080797/011 | Cable Assembly, Video, Over The Mast | 8-96 |
| 1052117/08 | Ring, Locking | 5-57 | 1080797/012 | Cable Assembly, Video, Over The Mast | 1-17 |
| 1052117/10 | Ring, Locking | 1-45 | 1080797/012 | Cable Assembly, Video, Over The Mast | 8-96 |
| 1052117/10 | Ring, Locking | 5-57 | 1080797/013 | Cable Assembly, Video, Over The Mast | 1-17 |
| 1052117/11 | Screw | 1-4 | 1080797/013 | Cable Assembly, Video, Over The Mast | 8-96 |
| 1052117/11 | Screw | 5-57 | 1080797/014 | Cable Assembly, Video, Over The Mast | 1-17 |
| 1052117/12 | Bell, Commutator End | 5-57 | 1080797/014 | Cable Assembly, Video, Over The Mast | 8-96 |
| 1052117/13 | Sleeve, Crimp, U | 5-57 | 1080797/015 | Cable Assembly, Video, Over The Mast | 1-17 |
| 1052117/14 | Sleeve, Crimp, V | 5-57 | 1080797/015 | Cable Assembly, Video, Over The Mast | 8-96 |
| 1052117/15 | Sleeve, Crimp, W | 5-57 | 1080989/001 | Cable Assembly, Video, Over the Mast (142 to 146 in.) JVS4 to PVS3 | 8-97 |
| 1052117/16 | Bearing, Motor Speed Encoder Assembly | 1-40 | 1080989/002 | Cable Assembly, Video, Over the Mast (147 to 151 in.) JVS4 to PVS3 | 8-97 |
| 1052117/16 | Bearing, Motor Speed Encoder Assembly | 5-57 | 1080989/003 | Cable Assembly, Video, Over the Mast (152 to 156 in.) JVS4 to PVS3 | 8-97 |
| 1052117/700 | Motor, Lift, AC | 1-38 | 1080989/004 | Cable Assembly, Video, Over the Mast (157 to 161 in.) JVS4 to PVS3 | 8-97 |
| 1052117/700 | Motor, Lift, AC | 5-57 | 1080989/005 | Cable Assembly, Video, Over the Mast (162 to 166 in.) JVS4 to PVS3 | 8-97 |
| 1052744 | Decal, Torque, Spec. Plate | 2-34 | 1080989/006 | Cable Assembly, Video, Over the Mast (167 to 171 in.) JVS4 to PVS3 | 8-97 |
| 1053218/002 | Cable, Camera JVS8 to Over The Mast PVS4 | 8-95 | 1080989/007 | Cable Assembly, Video, Over the Mast (172 to 176 in.) JVS4 to PVS3 | 8-97 |
| 1053819 | Plug, Mech | 6-50 | 1080989/008 | Cable Assembly, Video, Over the Mast (177 to 181 in.) JVS4 to PVS3 | 8-97 |
| 1053990 | Tire (Siped) | 1-47 | | | |
| 1053990 | Tire (Siped) | 4-4 | | | |
| 1055451 | Camera | 8-95 | | | |
| 1057638 | Bracket, Camera (R45TT) | 8-95 | | | |
| 1057641 | Bracket, Camera (DR32TT) | 8-95 | | | |
| 1057954 | Wire-Multiconductor, Lift/Limit 421.00 in. | 8-47 | | | |
| 1058359/700 | Motor, AC Lift, UL Class EE | 1-38 | | | |
| 1058359/700 | Motor, AC Lift, UL Class EE | 5-57 | | | |
| 1059872 | Spacer, Ram Ring Free Lift, Ram | 7-31 | | | |
| 1065662 | Spacer, Guard | 8-9 | | | |
| 1066187 | Plate, Pivot Support | 7-11 | | | |
| 1070427 | Screw | 1-4 | | | |
| 1070427 | Screw | 4-8 | | | |
| 1070472 | Sleeve, Spacer | 4-8 | | | |
| 1074729 | Bracket, Camera (R35TT) | 8-95 | | | |
| 1079662 | Bracket, Mounting, Steer | 3-7 | | | |
| 1080797/001 | Cable Assembly, Video, Over The Mast | 1-16 | | | |
| 1080797/001 | Cable Assembly, Video, Over The Mast | 8-96 | | | |
| 1080797/002 | Cable Assembly, Video, Over The Mast | 1-16 | | | |
| 1080797/002 | Cable Assembly, Video, Over The Mast | 8-96 | | | |

EASi Reach-Fork® Truck - Models EZ-C, EZ-CD - Numerical Parts Index

| Part No. | Description | Page | Part No. | Description | Page |
|-------------|--|------|-------------|---------------------------------|------|
| 540-104/421 | Bearing, Spherical | 1-41 | 570-379/416 | Fan, Auxiliary Motor (Internal) | 5-59 |
| 540-104/421 | Bearing, Spherical | 6-58 | 570-379/426 | Stator Assembly | 5-59 |
| 540-104/422 | Plug, Cap, Female | 6-58 | 570-379/451 | Motor, Auxiliary 36V | 1-38 |
| 540-104/423 | Plug, Cap, Tapered | 6-58 | 570-379/451 | Motor, Auxiliary 36V | 5-59 |
| 540-104/500 | Cylinder, Reach, Assembly | 1-21 | 570-610 | Motor, Drive (Traction) | 1-38 |
| 540-104/500 | Cylinder, Reach, Assembly | 6-58 | 570-610 | Motor, Drive (Traction) | 5-47 |
| 550-004/06 | Bearing, Thrust, Race | 1-41 | 570-610/01 | Stator, Drive Motor | 5-47 |
| 550-004/06 | Bearing, Thrust, Race | 3-9 | 570-610/02 | End Shield, Brake | 5-47 |
| 550-004/07 | Bearing, Needle / Thrust | 1-40 | 570-610/03 | End Shield, Drive | 5-47 |
| 550-004/07 | Bearing, Needle / Thrust | 3-9 | 570-610/04 | Rotor, Drive Motor | 5-47 |
| 550-004/10 | Seal | 1-45 | 570-610/05 | Bearing, Drive | 1-40 |
| 550-004/10 | Seal | 3-17 | 570-610/05 | Bearing, Drive | 5-47 |
| 550-004/94 | Flange, Mounting (4 Bolt) | 3-9 | 570-610/06 | Bearing, Encoder | 1-40 |
| 550-008/03 | Ring, Retaining | 3-17 | 570-610/06 | Bearing, Encoder | 5-47 |
| 550-008/09 | Screw, Set | 1-10 | 570-610/06 | Bearing, Encoder | 5-50 |
| 550-008/09 | Screw, Set | 3-17 | 570-610/06 | Bearing, Encoder | 5-53 |
| 550-008/11 | Seat, Check Ball | 3-17 | 570-610/07 | Washer, Spring | 1-13 |
| 550-008/12 | Retainer, Check Ball | 3-17 | 570-610/07 | Washer, Spring | 5-47 |
| 550-008/17 | Drive | 3-17 | 570-610/07 | Washer, Spring | 5-53 |
| 550-015/02 | Shaft, Keyed Output, Straight | 3-9 | 570-610/08 | Screw | 1-5 |
| 550-026/01 | Screw | 1-5 | 570-610/08 | Screw | 5-47 |
| 550-026/01 | Screw | 3-9 | 570-610/08 | Screw | 5-53 |
| 550-026/04 | Plate, Spacer | 3-9 | 570-610/09 | Nut, Lock | 1-3 |
| 550-026/05 | Geroler | 3-9 | 570-610/09 | Nut, Lock | 5-47 |
| 550-026/07 | Screw | 1-5 | 570-610/09 | Nut, Lock | 5-53 |
| 550-026/07 | Screw | 3-9 | 570-610/10 | Plate, Bearing Retainer | 5-47 |
| 550-026/08 | Spacer | 3-9 | 570-610/10 | Plate, Bearing Retainer | 5-53 |
| 550-026/11 | Kit, Seal | 1-43 | 570-610/11 | Screw | 1-5 |
| 550-026/11 | Kit, Seal | 3-9 | 570-610/11 | Screw | 5-47 |
| 550-028 | Motor, Steer | 1-39 | 570-610/11 | Screw | 5-53 |
| 550-028 | Motor, Steer | 3-9 | 570-610/12 | Terminal Block, Drive Motor | 5-47 |
| 550-028/01 | Housing | 3-9 | 570-610/12 | Terminal Block, Drive Motor | 5-53 |
| 550-028/02 | Drive | 3-9 | 570-610/13 | Ring, Tongue | 5-47 |
| 550-028/04 | Cap, End | 3-9 | 570-610/13 | Ring, Tongue | 5-53 |
| 560-205/120 | Kit, Coupling, Flexible | 1-43 | 570-610/14 | Bracket | 5-47 |
| 560-205/120 | Kit, Coupling, Flexible | 6-39 | 570-610/14 | Bracket | 5-53 |
| 570-219/212 | Bearing | 1-40 | 570-610/15 | Screw | 1-5 |
| 570-219/212 | Bearing | 5-50 | 570-610/15 | Screw | 5-47 |
| 570-358/451 | Motor, Auxiliary, EE | 1-38 | 570-610/15 | Screw | 5-53 |
| 570-358/451 | Motor, Auxiliary, EE | 5-59 | 570-610/16 | Nut, Flanged | 1-3 |
| 570-358/452 | Bearing, Auxiliary Motor, Drive End | 1-40 | 570-610/16 | Nut, Flanged | 5-47 |
| 570-358/452 | Bearing, Auxiliary Motor, Drive End | 5-59 | 570-610/16 | Nut, Flanged | 5-53 |
| 570-358/453 | Bearing, Auxiliary Motor, Commutator End | 1-40 | 570-610/17 | Washer, Spring | 1-14 |
| 570-358/453 | Bearing, Auxiliary Motor, Commutator End | 5-59 | 570-610/17 | Washer, Spring | 5-47 |
| 570-358/453 | Bearing, Auxiliary Motor, Commutator End | 5-59 | 570-610/17 | Washer, Spring | 5-53 |
| 570-358/461 | Brush Assembly, Auxiliary Motor | 1-41 | 570-610/18 | Screw | 1-5 |
| 570-358/461 | Brush Assembly, Auxiliary Motor | 5-59 | 570-610/18 | Screw | 5-47 |
| 570-358/463 | Armature Assembly, EE | 5-59 | 570-610/18 | Screw | 5-53 |
| 570-358/464 | Stator Assembly, EE | 5-59 | 570-610/19 | Bracket | 5-47 |
| 570-358/465 | End Bell, Drive End | 5-59 | 570-610/19 | Bracket | 5-53 |
| 570-358/466 | Bolt, Motor | 1-2 | 570-610/20 | Screw | 1-5 |
| 570-358/466 | Bolt, Motor | 5-59 | 570-610/20 | Screw | 5-53 |
| 570-358/467 | Screw | 1-5 | 570-610/21 | Connector, Electrical | 5-47 |
| 570-358/467 | Screw | 5-59 | 570-610/21 | Connector, Electrical | 5-50 |
| 570-358/468 | Cover, Brush Inspection | 5-59 | 570-610/21 | Connector, Electrical | 5-53 |
| 570-358/469 | Cover, Fan | 5-59 | 570-610/22 | Contact, Tab | 5-47 |
| 570-358/470 | Fan, EE | 5-59 | 570-610/22 | Contact, Tab | 5-53 |
| 570-358/471 | Screw, Set | 1-10 | 570-610/23 | Seal, Connector, Electrical | 5-47 |
| 570-358/471 | Screw, Set | 5-59 | 570-610/23 | Seal, Connector, Electrical | 5-50 |
| 570-358/476 | Brush Ring Assembly (W/O Brushes) | 5-59 | 570-610/23 | Seal, Connector, Electrical | 5-53 |
| 570-379/411 | Armature Assembly | 5-59 | 570-610/24 | Radial Packing | 5-47 |

EASi Reach-Fork® Truck - Models EZ-C, EZ-CD - Numerical Parts Index

| Part No. | Description | Page | Part No. | Description | Page |
|-------------|---------------------------|-------|----------|------------------------|-------|
| 760-130 | Nut, Locking | 7-30 | 771-019 | Washer, Flat | 8-9 |
| 760-141 | Nut, Hex, Flex Lock | 1-3 | 771-019 | Washer, Flat | 8-27 |
| 760-141 | Nut, Hex, Flex Lock | 7-5 | 771-019 | Washer, Flat | 8-55 |
| 760-141 | Nut, Hex, Flex Lock | 7-17 | 771-023 | Washer, Flat | 1-12 |
| 760-141 | Nut, Hex, Flex Lock | 7-24 | 771-023 | Washer, Flat | 3-15 |
| 760-141 | Nut, Hex, Flex Lock | 7-30 | 771-023 | Washer, Flat | 7-5 |
| 760-148 | Nut, Steer Wheel Mounting | 1-4 | 771-023 | Washer, Flat | 7-37 |
| 760-148 | Nut, Steer Wheel Mounting | 2-34 | 771-023 | Washer, Flat | 7-123 |
| 760-148 | Nut, Steer Wheel Mounting | 2-50 | 771-023 | Washer, Flat | 7-128 |
| 760-148 | Nut, Steer Wheel Mounting | 3-5 | 771-023 | Washer, Flat | 8-11 |
| 760-148 | Nut, Steer Wheel Mounting | 3-13 | 771-023 | Washer, Flat | 8-27 |
| 760-148 | Nut, Steer Wheel Mounting | 3-15 | 771-023 | Washer, Flat | 8-53 |
| 760-148 | Nut, Steer Wheel Mounting | 7-49 | 771-023 | Washer, Flat | 8-55 |
| 760-211 | Nut, Lock | 1-4 | 771-023 | Washer, Flat | 8-57 |
| 760-211 | Nut, Lock | 7-58 | 771-023 | Washer, Flat | 8-71 |
| 760-211 | Nut, Lock | 7-64 | 771-025 | Washer, Flat | 1-12 |
| 760-217 | Nut, Lock | 1-4 | 771-025 | Washer, Flat | 3-3 |
| 760-217 | Nut, Lock | 7-58 | 771-025 | Washer, Flat | 7-5 |
| 760-217 | Nut, Lock | 7-64 | 771-025 | Washer, Flat | 7-13 |
| 760-243 | Nut, Lock | 1-4 | 771-025 | Washer, Flat | 7-17 |
| 760-243 | Nut, Lock | 6-45 | 771-025 | Washer, Flat | 7-25 |
| 760-243 | Nut, Lock | 7-7 | 771-025 | Washer, Flat | 7-30 |
| 760-243 | Nut, Lock | 7-30 | 771-025 | Washer, Flat | 8-53 |
| 760-243 | Nut, Lock | 7-99 | 771-025 | Washer, Flat | 8-69 |
| 760-243 | Nut, Lock | 7-102 | 771-027 | Washer, Flat | 1-12 |
| 760-243 | Nut, Lock | 7-106 | 771-027 | Washer, Flat | 6-45 |
| 760-243 | Nut, Lock | 7-110 | 771-027 | Washer, Flat | 7-7 |
| 760-243 | Nut, Lock | 7-112 | 771-033 | Washer, Flat | 1-12 |
| 760-248 | Nut | 1-2 | 771-033 | Washer, Flat | 7-99 |
| 760-248 | Nut | 6-54 | 771-033 | Washer, Flat | 7-102 |
| 760-248 | Nut | 7-30 | 771-033 | Washer, Flat | 7-106 |
| 760-913 | Nut, Locking | 1-4 | 771-033 | Washer, Flat | 7-106 |
| 760-913 | Nut, Locking | 7-49 | 771-033 | Washer, Flat | 7-110 |
| 760-920 | Nut | 1-2 | 771-040 | Shim (0.031 in. Thick) | 3-5 |
| 760-920 | Nut | 4-18 | 771-040 | Shim (0.031 in. Thick) | 7-110 |
| 761-870/03 | Nut, Clamp | 1-3 | 771-044 | Washer, Flat | 1-12 |
| 761-870/03 | Nut, Clamp | 4-22 | 771-044 | Washer, Flat | 7-45 |
| 761-878 | Nut, Slotted | 1-4 | 771-049 | Washer, Flat | 1-12 |
| 761-878 | Nut, Slotted | 7-52 | 771-049 | Washer, Flat | 2-6 |
| 761-882 | Nut, Slotted | 1-4 | 771-049 | Washer, Flat | 2-10 |
| 761-882 | Nut, Slotted | 3-4 | 771-052 | Washer, Flat | 1-12 |
| 761-935/002 | Nut, Flange | 1-3 | 771-052 | Washer, Flat | 6-22 |
| 761-935/002 | Nut, Flange | 3-13 | 771-053 | Washer, Flat | 1-12 |
| 761-935/002 | Nut, Flange | 3-15 | 771-053 | Washer, Flat | 7-5 |
| 761-935/002 | Nut, Flange | 6-37 | 771-054 | Washer, Flat | 1-12 |
| 761-935/002 | Nut, Flange | 6-41 | 771-054 | Washer, Flat | 2-33 |
| 761-935/002 | Nut, Flange | 8-57 | 771-054 | Washer, Flat | 7-23 |
| 771-009 | Washer, Flat | 1-11 | 771-103 | Washer, Flat | 1-12 |
| 771-009 | Washer, Flat | 7-124 | 771-103 | Washer, Flat | 5-63 |
| 771-009 | Washer, Flat | 7-128 | 771-104 | Washer, Flat | 1-12 |
| 771-012 | Washer, Flat | 1-11 | 771-104 | Washer, Flat | 7-46 |
| 771-012 | Washer, Flat | 4-15 | 771-107 | Washer, Flat | 1-12 |
| 771-016 | Washer, Flat | 1-11 | 771-107 | Washer, Flat | 8-27 |
| 771-016 | Washer, Flat | 4-15 | 771-109 | Washer, Flat | 1-12 |
| 771-016 | Washer, Flat | 5-39 | 771-109 | Washer, Flat | 8-34 |
| 771-016 | Washer, Flat | 5-61 | 771-112 | Washer, Flat | 1-12 |
| 771-019 | Washer, Flat | 1-12 | 771-112 | Washer, Flat | 3-27 |
| 771-019 | Washer, Flat | 2-10 | 771-112 | Washer, Flat | 8-29 |
| 771-019 | Washer, Flat | 4-3 | 771-114 | Washer, Flat | 1-12 |
| 771-019 | Washer, Flat | 4-16 | 771-114 | Washer, Flat | 2-5 |
| 771-019 | Washer, Flat | 6-22 | 771-114 | Washer, Flat | 2-17 |

EASi Reach-Fork® Truck - Models EZ-C, EZ-CD - Numerical Parts Index

| Part No. | Description | Page | Part No. | Description | Page |
|-----------------|------------------------------|-------|-----------------|--|-------|
| 828-000-845/450 | Hose Assembly, Over the Mast | 1-32 | 828-000-845/483 | Hose Assembly, Over the Mast | 7-140 |
| 828-000-845/450 | Hose Assembly, Over the Mast | 7-139 | 828-000-845/486 | Hose Assembly, Over the Mast | 1-33 |
| 828-000-845/451 | Hose Assembly, Over the Mast | 1-32 | 828-000-845/486 | Hose Assembly, Over the Mast | 7-140 |
| 828-000-845/451 | Hose Assembly, Over the Mast | 7-139 | 828-000-845/488 | Hose Assembly, Over the Mast | 1-33 |
| 828-000-845/452 | Hose Assembly, Over the Mast | 1-32 | 828-000-845/488 | Hose Assembly, Over the Mast | 7-140 |
| 828-000-845/452 | Hose Assembly, Over the Mast | 7-139 | 828-000-845/489 | Hose Assembly, Over the Mast | 1-33 |
| 828-000-845/453 | Hose Assembly, Over the Mast | 1-32 | 828-000-845/489 | Hose Assembly, Over the Mast | 7-140 |
| 828-000-845/453 | Hose Assembly, Over the Mast | 7-139 | 828-000-845/492 | Hose Assembly, Over the Mast | 1-33 |
| 828-000-845/454 | Hose Assembly, Over the Mast | 1-32 | 828-000-845/492 | Hose Assembly, Over the Mast | 7-140 |
| 828-000-845/454 | Hose Assembly, Over the Mast | 7-139 | 828-000-845/495 | Hose Assembly, Over the Mast | 1-33 |
| 828-000-845/455 | Hose Assembly, Over the Mast | 1-32 | 828-000-845/495 | Hose Assembly, Over the Mast | 7-140 |
| 828-000-845/455 | Hose Assembly, Over the Mast | 7-139 | 828-000-845/501 | Hose Assembly, Over the Mast | 1-33 |
| 828-000-845/456 | Hose Assembly, Over the Mast | 1-32 | 828-000-845/501 | Hose Assembly, Over the Mast | 7-140 |
| 828-000-845/456 | Hose Assembly, Over the Mast | 7-139 | 828-000-845/507 | Hose Assembly, Over the Mast | 1-33 |
| 828-000-845/457 | Hose Assembly, Over the Mast | 1-32 | 828-000-845/507 | Hose Assembly, Over the Mast | 7-140 |
| 828-000-845/457 | Hose Assembly, Over the Mast | 7-139 | 828-000-845/513 | Hose Assembly, Over the Mast | 1-33 |
| 828-000-845/458 | Hose Assembly, Over the Mast | 1-32 | 828-000-845/513 | Hose Assembly, Over the Mast | 7-140 |
| 828-000-845/458 | Hose Assembly, Over the Mast | 7-139 | 828-000-845/519 | Hose Assembly, Over the Mast | 1-33 |
| 828-000-845/459 | Hose Assembly, Over the Mast | 1-32 | 828-000-845/519 | Hose Assembly, Over the Mast | 7-140 |
| 828-000-845/459 | Hose Assembly, Over the Mast | 7-139 | 828-000-845/601 | Hose Assembly, Over the Mast | 1-33 |
| 828-000-845/460 | Hose Assembly, Over the Mast | 1-32 | 828-000-845/601 | Hose Assembly, Over the Mast | 7-140 |
| 828-000-845/460 | Hose Assembly, Over the Mast | 7-139 | 828-000-845/602 | Hose Assembly, Over the Mast | 1-33 |
| 828-000-845/461 | Hose Assembly, Over the Mast | 1-32 | 828-000-845/602 | Hose Assembly, Over the Mast | 7-140 |
| 828-000-845/461 | Hose Assembly, Over the Mast | 7-139 | 828-000-845/V97 | Hose Assembly, Over the Mast | 1-33 |
| 828-000-845/462 | Hose Assembly, Over the Mast | 1-32 | 828-000-845/V97 | Hose Assembly, Over the Mast | 7-140 |
| 828-000-845/462 | Hose Assembly, Over the Mast | 7-139 | 828-000-845/V98 | Hose Assembly, Over the Mast | 1-33 |
| 828-000-845/463 | Hose Assembly, Over the Mast | 1-32 | 828-000-845/V98 | Hose Assembly, Over the Mast | 7-140 |
| 828-000-845/463 | Hose Assembly, Over the Mast | 7-139 | 828-000-984/001 | Stop, Carriage | 7-39 |
| 828-000-845/464 | Hose Assembly, Over the Mast | 1-32 | 828-000-984/001 | Stop, Carriage | 7-41 |
| 828-000-845/464 | Hose Assembly, Over the Mast | 7-139 | 828-000-984/002 | Stop, Carriage | 7-39 |
| 828-000-845/465 | Hose Assembly, Over the Mast | 1-32 | 828-000-984/002 | Stop, Carriage | 7-41 |
| 828-000-845/465 | Hose Assembly, Over the Mast | 7-139 | 828-000-984/003 | Stop, Carriage | 7-39 |
| 828-000-845/466 | Hose Assembly, Over the Mast | 1-32 | 828-000-984/003 | Stop, Carriage | 7-41 |
| 828-000-845/466 | Hose Assembly, Over the Mast | 7-139 | 828-000-985/001 | Stop Assembly, Carriage | 7-39 |
| 828-000-845/467 | Hose Assembly, Over the Mast | 1-32 | 828-000-985/002 | Stop Assembly (R45TT and DR32TT) | 7-39 |
| 828-000-845/467 | Hose Assembly, Over the Mast | 7-139 | 828-000-985/003 | Stop Assembly, Carriage | 7-39 |
| 828-000-845/468 | Hose Assembly, Over the Mast | 1-32 | 828-000-985/003 | Stop Assembly, Carriage | 7-49 |
| 828-000-845/468 | Hose Assembly, Over the Mast | 7-139 | 828-000-985/004 | Stop Assembly, Carriage | 7-39 |
| 828-000-845/470 | Hose Assembly, Over the Mast | 1-32 | 828-000-986 | Stop, Carriage | 7-39 |
| 828-000-845/470 | Hose Assembly, Over the Mast | 7-139 | 828-000-986 | Stop | 7-41 |
| 828-000-845/471 | Hose Assembly, Over the Mast | 1-32 | 828-000-987 | Sleeve | 7-39 |
| 828-000-845/471 | Hose Assembly, Over the Mast | 7-139 | 828-000-988 | Anchor | 7-6 |
| 828-000-845/472 | Hose Assembly, Over the Mast | 1-32 | 828-000-988 | Anchor | 7-12 |
| 828-000-845/472 | Hose Assembly, Over the Mast | 7-139 | 828-000-988 | Anchor | 7-18 |
| 828-000-845/473 | Hose Assembly, Over the Mast | 1-33 | 828-000-988 | Anchor | 7-24 |
| 828-000-845/473 | Hose Assembly, Over the Mast | 7-139 | 828-001-100 | Anchor Machining, Right | 7-6 |
| 828-000-845/474 | Hose Assembly, Over the Mast | 1-33 | 828-001-100 | Anchor Machining, Right | 7-12 |
| 828-000-845/474 | Hose Assembly, Over the Mast | 7-140 | 828-001-100 | Anchor Machining, Right | 7-18 |
| 828-000-845/476 | Hose Assembly, Over the Mast | 1-33 | 828-001-100 | Anchor Machining, Right | 7-24 |
| 828-000-845/476 | Hose Assembly, Over the Mast | 7-140 | 828-001-101 | Anchor Machining, Left | 7-6 |
| 828-000-845/477 | Hose Assembly, Over the Mast | 1-33 | 828-001-101 | Anchor Machining, Left | 7-12 |
| 828-000-845/477 | Hose Assembly, Over the Mast | 7-140 | 828-001-101 | Anchor Machining, Left | 7-18 |
| 828-000-845/478 | Hose Assembly, Over the Mast | 1-33 | 828-001-101 | Anchor Machining, Left | 7-24 |
| 828-000-845/478 | Hose Assembly, Over the Mast | 7-140 | 828-001-320 | Plug, Cylinder End Cap | 6-43 |
| 828-000-845/479 | Hose Assembly, Over the Mast | 1-33 | 828-001-335/010 | Shaft, Roller (21.50 in. Battery Compartment) | 2-14 |
| 828-000-845/479 | Hose Assembly, Over the Mast | 7-140 | 828-001-335/013 | Shaft, Roller (18.50 in. Battery Compartment) | 2-14 |
| 828-000-845/480 | Hose Assembly, Over the Mast | 1-33 | 828-001-429/005 | Spacer (15.5 in.) | 2-14 |
| 828-000-845/480 | Hose Assembly, Over the Mast | 7-140 | 828-001-429/008 | Pipe, Spacer | 2-14 |
| 828-000-845/482 | Hose Assembly, Over the Mast | 1-33 | 828-001-429/011 | Pipe, Spacer (12.50 in.) | 2-14 |
| 828-000-845/482 | Hose Assembly, Over the Mast | 7-140 | 828-001-429/881 | Spacer | 2-14 |
| 828-000-845/483 | Hose Assembly, Over the Mast | 1-33 | | | |

CLICK HERE TO **DOWNLOAD** THE COMPLETE MANUAL

- Thank you very much for reading the preview of the manual.
- You can download the complete manual from: www.heydownloads.com by clicking the link below



- Please note: If there is no response to CLICKING the link, please download this PDF first and then click on it.

CLICK HERE TO **DOWNLOAD** THE COMPLETE MANUAL