

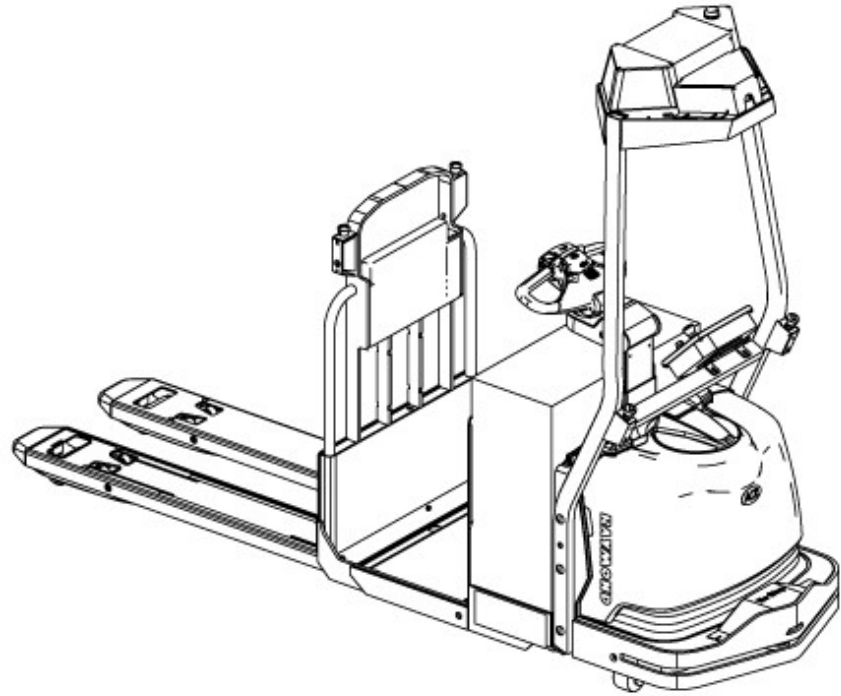
**RAYMOND**

---

# Parts Manual

---

**Model 3010/3020 Pallet Truck and Tow Tractor**



---

**Model**  
**3010, 3020**

**Serial Number**  
**20000 & up**

**1134578**

**Sep 11, 2017**

CLICK HERE TO **DOWNLOAD** THE COMPLETE MANUAL

- Thank you very much for reading the preview of the manual.
- You can download the complete manual from: [www.heydownloads.com](http://www.heydownloads.com) by clicking the link below



- Please note: If there is no response to CLICKING the link, please download this PDF first and then click on it.

CLICK HERE TO **DOWNLOAD** THE COMPLETE MANUAL

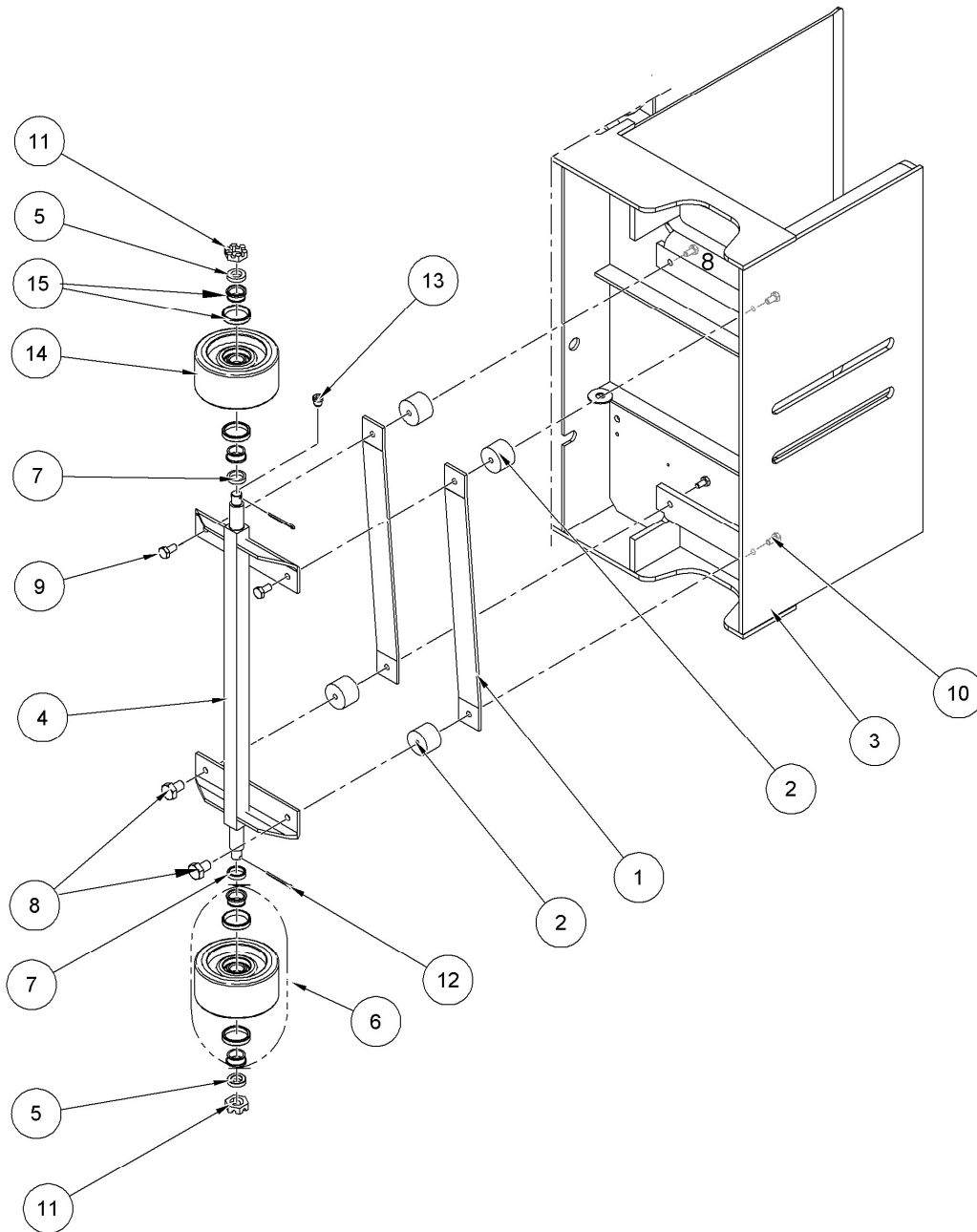
*List 1-H: Hardware (Sheet 5 of 5)*

SERVICE TYPE	PART NUMBER	DESCRIPTION	SERVICE GROUP	ITEM NO.	QTY
H	771-164/003	Washer, Flat	401	1	1
H	771-230	Washer, Flat	701	30	2
H	5-019-006	Washer, Lock	505	38	4
H	5-019-007	Washer, Lock	702	19	4
H	671-012/06	Washer, Lock	204	20	2
H	772-115	Washer, Lock	217	5	4
H	772-116	Washer, Lock	805	6	2
H	772-123	Washer, Lock	203	2	8
H	772-128	Washer, Lock	802	8	4
H	5-019-005	Washer, Lock, Spring	504	7	2
H	5-020-005	Washer, Lock, Star	501	62	1
H	1158490	Wire, Single	505	32	2

Service Type H = Hardware

## Suspension Assembly Model 3020

Figure 2-2: Suspension Assembly Model 3020

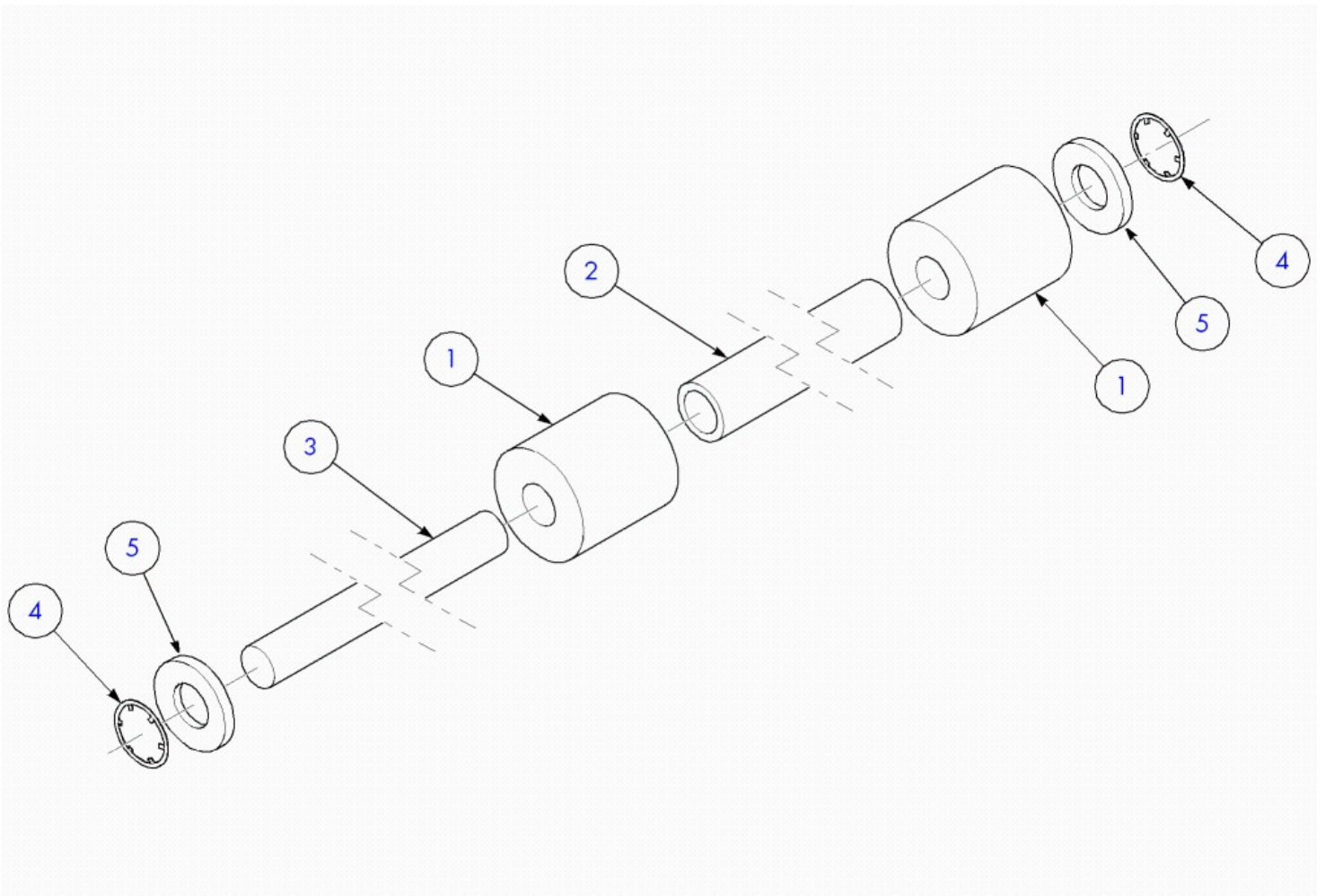


List 2-5: Finish Instructions (Sheet 1 of 2)

FIGURE 2-5 ITEM NO.	QTY	PART NUMBER	DESCRIPTION	SERVICE TYPE	USED ON
			Finish Instructions		
1	1	1149823	Decal, Caution		
	1	1181653	Decal, Caution French		
2	1	313159-001	Decal, Emergency Disconnect		
3	1	1040645	Decal, Warning (English)		
4	2	1063015/001	Decal, Label, Specification Plate		
5	1	1149824	Decal, Max. Grade		
	1	1181655	Decal, Max. Grade French		
6	1	1040647	Decal, Caution (Bilingual)		
7	1	313939-001	Decal, Emergency Disconnect, Bilingual		
8	2	1063015/002	Decal, Label, Specification Plate (Canada)		
9	1	1103099	Decal, Warning (English)		
10	1	1063014/001	Decal, Label, Specification, Tow		
11	1	1040651	Decal, Warning, Tow (Bilingual)		
12	1	1063014/002	Decal, Label, Specification, Tow (Bilingual), 87.1mm X 113.3mm		
13	1	1021849	Decal, Replacement Driver Operating Instructions Manual (Bilingual)		
14	1	411-783/003	Decal, No Step		
15	1	1181654	Decal, No Step French		
	1	1021850	Decal, Operating Instructions, Bilingual-French (Owner/Operator Manual)		
16	1	1040540	Decal, ACR		
17	4	49659-00	Retainer		
18	1	1149825	Decal, Unauthorized Riding		
19	2	1149826	Decal, Unauthorized Riding		
20	1	1067808	Holder, Manual Pocket		
21	1	1040655	Decal, Operator Instructions Manual (English)		
22	1	1017303	Decal, Operator Manual		
24	1	1049827	Decal, Unauthorized Riding		
25	1	1201030	Decal Hook		
27	1	1040657	Decal, Warning (English)		
28	1	1040659	Decal, Warning (French)		
29	1	1178907	Decal Load Boundry		
30	1	1200926	Decal Load Boundry		
31	1	1195750	Decal, Warning		
32	1	1192700	Decal, Warning		
33	1	1181657	Decal, Warning		
37	2	1181656	Decal Unauthorized Riding		
38	1	1181658	Decal Load Boundry, French		

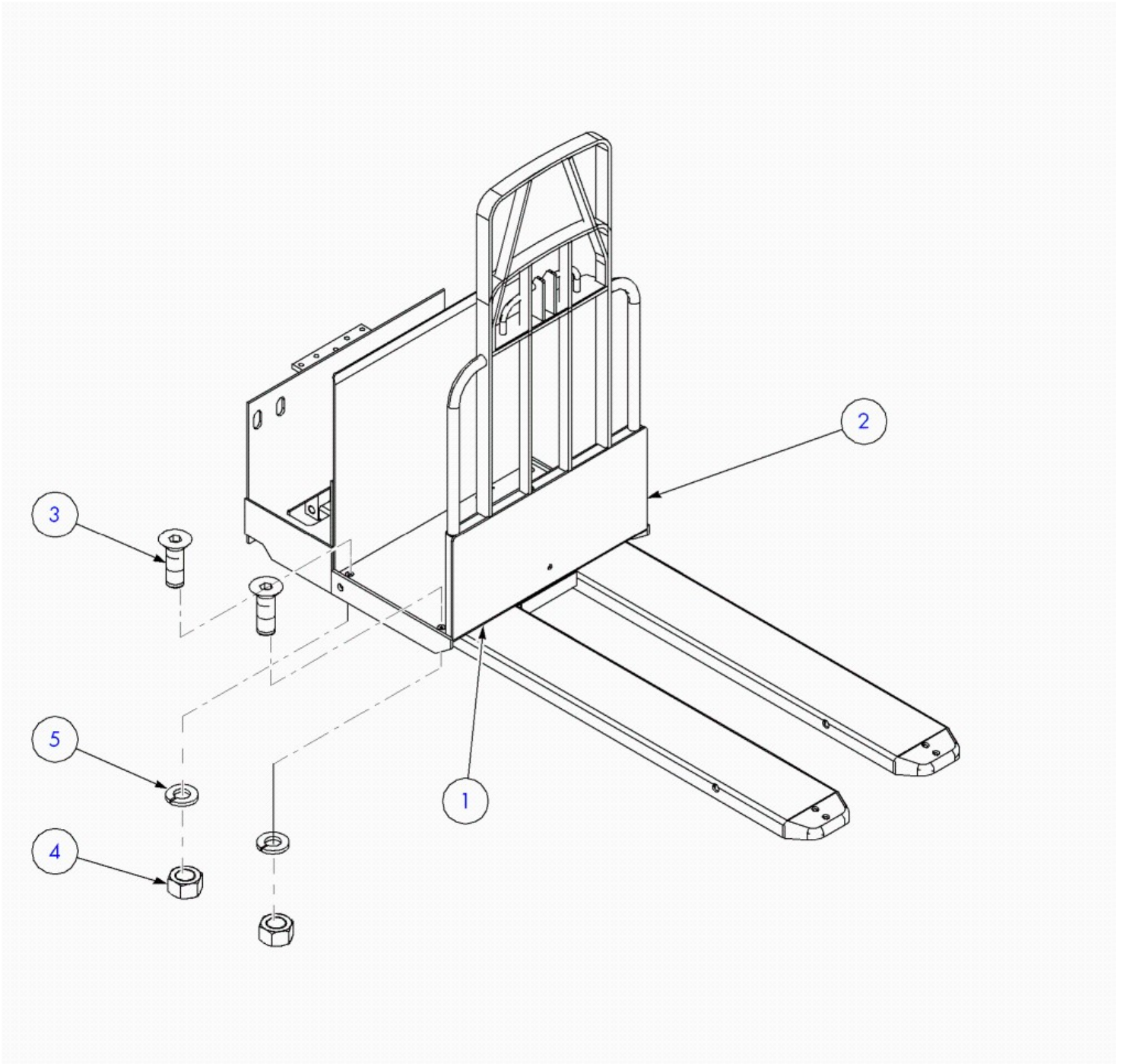
## Battery Roller Installation

Figure 2-10: Battery Roller Installation



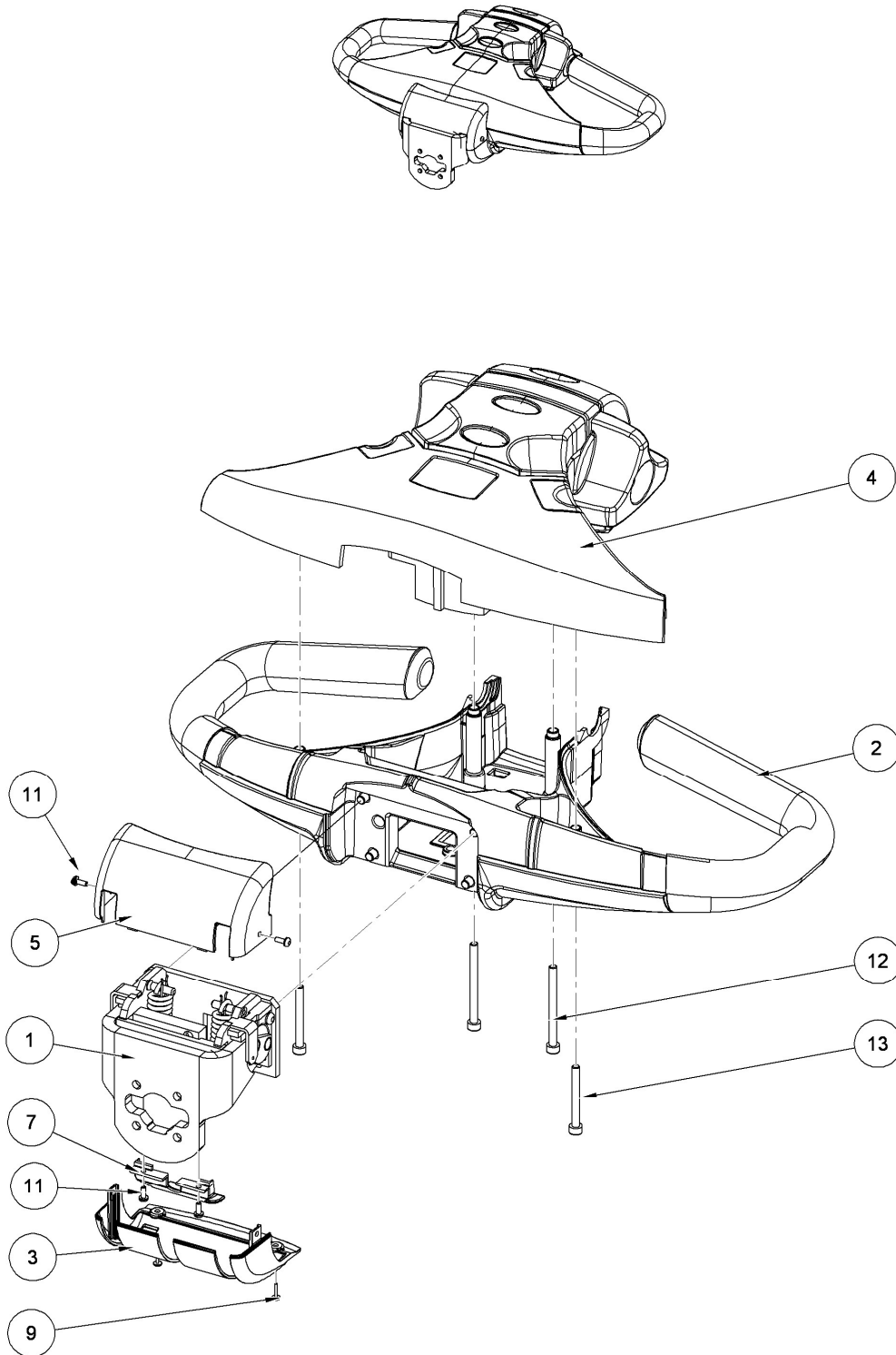
## Platform Installation

Figure 2-17: Platform Installation



### Control Handle Assembly

Figure 3-4.a: Control Handle Assembly



List 3-7: Brake Actuator Assembly

FIGURE 3-7 ITEM NO.	QTY	PART NUMBER	DESCRIPTION	SERVICE TYPE	USED ON
			Brake Actuator Assembly		
		1126996/001	Control Handle Assembly, Standard	C	
		253748-00	Actuator Assembly, Brake	R	
1	1	252455-00	Mount, Bottom, Actuator		
2	1	253740-00	Mount, Top, Actuator		
3	1	253741-00	Shaft, Spring		
4	2	253742-00	Guide, Shaft		
5	1	253743	Plate, Sensor		
6	2	253745-00	Stop		
7	2	253746-00	Spring	R	
8	2	202319-00	Bushing	R	
9	2	253749-00	Retainer, Spring		
10	1	224974	Sensor	R	
11	4	10150072-51	Screw	H	
12	2	10150071-60	Screw	H	
13	2	10150071-78	Screw	H	
14	1	275013-06	Screw	H	

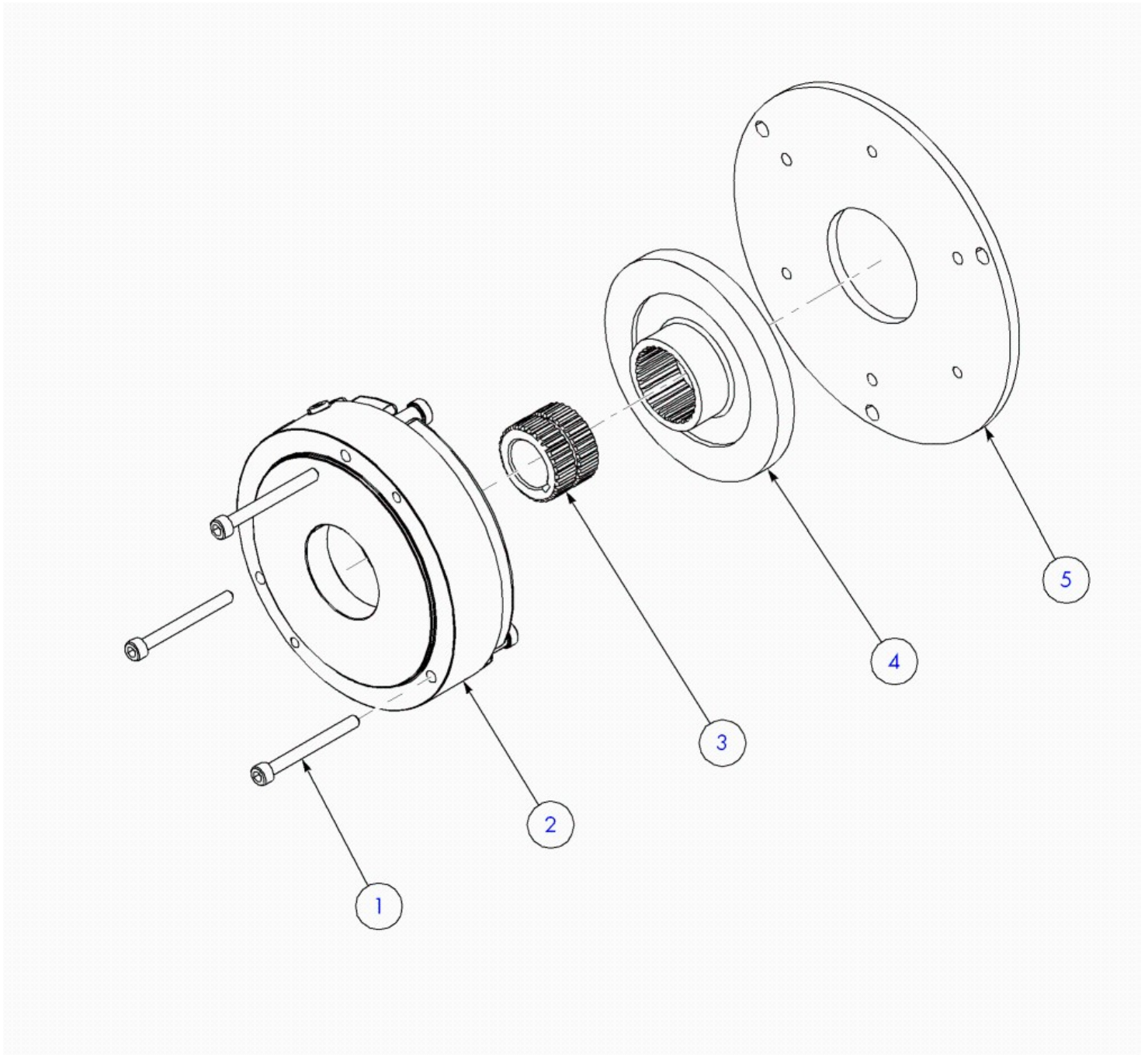
Service Type R = Recommended Spare

Service Type C = Critical Part

Service Type H = Hardware

## Brake Assembly

Figure 4-2: Brake Assembly



CLICK HERE TO **DOWNLOAD** THE COMPLETE MANUAL

- Thank you very much for reading the preview of the manual.
- You can download the complete manual from: [www.heydownloads.com](http://www.heydownloads.com) by clicking the link below



- Please note: If there is no response to CLICKING the link, please download this PDF first and then click on it.

CLICK HERE TO **DOWNLOAD** THE COMPLETE MANUAL

**RAYMOND**

*List 5-3: Keyswitch Installation*

FIGURE 5-3 ITEM NO.	QTY	PART NUMBER	DESCRIPTION	SERVICE TYPE	USED ON
			Keyswitch Installation		
1	1	1020341/002	Switch, Key (Includes Key Set)	R	
	1	1020341/003	Switch, Key (2-Position) (Includes:)	R	
	1	590-004/01	Key, Set (2)	R	
2	1	1-150-376	Switch, Rotary, Keyless	R	
3	1	1-150-376/01	Nut, Face	H	
4	1	1045156	Decal, Key Switch, 2 Position		

Service Type R = Recommended Spare

Service Type H = Hardware

*List 5-5: Arch Installation (Sheet 2 of 2)*

FIGURE 5-5 ITEM NO.	QTY	PART NUMBER	DESCRIPTION	SERVICE TYPE	USED ON
39	3	1187381	Pin, Clevis		
40	3	1191929	Washer, Wave, Spring		
41	3	5-027-010	Pin, Cotter		

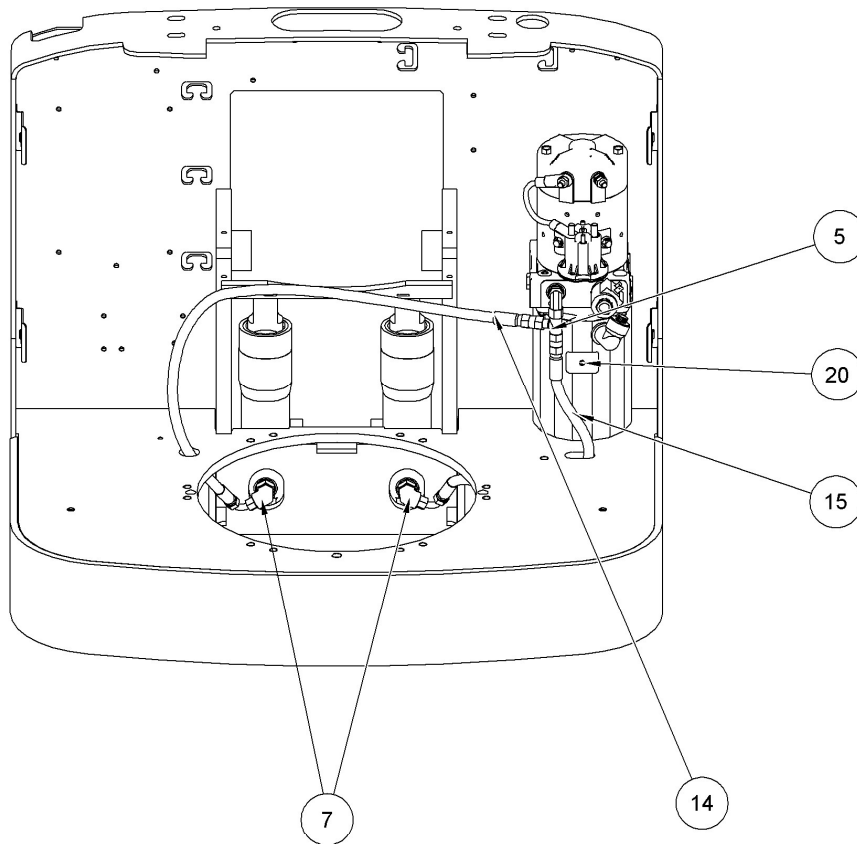
Service Type R = Recommended Spare

Service Type C = Critical Part

Service Type H = Hardware

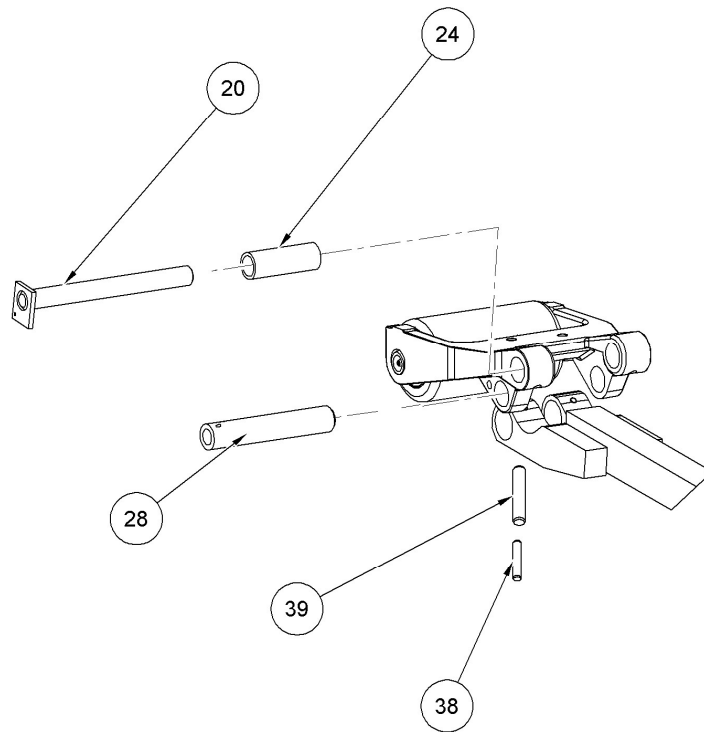
## Hydraulic System

Figure 6-1.c: Hydraulic System



## Fork Attachment Assembly

Figure 7-1.c: Fork Attachment Assembly



List 7-2: Fork Linkage, Model 3010 (Sheet 2 of 3)

FIGURE 7-2 ITEM NO.	QTY	PART NUMBER	DESCRIPTION	SERVICE TYPE	USED ON
	2	1143029/506	Fork Trail Machining (Tandem, Galvanized, Greasable, No Debris)		AB
13	1	1116817/001	Bell Crank, 6K, Left-Hand (Painted, Non-Greaseable)		A
	1	1116817/002	Bell Crank, 6K, Left-Hand (Painted, Greaseable)		A
	1	1116817/501	Bell Crank, 6K, Left-Hand (Galvanized, Non-Greaseable)		A
	1	1116817/502	Bell Crank, 6K, Left-Hand (Galvanized, Greaseable)		A
	1	1116819/001	Bell Crank, 8K, Left-Hand (Painted, Non-Greaseable)		B
	1	1116819/002	Bell Crank, 8K, Left-Hand (Painted, Greaseable)		B
	1	1116819/501	Bell Crank, 8K, Left-Hand (Galvanized, Non-Greaseable)		B
	1	1116819/502	Bell Crank, 8K, Left-Hand (Galvanized, Greaseable)		B
14	1	1116818/001	Bell Crank, 6K, Right-Hand (Painted, Non-Greaseable)		A
	1	1116818/002	Bell Crank, 6K, Right-Hand (Painted, Greaseable)		A
	1	1116818/501	Bell Crank, 6K, Right-Hand (Galvanized, Non-Greaseable)		A
	1	1116818/502	Bell Crank, 6K, Right-Hand (Galvanized, Greaseable)		A
	1	1116820/001	Bell Crank, 8K, Right-Hand (Painted, Non-Greaseable)		B
	1	1116820/002	Bell Crank, 8K, Right-Hand (Painted, Greaseable)		B
	1	1116820/501	Bell Crank, 8K, Right-Hand (Galvanized, Non-Greaseable)		B
	1	1116820/502	Bell Crank, 8K, Right-Hand (Galvanized, Greaseable)		B
15	1	1068074/002	Linkage Assembly, Top W/O Fitting Hole (Includes:)		AB
	2	1067382/002	Linkage, Top W/O Fitting Hole		AB
16	2	850-138-802	Guard, Load Wheel, Debris		AB
17	4	5-003-023	Screw	H	AB
18	4	5-018-007	Washer, Flat	H	AB
19	4	5-019-007	Washer, Lock	H	AB
20	2	1050092/035	Bearing, Sleeve (Non-Greaseable)	R	AB
	2	7-460-005/001	Bearing, Sleeve (Greaseable)	R	AB
21	2	1050091/035	Bearing, Sleeve	R	AB
22	4	1050090/002	Bearing, Composite (Non-Greaseable)	R	B
	4	780-330/001	Bearing, Sleeve, Grooved	R	A
	4	780-330/002	Bearing, Sleeve, Grooved	R	B
	4	1050090/001	Bearing, Sleeve, Flanged	R	A
23	6	840-018	Fitting, Grease		AB
24	8	840-033	Fitting, Grease	H	AB
26	2	1116790/002	Block, Pivot, Right-Hand		AB
	2	1116790/502	Block, Pivot, Right-Hand (Galvanized)		AB

A = 6K

B = 8K

Service Type R = Recommended Spare

Service Type H = Hardware

*List 7-6: Load Wheel Assembly, Triple Single*

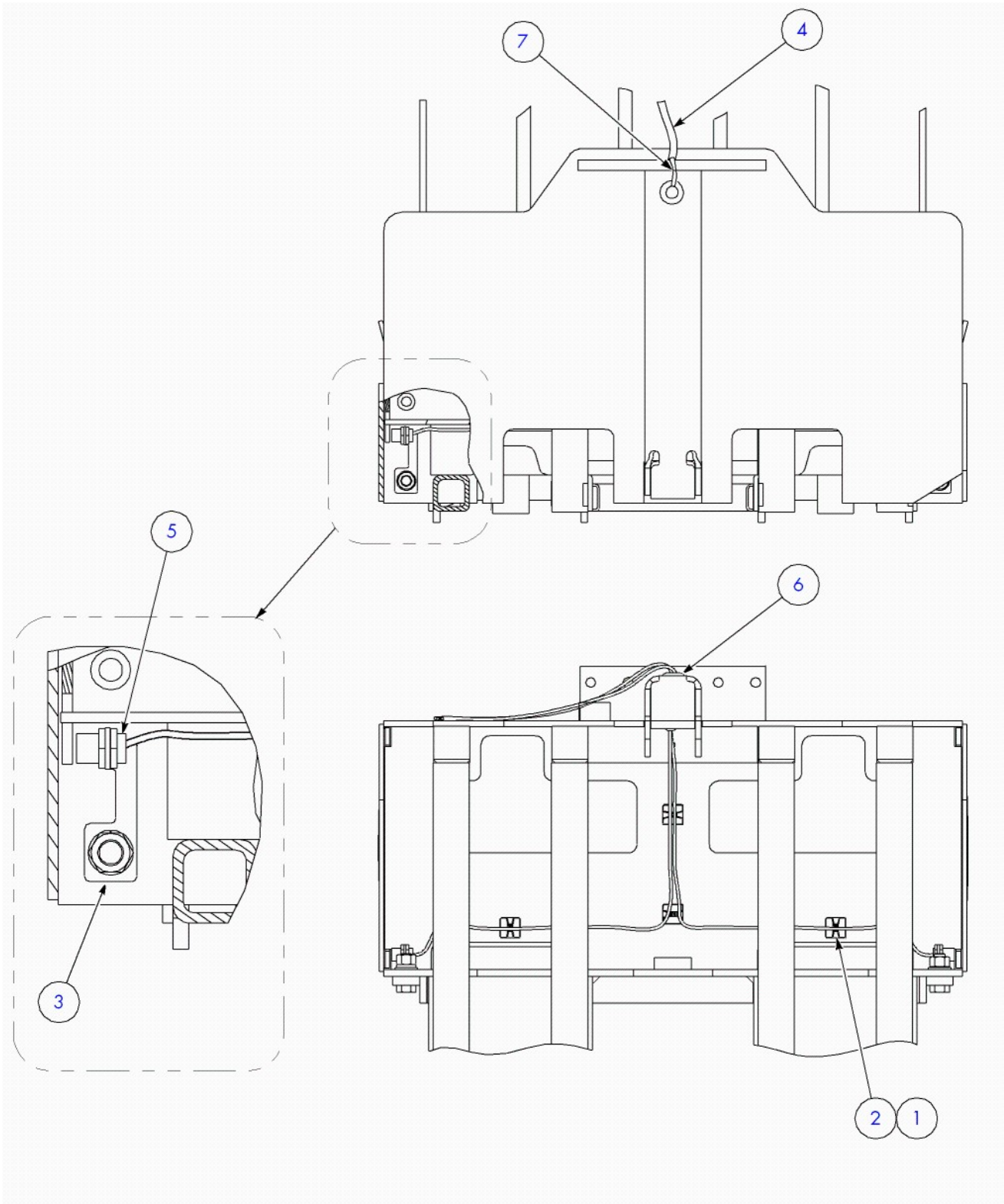
FIGURE 7-6 ITEM NO.	QTY	PART NUMBER	DESCRIPTION	SERVICE TYPE	USED ON
			Load Wheel Assembly, Triple Single		
		1118682/001	Load Wheel Assembly, Single Axle, Triple Wheels		
1	1	1118777	Wheel, Load, Triple	R	
	1	939-WHL/KITGL	Kit, Wheel, Load, Triple	R	
2	1	1119325	Shaft		
3	2	771-156	Washer, Flat	H	
4	1	810-747	Pin, Spiral		

Service Type R = Recommended Spare

Service Type H = Hardware

### Battery Gate Interlock

Figure 8-1.a: Battery Gate Interlock



List 8-6: Auxiliary Power Hook-Up

FIGURE 8-6 ITEM NO.	QTY	PART NUMBER	DESCRIPTION	SERVICE TYPE	USED ON
			Auxiliary Power Hook-Up		
		1097669/004	Power Hook-Up, Auxillary (Standard, W/ Electric Steer)		
		1097669/005	Power Hook-Up, Auxillary (2 Amp W/ Electric Steer)		
		1097669/006	Power Hook-Up, Auxillary (10 Amp W/ Electric Steer)		
1	1	411-826	Decal, 10 Amp		
2	1	412-746	Decal, 15 Amp Fuse		
3	1	590-507	Fuse, 10 Amp	R	
4	1	590-514	Fuse, 15 Amp	R	
5	1	1-030-001	Strip, Terminal		
6	1	1-030-002	Strip, Terminal, Marker-Insulator		
7	7	1018204/012	Screw	H	
	1	5-010-005	Screw	H	
8	1	310100-016	Decal, 30 Amp		
9	1	310100-013	Decal, 15 Amp		
10	1	310100-014	Decal, 10 Amp		
11	1	850-136-863	Block, Fuse		
12	1	310100-015	Decal, 15 Amp		
13	1	1097279	Bracket		
14	1	590-575/001	Block, Fuse Holder		
15	1	25275-13	Fuse, 30 Amp (Not Shown)		

Service Type R = Recommended Spare

Service Type H = Hardware

Model 3010/3020 Pallet Truck and Tow Tractor - Alphabetical Parts Index

Description	Part No.	Page	Description	Part No.	Page
Nut	5-015-003	4-3	Pin, Eccentric (Stainless)	1044707/501	7-10
Nut	1162819	5-19	Pin, Eccentric (Stainless)	1072603/002	7-10
Nut	750-006	5-23	Pin, Eccentric (Stainless) (8K)	1072666/002	7-10
Nut	5-015-002	5-23	Pin, Eccentric (Standard)	1044707/001	7-10
Nut	5-015-007	5-25	Pin, Eccentric (Standard)	1072603/001	7-10
Nut	750-234	7-9	Pin, Eccentric (Standard) (8K)	1072666/001	7-10
Nut	760-019	7-30	Pin, Slotted (Stainless)	1143020/101	7-11
Nut	760-920	7-30	Pin, Slotted (Stainless)	1143020/201	7-11
Nut, Clamp	1020548/004	1-2	Pin, Spiral	810-763	7-9
Nut, Clamp	761-870/15	1-2	Pin, Spiral	1026370	7-9
Nut, Clamp	1020548/004	4-11	Pin, Spiral	1026376	7-9
Nut, Clamp	761-870/15	4-11	Pin, Spiral	1026376	7-10
Nut, Face	1-150-376/01	1-2	Pin, Spiral	810-747	7-20
Nut, Face	1-150-376/01	5-10	Pin, Spiral	810-747	7-22
Nut, Flange Lock	310959-008	1-2	Pin, Spiral	810-747	7-24
Nut, Flange Lock	310959-008	2-19	Pin, Spirol	810-846	1-2
Nut, Hex	5-015-006	1-2	Pin, Spirol	810-777	8-8
Nut, Hex	5-015-008	1-2	Pin, Spirol	810-846	8-8
Nut, Hex	750-033	1-2	Pin, Tractor, Link, Support (Plated) (Greaseable)	1023724/101	7-9
Nut, Hex	750-054	1-2	Pin, Tractor, Link, Support (Plated) (Non-Greaseable)	1023724/102	7-9
Nut, Hex	5-015-006	2-3	Pin, Tractor, Link, Support (Stainless) (Greaseable)	1023724/501	7-9
Nut, Hex	5-015-006	2-21	Pin, Tractor, Link, Support (Stainless) (Non-Greaseable)	1023724/502	7-9
Nut, Hex	750-033	2-33	Pin, Tractor, Link, Support (Standard) (Greaseable)	1023724/001	7-9
Nut, Hex	5-015-006	3-22	Pin, Tractor, Link, Support (Standard) (Non-Greaseable)	1023724/002	7-9
Nut, Hex	5-015-008	4-3	Pipe, Spacer	828-001-429/007	2-23
Nut, Hex	750-054	8-8	Pipe, Spacer	1045246/001	7-10
Nut, Hex, Flange Lock	1169843/002	1-2	Piston, Machined	540-116/412	6-10
Nut, Hex, Flange Lock	1169843/003	1-2	Pivot, Load Wheel	1110867	7-26
Nut, Hex, Flange Lock	1169843/002	5-5	Pivot, Load Wheel	1110867	7-28
Nut, Hex, Flange Lock	1169843/003	5-19	Plate	202281-00	3-10
Nut, Hex, Flange Lock, M5	1169843/001	1-2	Plate, Cover, 7 Screw	1060658	4-11
Nut, Hex, Flange Lock, M5	1169843/001	5-19	Plate, Cover, 8 Screw	1060232	4-11
Nut, Hex, Flange, Lock	1169843/005	1-2	Plate, Mounting	671-015/102	2-7
Nut, Hex, Flange, Lock	1169843/005	5-19	Plate, Sensor	253743	3-18
Nut, Hex, Jam	1136696	1-2	Plate, Sensor Flag	1106013	3-22
Nut, Hex, Jam	1136696	4-8	Plate, Symbol, Blank	171583	3-13
Nut, Hex, Lock	5-015-004	1-2	Plate, Symbol, Fork Lift	171585-002	3-13
Nut, Hex, Lock	5-015-004	5-5	Plate, Symbol, Fork Lower	171585-001	3-13
Nut, Hex, Lock	5-015-004	5-23	Platform Installation		2-33
Nut, Hex, Slotted	761-856	1-2	Plug, Breather	1125006/05	6-8
Nut, Hex, Slotted	761-856	2-3	Plug, Dipstick	828-005-446	4-8
Nut, Jam	7-750-412	1-2	Plug, Mechanical	1146735	2-31
Nut, Jam	7-750-412	7-10	Plug, Mechanical	782-422	4-8
Nut, Lock	760-006	1-2	Plug, Pipe, Magnetic	223-000-701	4-10
Nut, Lock	540-047/417	6-10	Positioner, Potentiometer	202280-00	1-11
Nut, Lock	760-006	7-32	Positioner, Potentiometer	202280-00	3-16
Pin	202290-00	3-16	Post Weldment	1120659	3-5
Pin	810-762	7-26	Post Weldment	1120991	3-5
Pin	810-762	7-28	Post Weldment, Arch	1191534	5-19
Pin	853-017-051	8-8	Power Hook-Up, Auxillary (10 Amp W/ Electric Steer)	1097669/006	8-12
Pin Weldment, Top Link	850-138-963/101	7-9	Power Hook-Up, Auxillary (2 Amp W/ Electric Steer)	1097669/005	8-12
Pin Weldment, Top Link (Stainless)	850-138-963/501	7-9	Power Hook-Up, Auxillary (Standard, W/ Electric Steer)	1097669/004	8-12
Pin Weldment, Top Link (Standard)	850-138-963/001	7-9	Power Steering Installation		3-22
Pin, Clevis	1187381	5-20	Power Supply	1141783	1-7
Pin, Cotter	810-930	1-11			
Pin, Cotter	810-930	2-3			
Pin, Cotter	5-027-010	5-20			
Pin, Drive	671-015/07	2-7			
Pin, Eccentric (Plated)	1044707/101	7-10			
Pin, Eccentric (Plated)	1072603/003	7-10			
Pin, Eccentric (Plated) (8K)	1072666/003	7-10			

CLICK HERE TO **DOWNLOAD** THE COMPLETE MANUAL

- Thank you very much for reading the preview of the manual.
- You can download the complete manual from: [www.heydownloads.com](http://www.heydownloads.com) by clicking the link below



- Please note: If there is no response to CLICKING the link, please download this PDF first and then click on it.

CLICK HERE TO **DOWNLOAD** THE COMPLETE MANUAL