

**Ersatzteilliste
Pièces de rechange
Spare parts list**

**Zweischeiben-
Düngerstreuer**

**Distributeur d'engrais
centrifuge**

**Twin-disc fertilizer
spreader**

AXIS-H

50.1 EMC+W

Kat. III

31500 -

0608892 A -AXIS-H 50.1 EMC+W - 0313E

CLICK HERE TO **DOWNLOAD** THE COMPLETE MANUAL

- Thank you very much for reading the preview of the manual.
- You can download the complete manual from: www.heydownloads.com by clicking the link below



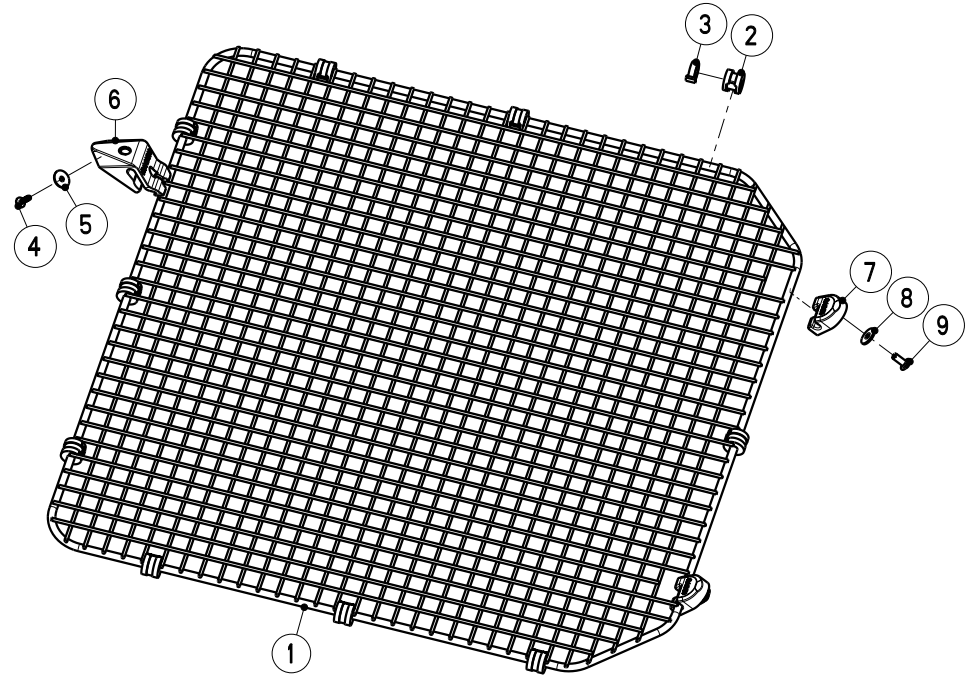
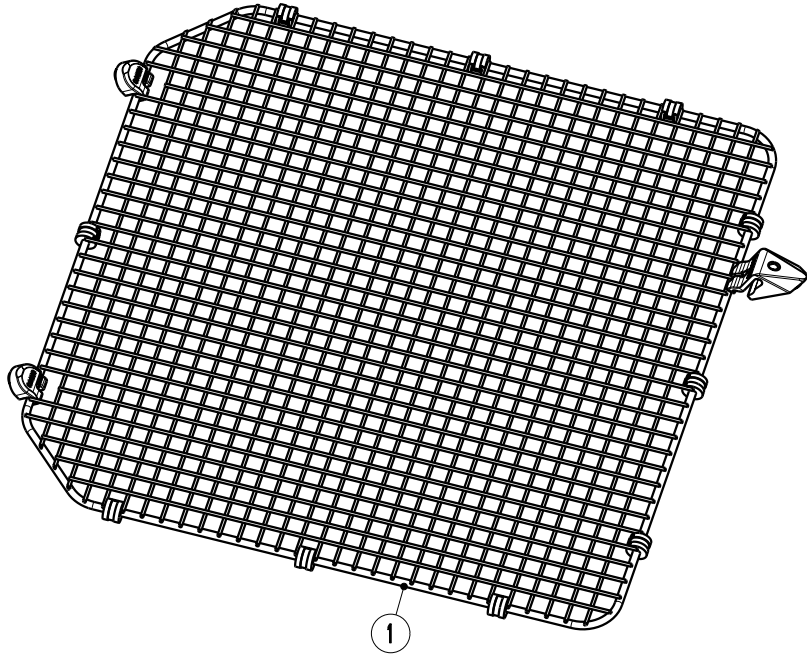
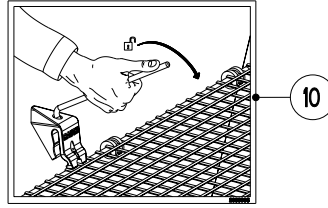
- Please note: If there is no response to CLICKING the link, please download this PDF first and then click on it.

CLICK HERE TO **DOWNLOAD** THE COMPLETE MANUAL

RAUCH Landmaschinenfabrik GmbH

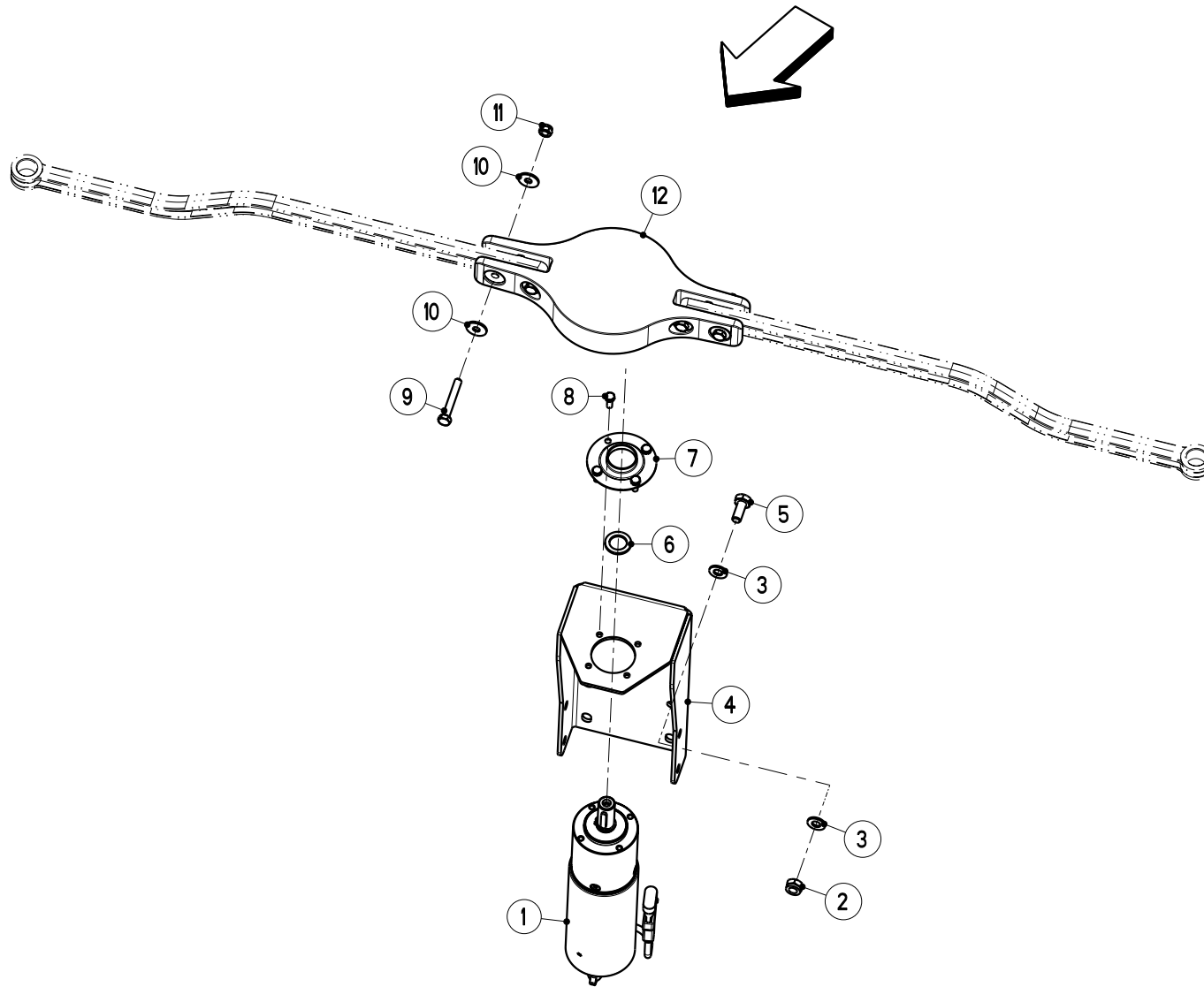
Datum: 2013/03/15-08:15:15

| | | | | | | | |
|------------------------|---------|---------|---|---|--------|---------------------------------------|--------------------------------------|
| Serie | 31500 - | | Ers. durch/Remplacé par/ Replaced by | * | | Ers. für/Remplace pour/Replace for | * |
| Grp.-Nr./Art.-Nr./Rev. | 0037 | E087022 | A | Wurfscheibe S8-VxR-30-42m - orange | Groupe | Disque de distribution | Group Spreading disc |
| Serie | 31500 - | | Ers. durch/Remplacé par/ Replaced by | * | | Ers. für/Remplace pour/Replace for | * |
| Grp.-Nr./Art.-Nr./Rev. | 0038 | E087052 | A | Wurfluegelsatz Schneckenkorn Z18-L/R-f.S8 | Groupe | Kit de Palette -Anti-limaces- | Group Blade kit -Slug killer- |
| Serie | 31500 - | | Ers. durch/Remplacé par/ Replaced by | * | | Ers. für/Remplace pour/Replace for | * |
| Grp.-Nr./Art.-Nr./Rev. | 0039 | E087098 | A | Wurfscheibe S10-VxR-36-48m - blau | Groupe | Disque de distribution | Group Spreading disc |
| Serie | 31500 - | | Ers. durch/Remplacé par/ Replaced by | * | | Ers. für/Remplace pour/Replace for | * |
| Grp.-Nr./Art.-Nr./Rev. | 0040 | E087099 | A | Wurfscheibe S12-VxR-42-50m - schwarz | Groupe | Disque de distribution | Group Spreading disc |
| Serie | 31500 - | | Ers. durch/Remplacé par/ Replaced by | * | | Ers. für/Remplace pour/Replace for | * |
| Grp.-Nr./Art.-Nr./Rev. | 0041 | E087119 | A | Praxis-Pruefset PPS 5 | Groupe | Jeu de controle | Group Test kit |
| Serie | 31500 - | | Ers. durch/Remplacé par/ Replaced by | * | | Ers. für/Remplace pour/Replace for | * |
| Grp.-Nr./Art.-Nr./Rev. | 0042 | E087100 | B | Aufsatz GLB 1200 | Groupe | Rehausse | Group Extension |



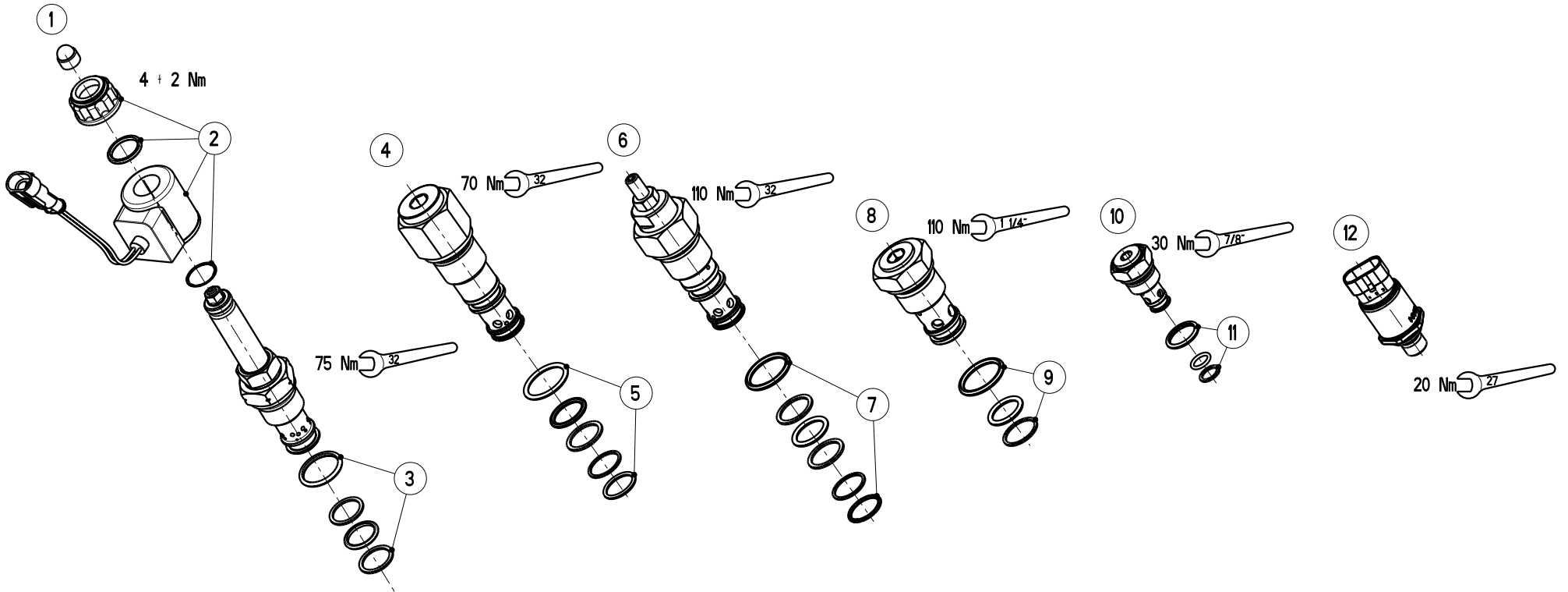
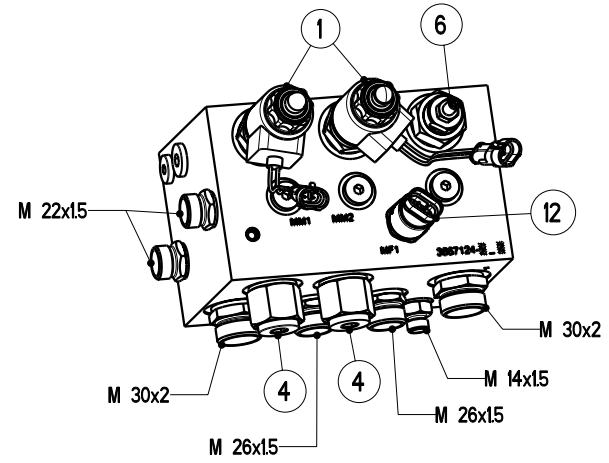
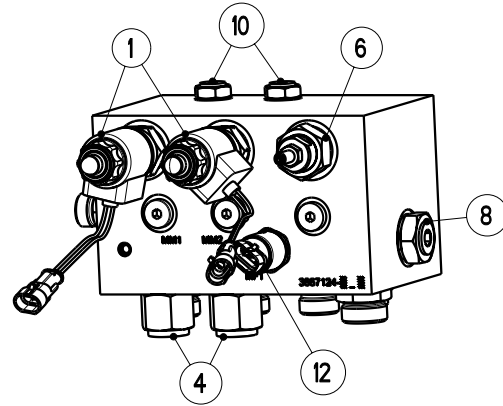
| | | | | | |
|------------------------|---------------------|---|-----------------------------------|---------------------------------------|-----------------------------------|
| Artikelnummer/Version | 0608892 | A | AXIS-H 50.1 EMC+W-Kat. III | AXIS-H 50.1 EMC+W-Cat. III | AXIS-H 50.1 EMC+W-Cat. III |
| Grp.-Nr./Art.-Nr./Rev. | 0006 E087121 | A | Aufstieg | Groupe Avancement | Group Avancement |
| | | | kpl.-FR rechts | | |
| Serie | 31500 - | Ers. durch/Remplacé par/ Replaced by | * | Ers. für/Remplace pour/Replace for | * |

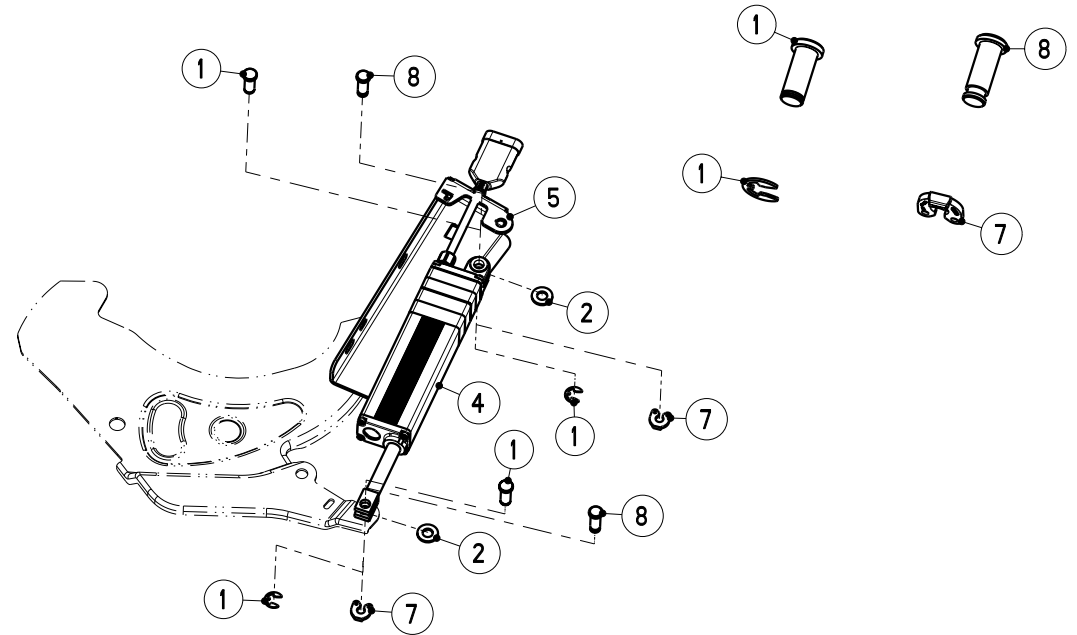
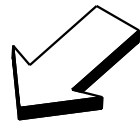
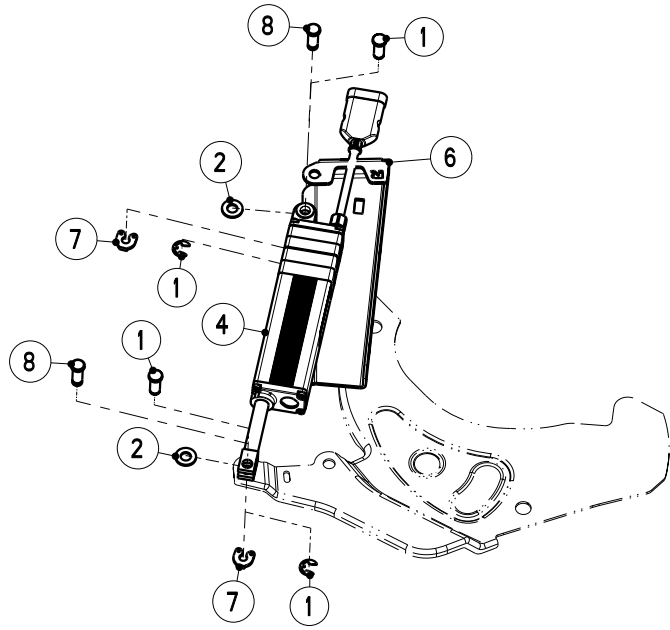
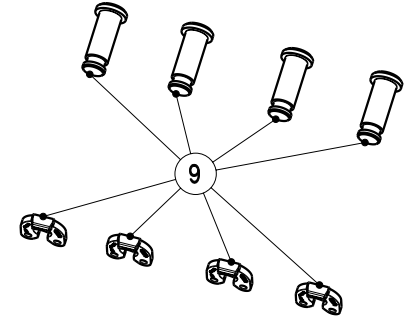
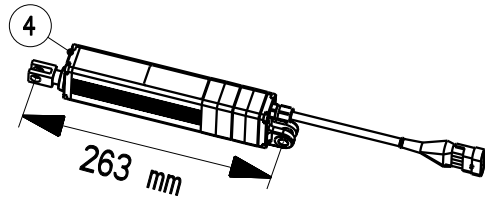
| Bild Fig. | Art.-Nr. | St. Qt. | Serie von | Serie bis | Benennung Bezeichnung | Designation Bemerkung/Remarque/Remark | Description Ers. durch/Remplacé par/Replaced by |
|--------------|----------|------------|--------------|--------------|--|--|--|
| 0001 | 2152244 | 1 | | | Linsenflanschschraube M 8x45-A2-70 | Vis a tete cylindrique bombée | Binding head screw * |
| 0002 | 2056420 | 1 | | | Distanzbuchse Da=20-Di=8.2-L=24.5 | Bague | Bush * |
| 0003 | 3087339 | 1 | | | Verdrehsicherung * | Securite antirotation | Locking device * |
| 0004 | 2056419 | 1 | | | Drehfeder Di=21.5-d=3.5-5.5 Wdg | Ressort de torsion | Torsion spring * |
| 0005 | 2056421 | 1 | | | Hebel schwarz | Levier | Lever * |
| 0006 | 2115639 | 5 | | | Scheibe DIN 125-8.4-200HV-A2 | Rondelle plate | Flat washer * |
| 0007 | 2123770 | 11 | | | Sechskantmutter DIN 985-M 8-A2-70-Nytorq-Bes. | Ecrou autofreine | Self-locking hexagon nut * |
| 0008 | 2152742 | 6 | | | Linsenflanschschraube M 8x30-A2-70 | Vis a tete cylindrique bombée | Binding head screw * |
| 0009 | 2056422 | 2 | | | Einrastelement schwarz | Plate | Plate * |



| | | | | | |
|------------------------|---------------------|---|---|---------------------------------------|-----------------------------------|
| Artikelnummer/Version | 0608892 | A | AXIS-H 50.1 EMC+W-Kat. III | AXIS-H 50.1 EMC+W-Cat. III | AXIS-H 50.1 EMC+W-Cat. III |
| Grp.-Nr./Art.-Nr./Rev. | 0013 E087126 | B | Getriebeeinheit links + rechts | Groupe Boitier multiplicier | Group Gear multiplier |
| Serie | 31500 - | Ers. durch/Remplacé par/ Replaced by | * | Ers. für/Remplace pour/Replace for | * |

| Bild Fig. | Art.-Nr. | St. Qt. | Serie von | Serie bis | Benennung Bezeichnung | Designation Bemerkung/Remarque/Remark | Description Ers. durch/Remplacé par/Replaced by |
|--------------|----------|------------|--------------|--------------|---|--|--|
| 0001 | 2123734 | 2 | | | Sechskantschraube ISO 4017-M 8x14-A2-70 | Vis H | Hexagon screw * |
| 0002 | 2115639 | 2 | | | Scheibe DIN 125-8.4-200HV-A2 | Rondelle plate | Flat washer * |
| 0003 | 2056835 | 2 | | | Sensor kpl.-EMC | Capteur | Sensor * |
| 0004 | 2123745 | 4 | | | Sechskantschraube ISO 4017-M 10x40-A2-70 | Vis H | Hexagon screw * |
| 0005 | 2115641 | 8 | | | Scheibe DIN 125-10.5-200HV-A2 | Rondelle plate | Flat washer * |
| 0006 | 2123852 | 4 | | | Sechskantmutter DIN 985-M 10-A2-70-Nytorq-Bes. | Ecrou autofreine | Self-locking hexagon nut * |
| 0007 | 2152868 | 2 | | | O-Ring 85x2.5-NBR 70' | Joint torique | O-Ring * |
| 0008 | 3087368 | 1 | | | Hydromotor 15 ccm-kpl.-RAL 7021-LL | Moteur hydraulique | Hydraulic motor * |
| 0009 | 3087369 | 1 | | | Hydromotor 15 ccm-kpl.-RAL 7021-RL | Moteur hydraulique | Hydraulic motor * |





CLICK HERE TO **DOWNLOAD** THE COMPLETE MANUAL

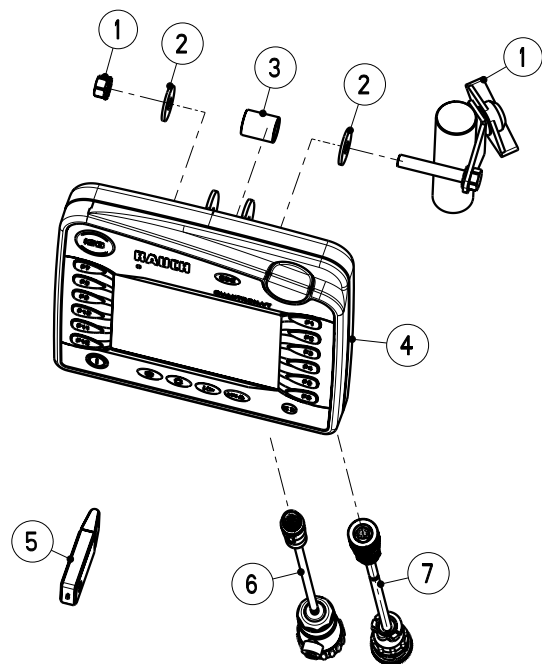
- Thank you very much for reading the preview of the manual.
- You can download the complete manual from: www.heydownloads.com by clicking the link below

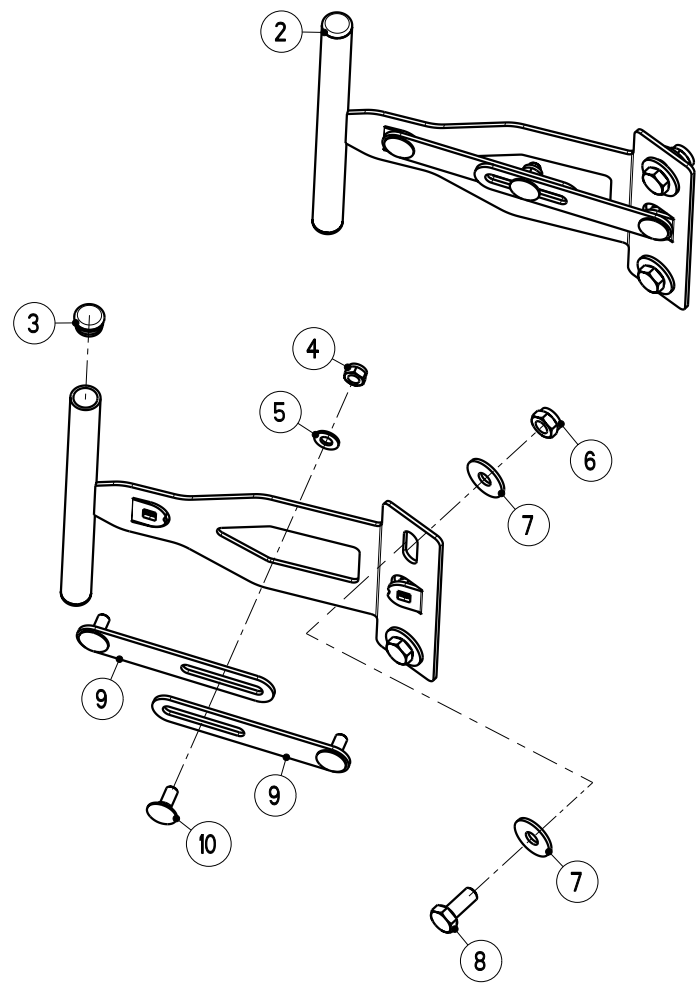


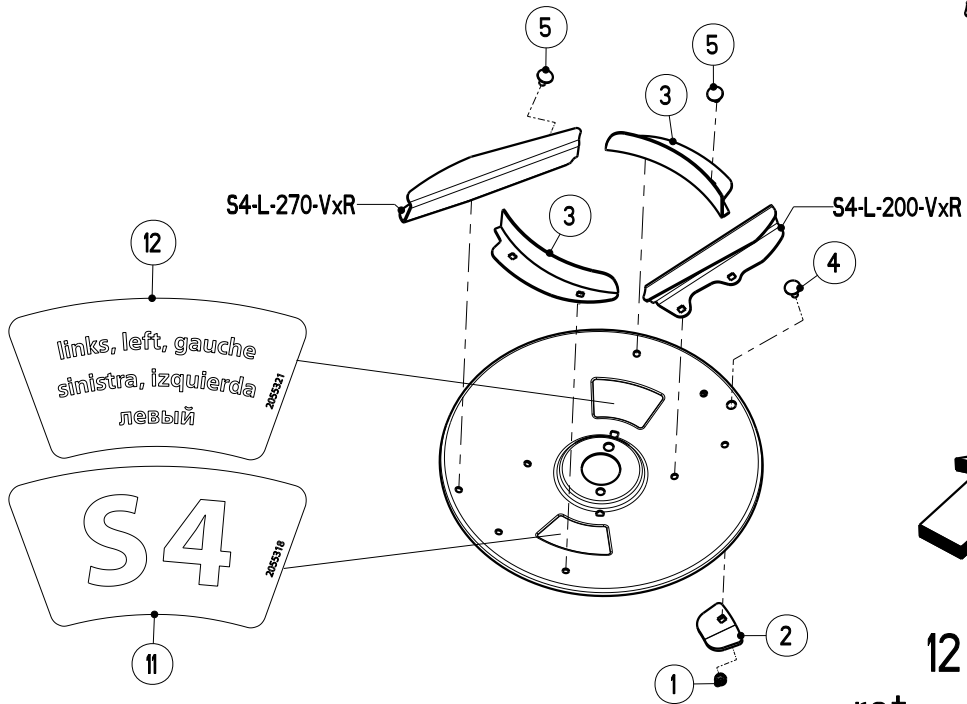
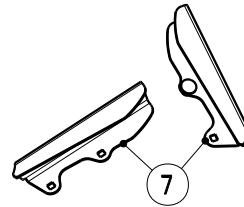
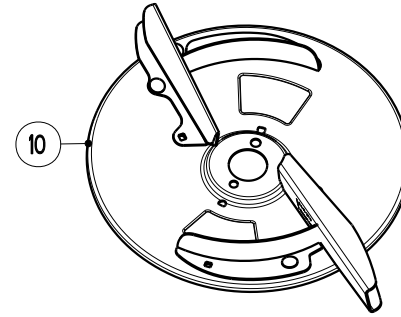
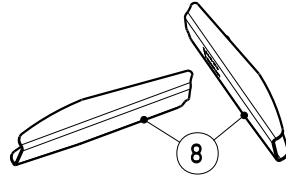
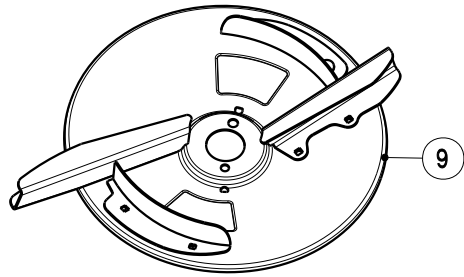
- Please note: If there is no response to CLICKING the link, please download this PDF first and then click on it.

CLICK HERE TO **DOWNLOAD** THE COMPLETE MANUAL

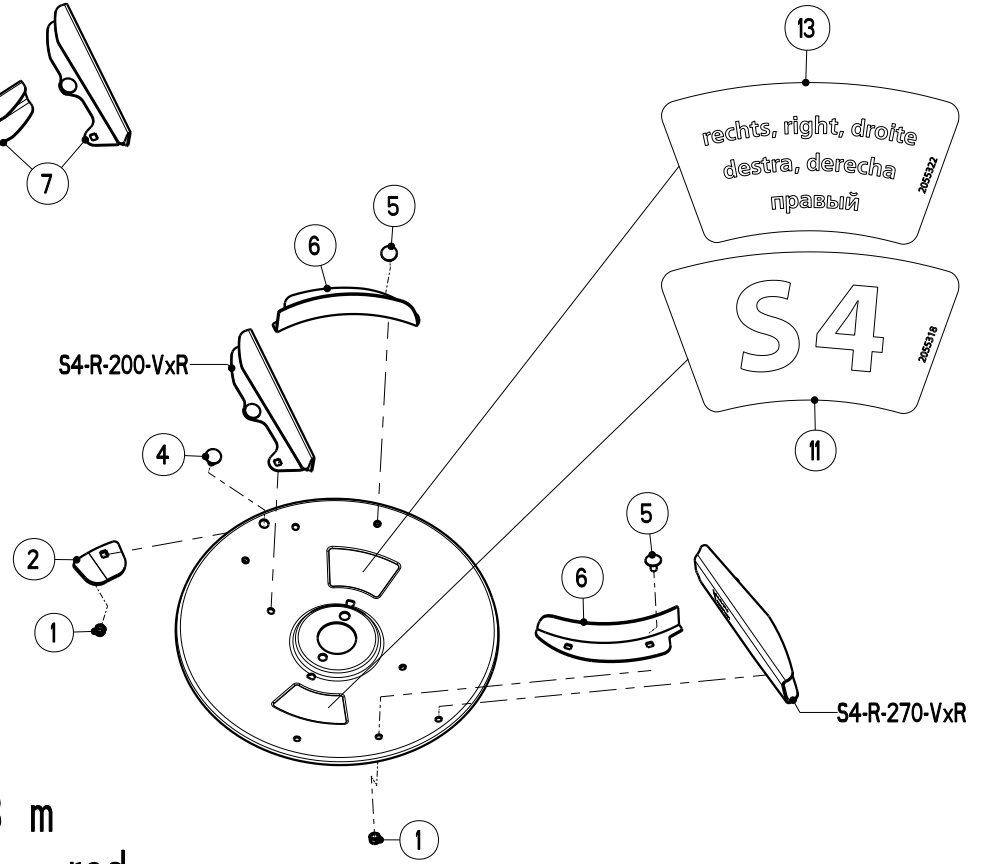
| Bild Fig. | Art.-Nr. | St. Qt. | Serie von | Serie bis | Benennung Bezeichnung | Designation Bemerkung/Remarque/Remark | Description Ers. durch/Remplacé par/Replaced by |
|--------------|----------|------------|--------------|--------------|--|--|--|
| | | | | | 4.0x8.0 F-A2/A3-Klbe.2.5-4.5 | | * |
| 0023 | 2056414 | 1 | | | Bolzen * | Axe | Pin * |
| 0024 | 2123803 | 1 | | | Flachrundschrabe DIN 603-M 8x20-A2-70 | Vis J | Cup square bolt * |
| 0025 | 3087327 | 1 | | | Konsole rechts | Support | Support * |
| 0026 | 2023702 | 2 | | | Flachrundschrabe DIN 603-M 6x16-A2-70-KH=2 | Vis J | Cup square bolt * |
| 0027 | 2152705 | 1 | | | Schraube EJOT PT-WN 1446 K 50x14-A2 | Vis | Screw * |
| 0028 | 3087324 | 1 | | | Einrastelement * | Plate | Plate * |
| 0029 | 3087325 | 1 | | | Anzeigeelement * | Voyant | Indicating element * |
| 0030 | 2115637 | 2 | | | Scheibe DIN 9021-6.4-200HV-A2 | Rondelle plate | Flat washer * |
| 0031 | 2123769 | 2 | | | Sechskantmutter DIN 985-M 6-A2-70-Nytorq-Bes. | Ecrou autofreine | Self-locking hexagon nut * |
| 0032 | 2055312 | 1 | | | Taste RAL 5002-Ultramarinblau | Bouton | Button * |
| 0033 | 2055634 | 1 | | | Fuehrung rechts-mit Skala-schwarz | Guide | Guide * |
| 0034 | 2152765 | 3 | | | Schraube EJOT PT-WN 5451 60x20-A2-Torx | Vis | Screw * |





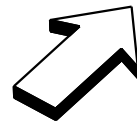
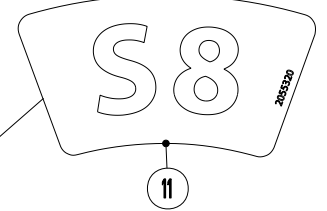
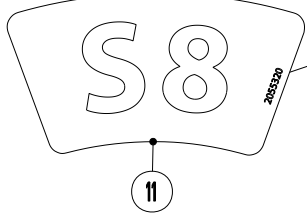
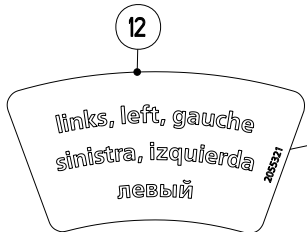
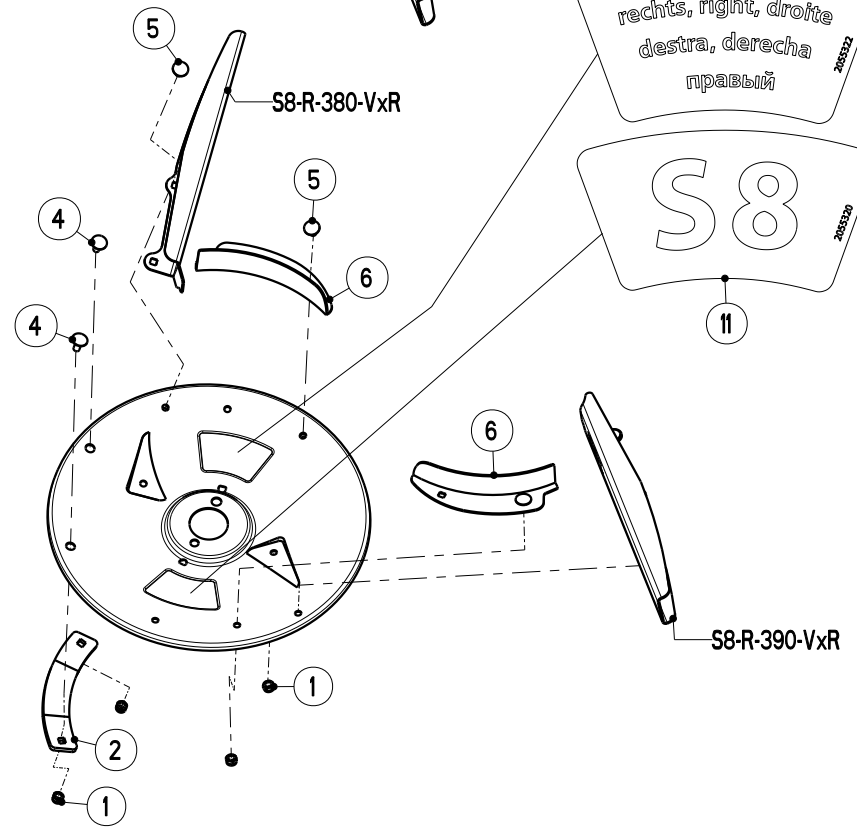
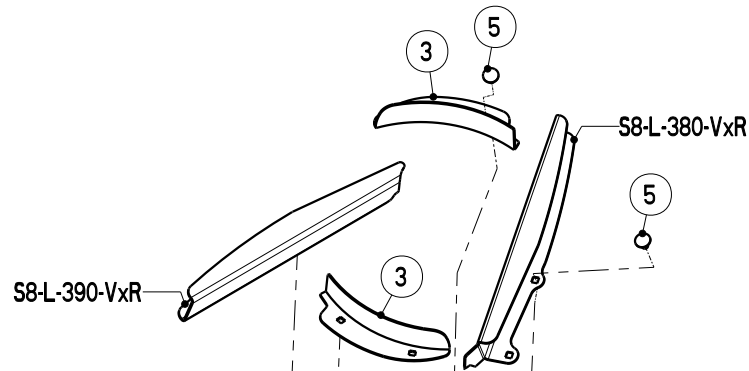
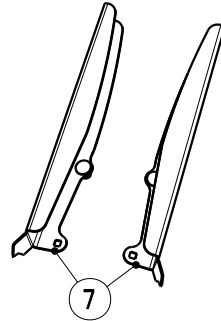
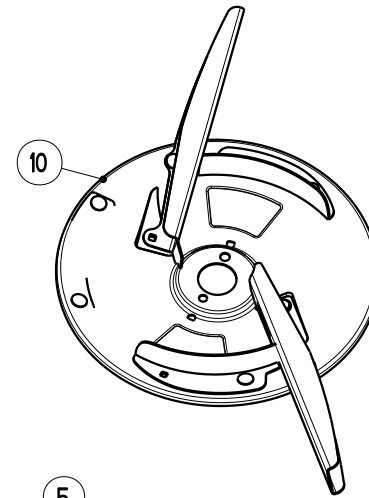
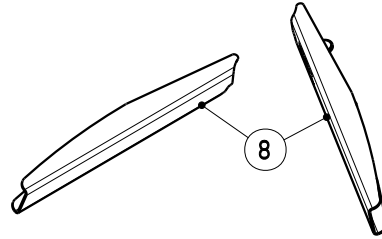
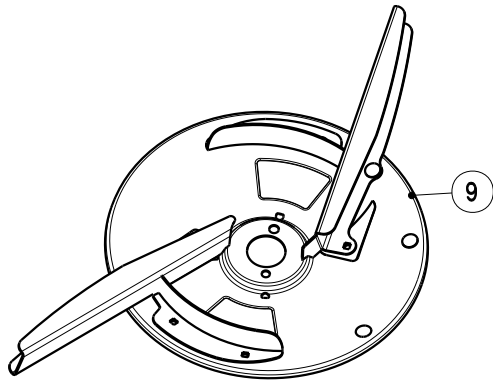


S 4 - L -VxR



S 4 - R -VxR

12 - 28 m
- rot - rouge - red -
S 4-VxR



30 - 36 m

S 8 - L -VxR

- orange - orange - orange -
S 8-VxR

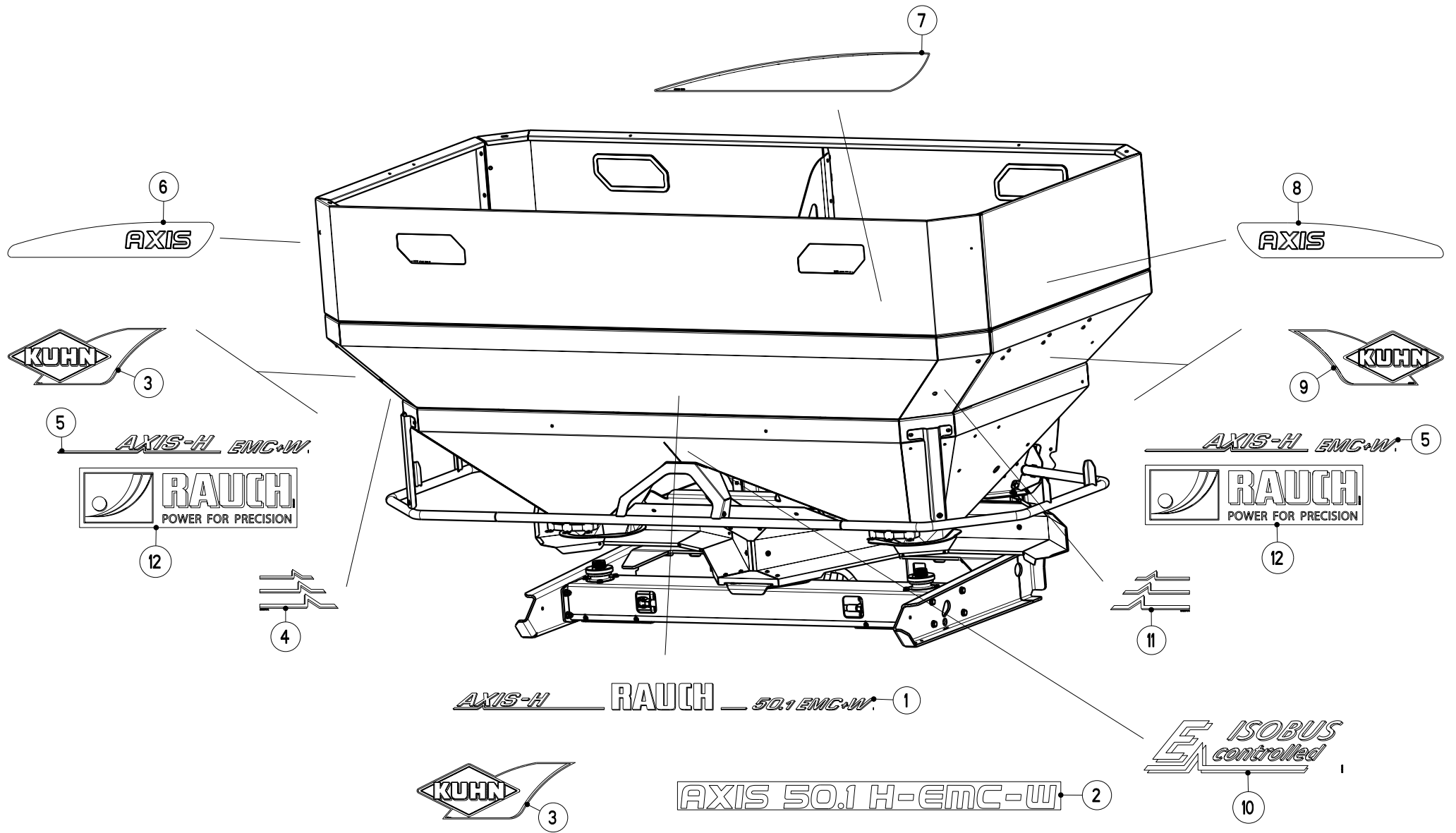
S 8 - R -VxR

| Bild Fig. | Art.-Nr. | St. Qt. | Serie von | Serie bis | Benennung Bezeichnung | Designation Bemerkung/Remarque/Remark | Description Ers. durch/Remplacé par/Replaced by |
|--------------|----------|------------|--------------|--------------|--|--|--|
| 0010 | 4087182 | 1 | | | Wurfscheibe S12-L-VxR-links-kpl. | Disque de distribution | Spreading disc * |
| 0011 | 4087183 | 1 | | | Wurfscheibe S12-R-VxR-rechts-kpl. | Disque de distribution | Spreading disc * |
| 0012 | 2056137 | 2 | | | Aufkleber "S12" - schwarz | Autocollant | Sticker * |
| 0013 | 2055321 | 1 | | | Aufkleber "links"- (de-en-fr-es-it-ru) | Autocollant | Sticker * |
| 0014 | 2055322 | 1 | | | Aufkleber "rechts"- (de-en-fr-es-it-ru) | Autocollant | Sticker * |

| | | | | | |
|------------------------|---------------------|---|-----------------------------------|---------------------------------------|-----------------------------------|
| Artikelnummer/Version | 0608892 | A | AXIS-H 50.1 EMC+W-Kat. III | AXIS-H 50.1 EMC+W-Cat. III | AXIS-H 50.1 EMC+W-Cat. III |
| Grp.-Nr./Art.-Nr./Rev. | 0044 E087102 | A | Aufsatz GLW 2000 | Groupe Rehausse | Group Extension |
| Serie | 31500 - | Ers. durch/Remplacé par/ Replaced by | * | Ers. für/Remplace pour/Replace for | * |

| Bild Fig. | Art.-Nr. | St. Qt. | Serie von | Serie bis | Benennung Bezeichnung | Designation Bemerkung/Remarque/Remark | Description Ers. durch/Remplacé par/Replaced by |
|--------------|----------|------------|--------------|--------------|---|--|--|
| 0001 | 2055298 | 4 | | | Dichtungsprofil 46x415-Ecke-eins.selbstkleb. | Joint | Seal * |
| 0002 | 2055297 | 1 | | | Dichtungsprofil 46x8000-Rolle-eins.selbstkleb. | Joint | Seal * |
| 0003 | 2053855 | 4 | | | Verschlussstopfen fuer D=9, Blechdicke 1,5-3,0 | Bouchon | Plug * |
| 0004 | 2054890 | 2 | | | Sichtfenster mit Klebeband | Verre de regard | Sight glass * |
| 0005 | 2054889 | 2 | | | Sichtfenster mit Klebeband | Verre de regard | Sight glass * |
| 0006 | 2056172 | 2 | | | Seitenteil lang-RAL2002-GLW2000 m.Sichtf. | Rehausse longue | Long extension * |
| 0007 | 2056175 | 4 | | | Dichtungsprofil 46x440-eins.selbstkleb. | Joint | Seal * |
| 0008 | 2056174 | 2 | | | Verstaerkung RAL 2002 | Plaque | Plate * |
| 0009 | 2056173 | 2 | | | Seitenteil kurz-RAL 2002-GLW 2000 | Rehausse courte | Side extension * |

| Bild Fig. | Art.-Nr. | St. Qt. | Serie von | Serie bis | Benennung Bezeichnung | Designation Bemerkung/Remarque/Remark | Description Ers. durch/Remplacé par/Replaced by |
|--------------|----------|------------|--------------|--------------|--|--|--|
| | | | | | DIN 9021-8.4-POM schwarz | | * |
| 0023 | 2152188 | 4 | | | Linsenflanschschraube M 8x20-A2-70 | Vis a tete cylindrique bombée | Binding head screw * |
| 0024 | 2123866 | 2 | | | Scheibe DIN 9021-8.4-200HV-A2 | Rondelle plate | Flat washer * |
| 0025 | 3087044 | 1 | | | Befestigungsblech Kennzeichenschild | Toile de fixation | Fixation plate * |
| 0026 | 2152751 | 2 | | | Linsenflanschschraube M 6x20-A2-70 | Vis a tete cylindrique bombée | Binding head screw * |
| 0027 | 2056226 | 1 | | | Beleuchtungshalter links kpl. mit Leuchte | Support gauche cpl. | Support left cpl. * |
| 0028 | 2055415 | 2 | | | Teilesatz Stecker + Steckdose-4 polig | Jeu de pieces | Parts set * |



CLICK HERE TO **DOWNLOAD** THE COMPLETE MANUAL

- Thank you very much for reading the preview of the manual.
- You can download the complete manual from: www.heydownloads.com by clicking the link below



- Please note: If there is no response to CLICKING the link, please download this PDF first and then click on it.

CLICK HERE TO **DOWNLOAD** THE COMPLETE MANUAL