

RAU



FT-2

Ersatzteil-Handbuch

Artikelnummer: AC754581
Sprache: DE
(ab) Produktionsjahr: 2008
(ab) Produktions-Serienr.:
54296 < Masch. ID <=

CLICK HERE TO **DOWNLOAD** THE COMPLETE MANUAL

- Thank you very much for reading the preview of the manual.
- You can download the complete manual from: www.heydownloads.com by clicking the link below



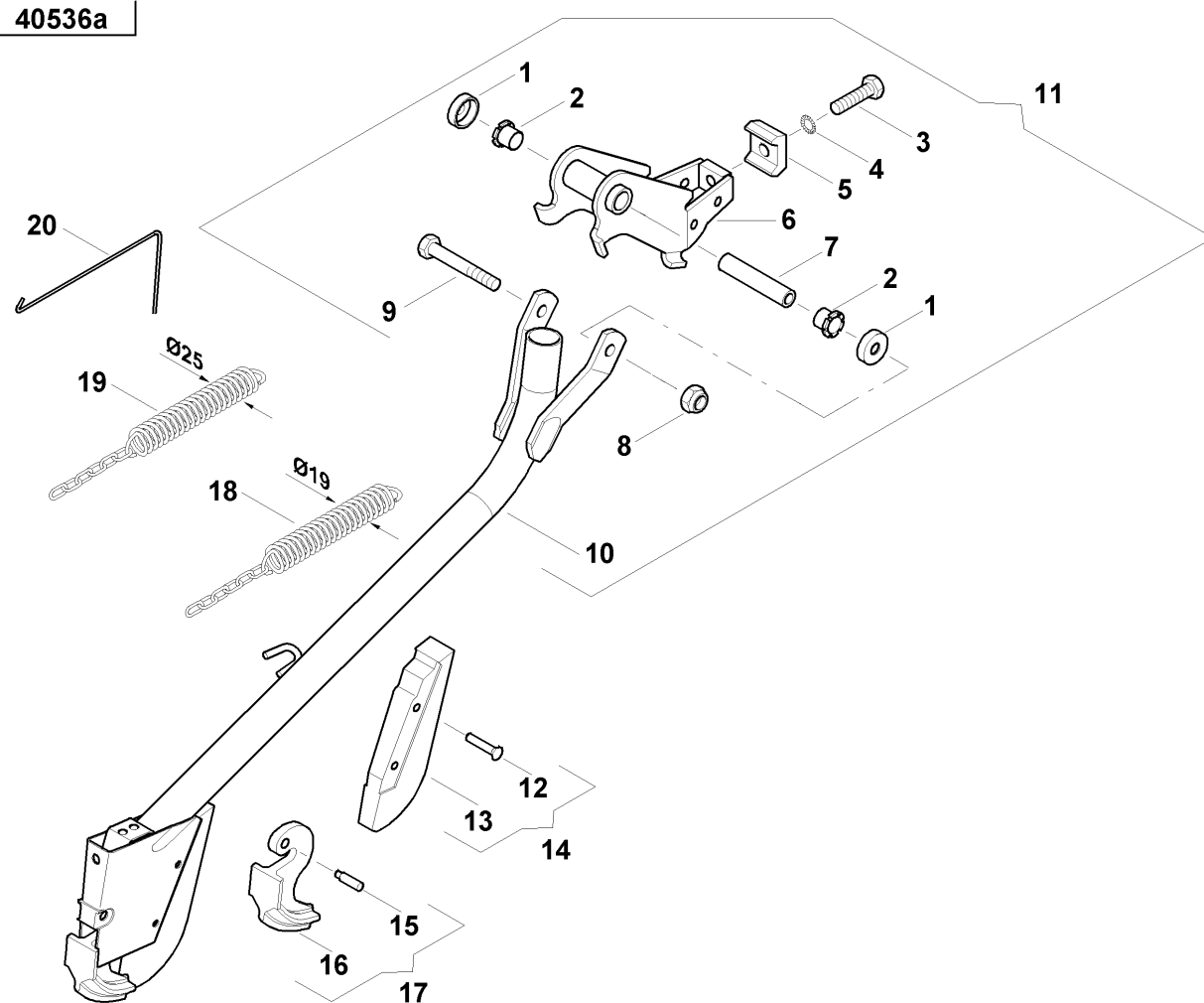
- Please note: If there is no response to CLICKING the link, please download this PDF first and then click on it.

CLICK HERE TO **DOWNLOAD** THE COMPLETE MANUAL

FT-2 / Normalsäschar



| PosNr. | Teile Nr. | Stk. |
|--------|------------|------|
| 1 | AC494697 | 2 |
| 2 | AC494739 | 2 |
| 3 | KG00476761 | 1 |
| 4 | KG01286261 | 1 |
| 5 | AC169386 | 1 |
| 6 | AC494301 | 1 |
| 7 | AC494417 | 1 |
| 8 | AC640856 | 1 |
| 9 | KG00336861 | 1 |
| 10 | AC494082 | 1 |
| 11 | AC494223 | 1 |
| 12 | AC657241 | 1 |
| 13 | AC494266 | 1 |
| 14 | AC495924 | 1 |
| 15 | AC494350 | 1 |
| 16 | AC494876 | 1 |
| 17 | AC495813 | 1 |
| 18 | AC490651 | 1 |
| 19 | AC494723 | 1 |
| 20 | AC494925 | 1 |



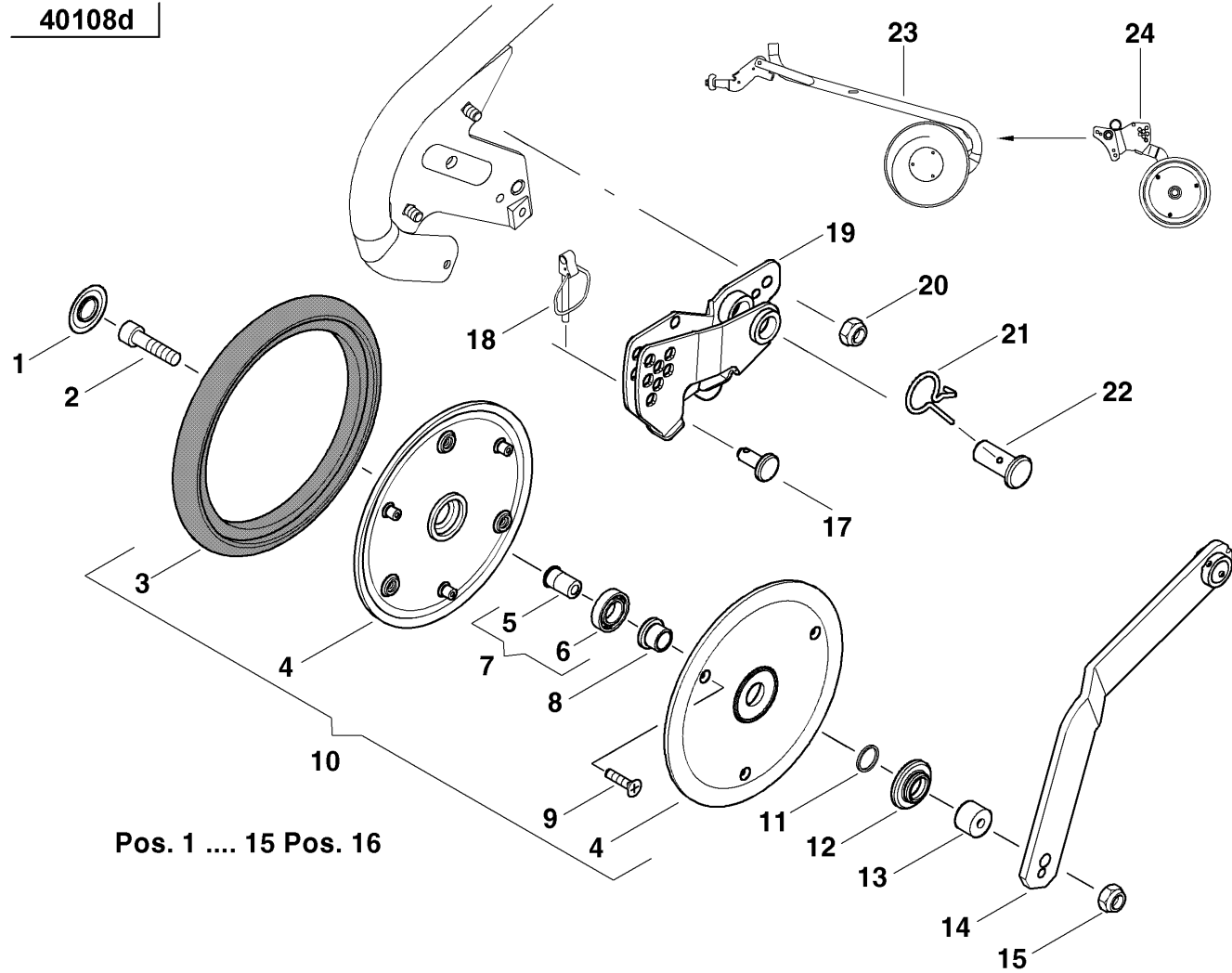
40536a

FT-2 / Andruckrolle



| PosNr. | Teile Nr. | Stk. |
|--------|------------|------|
| 1 | AC495730 | 1 |
| 2 | AC632173 | 1 |
| 3 | AC495825 | 1 |
| 4 | AC495826 | 2 |
| 5 | AC495872 | 1 |
| 6 | AC671105 | 1 |
| 7 | AC495220 | 1 |
| 8 | AC495873 | 1 |
| 9 | AC636482 | 6 |
| 10 | AC495181 | 1 |
| 11 | AC682891 | 1 |
| 12 | AC495892 | 1 |
| 13 | AC495869 | 1 |
| 14 | AC497712 | 1 |
| 15 | KG01068761 | 1 |
| 16 | AC497815 | 1 |
| 17 | AC497484 | 1 |
| 18 | AC656452 | 1 |
| 19 | AC497710 | 1 |
| 20 | KG01067661 | 1 |
| 21 | AC497921 | 1 |
| 22 | AC497483 | 1 |
| 23 | AC495193 | 1 |
| 24 | AC495206 | 1 |

40108d



Pos. 1 15 Pos. 16

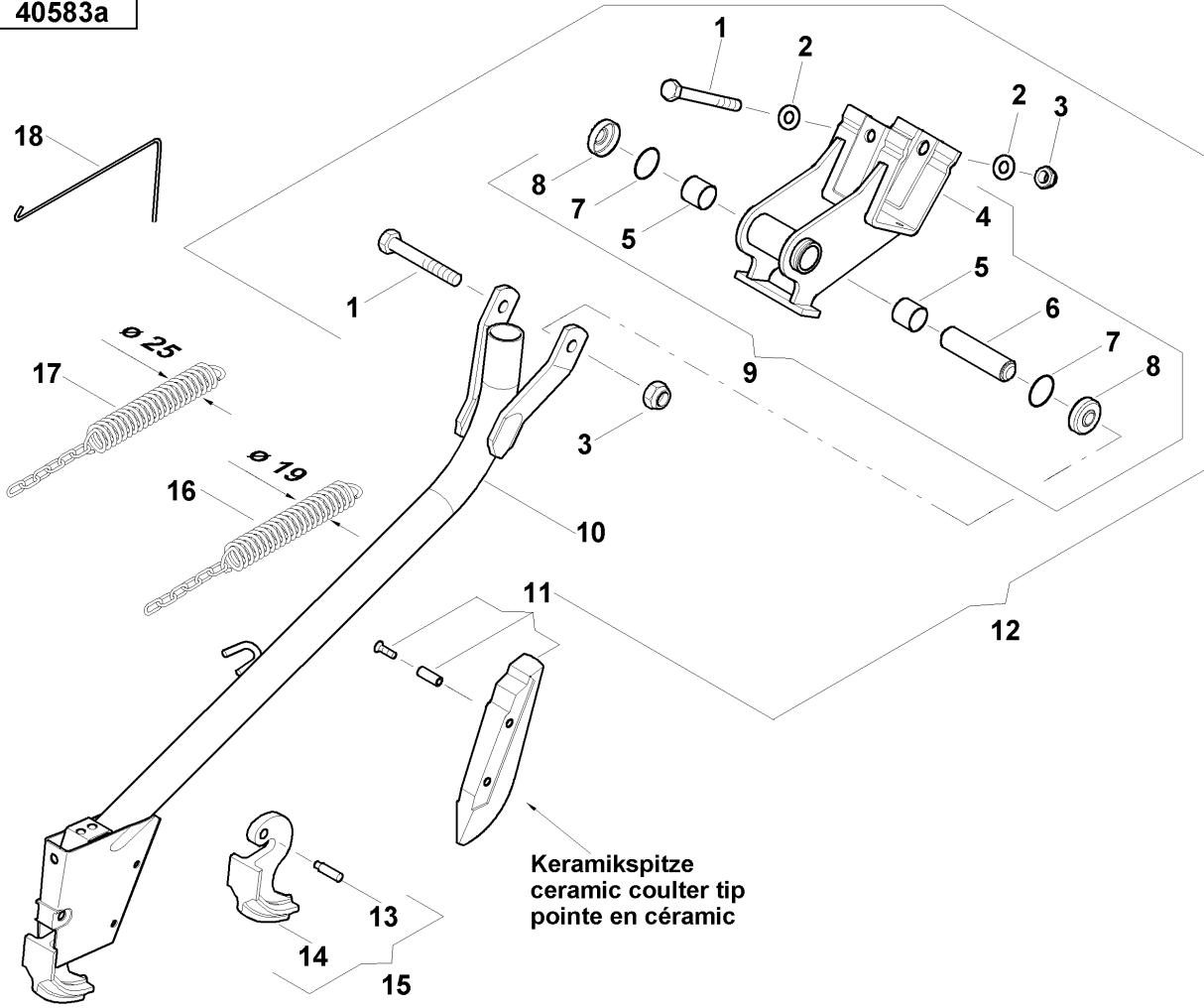
40108d

FT-2 / Normalsäschar Fold



| PosNr. | Teile Nr. | Stk. |
|--------|------------|------|
| 1 | KG00336861 | 2 |
| 2 | KG01267461 | 2 |
| 3 | AC640856 | 2 |
| 4 | AC481226 | 1 |
| 5 | AC670002 | 2 |
| 6 | AC481907 | 1 |
| 7 | AC682892 | 2 |
| 8 | AC481906 | 2 |
| 9 | AC481798 | 1 |
| 10 | AC494085 | 1 |
| 11 | AC494865 | 1 |
| 12 | AC481121 | 1 |
| 13 | AC494350 | 1 |
| 14 | AC494876 | 1 |
| 15 | AC494813 | 1 |
| 16 | AC490651 | 1 |
| 17 | AC494723 | 1 |
| 18 | AC494925 | 1 |

40583a



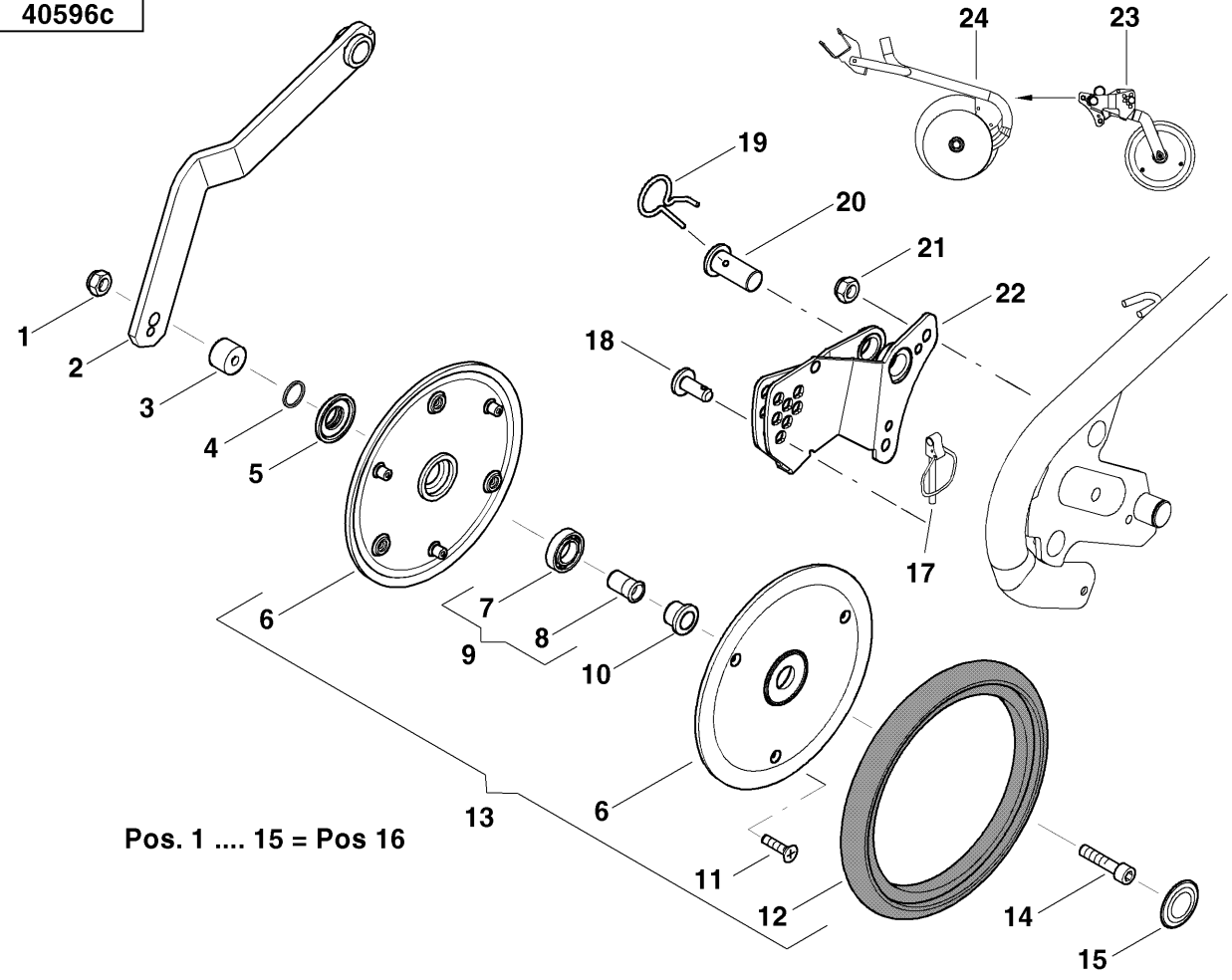
40583a

FT-2 / Andruckrolle Fold



| PosNr. | Teile Nr. | Stk. |
|--------|------------|------|
| 1 | KG01068761 | 1 |
| 2 | AC497713 | 1 |
| 3 | AC495869 | 1 |
| 4 | AC682891 | 1 |
| 5 | AC495892 | 1 |
| 6 | AC495826 | 2 |
| 7 | AC671105 | 1 |
| 8 | AC495872 | 1 |
| 9 | AC495220 | 1 |
| 10 | AC495873 | 1 |
| 11 | AC636482 | 6 |
| 12 | AC495825 | 1 |
| 13 | AC495181 | 1 |
| 14 | AC632173 | 1 |
| 15 | AC495730 | 1 |
| 16 | AC497816 | 1 |
| 17 | AC656452 | 1 |
| 18 | AC497484 | 1 |
| 19 | AC497920 | 1 |
| 20 | AC497483 | 1 |
| 21 | KG01067661 | 2 |
| 22 | AC497714 | 1 |
| 23 | AC495208 | 1 |
| 24 | AC481104 | 1 |

40596c



Pos. 1 15 = Pos 16

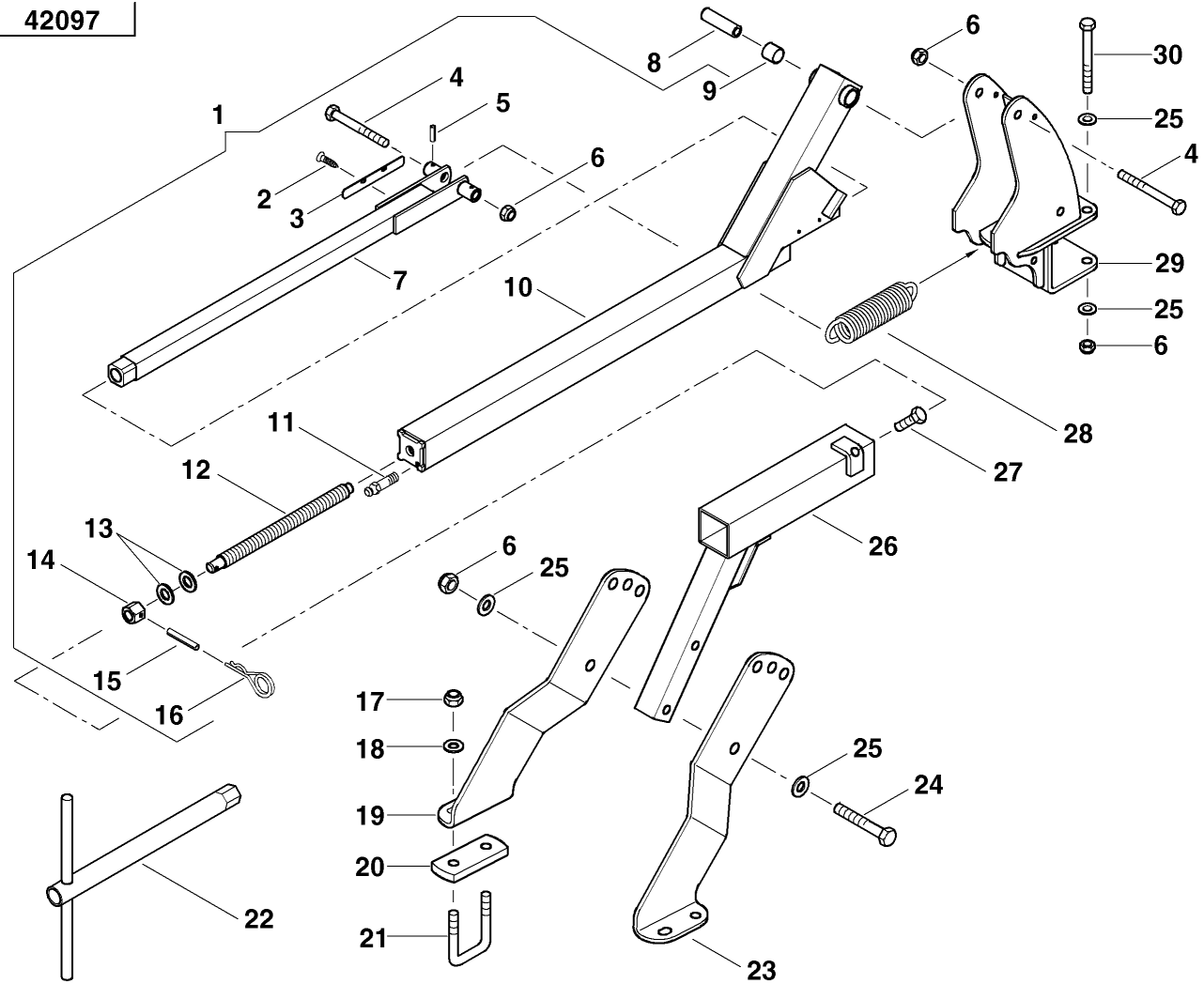
40596c

FT-2 / S-Saatstriegel Fold



| PosNr. | Teile Nr. | Stk. |
|--------|------------|------|
| 1 | AC481070 | 4 |
| 2 | KG00743263 | 2 |
| 3 | AC481927 | 1 |
| 4 | KG00358461 | 8 |
| 5 | AC652082 | 1 |
| 6 | KG01067761 | 24 |
| 7 | AC481252 | 1 |
| 8 | AC481305 | 4 |
| 9 | AC670002 | 2 |
| 10 | AC481250 | 4 |
| 11 | AC660261 | 4 |
| 12 | AC481500 | 4 |
| 13 | AC801932 | 8 |
| 14 | AC481499 | 4 |
| 15 | KG01191362 | 4 |
| 16 | AC318407 | 4 |
| 17 | KG01067661 | 16 |
| 18 | KG01267461 | 16 |
| 19 | AC483663 | 4 |
| 20 | AC495396 | 8 |
| 21 | AC495830 | 8 |
| 22 | AC495721 | 1 |
| 23 | AC483662 | 4 |
| 24 | KG00357961 | 8 |
| 25 | KG01267561 | 32 |
| 26 | AC481248 | 4 |
| 27 | KG00476561 | 4 |
| 28 | AC481928 | 4 |
| 29 | AC483213 | 8 |
| 30 | KG00358561 | 8 |

42097



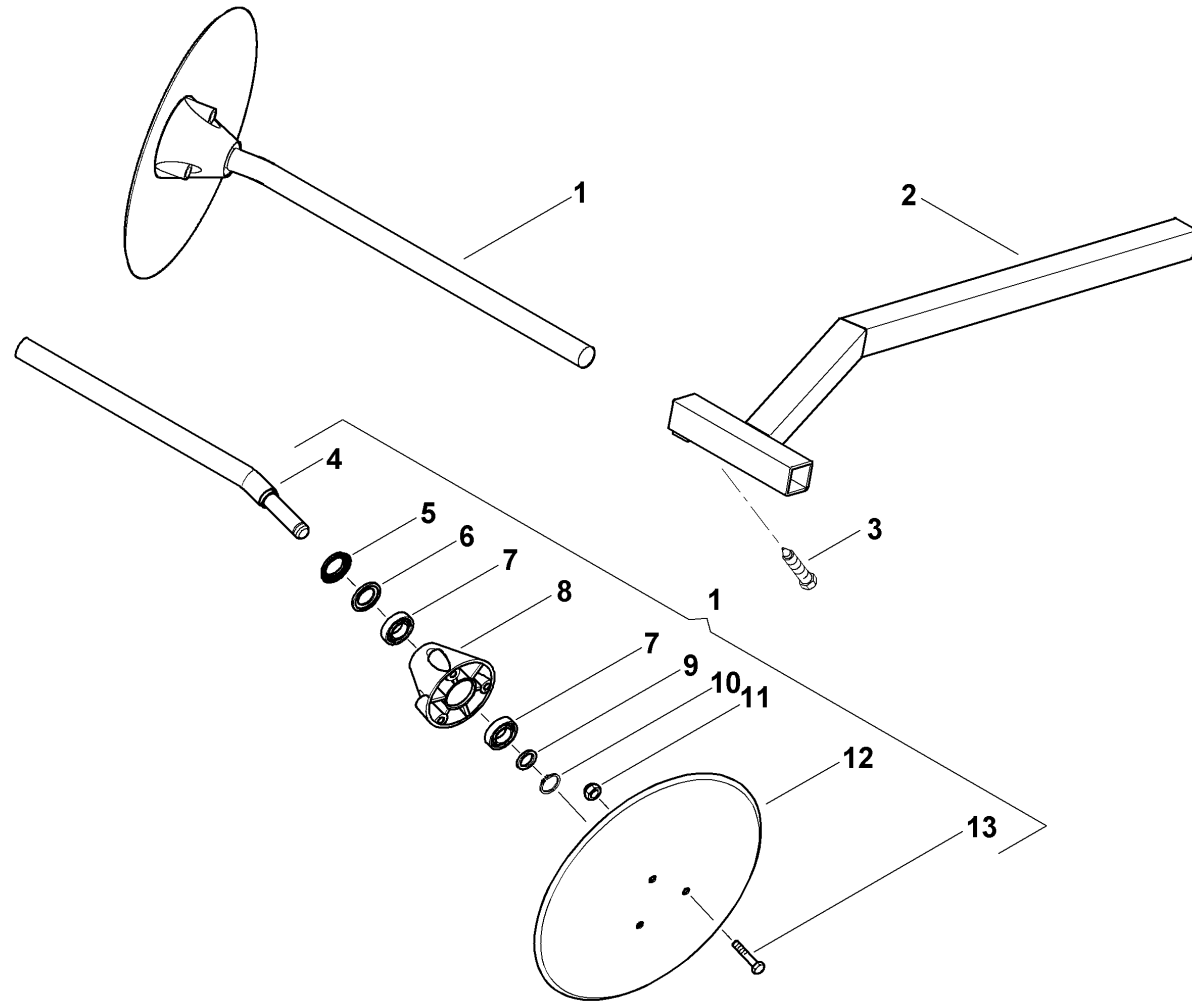
42097

FT-2 / Fahrgassenmarkierer Fold



| PosNr. | Teile Nr. | Stk. |
|--------|------------|------|
| 1 | AC496087 | 1 |
| 2 | AC481255 | 1 |
| 3 | AC633255 | 1 |
| 4 | AC496175 | 1 |
| 5 | AC683481 | 1 |
| 6 | AC496176 | 1 |
| 7 | KG01355200 | 2 |
| 8 | AC496177 | 1 |
| 9 | AC674433 | 1 |
| 10 | AC658311 | 1 |
| 11 | KG01067561 | 1 |
| 12 | AC496709 | 1 |
| 13 | KG00353361 | 1 |

40729

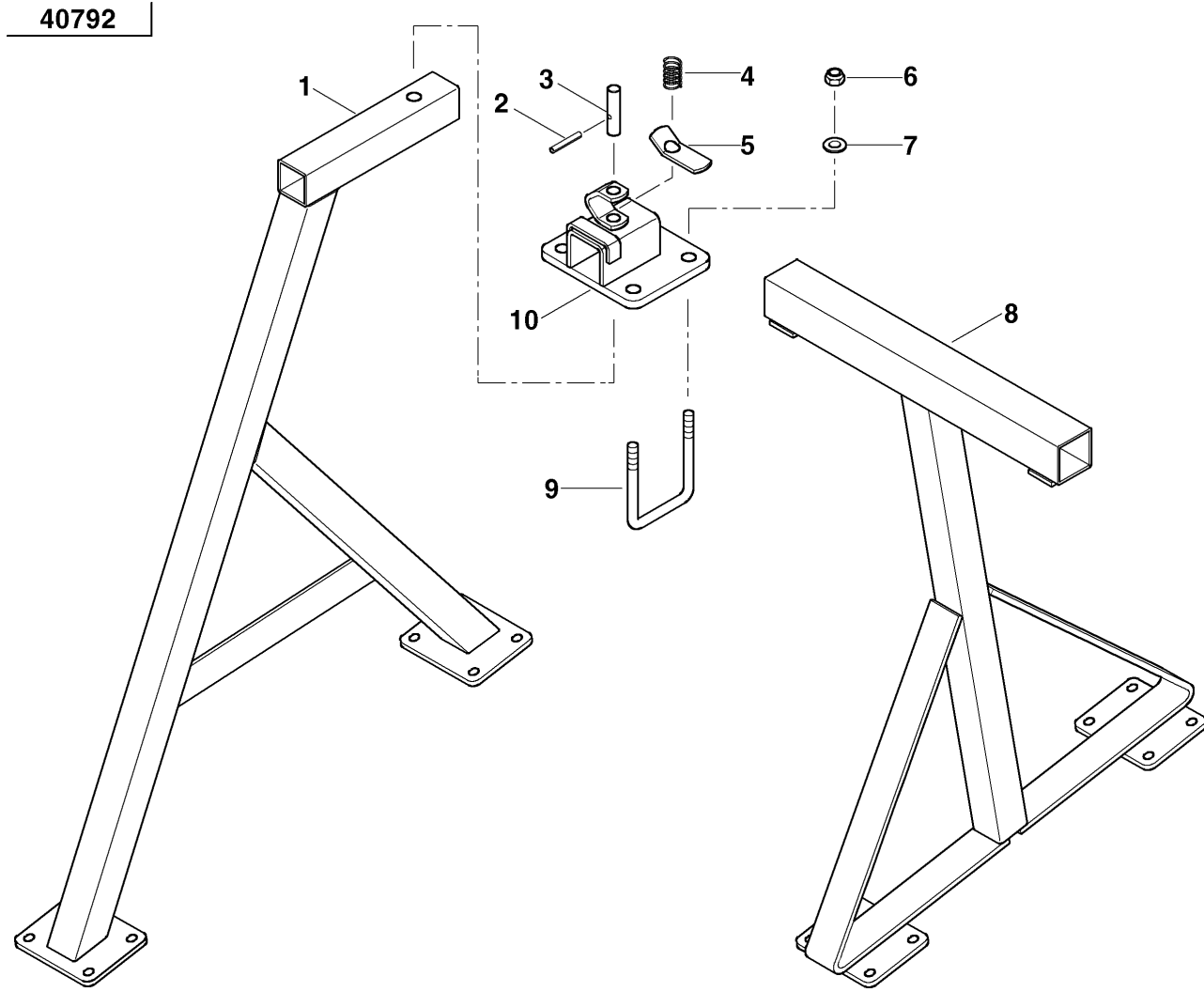


40729

FT-2 / Scharschiene hydr. klappbar Fold



| PosNr. | Teile Nr. | Stk. |
|--------|-------------|------|
| 1 | AC480148 | 2 |
| 2 | AC652292 | 2 |
| 3 | AC499526 | 2 |
| 4 | AC494726 | 2 |
| 5 | AC499676 | 2 |
| 6 | KG01067961 | 8 |
| 7 | KG01267761 | 8 |
| 8 | AC483216 | 2 |
| 9 | KW101020016 | 4 |
| 10 | AC483215 | 2 |

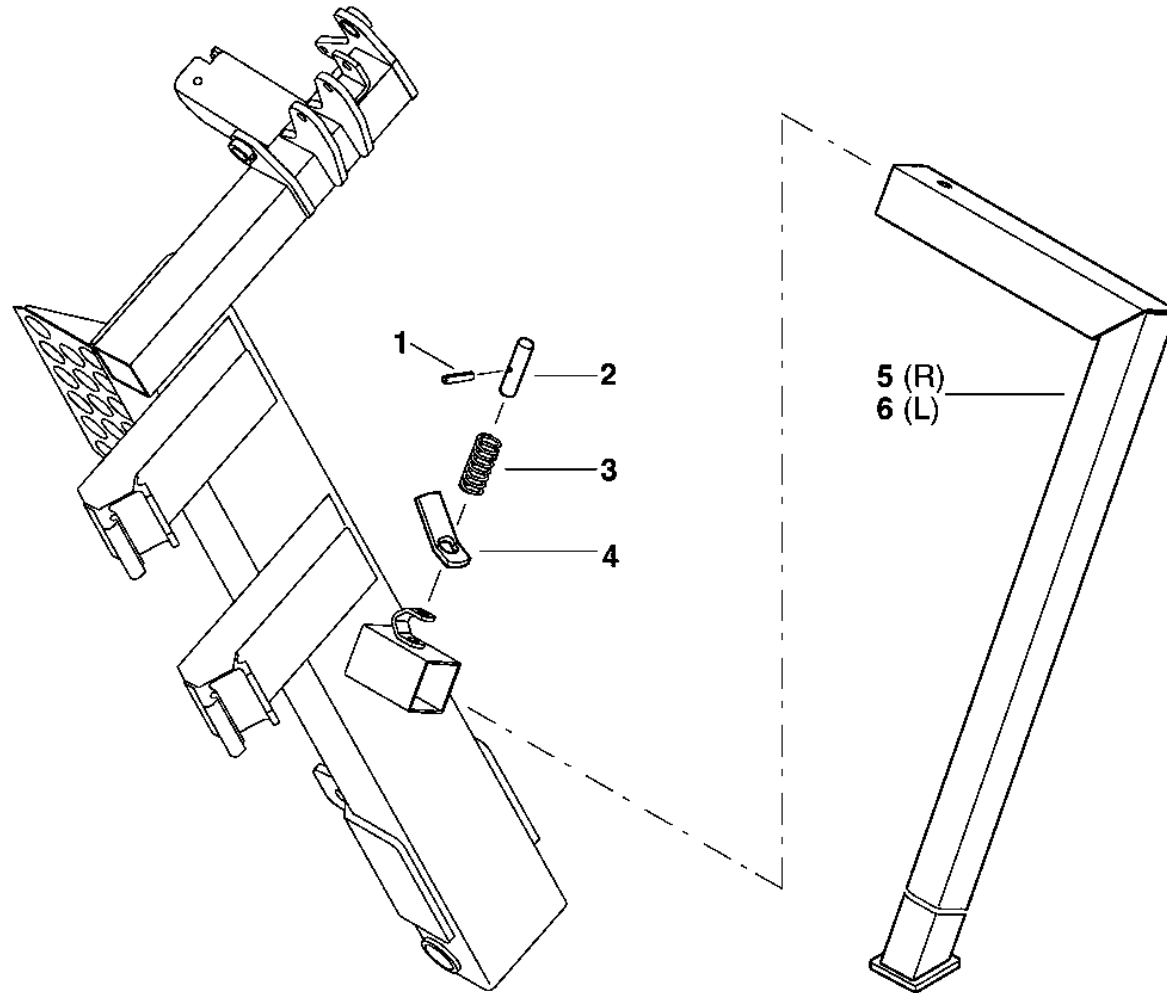


40792

FT-2 / Abstellstützen

| PosNr. | Teile Nr. | Stk. |
|--------|-----------|------|
| 1 | AC652292 | |
| 2 | AC499526 | |
| 3 | AC494726 | |
| 4 | AC499676 | |
| 5 | AC488239 | |
| 6 | AC488240 | |

40272



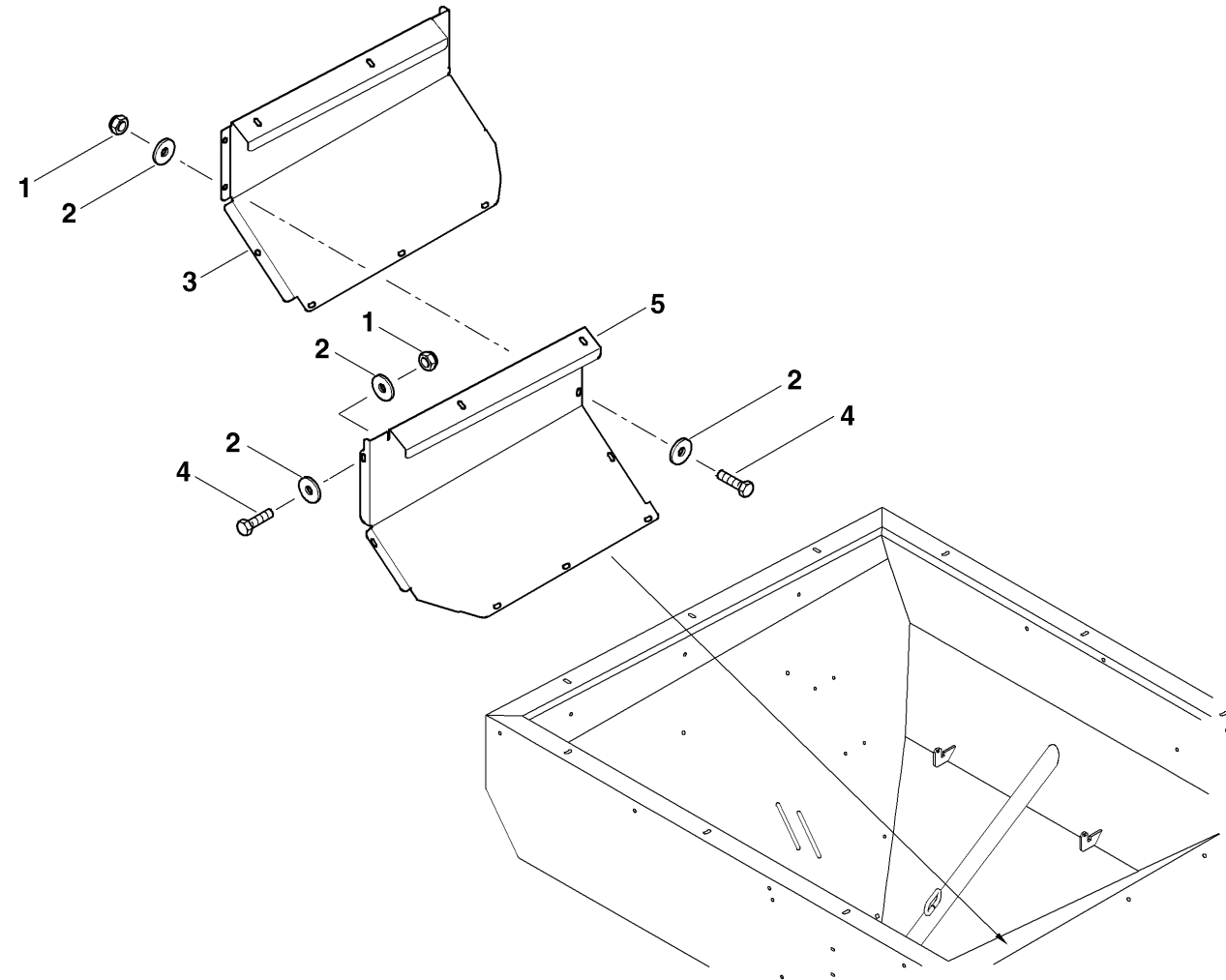
40272

FT-2 / Tank (Dünger)



| PosNr. | Teile Nr. | Stk. |
|--------|------------|------|
| 1 | KG01071100 | 13 |
| 2 | AC646307 | 26 |
| 3 | AC476523 | 1 |
| 4 | KG00496900 | 13 |
| 5 | AC476522 | 1 |

40325b



40325b

CLICK HERE TO **DOWNLOAD** THE COMPLETE MANUAL

- Thank you very much for reading the preview of the manual.
- You can download the complete manual from: www.heydownloads.com by clicking the link below



- Please note: If there is no response to CLICKING the link, please download this PDF first and then click on it.

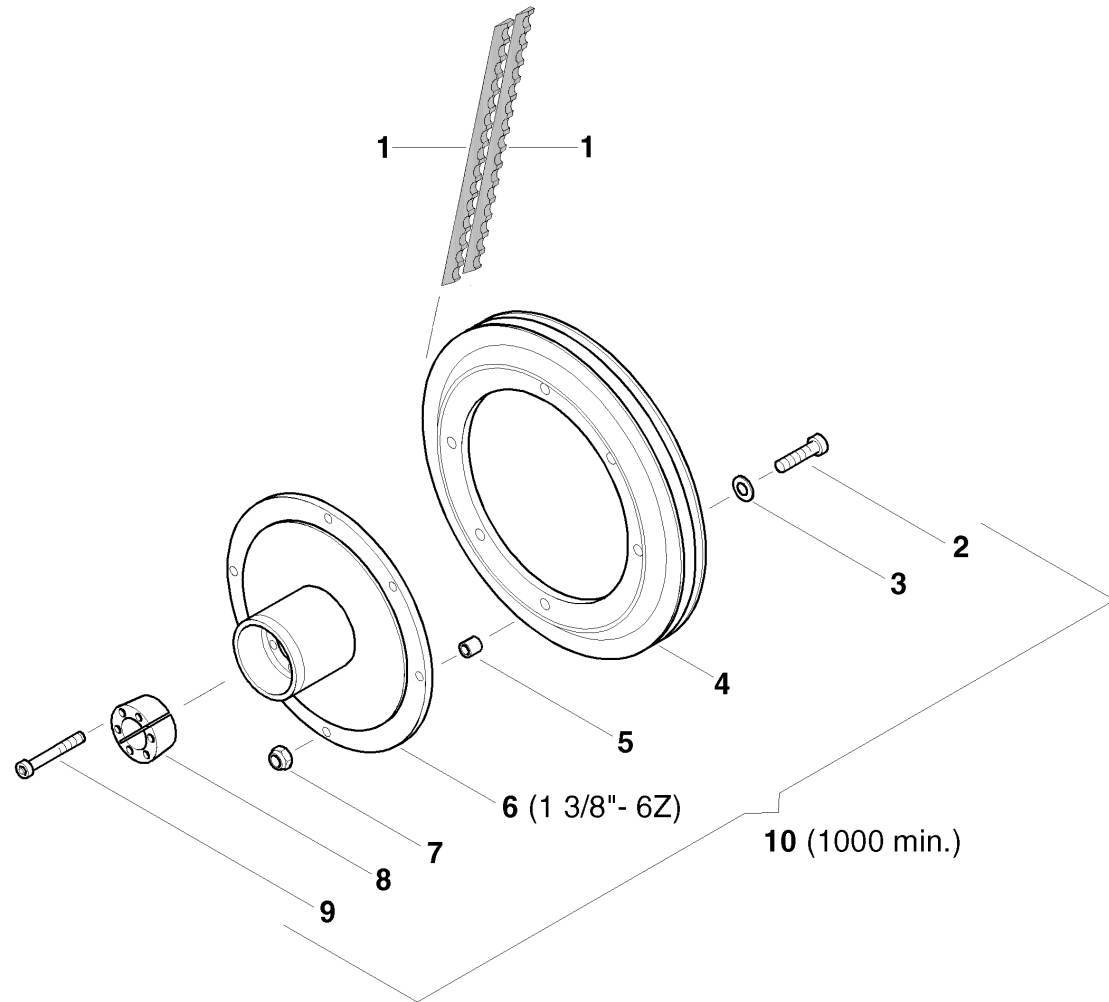
CLICK HERE TO **DOWNLOAD** THE COMPLETE MANUAL

FT-2 / Umkehrgetriebe



| PosNr. | Teile Nr. | Stk. |
|--------|------------|------|
| 1 | AC690202 | 2 |
| 2 | KG00545161 | 6 |
| 3 | KG01267361 | 6 |
| 4 | AC499445 | 1 |
| 5 | AC499395 | 6 |
| 6 | AC499409 | 1 |
| 7 | AC640383 | 6 |
| 8 | AC499408 | 1 |
| 9 | AC499418 | 3 |
| 10 | AC499752 | 1 |

40304a



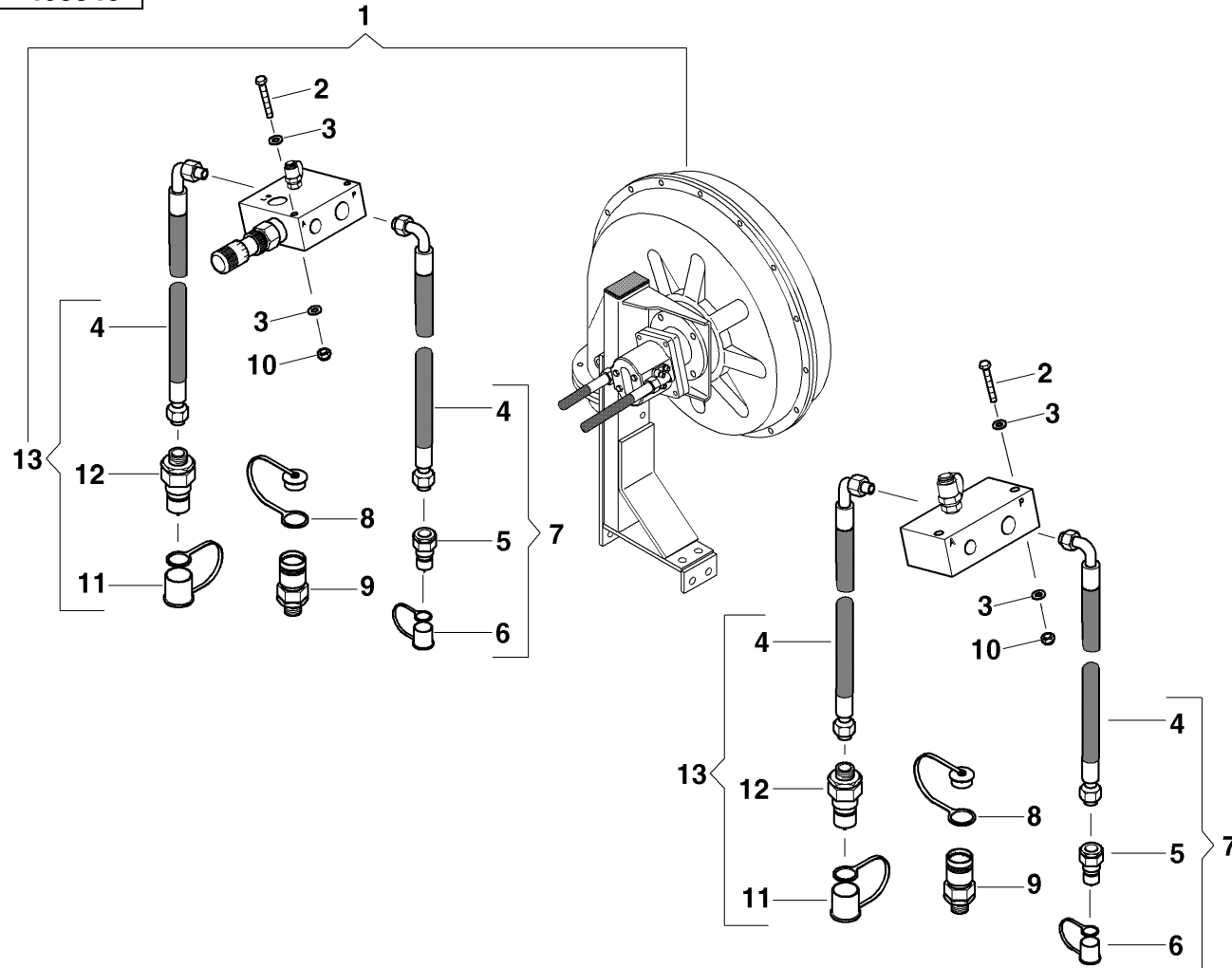
40304a

FT-2 / hyd. Gebläse



| PosNr. | Teile Nr. | Stk. |
|--------|------------|------|
| 1 | AC486191 | 1 |
| 2 | KG00395000 | 2 |
| 3 | KG01263900 | 4 |
| 4 | AC380914 | 2 |
| 5 | AC688258 | 1 |
| 6 | AC688791 | 1 |
| 7 | AC380179 | 1 |
| 8 | AC688403 | 1 |
| 9 | AC688343 | 1 |
| 10 | KG01071100 | 2 |
| 11 | AC688393 | 1 |
| 12 | AC688259 | 1 |
| 13 | AC380178 | 1 |

40354c



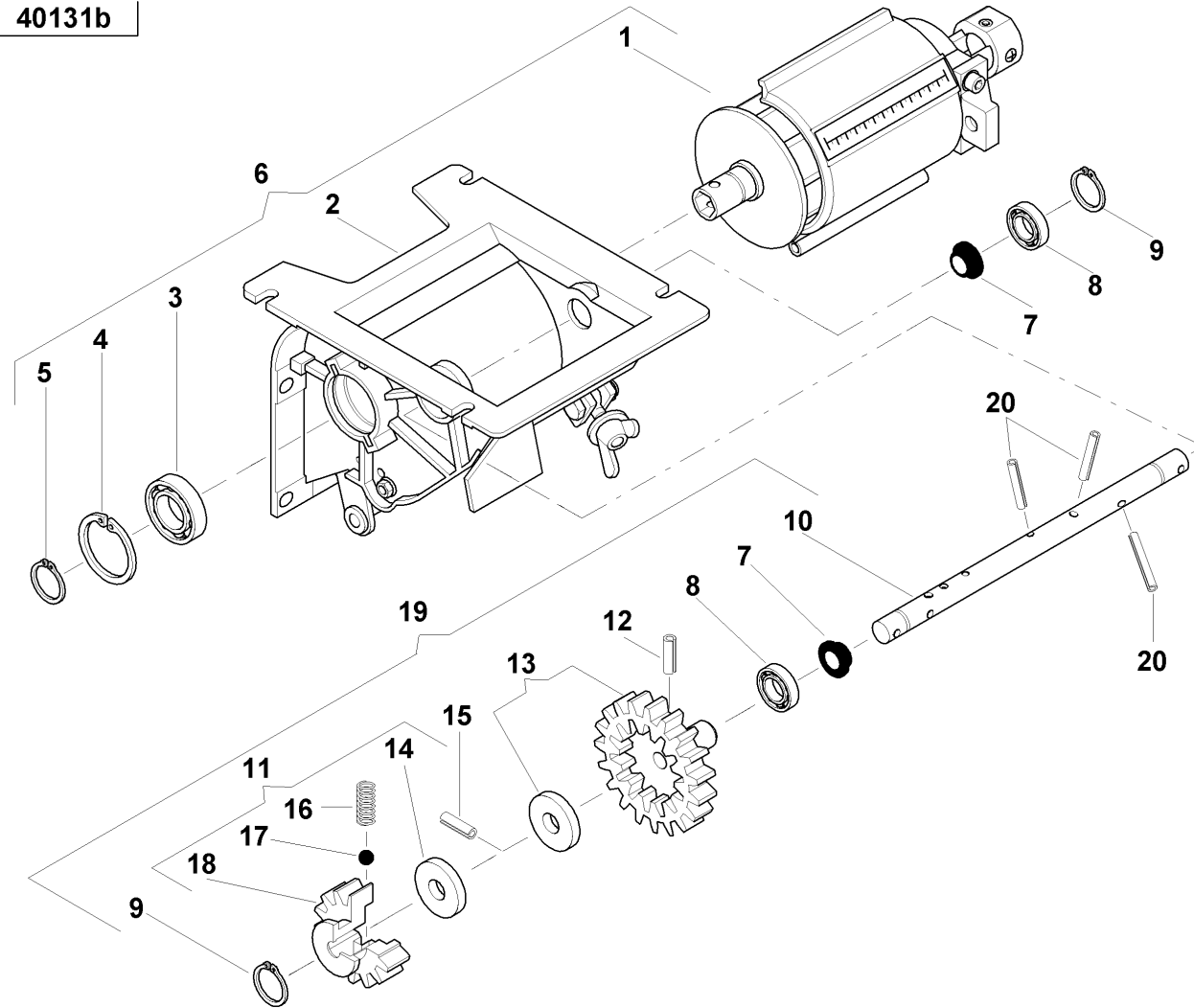
40354c

FT-2 / Dosiergerät links



| PosNr. | Teile Nr. | Stk. |
|--------|------------|------|
| 1 | AC489032 | 1 |
| 2 | AC489175 | 1 |
| 3 | AC671128 | 1 |
| 4 | KG01123000 | 1 |
| 5 | KG01103500 | 1 |
| 6 | AC489165 | 1 |
| 7 | AC489860 | 2 |
| 8 | KG01353800 | 2 |
| 9 | KG01102500 | 2 |
| 10 | AC489118 | 1 |
| 11 | AC489808 | 1 |
| 12 | KG01223000 | 1 |
| 13 | AC489807 | 1 |
| 14 | AC489802 | 1 |
| 15 | KG01224500 | 1 |
| 16 | AC489762 | 1 |
| 17 | AC673308 | 1 |
| 18 | AC489823 | 1 |
| 19 | AC489164 | 1 |
| 20 | AC652167 | 3 |

40131b



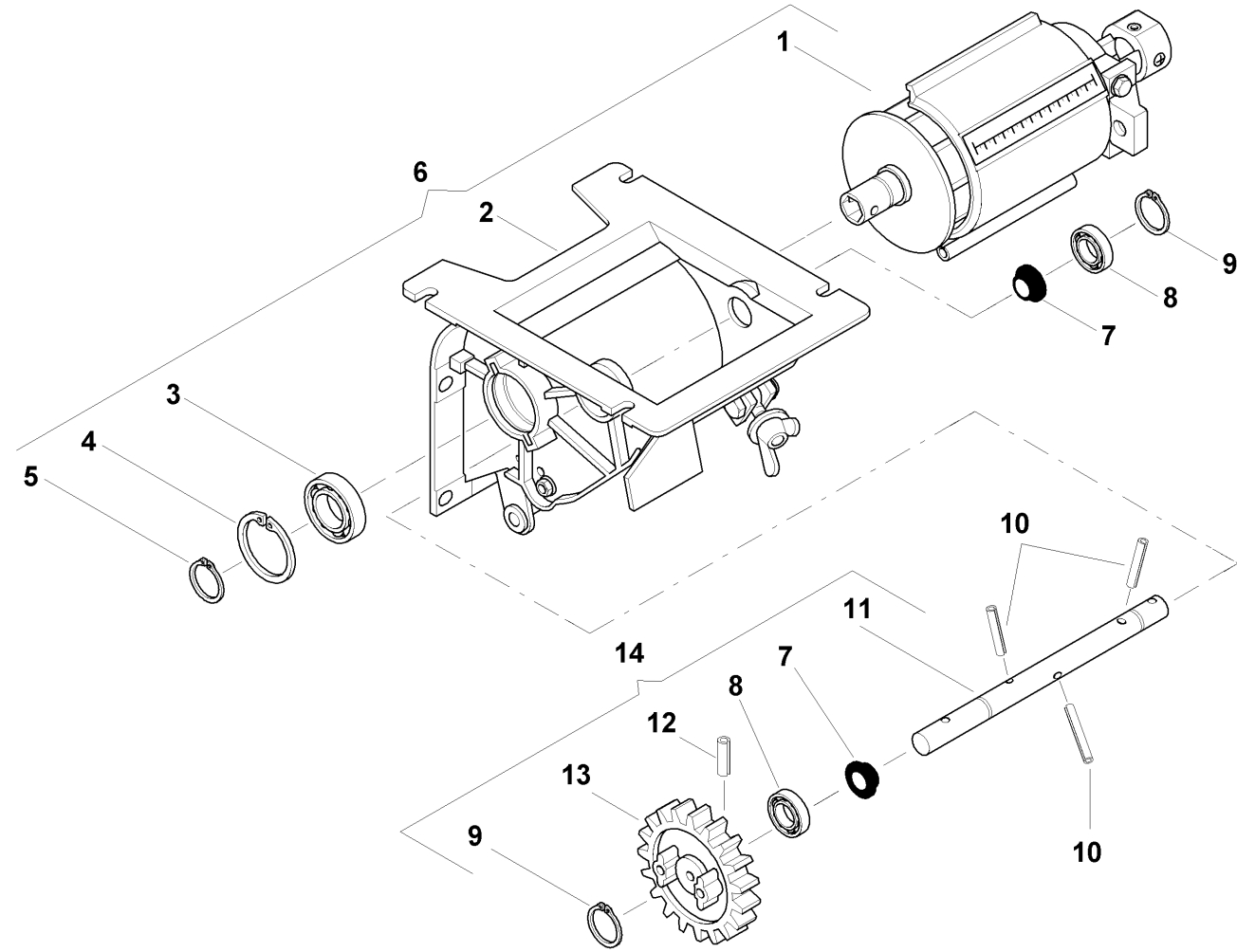
40131b

FT-2 / Dosiergerät Dünger



| PosNr. | Teile Nr. | Stk. |
|--------|------------|------|
| 1 | AC489171 | 1 |
| 2 | AC489175 | 1 |
| 3 | AC671128 | 1 |
| 4 | KG01123000 | 1 |
| 5 | KG01103500 | 1 |
| 6 | AC489167 | 1 |
| 7 | AC489860 | 2 |
| 8 | KG01353800 | 2 |
| 9 | KG01102500 | 2 |
| 10 | AC652197 | 3 |
| 11 | AC489114 | 1 |
| 12 | KG01224700 | 1 |
| 13 | AC489056 | 1 |
| 14 | AC489163 | 1 |

40122a

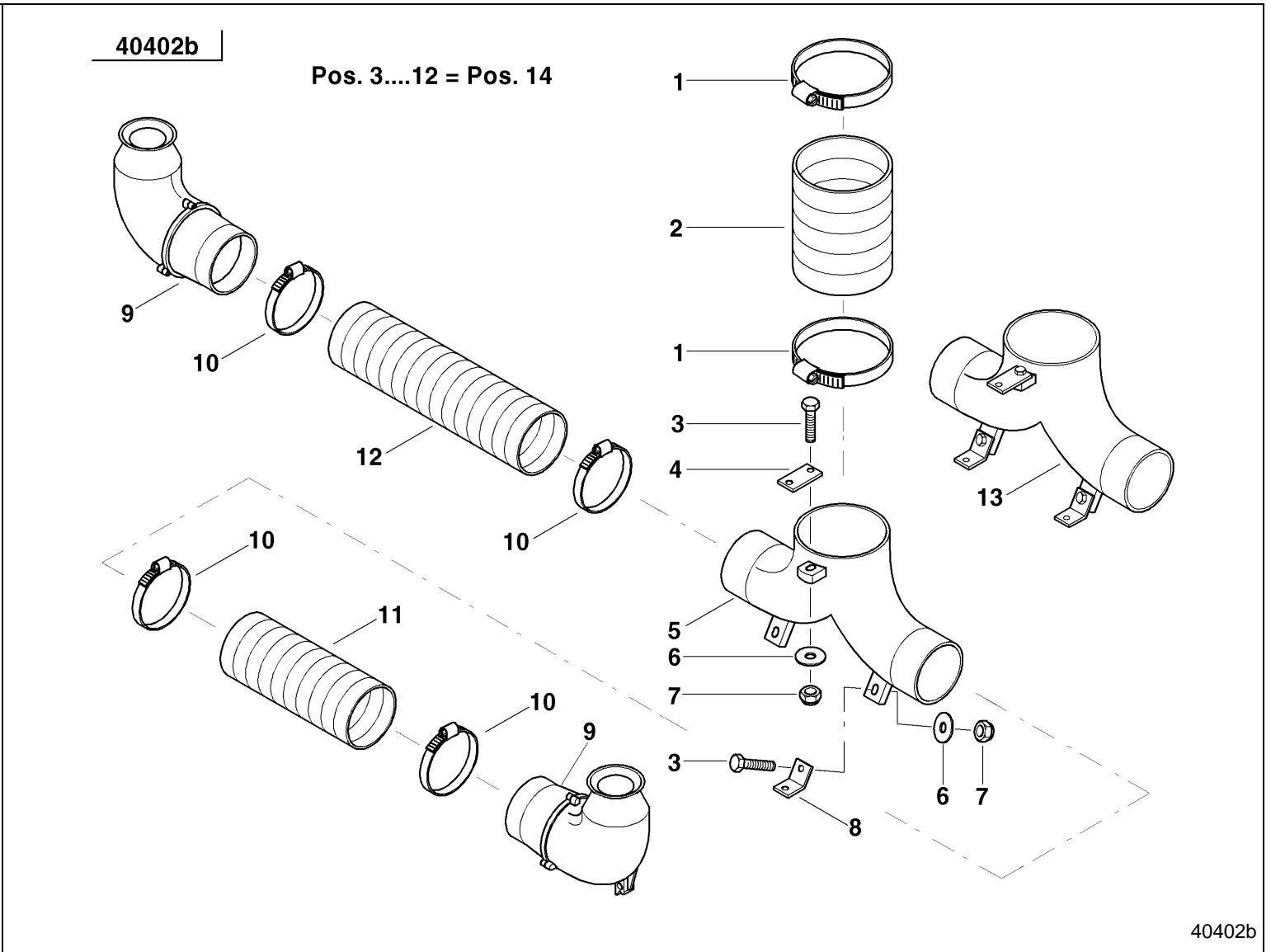


40122a

FT-2 / Verteilersystem 100 mm



| PosNr. | Teile Nr. | Stk. |
|--------|------------|------|
| 1 | AC687052 | 2 |
| 2 | AC484947 | 1 |
| 3 | KG00497200 | 3 |
| 4 | AC496718 | 1 |
| 5 | AC496814 | 1 |
| 6 | AC646307 | 3 |
| 7 | KG01071100 | 3 |
| 8 | AC496717 | 2 |
| 9 | AC489309 | 2 |
| 10 | AC687422 | 4 |
| 11 | AC484952 | 1 |
| 12 | AC484953 | 1 |
| 13 | AC496114 | 1 |
| 14 | AC488118 | 1 |

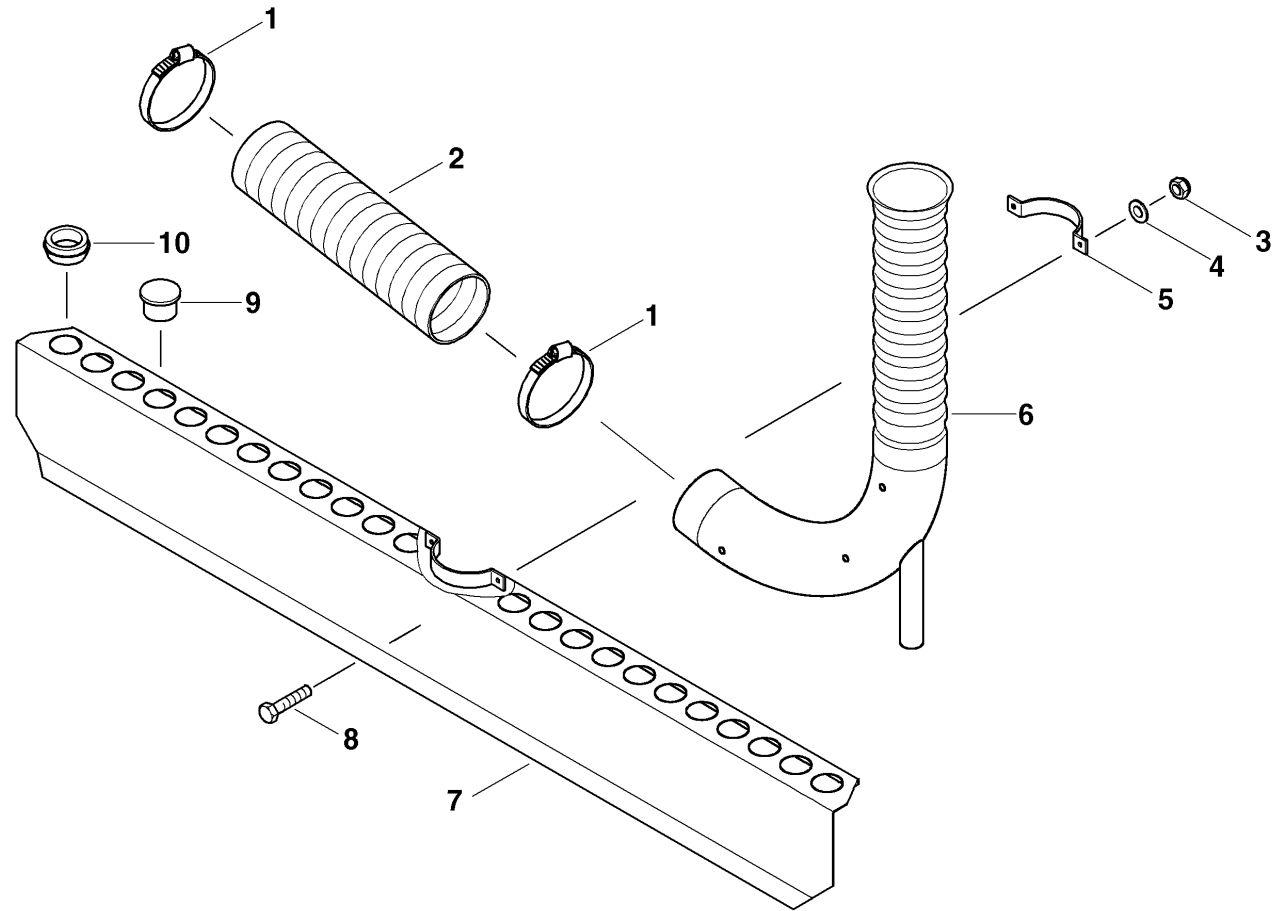


FT-2 / Schlauchhalteblech Fold



| PosNr. | Teile Nr. | Stk. |
|--------|------------|------|
| 1 | AC687431 | 4 |
| 2 | AC608121 | 1 |
| 3 | KG01067361 | 4 |
| 4 | KG01267261 | 4 |
| 5 | AC494717 | 2 |
| 6 | AC498360 | 2 |
| 7 | AC483203 | 2 |
| 8 | KG00351161 | 4 |
| 9 | AC488832 | 1 |
| 10 | AC494830 | 1 |

40795



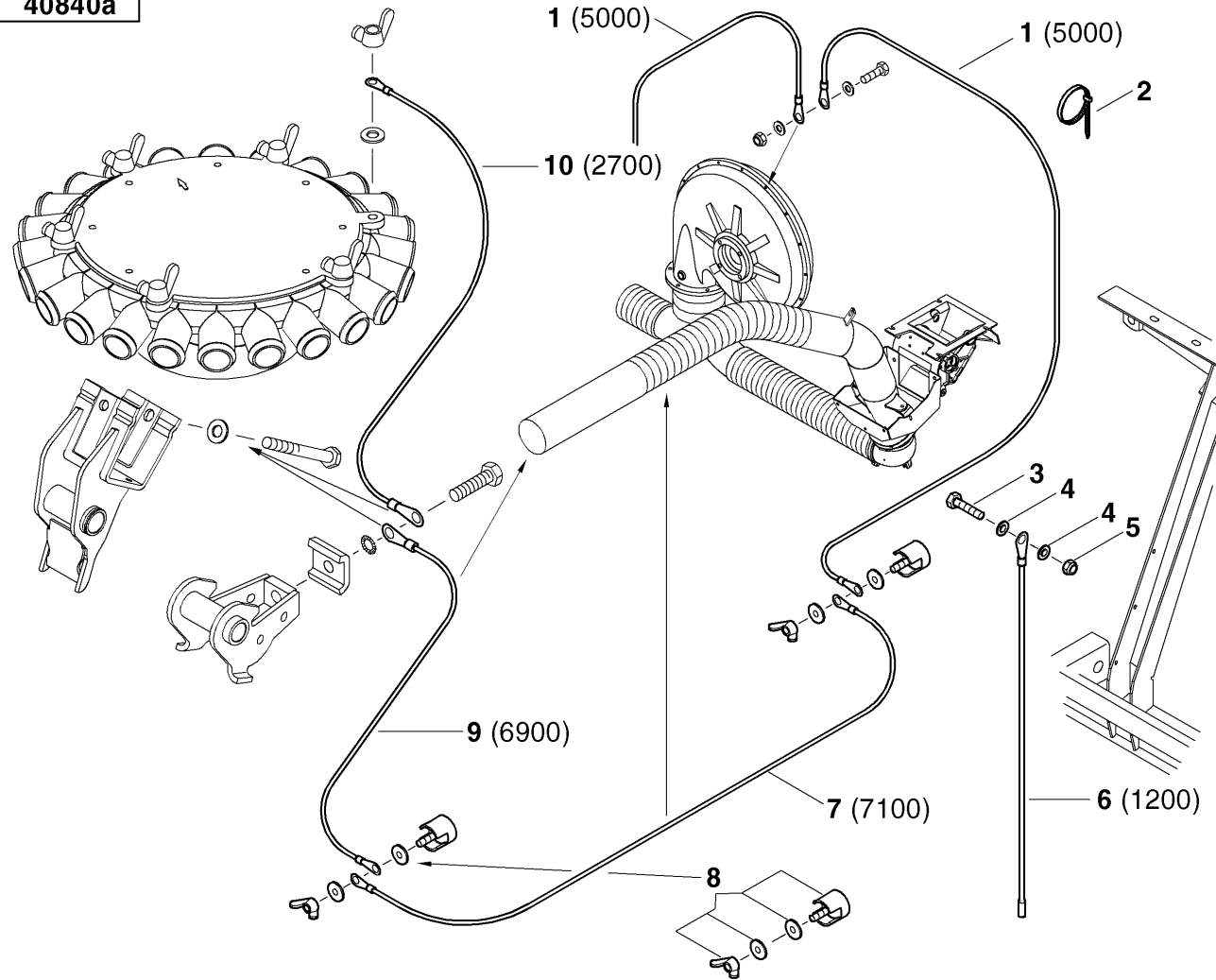
40795

FT-2 / Signus



| PosNr. | Teile Nr. | Stk. |
|--------|------------|------|
| 1 | AC498931 | 2 |
| 2 | AC687335 | 20 |
| 3 | KG00497100 | 1 |
| 4 | KG01263900 | 2 |
| 5 | KG01071100 | 1 |
| 6 | AC498930 | 1 |
| 7 | AC498917 | 2 |
| 8 | AC498921 | 4 |
| 9 | AC498929 | 2 |
| 10 | AC480939 | 2 |

40840a



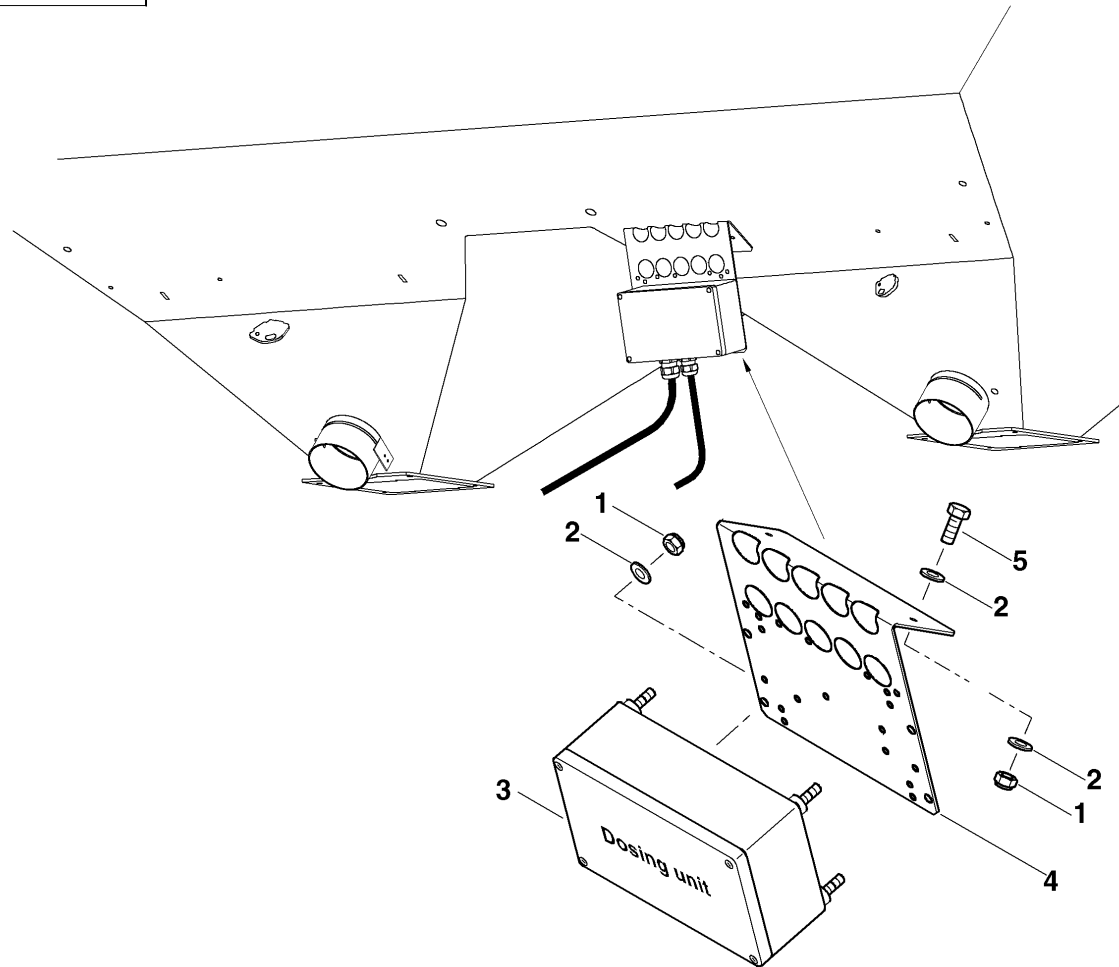
40840a

FT-2 / Elektronik Tellus / Elektronik Focus 2



| PosNr. | Teile Nr. | Stk. |
|--------|------------|------|
| 1 | KG01071000 | 6 |
| 2 | KG01263800 | 6 |
| 3 | VNB0555673 | 1 |
| 4 | AC488651 | 1 |
| 5 | KG00495200 | 2 |

40476a

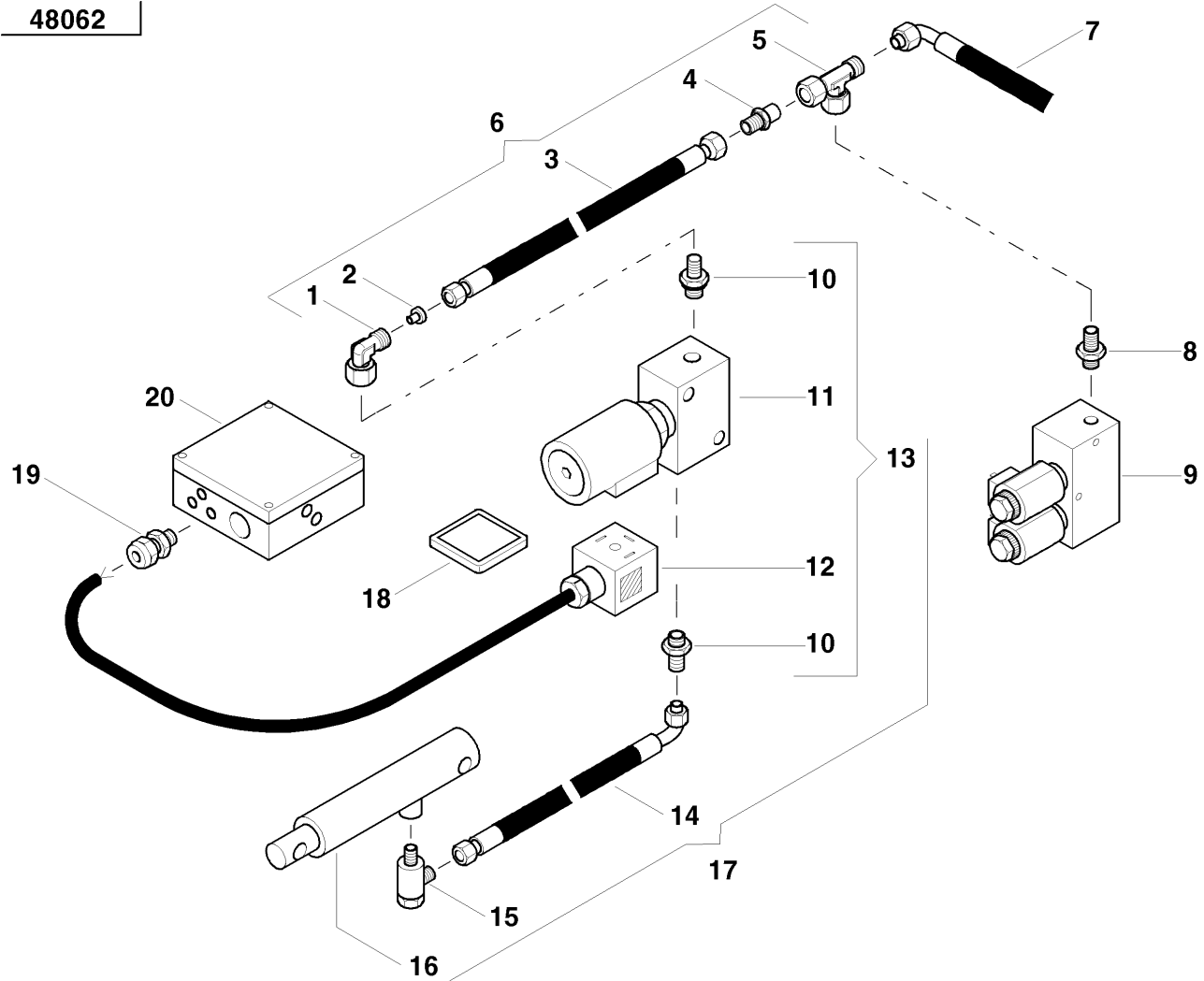


40476a

FT-2 / Elektronik Tellus / Elektronik Focus 2



| PosNr. | Teile Nr. | Stk. |
|--------|------------|------|
| 1 | AC688223 | 1 |
| 2 | AC497444 | 1 |
| 3 | AC497686 | 1 |
| 4 | AC688023 | 1 |
| 5 | AC688131 | 1 |
| 6 | AC497812 | 1 |
| 7 | AC488080 | 1 |
| 8 | AC688600 | 1 |
| 9 | AC420849 | 1 |
| 10 | AC688013 | 2 |
| 11 | AC497684 | 1 |
| 12 | AC492132 | 1 |
| 13 | AC492129 | 1 |
| 14 | AC497689 | 1 |
| 15 | AC688203 | 1 |
| 16 | AC497685 | 1 |
| 17 | AC492137 | 1 |
| 18 | AC689190 | 1 |
| 19 | VNB0153973 | 1 |
| 20 | AC487966 | 1 |



48062

FT-2 / Teilenummern-Index



| Part No. | Page | Pos No | Part No. | Page | Pos No | Part No. | Page | Pos No | Part No. | Page | Pos No |
|----------|------|--------|----------|------|--------|----------|------|--------|----------|------|--------|
| AC494169 | 40 | 21 | AC494350 | 4 | 14 | AC494697 | 2 | 1 | AC494724 | 95 | 8 |
| AC494172 | 36 | 6 | AC494350 | 5 | 14 | AC494697 | 3 | 1 | AC494724 | 109 | 6 |
| AC494223 | 2 | 11 | AC494350 | 6 | 12 | AC494697 | 4 | 1 | AC494725 | 3 | 21 |
| AC494224 | 1 | 11 | AC494350 | 21 | 15 | AC494697 | 5 | 1 | AC494725 | 6 | 18 |
| AC494259 | 36 | 21 | AC494350 | 22 | 13 | AC494697 | 6 | 1 | AC494725 | 23 | 22 |
| AC494259 | 40 | 15 | AC494350 | 23 | 15 | AC494710 | 106 | 6 | AC494725 | 24 | 20 |
| AC494266 | 1 | 13 | AC494350 | 25 | 15 | AC494716 | 36 | 24 | AC494726 | 62 | 4 |
| AC494266 | 2 | 13 | AC494350 | 26 | 13 | AC494716 | 40 | 20 | AC494726 | 68 | 3 |
| AC494266 | 3 | 13 | AC494385 | 41 | 6 | AC494717 | 135 | 9 | AC494726 | 72 | 3 |
| AC494266 | 21 | 13 | AC494391 | 36 | 22 | AC494717 | 136 | 20 | AC494733 | 3 | 23 |
| AC494266 | 23 | 13 | AC494391 | 40 | 18 | AC494717 | 137 | 5 | AC494733 | 6 | 20 |
| AC494266 | 24 | 14 | AC494408 | 95 | 14 | AC494717 | 139 | 18 | AC494733 | 23 | 24 |
| AC494266 | 25 | 13 | AC494408 | 97 | 1 | AC494717 | 142 | 5 | AC494733 | 24 | 22 |
| AC494275 | 96 | 13 | AC494408 | 100 | 7 | AC494717 | 153 | 2 | AC494739 | 1 | 2 |
| AC494294 | 36 | 7 | AC494417 | 1 | 7 | AC494718 | 36 | 23 | AC494739 | 2 | 2 |
| AC494300 | 1 | 6 | AC494417 | 2 | 7 | AC494718 | 40 | 19 | AC494739 | 3 | 2 |
| AC494300 | 4 | 6 | AC494417 | 3 | 6 | AC494723 | 1 | 19 | AC494739 | 4 | 2 |
| AC494301 | 2 | 6 | AC494417 | 4 | 7 | AC494723 | 2 | 19 | AC494739 | 5 | 2 |
| AC494301 | 5 | 6 | AC494417 | 5 | 7 | AC494723 | 3 | 22 | AC494739 | 6 | 2 |
| AC494310 | 34 | 4 | AC494417 | 6 | 6 | AC494723 | 4 | 18 | AC494739 | 110 | 16 |
| AC494310 | 36 | 2 | AC494418 | 36 | 15 | AC494723 | 5 | 18 | AC494743 | 108 | 2 |
| AC494319 | 34 | 5 | AC494418 | 40 | 22 | AC494723 | 6 | 19 | AC494743 | 169 | 2 |
| AC494319 | 36 | 8 | AC494442 | 36 | 17 | AC494723 | 8 | 14 | AC494754 | 131 | 12 |
| AC494320 | 34 | 7 | AC494484 | 34 | 6 | AC494723 | 10 | 14 | AC494796 | 46 | 13 |
| AC494320 | 36 | 10 | AC494484 | 36 | 9 | AC494723 | 21 | 19 | AC494809 | 93 | 9 |
| AC494329 | 93 | 8 | AC494488 | 36 | 27 | AC494723 | 22 | 17 | AC494809 | 95 | 19 |
| AC494329 | 95 | 18 | AC494488 | 40 | 14 | AC494723 | 23 | 23 | AC494809 | 97 | 23 |
| AC494329 | 97 | 22 | AC494623 | 78 | 14 | AC494723 | 24 | 21 | AC494809 | 99 | 12 |
| AC494329 | 99 | 13 | AC494625 | 74 | 10 | AC494723 | 25 | 19 | AC494813 | 7 | 2 |
| AC494342 | 105 | 3 | AC494669 | 36 | 20 | AC494723 | 26 | 17 | AC494813 | 22 | 15 |
| AC494350 | 1 | 15 | AC494669 | 40 | 17 | AC494723 | 27 | 12 | AC494830 | 66 | 11 |
| AC494350 | 2 | 15 | AC494677 | 7 | 1 | AC494723 | 28 | 12 | AC494830 | 142 | 10 |
| AC494350 | 3 | 15 | AC494697 | 1 | 1 | AC494723 | 44 | 17 | AC494830 | 143 | 7 |

CLICK HERE TO **DOWNLOAD** THE COMPLETE MANUAL

- Thank you very much for reading the preview of the manual.
- You can download the complete manual from: www.heydownloads.com by clicking the link below



- Please note: If there is no response to CLICKING the link, please download this PDF first and then click on it.

CLICK HERE TO **DOWNLOAD** THE COMPLETE MANUAL