

Ⓓ **Ersatzteilliste**

Nr. 99 642.DE.90F.1

Ⓕ Catalogue des Pièces Detachees

ⒼⒷ Spare parts list

TWIST 4001



Ihre / Your / Votre • Masch.Nr. • Fgst.Ident.Nr.

Version 07/2005

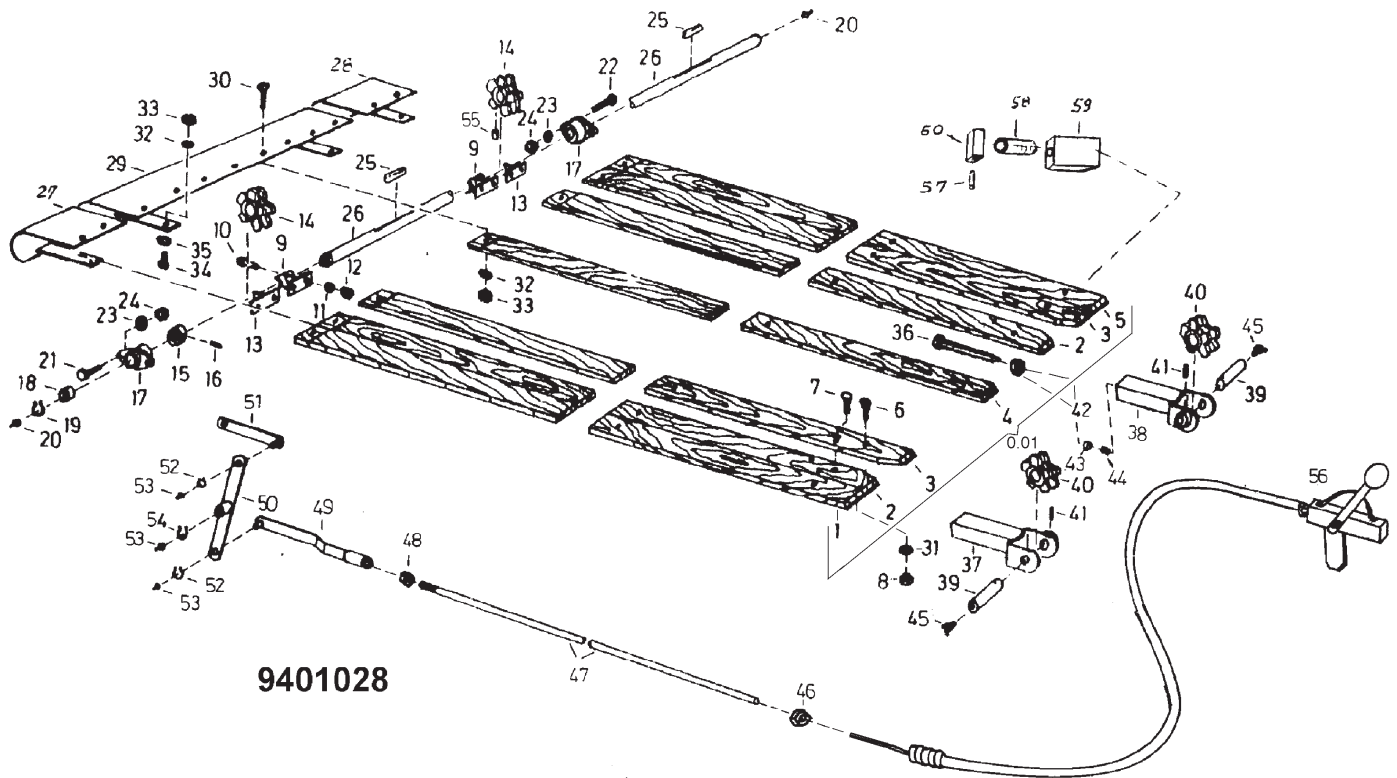
CLICK HERE TO **DOWNLOAD** THE COMPLETE MANUAL

- Thank you very much for reading the preview of the manual.
- You can download the complete manual from: www.heydownloads.com by clicking the link below

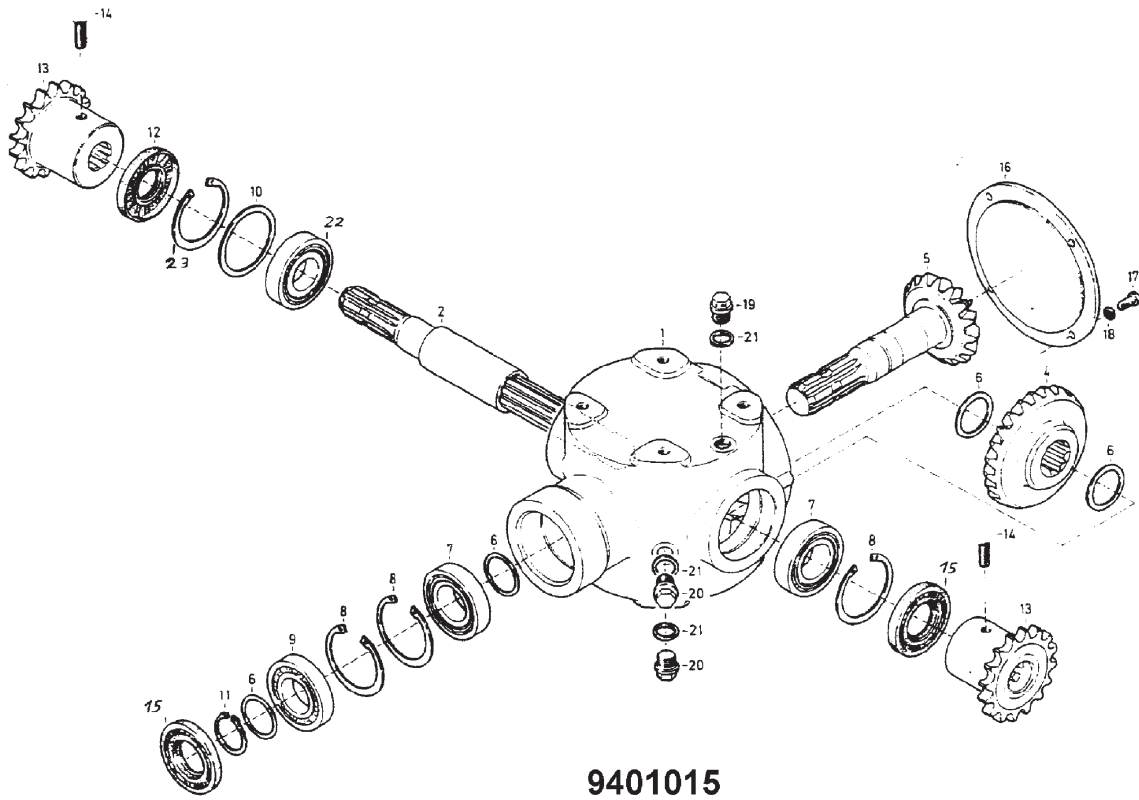


- Please note: If there is no response to CLICKING the link, please download this PDF first and then click on it.

CLICK HERE TO **DOWNLOAD** THE COMPLETE MANUAL



PNR	TEILE-NR	MENGE	BENENNUNG	DESIGNATION	DESCRIPTION	BEMERK/REMARQUE	FU
1	60	Z2602.0050	0 VORSCHUBRAD 35MM	ROUE D'AVANCE	FORWARD FEED WHEEL		
2	60	Z2602.0090	0 VORSCHUBHEBEL	LEVIER D'AVANCE	LEVER		
3	60	Z2602.0080	0 KLINKENBOLZEN	BOULON	BOLT		
4	60	Z2602.0040	0 KLINKE	CLIQUET	PAWL		
5	60	Z0404.0030	0 SCHMIERNIPPEL M6 GERADE	RACCORD DE GRAISSEUR	GREASING NIPPLE		
6	60	Z0404.0040	0 SCHMIERNIPPEL M6	RACCORD DE GRAISSEUR	GREASING NIPPLE		
7	60	Z0215.0110	0 FLACHMUTTER M22 D936	ECROU	NUT		
8	60	Z1102.0030	0 ZUGFEDER A13 L=80MM	RESSORT	EXTENSION SPRING		
9	60	Z1102.0030	0 ZUGFEDER A13 L=80MM	RESSORT	EXTENSION SPRING		
10	60	Z0404.0030	0 SCHMIERNIPPEL M6 GERADE	RACCORD DE GRAISSEUR	GREASING NIPPLE		
11	60	Z0705.0130	0 SEEGERRING 35AX1.5 D471	CIRCLIP	RETAINING RING		
12	60	Z1003.0095	0 PASSSCHEIBE 35-45-1 D988	BAGUE	RING, SPACING		
13	60	Z2602.0071	0 KULISSENSCHEIBE	DISQUE COULISSANT	DISC		
14	60	Z0705.0050	0 SEEGERRING 17Ax1.0 D471	BAGUE SEEGER D.40	SEEGER RING D.40		
15	60	S1003.0080	0 DISTANZR. 35DM T28 KRATZBODEN	RONDELLE D'ECART.	SPACER		
16	60	Z1002.0160	0 PASSFEDER 10-8-50 D6885	CLAVETTE	KEY		
17	60	Z0705.0100	0 SEEGERRING 25A D471	BAGUE SEEGER D.40	SEEGER RING D.40		
18	60	S1001/0030	0 DISTANZSCHEIBE Ø25 KLINKE	ANNEAU ENTRETOISE	SPACER RING		
19	60	Z2602.0110	0 VORSCHUB - PLEUELLAGER	COUS. TETE DE BIELLE	CONNECTIN ROD		
20	60	Z2602.0120	0 VORSCHUB - LAGERBUECHSE	COUSSINET D'AVANCE	FORWARD FEED BUSH		
21	60	Z0201.0110	0 MUTTER M20 D555	ECROU	NUT		
22	60	S3505.0010	0 PLEUELSTANGE 20X200MM T45	BIELLE C	ROD		
23	60	Z0207.0040	0 LINKSGEWINDEMUTTER M20 D934	ECROU	NUT		
24	60	S0502/0010	0 EXZENTERLAGERGEHÄUSE PHE25 LI.	CARTER DE PALIER	BEARING HOUSING		
25	60	Z0802.0140	0 LAGER	SUPPORT	SUPPORT		
26	60	S1003/0010	0 DISTANZRING 18MM	BAGUE	RING		
27	60	Z0205.0030	0 KRONENMUTTER M18x1.5FLACH D937	ECROU CRÉNEAUX	CASTLE NUT		
28	60	Z0401.0150	0,000 SPLINT 4X40 D94 VZ	GOUPILLE FENDUE	COTTERPIN		
29	60	S0109.0030	0,000 VORSCHUBZAHNRAD M=4 Z=48	PIGNON D'ALIMENT.	FEED SPROCKET		
30	60	S4519.0010	0,000 ABDECKSCHEIBE 35/71DX6	COUVERCLE	COVER		
31	60	Z0801.0660	0,000 RILLENKUGELLAGER 6207Z D625	ROULEM.DE BUTEE	BEARING		
32	60	S0516.0020	0,000 VORSCHUBLAGERGEHÄUSE T28	PALIER CARTER	BEARING CASING		
33	60	Z0104.0272	0,000 STAHLSCR. 12X40 D933 8.8 BL.	VIS 8X16	SCREW 8X16		
34	60	Z0306.0070	0,000 FEDERRING 12MM D127B	RONDELLE GROWER	WASHER, SPRING		
35	60	Z0201.0070	0,000 MUTTER M12 D934	ECROU	NUT		
36	60	Z0801.0650	0,000 RILLENKUGELLAGER 6206Z D625	ROULEM.DE BUTEE	BEARING		
37	60	S4519.0020	0,000 ABDECKSCHEIBE 30/62DMX6	COUVERCLE	COVER		
38	60	Z0205.0030	0,000 KRONENMUTTER M18x1.5FLACH D937	ECROU CRÉNEAUX	CASTLE NUT		
39	60	Z0401.0150	0,000 SPLINT 4X40 D94 VZ	GOUPILLE FENDUE	COTTERPIN		
40	60	Z0404.0090	0,000 SCHMIERNIPPEL M10X1 GERADE	RACCORD DE GRAISSEUR	GREASING NIPPLE		
41	60	S0402.0070	0,000 VORSCHUBGETRIEBESCHUTZ T 45	PROTECTION	GEAR COVER		
42	60	Z2103.0010	0,000 HAUBENHALTER 120 MM	ATTACHE DE CAPOT	HOOD FASTENER		
43	60	Z0401.0140	0,000 SPLINT 5x50 D94 VZ	GOUPILLE FENDUE	COTTERPIN		
44	60	Z0412.0140	0,000 SPANNSTIFT 6x12 D1481	GOUPILLE MECANINDUS	ROLLPIN		
45	60	S4803.0030	0,000 HALTEKLINKE	CLIQUET DE RETENUE	HOLDING PAWL		
46	60	Z0705.0070	0,000 SEEGERRING 20Ax1.2 D471	BAGUE SEEGER D.40	SEEGER RING D.40		
47	60	S1001.0060	0,000 DISTANZSCHEIBE Ø35/Ø20x5	ANNEAU ENTRETOISE	SPACER RING		
48	60	Z0105.0180	0,000 STAHLSCR. 10X30 VERZ.D933 8.8	VIS 8X16	SCREW 8X16		
49	60	Z0303.0040	0,000 BEILAGSCHEIBE 10MM VERZ. D125	RONDELLE	WASHER		
50	60	S2618.0020	0,000 EINSTELLKONSOLE	CONSOLE DE REGLER	ADJUST BRACKET		
51	60	Z0202.0040	0,000 MUTTER M10 VERZINKT D934	ECROU	NUT		
52	60	Z0107.0073	0,000 STAHLSCR. 10x60 VERZ.D933 8.8	VIS 8X16	SCREW 8X16		
53	60	Z0202.0040	0,000 MUTTER M10 VERZINKT D934	ECROU	NUT		

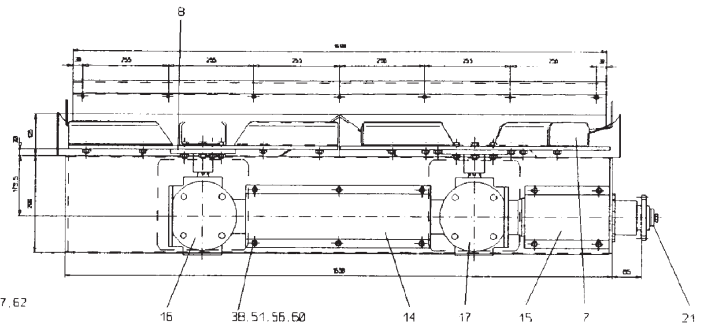
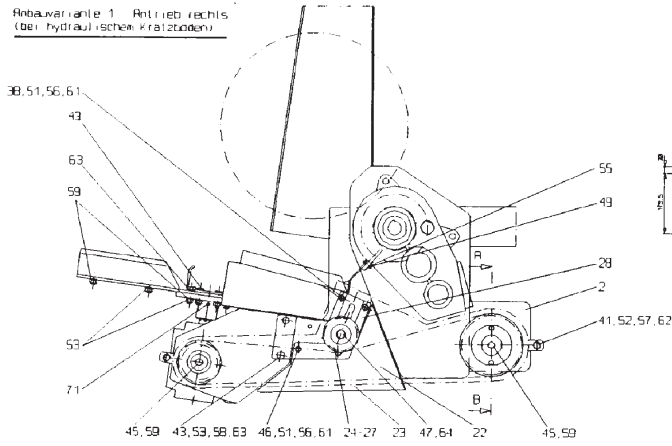


9401015

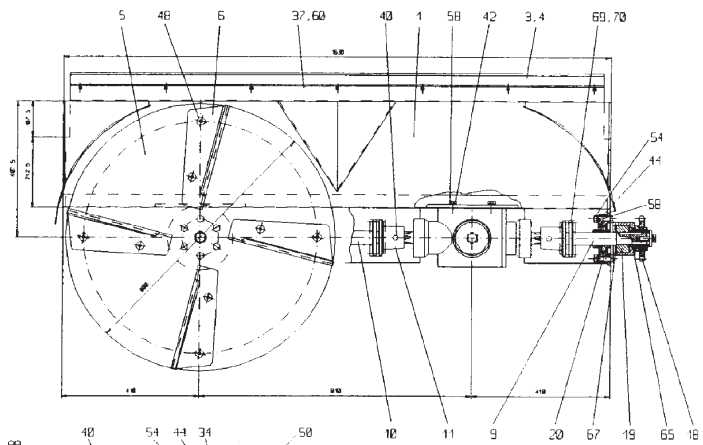
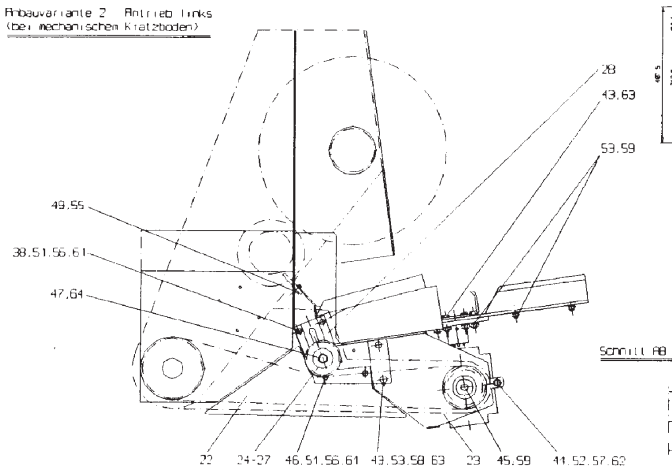
PNR	TEILE-NR	MENGE	BENENNUNG	DESIGNATION	DESCRIPTION	BEMERK/REMARQUE	FU
1	60	Z0509.0540	0 KUPPLUNGSKOPF MIT STIFT - GUSS	TETE D'ACCOUPL.	COUPLING PART		
2	60	Z0509.0100	0 DRUCKRING M22x1.5 DRUCKLUFT	CONE DE SERRAGE	THRUST RING		
3	60	Z0509.0660	0 SCHLAUCHSTUTZEN - GEWINDE	TUYAU DE RALLONGE	HOSE NOZZLE		
4	60	Z0509.0720	0 SCHLAUCHSCHELLE	BRIDE	CLAMP		
5	60	Z0509.0320	0 SCHLAUCH 13x25 DIN 74310	TUYAU	HOSE		
6	60	Z0509.0560	0 LUFTFILTER M22x1.5 D74347	FILTRE A AIR ORANGE	AIR CLEANER ORANGE		
7	60	Z0509.0680	0 WINKELVERSCHRAUBUNG	RACCORD FILETE COUDE	CONNECTING SCREW		
9	60	Z0509.0570	0 ANHAENGERBREMSVENTIL 1-LEITER	REM. VALVE DE FREIN	TRAILER BRAKE VALVE		
10	60	Z0104.0200	0 STAHLSCR. 10X30 D933 8.8 BL.	VIS 8X16	SCREW 8X16		
11	60	Z0306.0060	0 FEDERRING 10MM D127B	RONDELLE GROWER	WASHER, SPRING		
12	60	Z0201.0060	0 MUTTER M10 D934	ECROU	NUT		
13	60	Z0509.0320	0 SCHLAUCH 13x25 DIN 74310	TUYAU	HOSE		
14	60	Z0509.0590	0 LUFTBEHAELTER 20 LITER	RESERVOIR D'AIR COM.	AIR TANK		
15	60	Z0509.0530	0 ENTWASSERUNGSVENTIL MECH.	VALVE DE PURGE	DRAINING VALVE		
16	60	Z0509.0520	0 HOHLSCHRAUBE - DL BEHAELTER	VIS	SCREW		
17	60	Z0509.0600	0 SPANNBAND 206MM ZU DL-BEHAELTE	BANDE DE SERRAGE	ADAPTER BAND		
19	60	Z0509.0320	0 SCHLAUCH 13x25 DIN 74310	TUYAU	HOSE		
20	60	Z0509.0690	0 GERADE VERSCHRAUBUNG	VISSAGE	THREADED UNION		
21	60	Z0509.0330	0 KUNSTSTOFFROHR Ø15/Ø12	TUYAU PLASTIQUE	NYLON PIPE		
22	60	Z0509.0700	0 T-VERSCHRAUBUNG MIT SCHLAUCHAN	PAPILLON	THROTTLE VALVE		
23	60	Z0509.0320	0 SCHLAUCH 13x25 DIN 74310	TUYAU	HOSE		
24	60	Z0509.0320	0 SCHLAUCH 13x25 DIN 74310	TUYAU	HOSE		
25	60	Z0509.0690	0 GERADE VERSCHRAUBUNG	VISSAGE	THREADED UNION		
26	60	Z0509.0680	0 WINKELVERSCHRAUBUNG	RACCORD FILETE COUDE	CONNECTING SCREW		
27	60	Z0509.0040	0 DRUCKLUFTBREMSZYLINDER 100MM	FREIN PNEU. VERIN	AIR BRAKING CYLINDER		
28	60	Z0509.0040	0 DRUCKLUFTBREMSZYLINDER 100MM	FREIN PNEU. VERIN	AIR BRAKING CYLINDER		
29	60	Z0104.0260	0 STAHLSCR. 12X30 D933 8.8 BL.	VIS 8X16	SCREW 8X16		
30	60	Z0306.0070	0 FEDERRING 12MM D127B	RONDELLE GROWER	WASHER, SPRING		
31	60	Z0201.0070	0 MUTTER M12 D934	ECROU	NUT		
32	60	Z0509.0730	0 BOLZEN Ø14x45 ZU DL-ZYLINDER	AXE	PIN		
33	60	Z0401.0130	0 SPLINT 4x32 D94 VERZ.	GOUPILLE FENDUE	COTTERPIN		
34	60	Z0507.0040	0 BREMSAUSGLEICH 250	COMPENSAT. DU FREIN	BRAKE COMPENSAT. BAR		
35	60	Z0507.0040	0 BREMSAUSGLEICH 250	COMPENSAT. DU FREIN	BRAKE COMPENSAT. BAR		
36	60	Z0507.0060	0 BREMSHEBEL 180MM/26	LEVIER DE FREIN	BRAKE LEVER		
37	60	Z0106.0260	0 STAHLSCR. 12x50 D931 8.8	VIS 8X16	SCREW 8X16		
38	60	Z0201.0070	0 MUTTER M12 D934	ECROU	NUT		
39	60	Z1102.0020	0 ZUGFEDER A20 I15 L145	RESSORT	EXTENSION SPRING		
42	60	Z0504.0020	0 SEILKAUSCHE 6MM	COSSE POUR CABLE	THIMBLE		
43	60	Z0503.0010	0,000 SEILKLEMME 6MM	SERRE-CABLE METAL.	CLAMP 3 MM		

**TELLERSTREUWERK
PLATEAU DE DISTRIBUTEUR
AGGREGATE PLATE
K9801143**

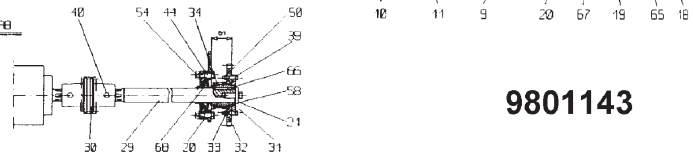
Anbauvariante 1 - Antrieb rechts
(bei hydraulischen Krietzboden)



Anbauvariante 2 - Antrieb links
(bei mechanischen Krietzboden)



Schnitt AB



9801143

CLICK HERE TO **DOWNLOAD** THE COMPLETE MANUAL

- Thank you very much for reading the preview of the manual.
- You can download the complete manual from: www.heydownloads.com by clicking the link below



- Please note: If there is no response to CLICKING the link, please download this PDF first and then click on it.

CLICK HERE TO **DOWNLOAD** THE COMPLETE MANUAL