

Ⓓ **Ersatzteilliste**

Nr. 99 943.DE.90G.0

Ⓕ **Catalogue des Pièces Detachees**

ⒼⒷ **Spare parts list**

SERVO IV

(TYPE SERVO : +.. 01257)

SERVO IV E

(TYPE SERVO : +.. 01257)

SERVO IV PLUS

(TYPE SERVO : +.. 01257)



Ihre / Your / Votre • Masch.Nr. • Fgst.Ident.Nr.

Version 08/05

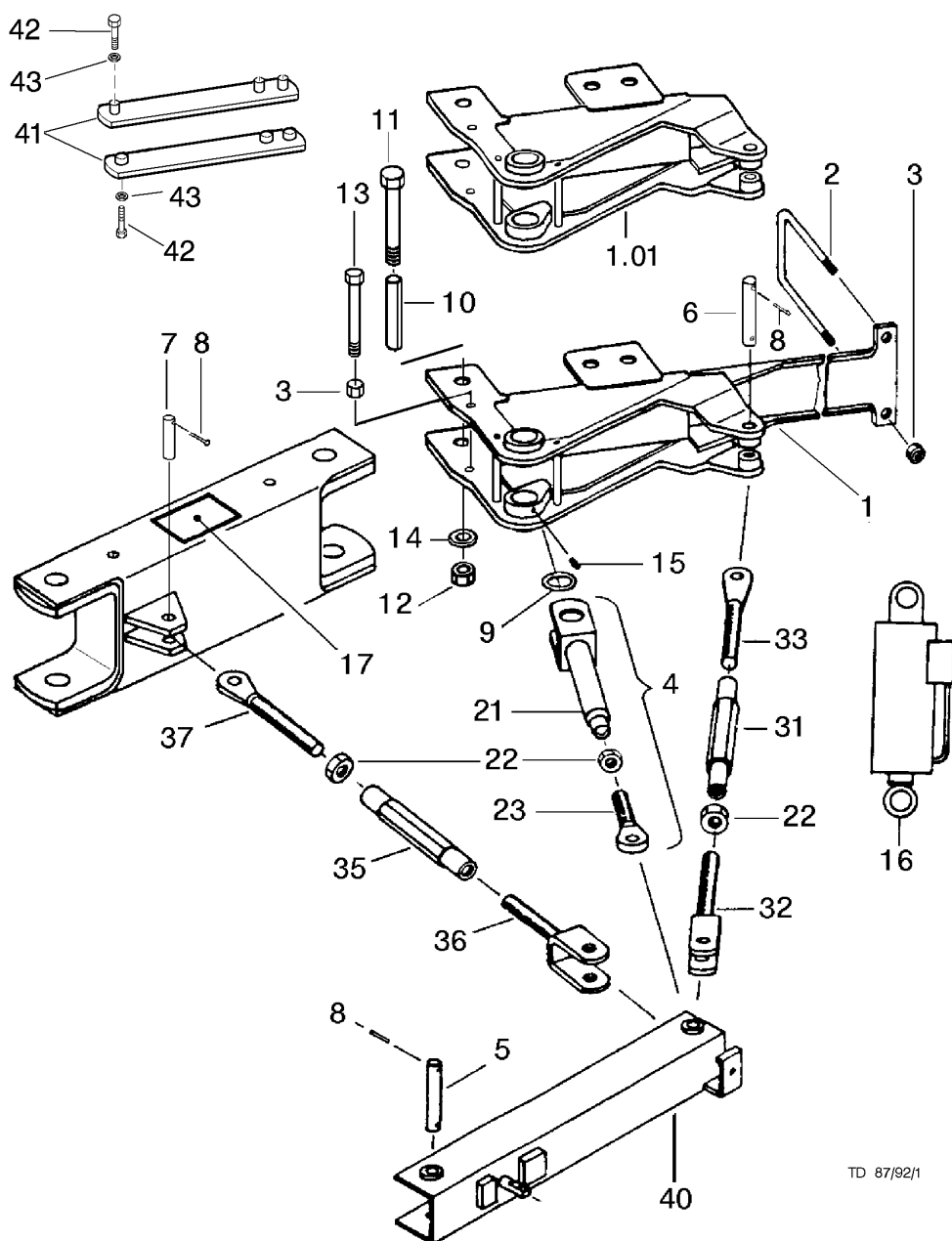
CLICK HERE TO **DOWNLOAD** THE COMPLETE MANUAL

- Thank you very much for reading the preview of the manual.
- You can download the complete manual from: www.heydownloads.com by clicking the link below



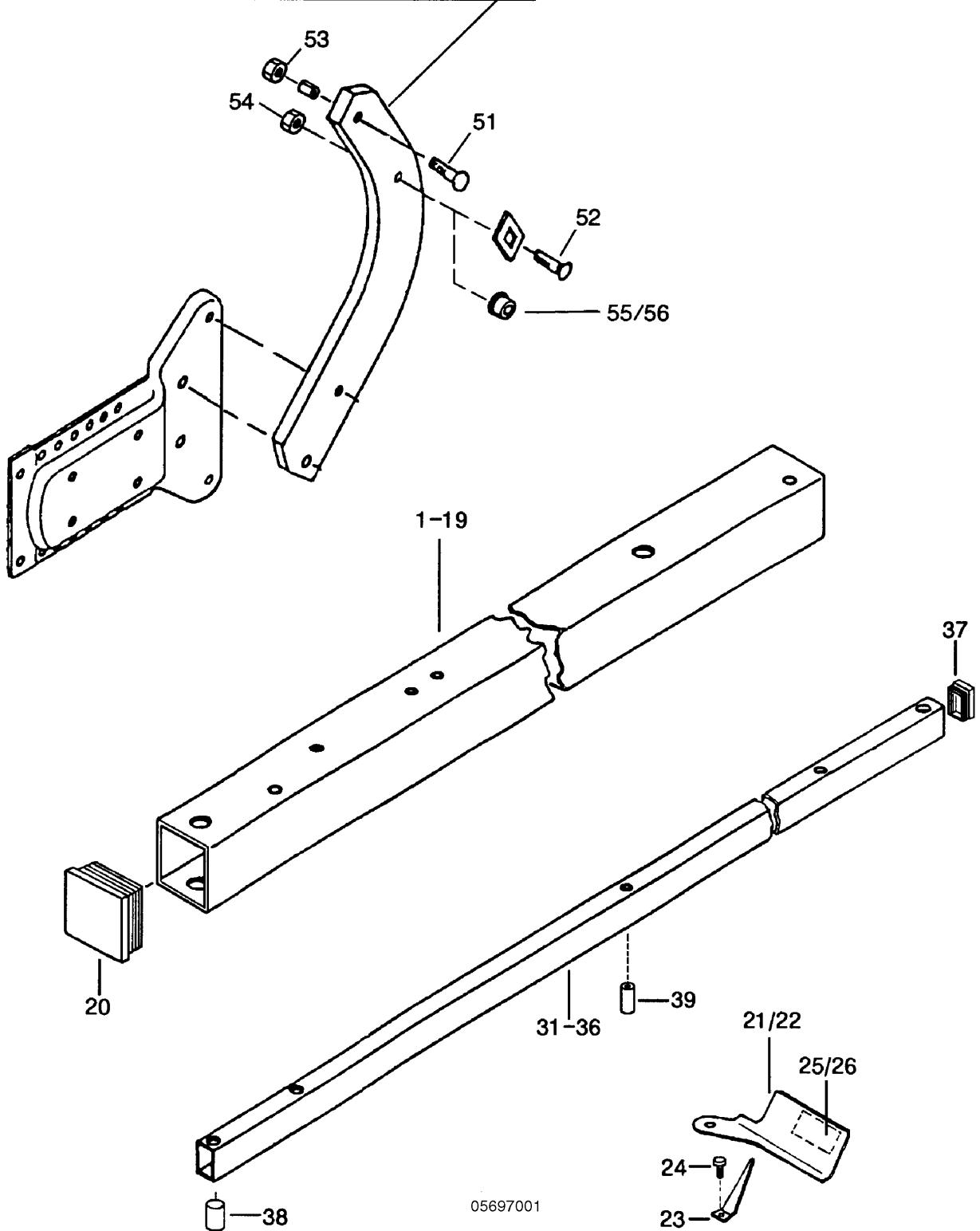
- Please note: If there is no response to CLICKING the link, please download this PDF first and then click on it.

CLICK HERE TO **DOWNLOAD** THE COMPLETE MANUAL

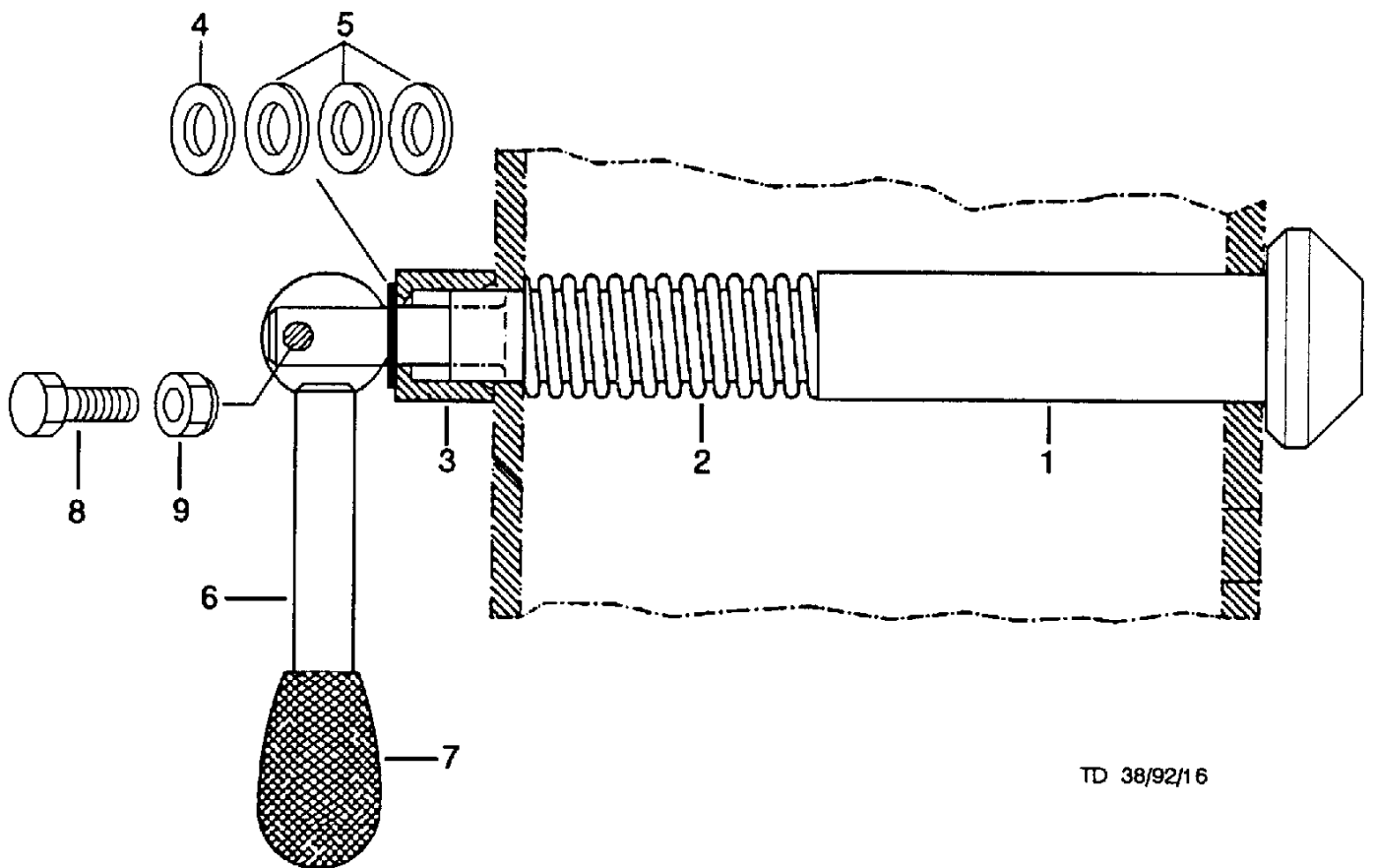


PNR	TEILE-NR	MENGE	BENENNUNG	DESIGNATION	DESCRIPTION	BEMERK/REMARQUE	FU
0.01	00 953.72.000.0	1	RAHMENEINSCHWENKUNG ZUS.	PIVOT. DE BATI	FRAME TURNING		
1	00 953.72.040.0	1	VIERGELENKHEBEL MV	LEVIER	LEVER		
2	00 953.72.025.0	1	STANDSTUETZENH. SZ.	SUPPORT	SUPPORT		
3	00 953.72.027.0	1	BUEGELSCHRAUBE	ECROU D'ETRIER	SCREW		
4	00 953.72.030.0	1	HALTERPLATTE SZ.	LAMINAGE	SUPPORT PLATE		
5	00 953.72.020.0	1	RAHMENEINSCHW. L SZ.	PIVOT. DE BATI	FRAME TURNING	L	
6	00 953.61.075.0	1	VIERGELENKBOLZEN 25 MV SZ.	AXE	BOLT		
7	00 953.72.010.0	1	RAHMENEINSCHW. R SZ.	PIVOT. DE BATI	FRAME TURNING	R	
8	00 953.72.036.0	1	BOLZEN	AXE	PIN		
9	00 953.72.035.0	1	BOLZEN 2	AXE	PIN		
10	00 953.72.015.0	1	BOLZEN SZ.	AXE	PIN		
11	00 953.72.014.0	2	HUELSE	DOUILLE	SLEEVE		
12	00 953.72.034.0	1	BOLZEN 1	AXE	PIN		
13	00 162.402	2	SCHIBE 24X8,5X1,5	RONDELLE	RING, SPACING		
14	00 120.159	2	SK-MUTTER M8 DIN 934-8 ZN	ECROU HEXAGONAL	NUT, HEX.		
15	00 442.157	1	ZYLINDER	VERIN REGLABLE	CYLINDER ADJ.		
15.01	00 442.157.001	1	DICHTSATZ ZU 00 442.157	JEU DE JOINT	SEALING SET		
16	00 410.363	2	EINSPANNBUCHSE 34/30X20	DOUILLE	BUSH		
17	00 172.170	1	SPANNSTIFT 8X40 DIN 1481	GOUPILLE MECANINDUS	ROLLPIN		
18	00 155.026	4	SICHERUNGSRING 30X1,5 DIN471	CIRCLIP	CIRCLIP		
19	00 410.168	3	GER. BUECHSE 30X34X20 WIELAND	DOUILLE	BUSH		
20	00 122.062	1	SICHERUNGSMUTTER M20 DIN 980-8	ECROU „STOVER“	NUT, LOCK		
21	00 162.424	1	SCHIBE 36X20,5X4	RONDELLE	RING, SPACING		
22	00 122.009	2	SK-MUTTER M16 DIN 985-8 ZN	ECROU HEXAGONAL	NUT, HEX.		
23	00 162.409	4	SCHIBE 34X16,5X3 ZN	RONDELLE	RING, SPACING		
24	00 100.378	2	SK-SCHR. M16X140 DIN 931	VIS A TET 6 PANS	SCREW, HEX.HD.		
25	00 191.002	8	SCHMIERN. SFG AM 8X1 DIN 71412	RACCORD DE GRAISSAGE	GREASING NIPPLE		
26	00 447.063	2	HOECHSTDRUCKSCHLAUCH L=1100	TUYAU A HAUTE PRES.	ULTRA-HIGH-PRES.HOSE		
27	00 543.014	0	LOCTITE 648/50	LOCTITE	LOCTITE		
28	00 448.044	2	EINSCHRAUBVERSCHR.CS10 DIN2353	RACCORD VISSE	THREADED UNION		
29	00 448.114	2	REDUZIERSTUTZEN	RACCORD REDUCTEUR	REDUCTION SOCKET		
30	00 448.001	4	UEBERWURFMUTTER AL 10 DIN 3870	ECROU-CHAPEAU	NUT		
31	00 448.002	4	SCHNEIDRING L/S 10 DIN 3861	FILIERE	RING		
32	00 448.1.353	2	EINSTB.WINKELVERSCHRAUB. DVW	RACCORD FILETE COUDE	CONNECTING SCREW		
33	00 442.621	1	VENTILSTEUERUNGSS.	COMMANDE DE SOUPAPES	VALVE CONTROL		

Rahmenhöhe MS 74	L 41
Hauteur sous bati MS 74	R 42
MS 80	L 43
	R 44
MS 88	L 45
	R 46



PNR	TEILE-NR	MENGE	BENENNUNG	DESIGNATION	DESCRIPTION	BEMERK/REMARQUE	FU
0.01	00 923.44.550.0	1	PENDELGUMMITASTRAD ZUS.	ROUE PENDULAIRE	SWIVEL RUBBER WHEEL		
0.02	00 500.0.106	1	BEREIFUNG 23X10.50-12 4 PR TL	PNEUS	TYRES	(35-37)	
1	80 923.01.070.0	1	STECKER SZ.	FICHE	PIN		
2	80 923.14.043.0	1	SECHSKANT	HEXAGONE	HEXAGON		
3	80 923.44.008.0	1	STELLRING BL8	BAGUE DE REGLAGE	SET COLLAR		
4	00 923.44.020.3	1	FUEHRUNG SZ.	GUIDE	GUIDE		
5	80 923.44.033.0	1	STELLRING BL16	BAGUE DE REGLAGE	SET COLLAR		
6	80 923.44.035.2	1	SPINDEL SZ.	PIVOT	SPINDLE		
7	80 923.44.051.2	1	PENDELLAGER L+M SZ.	ROULEMENT A ROULEAUX	BALLBEARING		
8	00 923.44.555.0	1	MITNEHMERDORN SZ	MANDRIN	PIN		
9	00 923.44.558.0	2	ABSTREIFER	RACLEUR	SCRAPER CPTE.		
10	00 923.44.580.0	1	RADTRAEGER SZ.	SUPPORT DE ROUE	WHEEL SUPPORT		
11	00 923.44.590.0	1	RADNABE SZ.	MOYEU DE ROUE	WHEEL HUB		
12	80 923.63.089.0	1	RING	BAGUE	RING		
13	00 101.018	5	SK-SCHRAUBE M14X1,5X40 DIN 961	VIS A TET 6 PANS	SCREW HEX.HD.		
14	00 103.088	4	SK-SCHR. M12X40 DIN 933-8.8	VIS HEXAGONAL	SCREW, HEX.HD.		
15	00 103.137	2	SK-SCHRAUBE M16X 80 DIN 933	VIS A TET 6 PANS	SCREW HEX.HD.		
16	00 1120200	1	FEDER 40 X 60 X 1 ZNG.NR. 923	RESSORT	SPRING		
17	00 120.163	2	SK-MUTTER M16 DIN 934-8 ZN	ECROU HEXAGONAL	NUT, HEX.		
18	00 121.113	1	KRONENMUTTER M24X3 DIN 935 8	ECROU CRENELE	NUT, SLOTTED		
19	00 122.108	4	SI-MUTTER M12 DIN 980-8 ZN	ECROU „STOVER“	NUT, LOCK		
20	00 127.002	5	KUGELBUNDM. M 14X1,5 DIN 74361	ECROU A EMBASE	WHEEL NUT		
21	00 162.403	4	SCHEIBE 28X13X3 ZN DIN 1543	RONDELLE	RING, SPACING		
22	00 173.144	1	SPANNSTIFT 6X40 DIN 1481	GOUPILLE MECANINDUS	ROLLPIN		
23	00 172.977	1	SPANNSTIFT 8X60 DIN 1481 ZN	GOUPILLE MECANINDUS	ROLLPIN		
24	00 172.140	1	SPANNSTIFT 6X28 DIN 1481	GOUPILLE MECANINDUS	ROLLPIN		
25	00 175.256	1	SPLINT 4X40 DIN 94 ZN	GOUPILLE FENDUE	COTTERPIN		
26	00 190.002	1	SCHMIERNIPPEL A M8X1 DIN 71412	RACCORD DE GRAISSEUR	GREASING NIPPLE		
27	00 190.007	2	SCHMIERNIPPEL B M8X1 DIN 71412	RACCORD DE GRAISSEUR	GREASING NIPPLE		
28	00 404.506	1	KEGELROLLENLAGER 30206 DIN 720	ROULEM.A ROUL.CONI.	TAPER ROLLER BEARING		
29	00 404.508	1	KEGELROLLENLAGER 30208 DIN 720	ROULEM.A ROUL.CONI.	TAPER ROLLER BEARING		
30	00 410.641	2	GLACIER-BUECHSE PM 4530 DX	DOUILLE GLACEE	BUSH		
31	00 415.186	1	WELLENDICHTRING A 60X80X10	BAGNE D ETANCHEITE	OIL SEAL		
32	00 438.020	2	KLAPPVORSTECKER 12X45 DIN11023	GOUPILLE FENDUE	PIN LINCH		
33	00 451.542.003	1	RADKAPPE 62 MM	COUVERCLE	CAP		
35	00 452.084	1	REIFEN 23/10.50-12 4PRTL	PNEUMATIQUE	TYRE		
36	00 452.560	1	SCHLAUCH 23/10.50-12	TUYAU SOUPLE	TUBE		
37	00 451.568	1	FELGE 7.00/12X3	JANTE DE ROUE	WHEEL RIM		



PNR	TEILE-NR	MENGE	BENENNUNG	DESIGNATION	DESCRIPTION	BEMERK/REMARQUE	FU
0.01	00 918.06.305.0	1	SCHEIBENSECHKONSOLE PL ZUS.	COUTRE DISQUE CONSO.	DISC COULTER CONSOLE	(1-13	
1	00 918.01.390.0	1	SS-KONSOLE MSV SZ.	CONSOLE	BRACKET		
2	00 918.06.042.0	1	KLEMPPLATTE	PLAQUE DE SERRAGE	CLAMPING PLATE		
3	00 918.06.045.0	1	BOLZEN	AXE	PIN		
4	00 918.06.025.0	2	SCHWINGARM	BRAS OSCILLANT	ROCKER ARM		
5	00 612.111	1	KLEMMBLOCK 106	ATTACHE	CLAMP		
6	00 918.06.046.0	2	BUEGEL	ETRIER	CROSSTIE		
7	00 103.919	4	SK-SCHR. M16X75 DIN 960 DACRO	VIS HEXAGONAL	SCREW, HEX.HD.		
8	00 122.110	5	SI-MUTTER M16 DIN 980-8 ZN	ECROU „STOVER“	NUT, LOCK		
9	00 103.383	1	SK-SCHR. M16X220 DIN 931 8.8ZN	VIS HEXAGONAL	SCREW, HEX.HD.		
10	00 103.933	1	SK-SCHR. M20X240DIN931DACRO10.	VIS A TET 6 PANS	SCREW, HEX.HD.		
11	00 122.112	1	SI-MUTTER M20 DIN 980 8	ECROU „STOVER“	NUT, LOCK		
12	00 923.01.323.0	2	BUCHSE	BAGUE	BUSH		
13	00 122.138	4	SI-MUTTER M16X1,5 DIN 980	ECROU „STOVER“	NUT, LOCK		

CLICK HERE TO **DOWNLOAD** THE COMPLETE MANUAL

- Thank you very much for reading the preview of the manual.
- You can download the complete manual from: www.heydownloads.com by clicking the link below



- Please note: If there is no response to CLICKING the link, please download this PDF first and then click on it.

CLICK HERE TO **DOWNLOAD** THE COMPLETE MANUAL