

Ⓓ **Ersatzteilliste**

Nr. 99 8413.DE.90E.0

Ⓕ Catalogue des Pièces Detachees

ⒼB Spare parts list

ROLLPROFI 3150
ROLLPROFI 3150 L

Version 02/2004

Rundballenpresse


Ihre / Your / Votre • Masch.Nr. • Fgst.Ident.Nr.

CLICK HERE TO **DOWNLOAD** THE COMPLETE MANUAL

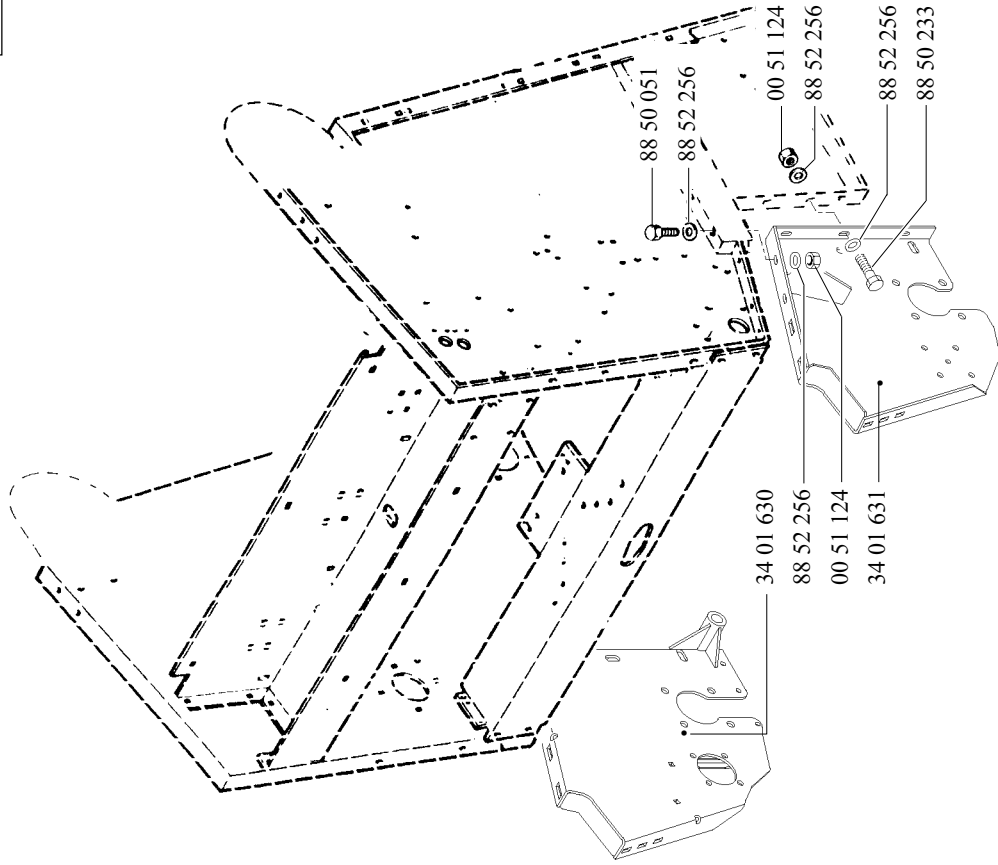
- Thank you very much for reading the preview of the manual.
- You can download the complete manual from: www.heydownloads.com by clicking the link below



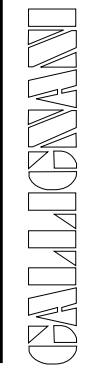
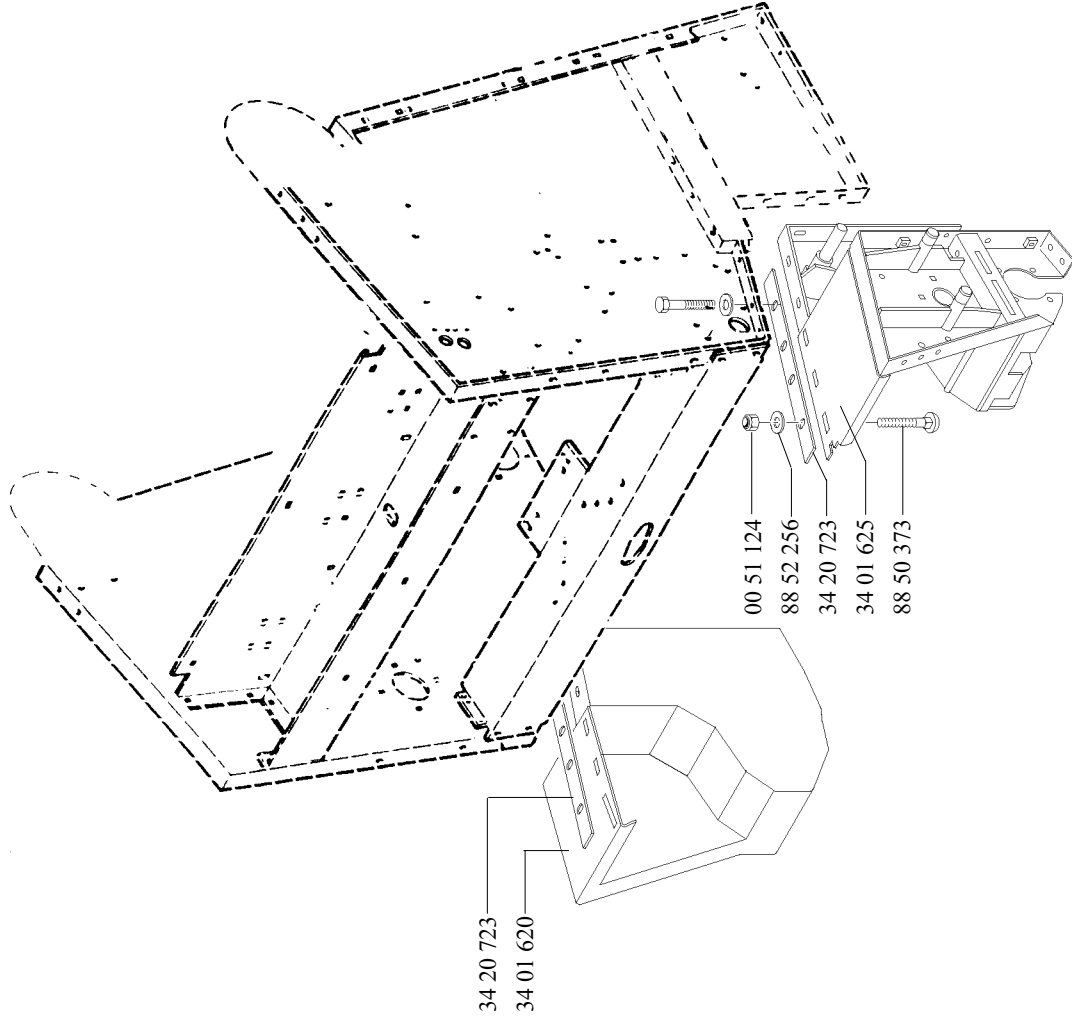
- Please note: If there is no response to CLICKING the link, please download this PDF first and then click on it.

CLICK HERE TO **DOWNLOAD** THE COMPLETE MANUAL

3150



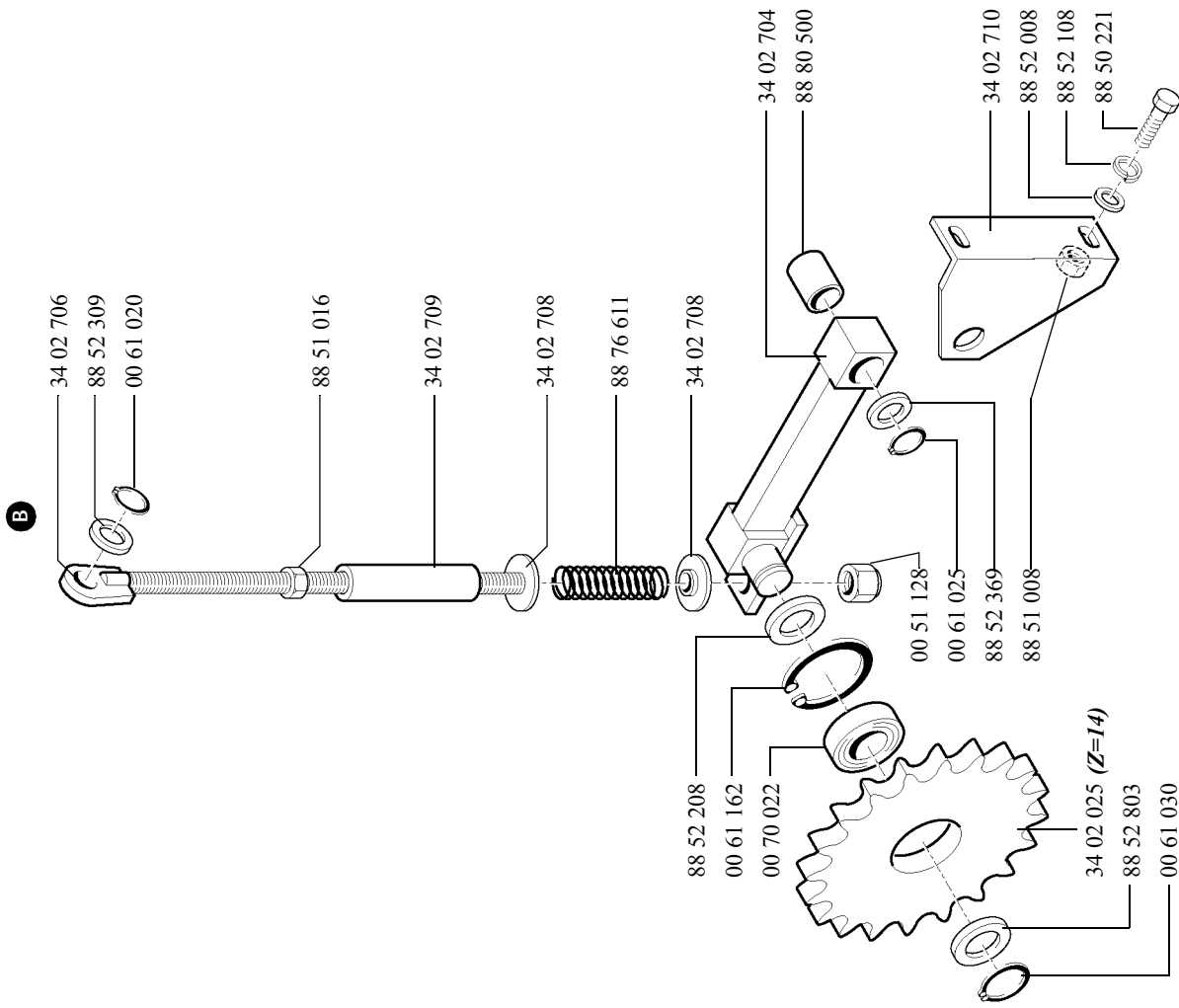
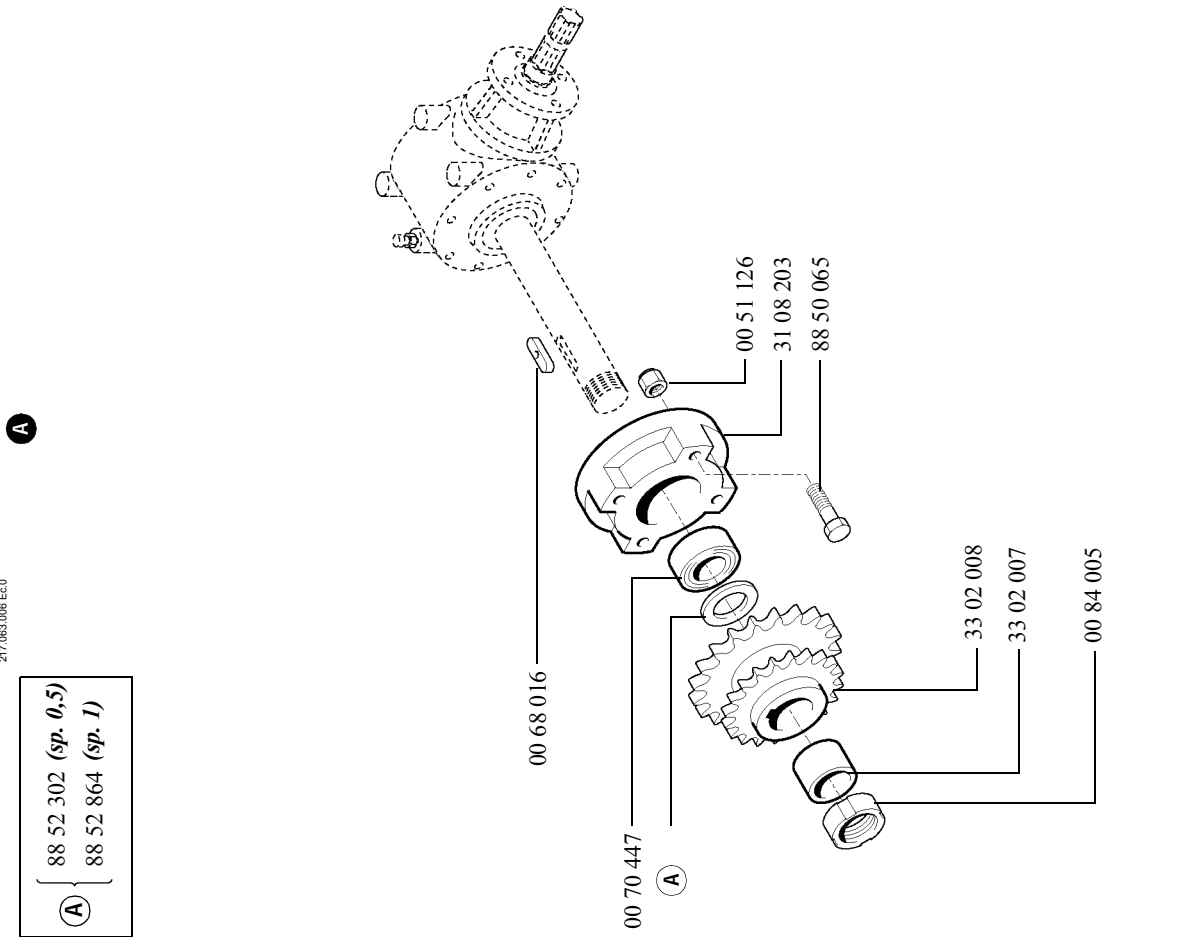
3150L



3150

FIANCATE RACCOGLITORE
COTES DE RAMASSEUR
PICK-UP SIDES

(A) { 88 52 302 (sp. 0,5)
88 52 864 (sp. 1)

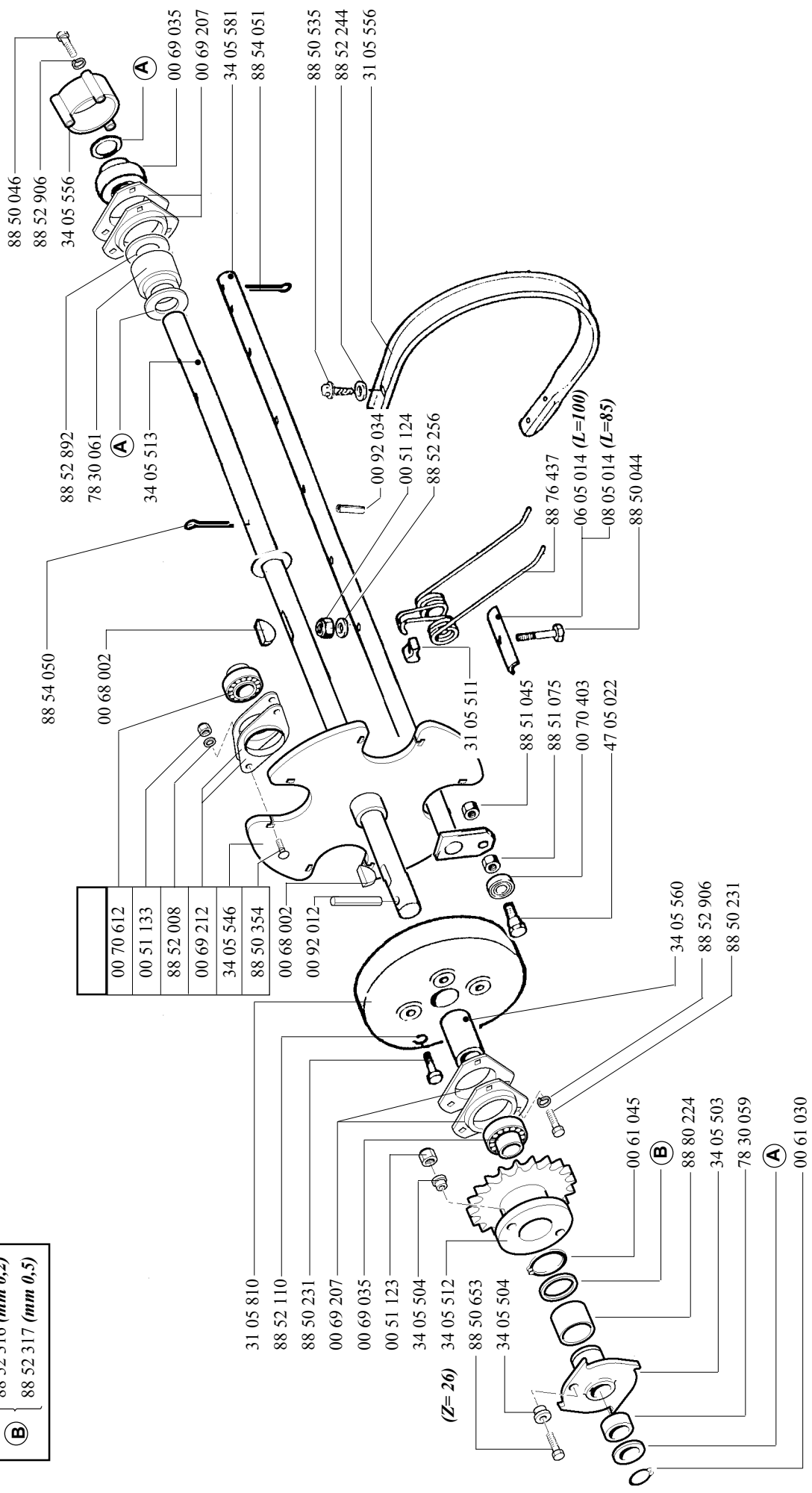
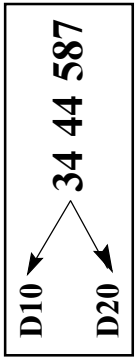


TRAMMISSIONE PARTE FISSA
TRANSMISSION PARTIE FIXE
TRANSMISSION FIXED PART

3150

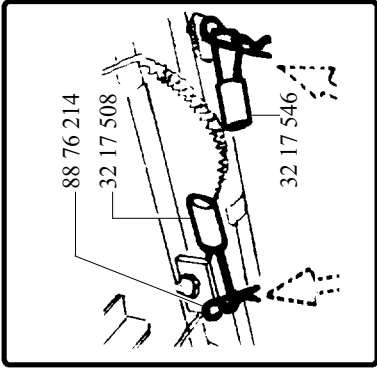
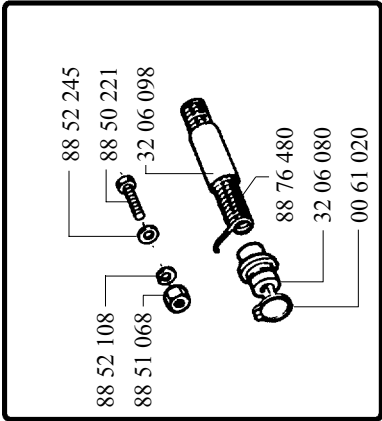
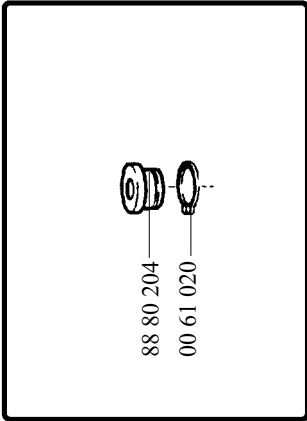
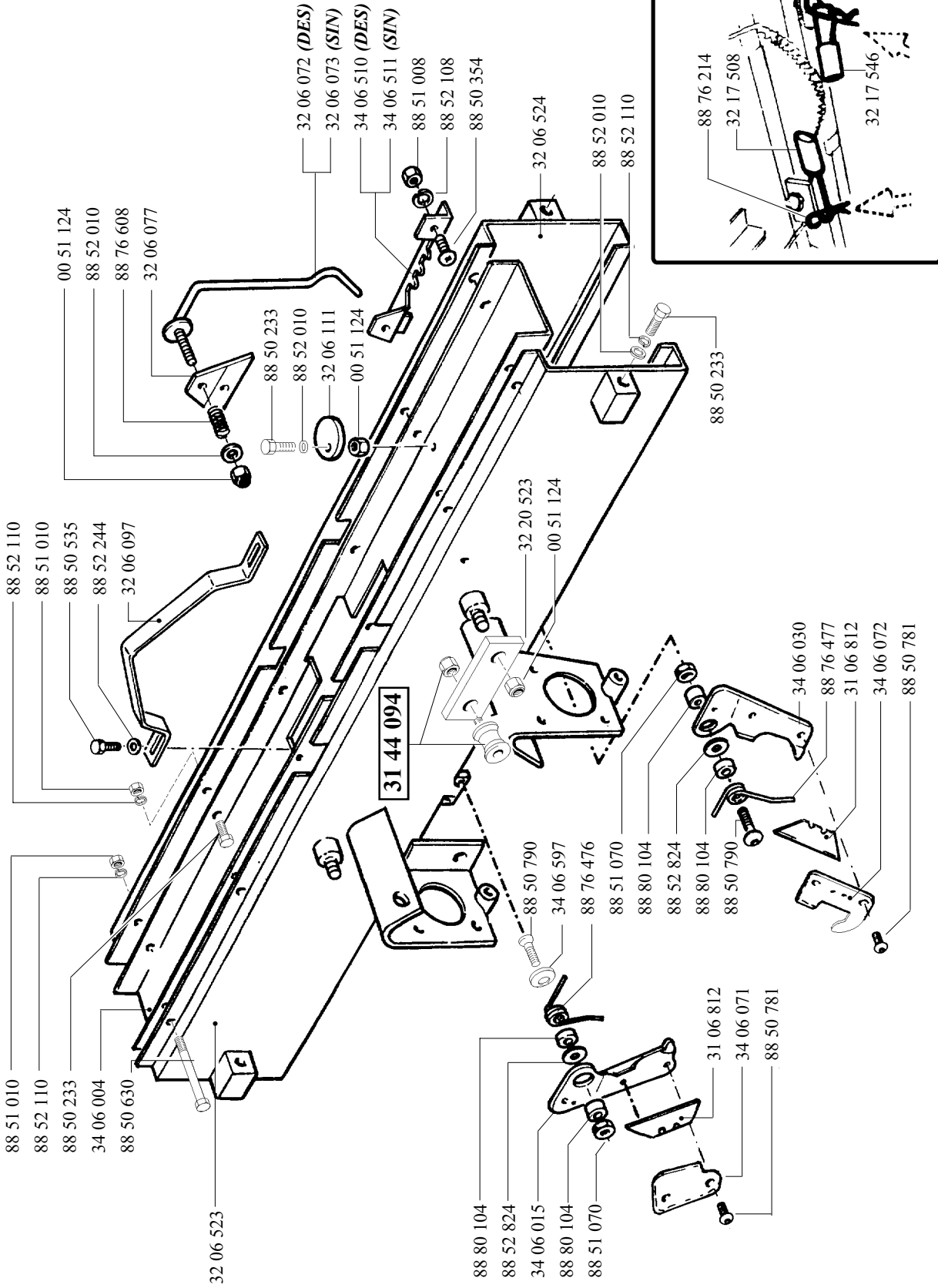
B 20
1
01-02-04

(A)	88 52 374 (mm 0,5)
	88 52 205 (mm 1)
	88 52 208 (mm 2)
(B)	88 52 316 (mm 0,2)
	88 52 317 (mm 0,5)



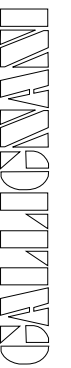
ASPO RACCOLITORE NORMALE
 ENROULEUSE RAMASSEUR NORMAL
 NORMAL PICK-UP REEL

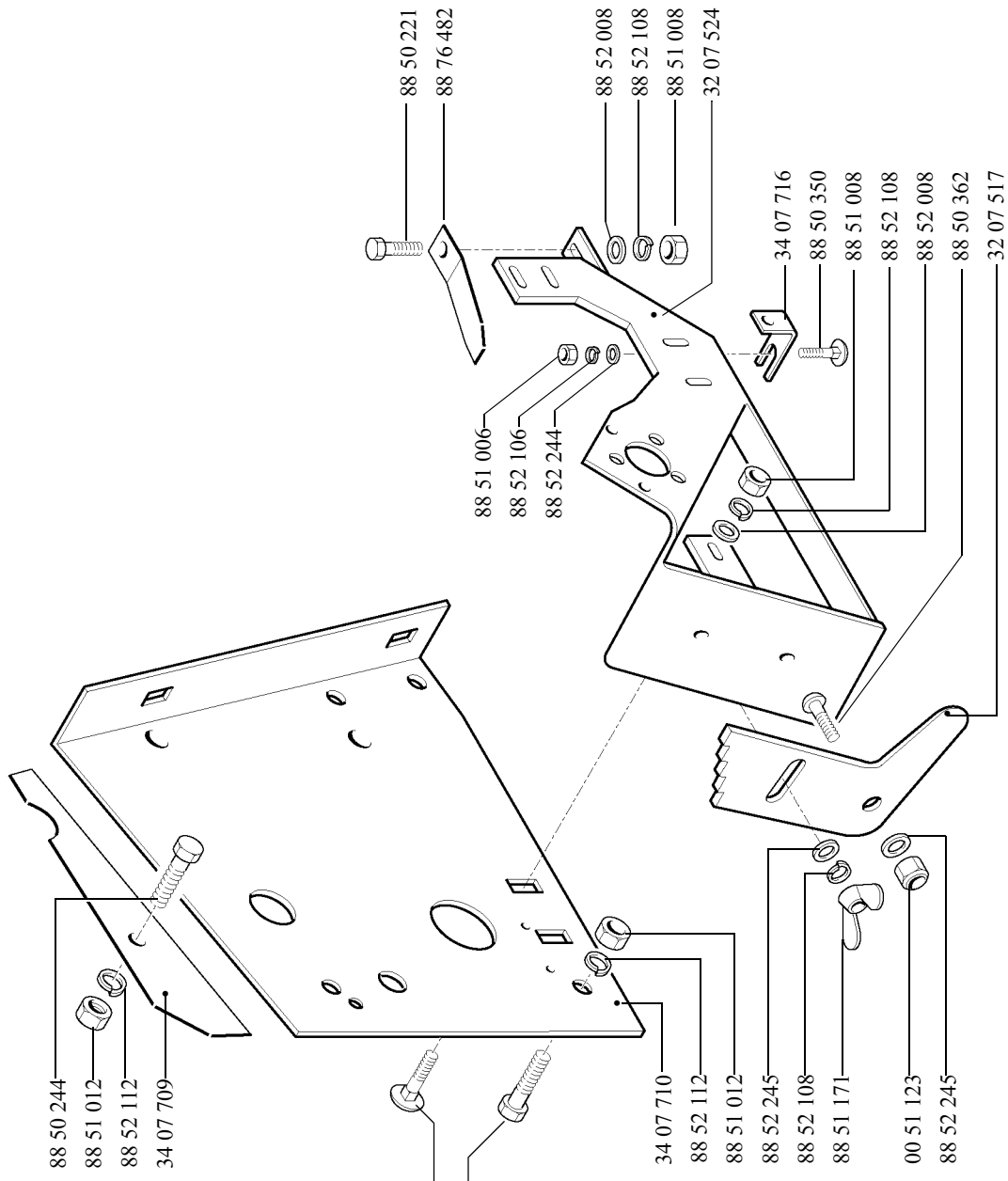
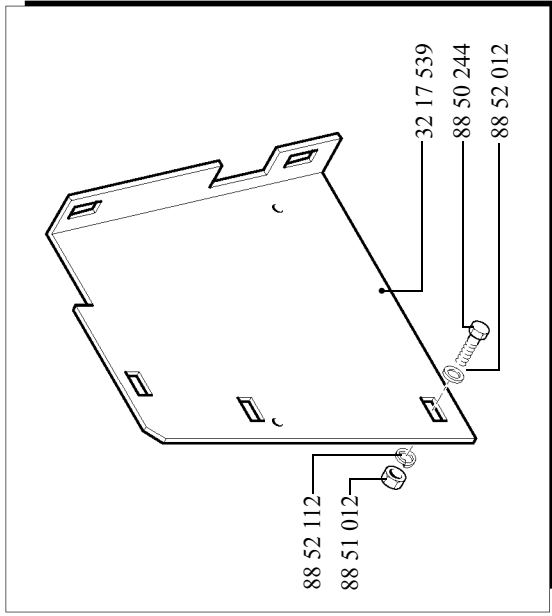
3150



LEGATORE A 2 FILI
LIEUR A 2 FICELLES
2/TWINE TYING UNIT

3150





88 50 244
88 51 012
88 52 112
34 07 709

88 52 112
88 51 012

32 17 539
88 50 244
88 52 012

88 50 354
88 50 244

88 51 006
88 52 106
88 52 244
88 52 008
88 52 108
88 51 008
32 07 524

34 07 710
88 52 112
88 51 012
88 52 245
88 52 108
88 51 171
00 51 123
88 52 245
34 07 716
88 50 350
88 51 008
88 52 108
88 52 008
88 50 362
32 07 517



3150 R

PROTEZIONI LEGATORE A RETE
PROTECTIONS DE LIEUR A FILET
NET TYING UNIT GUARD

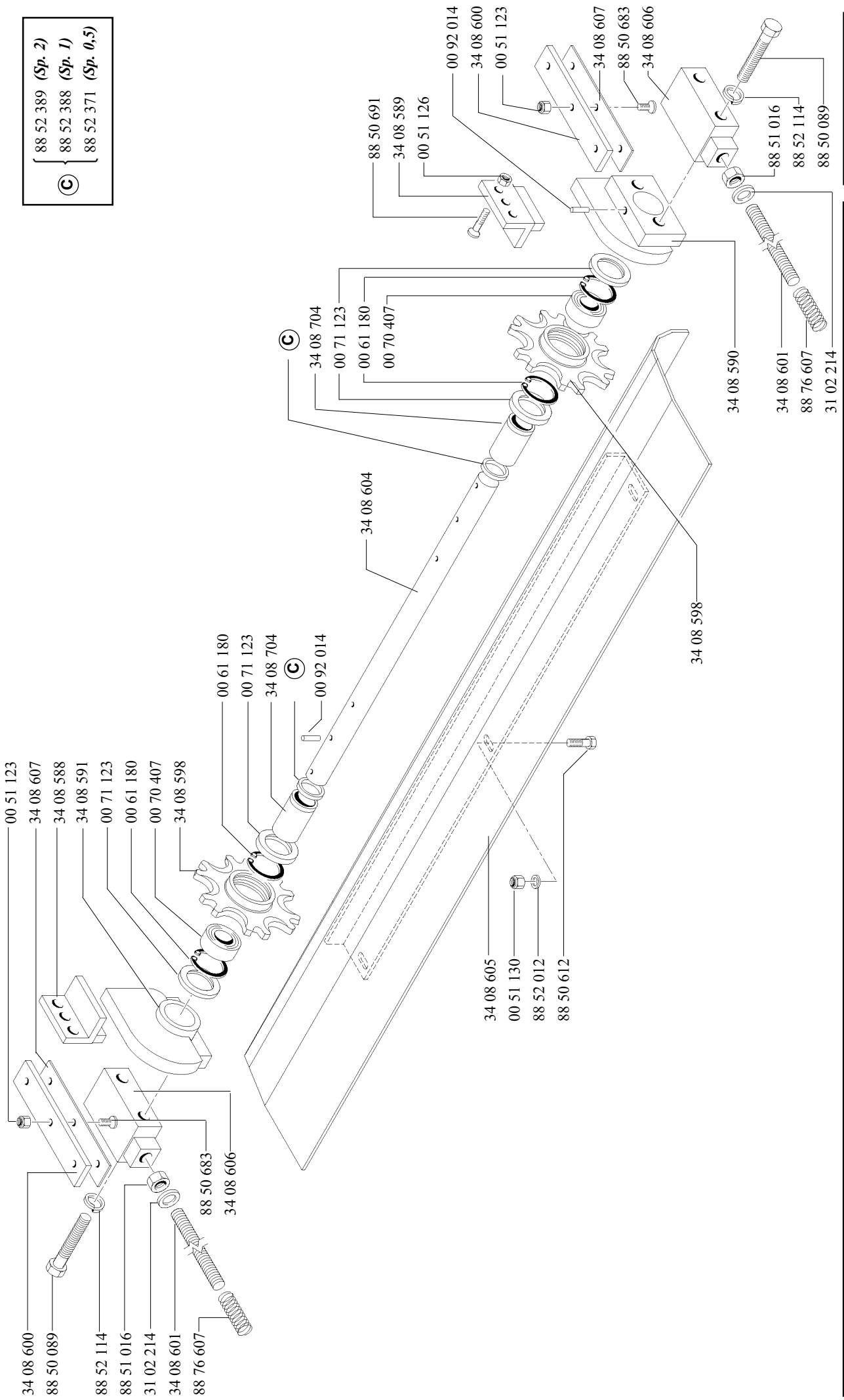
CLICK HERE TO **DOWNLOAD** THE COMPLETE MANUAL

- Thank you very much for reading the preview of the manual.
- You can download the complete manual from: www.heydownloads.com by clicking the link below



- Please note: If there is no response to CLICKING the link, please download this PDF first and then click on it.

CLICK HERE TO **DOWNLOAD** THE COMPLETE MANUAL



- 34 08 600
- 88 50 089
- 88 52 114
- 88 51 016
- 31 02 214
- 34 08 601
- 88 76 607
- 00 51 123
- 34 08 607
- 34 08 588
- 34 08 591
- 00 71 123
- 00 61 180
- 00 70 407
- 34 08 598

- 00 61 180
- 00 71 123
- 34 08 704
- 00 92 014

- 34 08 704
- 00 71 123
- 00 61 180
- 00 70 407

- 34 08 605
- 00 51 130
- 88 52 012
- 88 50 612

- 88 50 691
- 34 08 589
- 00 51 126
- 00 92 014
- 34 08 600
- 00 51 123
- 34 08 607
- 88 50 683
- 34 08 606
- 88 51 016
- 88 52 114
- 88 50 089

- 34 08 590
- 34 08 601
- 88 76 607
- 31 02 214

©
 { 88 52 389 (Sp. 2)
 88 52 388 (Sp. 1)
 88 52 371 (Sp. 0,5) }

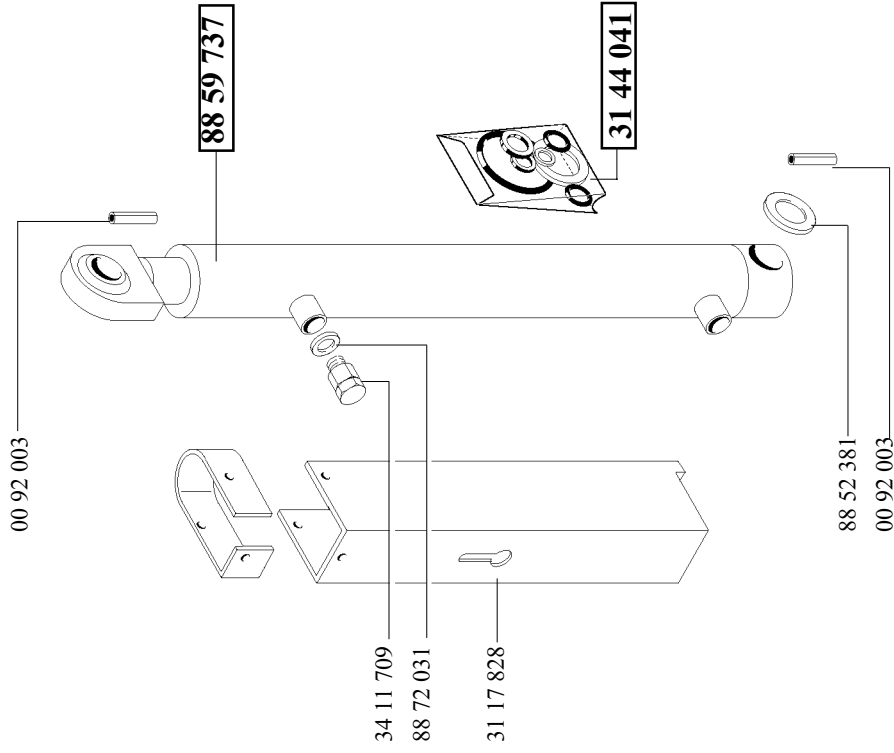


TAPETO D'ALIMENTAZIONE
 TAPIS D'ALIMENTATION
 FEED CARPET

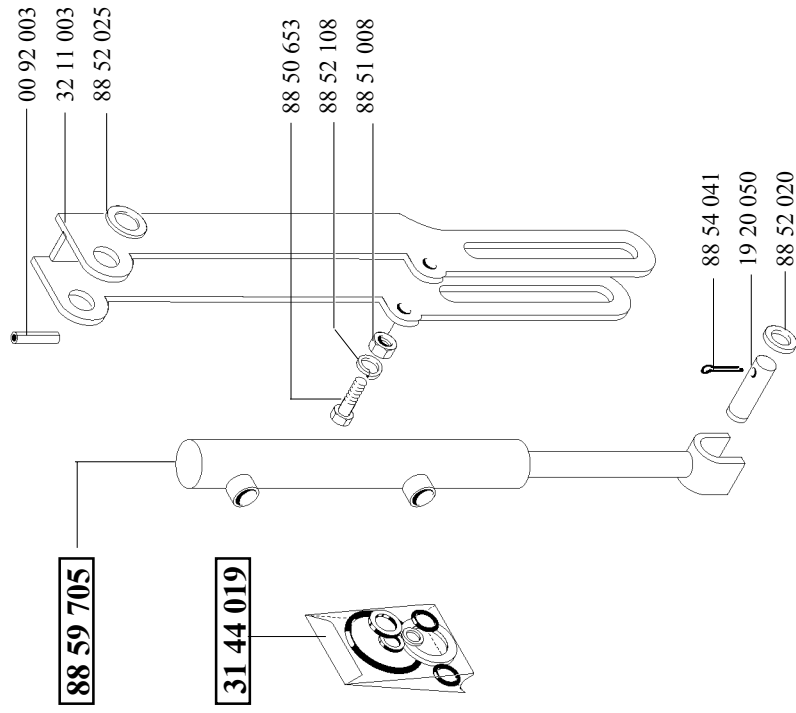
3150

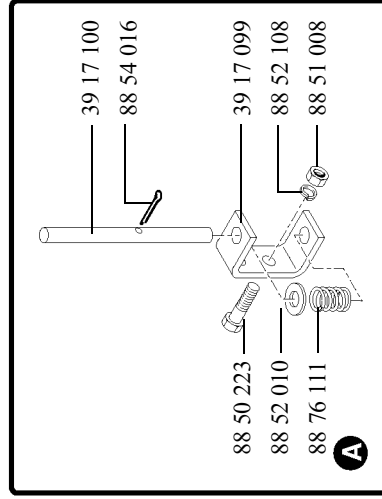
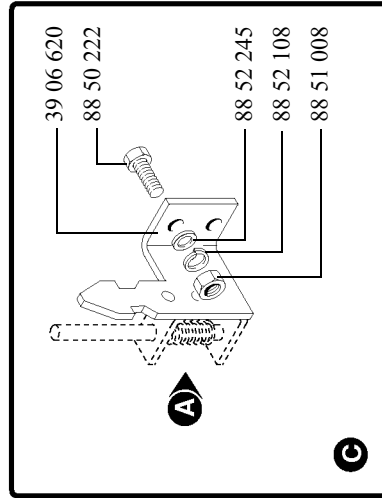
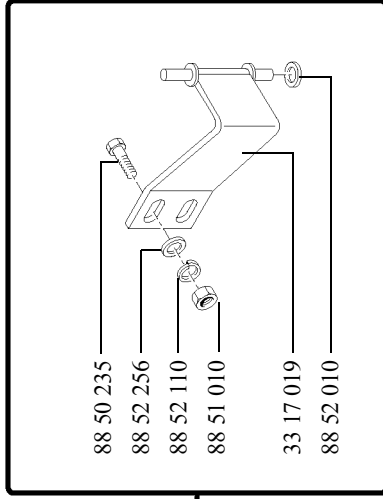
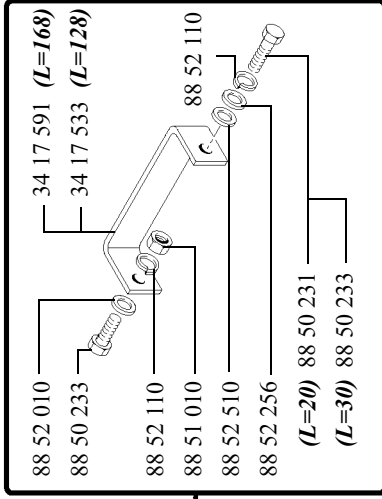
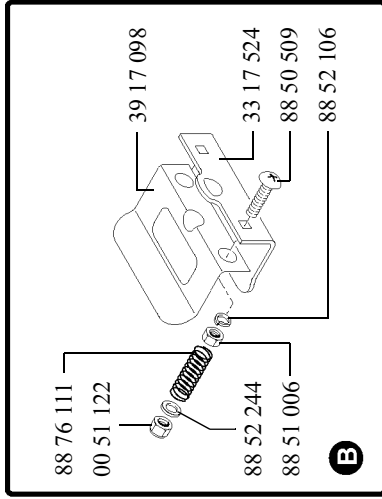
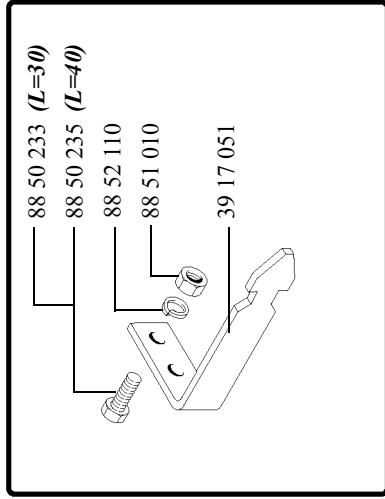
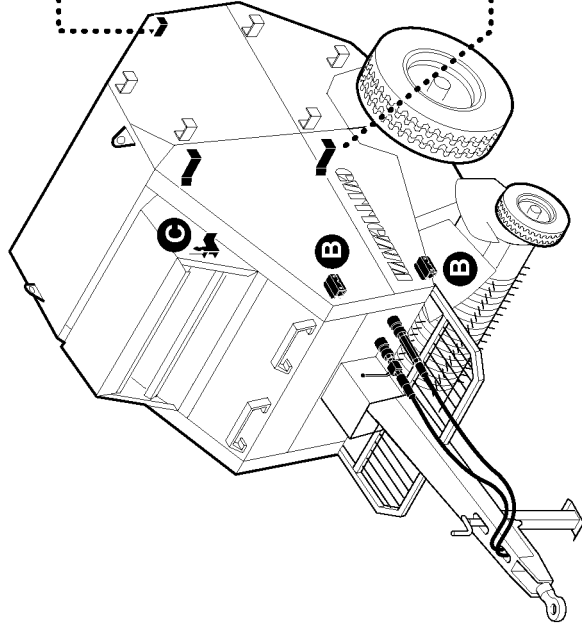
1
 01-02-04
G 21

1



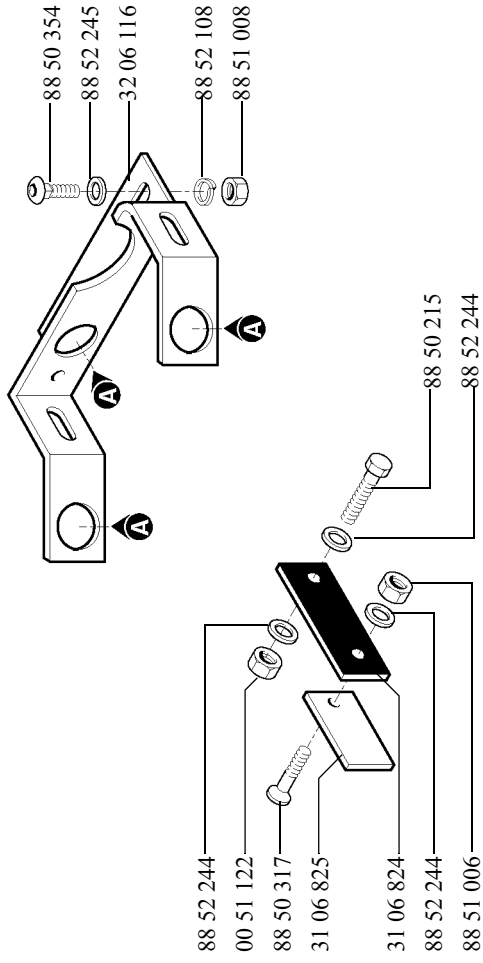
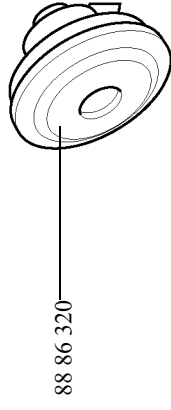
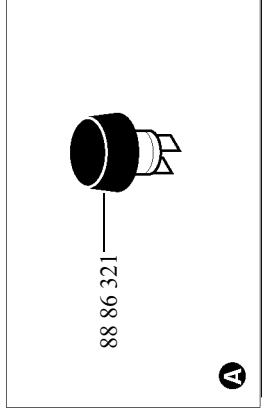
2



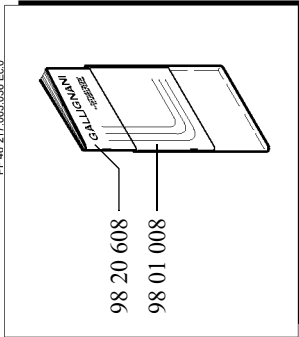


3150

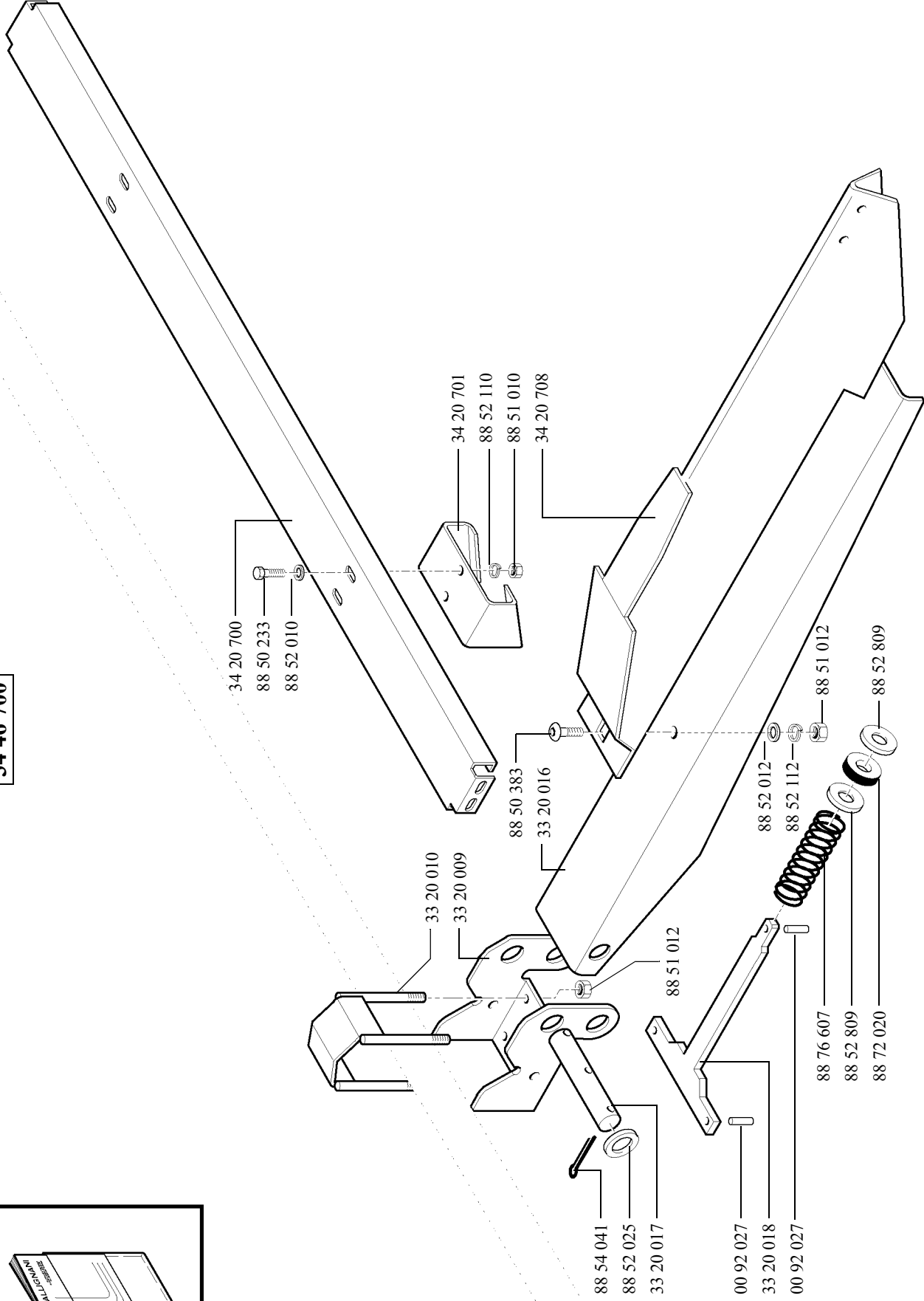
BLOCCAGGIE CERNIERE PROTEZIONI SINISTRE
 BLOCAGE ET CERNIERES POUR PROTECTIONS GAUCHES
 LOCKING AND HINGES FOR LEFT GUARDS



PF.46.217.083.038.EC.0



34 46 700



3150

ALLONTANATORE BALLE
EJECTEURS BALLE
BALE KICKER

1
01-02-04

S 40



INDICE NUMERICO E DESCRIZIONI • INDEX NUMERIQUE ET DESCRIPTION • NUMERICAL INDEX AND DESCRIPTIONS

Codice Code	Tav. Tab.	Descrizione • Description	Codice Code	Tav. Tab.	Descrizione • Description	Codice Code	Tav. Tab.	Descrizione • Description
39 17 051	N21/0	Fermo • Arrêt • Retainer	88 50 063	G10/0	Vite • Vis • Screw	88 50 221	E20/0	Vite • Vis • Screw
39 17 098	N21/0	Staffa • Bride • Bracket	88 50 063	B70/0	Vite • Vis • Screw	88 50 221	N30/0	Vite • Vis • Screw
39 17 098	N20/0	Staffa • Bride • Bracket	88 50 063	G15/0	Vite • Vis • Screw	88 50 221	E30/0	Vite • Vis • Screw
39 17 099	N20/0	Staffa • Bride • Bracket	88 50 063	G12/0	Vite • Vis • Screw	88 50 222	E50/0	Vite • Vis • Screw
39 17 099	N21/0	Staffa • Bride • Bracket	88 50 063	B40/0	Vite • Vis • Screw	88 50 222	N20/0	Vite • Vis • Screw
39 17 100	N21/0	Perno • Pivot • Pin	88 50 063	G14/0	Vite • Vis • Screw	88 50 222	N21/0	Vite • Vis • Screw
39 17 100	N20/0	Perno • Pivot • Pin	88 50 065	B20/0	Vite • Vis • Screw	88 50 222	E40/0	Vite • Vis • Screw
39 21 008	P60/0	Fanale • Feu • Light	88 50 065	G12/0	Vite • Vis • Screw	88 50 223	N51/0	Vite • Vis • Screw
39 21 018	P60/0	Supporto • Support • Support	88 50 068	D40/0	Vite • Vis • Screw	88 50 223	N21/0	Vite • Vis • Screw
39 44 113	A40/0	Mozzo • Moyeu • Hub	88 50 069	G60/0	Vite • Vis • Screw	88 50 223	N60/0	Vite • Vis • Screw
40 14 199	P40/0	Distanziale • Entretoise • Spacer	88 50 085	B40/0	Vite • Vis • Screw	88 50 223	S60/0	Vite • Vis • Screw
40 14 199	E50/0	Distanziale • Entretoise • Spacer	88 50 089	G21/0	Vite • Vis • Screw	88 50 223	N40/0	Vite • Vis • Screw
43 02 013	S10/0	Distanziale • Entretoise • Spacer	88 50 089	G60/0	Vite • Vis • Screw	88 50 223	F10/0	Vite • Vis • Screw
43 02 013	D50/0	Distanziale • Entretoise • Spacer	88 50 092	R10/0	Vite • Vis • Screw	88 50 223	N20/0	Vite • Vis • Screw
43 02 013	G40/0	Distanziale • Entretoise • Spacer	88 50 115	A30/0	Vite • Vis • Screw	88 50 223	E50/0	Vite • Vis • Screw
43 02 013	D51/0	Distanziale • Entretoise • Spacer	88 50 198	A10/0	Vite • Vis • Screw	88 50 223	E10/0	Vite • Vis • Screw
43 02 013	D52/0	Distanziale • Entretoise • Spacer	88 50 202	P20/0	Vite • Vis • Screw	88 50 223	N50/0	Vite • Vis • Screw
45 08 117	F40/0	Boccola • Douille • Bushing	88 50 202	P40/0	Vite • Vis • Screw	88 50 223	N30/0	Vite • Vis • Screw
47 05 022	D20/0	Perno • Pivot • Pin	88 50 213	F30/0	Vite • Vis • Screw	88 50 223	E20/0	Vite • Vis • Screw
47 05 022	D21/0	Perno • Pivot • Pin	88 50 213	F20/0	Vite • Vis • Screw	88 50 223	G30/0	Vite • Vis • Screw
53 06 048	E60/0	Appoggio • Appui • Support	88 50 215	A11/0	Vite • Vis • Screw	88 50 223	A20/0	Vite • Vis • Screw
78 30 059	D21/0	Distanziale • Entretoise • Spacer	88 50 215	F30/0	Vite • Vis • Screw	88 50 231	D20/0	Vite • Vis • Screw
78 30 059	D20/0	Distanziale • Entretoise • Spacer	88 50 215	P20/0	Vite • Vis • Screw	88 50 231	D21/0	Vite • Vis • Screw
78 30 061	D21/0	Distanziale • Entretoise • Spacer	88 50 215	P50/0	Vite • Vis • Screw	88 50 231	N20/0	Vite • Vis • Screw
78 30 061	D20/0	Distanziale • Entretoise • Spacer	88 50 215	P40/0	Vite • Vis • Screw	88 50 231	G50/0	Vite • Vis • Screw
88 50 012	G80/0	Vite • Vis • Screw	88 50 215	E50/0	Vite • Vis • Screw	88 50 231	N21/0	Vite • Vis • Screw
88 50 017	M10/0	Vite • Vis • Screw	88 50 215	E41/0	Vite • Vis • Screw	88 50 231	N60/0	Vite • Vis • Screw
88 50 023	R10/0	Vite • Vis • Screw	88 50 216	F20/0	Vite • Vis • Screw	88 50 231	A13/0	Vite • Vis • Screw
88 50 023	F10/0	Vite • Vis • Screw	88 50 218	A31/0	Vite • Vis • Screw	88 50 232	M10/0	Vite • Vis • Screw
88 50 023	D21/0	Vite • Vis • Screw	88 50 218	G30/0	Vite • Vis • Screw	88 50 232	M11/0	Vite • Vis • Screw
88 50 024	E50/0	Vite • Vis • Screw	88 50 219	P40/0	Vite • Vis • Screw	88 50 232	S50/0	Vite • Vis • Screw
88 50 024	G11/0	Vite • Vis • Screw	88 50 219	E50/0	Vite • Vis • Screw	88 50 232	P60/0	Vite • Vis • Screw
88 50 024	G10/0	Vite • Vis • Screw	88 50 219	S60/0	Vite • Vis • Screw	88 50 232	G80/0	Vite • Vis • Screw
88 50 025	A13/0	Vite • Vis • Screw	88 50 219	M22/0	Vite • Vis • Screw	88 50 232	N40/0	Vite • Vis • Screw
88 50 025	L10/0	Vite • Vis • Screw	88 50 219	M21/0	Vite • Vis • Screw	88 50 232	C10/0	Vite • Vis • Screw
88 50 027	H10/0	Vite • Vis • Screw	88 50 219	M11/0	Vite • Vis • Screw	88 50 233	N20/0	Vite • Vis • Screw
88 50 027	R10/0	Vite • Vis • Screw	88 50 219	M23/0	Vite • Vis • Screw	88 50 233	M10/0	Vite • Vis • Screw
88 50 042	A50/0	Vite • Vis • Screw	88 50 220	F60/0	Vite • Vis • Screw	88 50 233	G12/0	Vite • Vis • Screw
88 50 044	D21/0	Vite • Vis • Screw	88 50 221	N50/0	Vite • Vis • Screw	88 50 233	E51/0	Vite • Vis • Screw
88 50 044	D20/0	Vite • Vis • Screw	88 50 221	F10/0	Vite • Vis • Screw	88 50 233	B60/0	Vite • Vis • Screw
88 50 046	A20/0	Vite • Vis • Screw	88 50 221	E60/0	Vite • Vis • Screw	88 50 233	E30/0	Vite • Vis • Screw
88 50 046	D20/0	Vite • Vis • Screw	88 50 221	A11/0	Vite • Vis • Screw	88 50 233	A50/0	Vite • Vis • Screw
88 50 048	B50/0	Vite • Vis • Screw	88 50 221	B20/0	Vite • Vis • Screw	88 50 233	N40/0	Vite • Vis • Screw
88 50 049	E50/0	Vite • Vis • Screw	88 50 221	F50/0	Vite • Vis • Screw	88 50 233	F30/0	Vite • Vis • Screw
88 50 050	E40/0	Vite • Vis • Screw	88 50 221	E50/0	Vite • Vis • Screw	88 50 233	N51/0	Vite • Vis • Screw
88 50 051	A12/0	Vite • Vis • Screw	88 50 221	D31/0	Vite • Vis • Screw	88 50 233	D10/0	Vite • Vis • Screw
88 50 052	B80/0	Vite • Vis • Screw	88 50 221	P60/0	Vite • Vis • Screw	88 50 233	A51/0	Vite • Vis • Screw
88 50 063	G11/0	Vite • Vis • Screw	88 50 221	D10/0	Vite • Vis • Screw	88 50 233	D31/0	Vite • Vis • Screw
88 50 063	G13/0	Vite • Vis • Screw	88 50 221	D11/0	Vite • Vis • Screw	88 50 233	G14/0	Vite • Vis • Screw

CLICK HERE TO **DOWNLOAD** THE COMPLETE MANUAL

- Thank you very much for reading the preview of the manual.
- You can download the complete manual from: www.heydownloads.com by clicking the link below



- Please note: If there is no response to CLICKING the link, please download this PDF first and then click on it.

CLICK HERE TO **DOWNLOAD** THE COMPLETE MANUAL