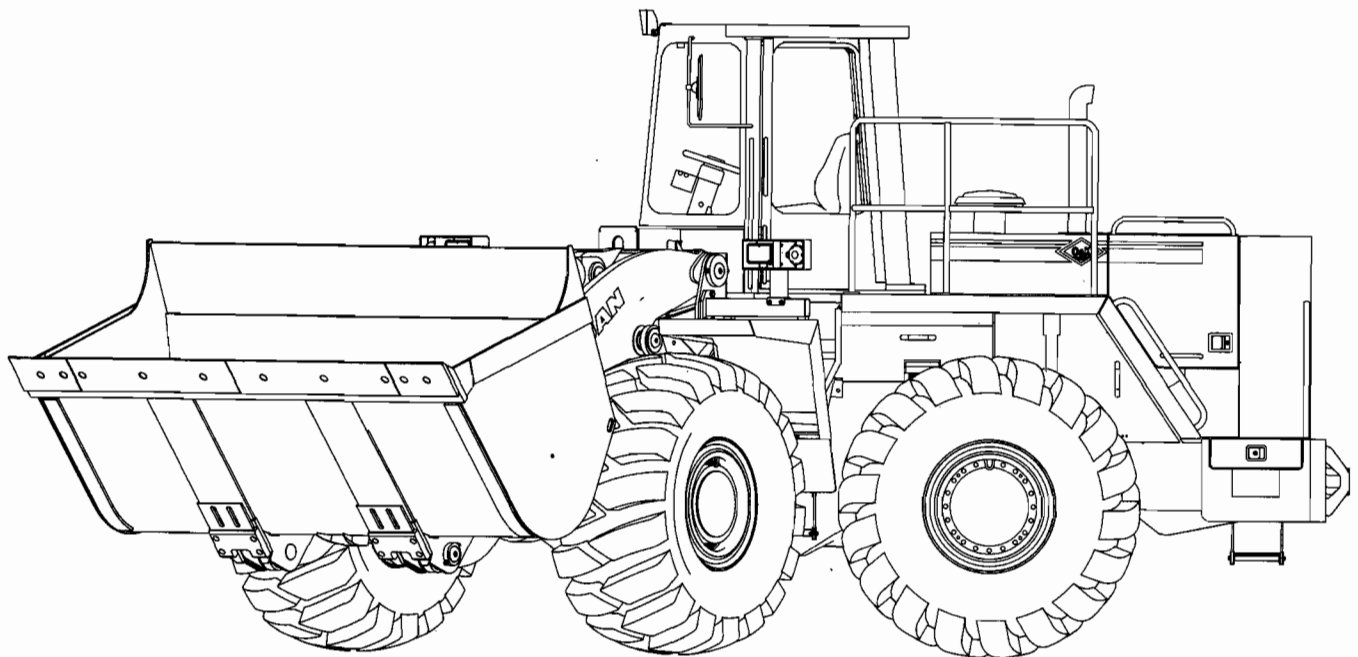


**O&K**<sup>®</sup>

**MODEL 7500  
MANUAL TB130  
MANUAL PART NO. 4617305  
S/N T18-7501 & Higher**

# **PARTS MANUAL**



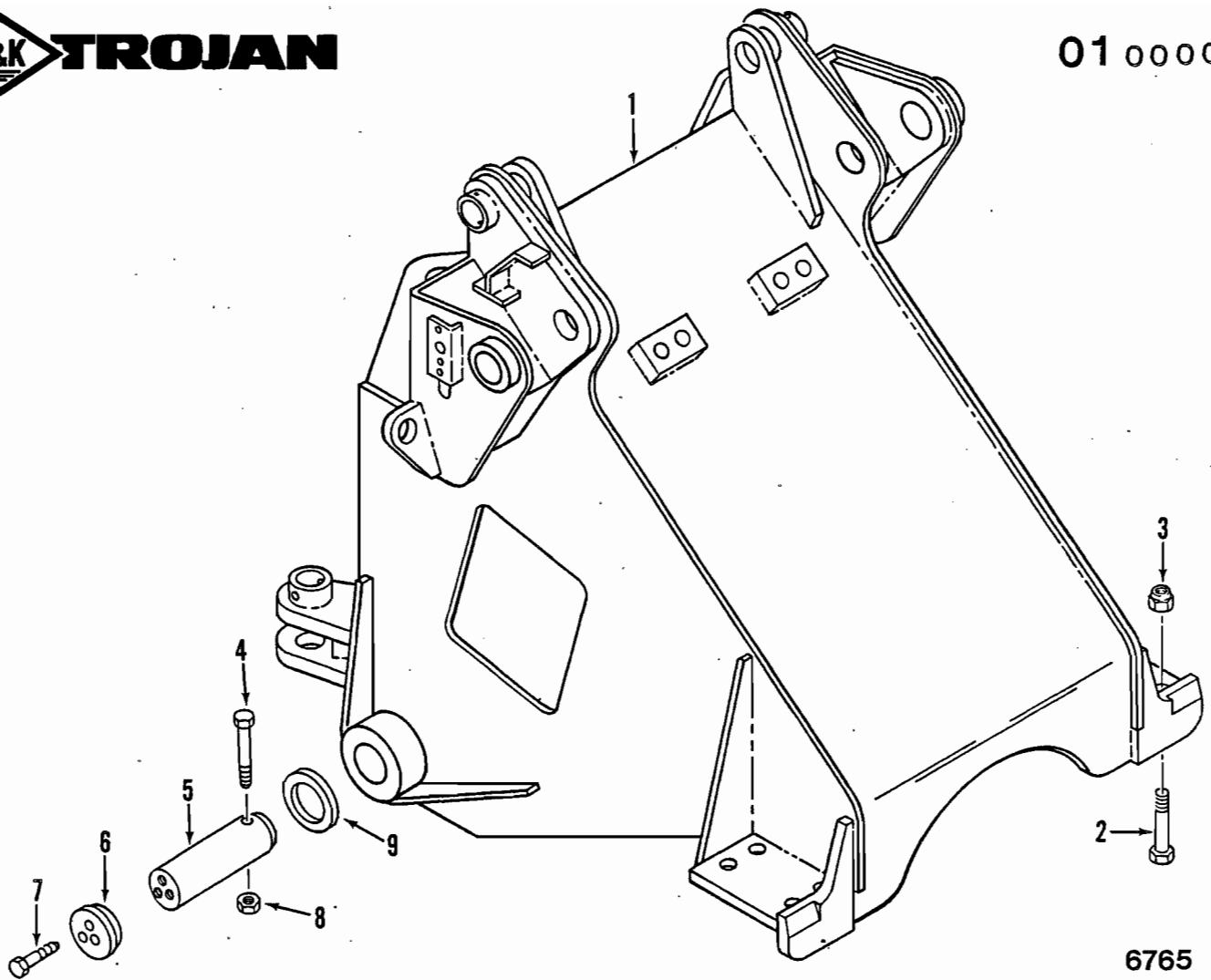
CLICK HERE TO **DOWNLOAD** THE COMPLETE MANUAL

- Thank you very much for reading the preview of the manual.
- You can download the complete manual from: [www.heydownloads.com](http://www.heydownloads.com) by clicking the link below



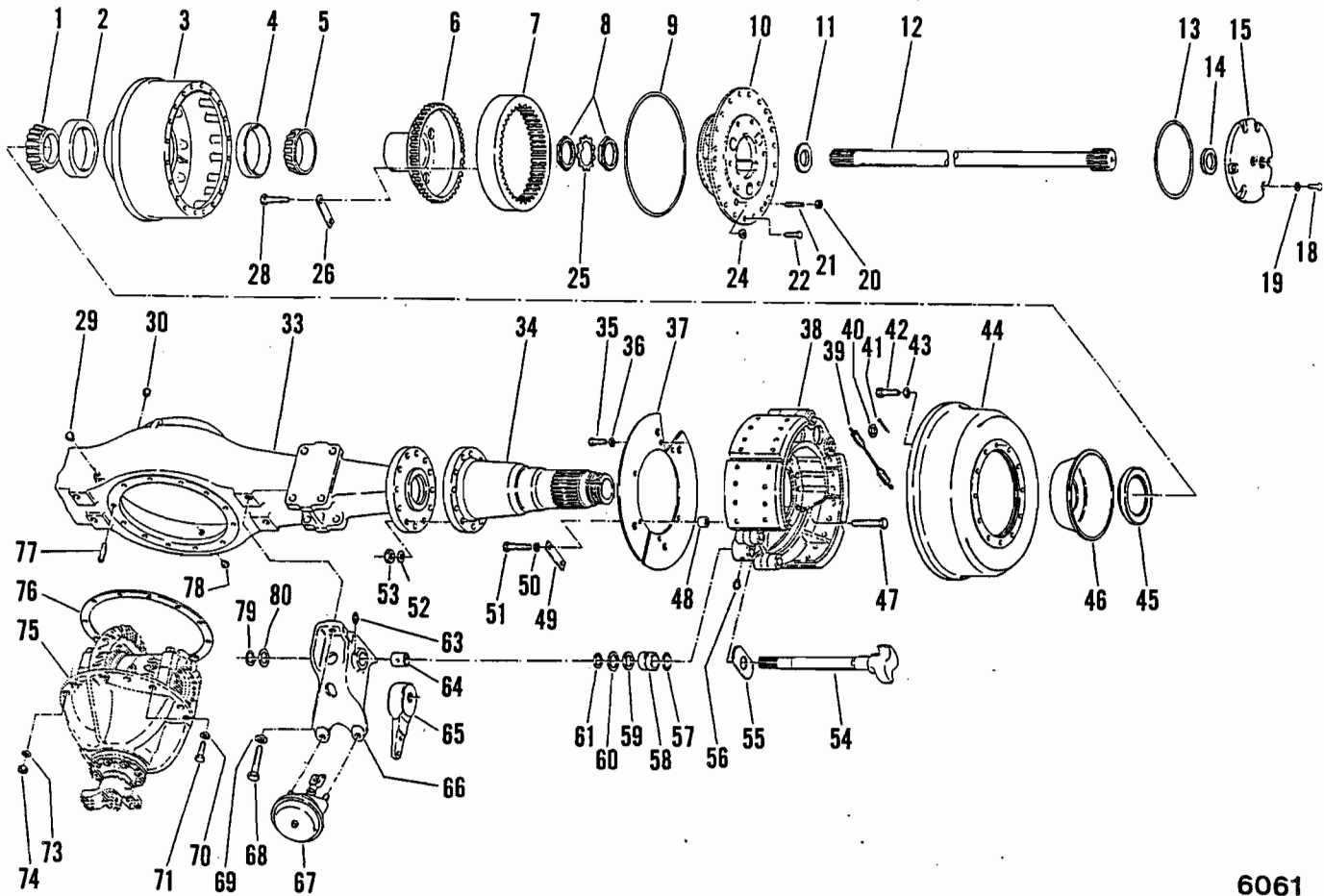
- Please note: If there is no response to CLICKING the link, please download this PDF first and then click on it.

CLICK HERE TO **DOWNLOAD** THE COMPLETE MANUAL



6765

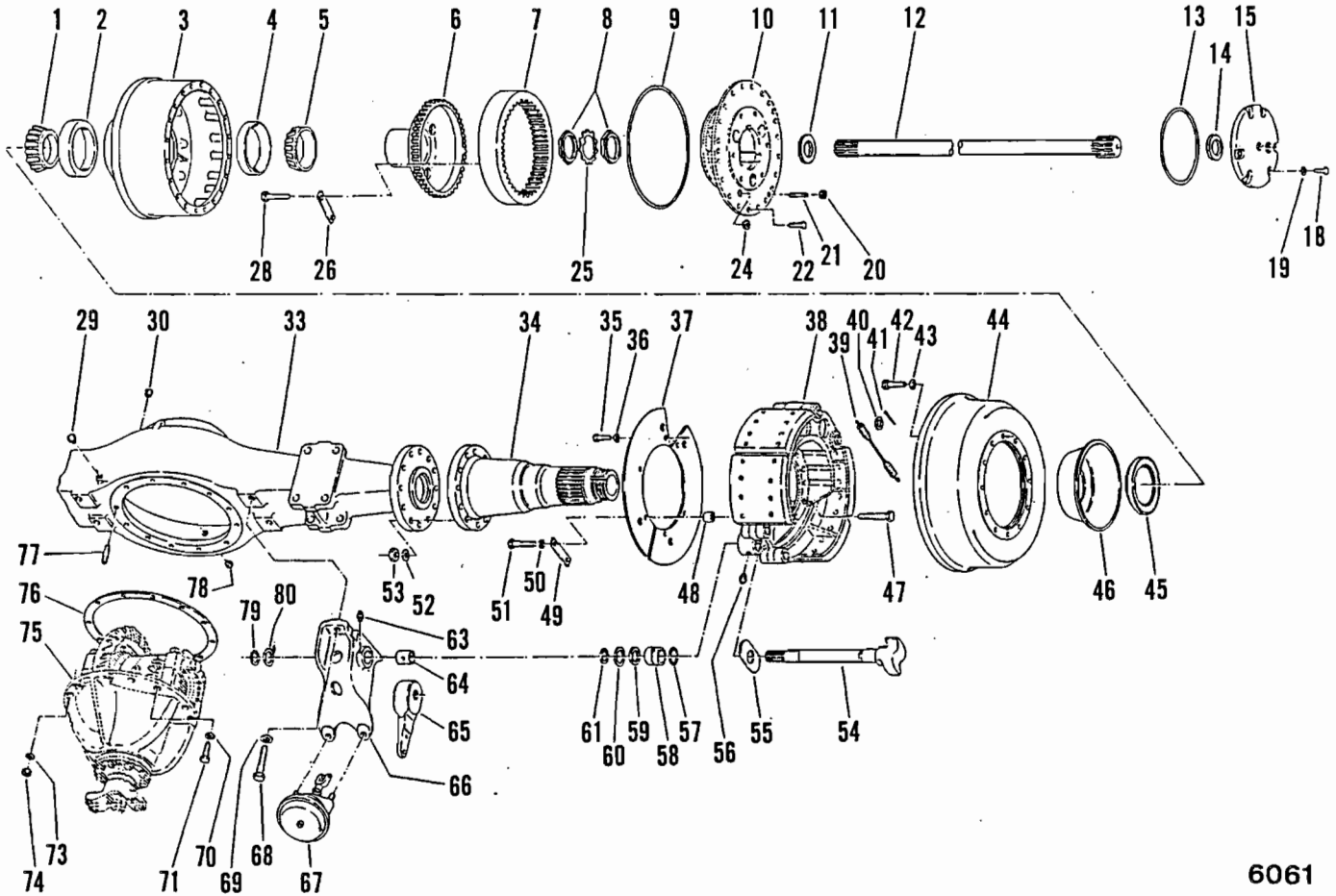
FRONT FRAME ASSEMBLY			
Item	Qty.	Part No	Description
1	1	2116758	Front Frame Assembly
2	8	2032551	Bolt (1 1/2-21x11)
3	8	2075186	Nut (1 1/2-12)
4	2	2080946	Bolt (1-9x10)
5	2	2099226	Pin
6	2	4602255	Plate, Capture
7	6	2031562	Bolt (5/8-11x2 1/4)
8	2	2031624	Nut (1-8)
9	4	0040408	Seal



6061

FRONT AXLE ASSEMBLY

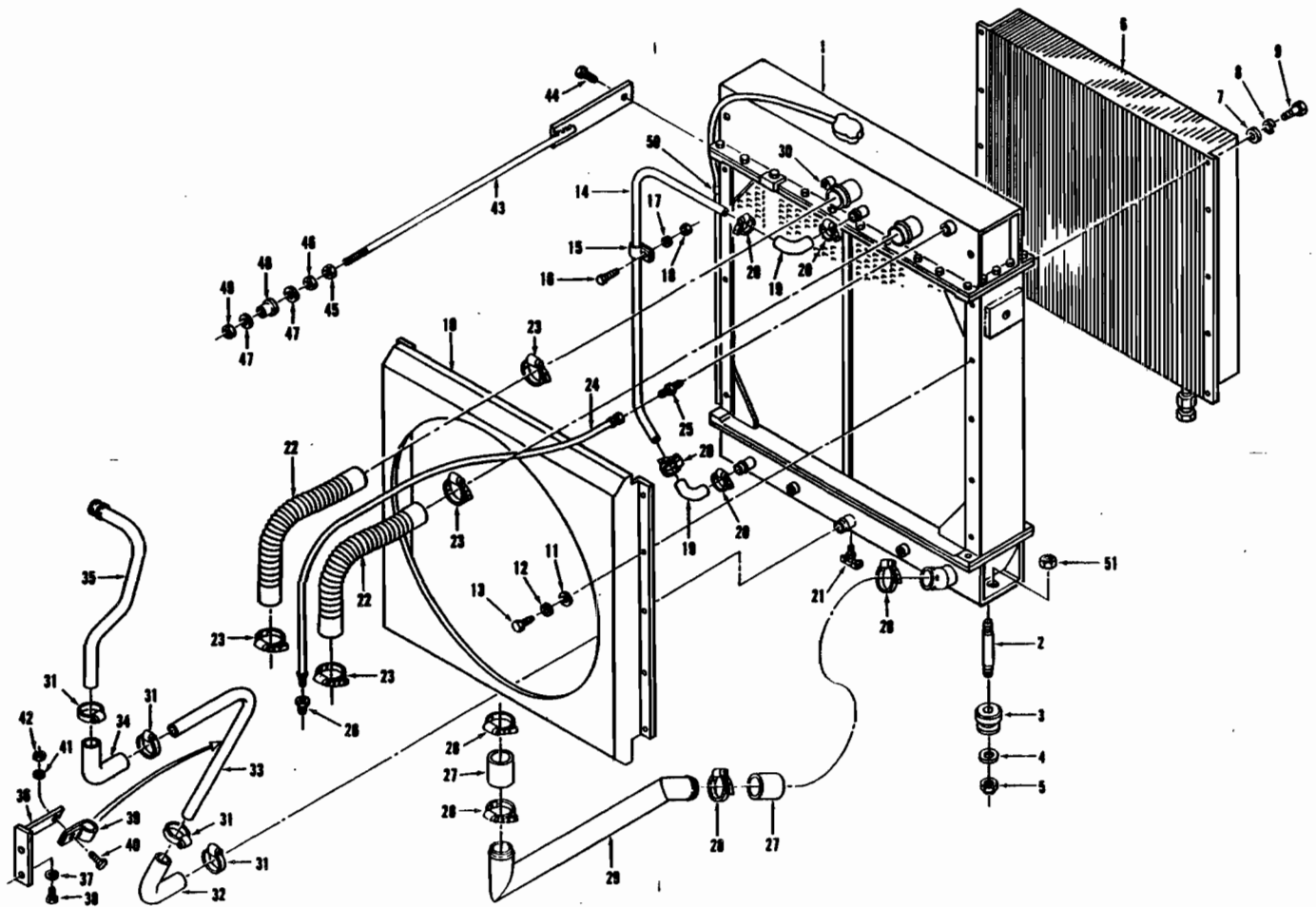
Item	Qty.	Part No	Description
68	4	2031578	Bolt
69	4	2031396	Lockwasher
70	4	2031395	Lockwasher
71	4	6600606	Screw
73	22	6600596	Washer
74	22	6600828	Nut
75	-	REF	Differential Assembly (See Group 033101)
76	1	6601140	Ring, Seal
77	18	6601371	Stud
77A	4	6601370	Stud
78	1	6600600	Plug, Drain
79	2	6600609	Ring, Snap
80	2	6600608	Washer, Retaining
81	2	6601353	Shield, Slack Adjuster (NI)
81A	8	6601090	Capscrew (NI)
81B	9	2031391	Lockwasher (NI)



6061

REAR AXLE ASSEMBLY

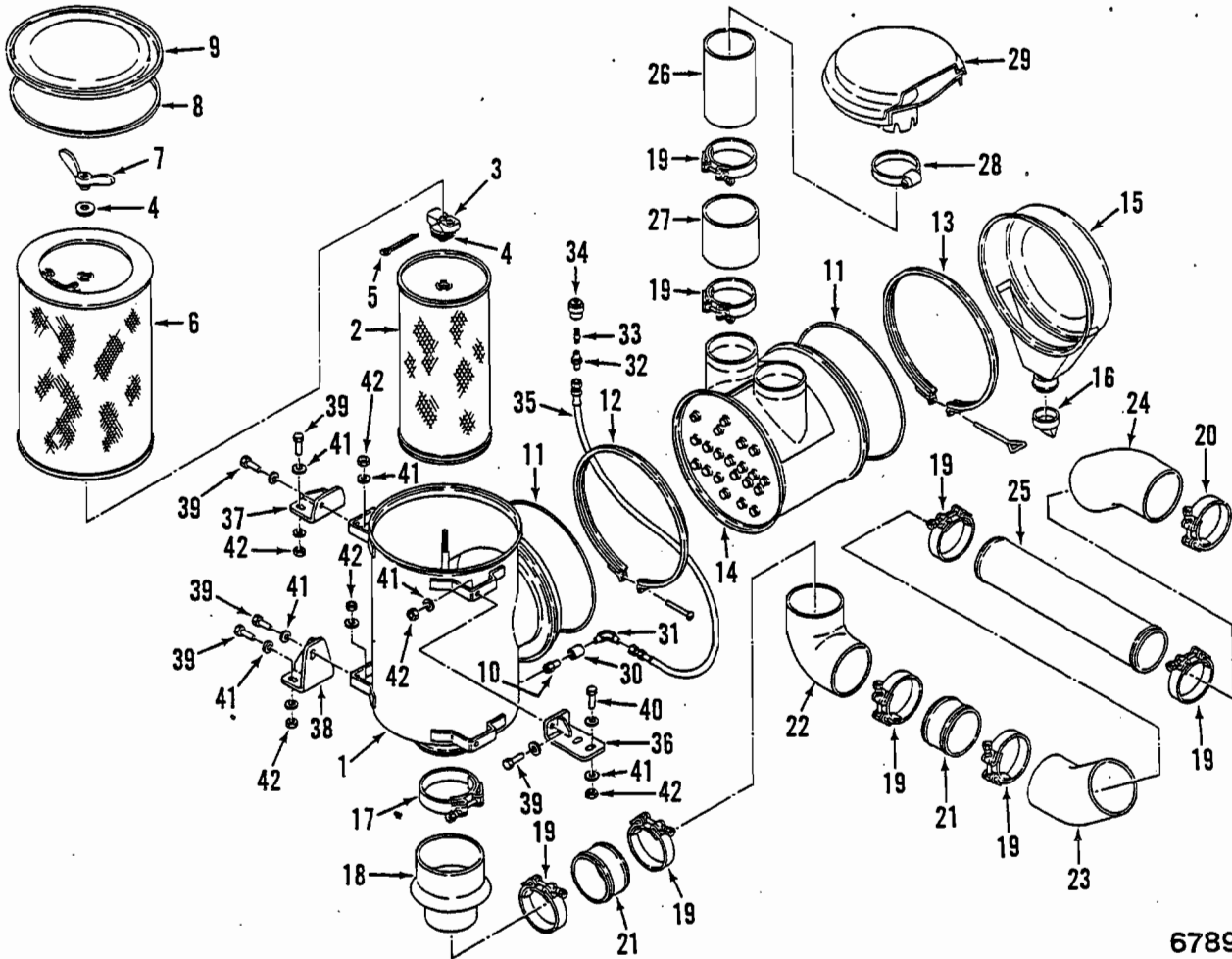
Item	Qty.	Part No	Description
34A	2	6602555	Sleeve, Wear (NI)
35	4	6600733	Screw
36	4	2031391	Lockwasher
37	4	6600732	Cover, Dust
38	-	REF	Brake Axle (See Group 033300)
39	2	6600783	Spring, Return
40	4	2036818	Washer
41	4	2031768	Pin
42	48	2037733	Bolt
43	48	6600591	Washer
44	2	6602562	Drum, Brake
45	2	6602556	Seal
46	2	6602563	Catcher, Oil
47	32	6602557	Stud
48	8	6600781	Spacer
49	2	6600730	Plate, Reinforcing
50	4	2031391	Lockwasher



6786

**RADIATOR & COOLING**

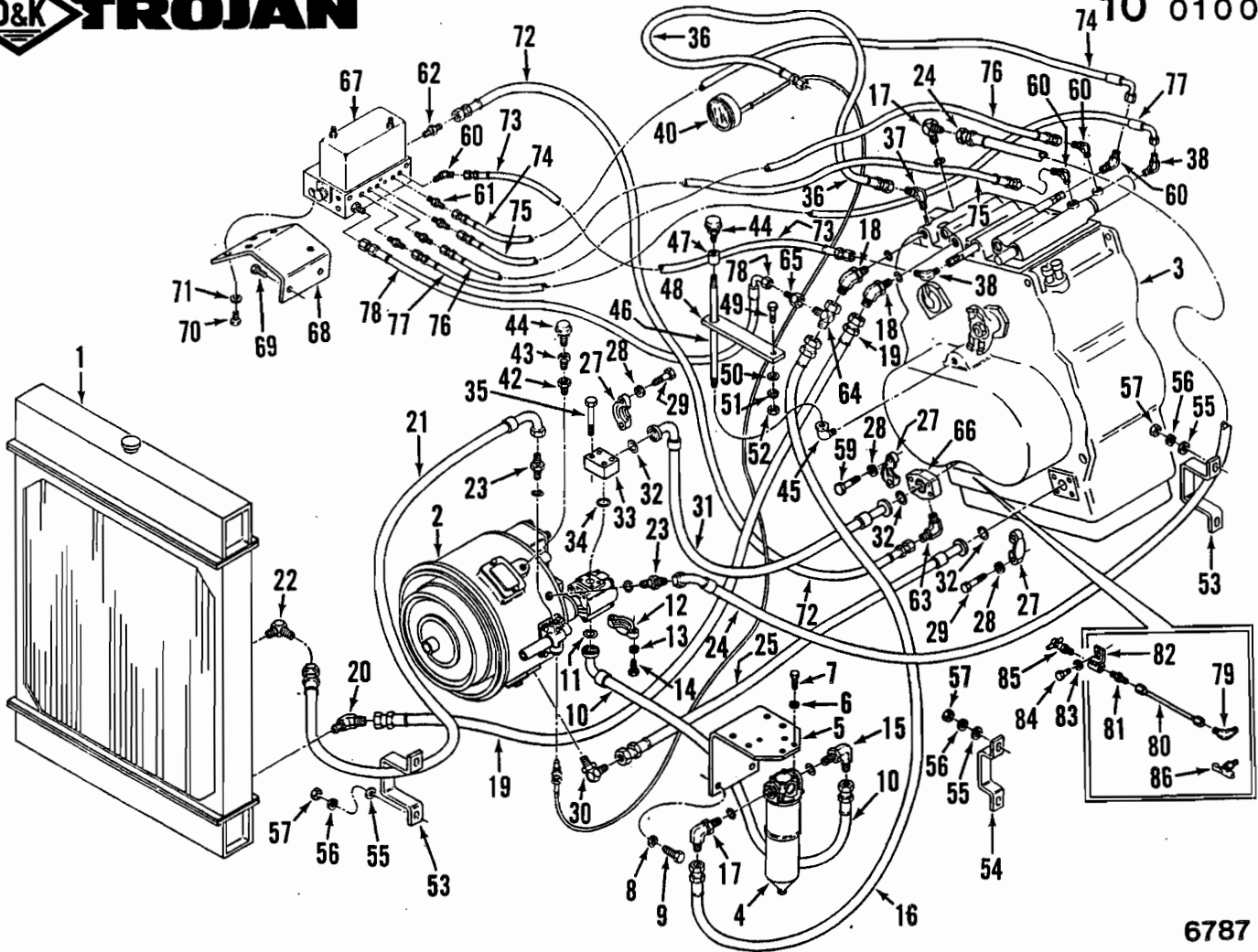
Item	Qty.	Part No	Description
1	REF		Radiator Asembly (See Group 060100)
2	2	2104515	Stud
3	2	2093620	Mount Shock
4	2	2100543	Washer (3/4)
5	2	2067438	Locknut (3/4-10)
6	REF		Cooler Assembly (See Group 110007)
7	A/R	2036816	Washer (3/8)
8	A/R	2031391	Lockwasher (3/8)
9	A/R	2031473	Bolt (3/8-16x3/4)
10	1	4610716	Shroud, Fan
11	A/R	2036816	Washer (3/8)
12	A/R	2031391	Lockwasher (3/8)
13	A/R	2031473	Bolt (3/8-16x3/4)
14	1	2100939	Tube, By-Pass
15	2	2032820	Clip
16	A/R	2031473	Bolt (3/8-16x3/4)



6789

**AIR INTAKE SYSTEM**

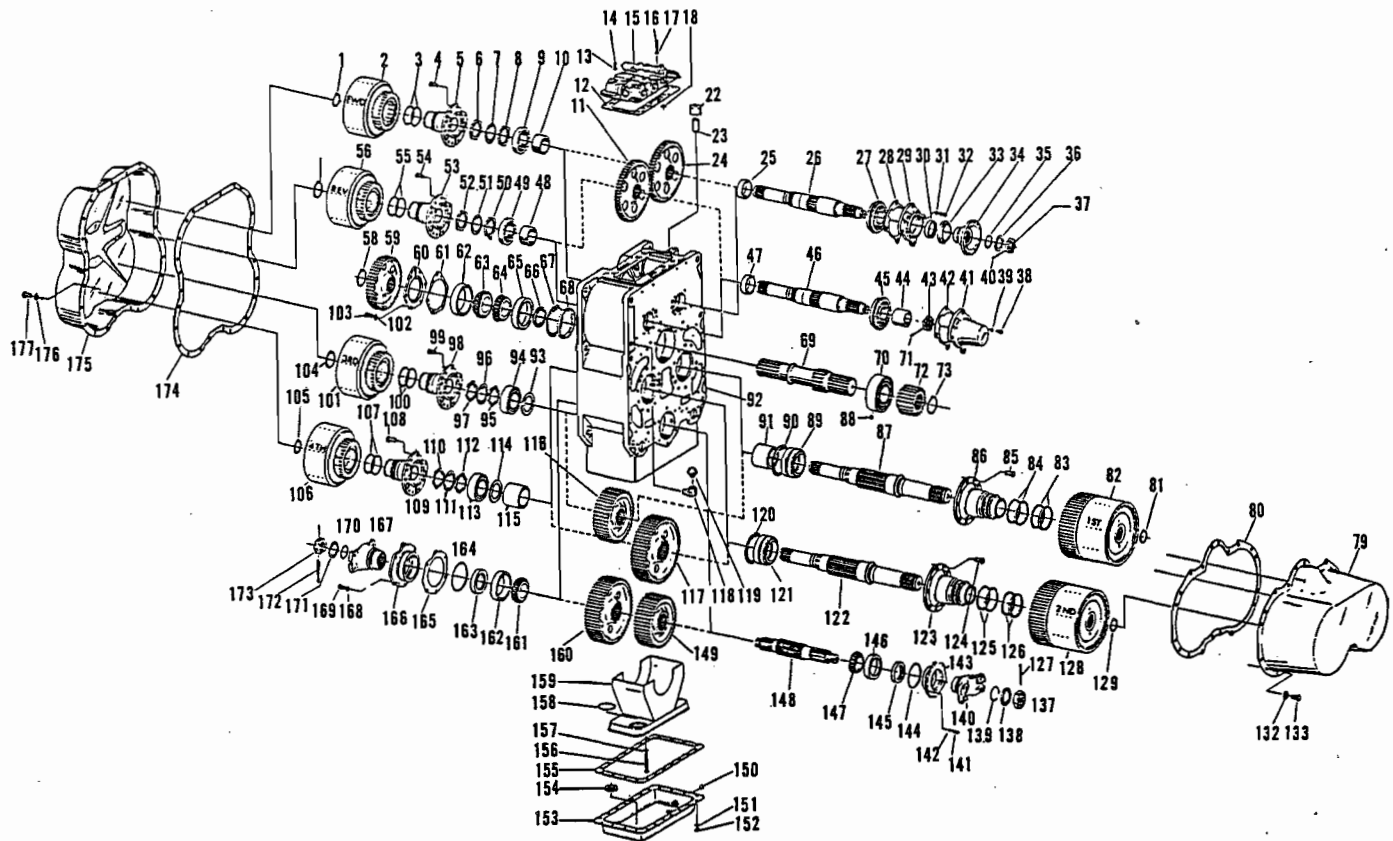
Item	Qty.	Part No	Description
A	1	4609212	Air Cleaner Assembly
1	1	6951550	Body Assy., Lower
2	1	4610784	Element Safety
3	1	4608127	Nut Assembly
4	REF		Seal (Furn. w/Item 3 & 7)
5	1	6960002	Cotter Pin
6	1	4610783	Element Primary
7	1	4618324	Wing Nut
8	1	6960000	Gasket
9	1	4618438	Cover
10	1	4197763	Adapter
11	2	6953034	O Ring
12	1	6950419	Clamp Assembly
13	1	6950423	Clamp Assembly
14	1	4615612	Body Assy., Upper
15	1	4618379	Cover



6787

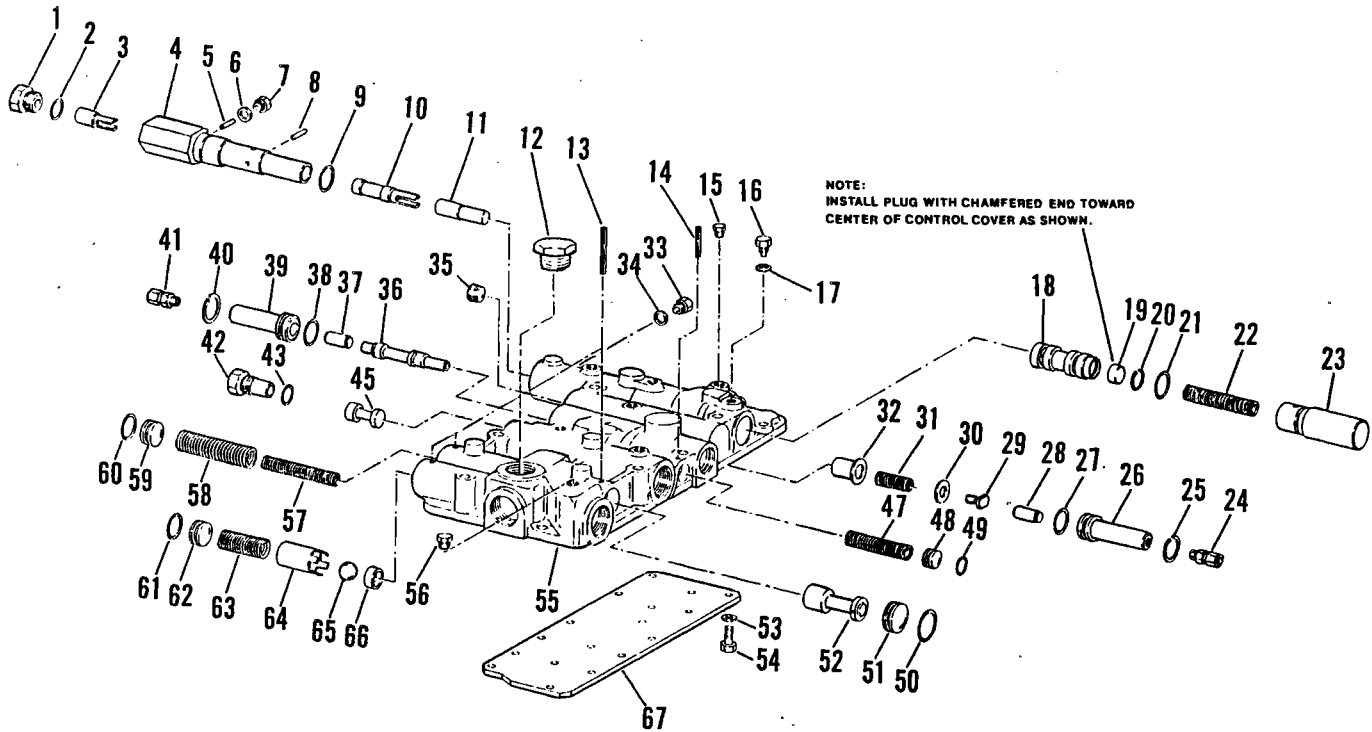
**TRANSMISSION HYDRAULIC SYSTEM**

Item	Qty.	Part No	Description
35	4	2031530	Bolt (1/2-13x3 3/4)
36	1	2087817	Hose Assy., to Bulkhead (Pressure Gauge)
37	1	2036538	Elbow
40	-	REF	Gauge, Trans. Temp. (See Group 170001)
42	1	6901217	Bushing, Reducer
43	1	6902164	Breather & Check Valve Assembly
44	-	NSS	Breather (Order Item 43)
45	1	2032294	Elbow
46	1	2114790	Nipple
47	1	2033084	Coupling
48	1	4611208	Stabilizer
49	1	2031477	Bolt (3/8-16x1 1/4)
50	2	2036816	Washer (3/8)
51	1	2031391	Lockwasher (3/8)
52	1	2031617	Nut (3/8-16)
53	2	2109420	Clamp
54	1	2109440	Clamp



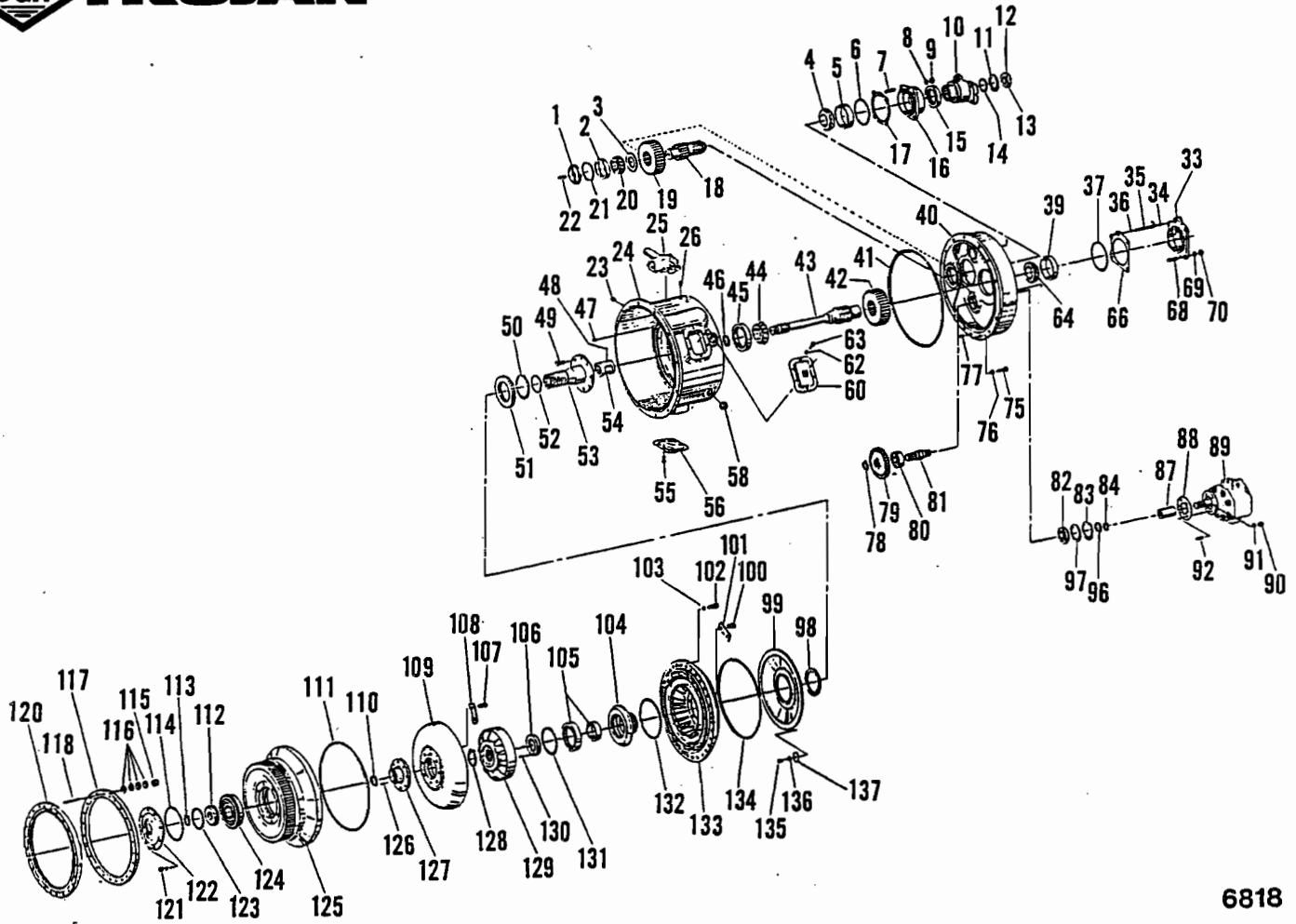
6812

<b>TRANSMISSION ASSEMBLY</b>			
Item	Qty.	Part No	Description
107	2	6901311	Piston Ring
108	8	6903453	Screw
109	1	6903045	Clutch Support & Plug Assy.
110	1	6901303	Locknut
111	1	6901304	Locknut
112	1	6901303	Locknut
113	1	6901334	Bearing
114	1	6901003	Spacer
115	1	6901332	Spacer
116	1	6901333	Gear (45T)
117	1	6903012	Gear (60T)
118	1	2032294	Elbow, Breather
119	1	6903133	Breather
120	1	6901099	Snap Ring
121	1	6901331	Bearing Assy.
122	1	6901330	Shaft
123	1	6901091	Clutch Support & Plug Assy.



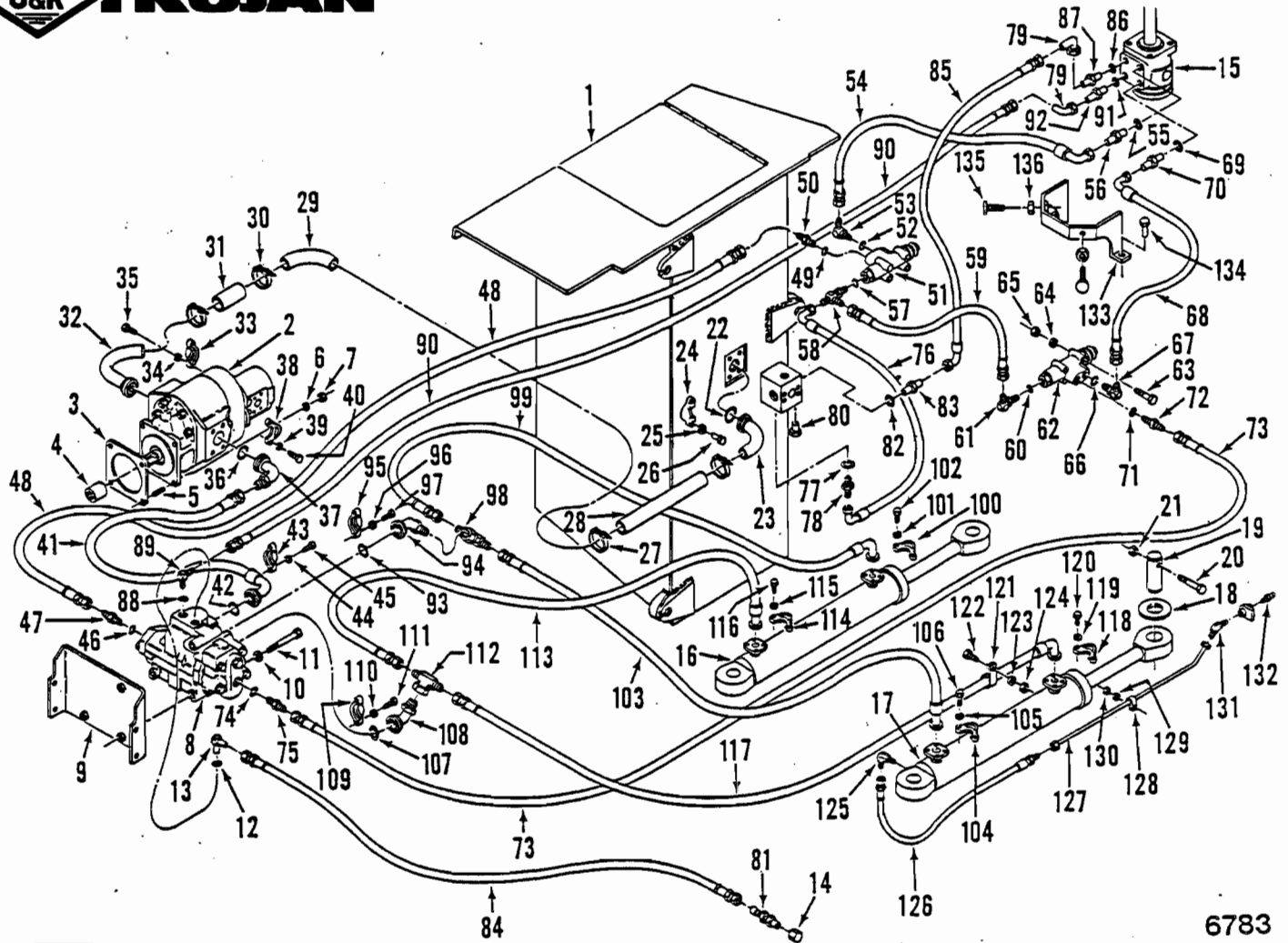
6808

CONTROL VALVE GROUP			
Item	Qty.	Part No	Description
A	1	4617128	Control Valve Assembly
B	1	7392277	Plug
2	1	6750674	O Ring
3	1	4617081	Valve, 3rd Speed
4	1	4617082	Housing
5	1	2039366	Pin
6	1	7392281	Washer
7	1	7392282	Plug
8	1	2039366	Pin
9	1	2041337	O Ring
10	1	4617083	Valve, 2nd Speed
11	1	4617084	Valve, 1st Speed
12	1	2057197	Plug
13	3	6901379	Roll Pin
14	1	6901194	Roll Pin
15	3	2033383	Plug
16	1	7392289	Plug



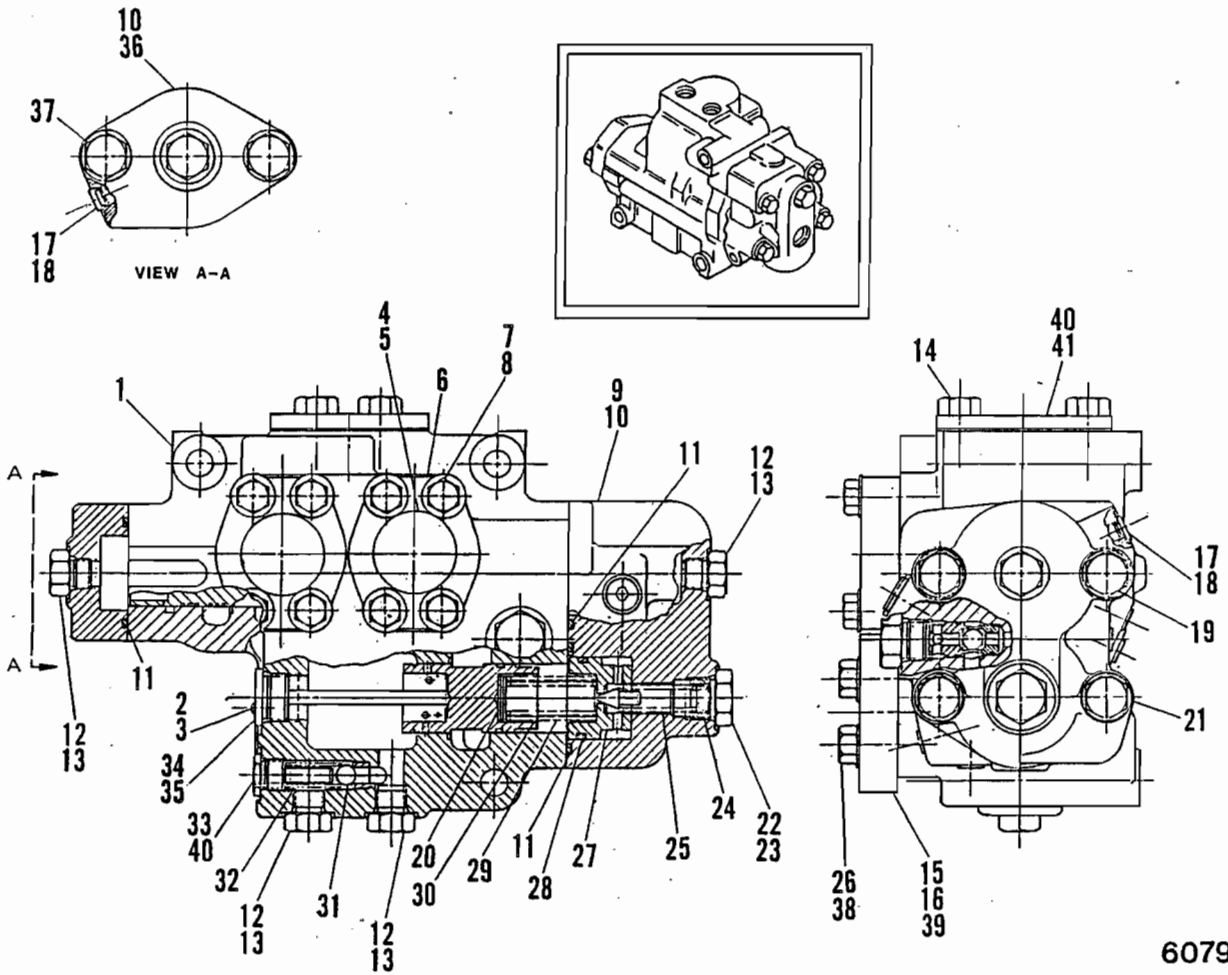
6818

TORQUE CONVERTER ASSEMBLY			
Item	Qty.	Part No	Description
114	1	6901216	O Ring - Impeller Cover Cap
115	24	6901971	Nut
116	96	6901393	Washer, Belleville
117	1	6901398	Plate Backing
118	24	6902611	Stud
120	1	6902983	Gear Assy. Flywheel & Ring (Item 115-118)
121	8	4601417	Capscrew Impeller Cover
122	1	6900981	Cap, Impeller Cover
123	1	4601418	Ring, Piston
123A	1	4601419	Expander Spring (NI)
124	1	6900976	Bearing
125	1	6901032	Cover - Impeller
126	2	6900974	Pin, Dowel
127	1	6900973	Hub, Turbine
128	1	6901027	Ring, Snap Reaction Member
129	1	6901028	Member Reaction
130	1	6901029	Pin, Roll



6783

STEER HYDRAULIC SYSTEM			
Item	Qty.	Part No	Description
111	4	2031475	Bolt
112	1	2115238	Tee
113	1	2111500	Hose Assembly
113A	1	2072631	O Ring (NI)
114	2	2070814	Flange Half
115	4	2031391	Lockwasher
116	4	2031475	Bolt
117	1	2111501	Hose Assembly
117A	1	2072631	O Ring (NI)
118	2	2070814	Flange Half
119	4	2031391	Lockwasher
120	4	2031475	Bolt
121	2	2070860	Clamp
122	2	2031477	Bolt
123	2	2031391	Lockwasher
124	2	2036816	Washer
124	2	2031617	Nut



STEERING VALVE ASSEMBLY			
Item	Qty.	Part No	Description
23	14	2041342	Seal
24	1	2114352	Shim
25	1	6753297	Spring
26	4	2037638	Bolt
27	1	6753298	Plunger & Seat Assy. (Incl. Items 27A & 27B)
27A	2	6753299	Seal, Pilot
27B	1	6753300	Plunger, Pilot
28	1	6851490	Seal
29	1	6753301	Spring
30	1	6753302	Spring
31	1	6753272	Ball
32	1	6753303	Spring
33	1	6753304	Plug
34	1	6753305	Stop
35	1	6750674	Seal

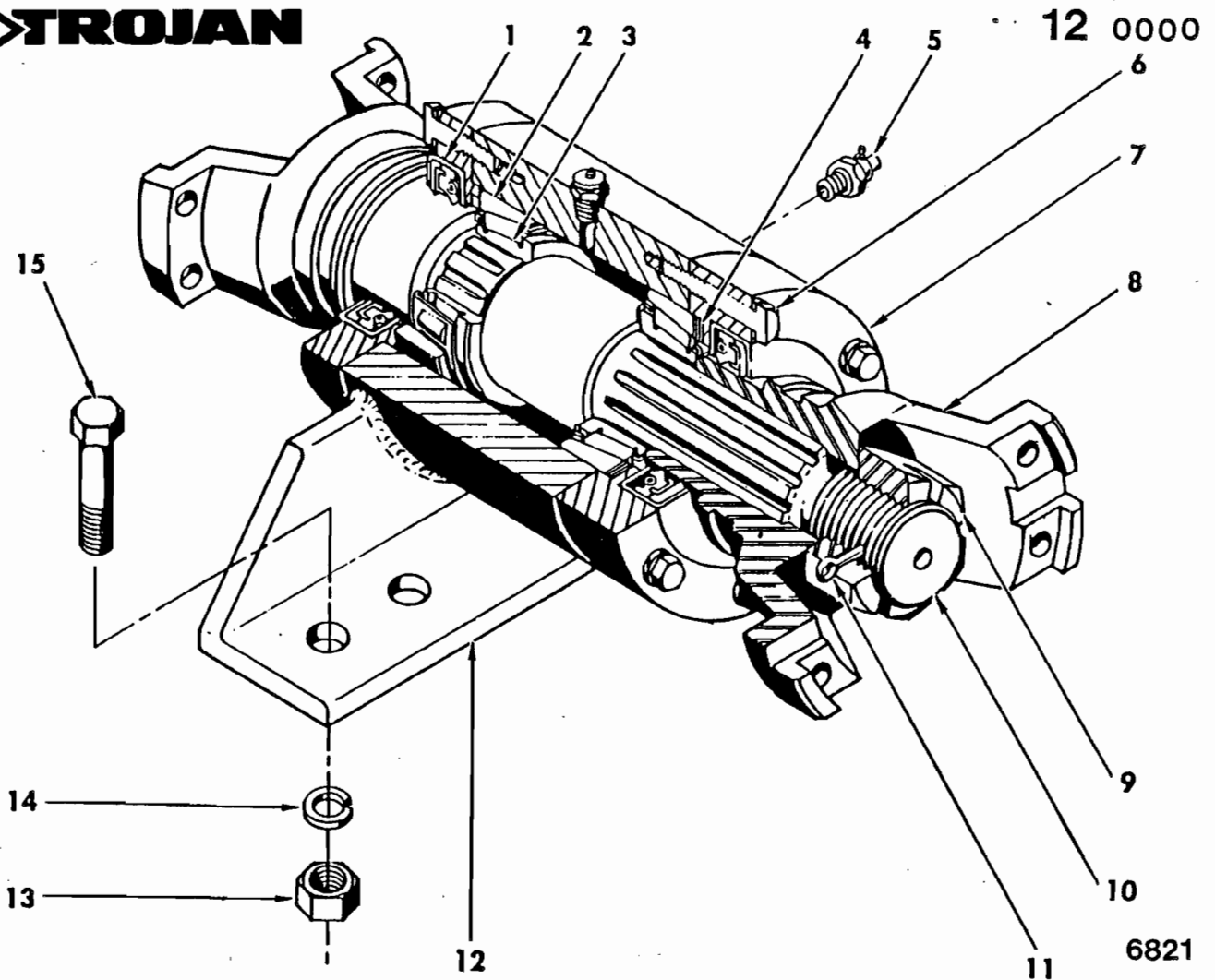
CLICK HERE TO **DOWNLOAD** THE COMPLETE MANUAL

- Thank you very much for reading the preview of the manual.
- You can download the complete manual from: [www.heydownloads.com](http://www.heydownloads.com) by clicking the link below



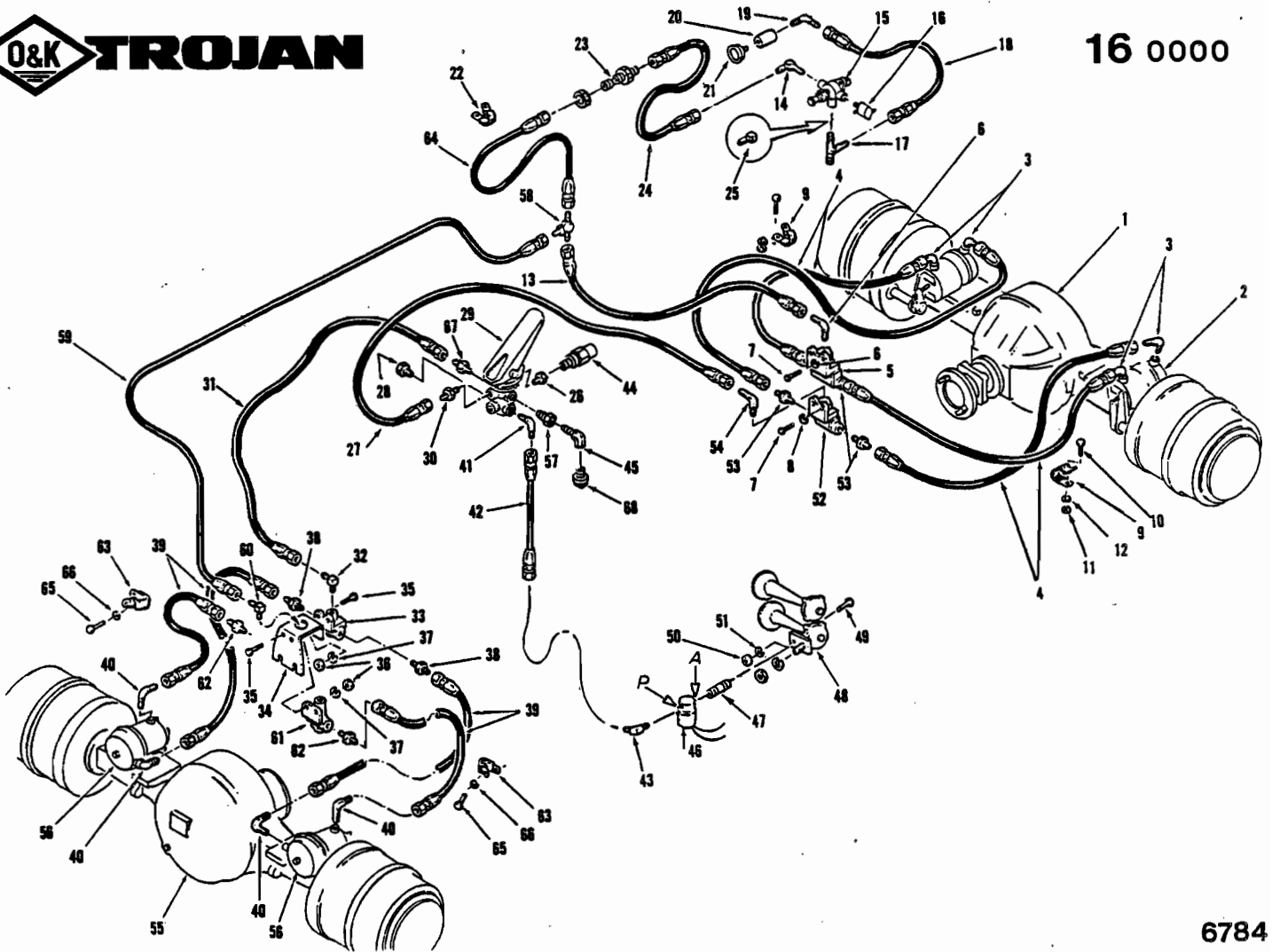
- Please note: If there is no response to CLICKING the link, please download this PDF first and then click on it.

CLICK HERE TO **DOWNLOAD** THE COMPLETE MANUAL



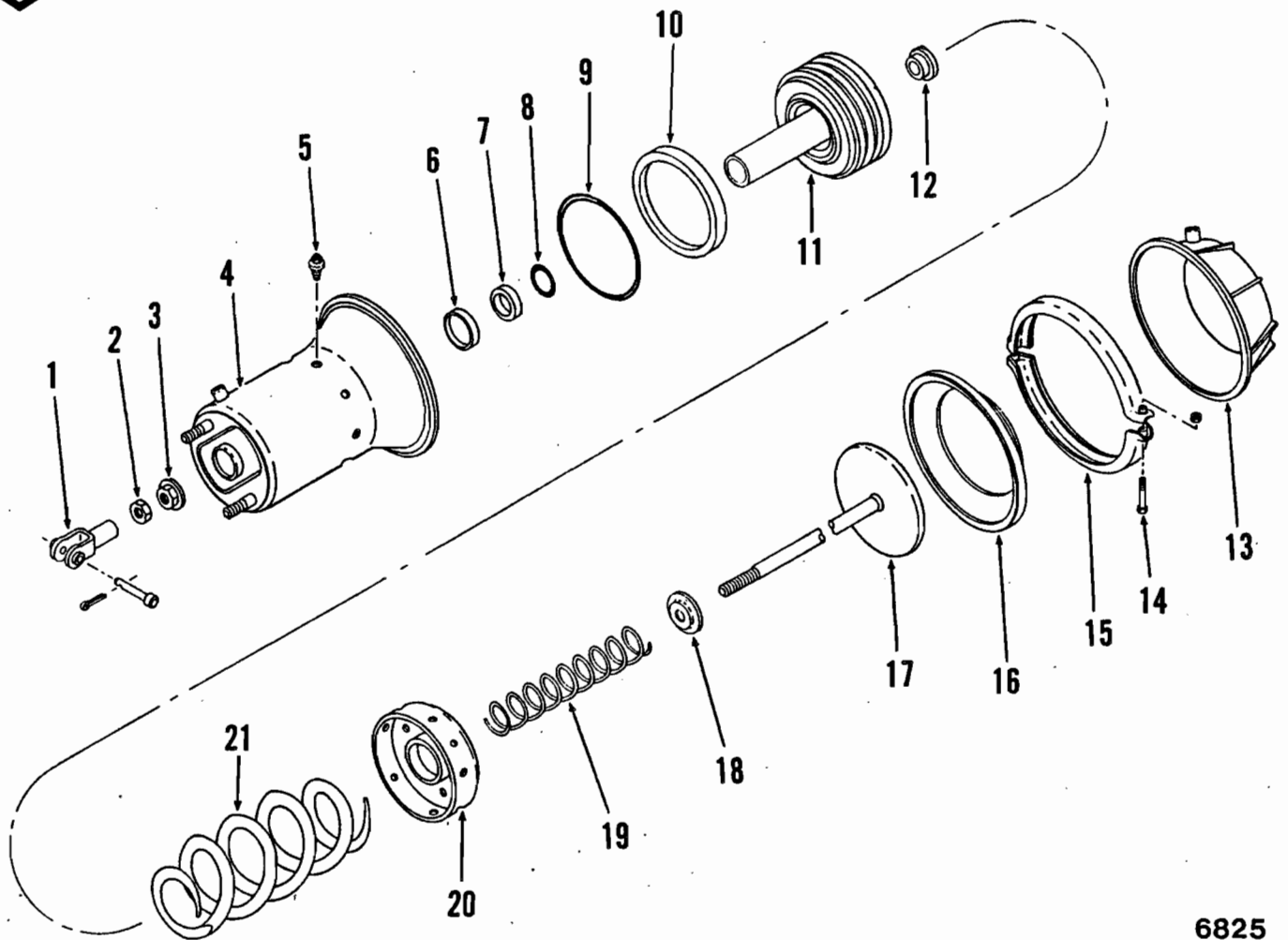
PILLOW BLOCK ASSEMBLY

Item	Qty.	Part No	Description
A	1	2099219	Pillow Block Assembly
1	2	6900997	Seal
2	2	2064902	Cup, Bearing
3	2	2064903	Cup, Bearing
4	A/R	2064904	Shim (.005)
	A/R	2064905	Shim (.007)
	A/R	2064906	Shim (.020)
5	1	2062146	Fitting, Pressure Relief
5A	1	2062147	Grease Fitting
6	12	2031521	Bolt
6A	12	2031393	Lockwasher
7	2	2064901	Cover
8	2	2064411	Yoke
9	2	6901004	Nut
9A	2	6901003	Washer
10	1	2064907	Shaft Assembly
11	2	2031783	Cotter Pin



6784

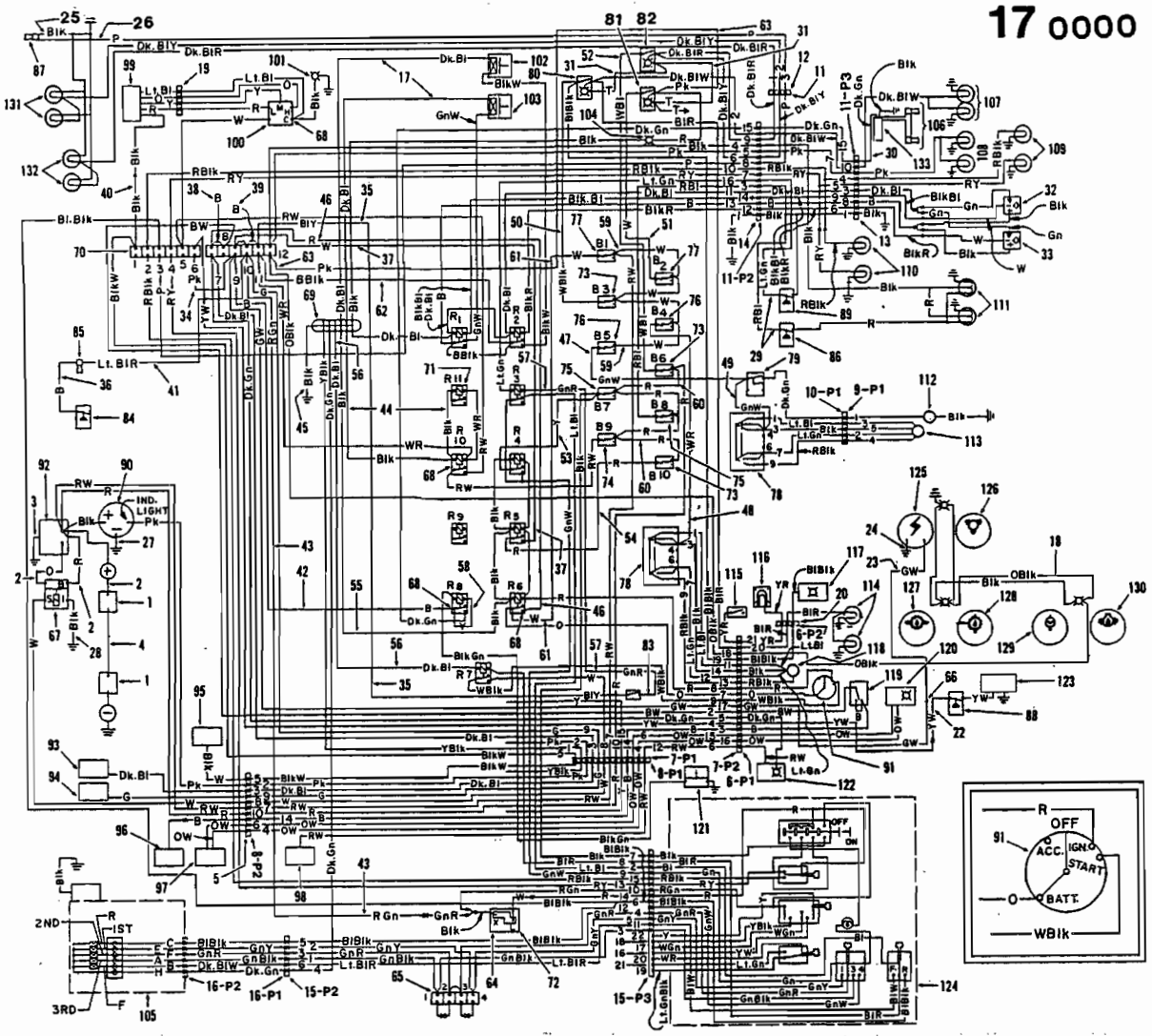
BRAKE CONTROLS & LINES			
Item	Qty.	Part No	Description
18	1	4611125	Hose Assembly
19	1	2032007	Elbow
20	1	2033082	Coupling
21	-	REF	Gauge, Air Press. (See Group 170001)
22	1	2032819	Clip
23	1	2101406	Fitting, Bulkhead
24	1	4611126	Hose Assembly
25	1	2033858	Elbow
26	1	2053265	Bushing
27	1	2314412	Hose Assembly
28	1	2034287	Plug
29	-	REF	Treadle Valve Assy. (See Group 160002)
30	1	2031989	Adapter
31	1	2314409	Hose Assembly
32	1	2049697	Elbow
33	1	2104054	Valve Assy., Quick Release
34	1	2108030	Bracket, Mount



6825

BRAKE CHAMBER ASSEMBLY (SERVICES ONE CHAMBER)			
Item	Qty.	Part No	Description
12	1	6953003	Bushing
13	1	6953006	Plate, Pressure
14	1	2030820	Bolt
14A	2	2031372	Nut
15	1	6953005	Clamp (Incls. Items 14 & 14A)
16	1	6953007	Diaphragm
17	1	6953717	Rod, Push
18	1	6953002	Retainer, Spring
19	1	6953001	Spring
20	1	6952998	Seat, Spring
21	1	6952997	Spring
22	1	6953200	Lubricant (TR3) (NI)

17 0000



- B Brown
  - B1 Blue
  - Dk B1 Dark Blue
  - Lt B1 Light Blue
  - B1k Black
  - G Gray
  - Gn Green
  - Dk Gn Dark Green
  - Lt Gn Light Green
  - O Orange
  - P Purple
  - Pk Pink
  - R Red
  - T Tan
  - W White
  - Y Yellow
- 
- BB1k Brown/Black
  - B1B1k Blue/Black
  - B1kB1 Black/Blue
  - B1kGn Black/Green
  - B1kR Black/Red
  - B1kW Black/White
  - B1R Blue/Red
  - B1W Blue/White
  - Dk B1W Dark Blue/White
  - Lt B1W Light Blue/White
  - B1Y Blue/Yellow
  - BW Brown/White
  - GR Gray/Red
  - GN Gray/White
  - GnB1k Green/Black
  - Lt GnB1k Light Green/Black
  - GnR Green/Red
  - GnW Green/White
  - GnY Green/Yellow
  - OB1k Orange/Black
  - OW Orange/White
  - PW Purple/White
  - RB1 Red/Blue
  - RB1k Red/Black
  - RGn Red/Green
  - RW Red/White
  - RY Red/Yellow
  - WB1 White/Blue
  - WB1k White/Black
  - WGn White/Green
  - WR White/Red
  - YB1k Yellow/Black
  - YR Yellow/Red
  - YW Yellow/White

6792

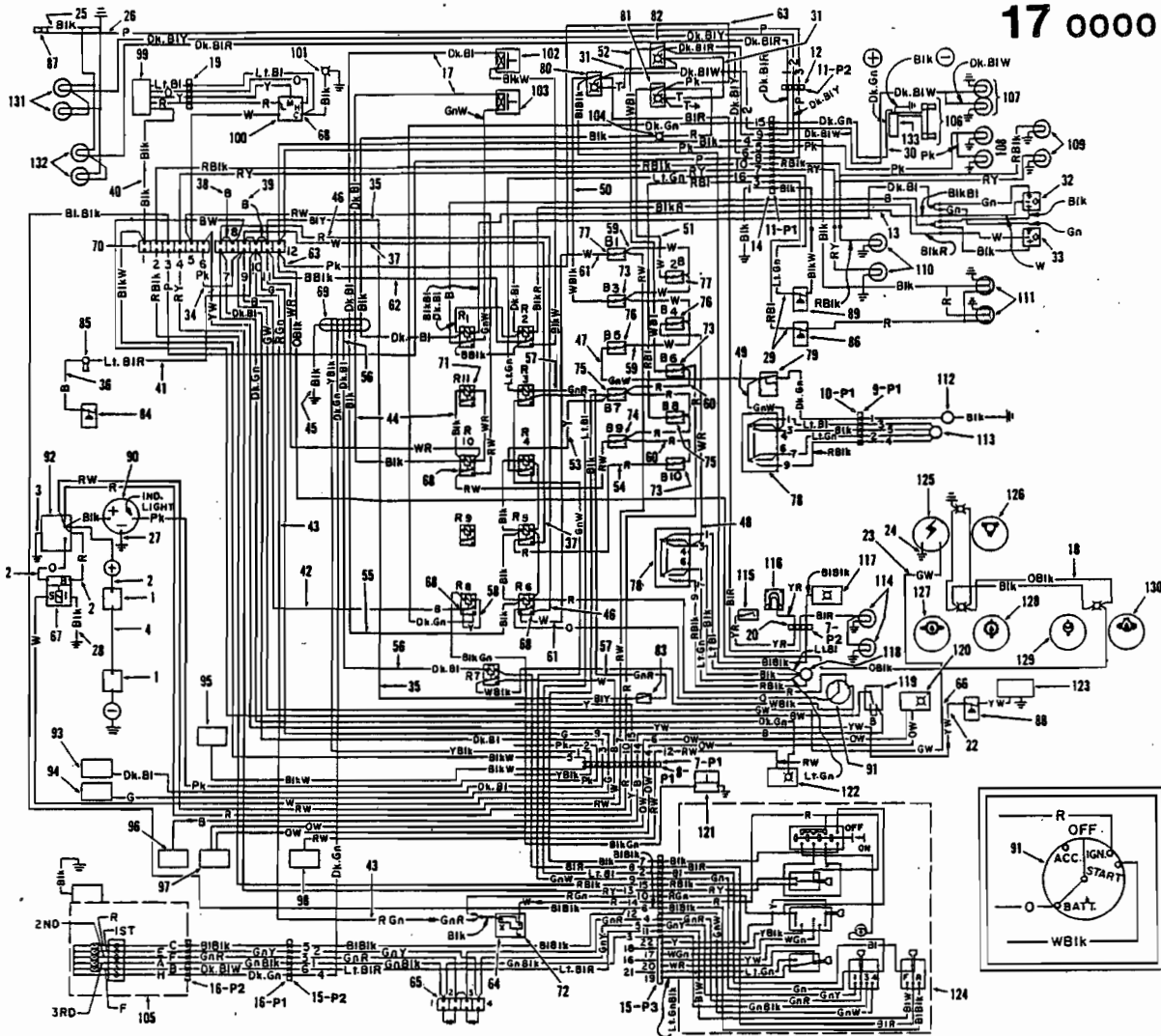
**BATTERY & WIRING  
(FOR MACHINES THRU S/N T18-7518)**

Item	Qty.	Part No	Description
16	1	4610840	Wire Harness Assy. (Red)
	1	4610980	Receptacle
	1	4606987	Seal
	6	4604960	Pin
	1	4606984	Seal
	1	4610835	Connector
	1	4610836	Seal
17	1	4610862	Wire Harness Assy. (Bucket & Hoist Detent)
	2	6752758	Receptacle
18	1	4611042	Wire Harness Assy. (Dash Lights)
19	1	4606905	Wire Harness Assy. (Air Conditioner)
20	1	4607597	Wire Harness Assembly
21	1	4612756	Wire Assy.-Yellow/White
22	1	4612755	Wire Assy.-Yellow/White

75170000-1

152

17 0000

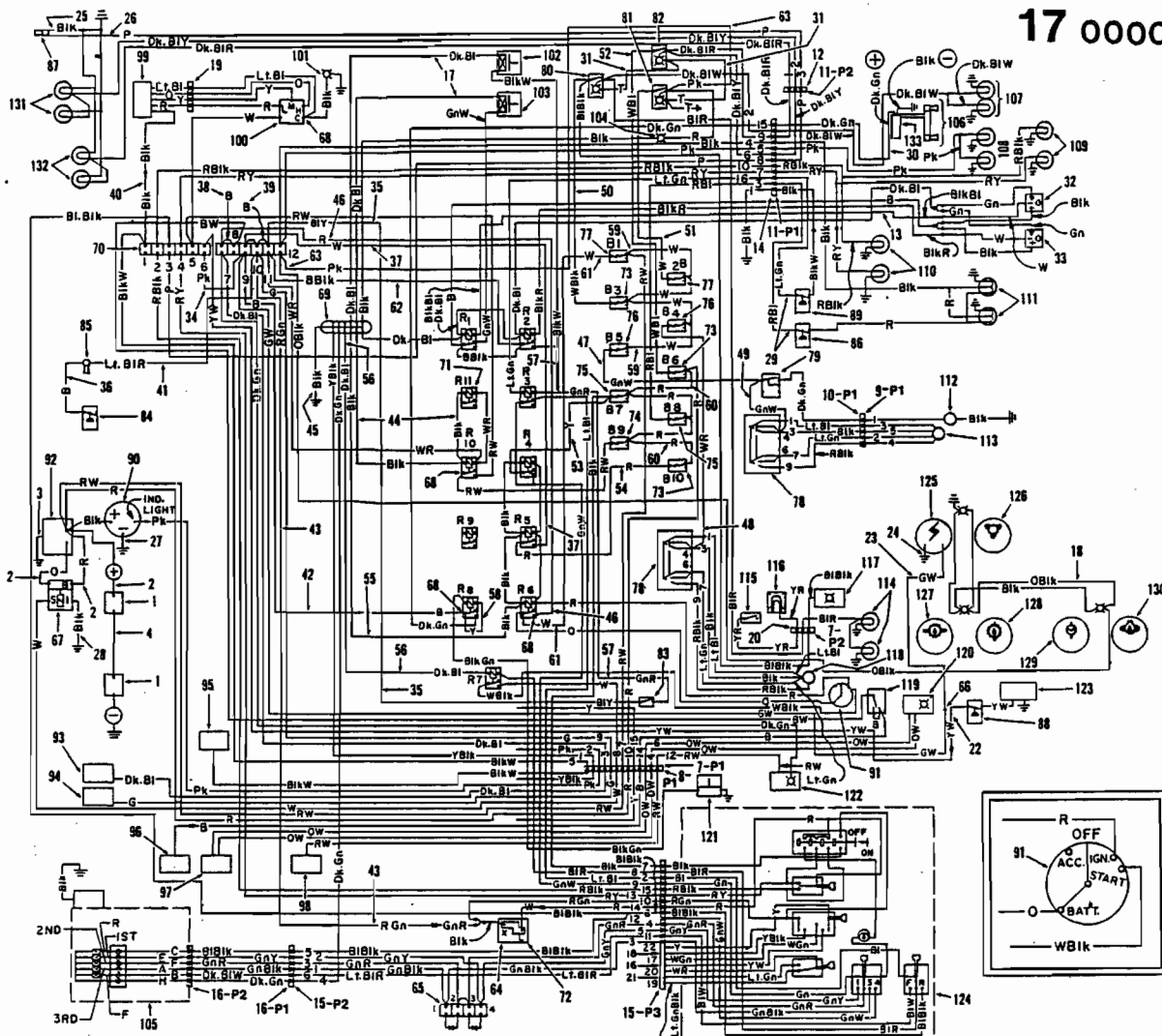


- B Brown
- B1 Blue
- Bk Dark Blue
- Lt B1 Light Blue
- Bk Black
- G Gray
- Gn Green
- Dk Gn Dark Green
- Lt Gn Light Green
- O Orange
- P Purple
- Pk Pink
- R Red
- T Tan
- W White
- Y Yellow

- B1k Brown/Black
- B1Bk Blue/Black
- B1B1 Black/Blue
- B1kGn Black/Green
- B1kR Black/Red
- B1kW Black/White
- B1R Blue/Red
- B1W Blue/White
- Dk B1W Dark Blue/White
- Lt B1W Light Blue/White
- B1Y Blue/Yellow
- BW Brown/White
- GR Gray/Red
- GW Gray/White
- GnBk Green/Black
- Lt GnBk Light Green/Black
- GnR Green/Red
- GnW Green/White
- GnY Green/Yellow
- OBk Orange/Black
- OW Orange/White
- PW Purple/White
- RB1 Red/Blue
- RB1k Red/Black
- RGn Red/Green
- RW Red/White
- RY Red/Yellow
- WB1 White/Black
- Wn White/Green
- WR White/Red
- YBk Yellow/Black
- YR Yellow/Red
- YW Yellow/White

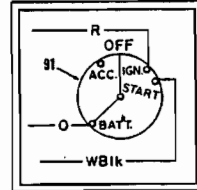
**BATTERY & WIRING  
(FOR MACHINES S/N T18-7519 & HIGHER)**

Item	Qty.	Part No	Description
7	1	4612758	Wire Harness Assembly (Yellow)
			<u>PI</u>
	1	4604975	Plug
	1	4616840	Coupling (Plug)
	9	4604961	Pin
	2	4606984	Pin
	1	4606697	Seal Kit
	1	4604981	Clamp
	2	4612762	Contact, Female
			<u>P2</u>
	1	4159378	Connector
	4	4160274	Female Slide



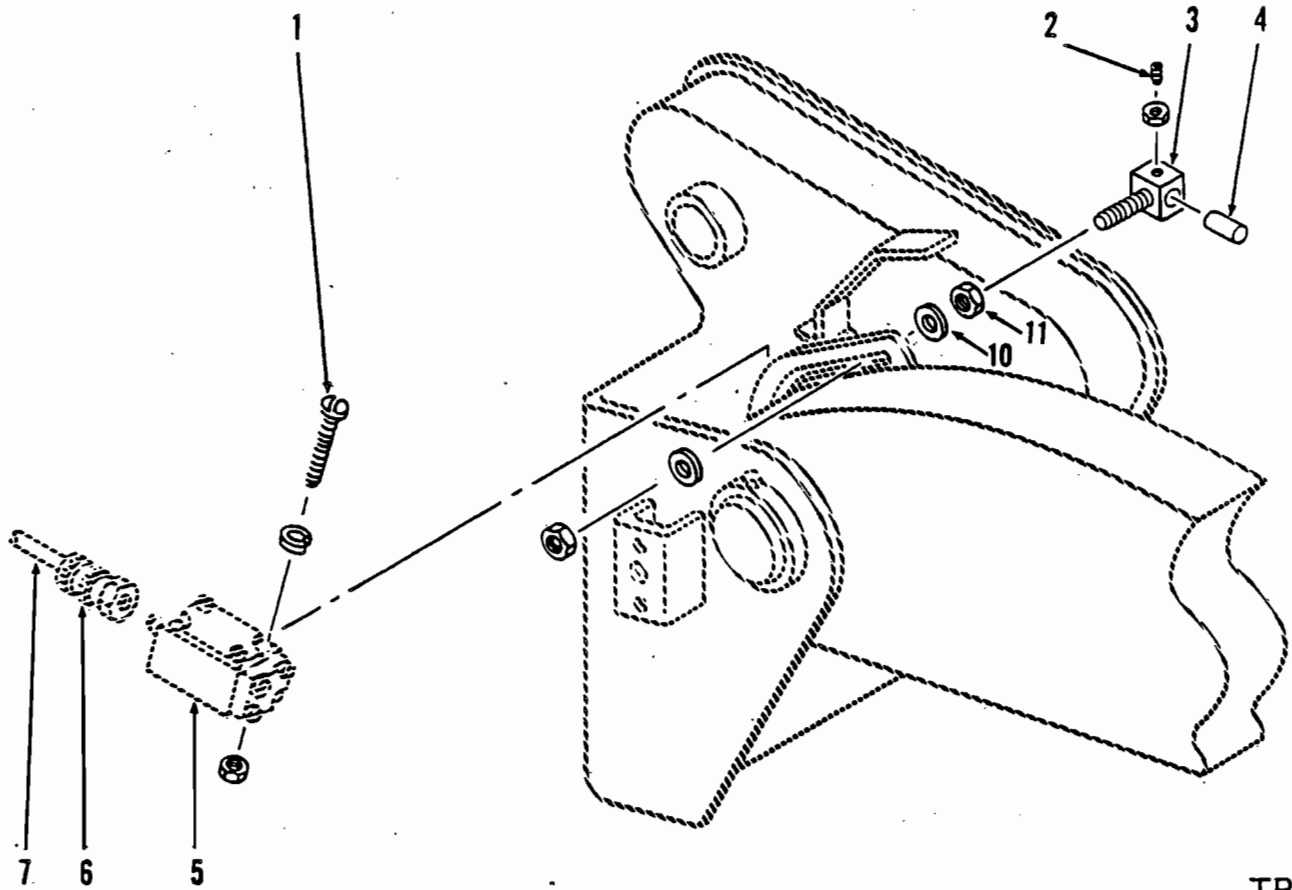
- B Brown
- Bl Blue
- Dk Bl Dark Blue
- Lt Bl Light Blue
- Bk Black
- G Gray
- Gn Green
- Dk Gn Dark Green
- Lt Gn Light Green
- O Orange
- P Purple
- R Red
- T Tan
- W White
- Y Yellow

- BBk Brown/Black
- BtBk Blue/Black
- BkBl Black/Blue
- BkGn Black/Green
- BkR Black/Red
- BkW Black/White
- BtR Blue/Red
- BtW Blue/White
- Dk BtW Dark Blue/White
- Lt BtW Light Blue/White
- BtY Blue/Yellow
- BtW Brown/White
- GR Gray/Red
- Gm Gray/White
- GmBlk Green/Black
- Lt GmBlk Light Green/Black
- GmR Green/Red
- GmW Green/White
- GmY Green/Yellow
- OBk Orange/Black
- OW Orange/White
- Pk Purple/White
- RBt Red/Blue
- RBk Red/Black
- RGr Red/Green
- RW Red/White
- RY Red/Yellow
- WbT White/Blue
- WbY White/Yellow
- WbW White/White
- WR White/Red
- YBk Yellow/Black
- YR Yellow/Red
- YW Yellow/White



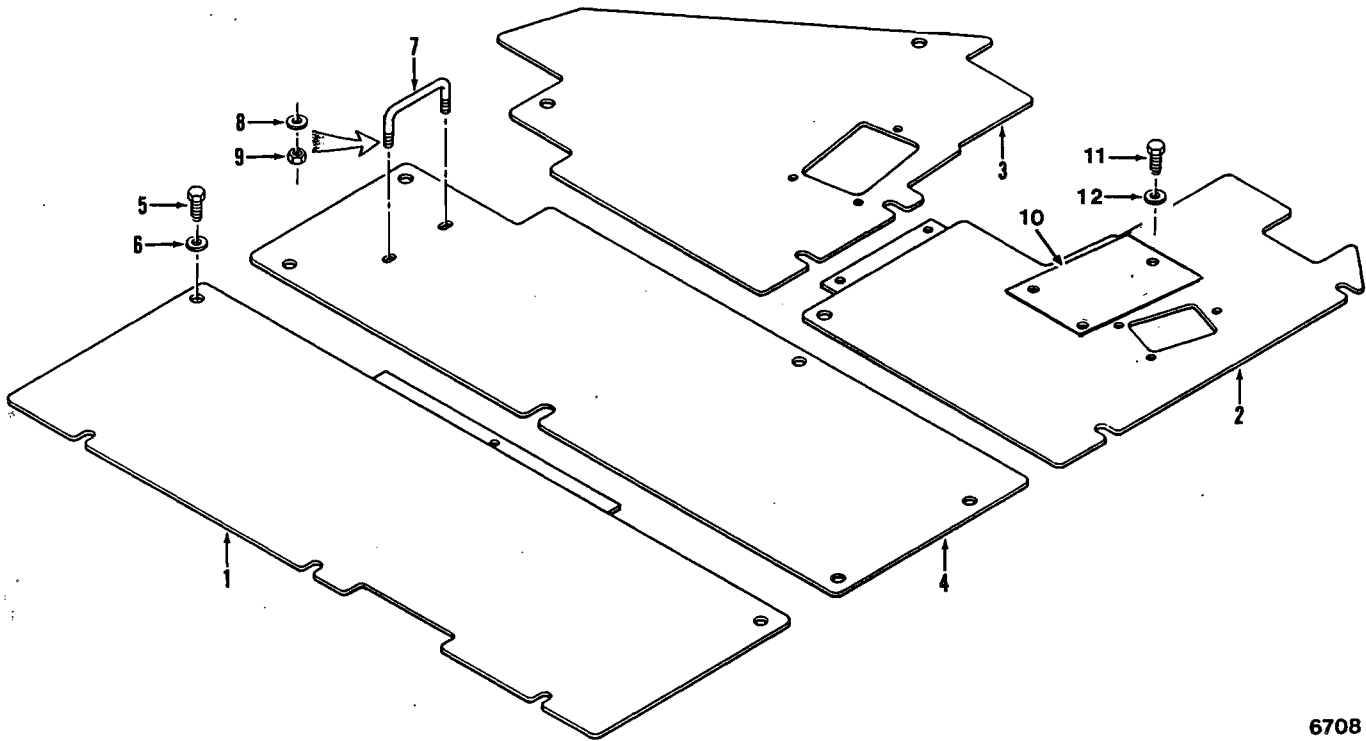
**BATTERY & WIRING  
(FOR MACHINES S/N T18-7519 & HIGHER)**

Item	Qty.	Part No	Description
78	2	4618187	Switch, Wiper
79	1	4618188	Switch, Washer
80	1	4618185	Switch, Work Light
81	1	4618185	Switch, Main Light
82	1	4618185	Switch, Flood Light
83	1	4618186	Switch, Parking Brake
87	1	2083437	Switch, Low Air Pressure
85	1	2113877	Buzzer
86	1	2046238	Switch, Stop Light
87	1	2110152	Back-up Alarm
88	1	2035671	Switch, Engine Oil Pressure
89	1	4611003	Switch, Clutch Cut-Out
90	REF		Alternator (See Group 070000)
91	REF		Switch, Ignition (See Group 17)
92	REF		Starter (See Group 070000)
93	REF		Valve, Engine Shut Down
94	REF		Air Dryer (See Group 160002)
95	REF		Compressor, A/C (Optional)



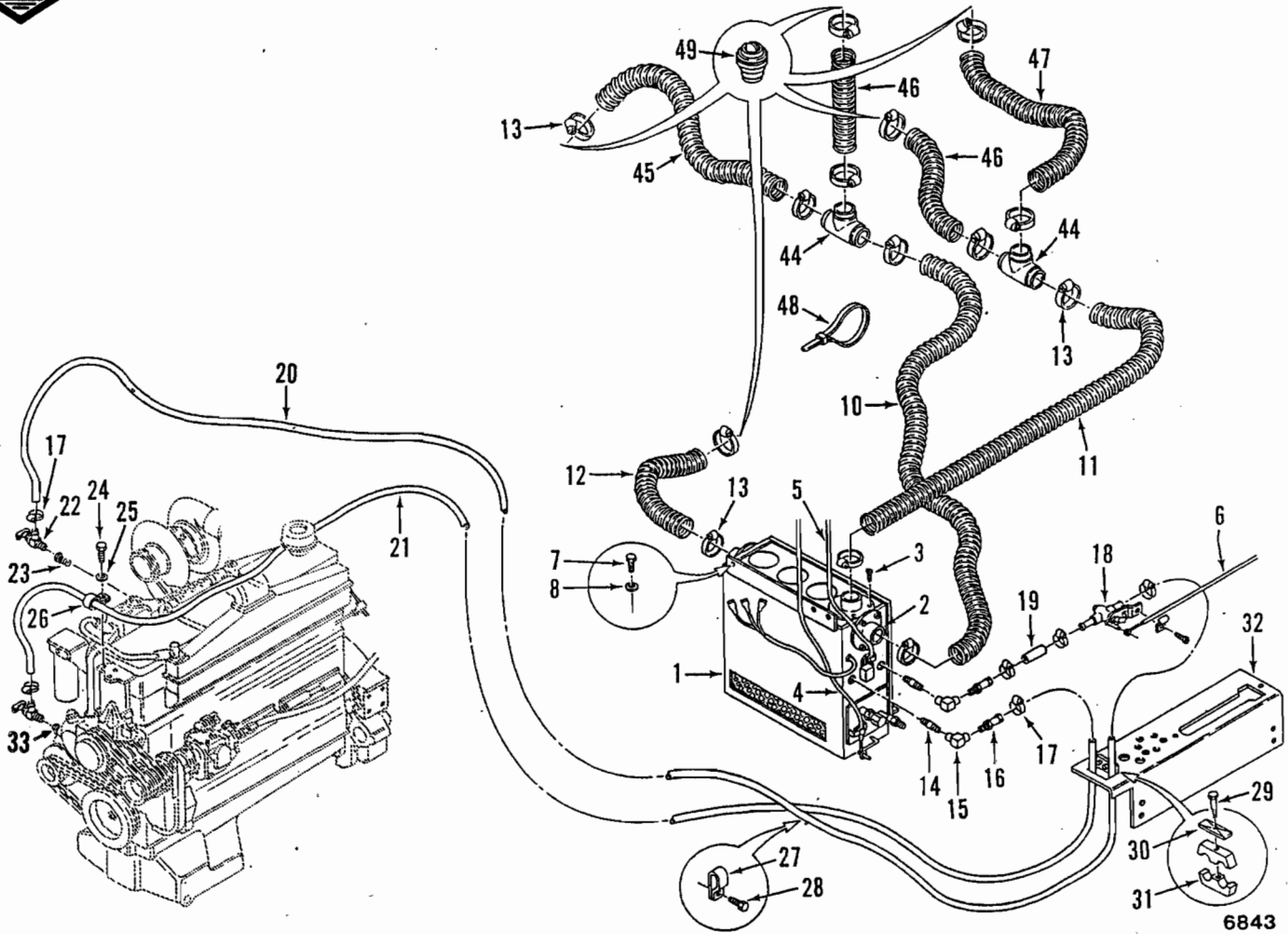
TP3235

AUTOMATIC HOIST CUTOUT			
Item	Qty.	Part No	Description
1	2	2031819	Bolt
2	1	2043261	Set Screw
3	1	2101816	Block, Actuating
4	1	2093708	Magnet
5	1	4612439	Switch & Wire Assy., Proximity
6	1	2105613	Connector, Water Tight
7	1	4612438	Wire Harness
7A	1	2104540	Grommet
8	2	6950888	Lockwasher
9	2	2031860	Nut
10	2	2036820	Washer
11	2	2031621	Nut



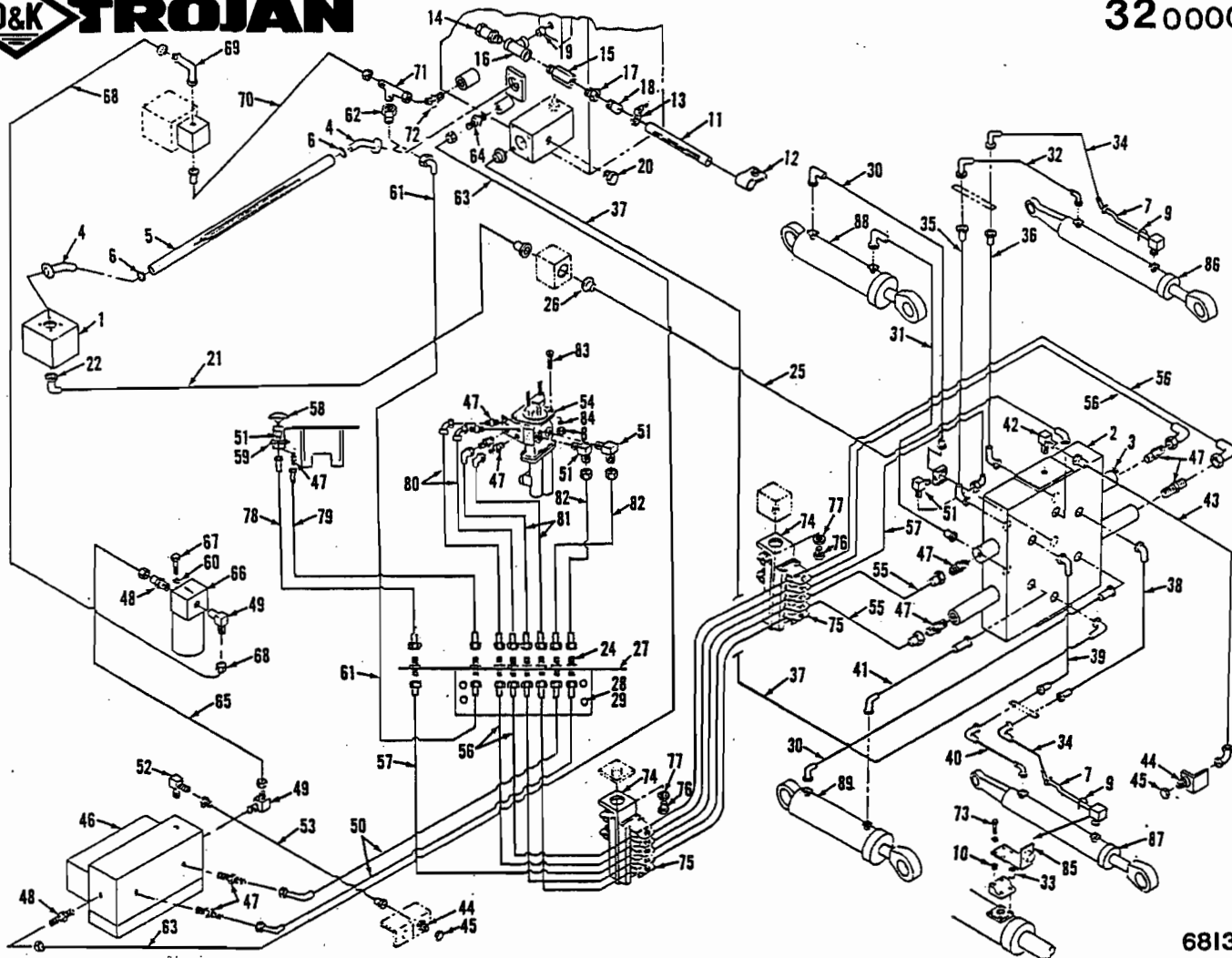
6708

FLOORPLATES			
Item	Qty.	Part No	Description
1	1	4605510	Floorplate, Rear
2	1	4605509	Floorplate, RH Front
3	1	4610632	Floorplate, LH Front
4	1	4605368	Floorplate Center
5	18	2071029	Bolt (3/8-16x1)
6	18	1540022	Washer (M10.5)
7	1	2102729	Handle
8	2	2036814	Washer (1/4)
9	2	2041067	Locknut
10	1	4610552	Plate
11	3	7121030	Bolt
12	3	1500003	Washer
12A	3	1251004	Nut



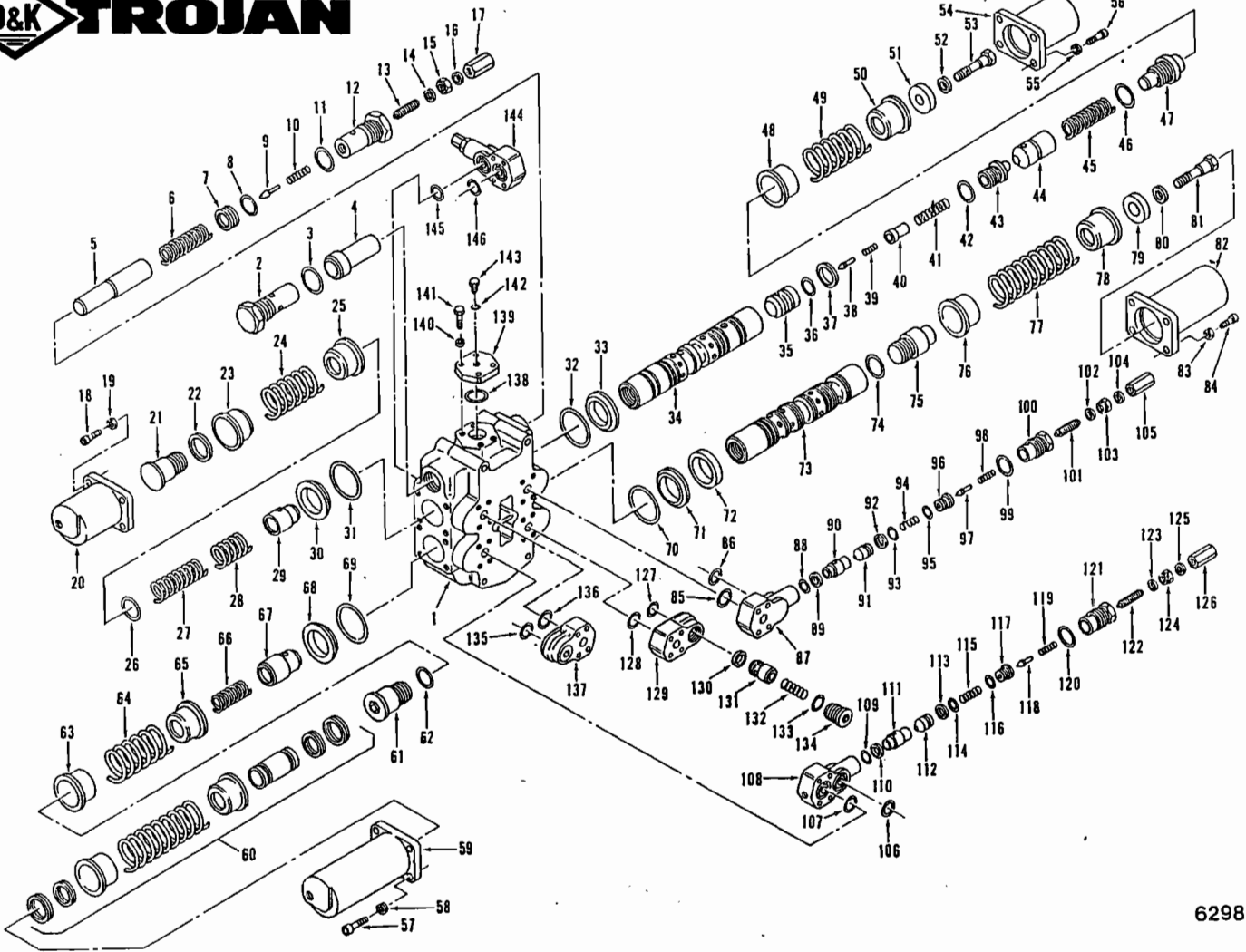
**HEATER INSTALLATION**

Item	Qty.	Part No	Description
1		REF	Heater Assy. (See Group 300001)
2	3	4608222	Duct Assembly
3	12	4154830	Screw (3.9x9.5)
4	1	4611198	Cable, Vent A/C
5	1	4609294	Cable (Optional)
6	1	4609293	Cable, Heater
7	4	7121003	Bolt (M8x16)
8	4	1500005	Washer (M8)
10	1	4607692	Duct, Flex
11	1	4612498	Duct, Flex
12	1	4608296	Duct, Flex
13	6	2032040	Clamp
14	2	2004358	Nipple
15	2	2031946	Elbow
16	2	4603894	Connector
17	6	2032038	Clamp
18	1	4601884	Control Valve, Water
19	1	4608308	Hose
20	1	4611330	Hose, Return



MAIN/SERVO HYDRAULIC SYSTEM

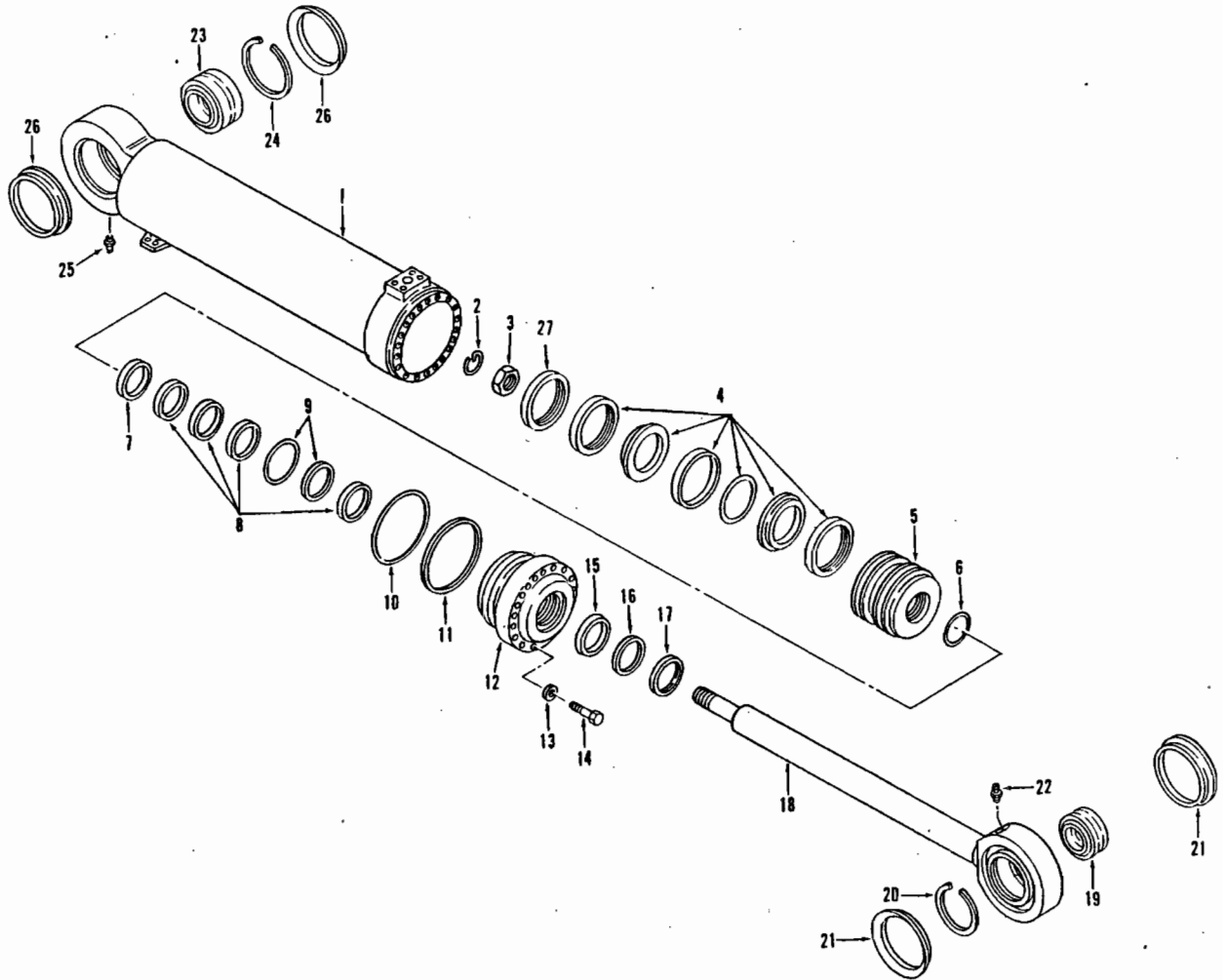
Item	Qty.	Part No	Description
39C	4	2031500	Bolt (7/16-14xl 1/2) (NI)
39D	4	2031498	Bolt (7/16-14xl 1/4) (NI)
39E	8	2031392	Lockwasher (7/16) (NI)
40	1	2100862	Hose Assembly
40A	2	2072632	O Ring (NI)
40B	4	2033316	Flange Half (NI)
40C	4	2031498	Bolt (7/16-14xl 1/4) (NI)
40D	4	2031500	Bolt (7/16-14xl 1/2) (NI)
40E	8	2031392	Lockwasher (7/16) (NI)
41	1	2108622	Hose Assembly
41A	2	2072632	O Ring (NI)
41B	4	2033316	Flange Half (NI)
41C	4	2031500	Bolt (7/16-14xl 1/2) (NI)
41D	8	2031392	Lockwasher (7/16) (NI)
42	1	2031922	Elbow, 90°
43	1	4601315	Hose Assembly
44	2	2101406	Fitting, Bulkhead



6298

**MAIN CONTROL VALVE  
(2 SPOOL)**

Item	Qty.	Part No	Description
78	1	6750395	Retainer, Spring
79	1	6753228	Retainer
80	1	2031393	Washer, Lock
81	1	6753318	Bolt (40-60 Ft. Lbs.)
82	1	6753237	Cover
83	4	2056294	Capscrew
84	4	2031390	Washer, Lock
85	1	6750999	O Ring
86	1	2072631	O Ring
87	1	6753062	Valve, Overload Relief (Incl. Items 85, 86, & 88-105)
88	1	2041333	O Ring
89	1	6753444	Ring, Back-Up
90	1	6752905	Seat, Check
91	1	6752907	Check



BUCKET CYLINDER ASSEMBLY			
Item	Qty.	Part No	Description
A	1	4602486	Cylinder Assembly
B	1	4602489	Service Packing Kit (Incls. Items *)
C	1	4602490	Rod & Bearing Kit (Incls. Items 18-20 & 22)
D	1	4602491	Body & Bearing Kit (Incls. Items 23, 24 & 25)
1	-	NSS	Body Assembly (Order Item "D")
2	1	4174429	Lock Ring
3	1	4174427	Lock Nut
4*	1	0042436	Bearing Set, Piston
5	1	4174485	Piston
6*	1	4149253	O Ring
7*	1	0042423	Bearing, Rear Piston
8*	4	0042424	Bearing, Rod
9*	1	4149158	Seal, Rod
10*	1	4149459	O Ring
11*	1	4149002	Ring, Back-up

CLICK HERE TO **DOWNLOAD** THE COMPLETE MANUAL

- Thank you very much for reading the preview of the manual.
- You can download the complete manual from: [www.heydownloads.com](http://www.heydownloads.com) by clicking the link below



- Please note: If there is no response to CLICKING the link, please download this PDF first and then click on it.

CLICK HERE TO **DOWNLOAD** THE COMPLETE MANUAL