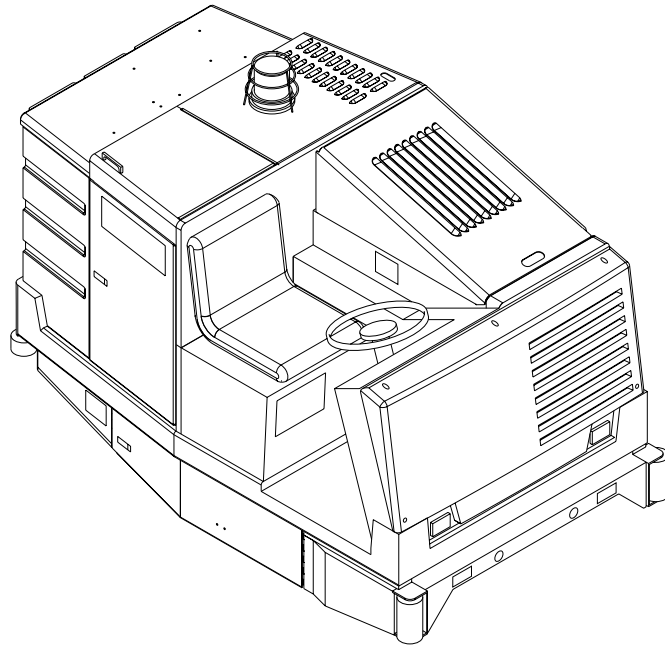


Hydro-Retriever™ 2052

CR 1300



PARTS LIST

**Advance MODELS 56459500(gas), 56459501(propane)
56459502(gas/Hydro-Max™ II), 56459503(propane/Hydro-Max™ II)
Nilfisk MODELS 56455972 (gas), 56455971 (propane)
All models covered in this manual are OBSOLETE**



**Nilfisk
Advance**

setting standards

6/99 revised 9/05 FORM NO. 56042351
BOOK E SECTION 9.6.1

CLICK HERE TO **DOWNLOAD** THE COMPLETE MANUAL

- Thank you very much for reading the preview of the manual.
- You can download the complete manual from: www.heydownloads.com by clicking the link below



- Please note: If there is no response to CLICKING the link, please download this PDF first and then click on it.

CLICK HERE TO **DOWNLOAD** THE COMPLETE MANUAL

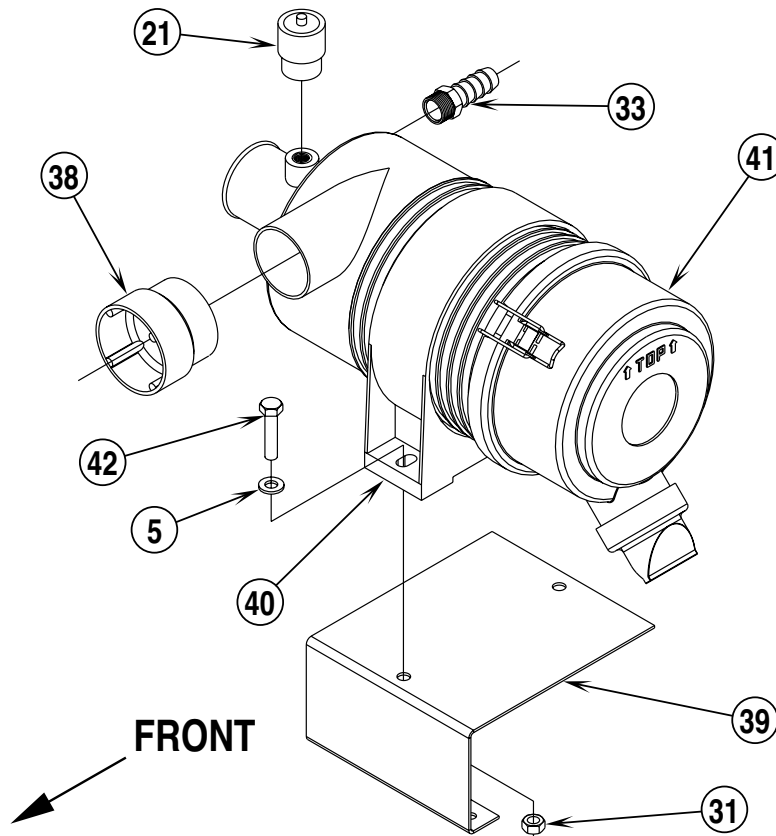
99-6	RADIATOR AND AIR FILTER	BOOK E		
01-1	Hydro-Retriever™ 2052G/P / CR 1300G/P	E	9.6.1	9

Item	Ref. No.	Qty	Description	Item	Ref. No.	Qty	Description
1	56459063	1	Hose	21	56478461	1	Service Indicator
2	56480650	2	Clamp (before SN 1326330)*	22	56002667	4	Scr, Hex Hd 5/16-18 x .75
3	56478710	1	Air Cleaner (before SN 1326330)*	23	56457282	1	Oil Cooler TSB 722
*	56478720	1	Primary Element (Outer)	24	56459478	1	Shroud
*	56478722	1	Secondary Element (Inner)	25	56016363	1	Decal, Warning Hot
4	56002035	4	Scr, Hex Hd 5/16-18 x .62	26	56440213	4	Hose Clamp
5	56001939	12	Wsh, Flt SAE 5/16	27	56456431	4	Radiator Cap
6	56459042	1	Mount (before SN 1326330)*	28	56457280	1	Radiator
7	56002155	2	Scr, Hex Hd 1/4-20 x .75	29	56482333	1	Radiator Hose
8	56459032	1	Shroud	30	56459044	1	Hose
9	56016364	2	Decal, Warning Fan	31	56002701	4	Nut, Hex Nyl Loc 5/16-18
10	56481287	2	Radiator Hose	32	56459064	1	Hose
11	56329145	6	Hose Clamp	33	56373456	1	Barb **Note 2
12	56462124	1	Tube	34	56340782	1	Elbow (before SN 1326330)
13	56002503	2	Scr, Hex Hd 10-24 x .50	35	56740214	1	Bushing (before SN 1326330)
14	56457286	4	Screw	36	56750746	1	Nipple (before SN 1326330)
15	56002708	14	Nut, Hex Nyl Loc 1/4-20	37	56752020	1	Tee (before SN 1326330)
16	56001836	4	Scr, Hex Hd 1/4-20 x .62	38	56455007	1	Adapter (after SN 1326329)
17	56003350	4	Nut, Hex M6	39	56455008	1	Bracket (after SN 1326329)
18	56456412	2	Strap	40	56482621	1	Clamp (after SN 1326329)
19	56478684	4	Rubber Mount	41	56412316	1	Air Cleaner (after SN 1326329)**Note 2
20	56002826	4	Nut, Hex Nyl Loc-Thin 5/16-18	•	56482029	1	Primary Filter
				•	56482028	1	Safety Filter
				42	56002221	2	Scr Hex 5/16-18 x 1.00 (after SN 1326329)

* = Not Shown

***Note:** The old style air cleaner is no longer available, to replace order items **(38 – 42, reuse items 5 and 31)**.

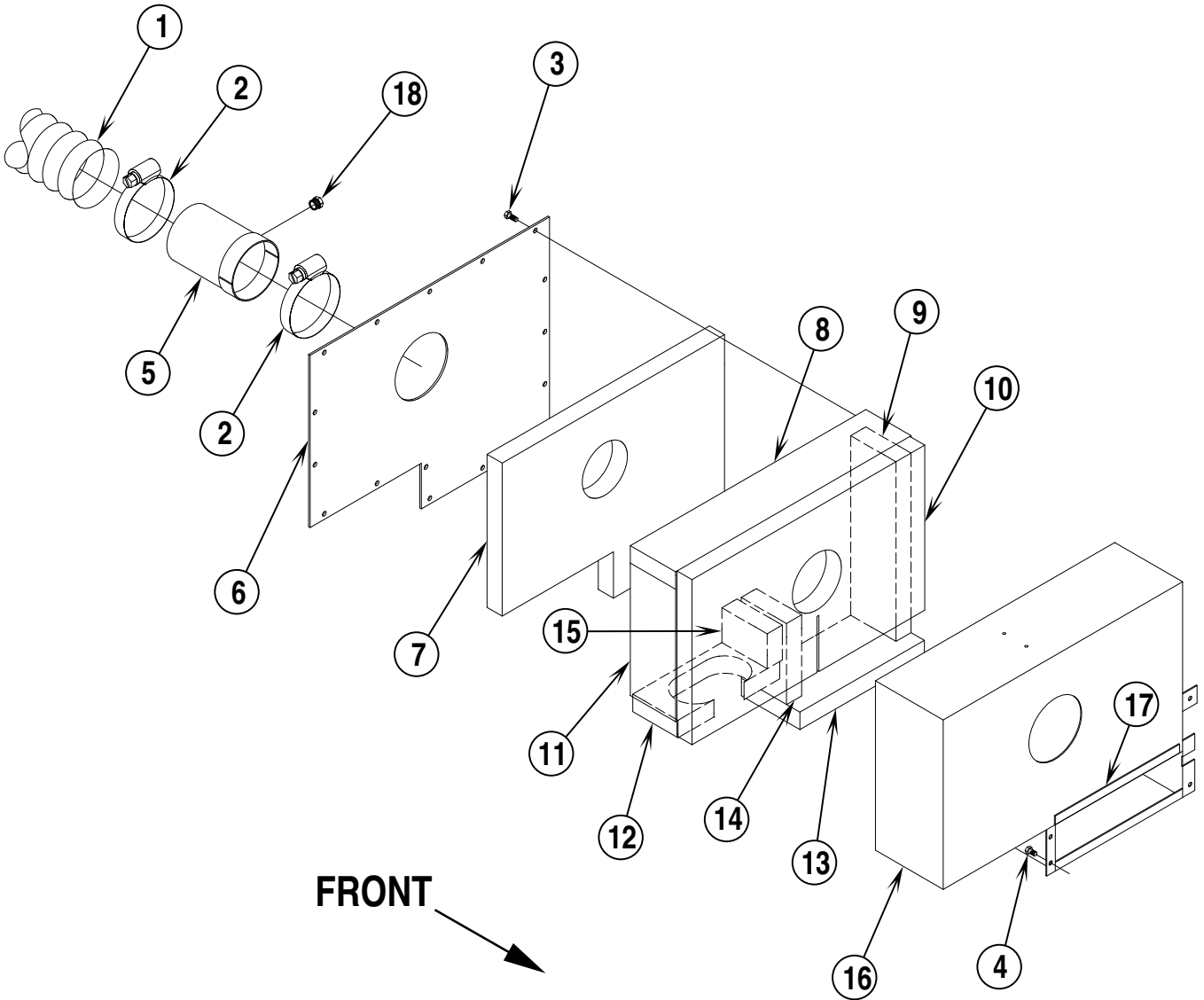
****Note 2:** To install Barb **(33)** to the new Air Cleaner **(41)** drill a 1/2" (13mm) dia. hole into the outlet tube of the air cleaner 90° from the Service Indicator port (as shown). Tap 1/4-18 NPT threads into the hole and screw the barb into the hole.

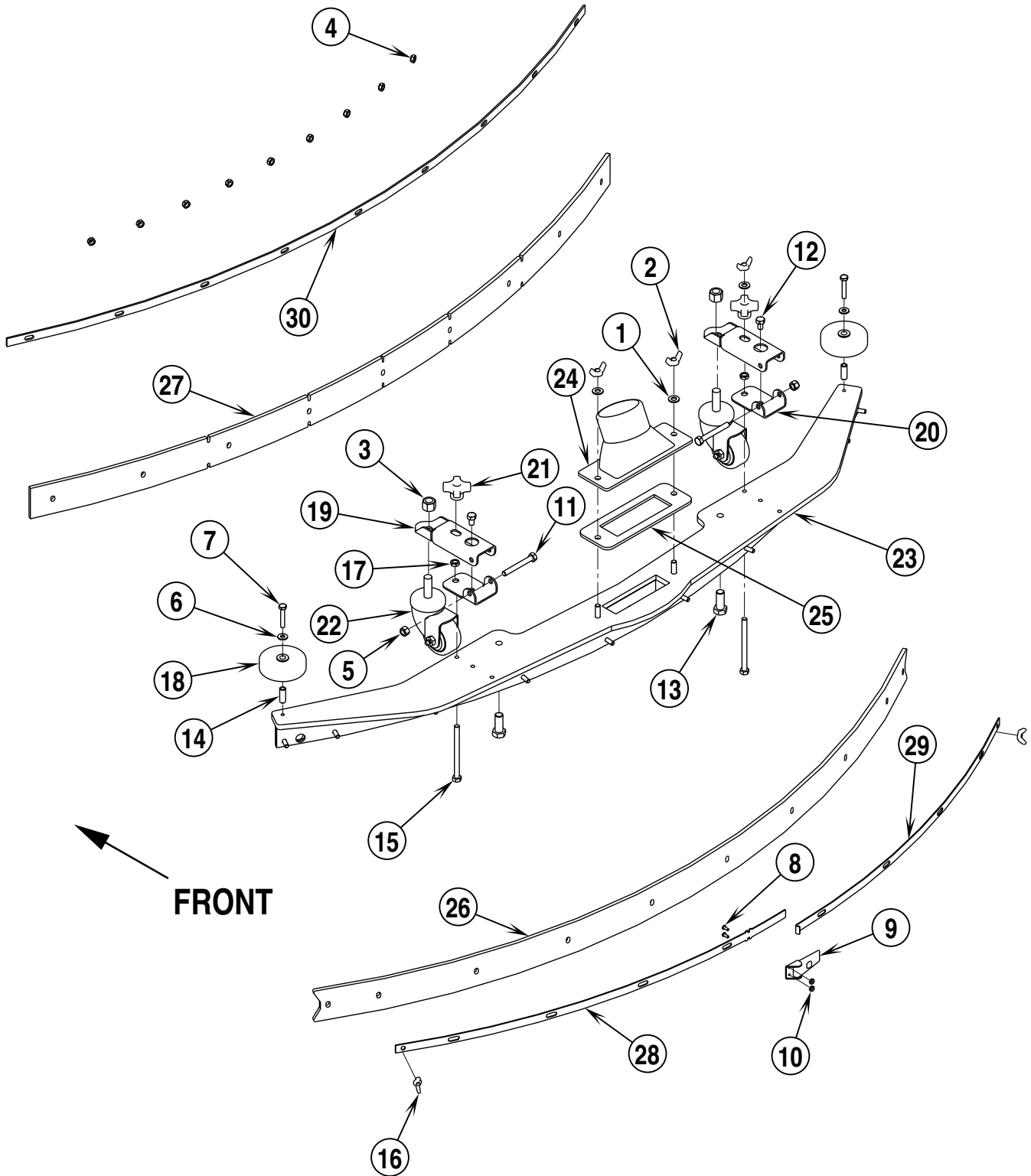


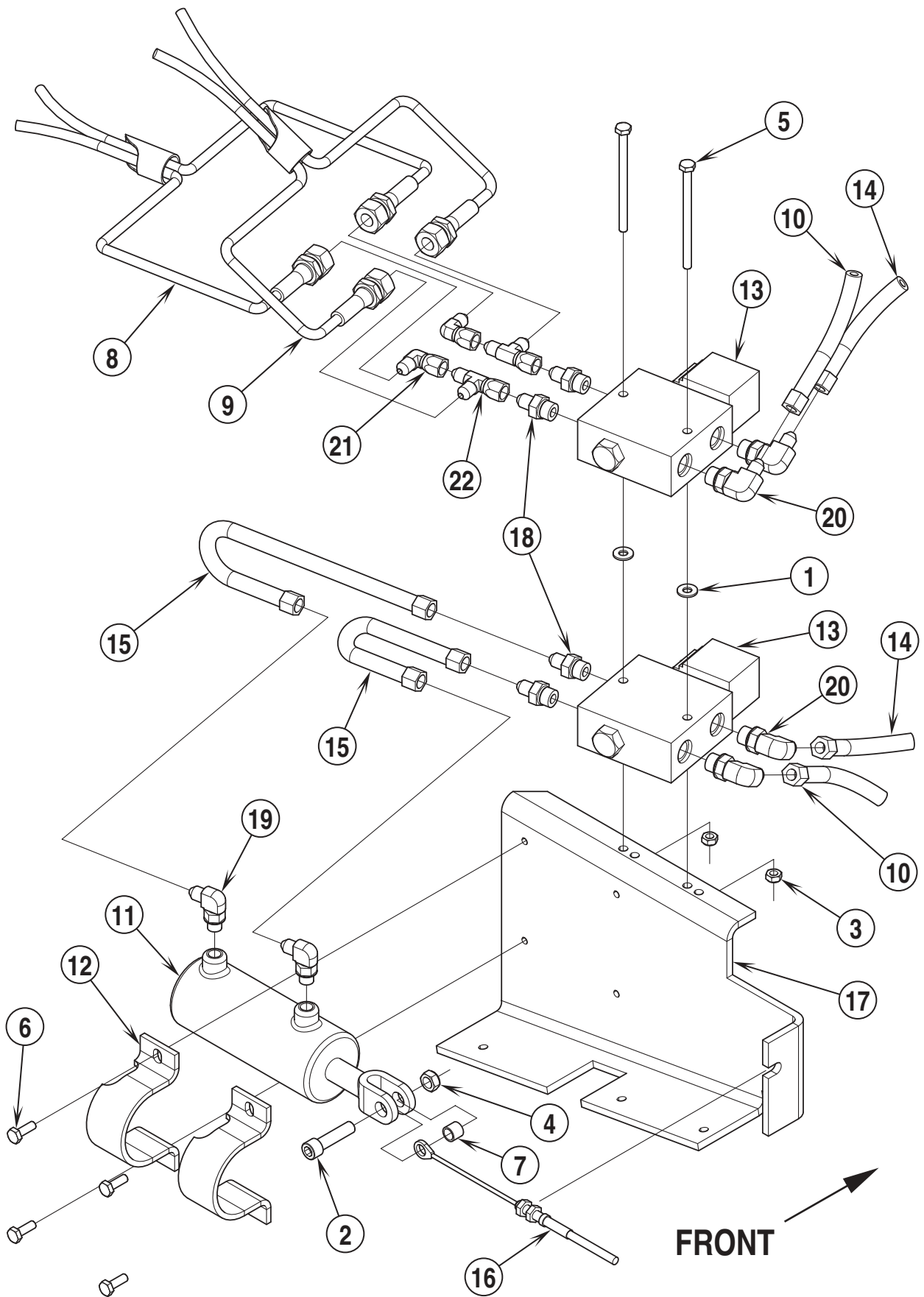
99-6	GOVERNOR ACTUATOR ASSEMBLY	BOOK E		
02-5	Hydro-Retriever™ 2052G/P / CR 1300G/P	E	9.6.1	19

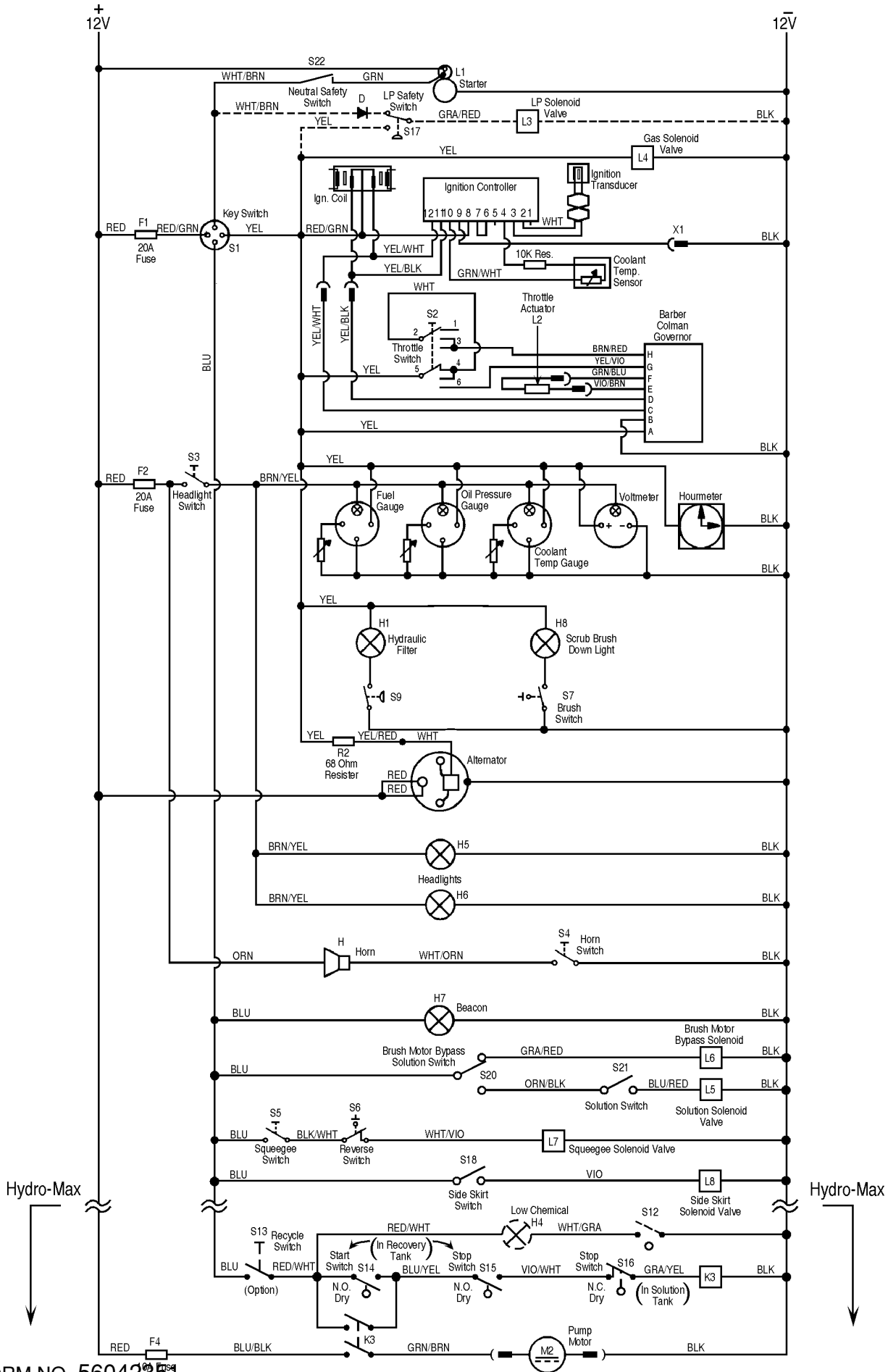
Item	Ref. No.	Qty	Description
	56455049	1	Actuator / Linkage Assembly (Propane / #1-12)
	56455052	1	Actuator / Linkage Assembly (Gas / #1-13 / before SN1563014)
1	56455291	2	Scr, Pan Phil 10-32 x .75 (quantity of 1 on Gas)
2	56455284	2	Rod End Bearing (quantity of 1 on Gas)
3	56455287	2	Lock Washer #10
4	56455290	4	Nut, Hex Nyl Loc #10-32
5	56455286	1	Thd Rod 10-32 x 2.00
6	56455283	1	Clevis
7	56455289	4	Nut, Hex Nyl Loc 1/4-28
8	56455285	4	Lock Washer 1/4
9	56455228	1	Bracket, Actuator Mounting (Propane)
	56455001	1	Bracket, Actuator Mounting (Gas)
10	56455292	1	Nut, Hex M6-1.00
11	56455822	1	Actuator Assembly
12	56455288	4	Scr, Soc SS 1/4-28 x .87
13	56100101	1	Ball Joint (Gas)

Item	Ref. No.	Qty	Description	Item	Ref. No.	Qty	Description
	56459251	1	Brush Drive Assembly (#1-69)	46	56001968	19	Scr, Hex Hd 1/2-13 x 1.50
1	56001906	17	Wsh, Flt STD 1/4	47	56002063	12	Wsh, Flt 3/8
2	56001821	2	Scr, Hex Hd 1/4-20 x .88	48	56455542	2	Screw
3	56448268	24	Bushing, Flange	49	56002843	21	Nut, Hex Nyl Loc-Thin 1/2-13
4	56002068	24	Wsh, Lock High Collar 3/8	50	56459442	1	Motor Mount Weld't.
5	56448271	24	Scr, Hex Hd 3/8-16 x 2.00	51	56459441	1	Bracket
6	56002156	4	Scr, Hex Hd 5/8-18 x 1.50	52	56550114	1	Left Gearcase Assy.
7	56362077	8	Pin, Dowel .25 x 1.25	53	56458870	1	Bracket Weld't., Left
8	56002093	1	Scr, Hex Hd 1/4-20 x 1.00	54	56367192	18	Washer .75 x 1.25 x .12
9	56459240	1	Plate	55	56441236	19	Nut, Spring Lock 1/2
10	56455517	2	Pipe Weld't.	56	56455469	1	Bracket Weld't.
11	56363189	4	Holder Casting	57	56453909	8	Bar, Parallel
12	56448263	4	Coupler, Lower	58	56455492	1	Bar Weld't.
13	56404381	1	Key, Sq. .25 x 3.00	59	56367168	19	Bearing, Sleeve .62
14	56002930	2	Scr, Soc Set Loc 1/4-20 x .38	60	56002256	8	Scr, Hex Hd 3/8-16 x 1.00
15	56462524	1	Pulley, Synchronous	61	56458872	1	Bracket Weld't., Right
16	56002841	6	Nut, Hex Nyl Loc-Thin 3/8-16	62	56001856	6	Scr, Hex Hd 1/4-20 x 2.25
17	56002155	3	Scr, Hex Hd 1/4-20 x .75	63	56458854	1	Strap
18	56104647	14	Thermoid Disc	64	56002701	2	Nut, Hex Nyl Loc 5/16-18
19	56009081	1	Nut, Hex Jam 1/4-20	65	56458051	1	Plate
20	56002684	10	Scr, Hex Hd 3/8-16 x 1.75	66	56151114	4	Washer .26 x .90 x .06
21	56455462	1	Weight	67	56366463	4	Spring Retainer
22	56002663	2	Scr, Hex 3/8-16 x 1.00	68	56002011	8	Washer, Shprf #10
23	56002037	4	Scr, Hex Hd 5/16-18 x .88	69	56367206	19	Bushing .50 x .62 x .53
24	56900114	2	Elbow 90° 3/4-16	70	56455548	1	Yoke
25	56009016	1	Nut, Hex Jam 1/2-13	71	56455570	1	Pin
26	56002217	1	Scr, Hex Thd to Hd 1/2-13 x 3.00	72	56449748	1	Cylinder
27	56479606	1	Motor, Scrub Brush TSB 739	73	56448119	1	Spring
*	56479577	1	Seal Kit (for 56479606)				
28	56100040	1	Pulley, Synchronous	**	56505761	4	Magna-Grit 46 Brush
29	56463880	1	Belt, Synchronous TSB 832	**	56505762	4	Dyna-Grit 80 Brush
30	56477625	2	Shim	**	56505763	4	Aglite Grit 500 Brush
31	56001858	3	Scr, Hex Hd 3/8-16 x 1.25	**	56505764	4	Prolene Brush
32	56462345	1	Split Taper Bushing	**	56505765	4	Prolite Brush
33	56462527	2	Universal Casting	**	56505766	4	Union Mix Brush
34	56442135	1	Key, Sq. .25 x 1.63	**	56505767	4	MidGrit 240 Brush
35	56001826	4	Scr, Soc Set Loc 5/16-18 x .50	**	56505768	4	MidLite 180 Brush
36	56002840	5	Nut, Hex Nyl Loc-Thin 1/4-20	**	56505760	4	Pad Holder
37	56002043	12	Scr, Pan Hd 10-24 x .38	**	56451123	1	Scarifier Kit
38	56366455	4	Stop, Plate	**	56451124	1	Grinding Kit
39	56456809	1	Bracket Weld't.				
40	56456815	1	Bracket Weld't.				
41	56001878	4	Scr, Hex Hd 1/4-20 x 1.25	** = Optional Accessory			
42	56453907	7	Weight, Casting	* = Not Shown			
43	56550115	1	Right Gearcase Assy.				
44	56367214	35	Washer .51 x .93 x .07				
45	56002571	2	Pin, Spring .25 x 1.75				









CLICK HERE TO **DOWNLOAD** THE COMPLETE MANUAL

- Thank you very much for reading the preview of the manual.
- You can download the complete manual from: www.heydownloads.com by clicking the link below



- Please note: If there is no response to CLICKING the link, please download this PDF first and then click on it.

CLICK HERE TO **DOWNLOAD** THE COMPLETE MANUAL