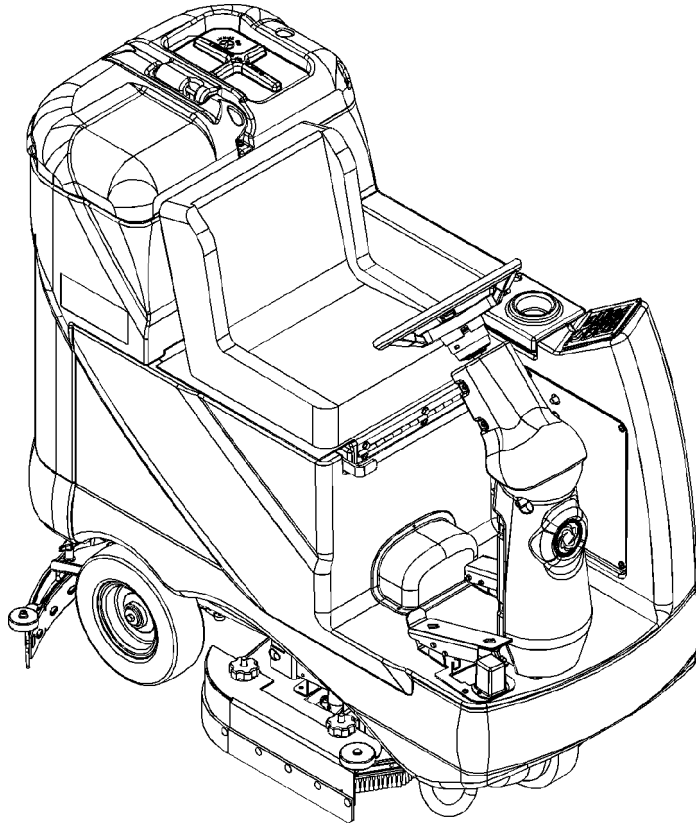


Advenger™, Advenger™ AXP

BR 600S, 650S, 700S, 800S



PARTS LIST

Advance MODELS 56314000(2400D), 56314001(2600D), 56314002(2810D),
56314003(3210D), 56314004(2400C), 56314005(2600C), 56314006(2810C),
56314007(3210C), 56314791(2600D-AXP), 56314994(2810C-AXP),
56314992(2810D-AXP), 56314995(3210C-AXP), 56314993(3210D-AXP)
Nilfisk MODELS 56314010(600S), 56314011(650S)(obs.), 56314012(700S),
56314013(800S), 56314014(600SC), 56314015(650SC)(obs.), 56314016(700SC),
56314017(800SC), 56316517(600S EDS), 56316518(600SC EDS), 56314998(700SC EDS),
56314996(700S EDS), 56314999(800SC EDS), 56314997(800S EDS)



**Nilfisk
Advance**

setting standards

1/03 revised 9/08 FORM NO. 56042438

CLICK HERE TO **DOWNLOAD** THE COMPLETE MANUAL

- Thank you very much for reading the preview of the manual.
- You can download the complete manual from: www.heydownloads.com by clicking the link below



- Please note: If there is no response to CLICKING the link, please download this PDF first and then click on it.

CLICK HERE TO **DOWNLOAD** THE COMPLETE MANUAL

Item	Ref. No.	Qty	Description
1	56002733	1	Scr, Pan Phil 10-24 x .88
2	56002768	1	Nut, Hex Nyl Loc 10-24 (Advance only)
3	56003358	1	Scr, Hex M6-1.00 x 25mm
4	56003403	6	Nut, Hex Nyl Loc M6-1.00
5	56003428	4	Scr, Hex M6-1.00 x 75mm
6	56009030	2	Scr, Pan Phil Thd Form 10-24 x .38
7#	56009060	5	Wsh, Flt SS .260 x 1.000 x .074
8	56324505	1	Bearing, Flange
9#	56380440	1	Bushing, M6 x .375 x .295
10#	56380438	2	Spacer, Spring
11	56409471	1	Lever, Throttle
12	56409610	1	Link Weldment
13	56412094	1	Housing, Potentiometer
14	56454740	1	Potentiometer, 5K (R1)
15	56314037	1	Spring, Torsion
16#	NA	1	Bracket, Foot Pedal NOTE 1
17#	NA	1	Foot Pedal NOTE 1
18#	56314121	1	Bracket, Brake (Before SN 2062591) NOTE 2
#	56314677	1	Bracket, Brake (After SN 2062591)
19	56314122	1	Lock, Brake
20	56314138	1	Mat, Pedal
21	56314176	1	Mat, Pedal
22#	56314463	1	Pedal Weldment (Before SN 2062591) NOTE 2
#	56314678	1	Pedal Weldment (After SN 2062591)
23	56412331	1	Wire Assy.
24	56756318	2	Bearing, Flange
25#	56002098	4	Wsh, Flt SAE 1/4
26	56003119	7	Scr, Pan Phil SS 1/4-20 x .50
27#	56380439	1	Bushing
28	56003174	1	Scr, Hex Thd to Hd M6-1.0 x 16mm
29	56003268	1	Ring, Ret Ext Type E Reinf. 0.25 Dia
30#	56009025	1	Wsh, Flt .266 x .750 x .036
31#	56413421	1	Pedal Assy

= Revised or new since last update

NOTE 1: If you need to replace either of these items please order Pedal Assembly 56413421.

#NOTE 2: If you need to replace either of these items on machines before SN (2062591) please order Brake Pedal Assembly 56314676.

Item	Ref. No.	Qty	Description	Item	Ref. No.	Qty	Description
1	56002938	18	Wsh, Flt SAE SS 5/16	42	56314218	2	Shaft, Hub Mount
2	56003246	2	Key, Sq .25 x 1.62	43	56314261	2	Skirt Bracket, Forward (26" & 28" / BR 650S & BR 700S only)
3	56003335	4	Scr, Hex Loc SS 5/16-18 x .88	44			Intentionally Omitted
4	56003405	6	Nut, Hex Nyl Loc SS M8-1.25	45	56314294	1	Pin, Hitch Cotterless
5	56003426	12	Nut, Hex Nyl Loc SS M6-1.00 (qty 8 on 24")	46	56314310	1	Coupling, Quick Disconnect, Male (only before TSBUS2005-888)
6	56003431	8	Scr, Hex Hd SS M6-1.00 x 16mm	47	56314349	1	Skirt Assy, Left (before TSBUS2004-884) NOTE 4 (24", 26", 28" / BR 600S, BR 650S, BR 700S)
7	56003443	4	Scr, Hex Hd SS M6-1.00 x 20mm (26" & 28" / BR 650S & BR 700S only)		56314885	1	Skirt Assy, Left (after TSBUS2004-884) NOTE 5 (24", 26", 28" / BR 600S, BR 650S, BR 700S)
8	56003477	6	Scr, Hex Loc SS M8-1.25 x 25mm	48	56314350	1	Skirt Assy, Right (All Models / before TSBUS2004-884) NOTE 4
9	56003671	2	Pin, Ring .50 x 1.25		56314884	1	Skirt Assy, Right (All Models / after TSBUS2004-884) NOTE 5
10	56009019	2	Scr, Hex Thd Form 1/4-20 x .38	49	56314359	2	Key, 6mm Sq. NOTE 4
11	56009030	6	Scr, Pan Phil Thd Form 10-24 x .38	50	-		See Disk Deck Blade Kits below
12	56009057	4	Wsh, Flt Harden .344 x 1.000 x .120/.135	51	56314499	2	Cover, Gearbox NOTE 4
13	56009062	4	Scr, Pan Phil Thd Form 1/4-20 x .50	52	56392277	1	Tube, Solution
14	56009086	4	Nut, Hex Jam 5/16-18	53	56314108	2	Hub, Drive
15	56009096	2	Wsh, Flt .193 x .875 x .060	54	56397300	1	Tee, Barb
16	56249280	2	Tee, Barb	55	56401783	2	Leg Leveler, 5/16-18
17	56366455	2	Plate, Stop	56	56412187	2	Hose, Spiral .375
18	56366463	2	Spring Retainer	57	56002768	2	Nut, Hex Nyl Loc 10-24 (Advance only)
19	56385564	2	Clamp, P	58	56002959	2	Pin, Cotter Hair
20	56393303	1	Lift Actuator, Brush (M1)				
*	56388520	1	Plastic Nut				
21	56407053	4	Thermoid Disk				
22	56407114	4	Knob TSBUS2007-963				
23	56314030	2	Brush Holder				
24	56407334	4	Knob				
25	56412071	1	Compression Spring				
26	56412262	1	Housing, Spring				
27	56420018	1	Compression Spring				
28	56420019	1	Nut Retainer				
29	56420020	1	Nut Retainer				
30	56003211	16	Scr, Hex Hd SS M6-1.00 x 12mm				
31	56003263	18	Rivet, Nylon Tree Push-In				
32	56003639	6	Scr, Hex Hd SS M8-1.25 x 30mm				
33	56003657	4	Nut, Hex Jam M12-1.75				
34	56003658	4	Scr, Hex Thd To Hd SS M12-1.75 x 70mm				
35	56412189	1	Hose, Spiral .375				
36	56249682	1	Tube, Solution				
37	56262180	1	Tube, Spiral .375				
38	56314053	2	Bracket, Motor				
39	56314081	1	Weld't, Disk Deck (24", 26", 28" / BR 600S, BR 650S, BR 700S)				
40	-		See Disk Deck Blade Kits below				
41	56314139	1	Motor Gearbox Assy (24" / BR 600S / M7)				
	56314140	1	Motor Gearbox Assy (26" / BR 650S / M7)				
	56314141	1	Motor Gearbox Assy (28" / BR 700S / M7)				
*	56314359	2	Key, 6mm Square				
*	56314499	2	Cover, Gearbox				
*	56314560	2	Gearbox				
*	56314580	1	Bearing (Fan End)				
*	56412323	1	Bearing (Brush End)				
*	56314582	1	Brush Ring				
*	56314583	4	Carbon Brush				
#		1	Deleted				

= Revised or new since last update

* = Not Shown

** = Optional

NOTE: See "BRUSH SELECTOR GUIDE" at back of manual for available scrub brushes.

NOTE 2: Disk Deck Blade Kits include the mounting fasteners (Rivet, Nylon Tree Push-In 56003263 item 31), the two blades (items 40 & 50) and two blades for use in Skirt Assemblies (items 47 & 48).

NOTE 3: These Disk Deck Blade Kits include just the blades for use in the two Skirt Assemblies.

NOTE 4: See "SKIRT ASSEMBLIES-DISK (before TSBUS2004-884)".

NOTE 5: See "SKIRT ASSEMBLIES-DISK (after TSBUS2004-884)".

Item	Ref. No.	Qty	Description	Item	Ref. No.	Qty	Description
1	56001939	4	Wsh, Flt SAE 5/16	46	56314072	1	Control Panel Assy (before TSBUS2006-922)
2	56001954	3	Wsh, Flt SAE #10		56316109	1	Control Panel Assy (after TSBUS2006-943)
3	56009206	4	Scr, Truss Phil-Blk 10-24 x .50	*	56314713	1	Membrane Switch Assy TSBUS2006-932
4	56002035	8	Scr, Hex Hd 5/16-18 x .62	*	56396188	1	Switch, Key
5	56002043	3	Scr, Pan Phil 10-24 x .38	*	56396189	1	Key, Spare
6	56002066	3	Scr, Pan Phil 1/4-20 x .62	47	56314153	1	Tee NOTE 3
7	56002098	11	Wsh, Flt SAE 1/4		56314758	1	Tee, Barb NOTE 4
8	56002108	1	Scr, Pan Phil 1/4-20 x 2.00	48	56314759	1	Bracket, Valve (Before TSBUS2004-874) (Advance only)
9	56002507	2	Scr, Pan Phil 1/4-20 x .75		56314882	1	Bracket, Valve (After TSBUS2004-874)
10	56002589	1	Scr, Hex Hd 6-32 x .50	49	56314155	5	Clamp, Cable
11	56002674	5	Scr, Pan Phil 10-24 x 1.00	50	56314608	4	Clamp, Cable
12	56002171	4	Scr, Pan Phil 10-24 x 2.00	51	56314213	1	Cover, Actuator NOTE 7
13	56002793	2	Scr, Pan Phil 5/16-18 x .75		56314975	1	Cover, Actuator Closed NOTE 8
14	56002826	1	Nut, Hex Nyl Loc-Thin 5/16-18	52	56314292	1	Bar, Disconnect
15	56002830	1	Nut, Hex Nyl Loc 6-32	53	56316526	1	Tank Mount Bracket
16	56002840	3	Nut, Hex Nyl Loc-Thin 1/4-20	54	56314221	1	Weld't, Seat Mount NOTE 2, NOTE 7
17	56002900	5	Scr, Pan Phil SS 10-24 x .50		56314951	1	Weld't, Seat Mount NOTE 8
18	56002997	3	Scr, Pan Phil 1/4-20 x 1.75	55	56314223	1	Prop Rod
19	7-82-00050	1	Switch (S2)	56	56314971	1	Harness, Main (before TSBUS2006-922)
20	56003178	3	Scr, Hex M8-1.25 x 16mm		56316114	1	Harness, Main (after TSBUS2006-922)
21	56003268	3	Ring, Ret Ext Type E Reinf. .25 Dia.	57	56314253	1	Charge Connector Assy
22	56003389	3	Nut, Hex Nyl Loc M8-1.25	58	56314264	1	Hinge Bracket
23	56009002	2	Wsh, Flt .266 x .906 x .060	59a	56314311	1	Coupling, Quick Disconnect Female (before TSBUS2005-888)
24	56009122	4	Wsh, Flt .344 x .938 x .125	59b	56314904	1	Tube (after TSBUS2005-888)
25	56009205	4	Wsh, Flt SS #10	60	56314401	1	Bracket, Water Valve (Before TSBUS2004-874) (Advance only)
26	56219932	4	Clamp, Hose SAE #6		56314881	1	Bracket, Water Valve (After TSBUS2004-874)
27	56255076	1	Cap, Pipe GHT Nylon	61	56314532	1	Panel, Battery Box
28	56344265	1	Clamp, Cable	62	56314538	1	Strainer NOTE 3
29	56368776	1	Washer, Rubber		56314756	1	Strainer NOTE 4
30	56372673	2	Boot, Battery Post	63	56386182	1	Hose, Spiral .50ID x 26.0
31	56409152	1	Barb, 90 Elbow, 1/2 x 1/2NPT NOTE 3	64	56397189	1	Spacer
	56314757	1	Barb, 90 Elbow 3/4 x 1/2NPT NOTE 4	65	56397215	1	Solenoid Valve Assy, 36V (L1)
32	56412196	1	Hinge NOTE 7	66	56397508	1	Charge Connector Assy
	56314973	1	Hinge NOTE 8 (Advance only)	67	56264318	1	Hose, Spiral .500 NOTE 3
33	56412273	1	Barb, Adapter, 1/2 x 3/4GHT NOTE 3		56263218	1	Hose, .75 Clear PVC NOTE 4
	56900273	1	Barb NOTE 4	68	56442003	1	Clamp, P
34	56468553	1	Bushing, .27 x .37 x 1.30	69	56314339	1	Kit, Battery Connector (includes items 70-73) (Advance only) NOTE 1
35	56469380	1	Clamp, P	70	56456460	4	Cable, Battery
36	56478246	2	Tie, Cable	71	56478246	10	Tie, Cable
37	56003003	1	Scr, Pan Phil 5/16-18 x .62	72	56372673	10	Boot, Battery Post
38	56046309	2	Spacer, Phenolic	73	56441600	1	Cable, Battery
39	56050872	1	Spacer, Phenolic	74	56001993	2	Scr, Pan Phil 10-24 x .50 NOTE 4
40	56314899	1	Valve, Ball	75	56314755	1	Valve, Solution NOTE 4
41	56262180	1	Hose, Spiral .50ID x 7.00	76	56112771	4	Clamp, Hose SAE #10 NOTE 4
42	8-69-00022	1	Seat NOTE 5		56219932	4	Clamp, Hose SAE #6 NOTE 3
43	56314049	1	Solution Tank NOTE 7 (Advance only)	77	56410162	1	Hose, Spiral .75 ID x 7.00 NOTE 4
	56314940	1	Solution Tank NOTE 8		56262180	1	Hose, Spiral .50 ID x 7.00 NOTE 3
44	56314066	1	Cover, Solution Tank, Assy	*	56314119	1	Battery Spacer (Advance only)
45	56314069	1	Gasket	78#	56264318	1	Hose, Spiral .500
				79#	56111385	1	Hose, Spiral .500

* = Not Shown

= Revised or new since last update

NOTE 1: For Advance models "Battery Connector Kit" (56314339) is included with machine. For Nilfisk models battery cables are not included (after SN 1688856), but "Battery Connector Kit" (56314326) can be ordered separately if battery connectors are desired.

NOTE 2: Seat Weldment 56314221 was modified as of serial #1726172 to accommodate Onboard Charger Kit 56314753.

NOTE 3: Used on machines built before serial number chart "A".

NOTE 4: Used on machines built after serial number chart "A".

NOTE 5: Seat 56314035 is obsolete and replaced by 8-69-00022 in production. Order Seat kit 56109292 to replace in the field.

NOTE 6: Used on machines built after serial number chart "B".

NOTE 7: Used on machines built before TSBUS2005-896.

NOTE 8: Used on machines built after TSBUS2005-896.

NOTE 3 & 4**SERIAL NUMBER CHART "A"**

1750239 - Advenger 2400D
 1757986 - Advenger 2810D
 1757999 - Advenger 3210D
 1759162 - Advenger 2400C
 1750252 - Advenger 2600C
 1758000 - Advenger 2810C
 1758002 - Advenger 3210C
 1752024 - BR 600S
 1752041 - BR 700S
 1752046 - BR 800S
 1752052 - BR 600SC
 1752054 - BR 700SC
 1753522 - BR 800SC

NOTE 5 & 6**SERIAL NUMBER CHART "B"**

1837726 - Advenger 2400D
 1839732 - Advenger 2600D
 1837203 - Advenger 2810D
 1837599 - Advenger 3210D
 1839732 - Advenger 2400C
 1839732 - Advenger 2810C
 1837200 - Advenger 2810C
 1837197 - Advenger 3210C
 1837616 - BR 600S
 1837623 - BR 700S
 1839156 - BR 800S
 1837650 - BR 600SC
 1837652 - BR 700SC
 1839732 - BR 800SC

03-1

BATTERY WATERING SYSTEM

08-3

Advenger™ / BR 600S, 650S, 700S, 800S

39

Item	Ref. No.	Qty	Description
	56314974	1	Battery Watering System (items 1-2) (Standard on Advance Detergent Injection Models) (Advance only)
	56314981	1	Battery Watering Kit (includes 56314974) (Advance only)
1	56314978	1	Pump (Advance only)
2	56314979	1	Manifold Assembly (Advance only)

CLICK HERE TO **DOWNLOAD** THE COMPLETE MANUAL

- Thank you very much for reading the preview of the manual.
- You can download the complete manual from: www.heydownloads.com by clicking the link below



- Please note: If there is no response to CLICKING the link, please download this PDF first and then click on it.

CLICK HERE TO **DOWNLOAD** THE COMPLETE MANUAL