



---

# PARTS CATALOG

---

LOADER BACKHOE

**B95LR**

---

CLICK HERE TO **DOWNLOAD** THE COMPLETE MANUAL

- Thank you very much for reading the preview of the manual.
- You can download the complete manual from: [www.heydownloads.com](http://www.heydownloads.com) by clicking the link below



- Please note: If there is no response to CLICKING the link, please download this PDF first and then click on it.

CLICK HERE TO **DOWNLOAD** THE COMPLETE MANUAL

---

# TABLE OF CONTENTS

---

394	01	ISO 2 LEVER BACKHOE CONTROLS, LEVERS, BOOT & DECALS (CENTER PIVOT)
394	02	ISO 2 LEVER BACKHOE CONTROLS, TIE-ROD ASSEMBLY (CENTER PIVOT)
394/ 1	01	4 LEVER BACKHOE CONTROLS, CONSOLE, LEVERS & BELLCRANK (CENTER PIVOT)
394/ 1	02	4 LEVER BACKHOE CONTROLS, UPPER TIE-ROD ASSEMBLY, CENTER PIVOT
394/ 1	03	4 LEVER BACKHOE CONTROLS, LOWER TIE-ROD ASSEMBLY (CENTER PIVOT)
622	01	INTERNAL FAN
646/1	01	MACHINE PART AIR CONDITIONING SET
646/1	02	A/C COMPRESSOR ATTACHING GROUP
646/1	03	A/C COMPRESSOR
646/1	04	A/C FILTER & CONDENSER ATTACHING GROUP
646A	01	A/C COMPRESSOR ATTACHING GROUP
650	01	STEERING COLUMN, FIXED & ADJUSTABLE
705	01	SEAT BELTS, 2" & 3"
758	01	ROTATING BEACON
782	01	FRONT CONSOLE WITH SPEEDOMETER, 4WD
787/ 1	01	FRONT CONSOLE WITHOUT SPEEDOMETER (CAB)
787/ 2	01	FRONT CONSOLE WITHOUT SPEEDOMETER (CAB)
788/ 1	01	FRONT CONSOLE WITH SPEEDOMETER, 4WD
788/ 2	01	FRONT CONSOLE WITH SPEEDOMETER, 4WD
789	01	SPEED SENSOR(P.SHUTTLE)
791	01	RH CONSOLE WITH INSTRUMENTS
792	01	RH CONSOLE WITH INSTRUMENTS AND DIAGNOSTICS
795	01	RH CONSOLE WITH INSTRUMENTS AND DIAGNOSTICS
796	01	ANTITHEFT
851/ 2	01	CLOTH SEAT & ATTACHING HARDWARE - CABINE
855/ 2	01	AIR RIDE CLOTH SEAT & ATTACHING HARDWARE - CABINE
856	01	VINYL SEAT CUSHIONS, ARMRESTS & RELATED PARTS (ROPS)
856/ 1	01	VINYL SEAT WITH ARMRESTS & MOUNTING HARDWARE (ROPS)
856/ 1	02	VINYL SEAT MOUNTING PLATE, ADJUSTING RAILS & SEAT BELT (ROPS)
856/ 1	03	VINYL SEAT UPPER SUSPENSION PARTS (ROPS)
856/ 1	04	VINYL SEAT LOWER SUSPENSION PARTS (ROPS)
856/ 2	01	VINYL SEAT CUSHIONS, ARMRESTS & RELATED PARTS (ROPS)
990	01	TOOL KIT
993	01	SAFETY PLATES - USA
SEC. 11	00	WHEELS
81.00	01	FRONT WHEELS, 2WD
82.00	01	DRIVING WHEELS(4WD)
83.00	01	DRIVE WHEELS
SEC. 18	00	VARIATION
535	01	STABILIZER FOOT GROUND (CENTER PIVOT)
535/ 1	01	STABILIZER FOOT STREET PAD (CENTER PIVOT)
536	01	REVERSIBLE STABILIZER FOOT (CENTER PIVOT)
537	01	STABILIZER FOOT STREET PAD (CENTER PIVOT)
628	01	4WD STEERING LOCK
803	01	FENDERS, FRONT
848	01	BATTERY CONNECTION

---

## SECTION INDEX

---

SEC. 01	00	ENGINE 1/2
SEC. 01	01	ENGINE 2/2
0.021	01	ENGINE
0.040	01	CYLINDER BLOCK
0.040	02	CYLINDER BLOCK
0.042	01	OIL PUMP, PAN
0.043	01	CYLINDER BLOCK - COVERS
0.043	02	CYLINDER BLOCK - COVERS
0.043	03	CYLINDER BLOCK - COVERS
0.045	01	BREATHER - ENGINE
0.060	01	CYLINDER HEAD
0.063	01	CYLINDER HEAD - COVERS
0.066	01	CYLINDER HEAD - VALVE MECHANISM
0.071	01	MANIFOLD - INTAKE
0.077	01	MANIFOLD - EXHAUST
0.080	01	CRANKSHAFT
0.081	01	PISTONS - CONNECTING ROD
0.082	01	PISTONS - CONNECTING ROD
0.083	01	FLYWHEEL - ENGINE
0.084	01	PULLEY - CRANKSHAFT
0.105	01	DYNAMIC BALANCER, GEARS & SHAFTS
0.105	02	DYNAMIC BALANCER, GEARS & SHAFTS (2831300)
0.120	01	CAMSHAFT
0.140	01	FUEL INJECTION PUMP
0.140	02	FUEL INJECTION SYSTEM
0.142	01	FUEL INJECTION SYSTEM
0.149	01	FUEL INJECTION SYSTEM
0.200	01	FUEL FILTER
0.201	01	FUEL PUMP
0.203	01	FUEL INJECTION SYSTEM
0.204	01	FUEL INJECTION SYSTEM
0.240	01	TURBOCHARGER
0.270	01	ENGINE, OIL
0.270/A	01	ENGINE, OIL
0.300	01	OIL PUMP - ENGINE
0.302	01	OIL FILTERS - ENGINE
0.305	01	PIPING - ENGINE OIL
0.315	01	OIL FILTER AND COOLER
0.320	01	WATER PUMP
0.323	01	COOLING SYSTEM - ENGINE
0.326	01	THERMOSTAT - ENGINE COOLING SYSTEM
0.340	01	WATER PUMP - CONTROL
0.345/A	01	FAN DRIVE
0.350	01	POWER TAKE-OFF
0.360	01	STARTER MOTOR
0.400	01	ALTERNATOR
0.450	01	ENGINE - LIFT HOOK
636A	01	ACCESSORY ENGINE
636A	02	ACCESSORY ENGINE - VENTILATOR
636A	04	ACCESSORY ENGINE - ALTERNATOR
636A	05	ACCESSORY ENGINE - BRACKET MUFFLER
636A	06	ACCESSORY ENGINE - STARTER

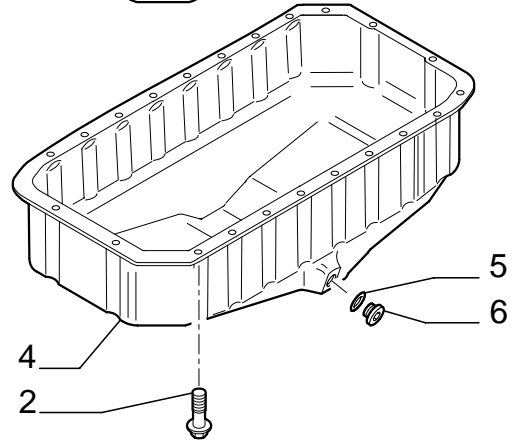
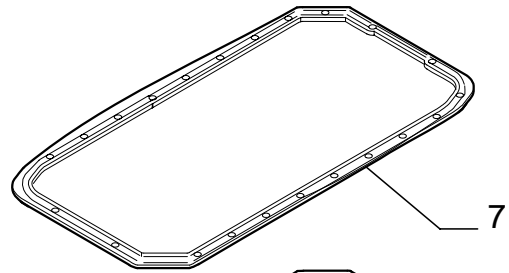
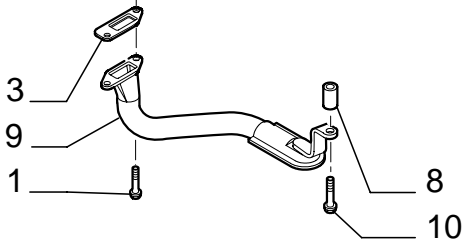
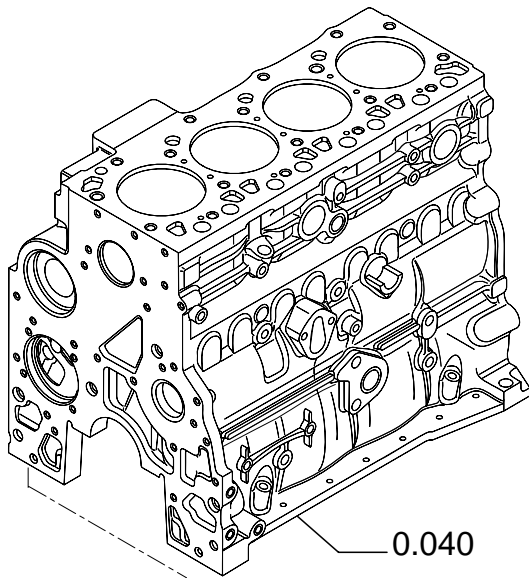
0.042

01

p1

12/05

OIL PUMP, PAN



**CYLINDER HEAD**

REF	FN	PART NUMBER	YR/SN	QTY	DESCRIPTION
1		4892861		4	SCREW M12X1.75X73
2		4892859		10	SCREW M12X1.75X143
3		4895790		1	CYLINDER HEAD - ASSY
4		4895183		16	COTTER, ROCKER ARM
5		4895188		4	VALVE, ENG EXHAUST, STD
6		4895187		4	VALVE, ENGINE, INLET, STD
7		4895347		8	CUP
8		4895215		8	SPRING
9		4895184		8	CUP
10		4899009		1	PLUG - ASSY 10X1.5
11		4899072		1	O-RING
12		4895179		3	PLUG
13		4897178		4	VALVE SEAT
14		4897179		4	VALVE SEAT
15		2830919		1	GASKET, CYLINDER HEAD SP= 1.25
16		4895078		5	PLUG

--

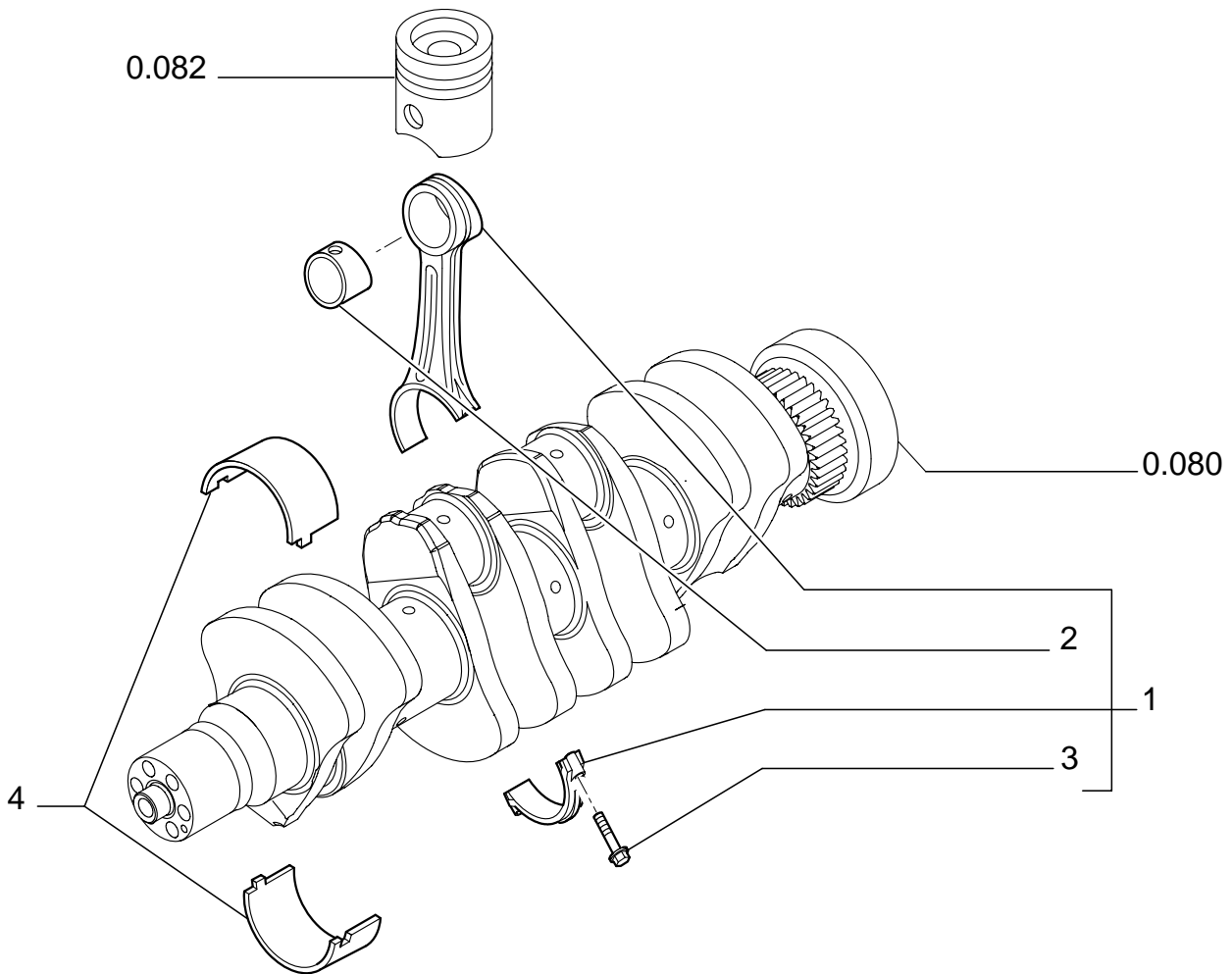
**0.081**

01

p1

12/05

PISTONS - CONNECTING ROD



DYNAMIC BALANCER, GEARS & SHAFTS (2831300)

REF	FN	PART NUMBER	YR/SN	QTY	DESCRIPTION
1		2831305		1	DOWEL
2		4899027		2	DOWEL
3		2830948		1	SHAFT, IDLE
4		2830905		1	PLATE, THRUST
5		{2831303}		1	
6		{2831304}		1	
7		4891209		2	DOWEL
8		4895323		12	SCREW

--

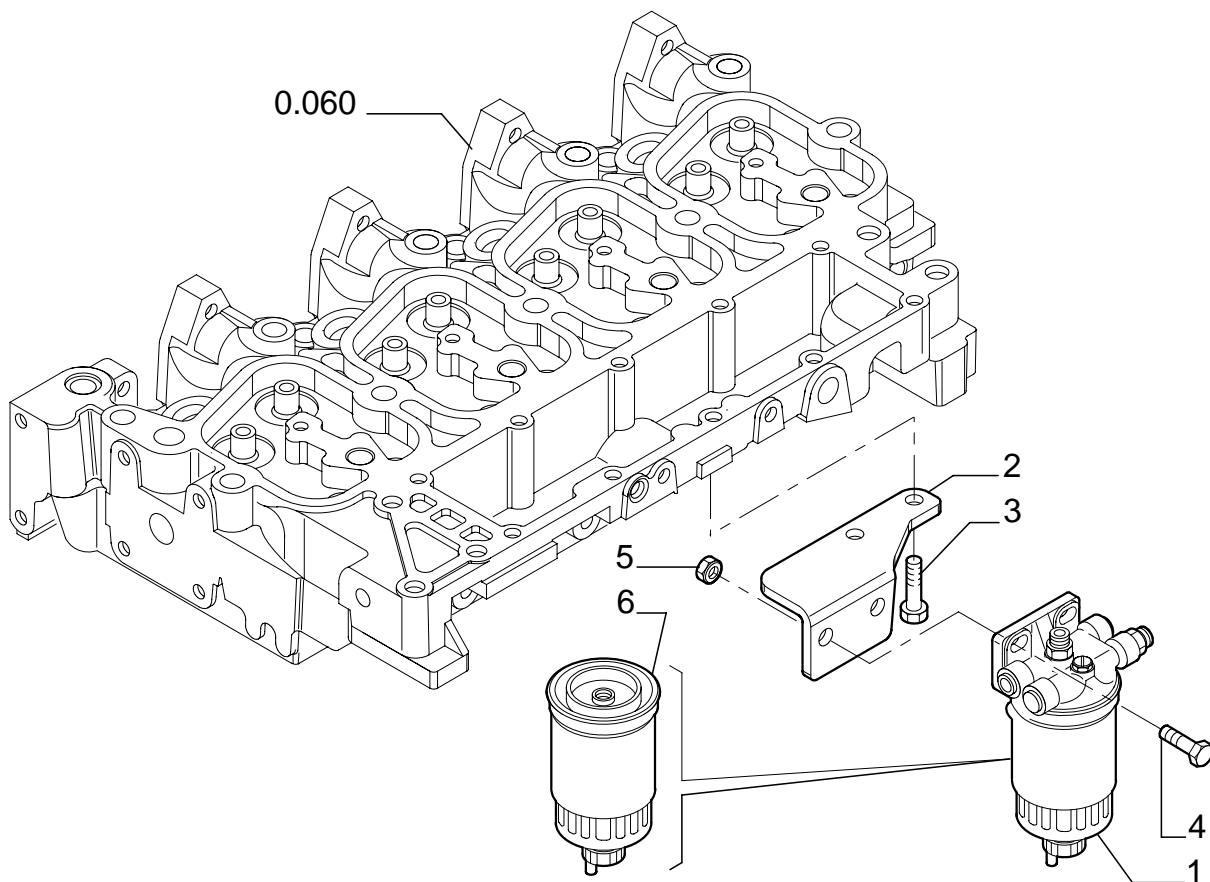
**0.200**

01

p1

12/05

FUEL FILTER



ENGINE, OIL

REF	FN	PART NUMBER	YR/SN	QTY	DESCRIPTION
1		504011329		1	TUBE, RIGID
2		504062795		1	DIPSTICK
3		4899036		1	PLUG
4		4897330		2	PLUG - ASSY
5		4895610		1	O-RING
6	1	504011338		1	TUBE, RIGID
7		16587924		2	SCREW
8		17283181		1	O-RING
9	1	98429552		1	CAP, INTRODUCTION
10		504036358		1	CONNECTOR, HYD.
11		4899115		1	O-RING
12	2	98442879		1	SWITCH
12	3	98445111		1	SWITCH

- (1) UP TO S/N ENGINE 148474
- (2) Version : SIPEA
- (3) Version : BORLETTI

UP TO S/N ENGINE 148474

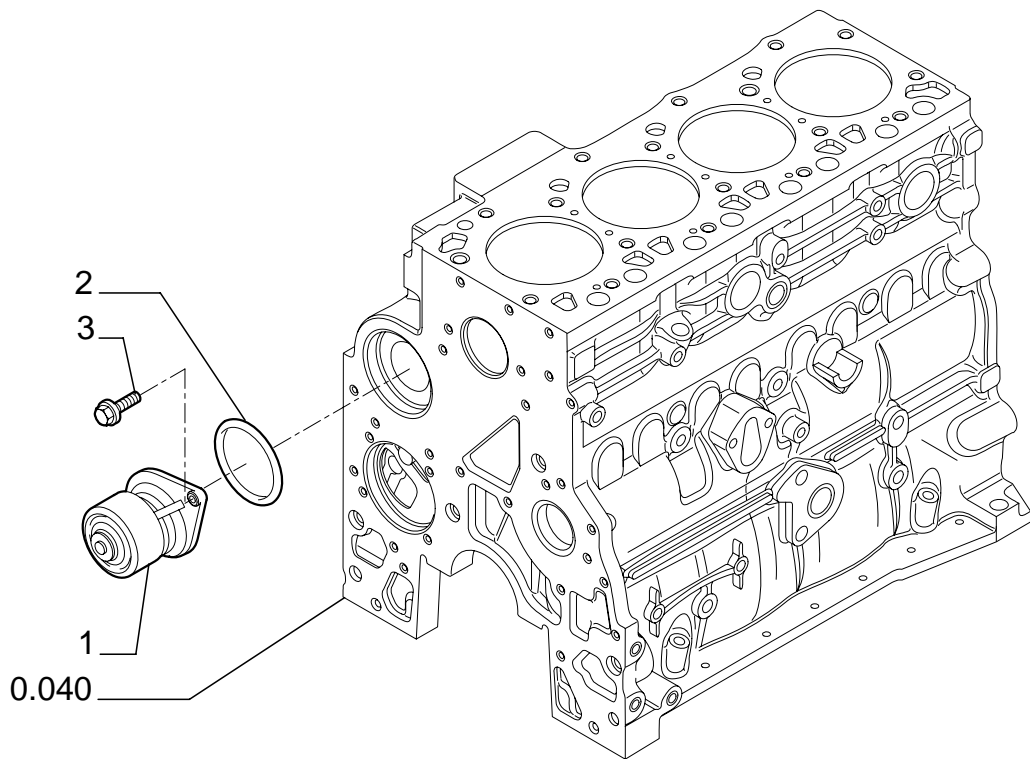
**0.320**

01

p1

12/05

WATER PUMP



POWER TAKE-OFF

REF	FN	PART NUMBER	YR/SN	QTY	DESCRIPTION
1		504049033		1	COVER
2		4896897		1	GASKET
3		4895327		2	SCREW

--

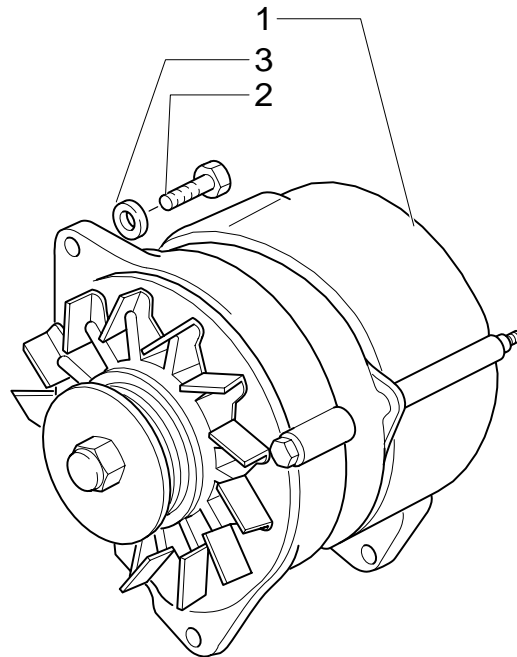
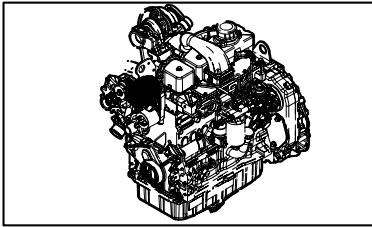
636A

04

p1

02/05

ACCESSORY ENGINE- ALTERNATOR



**1.14.0**

01

p1

11/05

**FUEL TANK & RELATED PARTS**

REF	FN	PART NUMBER	YR/SN	QTY	DESCRIPTION
1		87355226		1	FUEL TANK
2		85825392		1	CAP Locking
3		15540721		4	SCREW M12x30
4		47048973		4	WASHER
5		47050671		1	PLUG
6		85801218		2	FOOT REST
7		85825158		5	SCREW M5x12
8		47048976		4	WASHER M12
9		86985587		1	SENSOR
10		87404910		1	FOOT BOARD
11		15540721		4	SCREW
12		87403672		2	HOSE, FLEXIBLE
13		14560187		4	COLLAR
14		85824381		4	COLLAR
15		87414560		2	CONNECTOR, HYD.
16		85804675		1	KEY, LOCK
17		87353741		4	SPACER

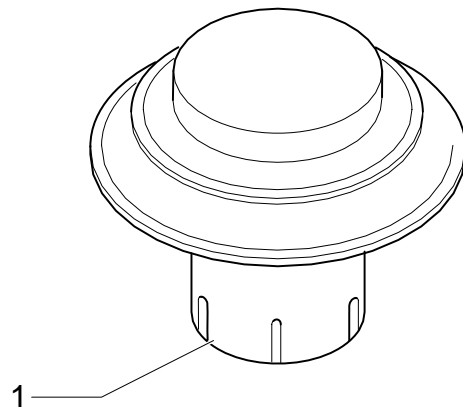
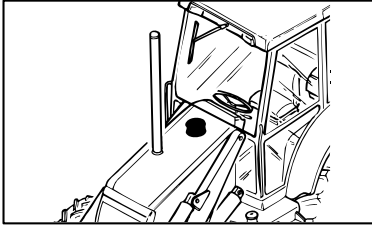
175

01

p1

02/05

AIR INTAKE CAP & PRE-CLEANER



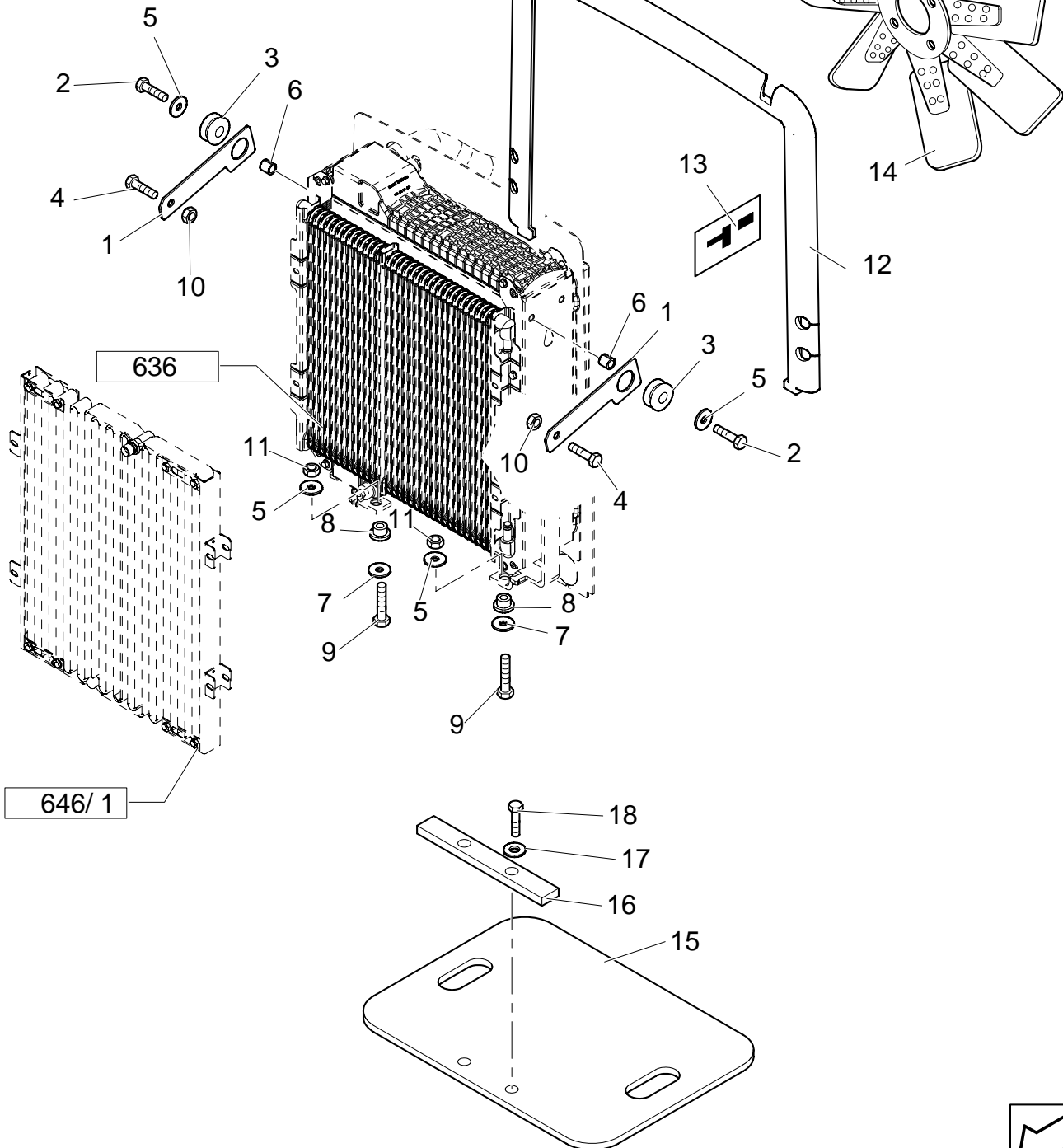
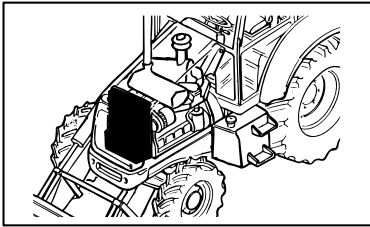
**RADIATOR**

REF	FN	PART NUMBER	YR/SN	QTY	DESCRIPTION
1		16043021		8	SCREW M8x12
2		47048962		10	WASHER
3		87306886		4	WASHER
4		87306887		4	SCREW M10x16
5		47049581		1	GASKET
6		47050674		1	VALVE, ENG EXHAUST, STD
7		47050733		1	COLLAR
8		47050734		1	COLLAR
9		85828168		4	BRACKET LH
10		87419240		1	CONNECTOR, HYD.
11		85825170		3	BUTTON
12		86983070		1	SEAL, RUBBER
13		87026277		2	SCREW
14		87302922		1	BRACKET RH
15		85825169		1	SPACER
16		87407272		1	HOSE, LARGE
17	1	87410096		1	RADIATOR
18	2	87410099		1	PLATE
19		87410916		1	CONVEYOR
20		87413237		1	HOSE, LARGE
21		87416637		1	GASKET
22		{87302920}		1	

- (1) Water
- (2) Oil Cooler

Without Air Conditioner

RADIATOR

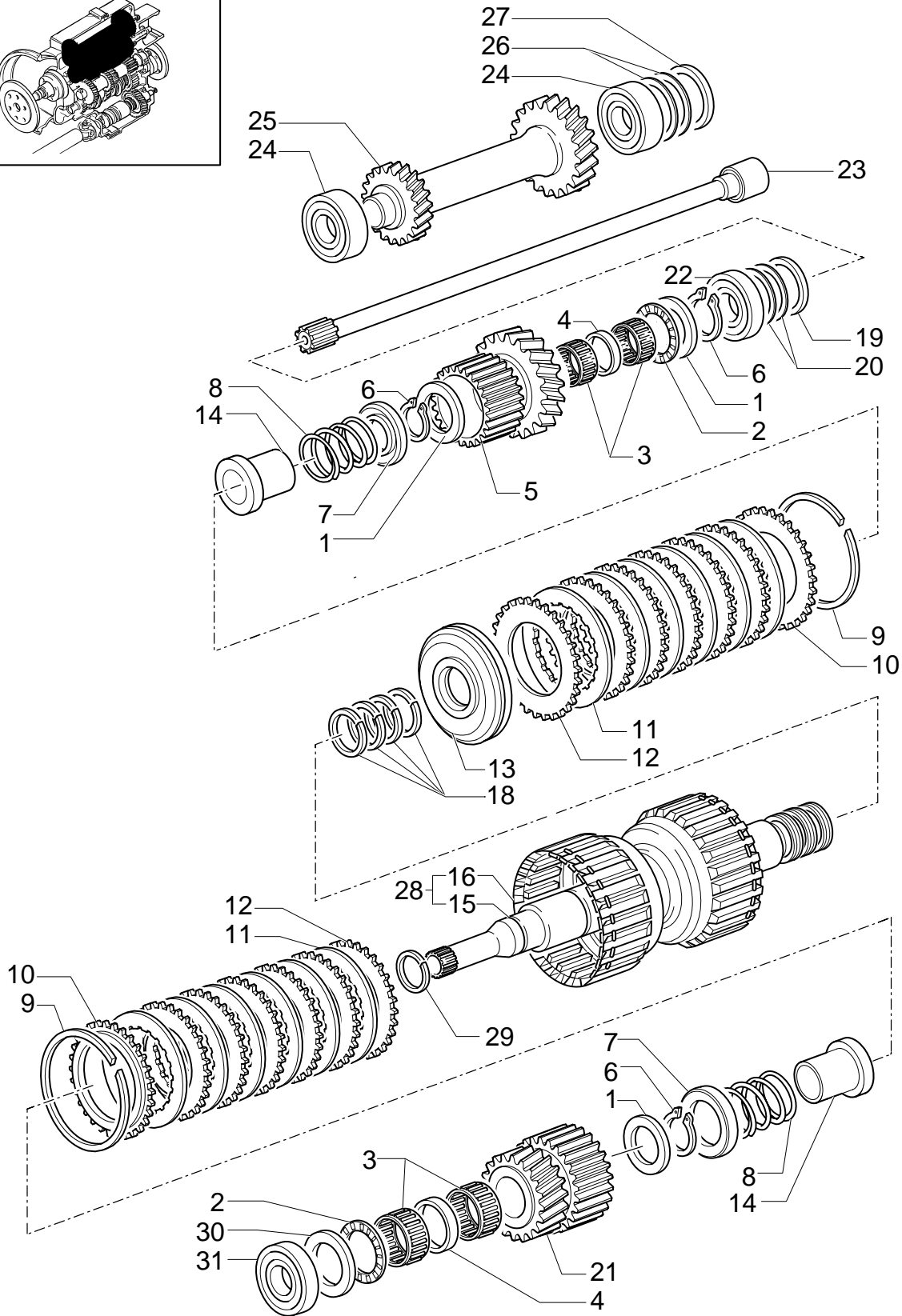
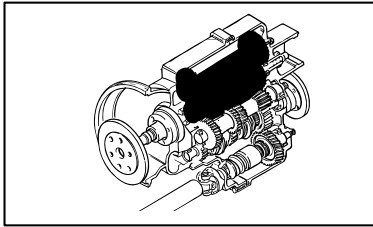


## GEARING SPEED GEAR

REF	FN	PART NUMBER	YR/SN	QTY	DESCRIPTION
1		87407758		1	RING
2		85804276		1	SUPPORT LH
3	1	86990712		1	TRANSMISSION
4	2	86990713		1	TRANSMISSION
5	3	86990714		1	TRANSMISSION
6	4	86990715		1	TRANSMISSION
7		88352		8	SCREW 3/8"-16x2 1/2",G5
8		87410647		2	SCREW M12x1.25x90
9		85801585		2	WASHER, SEALING 65mm OD
10		87416967		2	SUPPORT
11		85802618		2	WASHER, SEALING
12		16105011		2	NUT M12x1.75x1.25
13		87405629		1	SUPPORT LH
13		87405628		1	SUPPORT RH
14		11198679		8	WASHER, LOCK
15		11112634		8	SCREW M12x35
16	5	85806019		AR	KIT O-Ring, for under Directional Control Valve
17		11112434		8	SCREW M12x30
18		85804275		1	SUPPORT RH
19		47049372		12	WASHER
20		11106434		12	SCREW M10x30

- (1) Only for 2WD, Power Shuttle  
(2) Only for 4WD, Power Shuttle  
(3) Only for LB110.B, B110 4WD, Power Shift  
(4) Only for LB115.B, B115 4WD, Power Shift  
(5) Kit o-ring for directional control valve

TRANSMISSIONGEARING SPEED GEAR (2WD POWER-SHUTTLE)



**1.28.0/ B**

03

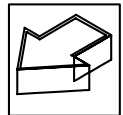
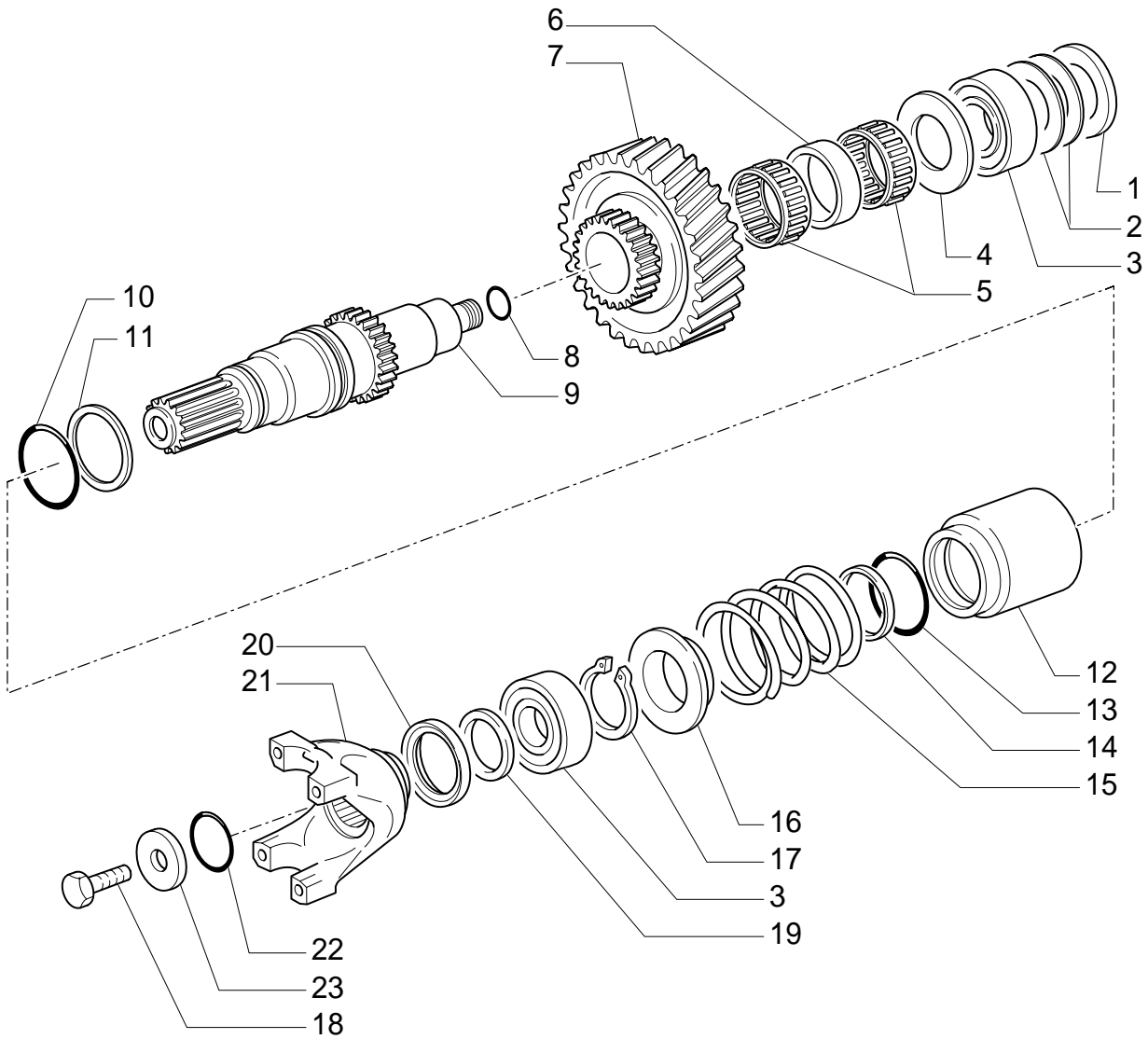
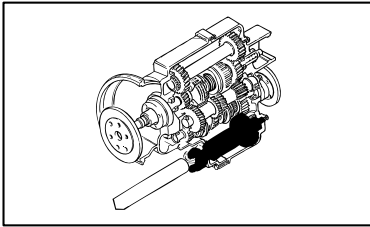
p1

02/05

## TRANSMISSIONGEARING SPEED GEAR (4WD POWER-SHUTTLE)

REF	FN	PART NUMBER	YR/SN	QTY	DESCRIPTION
1		85812086		1	TUBE, RIGID
2		85812087		1	TUBE, RIGID
3		9968337		1	TUBE, RIGID 4WD
4		9968676		2	BOLT, BANJO
5		85817002		4	WASHER
6		9968340		AR	CONNECTOR, HYD.
7		9968336		AR	NUT
8		9968219		2	PLUG 9/16" UNF
9		85812085		1	BLOCK
10		9968375		1	GASKET
11		9968374		1	HOUSING
12		9968354		1	ADAPTER
13		85817165		2	SCREW
14		85817004		1	FILTER
15		9968218		AR	O-RING 9/16"
16		85812091		1	PLUG

TRANSMISSIONGEARING SPEED GEAR (4WD POWER-SHUTTLE)



---

## SECTION INDEX

---

SEC. 04	00	FRONT AXLE
1.40.0	01	FRONT AXLE (2WD)
1.40.0	02	FRONT AXLE (2WD)
402	01	4WD FRONT AXLE, HOUSING, BUSHINGS & SUPPORTS
402	02	4WD FRONT AXLE, SWIVEL HOUSING & STEERING CYLINDER
402	03	4WD FRONT AXLE, HUBS
402	04	4WD FRONT AXLE, RING GEAR & PINION ASSEMBLY
402	05	4WD FRONT AXLE, DIFFERENTIAL
402	06	4WD FRONT AXLE, DRIVE SHAFT
415	01	FRONT AXLE - (4WD) W/GEAR,BEVEL
415	02	FRONT AXLE - (4WD) W/GEAR,BEVEL
415	03	FRONT AXLE - (4WD) W/GEAR,BEVEL
415	04	FRONT AXLE - (4WD) W/GEAR,BEVEL
415	05	FRONT AXLE - (4WD) W/GEAR,BEVEL
415	06	FRONT AXLE - (4WD) W/GEAR,BEVEL



**FRONT AXLE - (4WD) W/GEAR,BEVEL**

REF	FN	PART NUMBER	YR/SN	QTY	DESCRIPTION
1	1,2	85824337		1	AXLE, FRONT, LIVE
1	1,3	85824335		1	AXLE, FRONT, LIVE
1	1,4	85824333		1	AXLE, FRONT, LIVE
1	1,5	85824341		1	AXLE, FRONT, LIVE
1	6	85827731		1	AXLE
1	7	85827727		1	AXLE
1	8	85827729		1	AXLE
1	9	85827733		1	AXLE
2		9967769		10	SCREW M12X1,75X33
3		9967672		1	PLUG M10X1
4	10	9967673		2	SPRING
4	11	9967997		2	WASHER
5	10	85824469		2	BUSHING
5	11	87306932		2	BUSHING
6		9968010		1	BUSHING
7	10	85805969		2	BUSHING
7	11	9968019		2	BUSHING
8	10	85824343		2	SEAL
8	11	85824346		2	RING
9	10	9967678		2	ARTICULATION

- (1) UP TO S/N XXX
- (2) Serial Number : Until 031054241, Only for POWER SHUTTLE, RATIO=12,8, Consists Of 2 to 28, Also Page 415 02 to 415 06
- (3) Serial Number : Until 031054286, Only for POWER SHIFT, RATIO=12,8, Consists Of 2 to 28, Also Page 415 02 to 415 06
- (4) Serial Number : Until 031055429, Only for POWER SHUTTLE, RATIO=12,333, Consists Of 2 to 28, Also Page 415 02 to 415 06
- (5) Serial Number : Until XXXXXXXXXX, Only for POWER SHIFT, RATIO=12,333, Consists Of 2 to 28, Also Page 415 02 to 415 06
- (6) Serial Number : 031054242 And After, Only for POWER SHUTTLE, RATIO=12,8
- (7) Serial Number : 031055429 And After, Only for POWER SHUTTLE, RATIO=12,333
- (8) Serial Number : 031054287 And After, Only for POWER SHIFT, RATIO=12,8
- (9) Serial Number : XXXXXXXXXX And After, Only for POWER SHIFT, RATIO=12,333
- (10) Serial Number : Axle 85824337 Until 031054241, Axle 85824335 Until 031054286, Axle 85824333 Until 031055429, Axle 85824341 Until XXXXXXXXXX
- (11) Serial Number : Axle 85827731 031054242 And After, Axle 85827729 031054287 And After, Axle 85827727 031055429 And After, Axle 85827733 XXXXXXXXXX And After

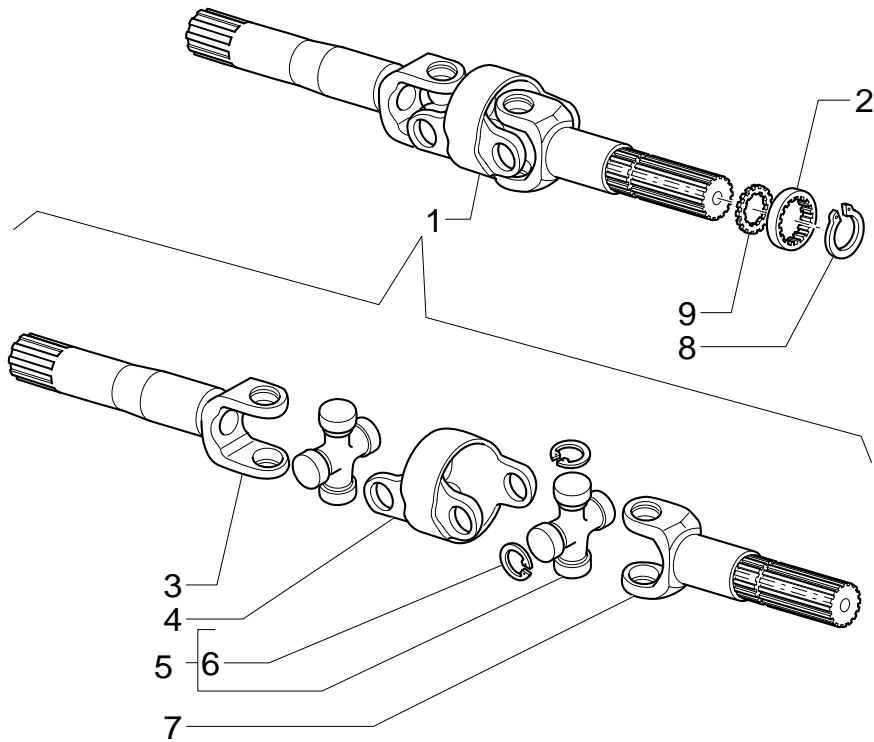
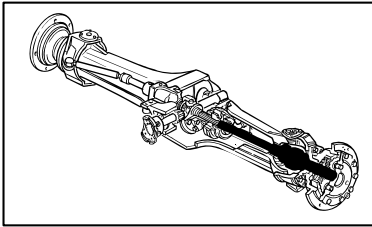
415

06

p1

08/05

FRONT AXLE - (4WD) W/GEAR,BEVEL

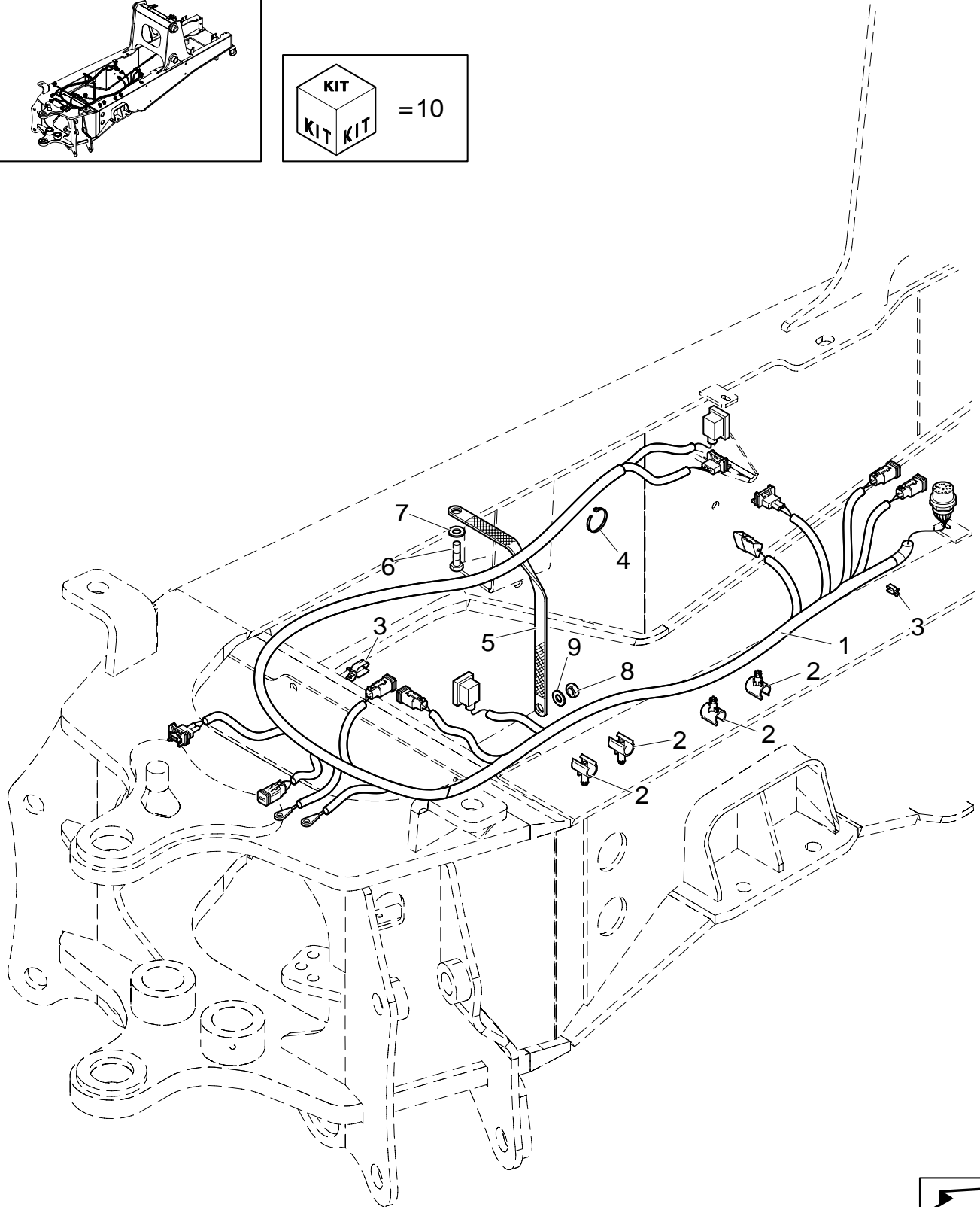
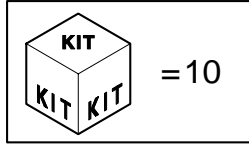
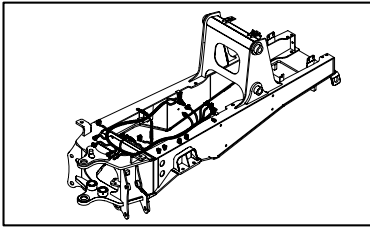


## REAR AXLE (POWER-SHUTTLE) (CENTER PIVOT)

REF	FN	PART NUMBER	YR/SN	QTY	DESCRIPTION
26		C5NN4N050B		1	FORK
27		E196EB9		1	SEAL PROTECTION
28		C5NN4N079A		1	SHAFT
29		82958118		1	PIN, ROLL
30		87334836		1	PLATE, RETAINING
31		86632588		1	WASHER
32		87314211		1	BLOCK
33		87346228		1	PLATE
34		87346229		1	PLATE
35		87346231		1	PLATE
36		87346232		1	PLATE
37		87346427		1	PLATE
38		87308019		1	KIT
39		{86576091}		1	

From To S/N XXX

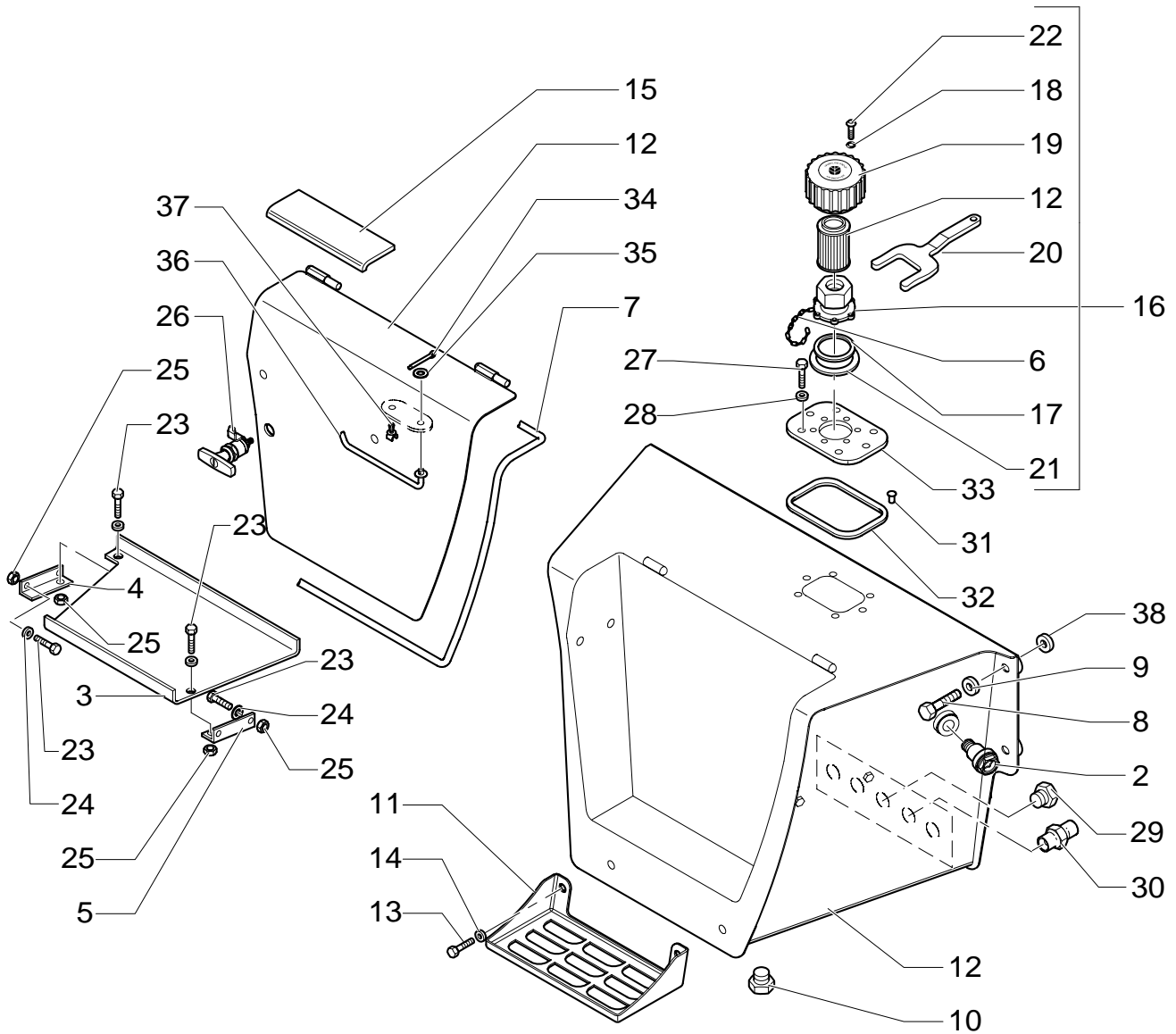
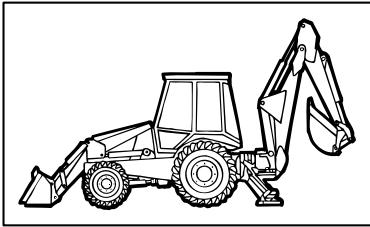
CHASSIS HARNESS & GROUND WIRE (POWER SHUTTLE)



## COLD START

REF	FN	PART NUMBER	YR/SN	QTY	DESCRIPTION
1		87410603		1	PLATE
2		85825169		3	SPACER
3		47049164		3	SCREW THD TO HD M8x40 CL8.8 ZND
4		87409046		1	ELECTRONIC UNIT, CONTROL
5		86619908		1	RELAY
6		76088638		1	CONNECTOR
7		87410602		1	FUSE 300 AMP
8		85801492		3	INSERT, THREADED
9		47049195		1	COLLAR M8
10		47048961		15	WASHER
11		47054518		8	NUT M6
12		47049157		5	BOLT M6x20
13		47120207		2	SCREW M6x35
14		85821538		1	SCREW M6x16
15		47049029		4	NUT M6
16		322357		2	WASHER, LOCK Belleville, M6
17		47048992		5	WASHER 8mm Spring Lock
18		47049030		2	NUT M8
19		87411092		1	COVER
20		87411090		1	PLATE, COVER
21		47048702		5	COLLAR, RETAINER
22		85821539		3	O-RING
23		87414237		1	PLATE M14

HYDRAULIC OIL RESERVOIR



## FRONT HYDRAULIC PUMP INTAKE &amp; OUTLET HOSES (CENTER PIVOT)

REF	FN	PART NUMBER	YR/SN	QTY	DESCRIPTION
1		85803012		4	CLAMP
2		85811870		1	HOSE
3		14422021		3	SCREW M12X30
4		87409515		1	TUBE, RIGID
5		14464680		1	GASKET
6		167266		2	O-RING 90 Duro, .924" ID x .116" Thk
7	1	390937S36		1	CONNECTOR, HYD. 1-3/16"-12 ORS x 1-1/16"-12 SAE O-Ring
8		9991976		3	O-RING 90 Duro, .739" ID x .070" Thk
9		85825187		1	HOSE, FLEXIBLE
10	2	85815581		1	CONNECTOR, HYD.
11		85815568		1	HOSE, FLEXIBLE
12		85817596		1	COUPLING, QUICK, MALE

(1) Includes 7, 8

(2) Includes 6, 8

Mechanical Version

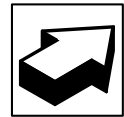
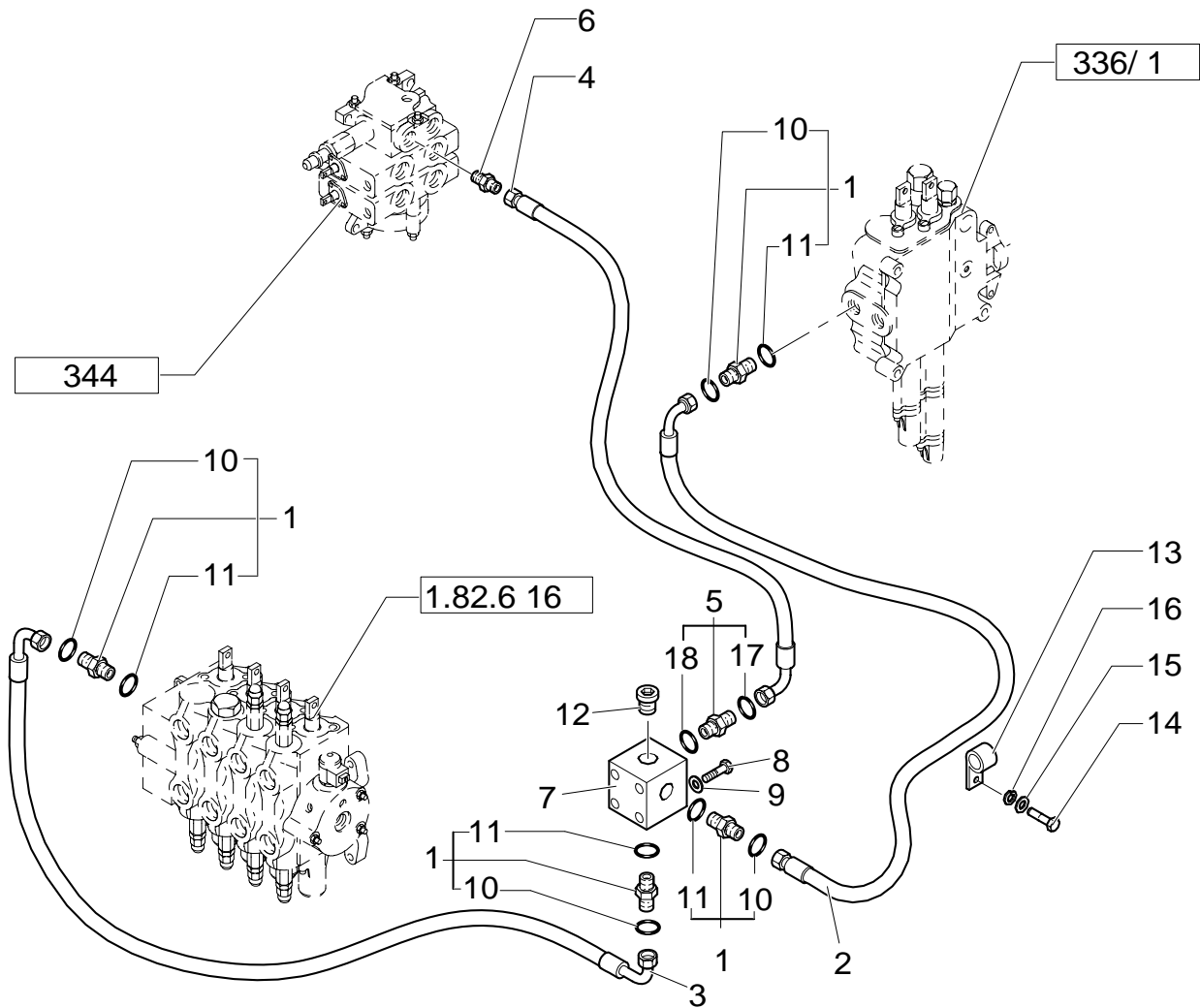
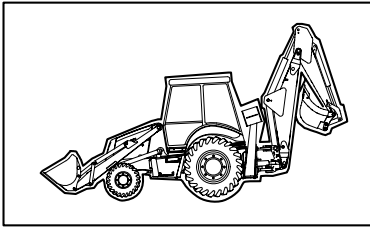
1.82.6

04B

p1

02/05

RETURN MANIFOLD HOSES (CENTER PIVOT)



## HYDRAULIC SYSTEM PIPING

REF	FN	PART NUMBER	YR/SN	QTY	DESCRIPTION
1		85805854		1	TUBE, RIGID LH
2		85805855		1	TUBE, RIGID LH
3		85805858		1	TUBE, RIGID LH
4		85805859		1	TUBE, RIGID LH
5		85805856		1	TUBE, RIGID RH
6		85805857		1	TUBE, RIGID RH
7		85805860		1	TUBE, RIGID RH
8		85805861		1	TUBE, RIGID RH
9		85805870		2	PLATE
10		85805872		2	PLATE, FIXING
11		85805869		2	HALF-DISC
12		11193979		10	WASHER, LOCK
13		16043621		4	SCREW
14		85805210		2	PLATE
15		85805211		2	CLAMP
16		85805209		2	PLATE
17		16043821		6	SCREW
18		85805206		1	PLATE
19		85805208		1	CLAMP
20		85805207		1	PLATE
21		85805203		1	CONNECTOR, HYD.

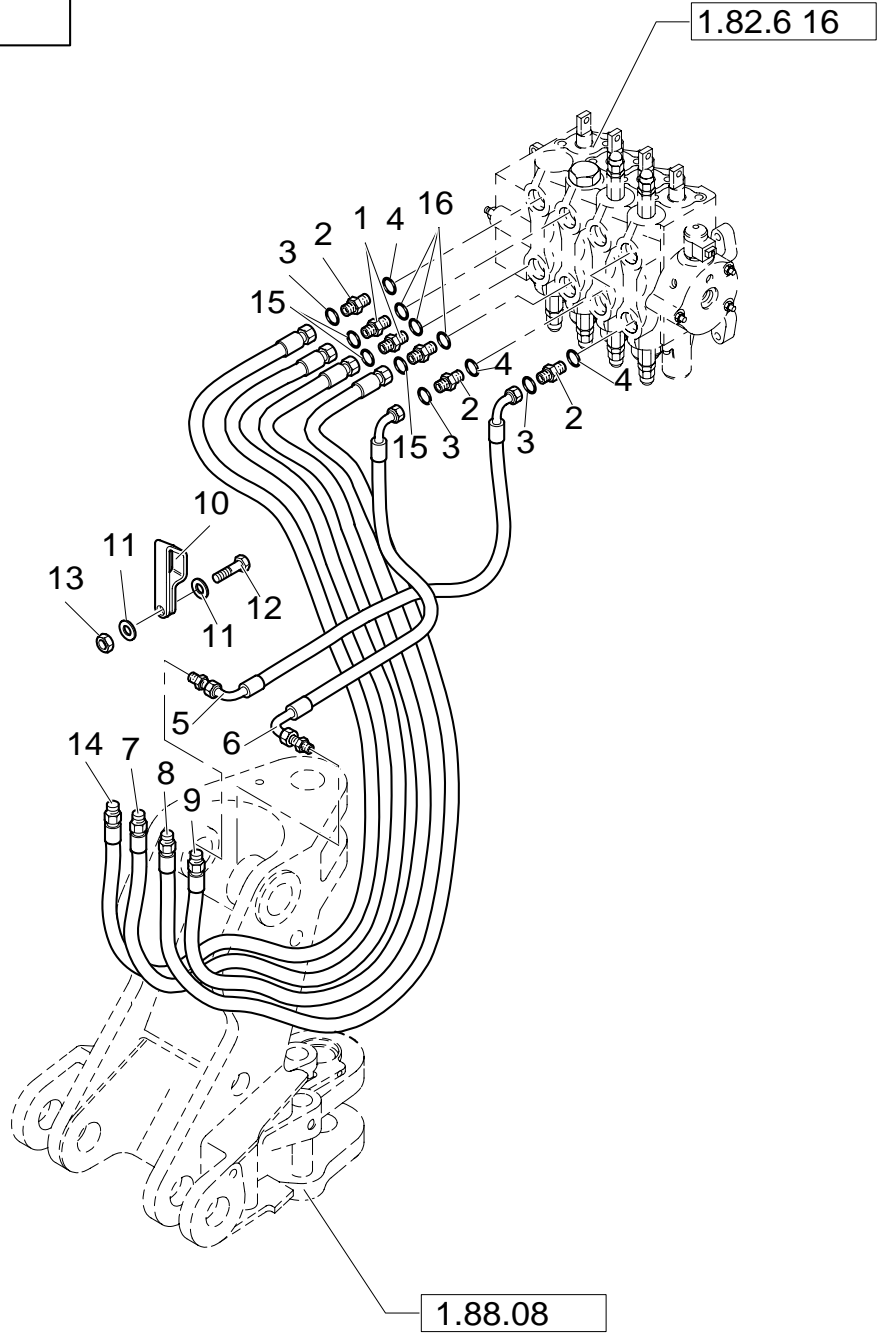
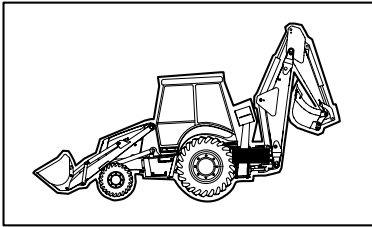
1.82.6

11A

p1

02/05

BACKHOE CONTROL VALVE HOSES (CENTER PIVOT)



## DIPPER VALVE SECTION (CENTER PIVOT)

REF	FN	PART NUMBER	YR/SN	QTY	DESCRIPTION
1		9968495		1	O-RING
2		9968489		1	GASKET
3		9968490		1	RING, OIL SCRAPER
4		9968512		1	SEAT/SLOT
5		9968514		1	SPRING
6		9968515		1	SCREW
7		9968513		1	COVER
8		9968516		1	SCREW
9		9968510		2	PLUNGER
10		9968511		1	SPRING
11		9968458		2	PLATE, COVER
12		9968460		1	SCREW

Mechanical Version

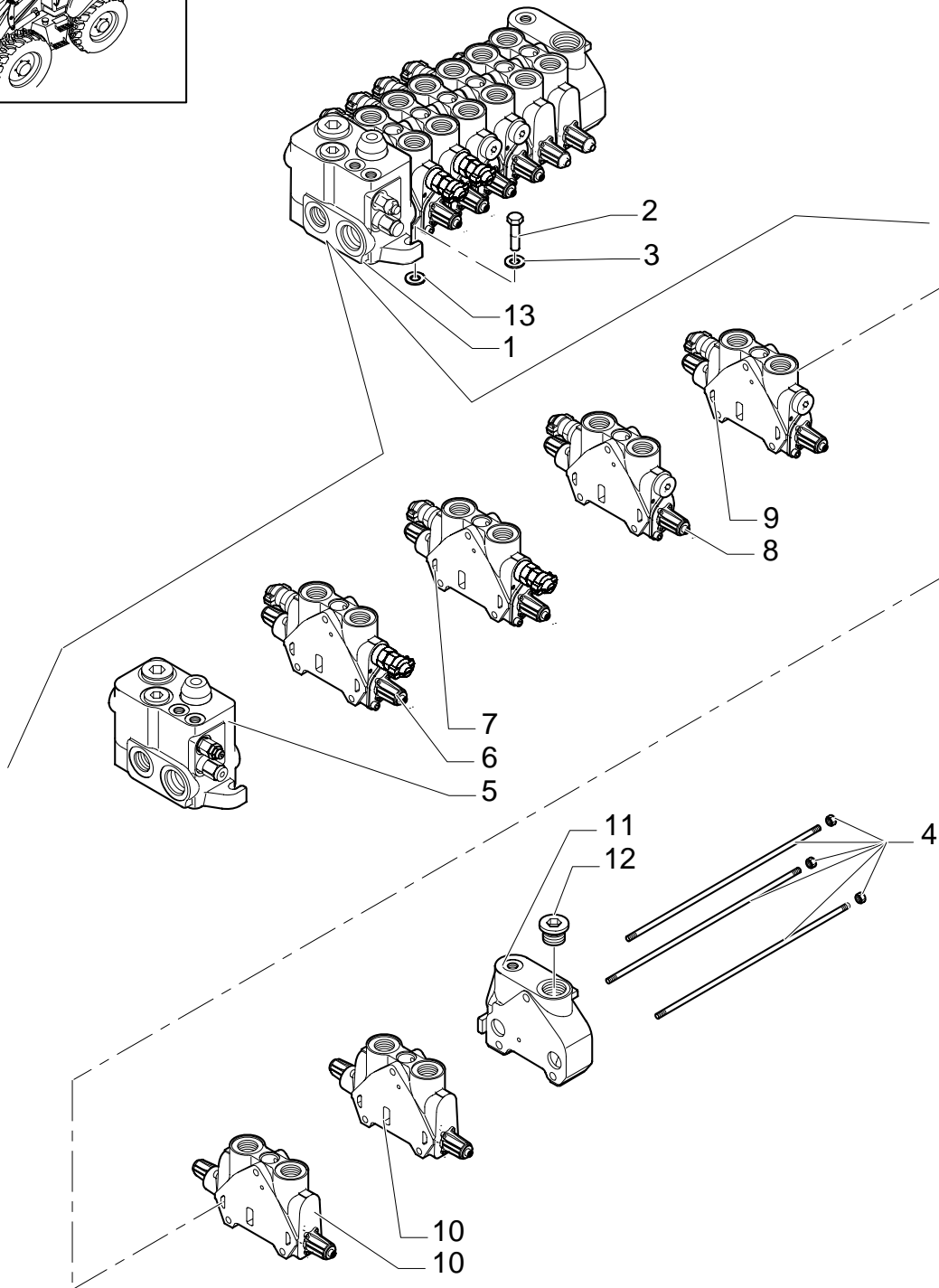
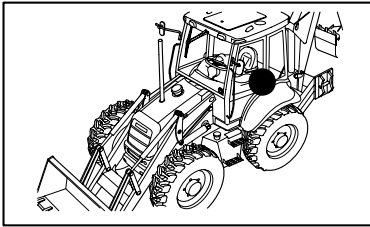
331

01

p1

11/05

BACKHOE CONTROL VALVE, 6 SECTIONS (CENTER PIVOT) NORTH AMERICA



## 6 SECTION PILOT CONTROL VALVE SUPPORT, COMPLETE

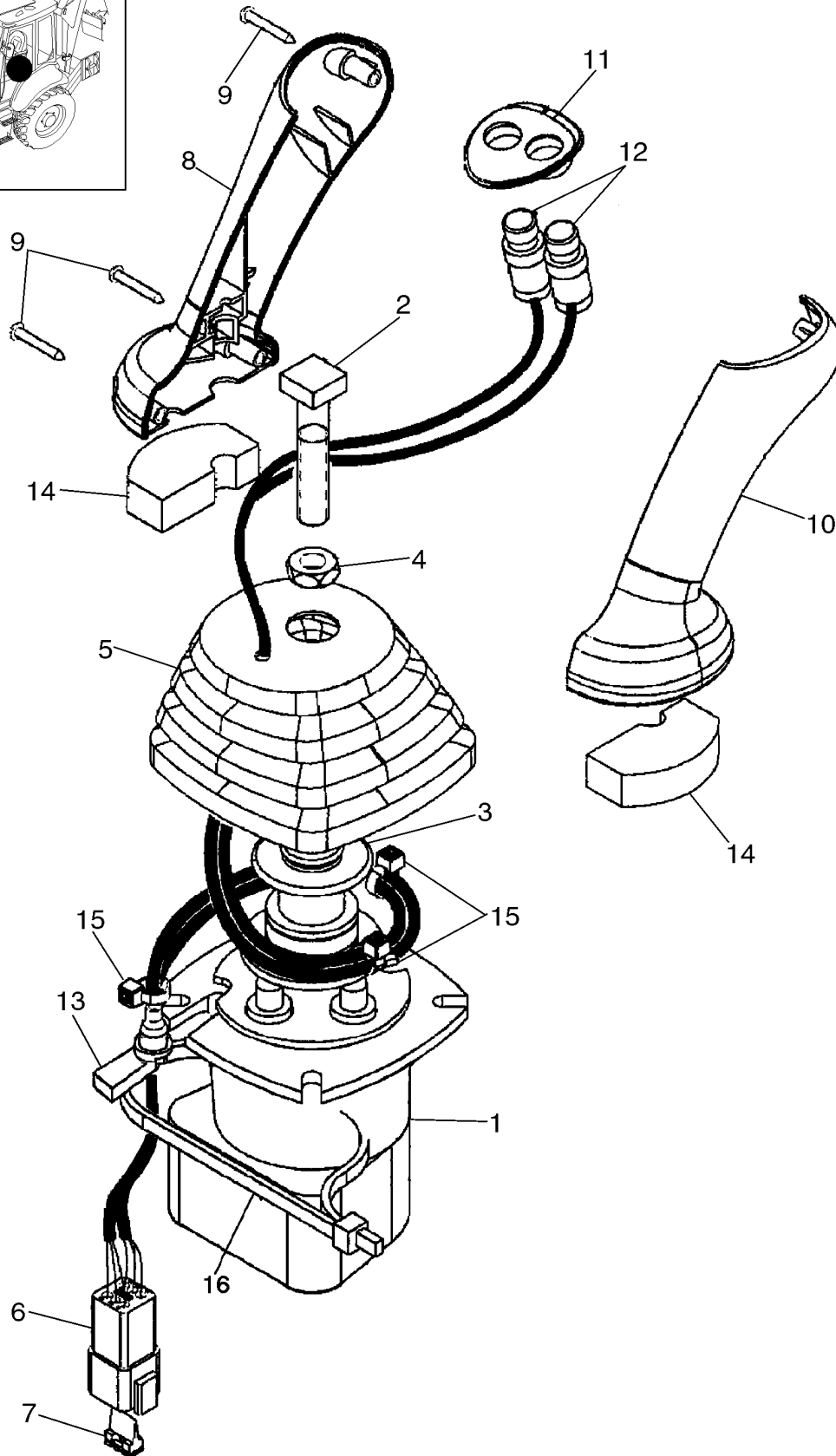
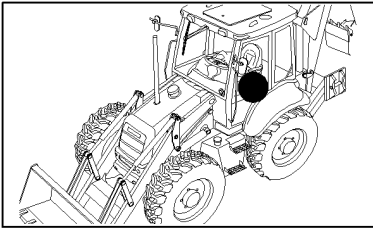
REF	FN	PART NUMBER	YR/SN	QTY	DESCRIPTION
23		87424301		1	SEAL, RUBBER
24		87427991		1	SEAL, RUBBER
25		87427989		1	SEAL, RUBBER
26		87427993		1	SEAL, RUBBER
27		87425696		2	SEAL, RUBBER
28		87414205			DECAL
29	1	87431300		1	GUARD
29	2	87427963		1	PLATE
30		85803312		21	CONNECTOR, HYD.
31		87306512		2	GASKET
32		87310186		2	WASHER
33		87423812		1	DECAL
34		87310085		2	SCREW, SELF TAPPING
35		87452511		2	NUT
36		87423401		1	FITTING

(1) Only for Center Pivot

(2) Only for Side Shift

Pilot Control Version

VALVE, JOYSTICK PILOT CONTROLS - EXTENDED VERSION - (RIGH HAND)



## 7 SECTION PILOT CONTROL VALVE SUPPORT, COMPLETE

REF	FN	PART NUMBER	YR/SN	QTY	DESCRIPTION
28		87414205		1	DECAL
29		87431300		1	GUARD
30		85803312		21	CONNECTOR, HYD.
31		87306512		2	GASKET
32		87310186		2	WASHER
33		87423812		1	DECAL
34		87310085		2	SCREW, SELF TAPPING
35		87452511		2	NUT
36		87423401		1	FITTING

Pilot Control Version

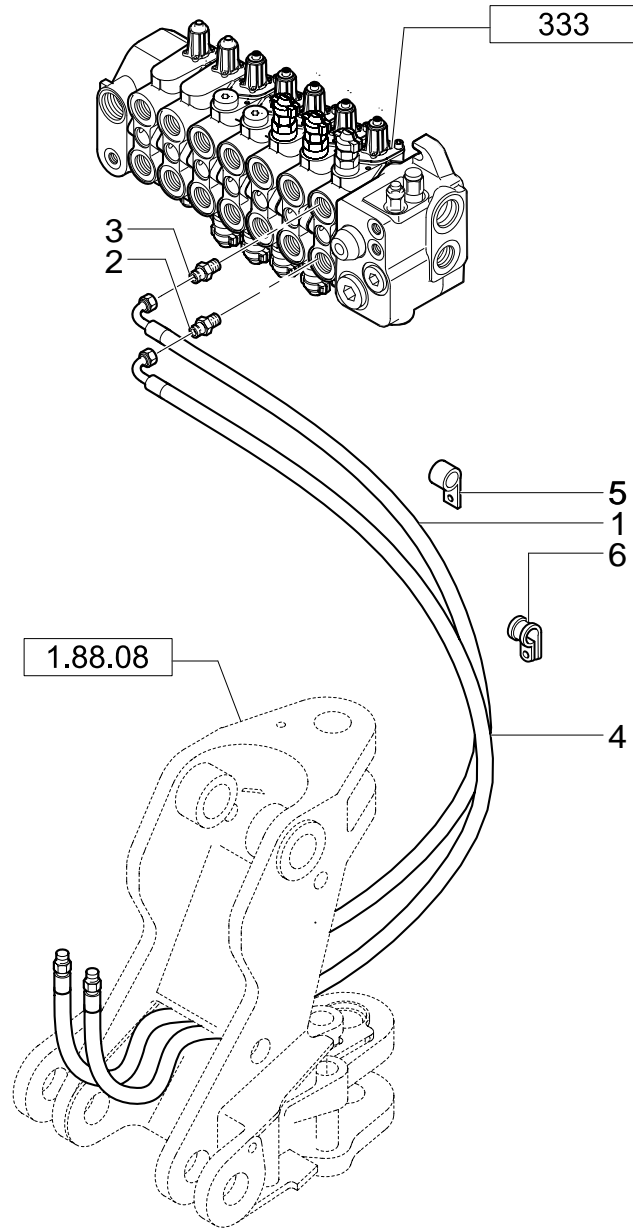
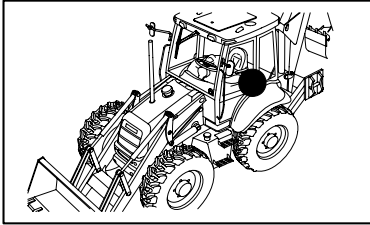
**333/ B**

07

p1

02/05

7 SECTION PILOT CONTROL VALVE SUPPORT, COMPLETE (CENTER PIVOT) EUROPE



## 7-SECTIONS EXCAVATOR CONTROL VALVE (CENTER PIVOT) NORTH AMERICA

REF	FN	PART NUMBER	YR/SN	QTY	DESCRIPTION
1	1	87302744		1	VALVE, CONTROL
1	2	87327768		1	VALVE, CONTROL
2		614-10045		3	SCREW M10x45
3		11190679		5	WASHER, LOCK M10
4		85811959		1	KIT
5	3	87308747		1	VALVE SECTION, HYD
6	1, 4, 5	85826904		1	SECTOR, TOOTHED
6	2, 4, 6	87343616		1	DISTRIBUTOR
7	7, 8	85826901		1	SECTOR, TOOTHED
8	9, 10	85826339		1	VALVE SECTION, HYD
9	11, 12	85826903		1	SECTOR, TOOTHED
10	13, 14	85826902		1	SECTOR, TOOTHED
11	15, 16	85826340		2	VALVE SECTION, HYD
12	17	85826250		1	SECTOR, TOOTHED
13		85811921		1	PLUG 1-1/16"-12 UNF 2A
14		13578621		3	WASHER

- (1) UP TO S/N XXX  
(2) FROM TO S/N XXX  
(3) See Page 331/1 02  
(4) Telescopic Cylinder  
(5) See Page 333/1 02  
(6) See Page 333/1 08  
(7) Boom Cylinder  
(8) See Page 333/1 03  
(9) Swing Cylinder  
(10) See Page 333/1 04  
(11) Bucket Cylinder  
(12) See Page 333/1 05  
(13) Arm Cylinder  
(14) See Page 333/1 06  
(15) Stabilizer Cylinder  
(16) See Page 333/1 07  
(17) Includes 13

Pilot Control Version

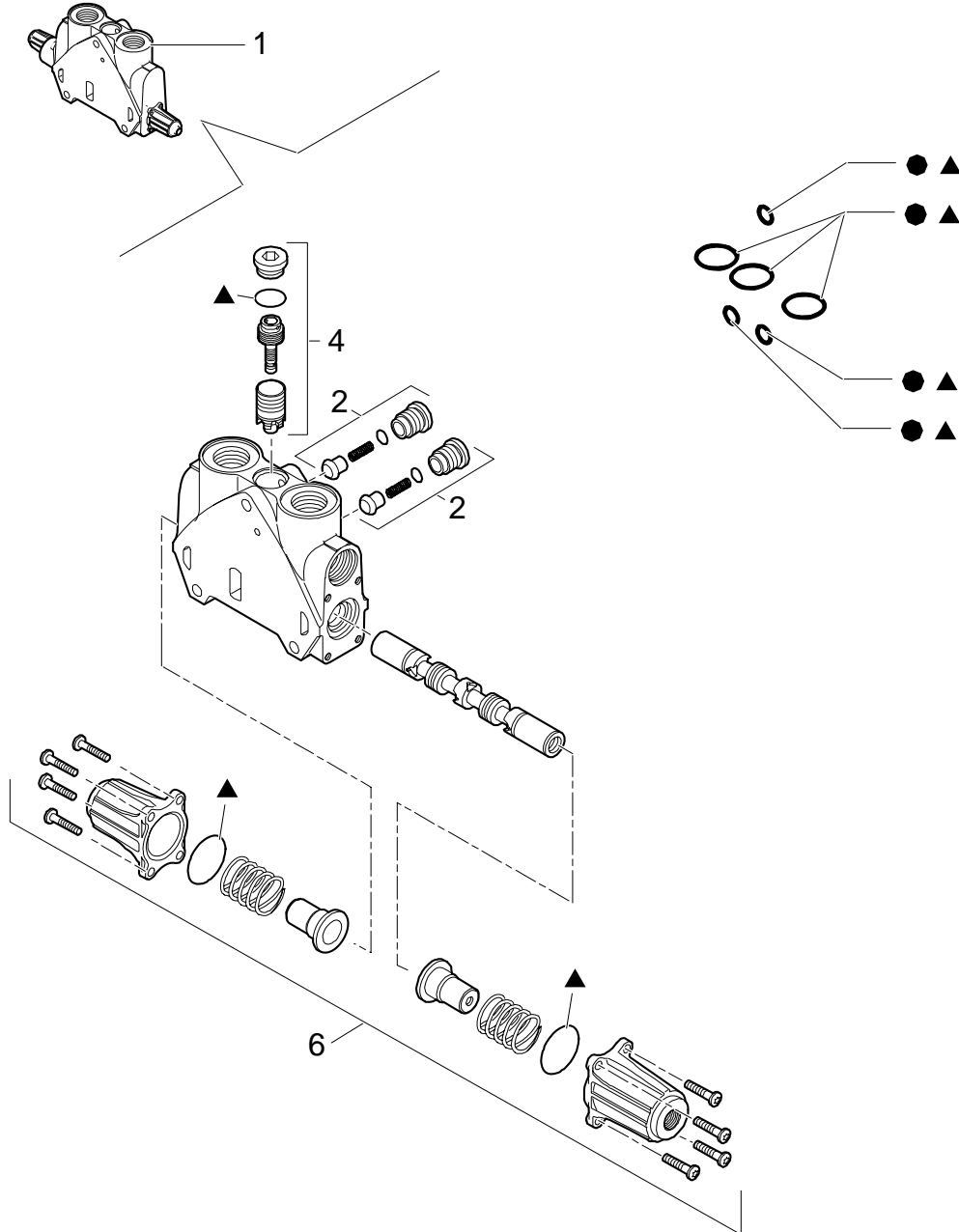
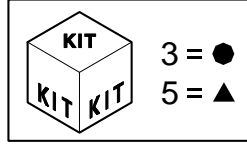
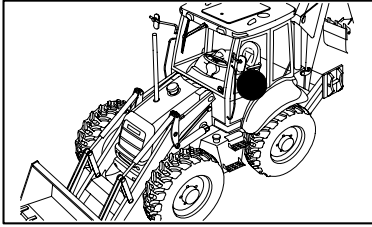
333/ 1

07

p1

11/05

7-SECTIONS EXCAVATOR CONTROL VALVE (CENTER PIVOT) NORTH AMERICA



LOADER CONTROL VALVE, TWO SECTION, CAP & UNLOAD VALVE (CENTER PIVOT)

REF	FN	PART NUMBER	YR/SN	QTY	DESCRIPTION
1		9968464		1	PLUG ASSY
2		9968476		1	O-RING
3		9968443		1	PANEL, SIDE
4		85807857		1	PLUG
5		9968521		2	STUD
6		9968441		2	NUT
7		9968520		1	STUD
8		9968440		1	NUT
9		85815667		1	VALVE, HYDRAULIC
10		85815668		1	RING
11		9968467		1	RING
12		9968466		1	O-RING
13		9968468		1	O-RING
14		9968488		1	SPRING
15		85807858		1	PLUNGER AND VALVE
16		{87327632}		1	

Mechanical Version

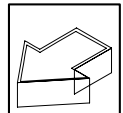
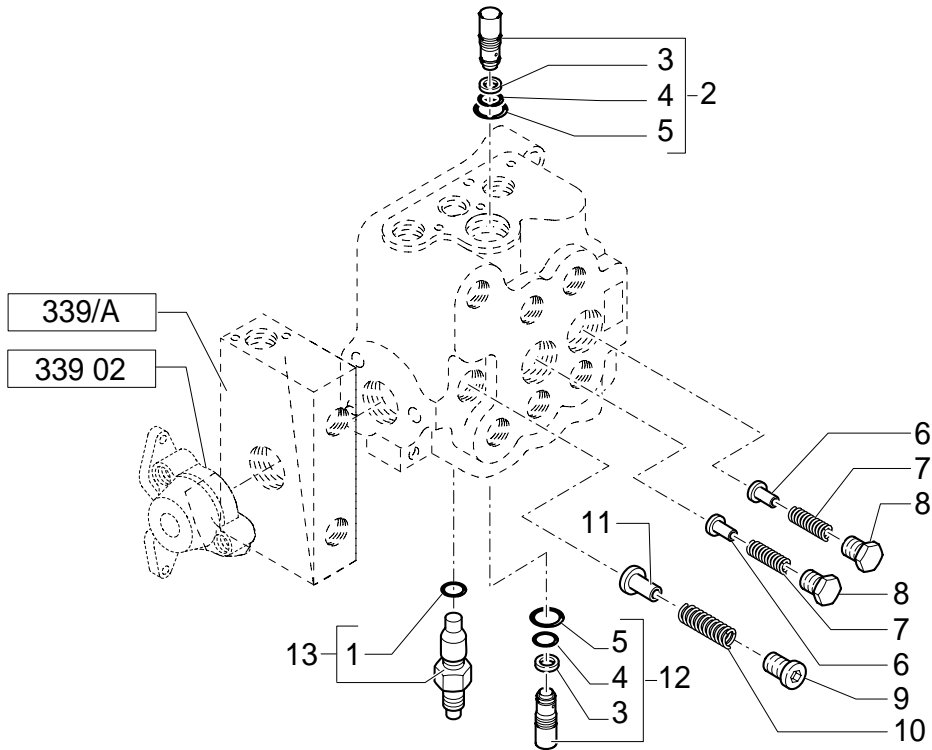
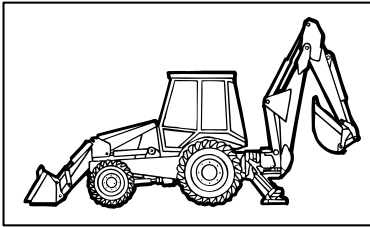
339

03

p1

12/05

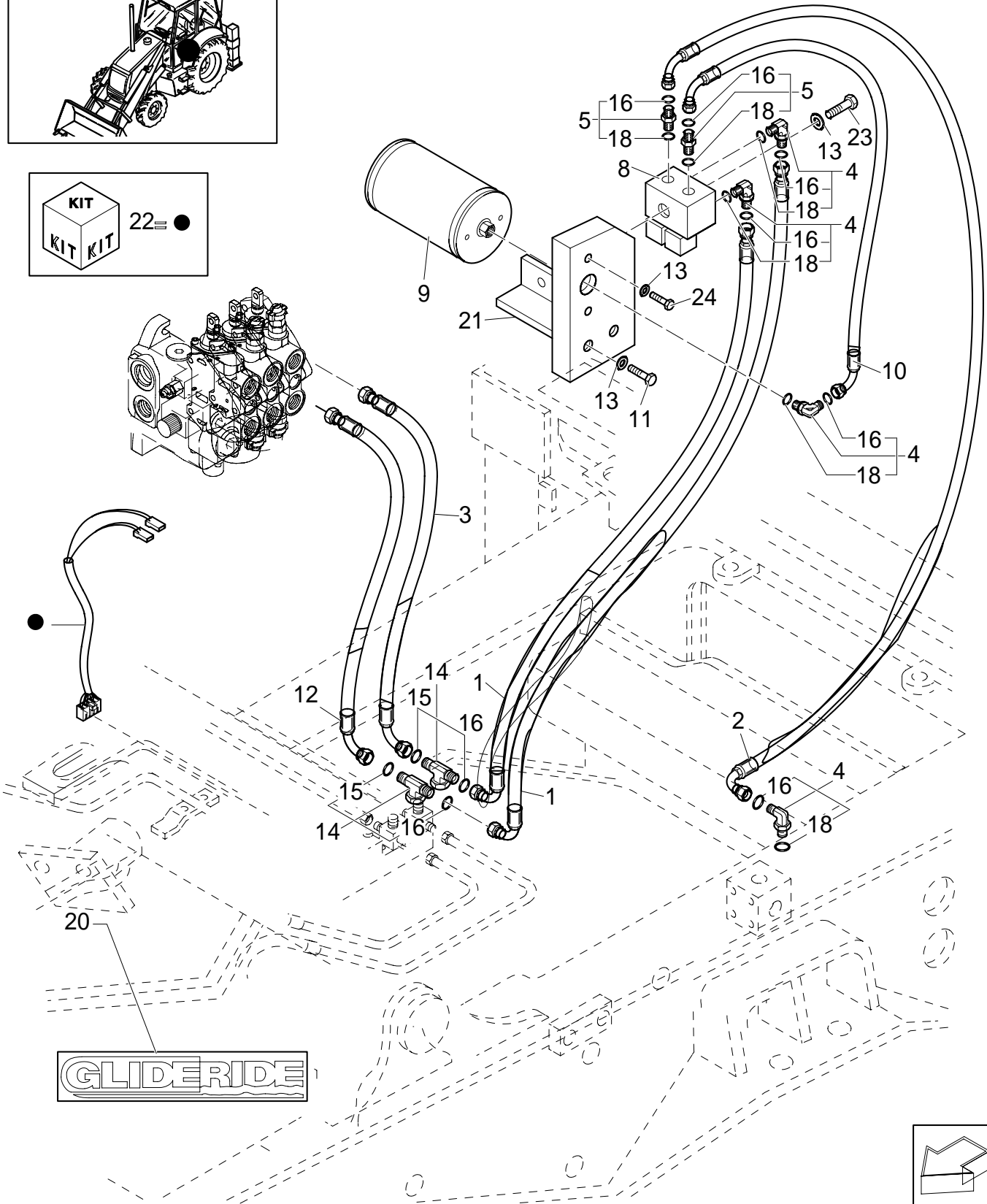
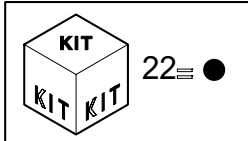
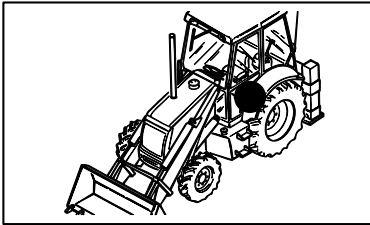
LOADER CONTROL VALVE, THREE SECTION, RELIEF & CHECK VALVES (CENTER PIVOT)



LOCK VALVE FOR BUCKET 4X1 / 6X1

REF	FN	PART NUMBER	YR/SN	QTY	DESCRIPTION
1		85820844		1	VALVE, HYDRAULIC
2		85821127		2	HOSE, FLEXIBLE
3		87316861		1	PLATE
4		390953S36		4	CONNECTOR, HYD.
6		11193874		2	WASHER, LOCK
7		390967S36		2	ELBOW
8		16044121		2	SCREW
5		16044321		4	SCREW

GLIDE RIDE VALVE, HYDRAULIC SYSTEM FOR MACHINE FRAME LEVELLING & ON/OFF SWITCH



HED TELESCOPIC CONTORL VALVE, SECTION HOSES(CENTER PIVOT)

REF	FN	PART NUMBER	YR/SN	QTY	DESCRIPTION
1		85812029		1	COLLAR, RETAINER
2		390953S36		1	CONNECTOR, HYD.
3		85803234		1	CONNECTOR, HYD.
4		85812214		1	HOSE, FLEXIBLE
5		128825		3	O-RING 8-1, 90 Duro, .644" ID x .087" Thk
7		85812193		1	HOSE, FLEXIBLE
8		85803393		1	COLLAR, RETAINER
9		85803332		4	COLLAR
6		9992298		3	O-RING 90 Duro, .489" ID x .070" Thk

Mechanical Version

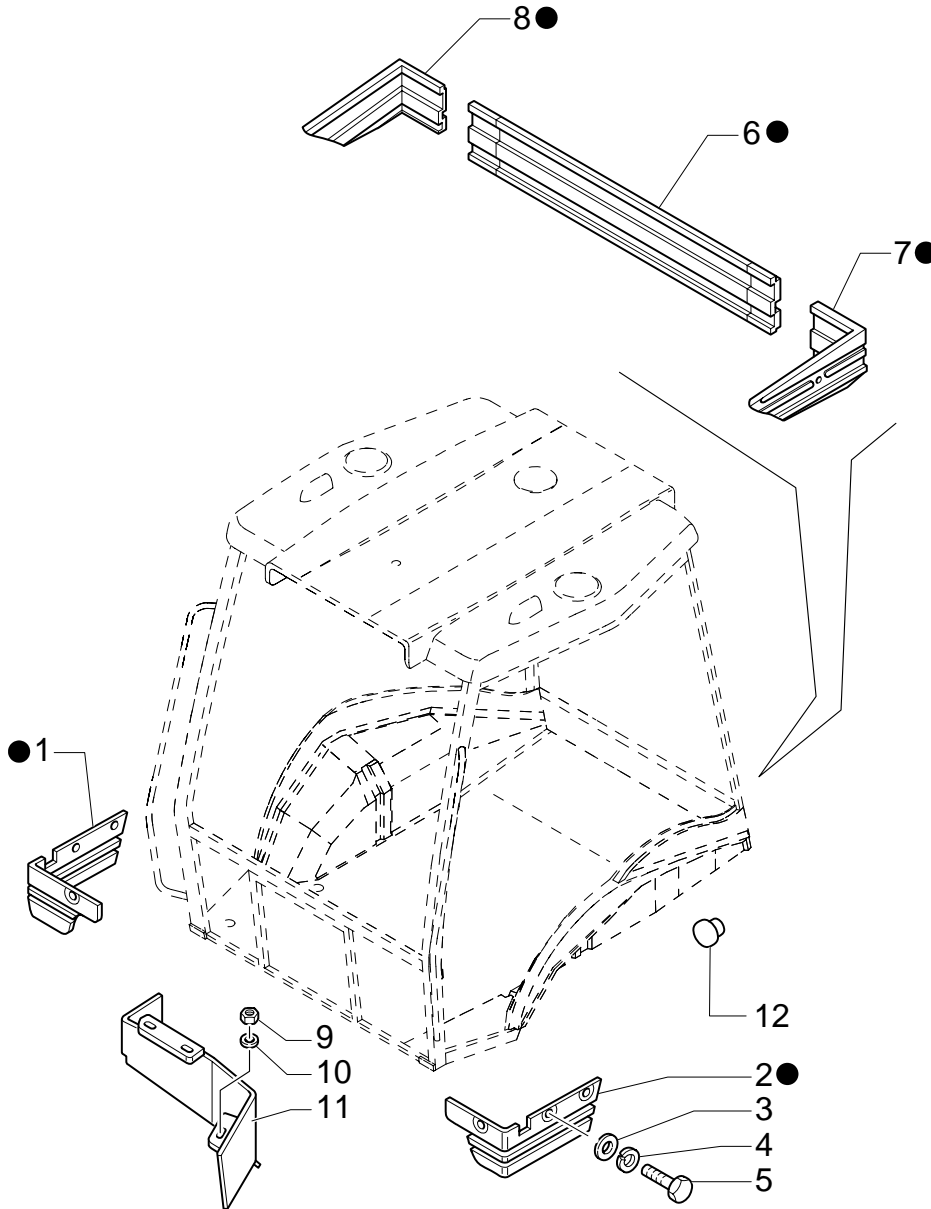
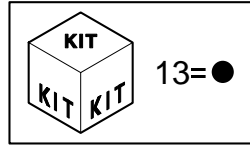
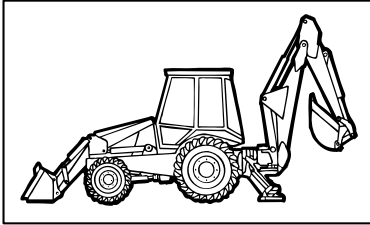
1.87.2

01

p1

06/05

CAB SCREEN





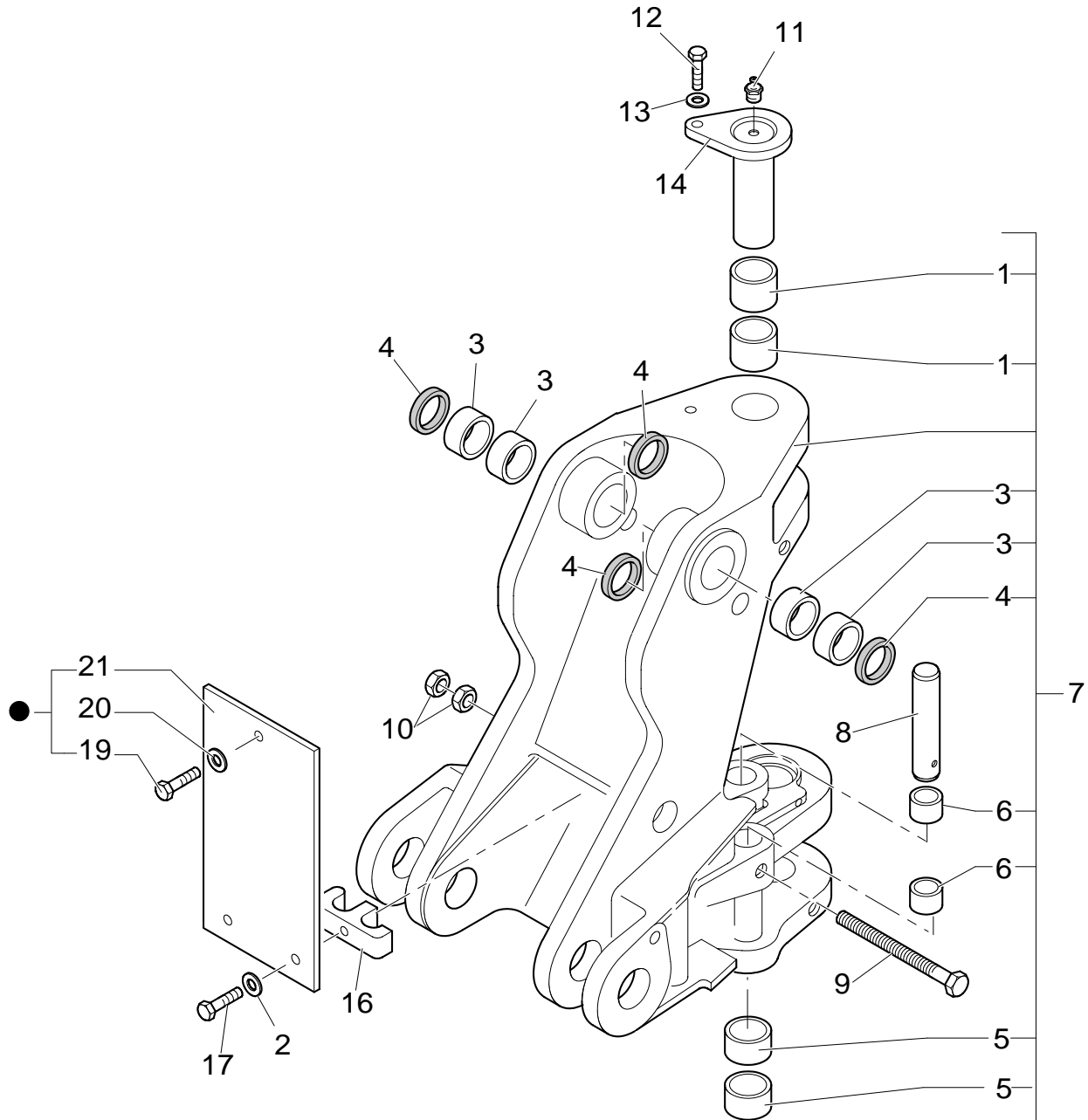
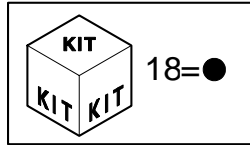
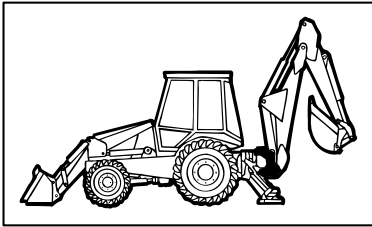
1.88.08

01

p1

11/05

SWING POST ASSEMBLY, BUSHINGS & PINS



**1.88.11/ 2**

02

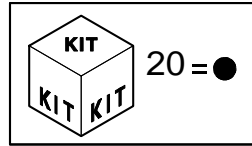
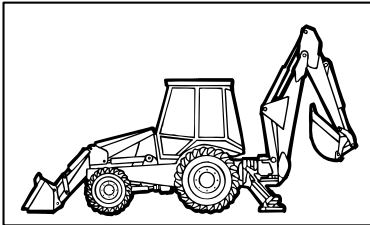
p1

03/05

## LOADER BUCKET CONTROL CYLINDER

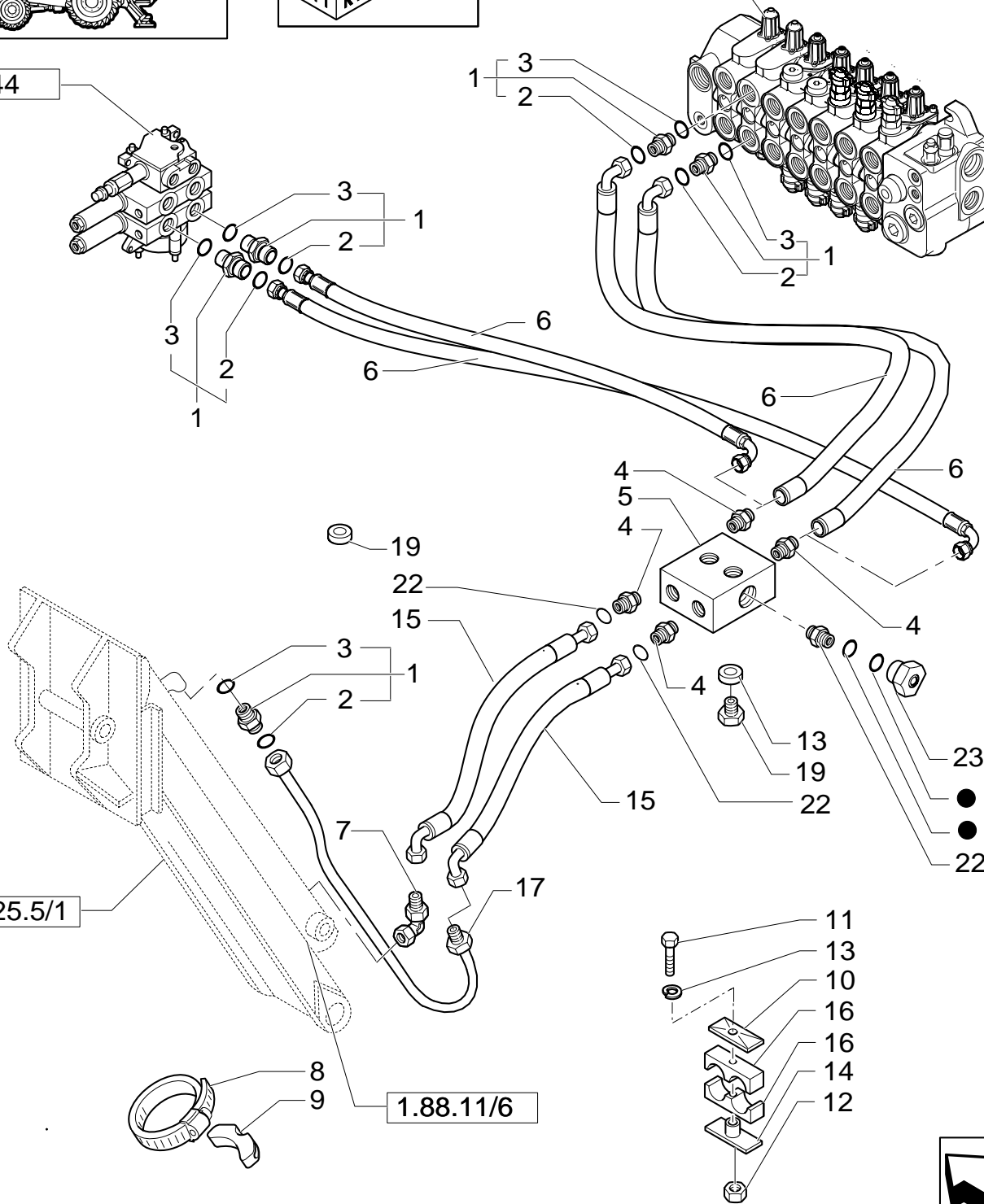
REF	FN	PART NUMBER	YR/SN	QTY	DESCRIPTION
1		NSS		1	NOT SERVICED SEPARATELY ASSY,LOADER BUCKET
2		191823		2	WASHER 1/8-27-90GR
3		293312		2	RING, SNAP
4		87901S8		2	NIPPLE, LUBE 1/8"-27
5		85801049		2	PIN 38mm x 159mm
6		85802993		2	PIN
7		85802992		2	O-RING

PIPES FOR STABILIZER CYLINDERS (CENTER PIVOT)



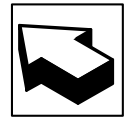
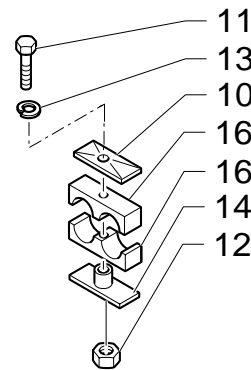
331/1  
333

344



1.25.5/1

1.88.11/6



CLICK HERE TO **DOWNLOAD** THE COMPLETE MANUAL

- Thank you very much for reading the preview of the manual.
- You can download the complete manual from: [www.heydownloads.com](http://www.heydownloads.com) by clicking the link below



- Please note: If there is no response to CLICKING the link, please download this PDF first and then click on it.

CLICK HERE TO **DOWNLOAD** THE COMPLETE MANUAL

SILENT HAMMER CB65S

REF	FN	PART NUMBER	YR/SN	QTY	DESCRIPTION
1		82848120		1	HAMMER -ASSY
2		82848343		1	HOSE KIT L=2380
3		87335337		1	BRACKET LB
4		87779459		1	POINT
5		87779461		1	POINT
6		87779460		1	POINT
7		{85848133}		1	
8		87779462		1	TOOL
9		87779444		1	TOOL, GENERAL
10		87779474		1	TOOL
11		{87335146}		1	

--

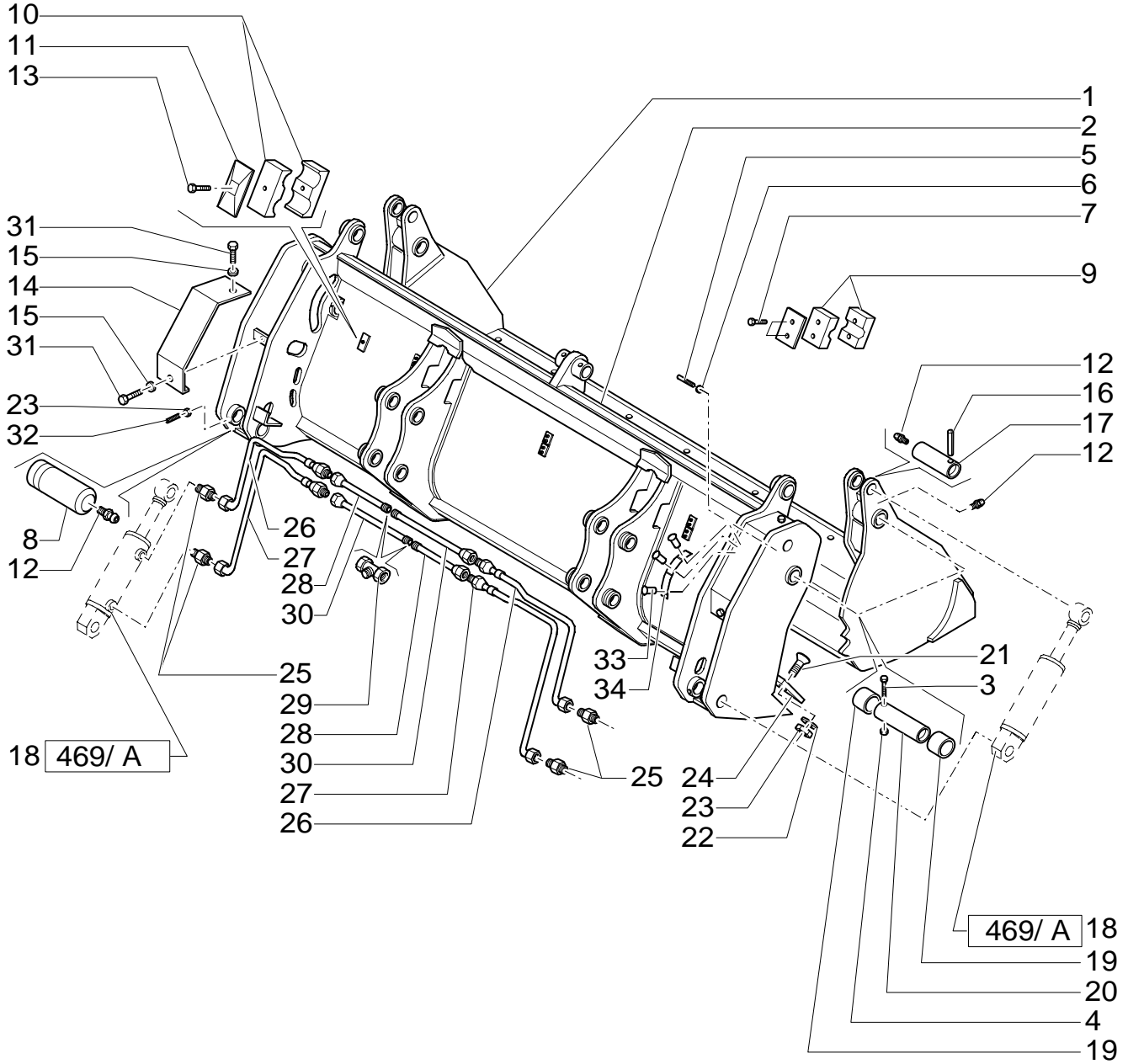
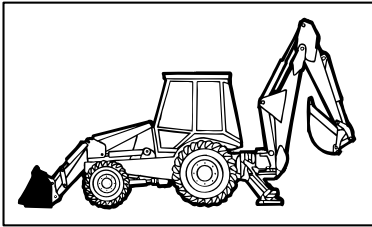
471

01

p1

11/05

BUCKET 4X1 (1 M3) WITH BLADE



BUCKET 4X1 (1 M3) WITH TINE

REF	FN	PART NUMBER	YR/SN	QTY	DESCRIPTION
1		85801470		16	NUT 5/8"-11
3		85801051		4	PIN
4		85802993		4	PIN
5		85802992		4	O-RING
6		85820819		2	HOSE, FLEXIBLE L=800 MM.
7		85811440		8	LUG
8		85801371		16	BOLT

--

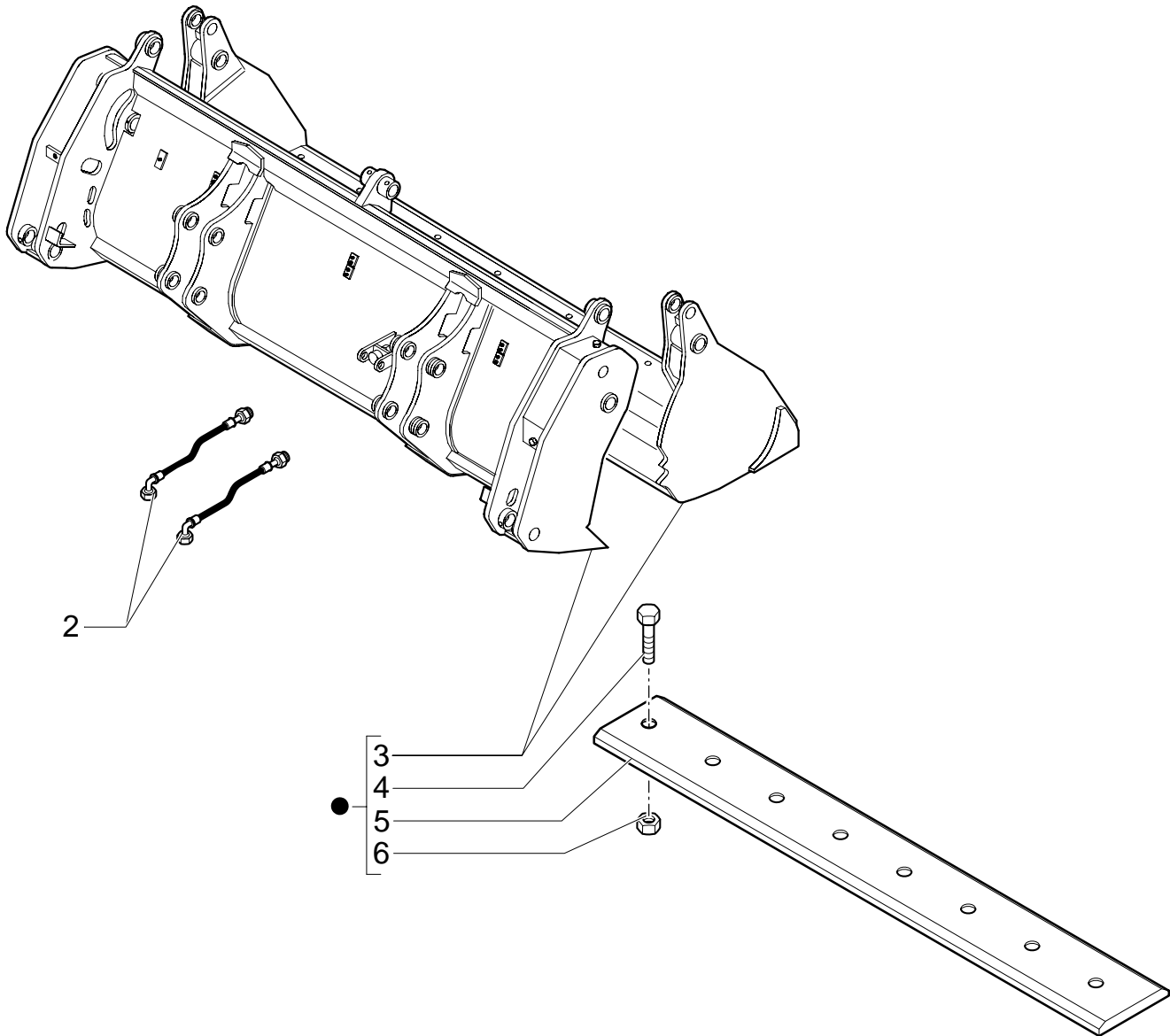
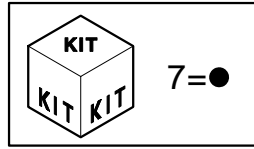
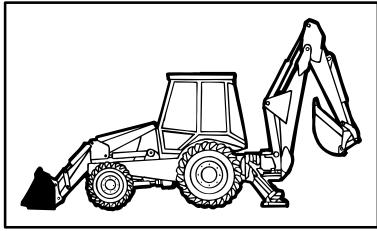
473/ 1

01

p1

11/05

BUCKET 6X1 (1 M3) WITH BLADE "COMMON GREY"



BUCKET 6X1 (1 M3) WITH TINE

REF	FN	PART NUMBER	YR/SN	QTY	DESCRIPTION
1		85801470		16	NUT 5/8"-11
3		85801051		4	PIN
4		85802993		4	PIN
5		85802992		4	O-RING
6		85820819		2	HOSE, FLEXIBLE L=800 MM.
7		85811440		8	LUG
8		85801371		8	BOLT

--

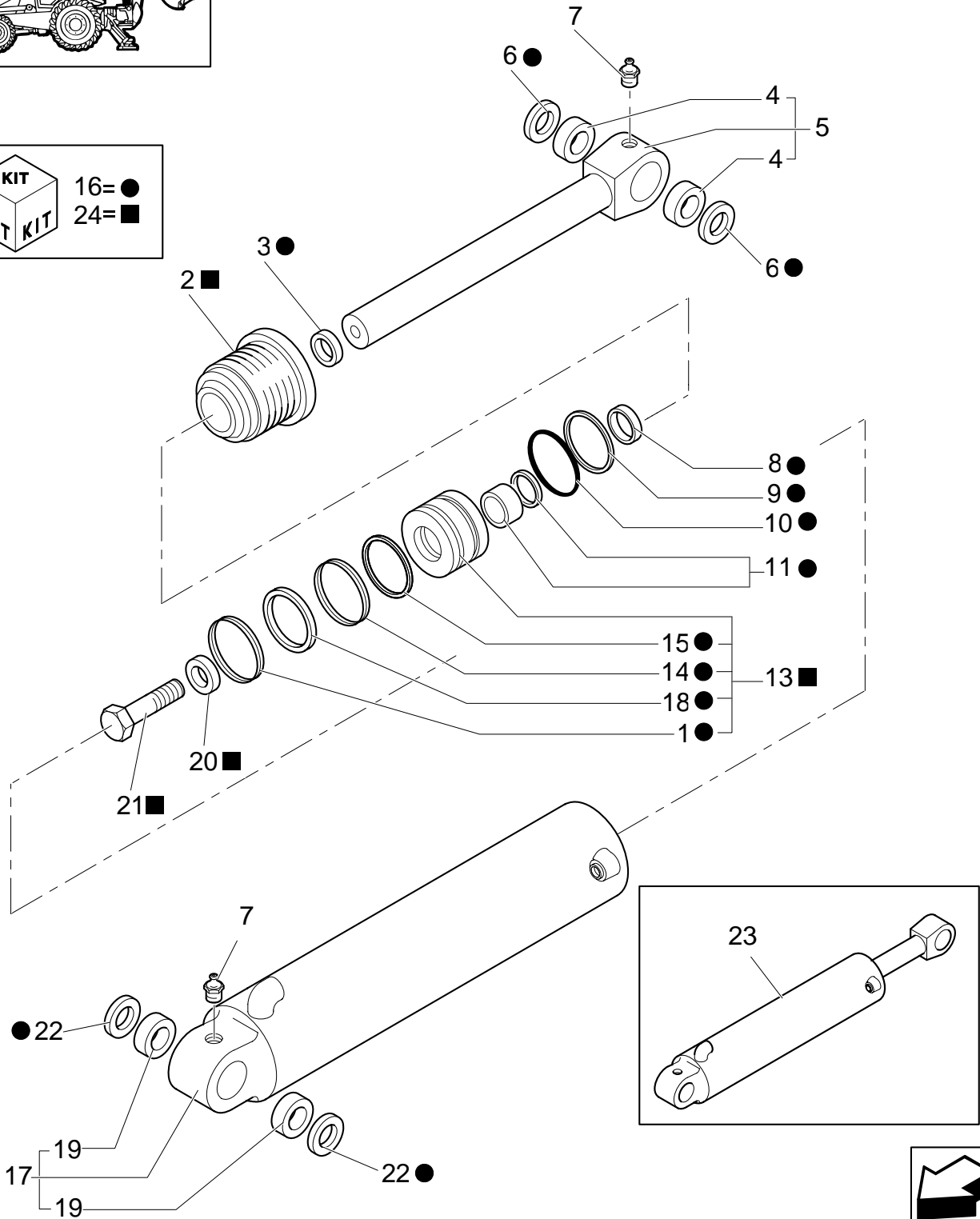
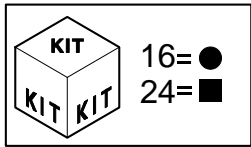
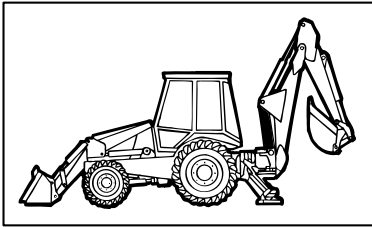
514/ F

01

p1

11/05

HYDRAULIC LIFTING CYLINDER



24" (610MM) BACKHOE BUCKET WITH PIN TEETH

REF	FN	PART NUMBER	YR/SN	QTY	DESCRIPTION
1		D7NNC584A		6	BUSHING
2		85801098		4	STOP
3		85801097		4	PIN
4		85811432		4	TOOTH, BUCKET
5		85821788		4	TOOTH, BUCKET
6	1	NSS		4	NOT SERVICED SEPARATELY

(1) Includes 1 To 5

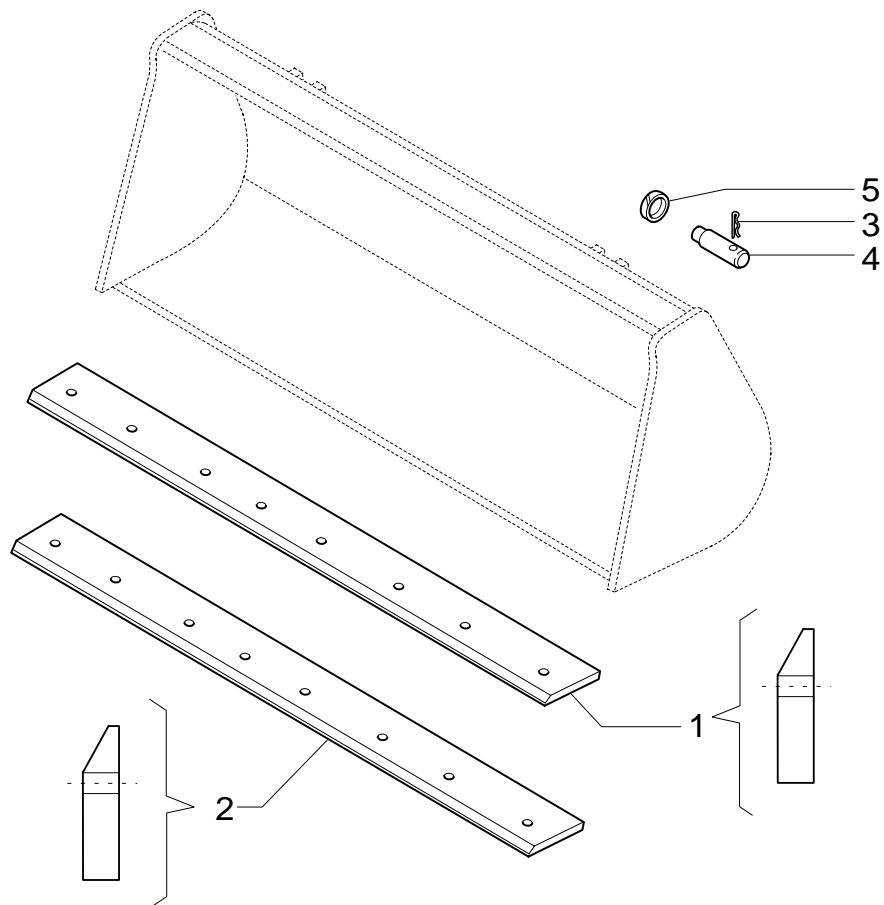
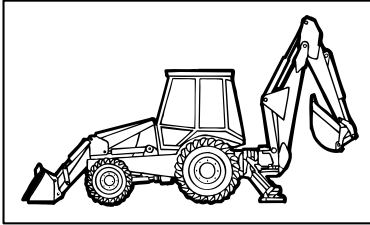
520

01

p1

02/05

0.88 M3 BUCKET WITHOUT TINES



**BOLT-ON TOOTH KIT, 12" (305MM) BACKHOE BUCKET**

REF	FN	PART NUMBER	YR/SN	QTY	DESCRIPTION
1		85811440		1	LUG
2		85801376		1	LUG LH
3		85801371		6	BOLT
4		85801470		8	NUT 5/8"-11
5		10520211		2	WASHER
6		88706		2	BOLT Cap, HH, G8, 5/8"-11 x 1-3/4"
7		85801377		1	LUG RH

--

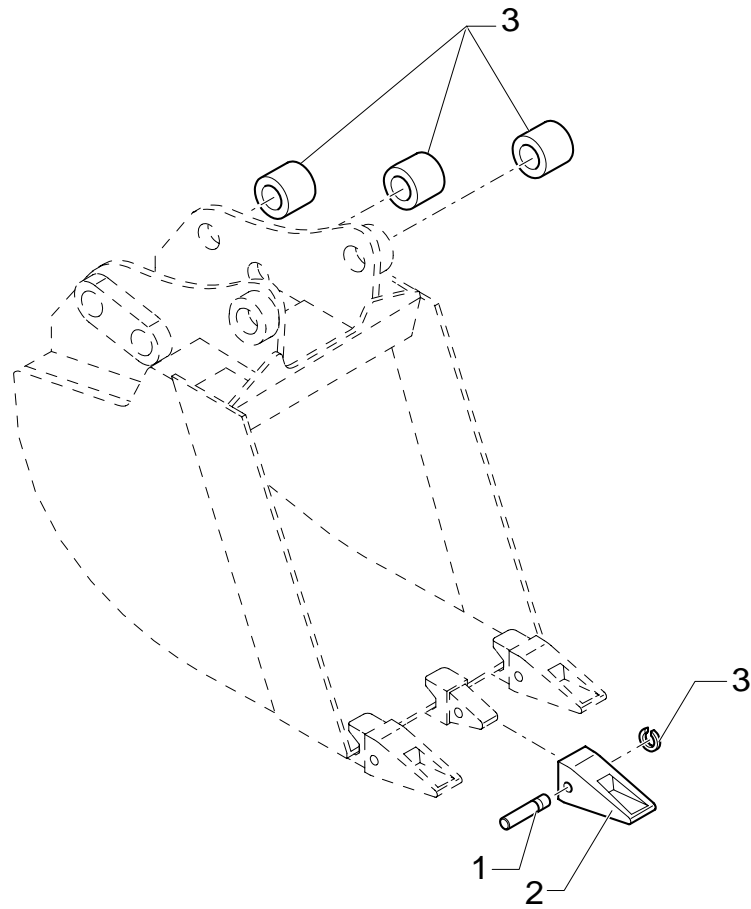
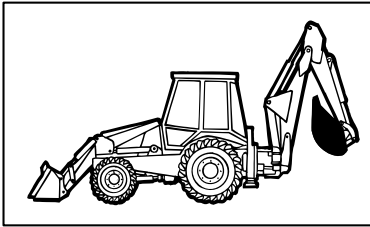
530

01

p1

02/05

PIN TOOTH KIT, 12" (305MM) BACKHOE BUCKET



DITCH CLEANING BUCKET

REF	FN	PART NUMBER	YR/SN	QTY	DESCRIPTION
-----	----	-------------	-------	-----	-------------

1		85824356		1	BUCKET
---	--	----------	--	---	--------

--

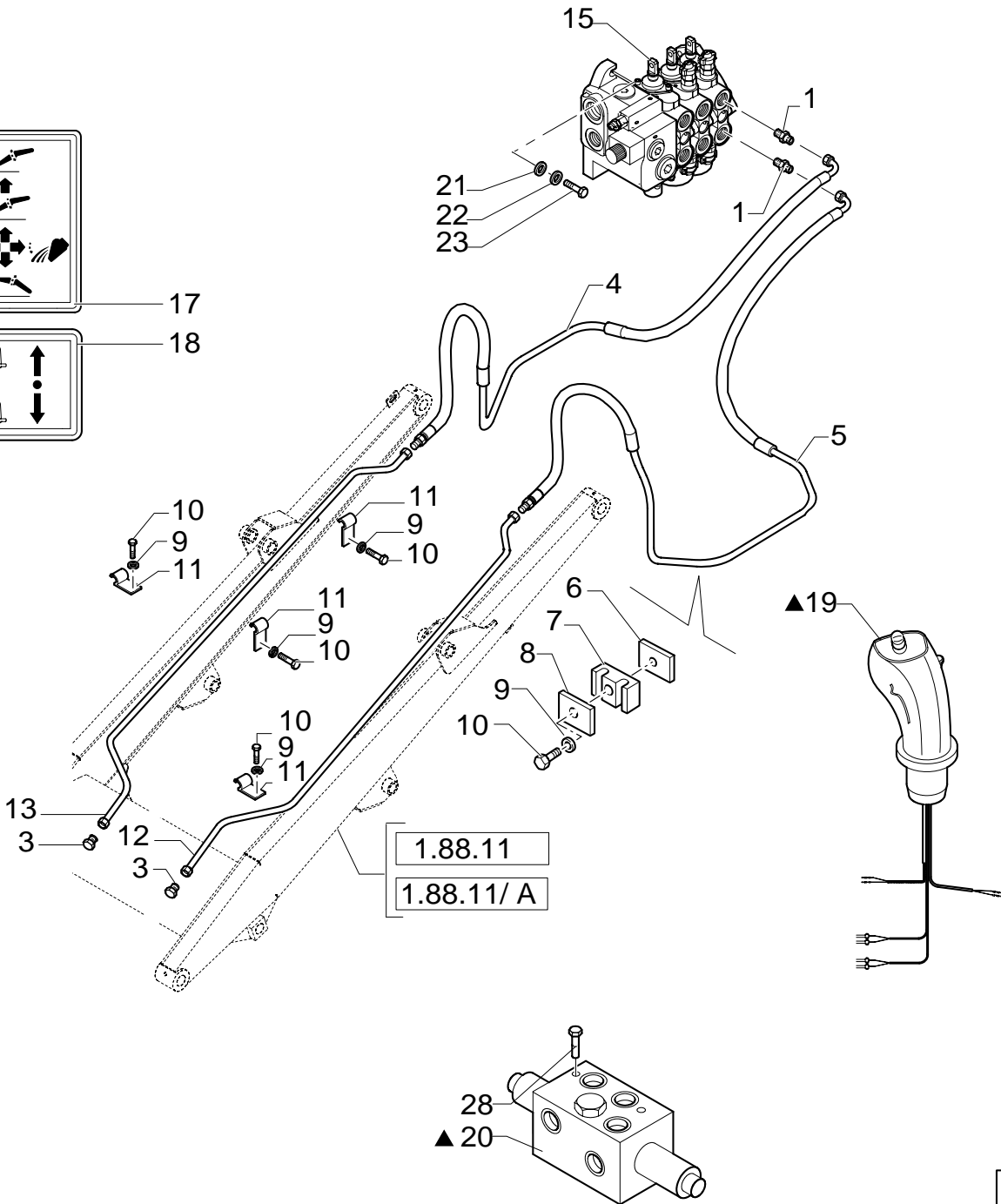
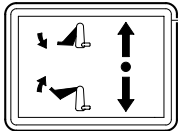
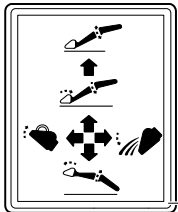
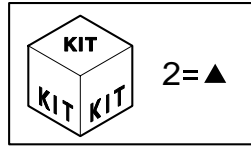
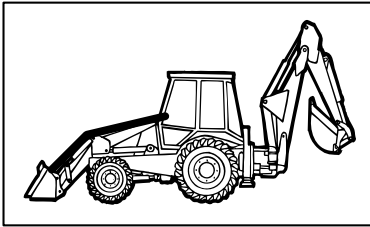
700/ 2

01

p1

12/05

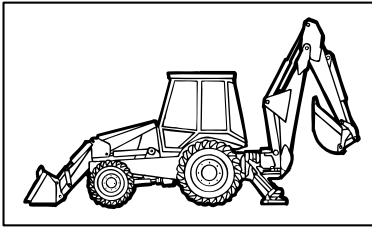
4X1 & 6X1 BUCKET HYDRAULIC LINES (P. SHUTTLE)



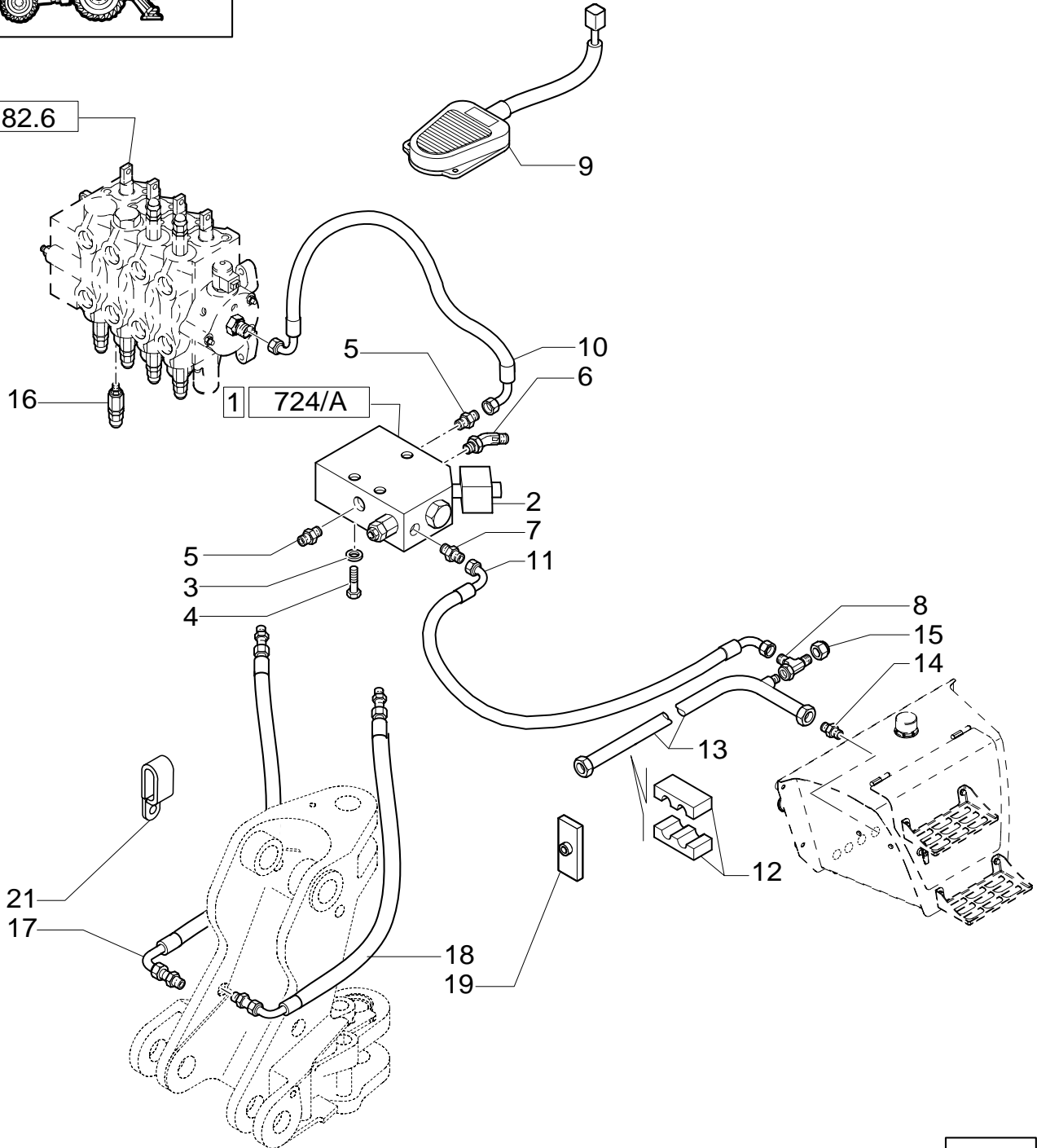
## HYDRAULIC SYSTEM FOR HAMMER (CENTER PIVOT)

REF	FN	PART NUMBER	YR/SN	QTY	DESCRIPTION
1		87358199		1	VALVE, HYDRAULIC
2		87357715		1	SENDER UNIT
3		11193879		3	WASHER, LOCK
4		16044821		3	SCREW M8x80
5		85803486		2	CONNECTOR, HYD.
6		85803487		1	ELBOW
7		390951S36		1	CONNECTOR, HYD.
8		85807876		1	CONNECTOR, HYD.
9		85826123		1	SWITCH, ASSY
10		85802776		1	HOSE, FLEXIBLE
11		85803428		1	HOSE, FLEXIBLE
12		85819237		1	CABLE, ELECTRIC
13		85816760		1	PLATE, COVER
14		13272477		2	SCREW
15		85817633		1	HOSE, FLEXIBLE
16		85817629		1	TUBE, RIGID
17		85819492		1	CLAMP
18		85802214		2	SUPPORT
19		16104111		1	NUT
20		85804442		2	BRACKET
21		16044221		1	SCREW M8x1.25x50
22		85802801		1	CONNECTOR, HYD. 1-11/16"-12 ORS x 1-5/16"-12 SAE O-ring
23		85827926		1	TUBE, RIGID
24		E9NNP864BA		1	PLUG
25		9968595		1	VALVE, HYDRAULIC
26		85817635		1	HOSE, FLEXIBLE 1400 mm (55-1/8 in)
27		85817634		1	HOSE, FLEXIBLE 1750 mm (68-29/32 in)
28		85820222		1	PLATE, COVER
30		167266		2	O-RING 90 Duro, .924" ID x .116" Thk
29		9993141		2	O-RING 90 Duro, .364" ID x .070" Thk

HYDRAULIC SYSTEM FOR HAMMER (SIDE SHIFT EUROPA)



1.82.6



**732/ A**

01

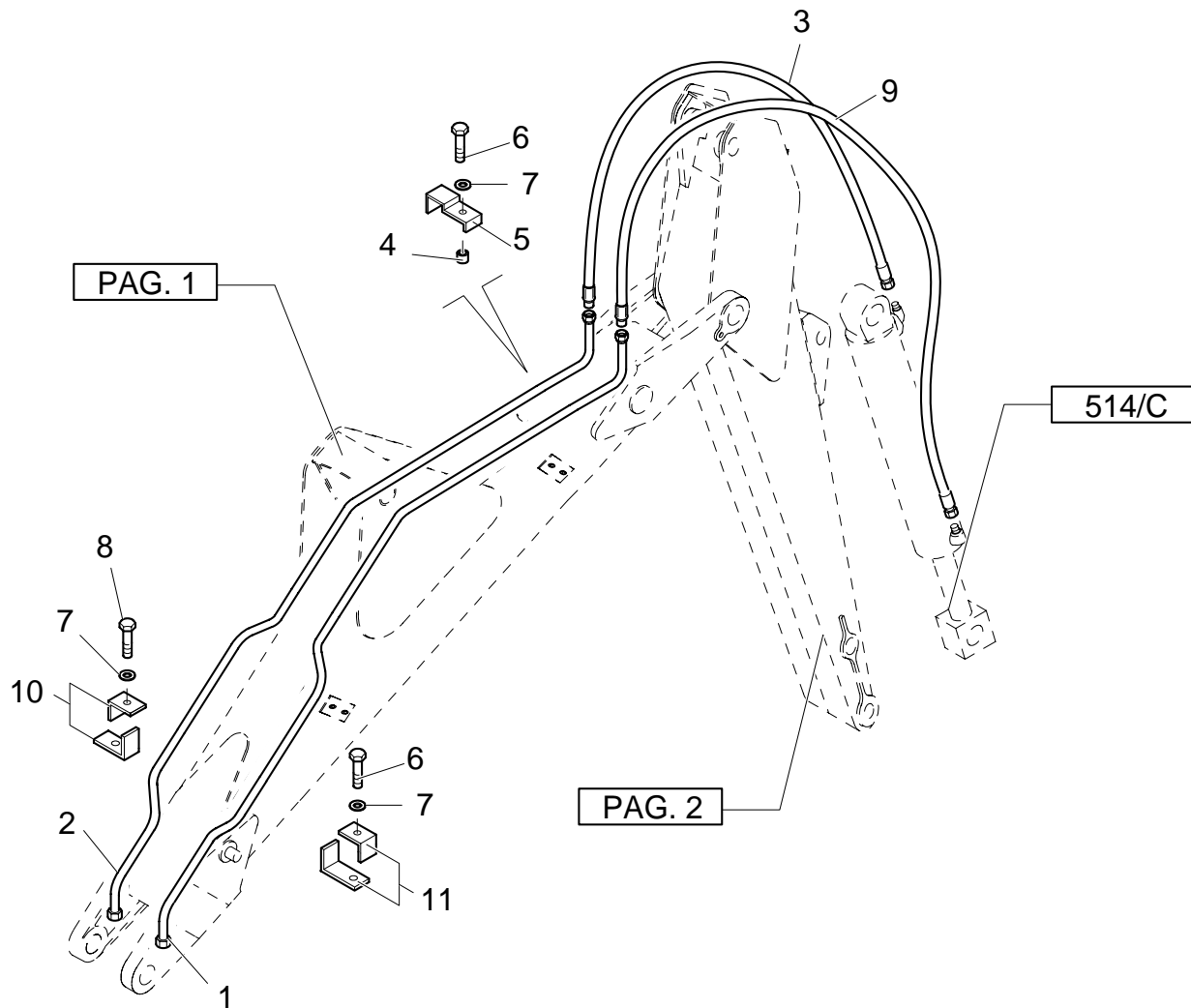
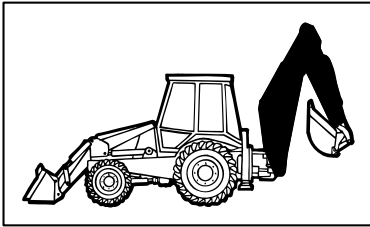
p1

12/05

## REAR MECHANICAL QUICK-COUPLING

REF	FN	PART NUMBER	YR/SN	QTY	DESCRIPTION
1		85801542		1	COUPLING, QUICK, MALE
2		{85827551}		1	
3		{87302836}		1	
4		85824266		1	NIPPLE, LUBE
5		87302837		1	PIN
6		87302838		1	PIN
7		85825285		1	PIN
8		85824265		1	PIN
9		87302840		1	SPRING
11		85824267		1	HANDLE
12		85803005		2	PIN
13		12574511		2	NUT
14		15972034		2	BOLT M10x110

LONG DIPPER - HYDRAULIC SYSTEM



## TELESCOPIC DIPPER LONG

REF	FN	PART NUMBER	YR/SN	QTY	DESCRIPTION
1		85817137		1	ARM, LIFT
2		D7NNC512F		2	BUSHING
3		D9NNC513CA		2	SEAL PROTECTION
4		85801310		1	PIN
5		85801309		1	PIN
6		N800271S36M		4	RING
7		11124421		8	SCREW
8		14497121		8	WASHER
9		85801307		40	WASHER
10		85808473		4	PAD, SLIDING
11		85808472		4	PAD, SLIDING
12		16105011		1	NUT
13		11190579		8	WASHER, LOCK
14		11106721		8	SCREW
15		14332521		1	SCREW
16		85802534		2	KIT
17		85803289		2	PLATE, COVER
18		16044121		2	SCREW
19		D9NNC513BA		4	SEAL PROTECTION
20		85801314		1	PIN
21		7704794		2	PIN, SPLIT (COTTER)
22		85801308		1	PIN
23		D7NNC512H		4	BUSHING
24		14497401		2	WASHER, LOCK
25	1	85817138		1	ARM, LIFT
26	2	85802750		1	ARM
27		85803088		2	CLAMP

(1) Includes 2, 3

(2) Includes 19, 23

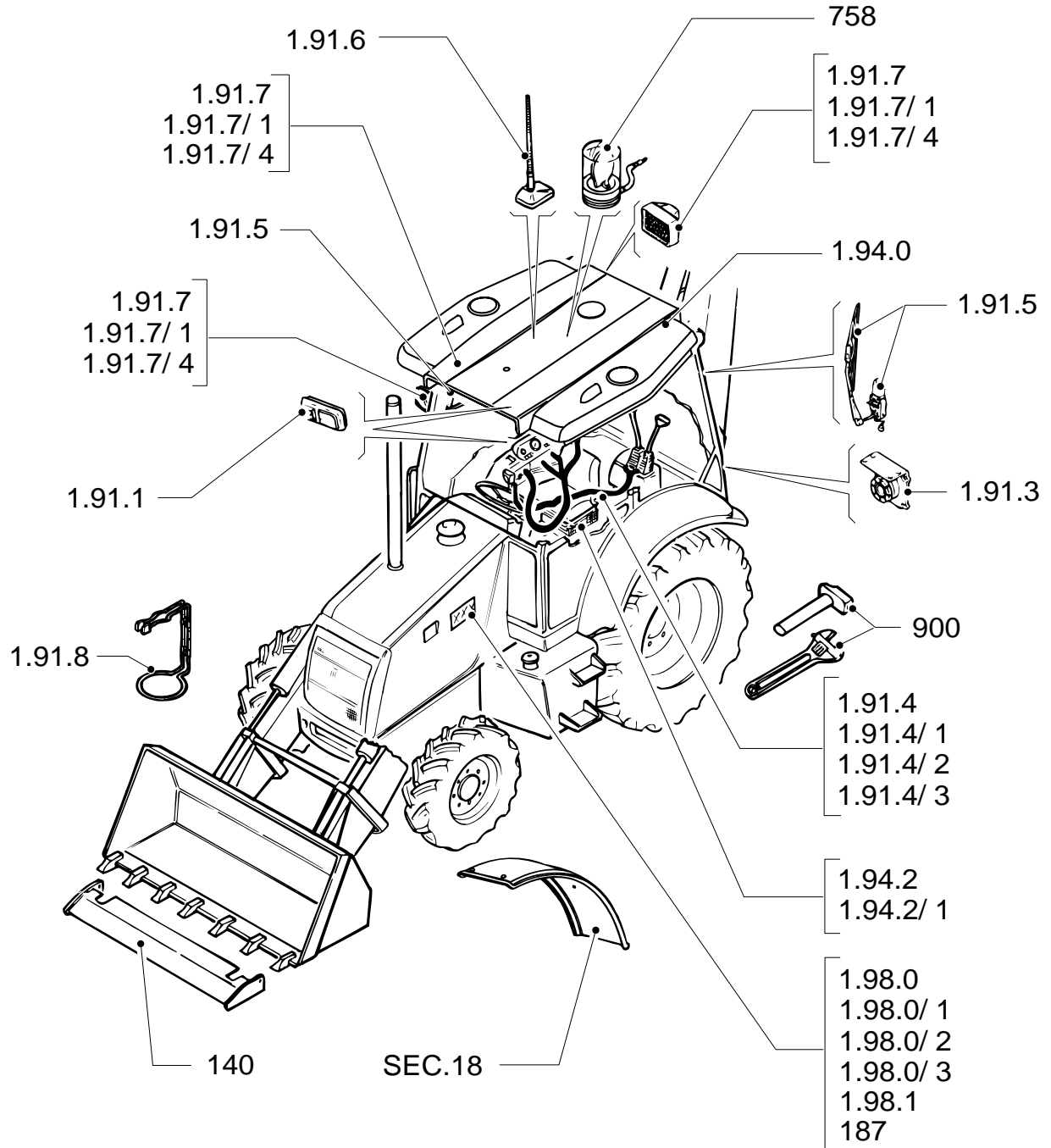
**SEC. 10**

00

p1

02/05

BODY, HOOD & DRIVER'S POST 1/3

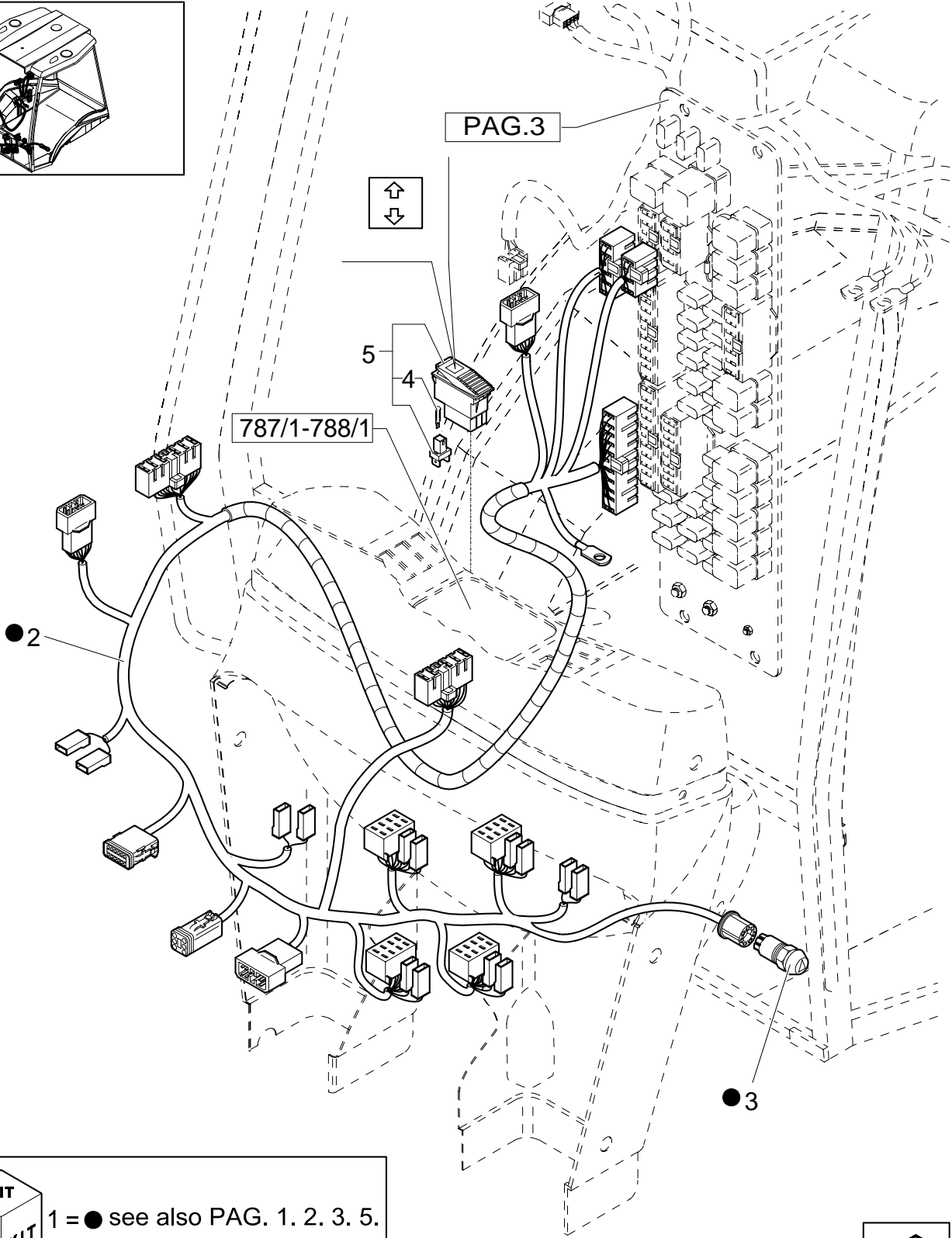
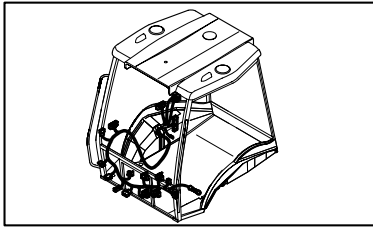



CAB / CEILING LIGHT

REF	FN	PART NUMBER	YR/SN	QTY	DESCRIPTION
1		82022833		1	LAMP, CEILING

--

IGNITION SWITCH, POWER POINT, FUSE PANEL & SIDE CONSOLE HARNESS (ROPS CP POWER SHUTTLE)



 1 = ● see also PAG. 1. 2. 3. 5.

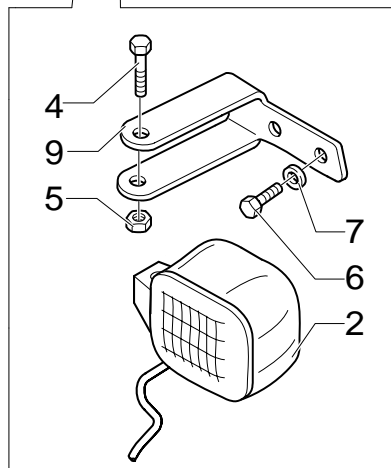
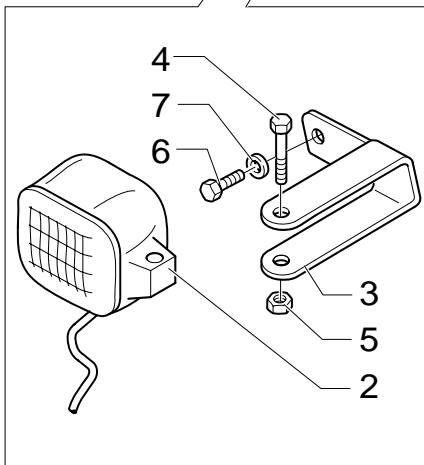
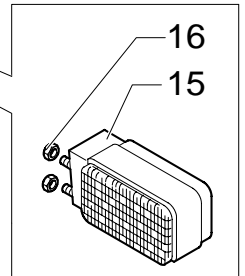
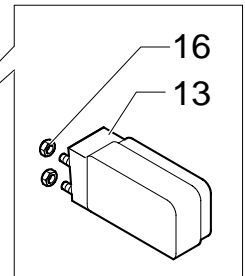
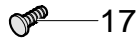
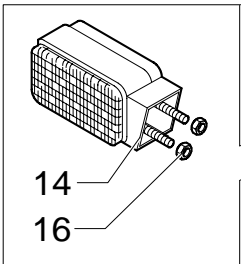
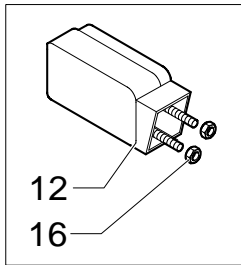
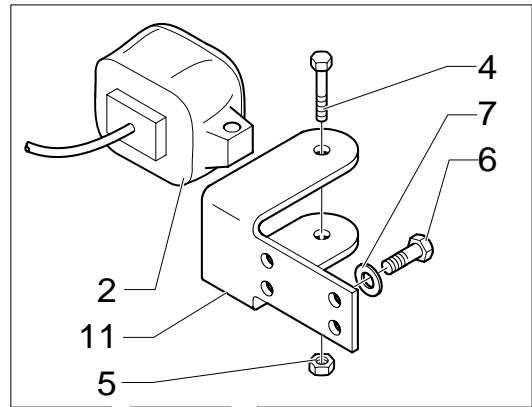
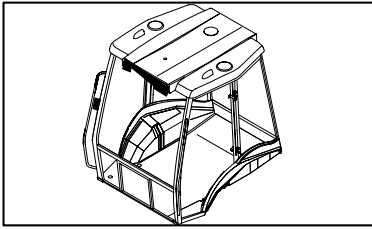


## IGNITON SWITCH, POWER POINT, FUSE PANEL &amp; SIDE CONSOLE HARNESS (CAB CP POWER SHUTTLE)

REF	FN	PART NUMBER	YR/SN	QTY	DESCRIPTION
1	1	{87318748}		1	
2		85818820		1	CABLE, ELECTRIC
3		85806133		1	PUSH BUTTON Hazard Switch

(1) See Page 1.91.4/2.01, 1.91.4/2.03, 1.91.4/2.04, 1.91.4/2.05

LAMPS & LIGHTS - ROPS (USA)



## ROPS - SAFETY FRAME

REF	FN	PART NUMBER	YR/SN	QTY	DESCRIPTION
1	1	87410409		1	FRAME ASSY
2		85801863		1	BRACKET
3		13271814		6	SCREW M4X8
4		85805067		2	COVER
5		85807880		8	PLATE
6		NSS		1	NOT SERVICED SEPARATELY
7		15896219		4	NUT M6

(1) Includes 2, 6, 7

Pilot Control Version

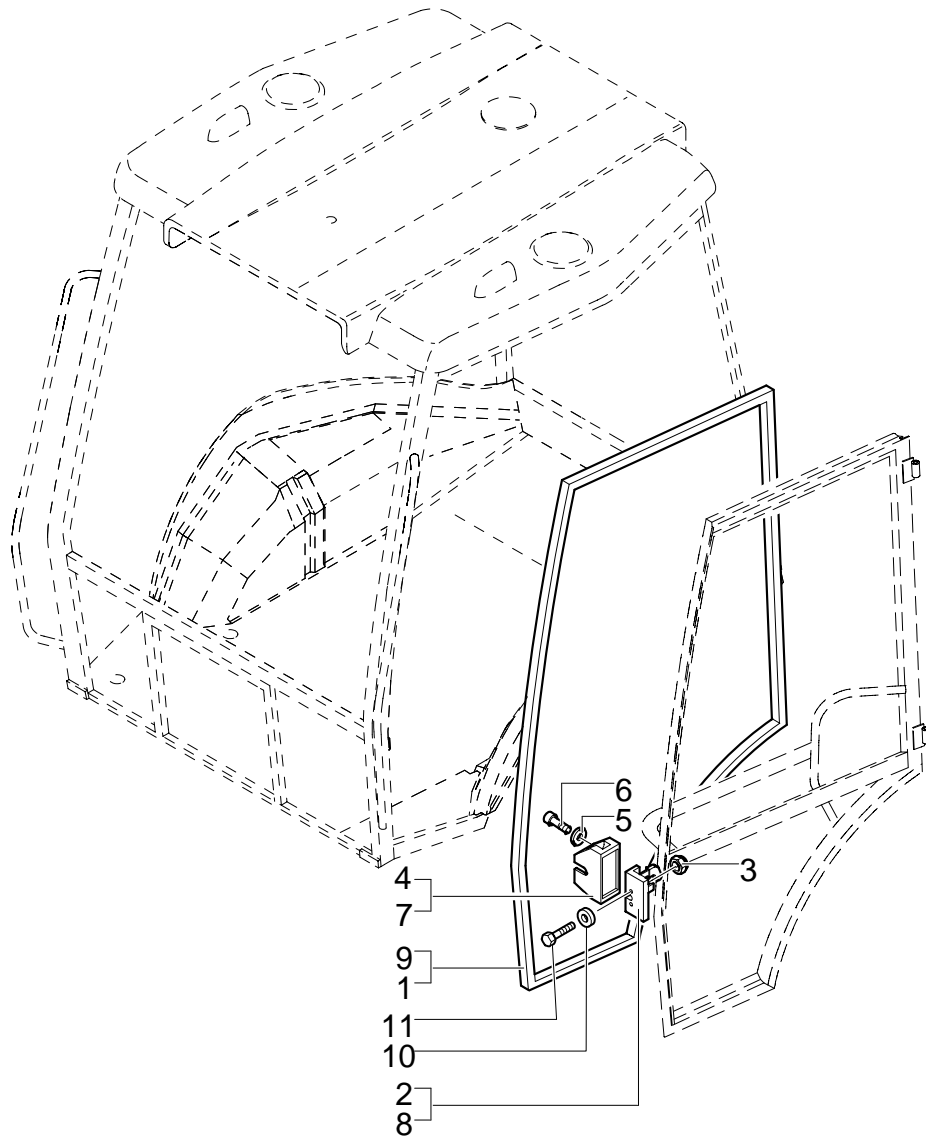
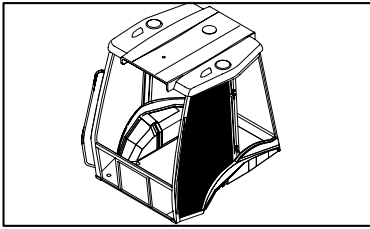
1.92.6

01

p1

01/06

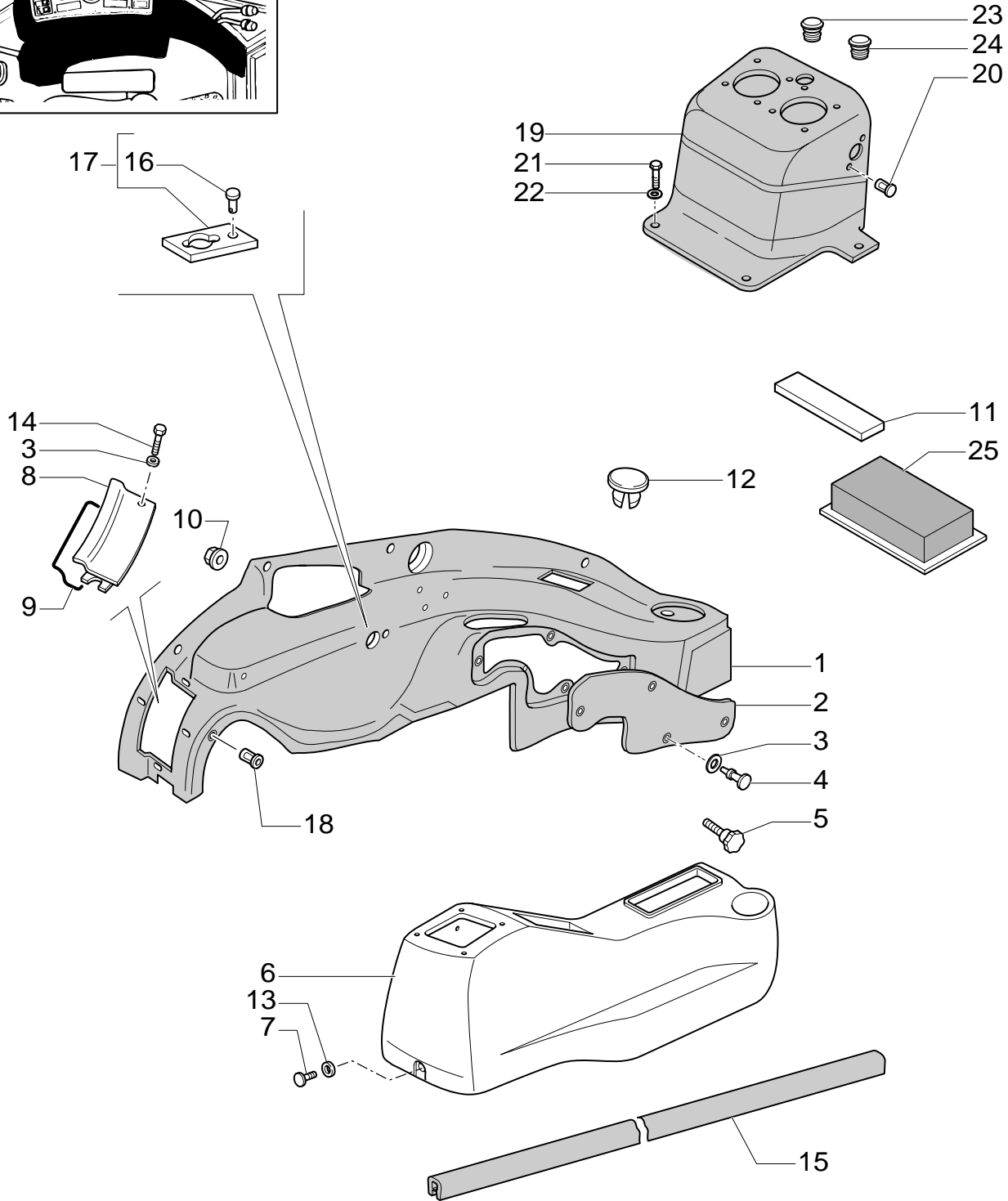
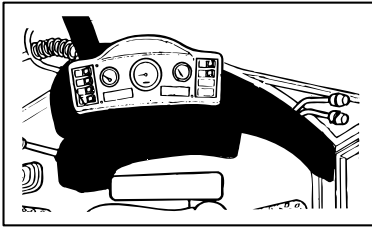
DOOR COMPONENTS



## REAR WINDOWS

REF	FN	PART NUMBER	YR/SN	QTY	DESCRIPTION
1		85801812		1	TIE-ROD RH
2		85801813		1	TIE-ROD LH
3		85801814		12	SPACER
4		85801815		2	BUSHING
5		12646904		4	WASHER
6		16104111		4	NUT
7		85801816		2	SUPPORT
8		12638501		4	WASHER
9		14306424		4	SCREW
10		12647004		2	WASHER
11		15811387		4	PROTECTION CAP
12		13276217		2	SCREW M6X16
13		5132136		2	GUARD
14		85801827		2	SHOCK ABSORBER
15		14496407		4	WASHER
16		12574215		4	NUT
17		85812364		1	COLLAR, RETAINER

RH & BACKHOE CONSOLE TRIM, ROPS (CENTER PIVOT)



**1.93.0/ 6A**

01

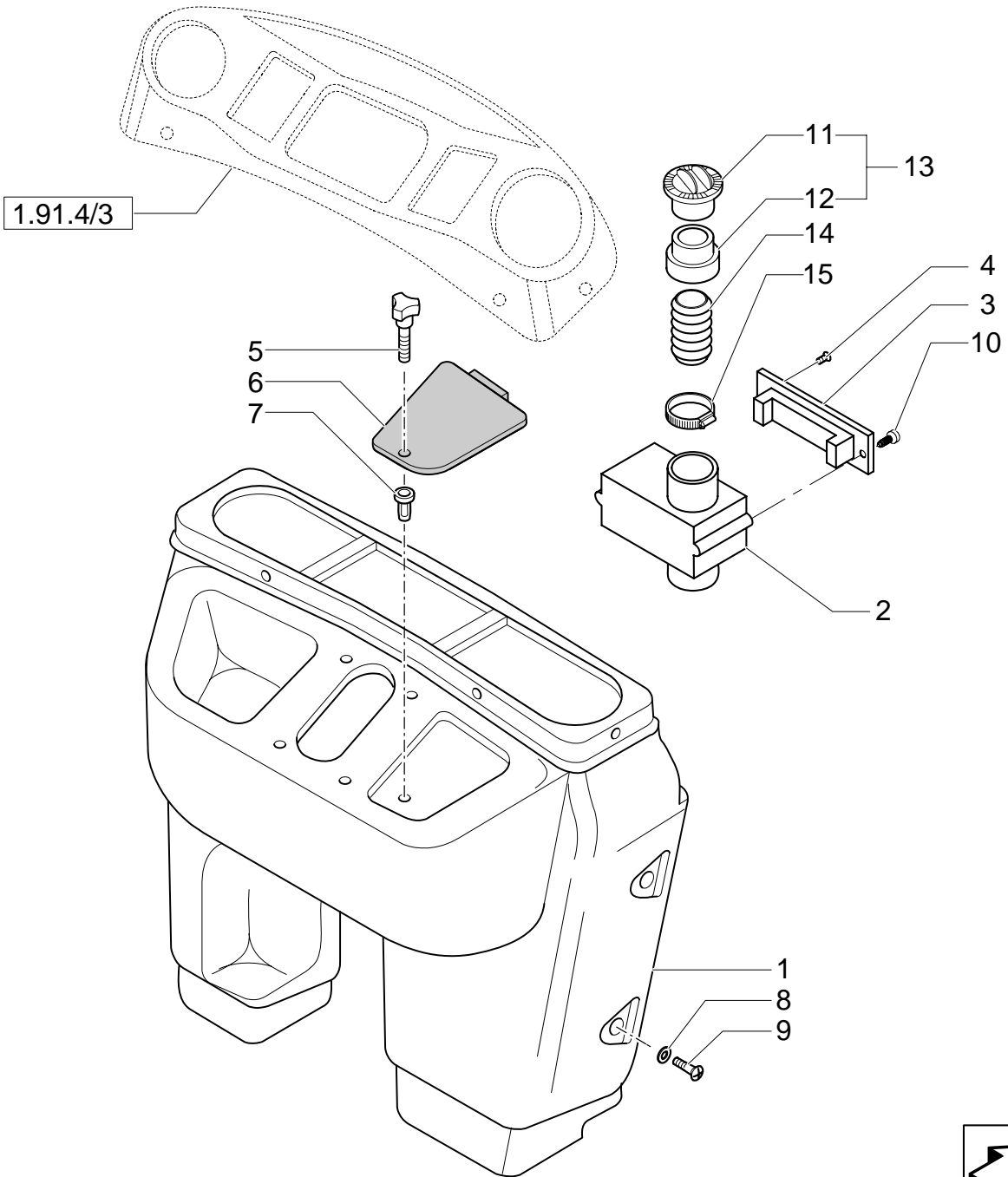
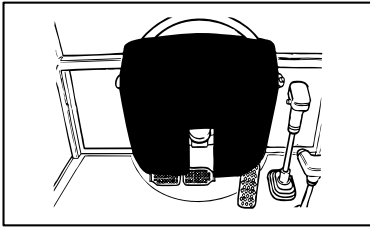
p1

02/05

ROOF, ROPS

REF	FN	PART NUMBER	YR/SN	QTY	DESCRIPTION
1		85817287		1	STRIP-GASKET
2		13311217		5	SCREW M5x20
3		85801991		5	WASHER

CAB / PANEL DASH



## CAB-SAFETY FRAME / BRAKE PEDAL

REF	FN	PART NUMBER	YR/SN	QTY	DESCRIPTION
1	1	85805257		2	MASTER CYLINDER
2		5155381		2	PIN
3		11064176		2	CLIP
4	2	11193874		4	WASHER, LOCK
5	3	14306324		4	SCREW M8X20
6		13423271		4	CLIP, HOSE
7		87302705		2	SHEATH, FLEXIBLE
8		85801941		2	RING, RUBBER
9	4	82003369		1	TANK
11		11193274		2	WASHER, LOCK M6X15X1.2
12		85801092		1	BRACKET
13		14560187		1	COLLAR
14		4858607		8	GASKET
15		5155701		1	TUBE, RIGID
16		5155703		4	CONNECTOR, HYD.
17		85801093		1	STRIP-GASKET
19		85824114		2	PUMP, HYDRAULIC
20		13399076		2	RING
21	5	85806176		AR	PLUG
10		10902624		2	SCREW

- (1) Only for LB90.B - LB95.B - LB110.B  
(2) Only for ROPS  
(3) Only for CAB  
(4) Brake Fluid, Cap is P/N 85806176  
(5) Not Illustrated

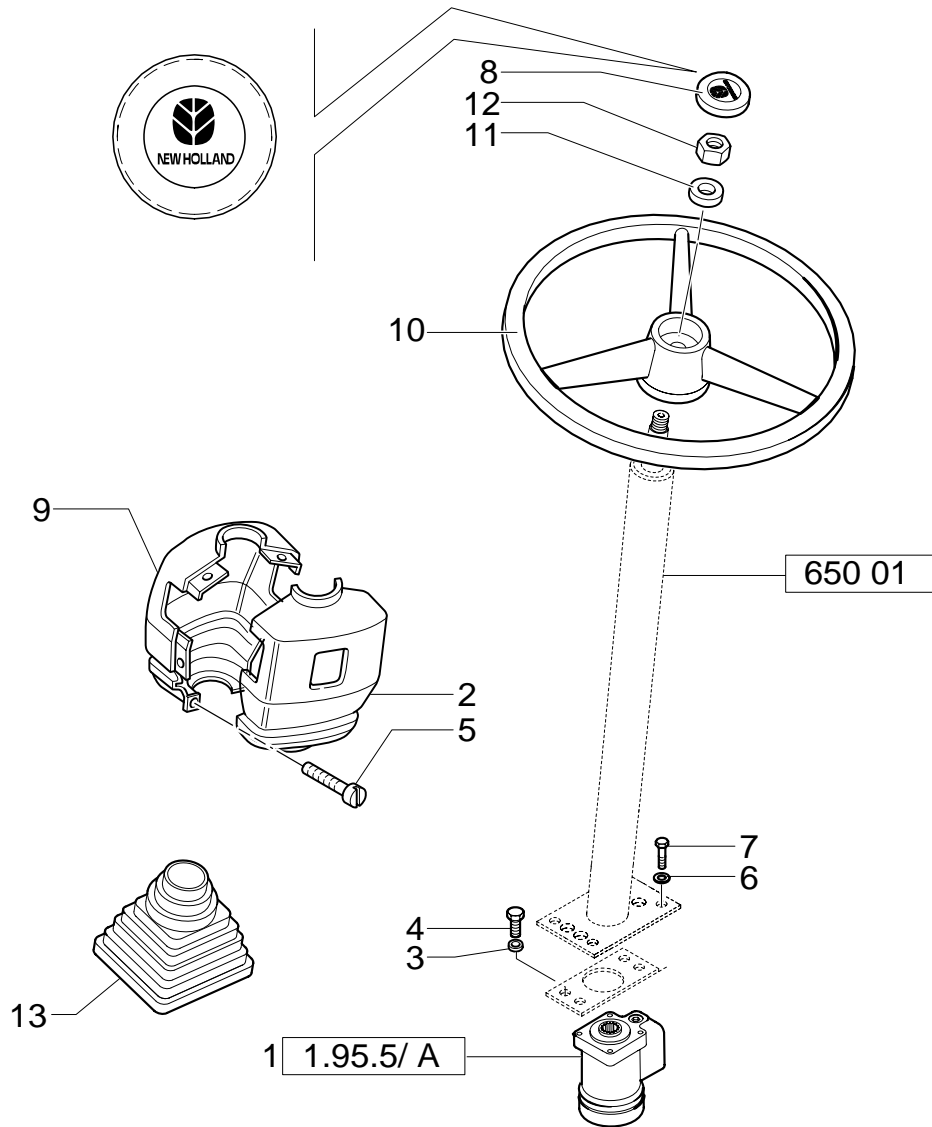
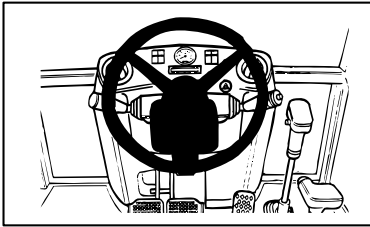
1.95.5

01

p1

12/05

POWER STEERING MOTOR, WHEEL & COLUMN TRIM (NA)



**1.96.0**

01

p1

11/05

FOWARD/REVERSE & MULTI-PURPOSE LEVER (POWER-SHUTTLE - CENTER PIVOT)

REF	FN	PART NUMBER	YR/SN	QTY	DESCRIPTION
1		85801938		1	REVERSER
2		85801939		1	SHUNTER CAB
3		14304724		2	SCREW M5X50 CAB
4		14301521		2	SCREW M5X60 ROPS
5		85804676		1	U-BOLT ROPS
6		12574111		2	NUT ROPS

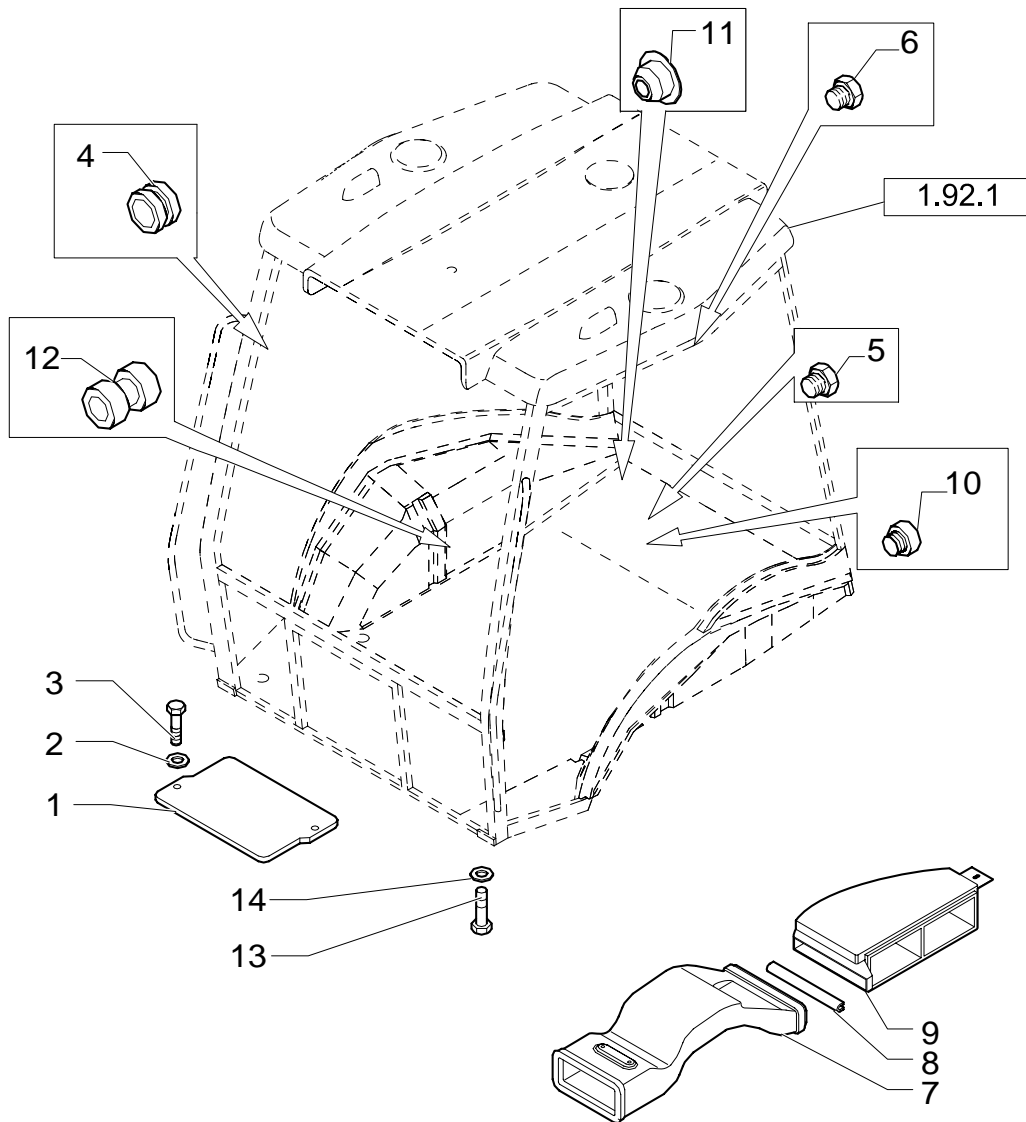
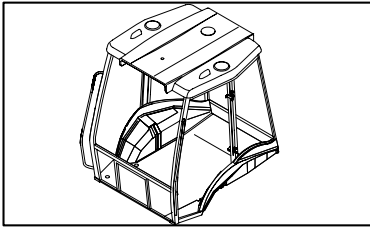
1.96.7/ 6

01

p1

08/05

CAB PLUGS, FLOOR PLATES & AIR CONVEYER, CENTER PIVOT



**1.98.0**

03

p2

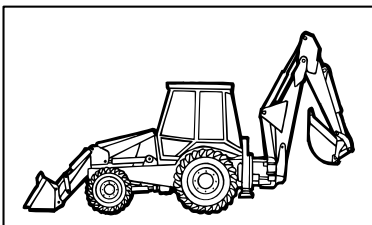
12/05

BACKHOE, LOADER & ENGINE WARNING DECALS (POWER SHUTTLE)

REF	FN	PART NUMBER	YR/SN	QTY	DESCRIPTION
10		87446610		1	DECAL FRENCH
10		87446612		1	DECAL SPANISH
10	1	87363002		1	DECAL ENGLISH
10	1	87378869		1	DECAL SPANISH
10	1	87378871		1	DECAL FRENCH

(1) Only for B95, B95LR, B110

B95LR MODEL IDENTIFICATION



1

2



## A/C &amp; HEATER CONSOLE DUCTS

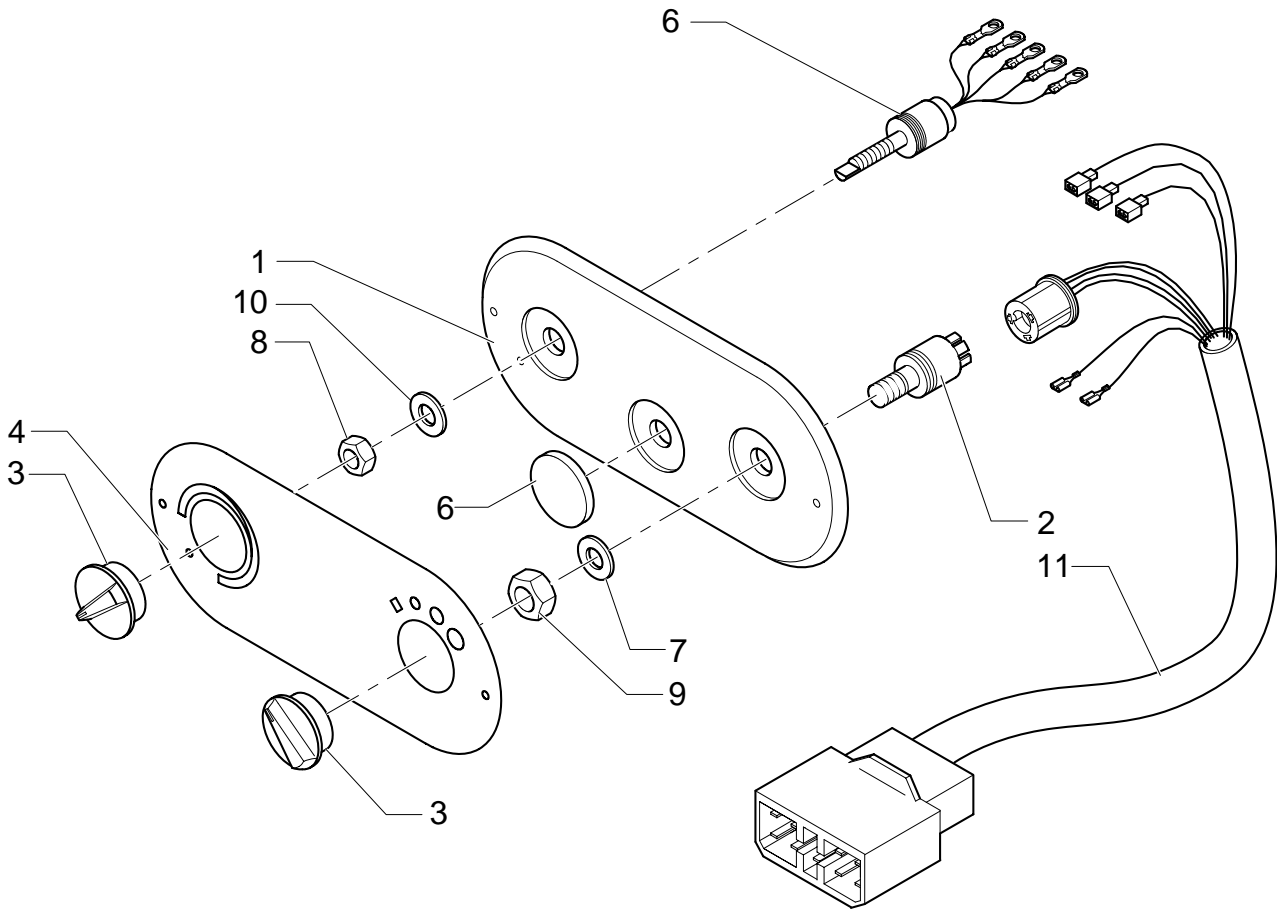
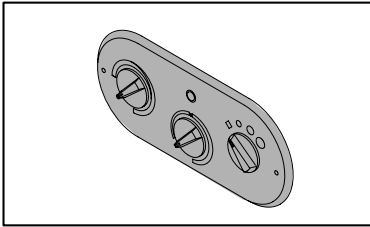
REF	FN	PART NUMBER	YR/SN	QTY	DESCRIPTION
1		85819452		5	PIPE
2		85819451		1	PIPE
3		87314771		1	HOSE, FLEXIBLE
4		87314772		2	HOSE, FLEXIBLE
5		87314773		1	HOSE, FLEXIBLE
6		87319448		1	HOSE, FLEXIBLE
7		85819454		2	DIFFUSER
8		87314946		1	SPOUT, DISCHARGE
9		87314947		1	SPOUT, DISCHARGE
10		87314948		1	SPOUT, DISCHARGE
11		85819453		1	CONNECTOR, HYD.
12	1	85819544		2	DIFFUSER
13	1	70741298		2	DIFFUSER
13	2	{87362068}		4	
14		{15915901}		4	
15		87319437		1	HOSE, FLEXIBLE
17		87314767		2	HOSE, FLEXIBLE
18		87314769		2	HOSE, FLEXIBLE
20		13000990		2	CLIP, HOSE
21		87319443		1	HOSE, FLEXIBLE
22		5112712		12	COLLAR
23		87319453		2	CONNECTOR
24	1	85818891		1	JOINT, UNIVERSAL
25		85813324		6	COLLAR
26		14440327		4	SCREW

(1) UP TO S/N XXX

(2) FROM TO S/N XXX

Mechanical Version, From To S/N XXX

A/C & HEATER CONTROL PANEL

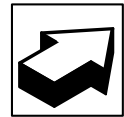
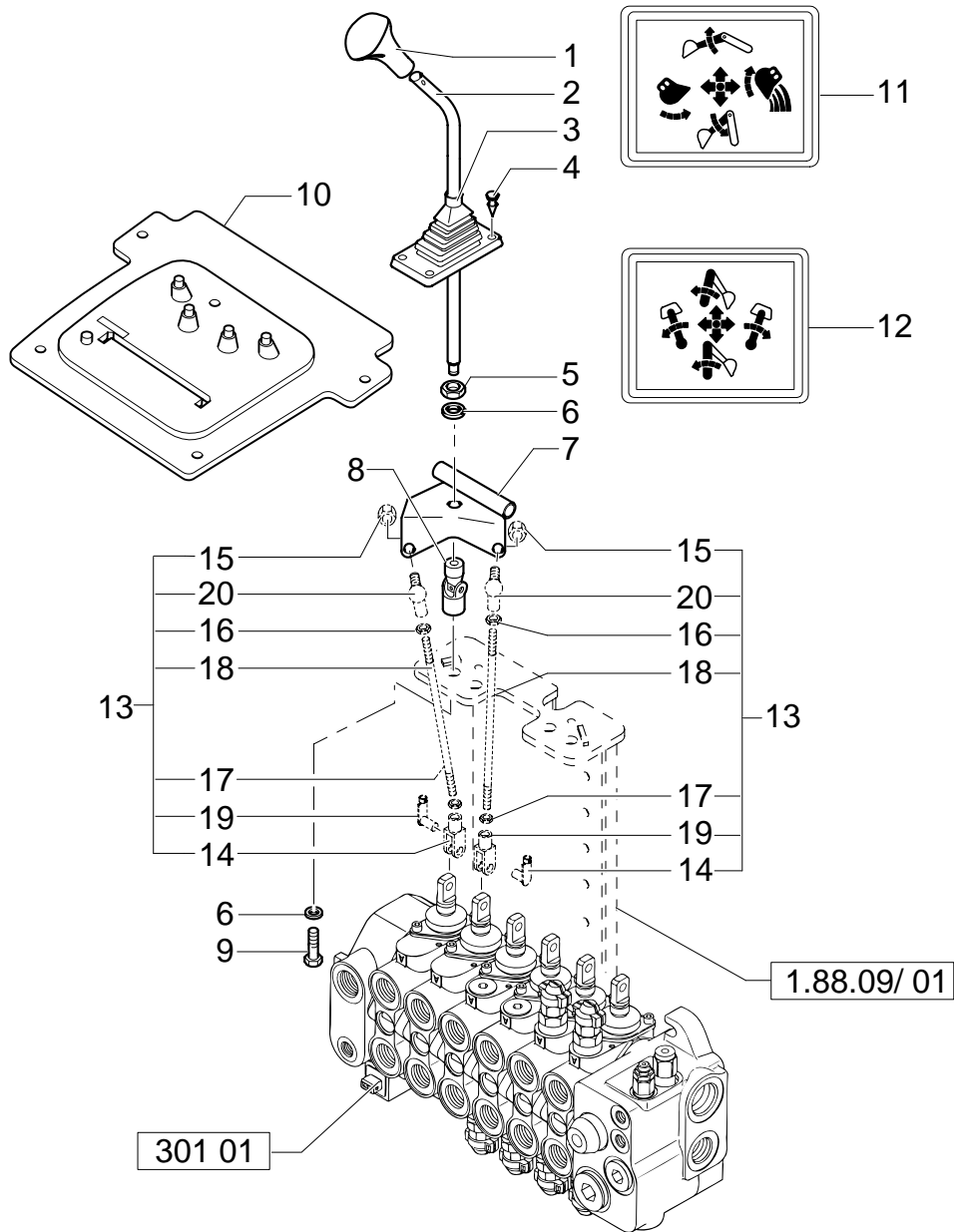
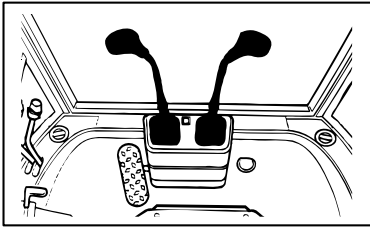


## CASE 3 LEVER BACKHOE CONTROLS, BUCKET TIE-ROD ASSEMBLY

REF	FN	PART NUMBER	YR/SN	QTY	DESCRIPTION
1		85805625		1	SUPPORT W/CAB
1		85805040		1	SUPPORT W/ROPS
2		85802494		AR	BUSHING 16X19X8
3		16043621		4	SCREW M8X25
4		16104111		4	NUT M8
5		85805043		1	LEVER, IDLER
6		13940370		1	PIN, ROLL
7		85805042		1	PIN
8		85803447		1	TIE-ROD
9		85802738		4	PIN
10		10007871		2	YOKE RH
11		16102311		2	NUT RH
12		16102911		2	NUT LH
13		11991971		2	YOKE LH
14		85805046		1	TIE-ROD

Mechanical Version

2 LEVER BACKHOE CONTROLS, LEVER, BOOT & DECALS



**394/ 1**

02

p1

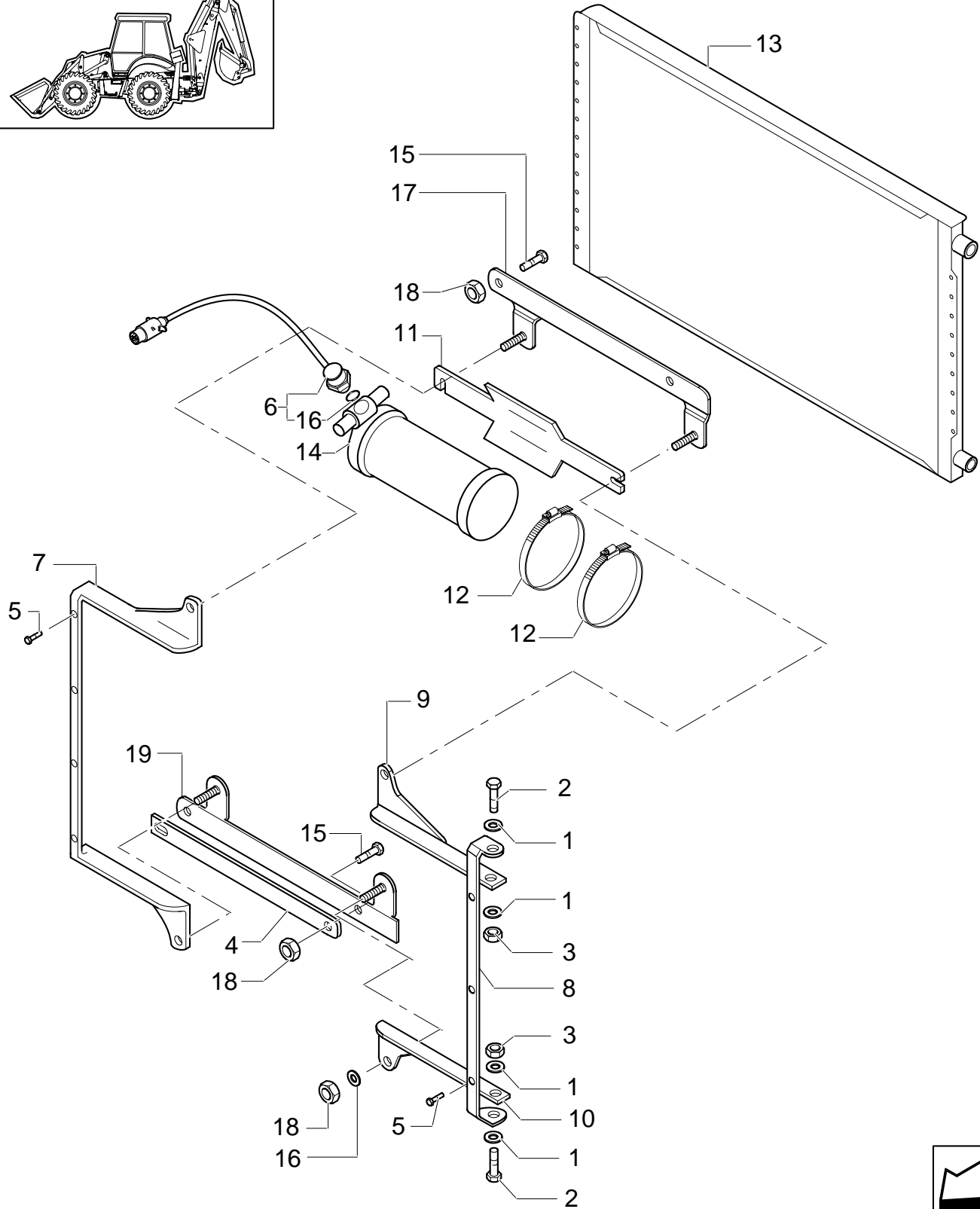
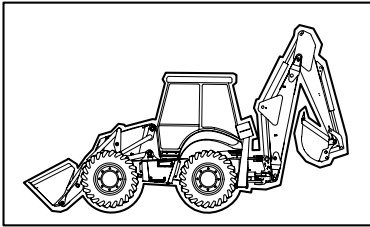
02/05

4 LEVER BACKHOE CONTROLS, UPPER TIE-ROD ASSEMBLY, CENTER PIVOT

REF	FN	PART NUMBER	YR/SN	QTY	DESCRIPTION
1		85804803		3	TIE-ROD
2		14048211		3	NUT
3		85804375		3	JOINT, UNIVERSAL
4		16102311		3	NUT
5		16102911		3	NUT
6		11991971		3	YOKE
7		85802738		3	PIN
8		85803917		1	DECAL

Mechanical Version

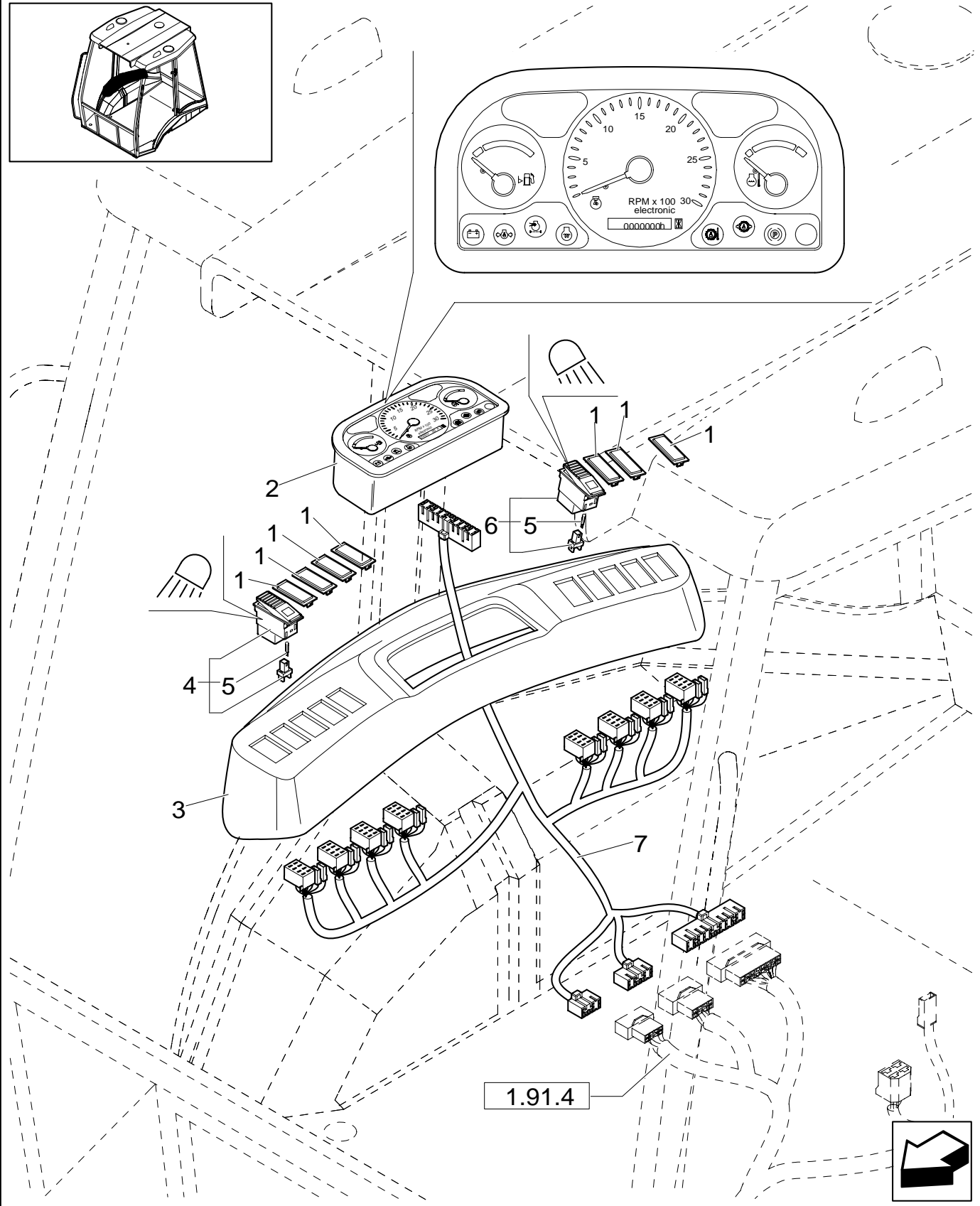
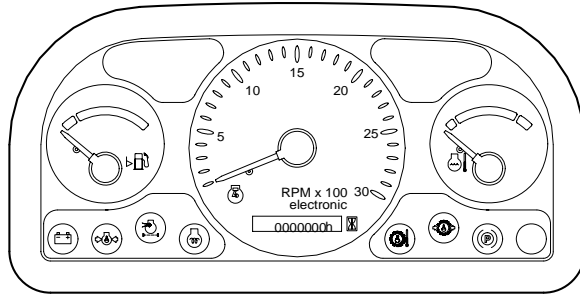
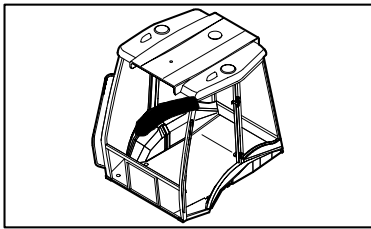
A/C FILTER & CONDENSER ATTACHING GROUP



FRONT CONSOLE WITH SPEEDOMETER, 4WD

REF	FN	PART NUMBER	YR/SN	QTY	DESCRIPTION
1		85817587		1	INSTRUMENT CLUSTER
2		85804156		1	SENSOR

RH CONSOLE WITH INSTRUMENTS

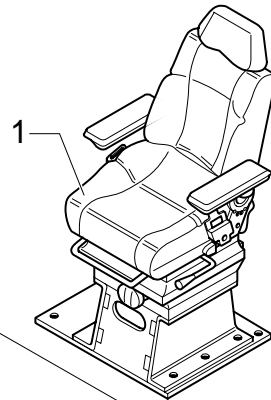
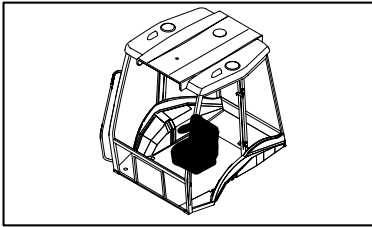


**AIR RIDE CLOTH SEAT & ATTACHING HARDWARE - CABINE**

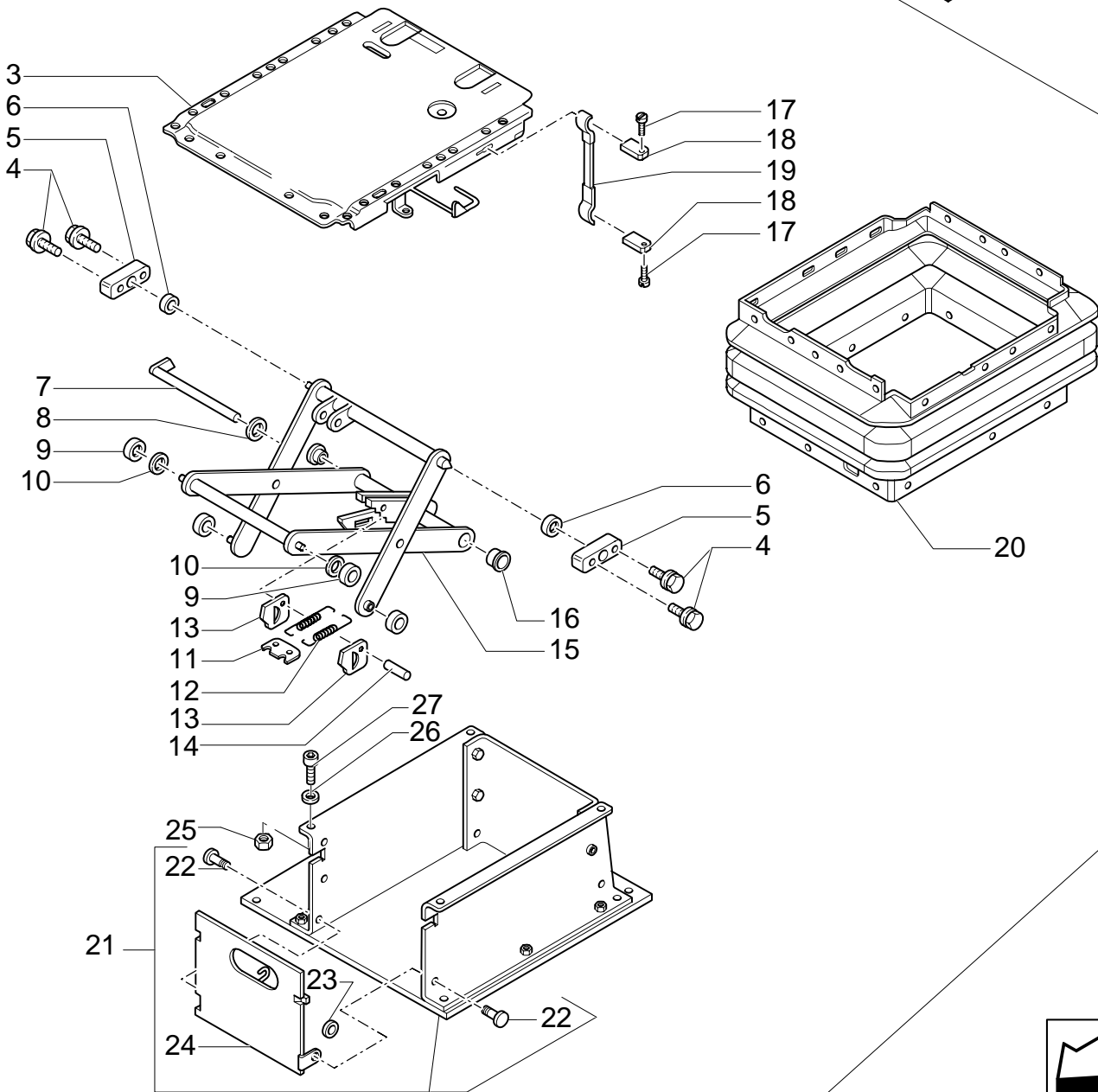
REF	FN	PART NUMBER	YR/SN	QTY	DESCRIPTION
1	1, 2, 3	87364045		1	SEAT ASSY.
1	1, 4	87364046		1	SEAT ASSY.
2	5, 2, 3	87364215		1	SEAT ASSY.
2	5, 4	87364216		1	SEAT ASSY.
3		16043424		8	SCREW Cap, HH, CL 8.8, M8x1.25x20
4		11198074		8	WASHER, SEALING

- (1) Mechanical Control Version
- (2) Only for EUROPE Version
- (3) 2" Seat Belt
- (4) 3" Seat Belt
- (5) Pilot Control Version

VINYL SEAT UPPER SUSPENSION PARTS (ROPS)



2 SEE ALSO PAG. 04



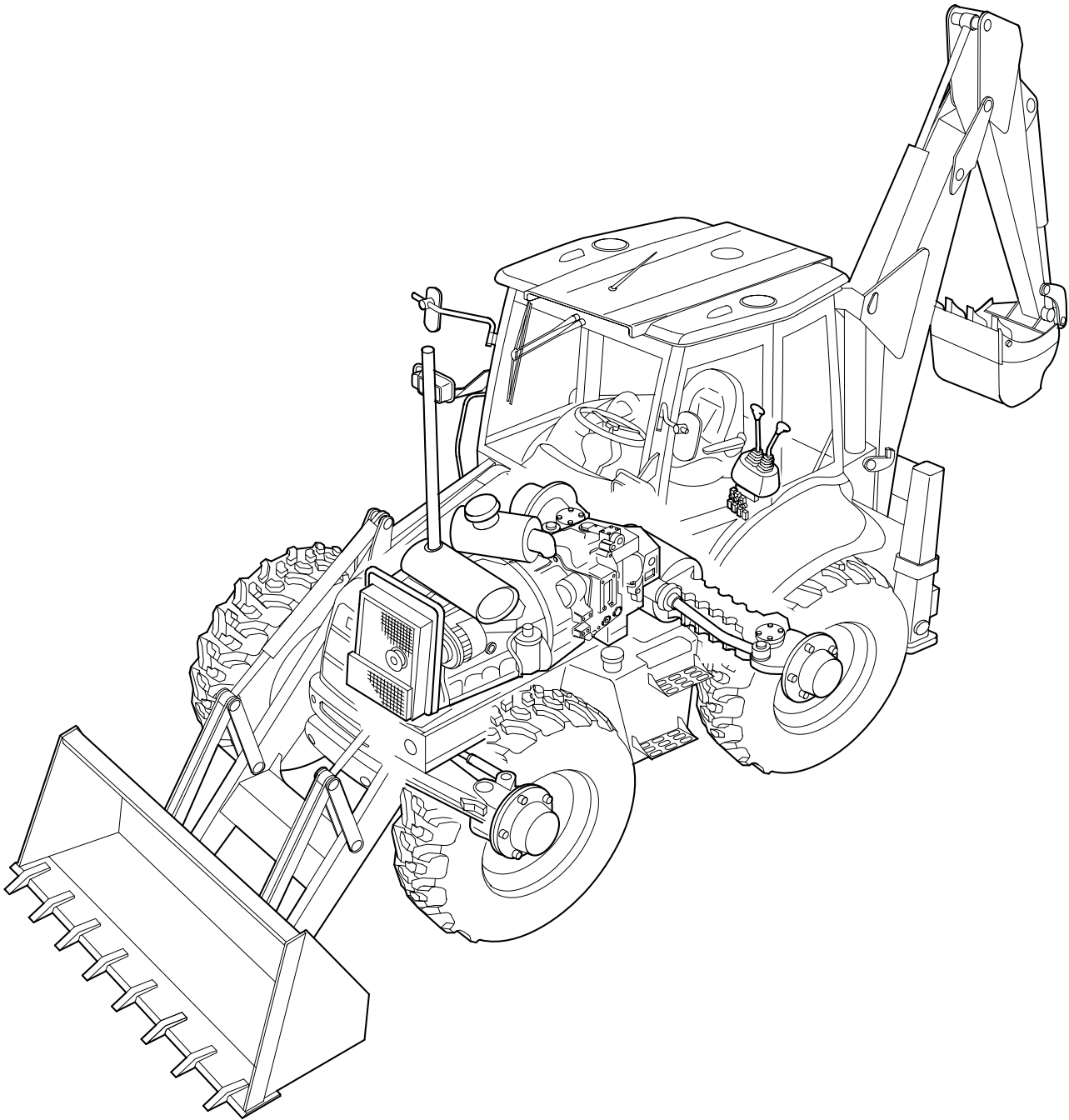
---

## SECTION INDEX

---

SEC. 11	00	WHEELS
81.00	01	FRONT WHEELS, 2WD
82.00	01	DRIVING WHEELS(4WD)
83.00	01	DRIVE WHEELS

VARIATION



4WD STEERING LOCK

REF	FN	PART NUMBER	YR/SN	QTY	DESCRIPTION
1		85816802		1	LOCK, CYLINDER
2		85803372		1	LOCK, CYLINDER

INDEX - INDICE - INDEX - ZAHLENVERZEICHNIS - INDICE - INDICE - INHOLD - INHOUD

Number	Figure	Sequence	Ref.	Number	Figure	Sequence	Ref.
304911S36	1.44.0E	04	14	47048668	637/ 2	01	8
322357	995	01	16	47048702	995	01	21
33799S36	536	01	5		995	02	21
33923S36	1.44.0E	04	3	47048759	637/ 2	01	3
33943S36	1.44.0E	04	17	47048760	1.82.6	05G	9
34670S36	536	01	9	47048788	131	01	6
380135S43	1.44.0E	03	29		321	01	9
384909S2	1.44.0E	03	39	47048896	1.94.2	03	4
386170C1	331/ C	06	5		1.94.2/ 1	03	4
	333/ B	06	5	47048898	1.15.0	01	5
390256S36	1.44.0E	04	4	47048959	1.96.2/ 1	01	4
390828S36	1.82.6	02A	2	47048961	331/ A	01	2
	1.82.6	02B	18		333/ A	01	2
	1.82.6	08A	4		995	01	10
	1.82.6	08C	4		995	02	10
	1.82.6	09A	1	47048962	1.19.1	01	6
	1.82.6	11A	2		1.82.0	01	28
	392	01	6		636	02	2
	392	02	4		636/ 2	02	2
	393	03	6		637	02	2
390937S36	1.82.6	01A	6	47048963	131	01	4
	1.82.6	01B	7		321	01	10
	1.82.6	04B	5		637/ 2	01	7
	1.82.6	11B	1	47048964	1.39.8	01	5
	1.82.6	12B	1		1.82.6	05F	8
	900	04	16		1.82.6	05G	12
	900	06	3	47048969	331/ B	01	8
390938S36	1.82.6	09B	1	47048972	1.15.0	01	6
	1.82.6	11B	4		1.82.0	01	24
	1.82.6	12B	4	47048973	1.14.0	01	4
	333/ B	07	3		1.82.0	01	14
	334	09	1	47048976	1.14.0	01	8
	900	04	17		1.82.0	01	9
	900	06	4		636A	01	6
	900	07	1	47048991	1.95.3	01	20
	900	08	1	47048992	331/ B	01	9
390951S36	1.82.6	03A	3		636A	04	3
	1.82.6	03B	3		995	01	17
	1.82.6	04A	11	47048993	1.75.2/ 3	02	9
	724	01	7	47048994	1.95.3	01	13
	724/ 3	01	7	47049010	1.75.2/ 3	02	10
	724/ 5	01	7	47049029	1.95.3	01	21
	724/ 6	01	7		995	01	15
390953S36	1.82.6	03B	17		995	02	15
	1.88.11/ 7	01	1	47049030	995	01	18
	1.95.5	02	3	47049031	1.75.2/ 3	02	11
	391	01	4	47049041	1.15.0	01	7
	391/ 1	01	4		1.82.0	01	25
	391/ 1	02	6		131	01	5
	437/ 1	01	5		321	01	5
	721	02	2		331/ B	01	10
390954S36	1.82.6	04A	1		331/ C	02	2
	1.82.6	04B	1		333/ B	02	2
390955S36	1.88.11/ 3	01	5		637/ 2	01	10
	725/ 1	01	1	47049078	331/ A	01	3
390967S36	391	01	7		333/ A	01	3
	437/ 1	01	4	47049082	1.82.6	02A	8
390989S36	704	02	3		331/ B	01	11
3947107	1.44.0E	03	38	47049086	637/ 2	01	2
412005	131	01	3	47049088	637/ 2	01	11
	321	01	2	47049094	1.88.11/ 1B	01	13
413-1036	1.82.6	10A	10	47049098	1.15.0	01	4
431045	1.44.0E	03	18	47049101	636A	02	5
44910052	1.92.6	01	2	47049149	1.95.3	01	12
44910053	1.92.6	01	8	47049157	995	01	12
47042074	1.82.0	01	34	47049160	1.19.1	01	7
47042364	1.39.8	01	9		636A	04	2
47043563	1.82.0	01	37	47049161	1.82.6	02A	12
47044673	1.94.2/ 1	03	8		1.82.6	05F	12
47044758	1.82.0	01	35		1.82.6	05G	13
47048328	1.82.6	05G	8	47049164	995	01	3
47048440	637/ 2	01	5	47049176	1.28.6	01	4
47048448	1.94.2	03	8	47049184	331/ B	01	12
47048450	1.19.1	01	13		636/ 2	02	4
47048451	1.94.2	03	9	47049185	1.75.2/ 3	03	10
	1.94.2/ 1	03	9		1.82.0	01	23
	646/ 1	01	7	47049186	1.15.0	01	8
47048646	637/ 2	01	6		1.75.2/ 3	03	11
47048653	1.94.2	03	6	47049187	637/ 2	01	4
47048664	1.39.8	01	4	47049195	995	01	9
	1.82.6	05F	11	47049372	1.28.0	01	19
	1.82.6	05G	11		1.28.0/ A	01	26

INDEX - INDICE - INDEX - ZAHLENVERZEICHNIS - INDICE - INDICE - INDHOLD - INHOUD

Number	Figure	Sequence	Ref.	Number	Figure	Sequence	Ref.
85811440	519	02	1	85812115	333/ 1	05	6
	526	01	1	85812116	302	04	8
	526/ 1	01	21		333/ 1	03	4
	527	01	1		333/ 1	06	6
	528	01	1		724/ 3	01	25
	529	01	1		724/ 5	01	17
	536/ 1	01	1		724/ 6	01	16
	555	01	1	85812117	333/ 1	03	6
85811870	1.82.6	01A	2	85812131	1.95.5/ A	01	14
	1.82.6	01B	2	85812132	1.95.5/ A	01	13
85811916	708/ 1	01	1	85812133	1.95.5/ A	01	16
85811921	331	01	12	85812134	1.95.5/ A	01	20
	333/ 1	01	13	85812135	1.95.5/ A	01	3
85811923	302	02	3	85812142	900	04	4
85811933	302	04	9	85812143	1.82.6	11A	6
	333/ 1	02	5		1.82.6	12B	5
	333/ 1	03	5	85812150	900	04	18
	333/ 1	04	5	85812151	1.82.6	11A	5
	333/ 1	05	4		1.82.6	12B	6
	333/ 1	06	4	85812152	1.82.6	11A	14
	333/ 1	08	5		1.82.6	11B	6
85811934	302	02	6	85812153	1.82.6	11A	8
	302	04	10	85812154	900	04	12
	333/ 1	02	2	85812155	1.82.6	11B	8
	333/ 1	03	2	85812161	1.82.6	02B	8
	333/ 1	04	2	85812165	901	03	6
	333/ 1	05	2	85812170	1.82.6	03B	1
	333/ 1	06	2	85812171	1.82.6	03A	1
	333/ 1	08	2		1.82.6	03B	2
85811937	333/ 1	05	3	85812173	1.82.6	03A	2
	333/ 1	06	3	85812174	1.82.6	04A	12
85811938	302	02	5	85812176	1.82.6	11A	7
	302	03	4		1.82.6	11B	5
	302	04	4	85812177	1.82.6	11A	9
	333/ 1	02	3		1.82.6	11B	7
	333/ 1	03	3	85812178	900	04	13
	333/ 1	04	3	85812184	704	01	3
	333/ 1	05	5	85812185	1.82.6	08A	2
	333/ 1	06	5		1.82.6	09A	4
	333/ 1	07	2	85812186	1.82.6	08A	1
	333/ 1	08	3		1.82.6	09A	5
85811946	302	02	4	85812192	333/ B	07	1
85811953	302	02	8	85812193	721	02	7
85811954	302	02	7	85812211	333/ B	07	4
85811958	331	01	4	85812214	721	02	4
85811959	333/ 1	01	4	85812252	1.92.6	01	1
85811975	176	01	6	85812253	1.92.6	01	9
85811985	536	01	1	85812254	1.92.4	03	4
85811986	536	01	1	85812255	1.92.4	03	5
85811989	536	01	7	85812260	81.00	01	1
85811990	536	01	6	85812278	1.88.01	01	4
85811991	536	01	6	85812338	1.92.5	01	3
85811992	536	01	2	85812364	1.92.9	02	17
85812021	1.96.7	01	12	85812365	1.92.9	01	14
85812029	333/ B	07	6	85813054	1.40.0	02	26
	721	02	1	85813059	402	04	1
85812064	1.98.0	02	4	85813060	402	04	1
85812080	1.93.0	04	14	85813079	346	02	2
	1.93.0/ 3	04	14		347	02	2
85812081	1.93.0/ 2	01	15	85813096	1.95.3	01	4
	1.93.0/ 5	01	15	85813100	1.96.2	01	13
85812085	1.28.0/ A	03	5	85813103	721	05	2
	1.28.0/ B	03	9	85813104	1.96.2	02	1
85812086	1.28.0/ A	03	2	85813132	1.95.2	01	6
	1.28.0/ B	03	1	85813133	1.96.2	01	4
85812087	1.28.0/ A	03	1	85813134	1.96.2	01	2
	1.28.0/ B	03	2	85813135	1.96.2	01	3
85812091	1.28.0/ A	03	15	85813136	1.96.2	01	1
	1.28.0/ B	03	16	85813137	1.96.2	01	8
85812092	1.28.0/ A	04	3	85813138	1.96.2	01	7
	1.28.0/ B	04	3	85813140	1.95.3	01	3
85812094	1.28.0/ A	02	16	85813186	1.96.2	02	4
	1.28.0/ B	02	17		721	05	15
85812096	1.28.0/ A	01	3	85813187	1.96.2	02	5
	1.28.0/ B	01	27		721	05	16
85812109	1.95.5/ A	01	6	85813200	1.96.2	02	3
85812110	1.95.5/ A	01	9		721	05	14
85812111	1.95.5/ A	01	11	85813201	1.96.2	02	2
85812112	1.95.5/ A	01	10		721	05	13
85812113	302	04	12	85813244	1.82.3	01	2
	333/ 1	02	4		1.82.3/ 1	01	2
85812114	333/ 1	04	4		1.82.3/ 2	01	2

INDEX - INDICE - INDEX - ZAHLENVERZEICHNIS - INDICE - INDICE - INHOLD - INHOUD

Number	Figure	Sequence	Ref.	Number	Figure	Sequence	Ref.
87314749	346	04	3	87319437	347	05	4
	346/1	01	25	87319438	646/1	04	17
	347	04	3	87319441	646/1	04	19
87314750	346	04	4	87319443	346	05	21
	346/1	01	26		347	05	8
87314751	346	04	5	87319448	346	05	6
	346/1	01	27		346/1	02	6
87314753	346	04	6	87319453	346	05	23
	347	04	4		347	05	10
87314757	346/1	01	28	87319727	1.93.0/6	01	7
	347	04	5	87319744	394/1	01	17
87314767	346	05	17	87319754	1.96.7/6	01	9
	347	05	6	87319785	1.93.0	01	6
87314769	346	05	18		1.93.0/3	01	6
	347	05	13	87319801	1.93.0	04	1
87314771	346	05	3	87319803	1.93.0	04	17
	346/1	02	3	87323749	1.93.0	04	16
87314772	346	05	4	87324469	346	02	9
	346/1	02	4	87324496	1.95.2	01	10
87314773	346	05	5	87324864	650	01	1
	346/1	02	5	87324867	1.95.5/3	01	6
87314946	346	05	8		650	01	2
	346/1	02	8	87324991	1.94.2/1	03	1
87314947	346	05	9	87324999	1.94.2/1	03	2
	346/1	02	9	87325156	1.95.2	01	7
87314948	346	05	10	87326170	1.44.0E	02	19
	346/1	02	10	87326256	339	01	1
87315029	346	01	11		725/1	01	15
87315214	646/1	04	7	87326808	1.39.8	01	10
87315219	646/1	04	8		1.82.6	05F	4
87315221	646/1	04	9	87326809	1.39.8	01	11
87315225	646/1	04	10		1.82.6	05F	3
87315236	646/1	04	11	87327076	336	01	10
87315239	646/1	04	12		339	01	22
87315241	646/1	04	14	87327251	901/ C	01	2
87315252	646/1	04	4	87327256	901/ C	01	1
87315364	646/1	01	1	87327259	901/ C	01	1
87315368	646/1	01	2	87327768	333/1	01	1
87315371	646/1	01	3	87328136	1.95.5/3	01	2
87315381	646/1	01	4		650	01	3
87315438	1.82.6	06A	3	87331094	356	01	1
	1.82.6	06B	3		721	01	1
87315441	646/1	02	13	87331276	356	01	5
87315446	646/1	02	14		721	01	15
87315457	646/1	02	15	87334836	1.44.0E	01	29
87315459	646/1	02	16		1.44.0E	02	30
87315460	646/1	02	17	87334860	346	04	8
87315521	1.88.11/2A	01	1		347	04	8
87315525	1.88.11/1B	01	1	87334861	346	04	9
87315527	514/ C	01	18		347	04	9
87315528	1.88.11/6	02	1	87335337	120	01	3
87315529	1.88.11/9A	01	9	87335345	1.19.1	01	9
	1.88.11/9C	01	1	87337288	1.88.01/2	02	5
87315531	514/ E	01	1	87341088	333/1	08	4
87315532	514/ F	01	23	87342131	901/ C	01	3
87315535	901/ D	01	1	87342412	0.021	01	1
87315628	1.87.2	01	13	87342832	1.88.01/2	01	17
87315641	1.87.2	01	1	87342882	437/1	01	9
87315643	1.87.2	01	2	87343616	333/1	01	6
87315646	1.93.0/6	01	1		333/1	08	1
87315647	1.93.0/6	01	1	87344374	82.00	01	1
87316091	725/1	02	9	87344386	82.00	01	1
87316092	725/1	02	7	87344422	83.00	01	1
87316096	725/1	02	8	87344431	83.00	01	1
87316439	347	01	9	87344461	83.00	01	1
87316442	347	04	6	87344537	81.00	01	1
87316455	1.95.0	01	9	87344545	83.00	01	1
87316861	391	01	3	87345955	1.39.8	01	6
87318747	346	03	4		1.94.2	03	7
	347	03	4		1.94.2/1	03	7
87318749	1.91.4/2	03	2	87346228	1.44.0F	02	33
87318750	346	03	5		1.44.0E	03	26
	347	03	5	87346229	1.44.0F	02	34
87318763	1.93.0/6	01	10		1.44.0E	03	26
87319018	347	06	1	87346231	1.44.0F	02	35
87319145	1.98.1	06	6		1.44.0E	03	26
	1.98.1	07	6	87346232	1.44.0F	02	36
87319147	1.98.1	06	5		1.44.0E	03	26
	1.98.1	07	5	87346427	1.44.0F	02	37
87319148	1.98.1	06	8		1.44.0E	03	26
	1.98.1	07	8	87347670	1.15.0	01	1
87319437	346	05	15	87347671	1.15.0	01	2

CLICK HERE TO **DOWNLOAD** THE COMPLETE MANUAL

- Thank you very much for reading the preview of the manual.
- You can download the complete manual from: [www.heydownloads.com](http://www.heydownloads.com) by clicking the link below



- Please note: If there is no response to CLICKING the link, please download this PDF first and then click on it.

CLICK HERE TO **DOWNLOAD** THE COMPLETE MANUAL