



PARTS CATALOG

LOADER BACKHOE

B95

CLICK HERE TO **DOWNLOAD** THE COMPLETE MANUAL

- Thank you very much for reading the preview of the manual.
- You can download the complete manual from: www.heydownloads.com by clicking the link below



- Please note: If there is no response to CLICKING the link, please download this PDF first and then click on it.

CLICK HERE TO **DOWNLOAD** THE COMPLETE MANUAL

TABLE OF CONTENTS

346/1	01	TRANSFORMATION SET FROM HEATING TO AIR CONDITIONING
346/1	02	TRANSFORMATION SET FROM HEATING TO AIR CONDITIONING
347	01	HOUSING & FILTERS
347	02	HEATER BLOWER & COILS
347	03	HEATER COIL HOSES
347	04	A/C & HEATER CONTROL PANEL
347	05	A/C & HEATER CONSOLE DUCTS
347	06	CAB HEATING COATING PLUG
351	04	CASE 3 LEVER BACKHOE CONTROLS, CONSOLE & LEVERS
351	05	CASE 3 LEVER BACKHOE CONTROLS, BELLCRANK & SUPPORT
351	06	CASE 3 LEVER BACKHOE CONTROLS, BUCKET TIE-ROD ASSEMBLY
351	07	CASE 3 LEVER BACKHOE CONTROLS, UPPER SWING TIE-ROD ASSEMBLY
351	08	CASE 3 LEVER BACKHOE CONTROLS, DIPPER, SWING & BOOM LINKAGE
351	09	CASE 3 LEVER BACKHOE CONTROLS, SWING CONTROL PEDAL
390	01	LOADER CONTROL VALVE, TWO SECTION, LEVER & DECAL
390/ 1	01	2 LEVER BACKHOE CONTROLS, LEVER, BOOT & DECALS (CENTER PIVOT)
393	01	2 LEVER BACKHOE CONTROLS, LEVER, BOOT & DECALS
393	03	LOCKING VALVE ON BACKHOE LIFT CYLINDER
394	01	ISO 2 LEVER BACKHOE CONTROLS, LEVERS, BOOT & DECALS (CENTER PIVOT)
394	02	ISO 2 LEVER BACKHOE CONTROLS, TIE-ROD ASSEMBLY (CENTER PIVOT)
394/ 1	01	4 LEVER BACKHOE CONTROLS, CONSOLE, LEVERS & BELLCRANK (CENTER PIVOT)
394/ 1	02	4 LEVER BACKHOE CONTROLS, UPPER TIE-ROD ASSEMBLY, CENTER PIVOT
394/ 1	03	4 LEVER BACKHOE CONTROLS, LOWER TIE-ROD ASSEMBLY (CENTER PIVOT)
622	01	INTERNAL FAN
646/1	01	MACHINE PART AIR CONDITIONING SET
646/1	02	A/C COMPRESSOR ATTACHING GROUP
646/1	03	A/C COMPRESSOR
646/1	04	A/C FILTER & CONDENSER ATTACHING GROUP
646A	01	A/C COMPRESSOR ATTACHING GROUP
650	01	STEERING COLUMN, FIXED & ADJUSTABLE
705	01	SEAT BELTS, 2" & 3"
758	01	ROTATING BEACON
782	01	FRONT CONSOLE WITH SPEEDOMETER, 4WD
787/ 1	01	FRONT CONSOLE WITHOUT SPEEDOMETER (CAB)
787/ 2	01	FRONT CONSOLE WITHOUT SPEEDOMETER (CAB)
788/ 1	01	FRONT CONSOLE WITH SPEEDOMETER, 4WD
788/ 2	01	FRONT CONSOLE WITH SPEEDOMETER, 4WD
789	01	SPEED SENSOR(P.SHUTTLE)
791	01	RH CONSOLE WITH INSTRUMENTS
792	01	RH CONSOLE WITH INSTRUMENTS AND DIAGNOSTICS
795	01	RH CONSOLE WITH INSTRUMENTS AND DIAGNOSTICS
796	01	ANTITHEFT
851/ 2	01	CLOTH SEAT & ATTACHING HARDWARE - CABINE
855/ 2	01	AIR RIDE CLOTH SEAT & ATTACHING HARDWARE - CABINE
856	01	VINYL SEAT CUSHIONS, ARMRESTS & RELATED PARTS (ROPS)
856/ 1	01	VINYL SEAT WITH ARMRESTS & MOUNTING HARDWARE (ROPS)
856/ 1	02	VINYL SEAT MOUNTING PLATE, ADJUSTING RAILS & SEAT BELT (ROPS)
856/ 1	03	VINYL SEAT UPPER SUSPENSION PARTS (ROPS)
856/ 1	04	VINYL SEAT LOWER SUSPENSION PARTS (ROPS)
856/ 2	01	VINYL SEAT CUSHIONS, ARMRESTS & RELATED PARTS (ROPS)
990	01	TOOL KIT

MAINTENANCE PARTS

REF	FN	PART NUMBER	YR/SN	QTY	DESCRIPTION
1	1	1930010		1	FILTER, FUEL
2	2	87803260		1	FILTER, ENGINE OIL
3	3	86989733		1	FILTER, ELEMENT
4	4	87438249		1	FILTER, ELEMENT
5	5	87438246		1	FILTER, ELEMENT
6	6	85826026		1	FILTER, AIR
7	7	85826032		1	FILTER, AIR
8	8	85817004		1	FILTER
8	9	9968988		1	FILTER, HYDRAULIC OIL

- (1) See Page 0.200 Ref : 6
- (2) See Page 0.302 Ref : 1
- (3) See Page 1.821.6 Ref : 6
- (4) See Page 1.19.1 Ref : 4
- (5) See Page 1.19.1 Ref : 3
- (6) See Page 1.94.2 Ref : 4
- (7) See Page 1.94.2 Ref : 2
- (8) Power Shuttle 2 WD See Page 1.28.0/ A Ref : 14 And 4 WD See Page 1.28.0/ B Ref : 14
- (9) Power Shift See Page 1.28.0/ C Ref : 14

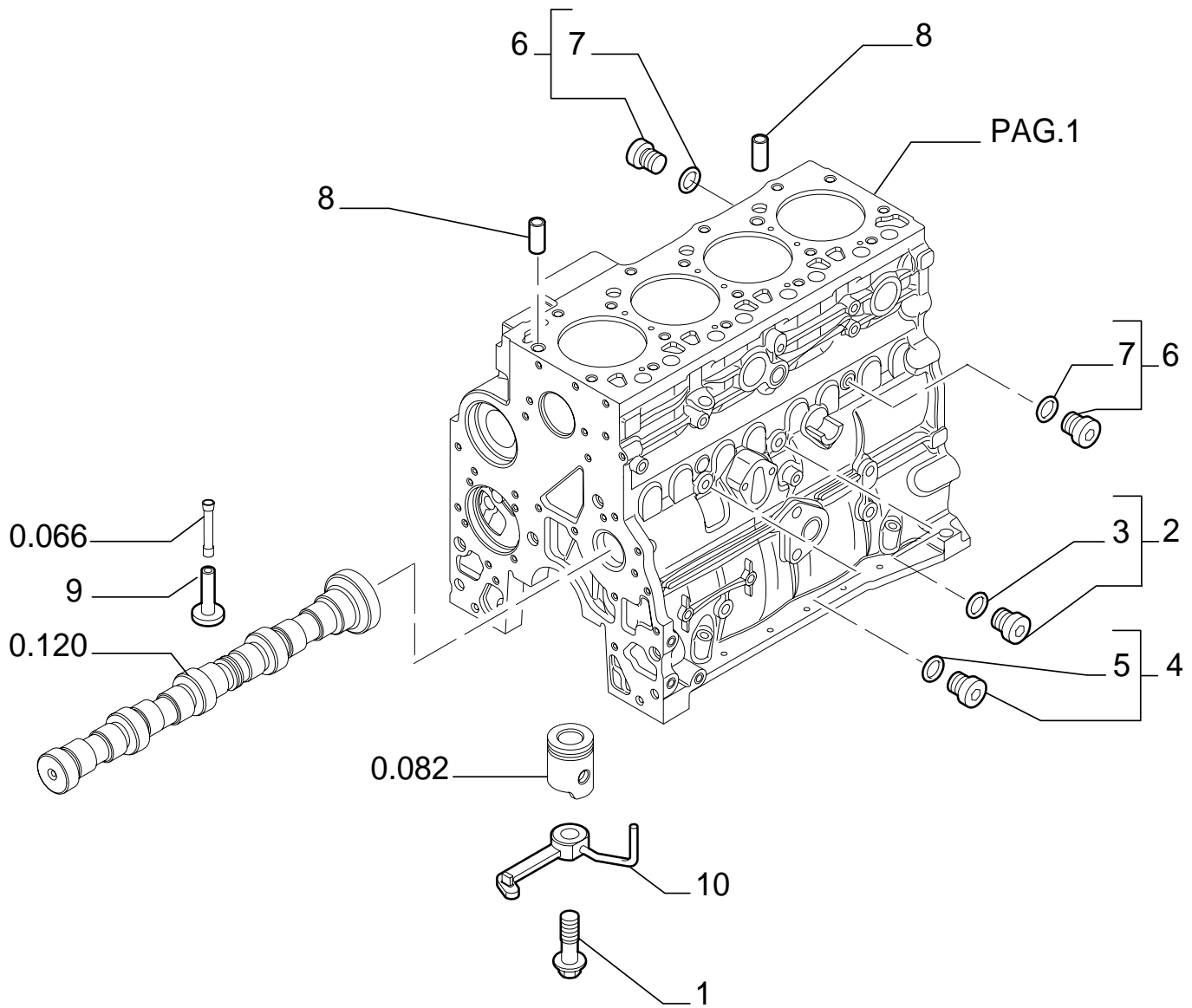
0.040

02

p1

12/05

CYLINDER BLOCK



BREATHER - ENGINE

REF	FN	PART NUMBER	YR/SN	QTY	DESCRIPTION
1		500315794		1	BREATHER
2		500315795		1	GASKET
3		4899110		3	SCREW M6X1.0X20

--

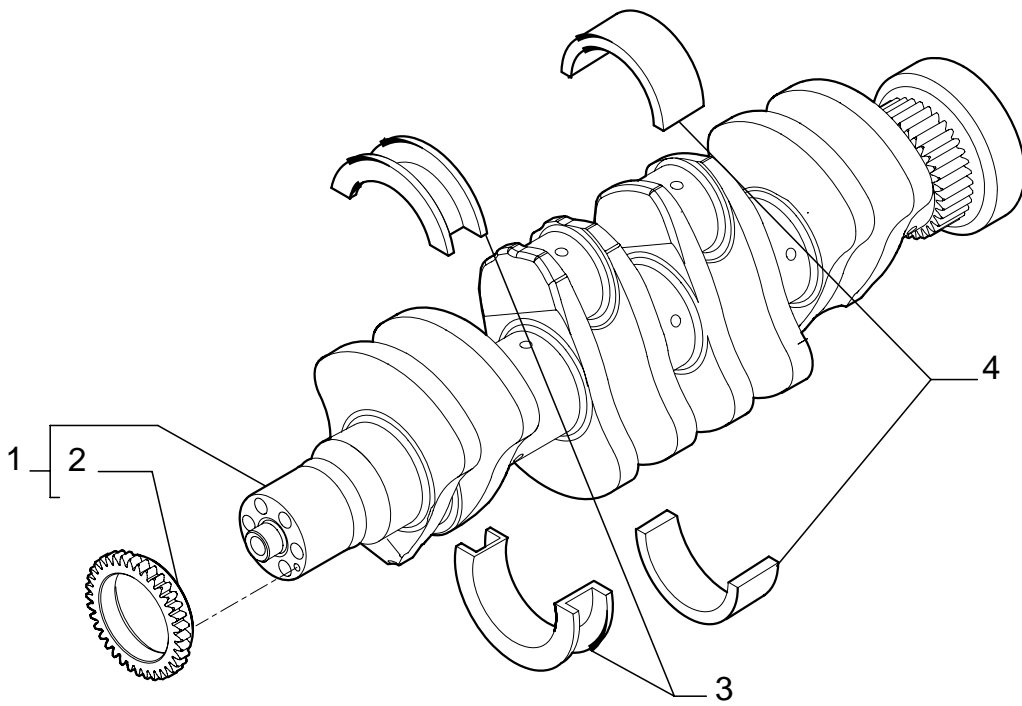
0.080

01

p1

12/05

CRANKSHAFT



DYNAMIC BALANCER, GEARS & SHAFTS

REF	FN	PART NUMBER	YR/SN	QTY	DESCRIPTION
1		16866473		1	CIRCLIP
2		4897123		1	PLATE, THRUST
3		4897071		16	BUSHING
4		4897048		1	GEAR, DRIVEN
5		4896947		1	GEAR, DRIVEN
6		4895586		3	SCREW
7		2830433		4	SCREW
8		2831031		1	SHAFT, IDLE
9		504088119		2	SHAFT ASSY.
10	1	2831300		1	HOUSING - ASSY
11		4899109		7	SCREW
11		4897934		1	SCREW
12		504088120		1	BALANCER - ASSY

(1) Assy See Page 2

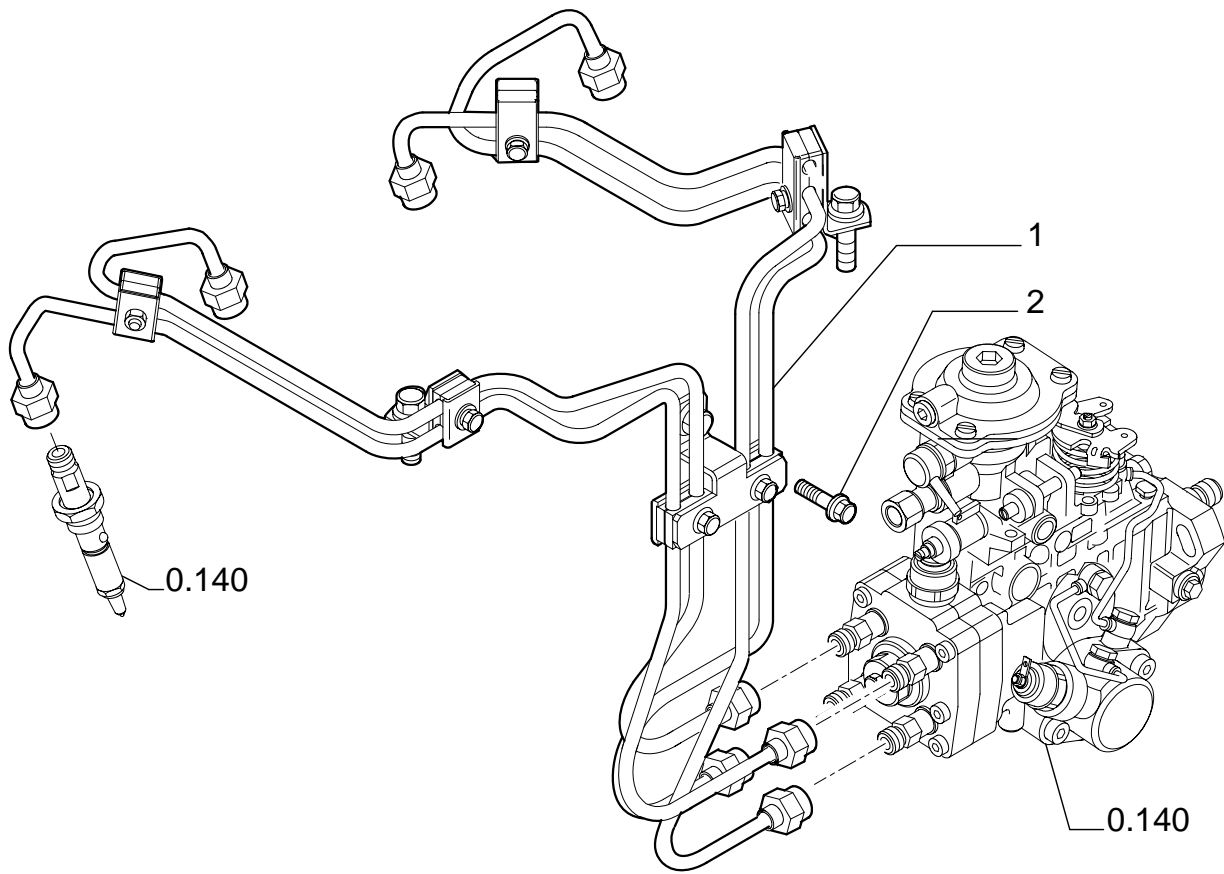
0.149

01

p1

02/05

FUEL INJECTION SYSTEM



TURBOCHARGER

REF	FN	PART NUMBER	YR/SN	QTY	DESCRIPTION
-----	----	-------------	-------	-----	-------------

1		4899118		4	NUT
2		4895133		1	GASKET
3		504061374		1	TURBOCHARGER
4		504010786		1	MANIFOLD, EXHAUST
5		504035094		1	GASKET
6		4898482		4	SCREW

--

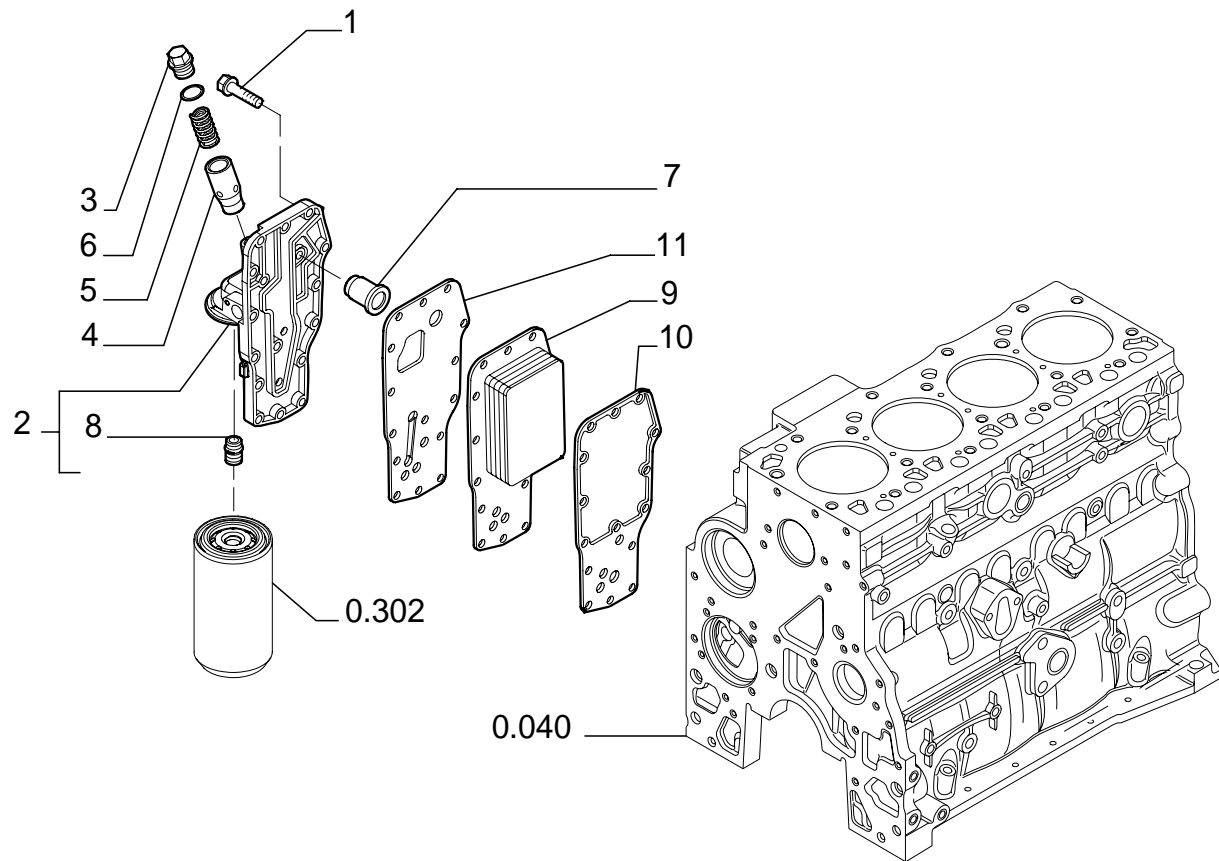
0.315

01

p1

12/05

OIL FILTER AND COOLER



0.345/A

01

p1

12/05

FAN DRIVE

REF	FN	PART NUMBER	YR/SN	QTY	DESCRIPTION
1		4899053		4	SCREW M8X1.25X45
2		4895291		4	SCREW M10X1.5X20
3		504035148		1	SUPPORT - ASSY
4	1	4890343		1	PULLEY
5		500395697		1	CIRCLIP
6		4892426		1	HUB
7		4892732		1	BEARING, BALL
8		16676834		1	SCREW M10X70
9		4890732		1	SPACER

(1) FROM S/N 031056822

FROM S/N 031056822 (12/01/2005)

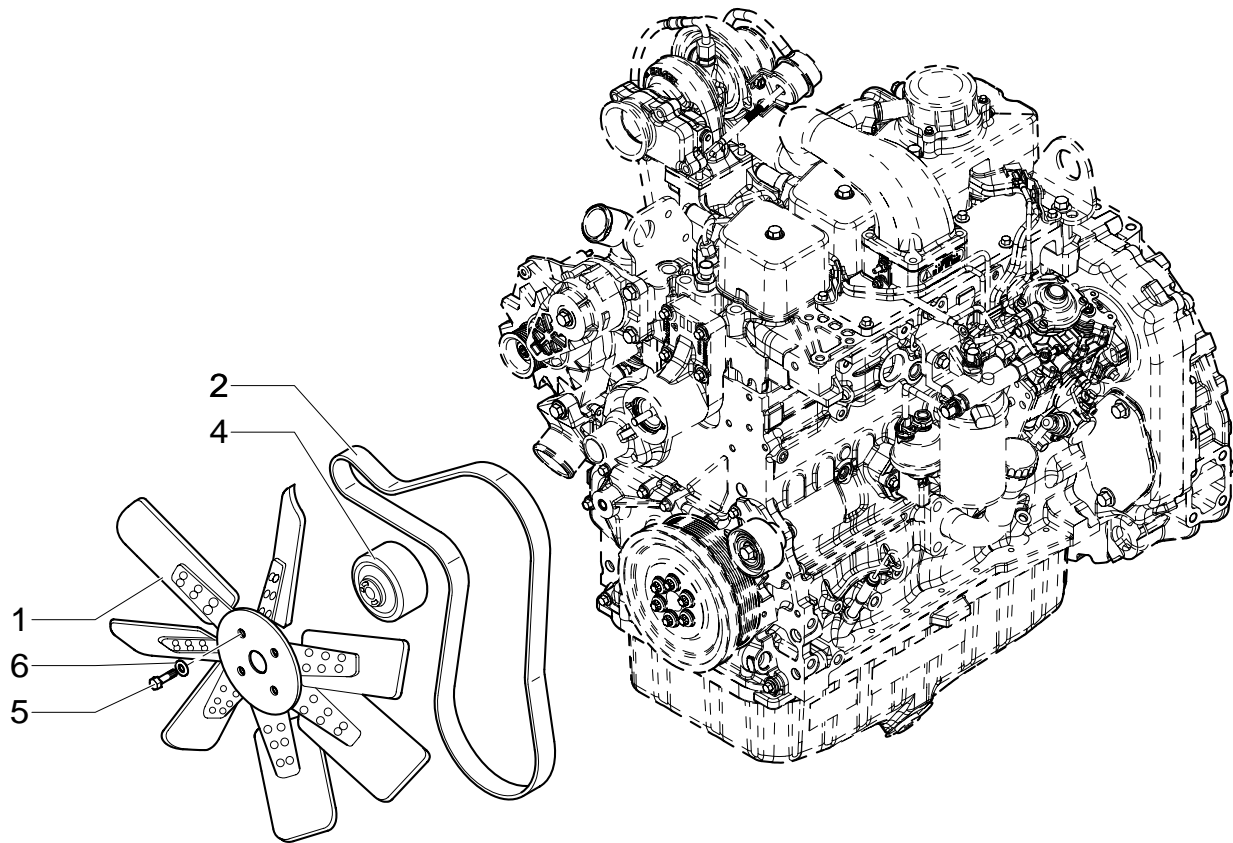
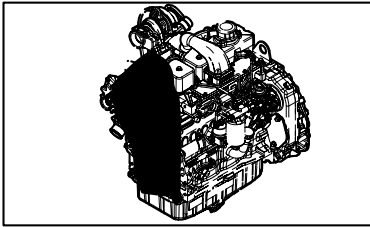
636A

02

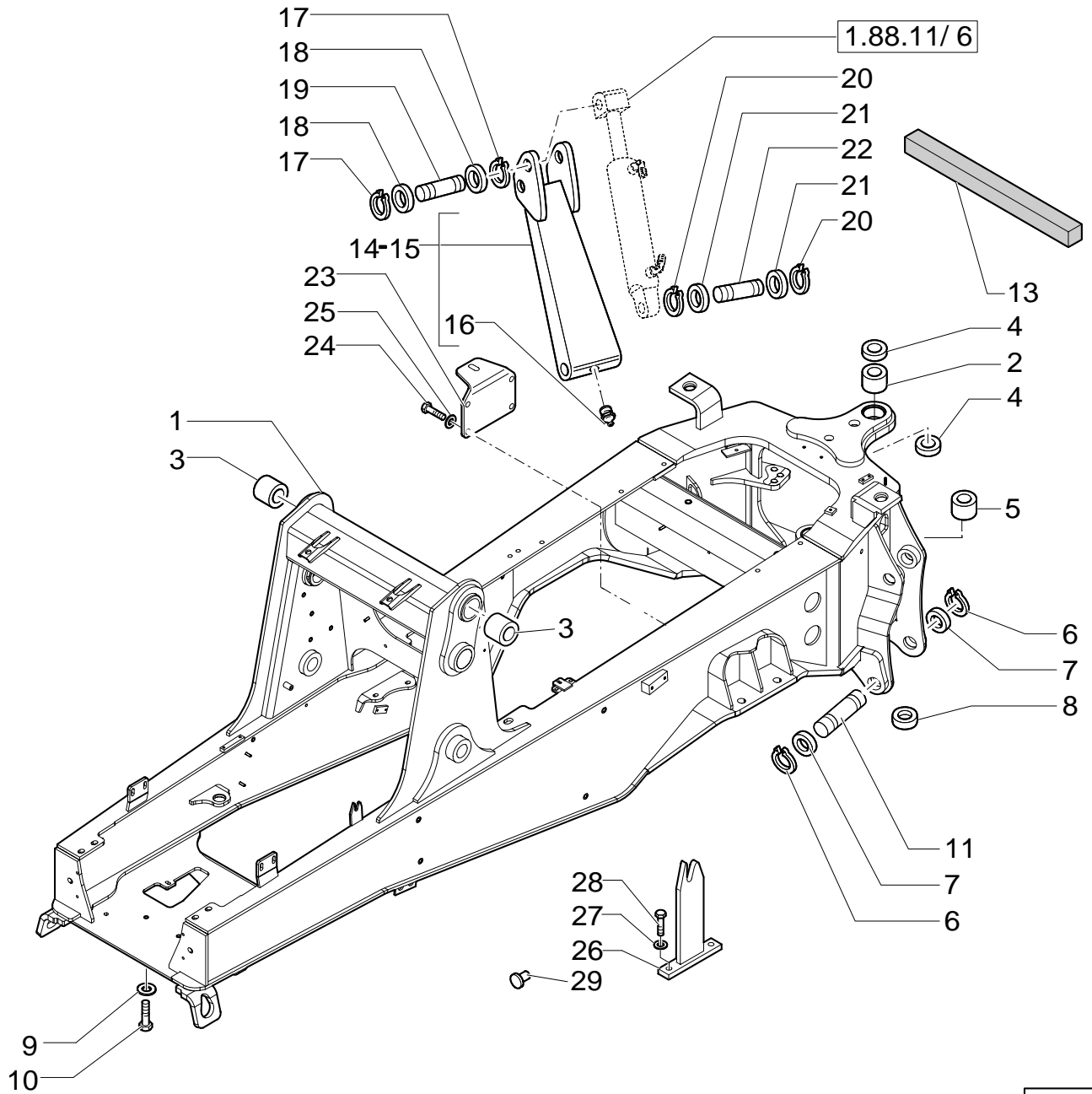
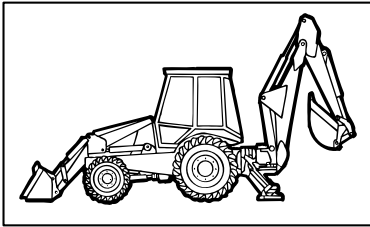
p1

12/05

ACCESSORY ENGINE - VENTILATOR



FRAME (CENTER PIVOT)



RADIATOR

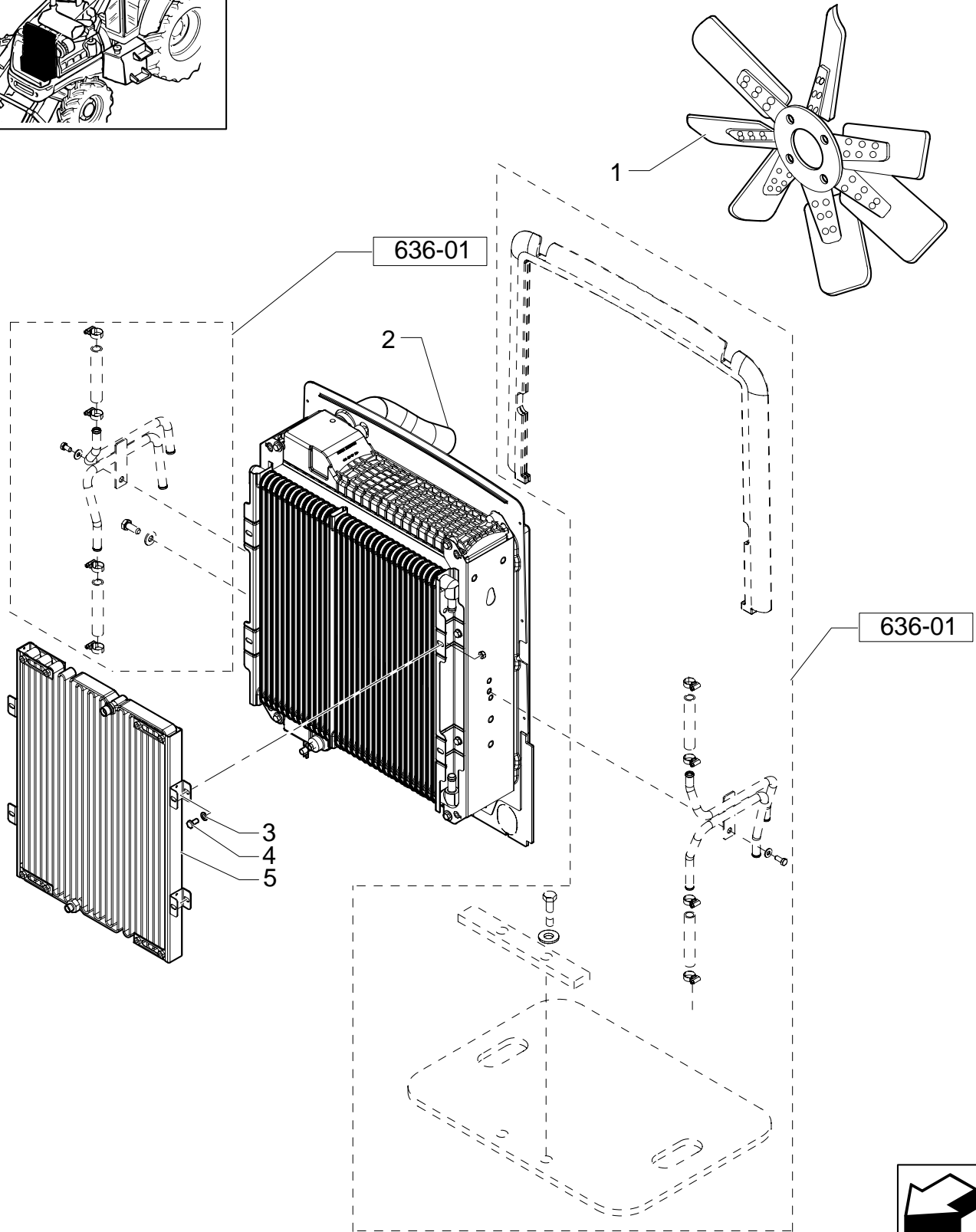
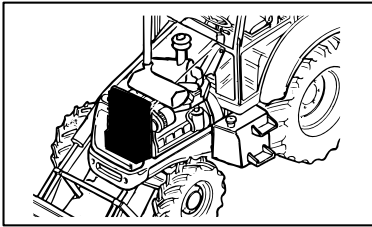
REF	FN	PART NUMBER	YR/SN	QTY	DESCRIPTION
1		87302280		1	TUBE, HYD
2		{87302920}		1	
3		87303120		1	GASKET
5		85827830		1	SEAL, RUBBER
6		85827831		1	PLATE
7		11193879		2	WASHER, LOCK 8x16x1.4
8		87302508		4	HOSE, FLEXIBLE
9		87314076		8	COLLAR
10		87302279		1	TUBE, HYD
11		12646701		2	WASHER 8x20x2
12		16043221		2	SCREW M8x16
13		12646901		4	WASHER 12x28x3
14		11112421		4	SCREW M12x30
15		16043821		2	SCREW M8x30
16		85828168		1	BRACKET
17		87302922		1	BRACKET
18		87306887		4	SCREW
19		87306886		4	WASHER
20	1	{87345950}		AR	LH
21	2	{87345951}		AR	RH

(1) Includes 16, 18, 19

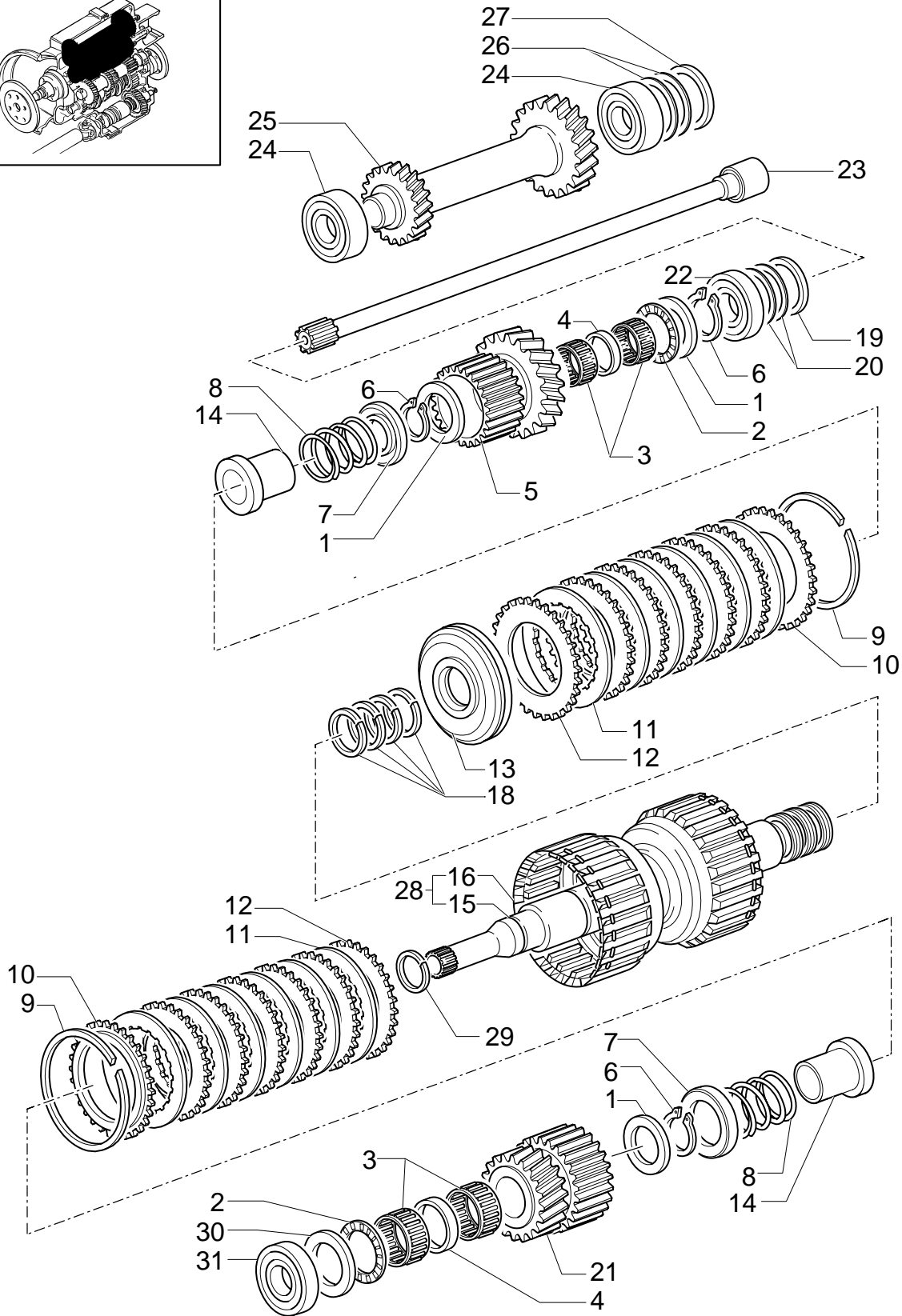
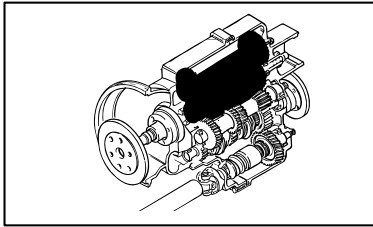
(2) Includes 17, 18, 19

Without Air Conditioner

RADIATOR



TRANSMISSIONGEARING SPEED GEAR (2WD POWER-SHUTTLE)



1.28.0/ B

02

p1

12/05

TRANSMISSIONGEARING SPEED GEAR (4WD POWER-SHUTTLE)

REF	FN	PART NUMBER	YR/SN	QTY	DESCRIPTION
1		9968350		1	VALVE, HYDRAULIC HYDR.PRESSURE REGULATOR
2		9968334		1	VALVE, HYDRAULIC HYDR.CONVERTER RELIEF
5		9968371		1	PLUG Expansion, 1"
6		9968333		2	PLUG Tyers, .5"
9		9968219		AR	PLUG 9/16" UNF
10		9968368		4	O-RING .512" IDx.094"Thk
11		9968218		AR	O-RING 9/16"
12		9968364		1	BREATHER
13		85802683		4	STUD 1/2"
14		9968383		1	WASHER
15		9968382		1	PLUG
16		85802684		4	NUT
17		85812094		2	SHIELD
18		11190779		4	WASHER, LOCK 12x24x2.8

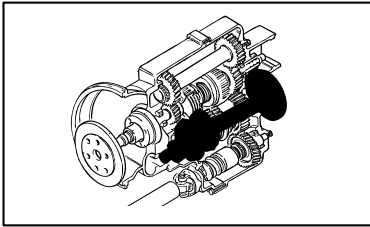
1.28.0/ B

07

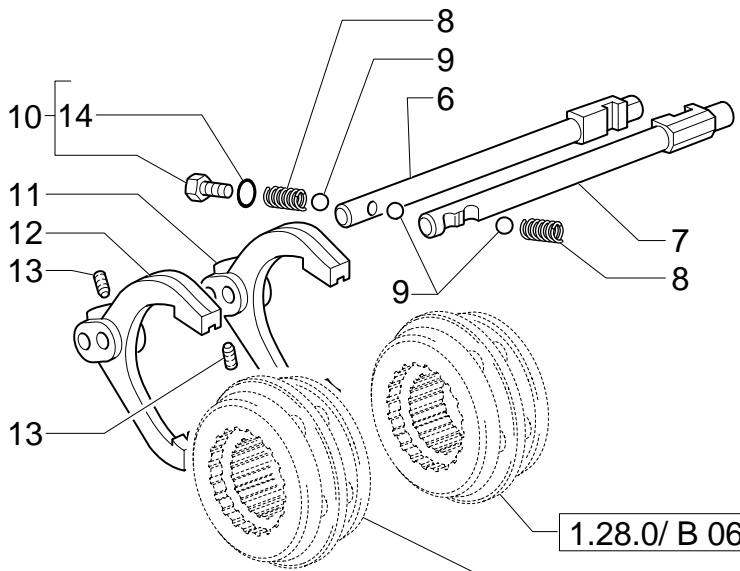
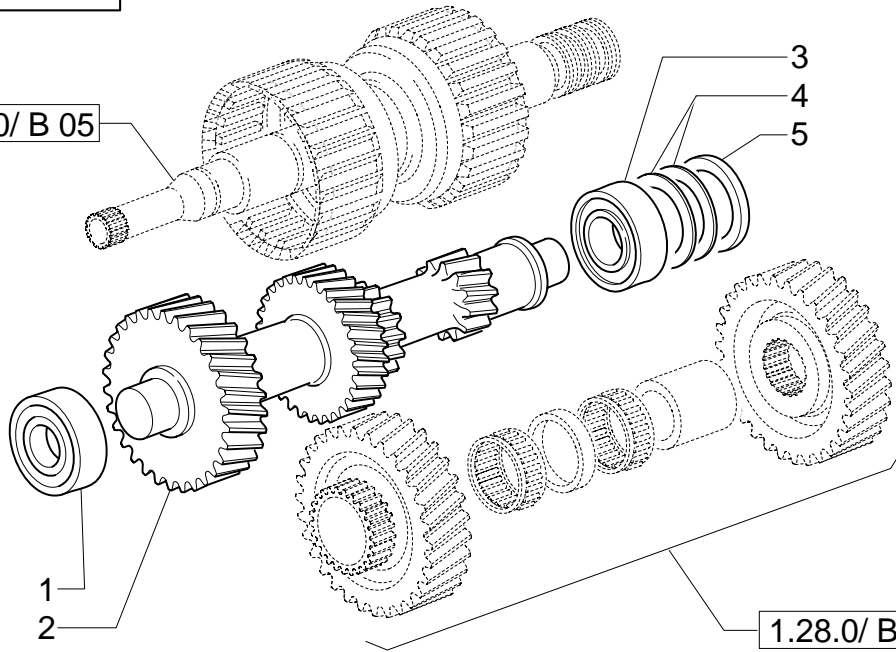
p1

02/05

TRANSMISSIONGEARING SPEED GEAR (4WD POWER-SHUTTLE)



1.28.0/ B 05



1.39.8

01

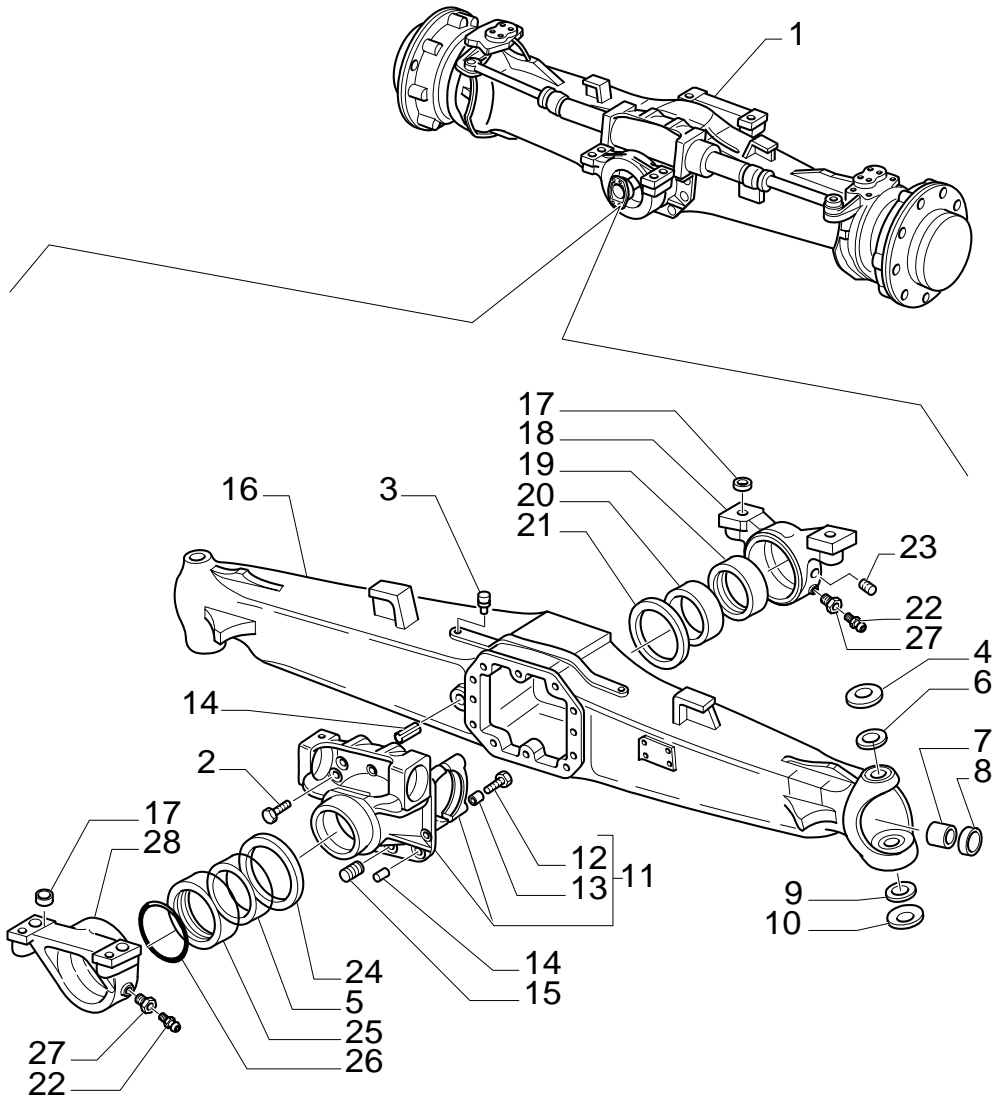
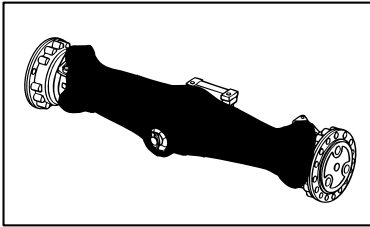
p1

11/05

TRANSMISSION OIL COOLING PIPES (POWER-SHUTTLE)

REF	FN	PART NUMBER	YR/SN	QTY	DESCRIPTION
1		87302506		1	HOSE, FLEXIBLE
2		87302507		1	HOSE, FLEXIBLE
3		87314076		4	COLLAR
4		47048664		1	COLLAR
5		47048964		1	WASHER
6		87345955		2	SHIELD
7		87017744		1	CONNECTOR, HYD.
8		87017743		1	CONNECTOR, HYD.
9		47042364		1	SCREW
10		87326808		1	HOSE, FLEXIBLE
11		87326809		1	HOSE, FLEXIBLE

4WD FRONT AXLE, HOUSING, BUSHINGS & SUPPORTS



4WD FRONT AXLE, DRIVE SHAFT

REF	FN	PART NUMBER	YR/SN	QTY	DESCRIPTION
1	1	85805993		2	JOINT, UNIVERSAL ASSY
1	2	85827741		2	JOINT, UNIVERSAL
2		85805999		2	PLATE, ANTI-WRAP
3	1	85827069		2	YOKE (DIFF.)
3	3	87306929		1	FORK, SHIFTER
4		85827070		2	BODY
5	1	85807283		2	SPIDER WATER PROOF
5	3	85805996		2	SPIDER
6	1	85807284		1	KIT WATER PROOF
6	3	9968060		4	RING, LOCKING
7	1	85805997		2	YOKE (WHEEL)
7	3	87306930		2	FORK, SHIFTER
8	1	85806000		2	CIRCLIP
8	3	87306933		2	RING
9		85817697		2	WASHER

- (1) Serial Number Axle 85824329 Until 031054301, Axle 85824331 Until 031054263
(2) Power Shuttle 12.8 And 13.714, Serial Number Axle 85827725 031054302 And After, Axle 85824326 031054264 And After
(3) Serial Number Axle 85827725 031054302 And After, Axle 85824326 031054264 And After

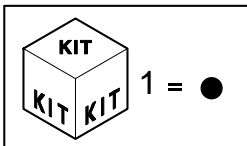
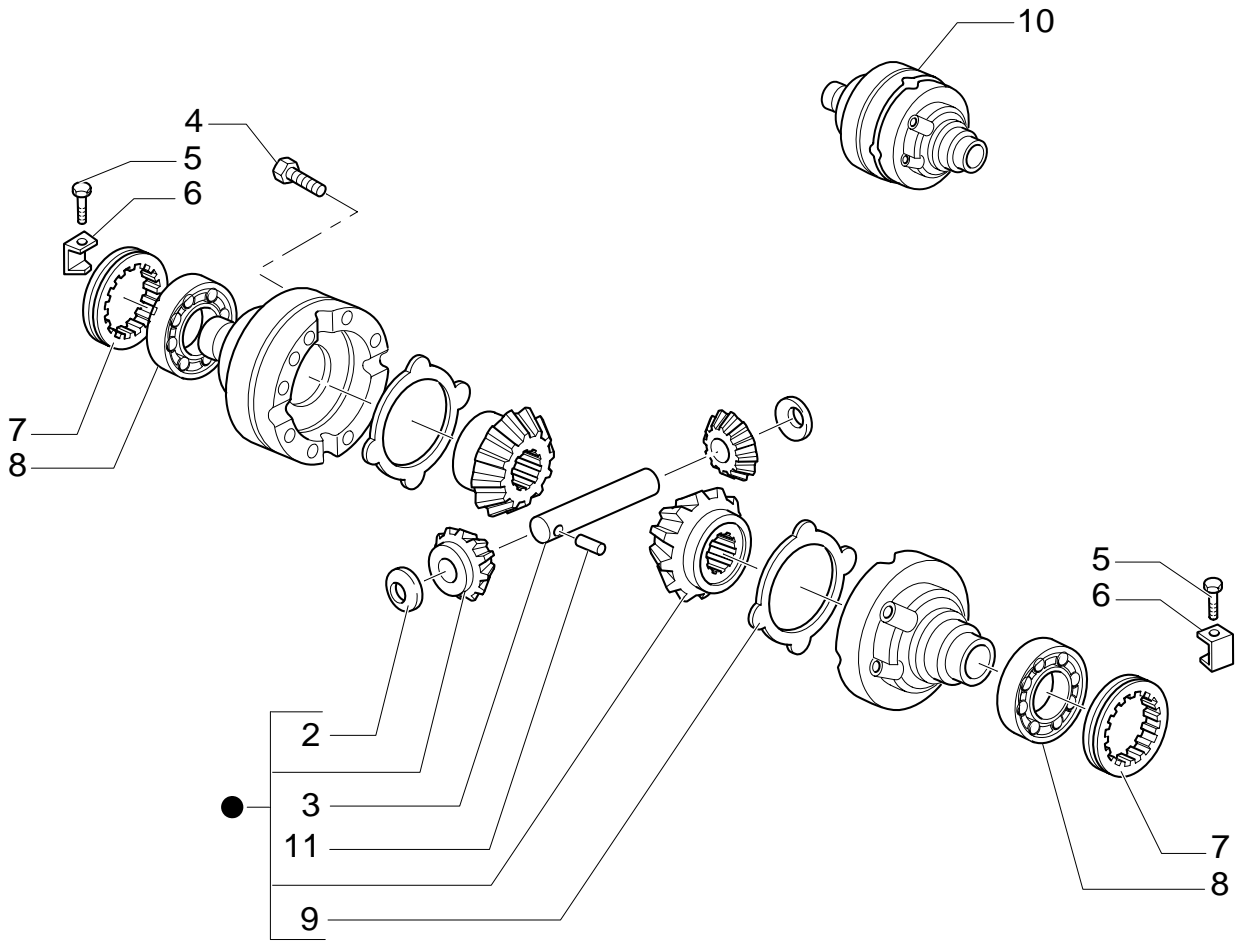
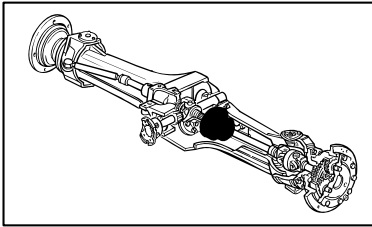
415

05

p1

02/05

FRONT AXLE - (4WD) W/GEAR,BEVEL

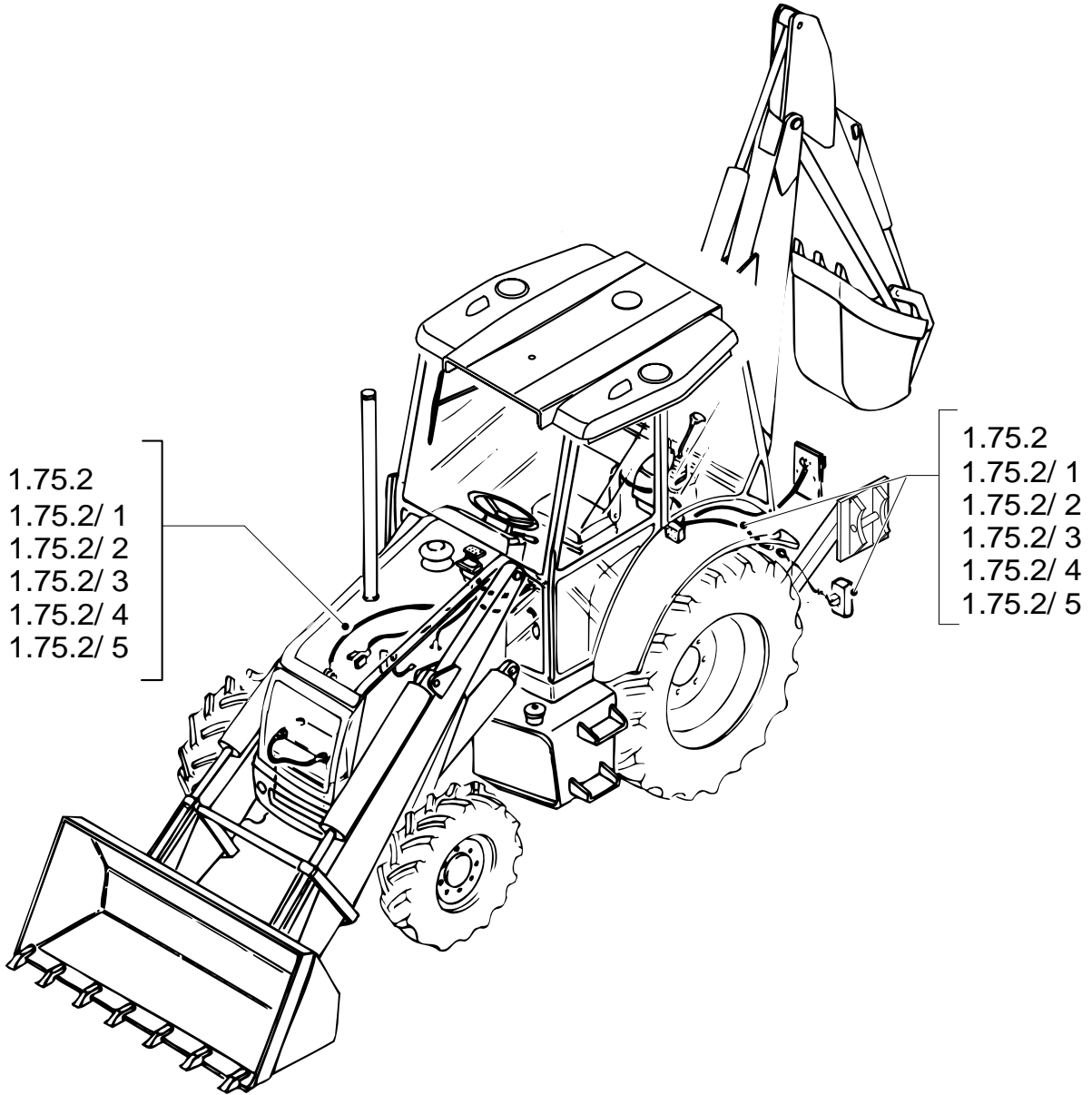


REAR AXLE (POWER-SHUTTLE) (CENTER PIVOT)

REF	FN	PART NUMBER	YR/SN	QTY	DESCRIPTION
1		87304345		1	BOX RH
1		87304344		1	BOX LH
2		87313966		3	BOLT Cap, HH, G8, 9/16"-12 x 5"
3		C5NN2N333B		4	PIN G8, 9/16"-18
4		87308018		8	BRAKE DISC
5		87305713		8	BRAKE DISC
6		87308017		2	PISTON
7		87302760		2	O-RING
8		87302761		2	O-RING
9		87308014		1	BOX RH
9		87308016		1	BOX LH
10		C5NN4049B		2	GEAR
11		86584273		2	CARRIER
12		E1ADDN4221		2	BEARING, CONE
13		C7NN4048E		6	SHAFT
14		C5NN4A012B		AR	BEARING, NEEDLE
15		C5NN4A007B		12	WASHER, THRUST
16		C5NN4A008B		6	SPACER
17		86584272		6	GEAR, PLANETARY
18		C7NN4N031B		2	RETAINER
19		87326170		2	WASHER
20		83949811		2	PLATE, LOCKING
21		304792S36		2	BOLT HH, 7/8"-14 x 1-5/8"
22		C5NN2N439A		1	LEVER
23		C5NN4374AB		1	SPACER
23		C5NN4374L		AR	SPACER 1,346/1,372
23		81803503		AR	SPACER 1,448/1,473
23		C5NN4374N		AR	SPACER 1,549/1,575
23		C5NN4374R		AR	SPACER 1,651/1,676
23		C5NN4374S		AR	SPACER 1,753/1,778
23		C5NN4374T		AR	SPACER 1,854/1,880
23		C5NN4374U		AR	SPACER 1,956/1,981
23		C5NN4374V		AR	SPACER 2,057/2,083
23		C5NN4374Y		AR	SPACER 2,159/2,184
23		C5NN4374Z		AR	SPACER 2,261/2,286
24		957E7245		1	SCREW Set, 3/8"-24 x 7/16"
25		87308		1	NUT Jam, G2, 3/8"-24

From To S/N XXX

ELECTRICAL

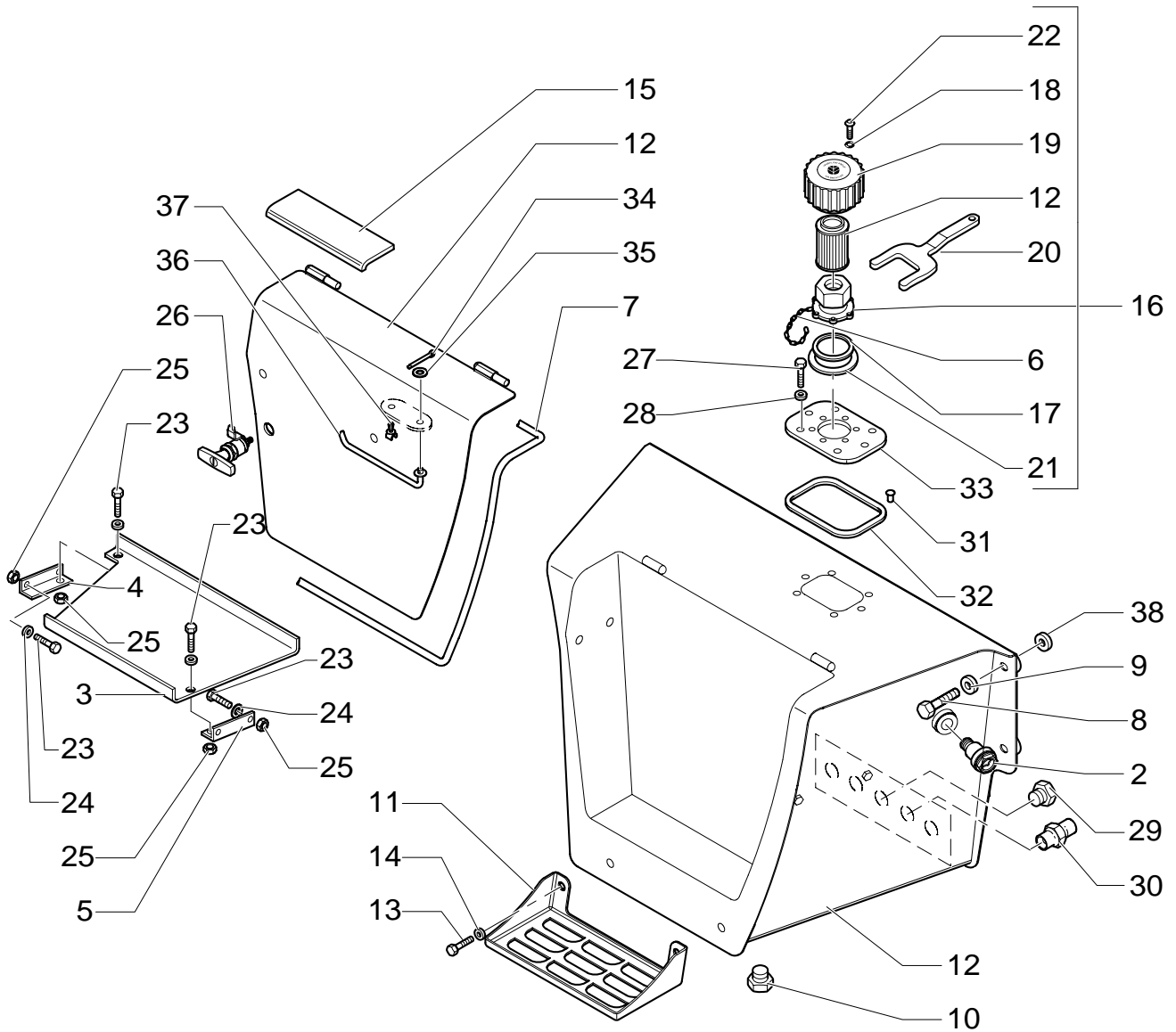
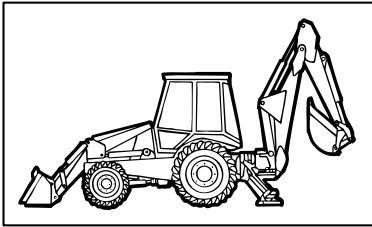


DOUBLE BATTERY

REF	FN	PART NUMBER	YR/SN	QTY	DESCRIPTION
1		F960DS		1	BATTERY, WET U.S.
1		CF960WDS		1	BATTERY, WET CAN.
2		412005		4	BOLT
3		85827072		1	CABLE, ELECTRIC
4		87427922		1	CABLE, GROUND
5		47049041		4	NUT M10
6		47049590		0,5	DECAL
7		87404127		2	DECAL
8		87415781		2	BRACKET
9		47048788		4	ANGLE BAR
10		47048963		4	WASHER
11		87303506		4	PLATE, RETAINING
12		85827416		1	CABLE, GROUND
13		87427925		1	CABLE, GROUND
14		85826906		1	GUARD

--

HYDRAULIC OIL RESERVOIR



1.82.6

01A

p1

11/05

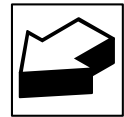
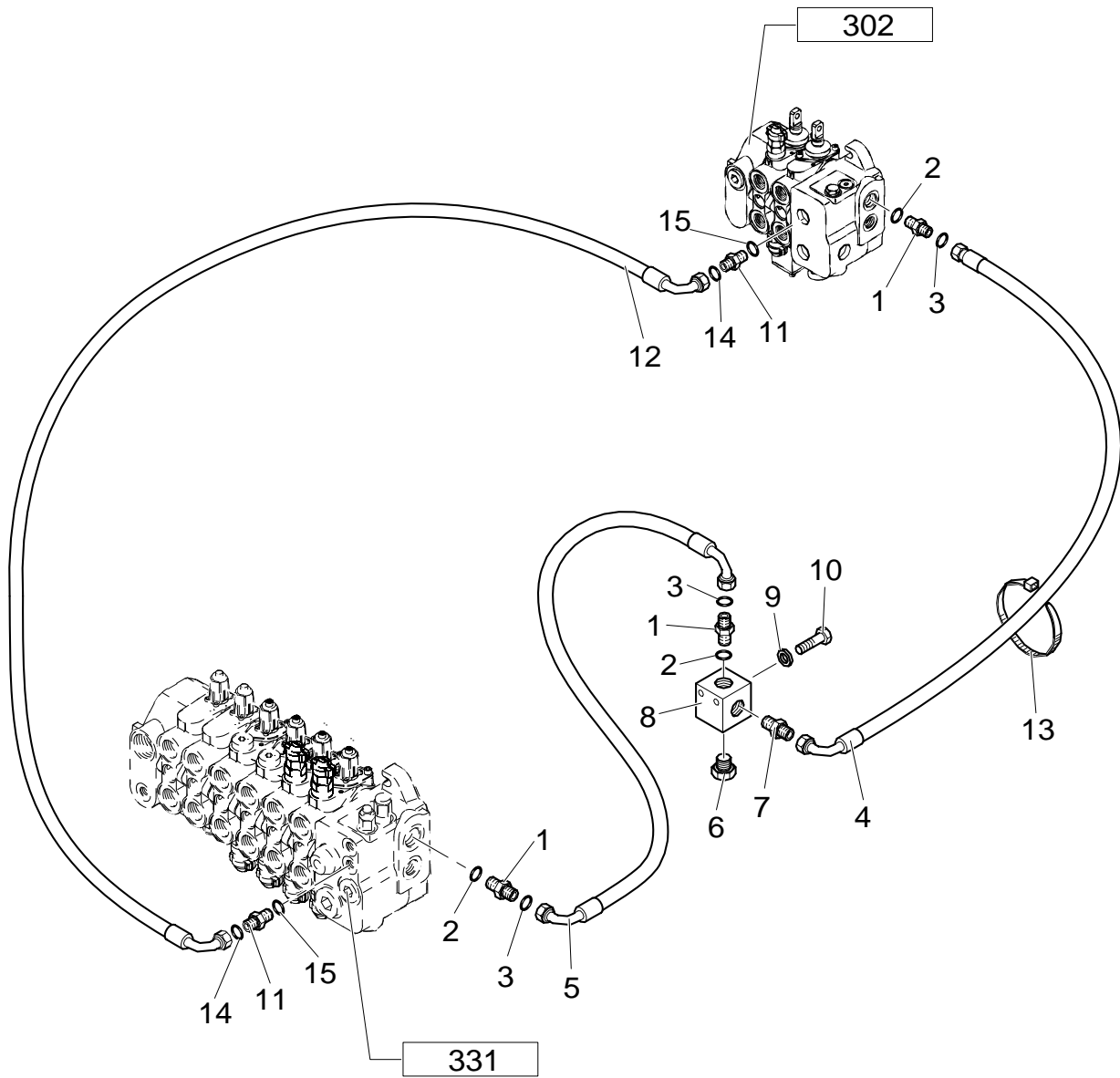
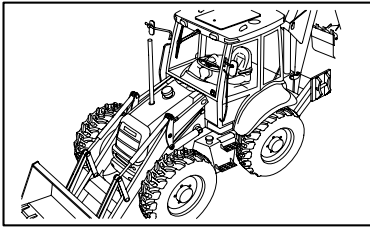
HYDRAULIC SYSTEM PIPING (CENTER PIVOT)

REF	FN	PART NUMBER	YR/SN	QTY	DESCRIPTION
1		85803012		4	CLAMP
2		85811870		1	HOSE
3		14422021		3	SCREW M12X30
4		85827041		1	TUBE, RIGID
5		14464680		1	GASKET
6	1	390937S36		2	CONNECTOR, HYD.
7		167266		2	O-RING 90 Duro, .924" ID x .116" Thk
8		9991976		2	O-RING 90 Duro, .739" ID x .070" Thk
9		87360332		1	HOSE, FLEXIBLE
10		85802800		2	PLUG

(1) Includes 7, 8

Pilot Control Version

RETURN MANIFOLD HOSES (CENTER PIVOT)



1.82.6

06B

p1

11/05

FILTER ASSEMBLY & HOSE TO RETURN MANIFOLD (CENTER PIVOT)

REF	FN	PART NUMBER	YR/SN	QTY	DESCRIPTION
1		87414983		1	HOSE, FLEXIBLE
2		85802960		2	CONNECTOR, HYD.
3		87315438		1	FILTER, HYDRAULIC OIL
4		86989733		1	FILTER, ELEMENT
5		11190579		4	WASHER, LOCK
6		11106221		4	SCREW

Pilot Control Version

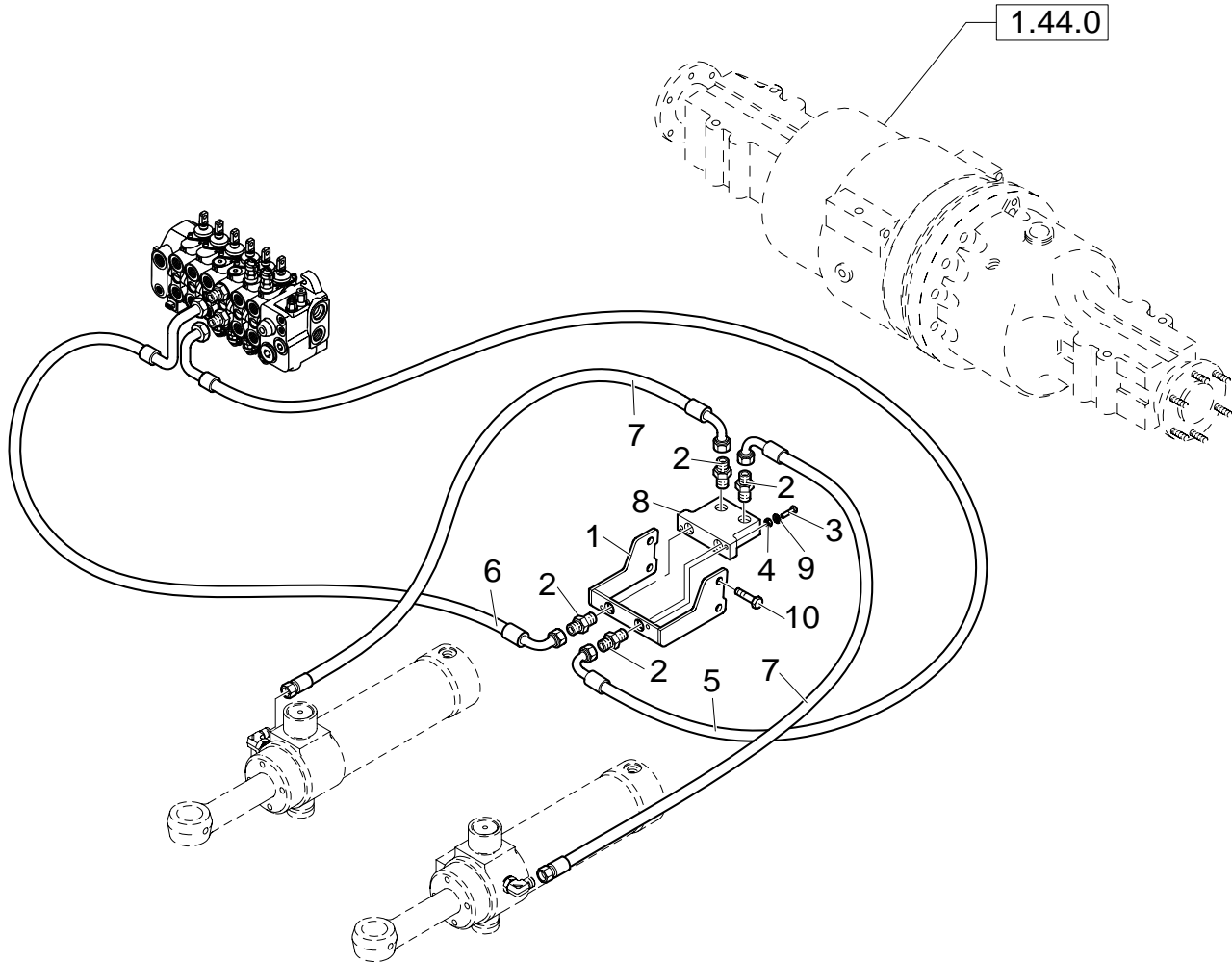
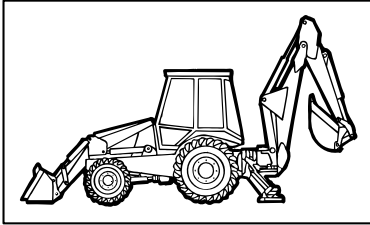
1.82.6

10A

p1

12/05

HYDRAULIC SYSTEM PIPING NA (CENTER PIVOT)



BACKHOE CONTROL VALVE(CENTER PIVOT)

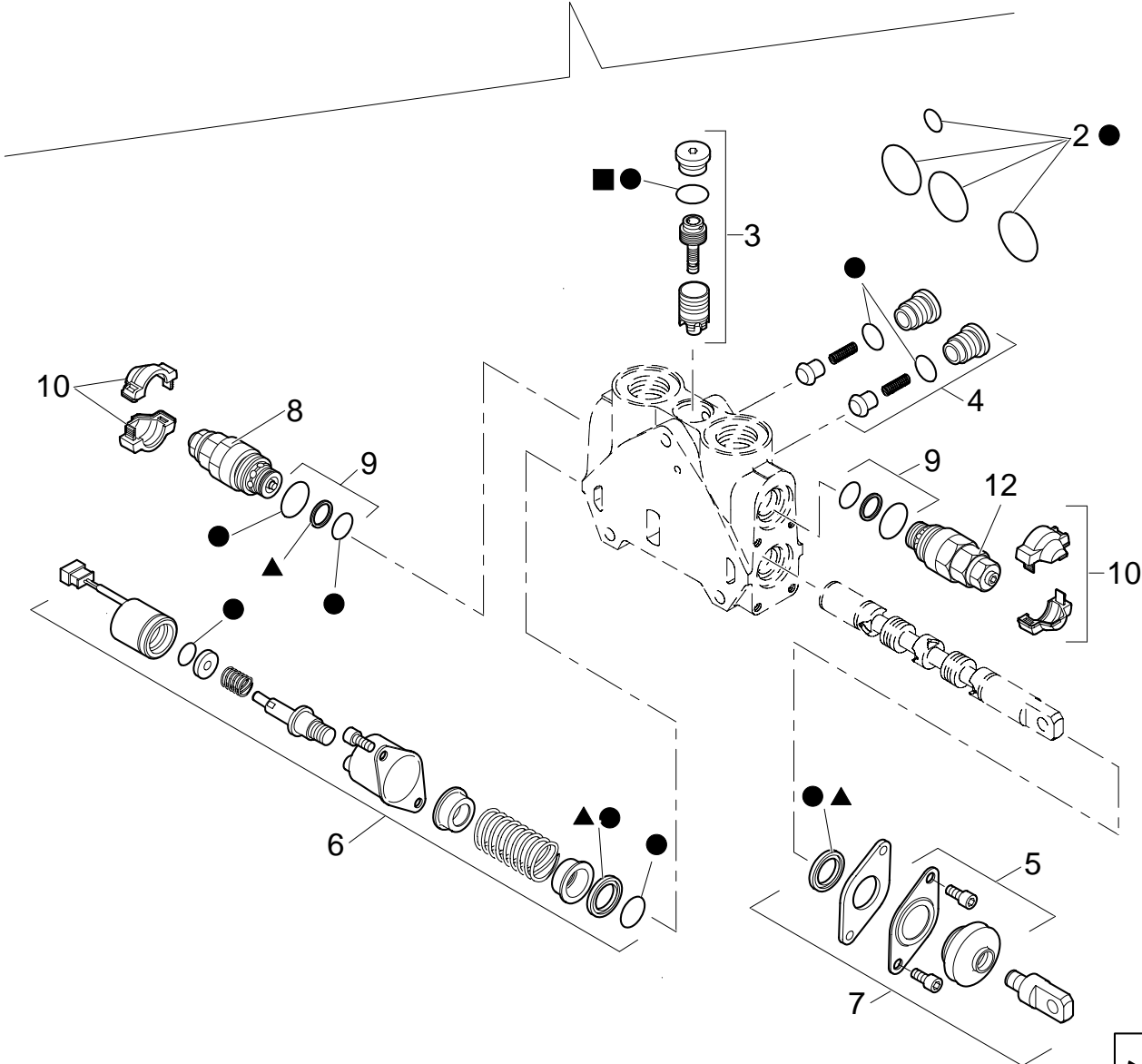
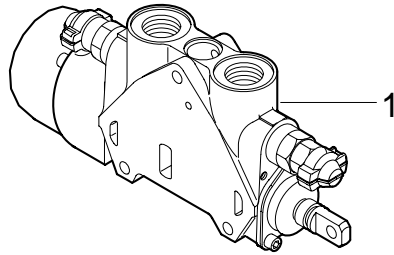
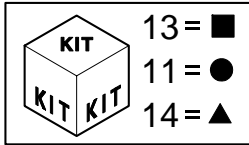
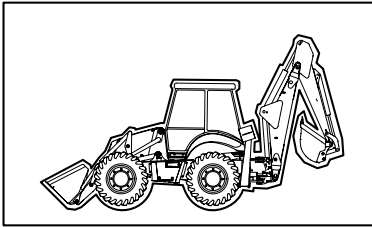
REF	FN	PART NUMBER	YR/SN	QTY	DESCRIPTION
1		9968466		1	O-RING
2		9968501		1	PLUG
3		9968502		1	O-RING
4		9968500		1	SPRING
5		9968503		1	PLUNGER
6		9968497		1	PIN
7		9968498		1	PLUG
8		9968468		1	O-RING
9		9968448		1	SPRING
10		9968447		1	PLUNGER
11	1	85827102		1	ELEMENT, JOINING
12		9968495		1	O-RING
13	2	85827101		3	ELEMENT, JOINING
14		9968494		1	PANEL, SIDE
15		85807832		1	PLUG
16		9968506		1	STUD
17		9968507		1	NUT
18		85807827		1	VALVE, CONTROL
19		85807830		1	O-RING
20		85807831		1	PLUG
21		85807828		1	PLUG
22		85807829		1	O-RING
23		9968523		1	PLUG
24		85807834		1	PLUG
25		85807833		1	PLUG
26		9968595		2	VALVE, HYDRAULIC
27		9968596		3	VALVE, HYDRAULIC
28		9968508		1	VALVE, HYDRAULIC
30		9968505		1	STUD
31		9968504		1	NUT

(1) See Page 1.82.6 17

(2) See Page 1.82.6 18

Mechanical Version

TWO-SECTION CONTROL VALVE FOR LOADER



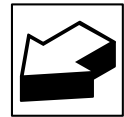
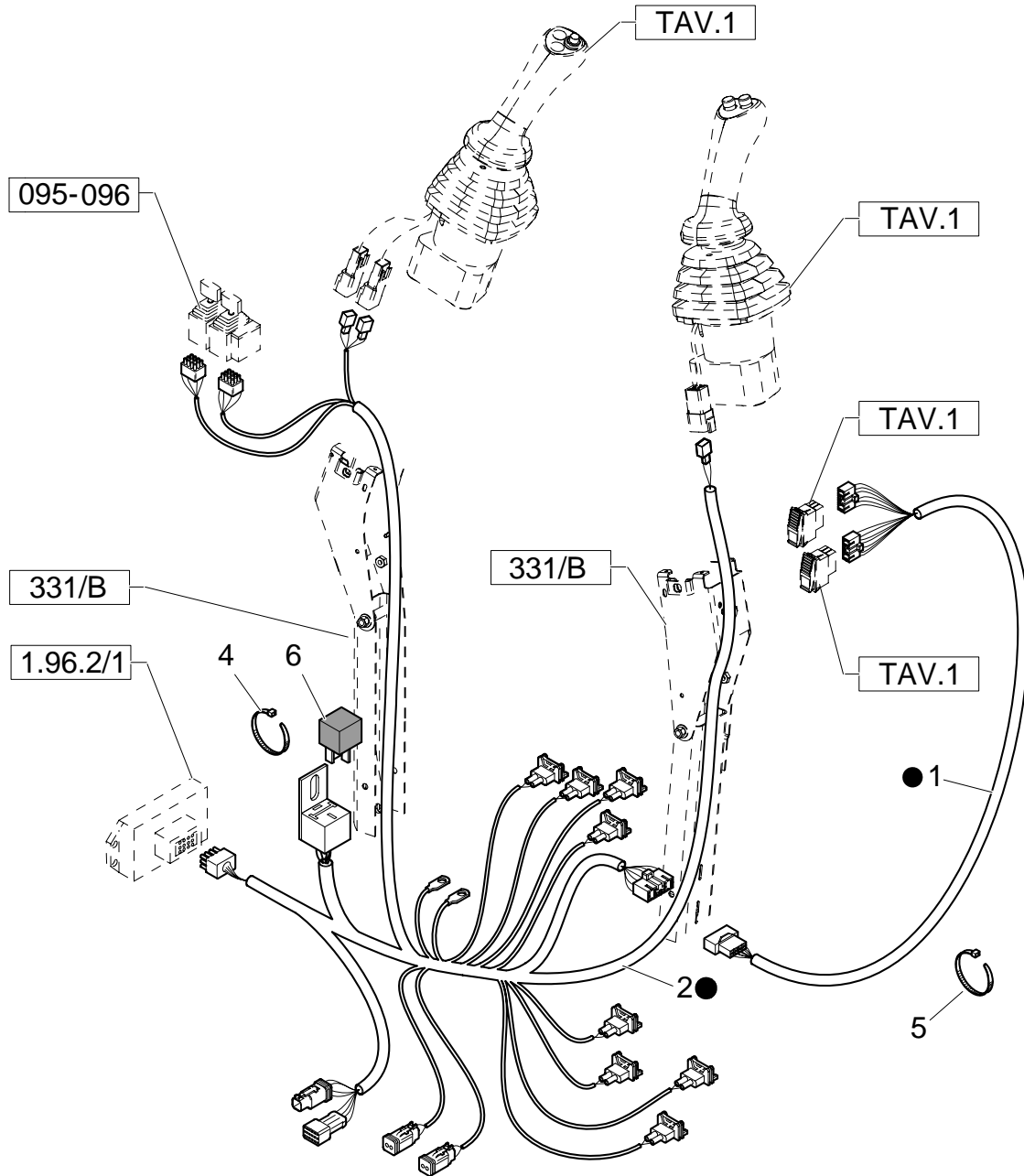
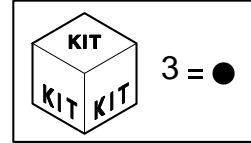
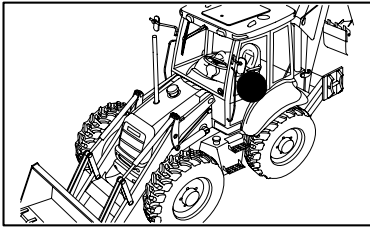
6 SECTION PILOT CONTROL VALVE SUPPORT, COMPLETE

REF	FN	PART NUMBER	YR/SN	QTY	DESCRIPTION
1	1	87309923		1	
1	2	{87449734}		1	
2	1	87309924		1	
2	2	{87449735}		1	
3		87437689		2	KNOB
4		87437688		2	KNOB
5		87437366		1	ARMREST
6		87437369		1	SUPPORT
7		87423802		1	SWITCH
8		87410105		1	SWITCH
9	1	87435372		2	BRACKET
9	2	87410723		2	PLATE
10		85821519		8	PIN, ROLL
11	1	87307656		1	BRACKET
11	2	87436396		1	GUARD
12	1,3	87308844		1	VALVE, CONTROL
12	2,4	87443740		1	MANIPULATOR
13		47050686		7	CONNECTOR, HYD.
14	5	87431301		1	GUARD
14	6	87427962		1	PLATE
15		87016552		8	SCREW
16		87022296		8	SCREW M3x8
17		87310085		2	SCREW, SELF TAPPING
18		10902321		3	SCREW 11x24x3
19	1,7	87443743		1	MANIPULATOR
19	2,8	87308840		1	VALVE, CONTROL
20		87418368		1	ROD
21		87418369		1	ROD
22		87310098		4	BOLT M6 x 20

- (1) UP TO S/N XXX
(2) FROM TO S/N XXX
(3) See Page 333/ C 02
(4) See Page 333/C 03
(5) Only for Center Pivot
(6) Only for Side Shift
(7) See Page 331/ D 03
(8) See Page 331/ C03

Pilot Control Version

6 SECTION PILOT CONTROL VALVE SUPPORT, COMPLETE (CENTER PIVOT)



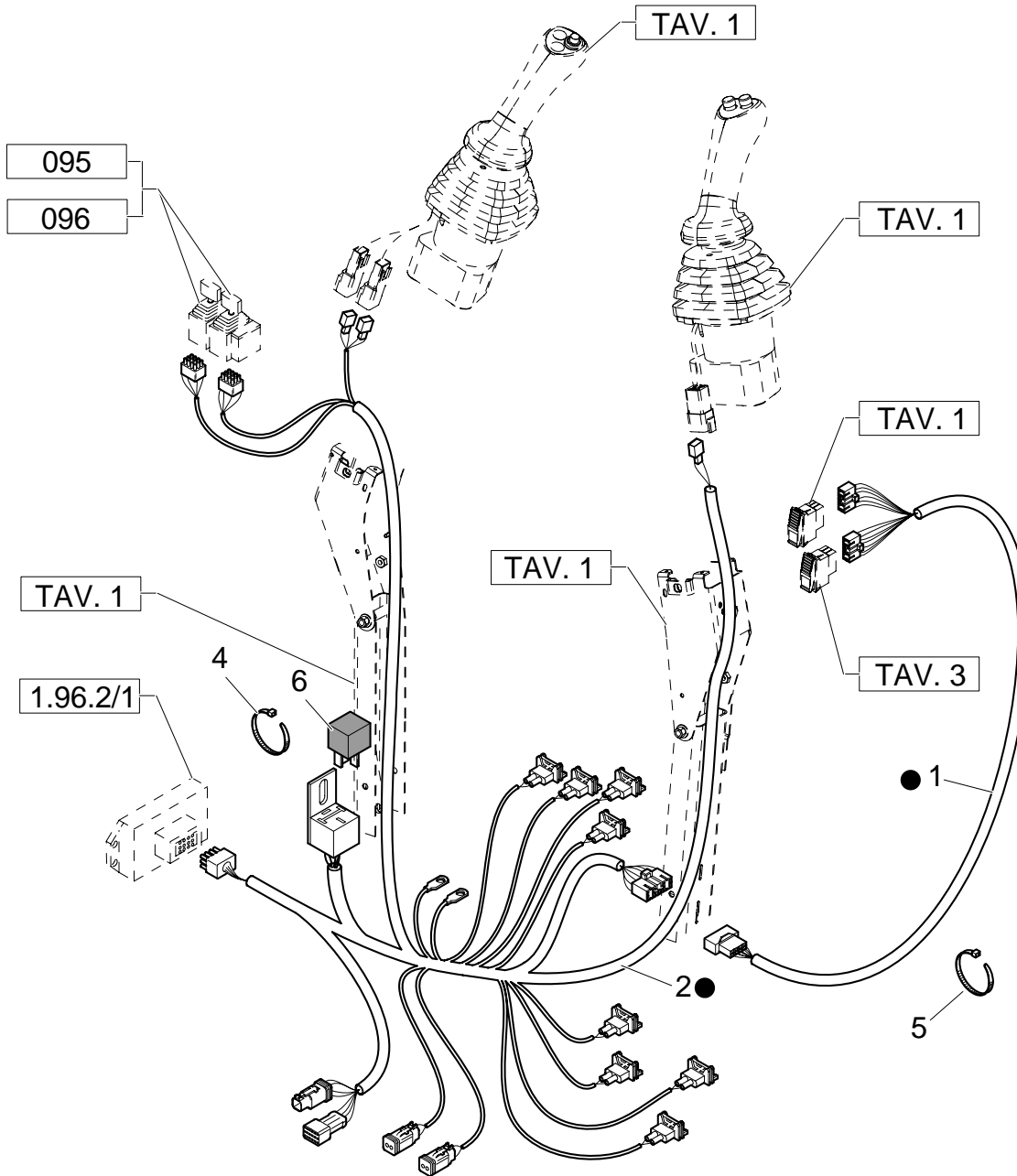
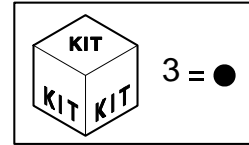
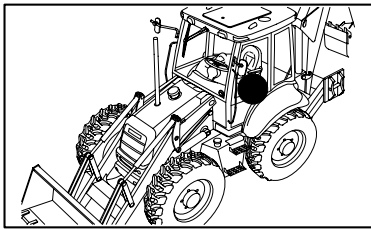
7 SECTION PILOT CONTROL VALVE SUPPORT, COMPLETE

REF	FN	PART NUMBER	YR/SN	QTY	DESCRIPTION
1	1	87309923		1	
1	2	{87449734}		1	
2	1	87309924		1	
2	2	{87449735}		1	
3		87437689		2	KNOB
4		87437688		2	KNOB
5		87437366		1	ARMREST
6		87437369		1	SUPPORT
7		87423802		1	SWITCH
8		87410105		1	SWITCH
9		87435372		2	BRACKET
10		85821519		8	PIN, ROLL
11	1	87307656		1	BRACKET
11	2	87436396		1	GUARD
12	1,3	87308844		1	VALVE, CONTROL
12	2	87443740		1	MANIPULATOR
13		47050686		7	CONNECTOR, HYD.
14		87431301		1	GUARD
15		87016552		8	SCREW M6x13
16		87022296		8	SCREW M3x8
17		87310085		2	SCREW, SELF TAPPING
18		10902321		3	SCREW M10
19	1,4	87308840		1	VALVE, CONTROL
19	2,5	87443743		1	MANIPULATOR
20		87418368		1	ROD
21		87418369		1	ROD
22		87310098		4	BOLT M6 x 20
23		87424301		1	SEAL, RUBBER
24		87427991		1	SEAL, RUBBER
25		87427989		1	SEAL, RUBBER
26		87427993		1	SEAL, RUBBER
27		87425696		2	SEAL, RUBBER

- (1) UP TO S/N XXX
(2) FROM TO S/N XXX
(3) See Page 333/ C 03
(4) See Page 331/D 02
(5) See Page 331/D 03

Pilot Control Version

7 SECTION PILOT CONTROL VALVE SUPPORT, COMPLETE (CENTER PIVOT) EUROPE



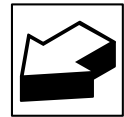
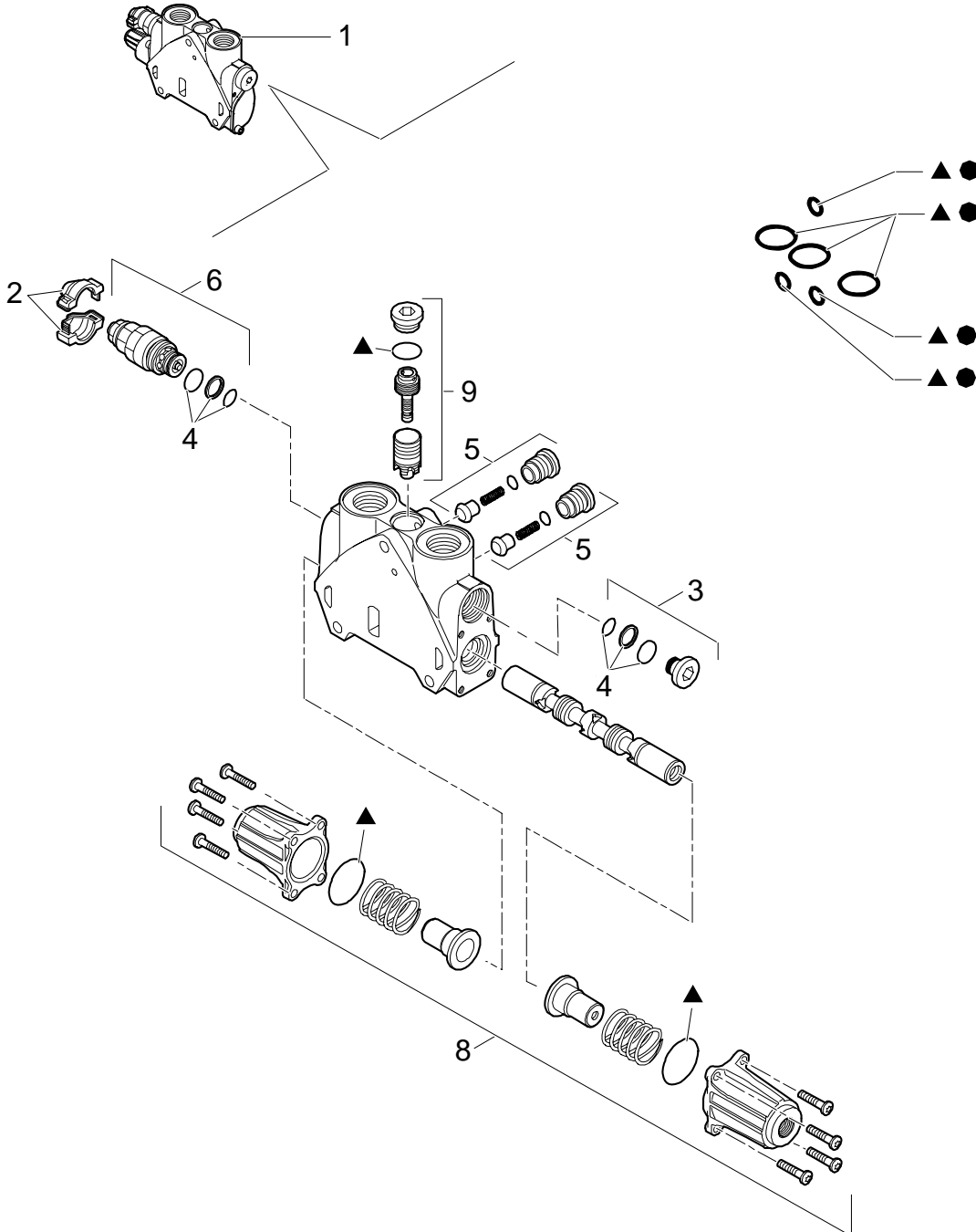
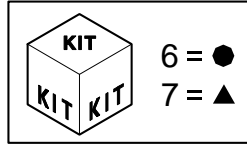
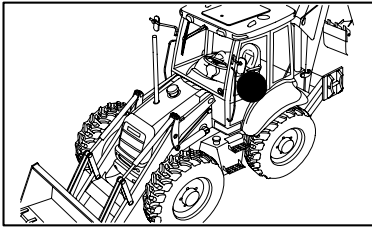
VALVE, JOYSTICK PILOT CONTROLS (LEFT HAND)

REF	FN	PART NUMBER	YR/SN	QTY	DESCRIPTION
1	1	87443740		1	MANIPULATOR
1		86983311		1	VALVE, CONTROL
2		87436225		1	RETAINER
3		87428023		1	BOLT
4		87037944		1	NUT
5		87443721		1	
6		225315C1		1	CONNECTOR
7		225318C1		1	WEDGE
8		87428164		1	HANDLE GRIP
9		15687475		3	SCREW, SELF TAPPING 3.5x25
10		87428165		1	HANDLE GRIP
11		87435243		1	BEZEL
12		87437372		2	SWITCH
13		86625128		1	PLUG
14		87424267		2	GROMMET
15		87435506		3	GASKET
16		87438046		1	STRAP
17		87000312		1	RETAINER

(1) Includes 1 To 17

Pilot Control Version, Up To S/N XXX

7-SECTIONS EXCAVATOR CONTROL VALVE (CENTER PIVOT) NORTH AMERICA



LOADER CONTROL VALVE (CENTER PIVOT)

REF	FN	PART NUMBER	YR/SN	QTY	DESCRIPTION
1		85819649		1	DISTRIBUTOR ASSY
2		11190579		3	WASHER, LOCK
3		14308221		3	SCREW M10X1,25X65
4		9968455		1	SET OF PARTS
5		9968457		1	SPACER
6		9968456		2	SCREW
7		9968458		3	PLATE, COVER
8		9968489		4	GASKET
9		9968490		1	RING, OIL SCRAPER
10		87327076		1	WASHER
11		85808403		1	STOP
12		9968451		2	SCREW
13		85817025		1	VALVE, FLOAT
14		9968454		2	SCREW
15		85816804		1	HOSE, FLEXIBLE
16	1	85817531		1	CONNECTOR, HYD.
17		9825770		1	O-RING 90 Duro, .301" ID x .070" Thk
18		9824050		1	O-RING 90 Duro, .926" ID x .070" Thk
19		9968513		1	COVER
20		89626929		1	O-RING 90 Duro, 1.048" ID x .116" Thk

(1) Includes 17, 18, 20

Mechanical Version

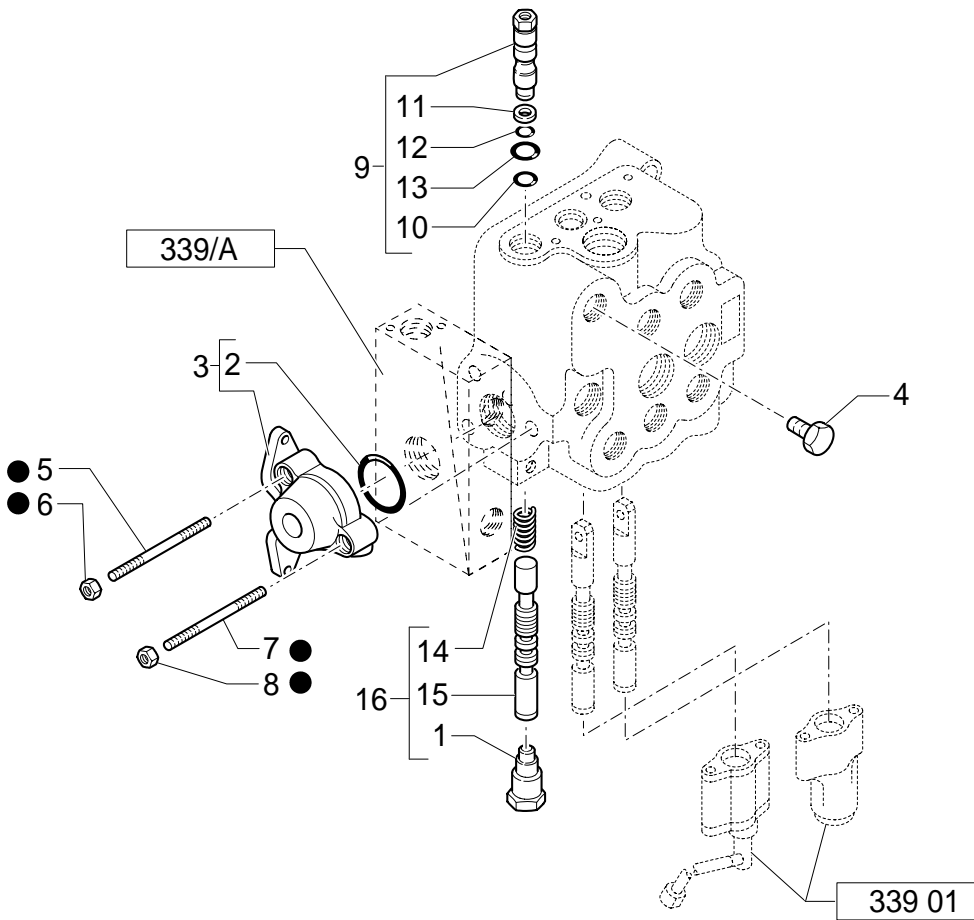
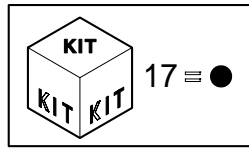
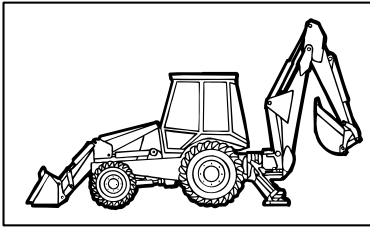
339

02

p1

12/05

LOADER CONTROL VALVE, THREE SECTION, CAP & UNLOAD VALVE (CENTER PIVOT)

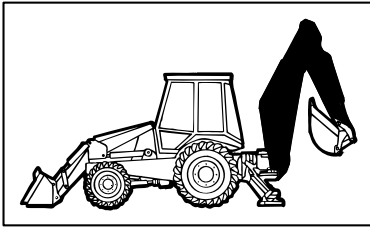



STABILIZER CONTROL VALVE, THIRD SECTION (CENTER PIVOT)


REF	FN	PART NUMBER	YR/SN	QTY	DESCRIPTION
1		9968526		1	ELEMENT, JOINING ASSY
2		85813418		2	GASKET
3		85813419		2	RING, OIL SCRAPER
4		9968481		2	SEAT/SLOT
5		9968531		1	SPRING
6		9968483		1	SCREW
7		9968484		1	COVER
8		9968486		2	SCREW
9		9968477		1	PLUNGER
10		9968478		1	SPRING
11		9968480		2	PLATE, COVER
12		9968460		2	SCREW

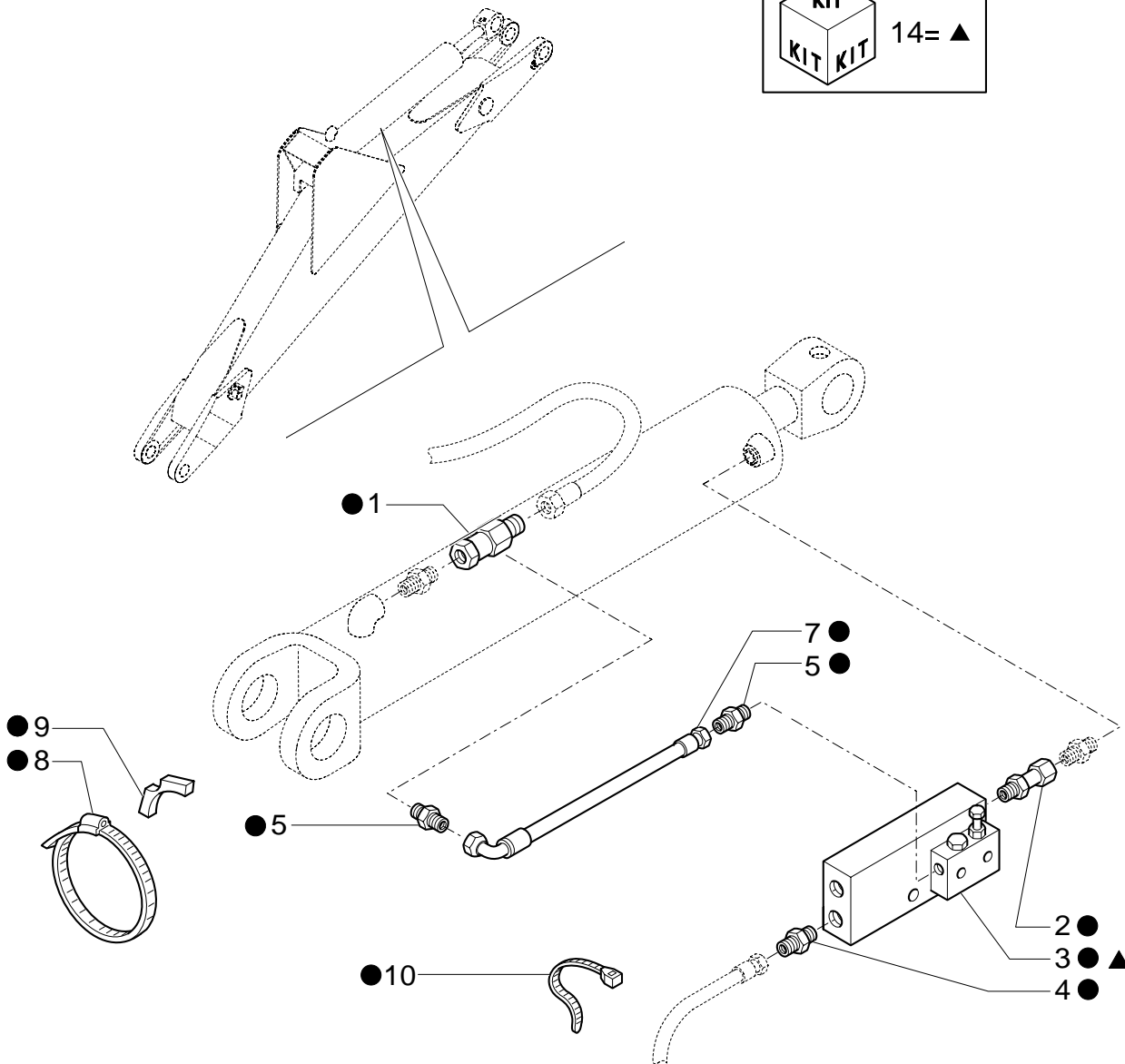
Mechanical Version

BACKHOE LIFT & DIPPERSTICK CYLINDER LOCK VALVE



 15= ●
SEE ALSO PAG.1

 14= ▲



TELESCOPIC CONTROL VALVE, 3 SECTIONS(CENTER PIVOT)

REF	FN	PART NUMBER	YR/SN	QTY	DESCRIPTION
1	1	85819685		1	DISTRIBUTOR ASSY
1	2	87331094		1	DISTRIBUTOR
2		11193879		3	WASHER, LOCK
3		16043921		3	SCREW M8x1,25x35
5		85819721		1	VALVE, HYDRAULIC
6		9968528		1	STUD
7		9968524		1	PANEL, SIDE
8		9968476		5	O-RING
9	3	9970107		2	ELEMENT, JOINING
10	4	9968526		1	ELEMENT, JOINING
11		9968527		1	PANEL, SIDE
12		9968529		2	STUD
13		9968441		4	NUT
14		9968440		2	NUT
15	1	9968594		1	VALVE, HYDRAULIC
15	2	87331276		1	VALVE, HYDRAULIC

- (1) UP TO S/N XXX
(2) FROM TO S/N XXX
(3) See Page 344
(4) See Page 356

Mechanical Version

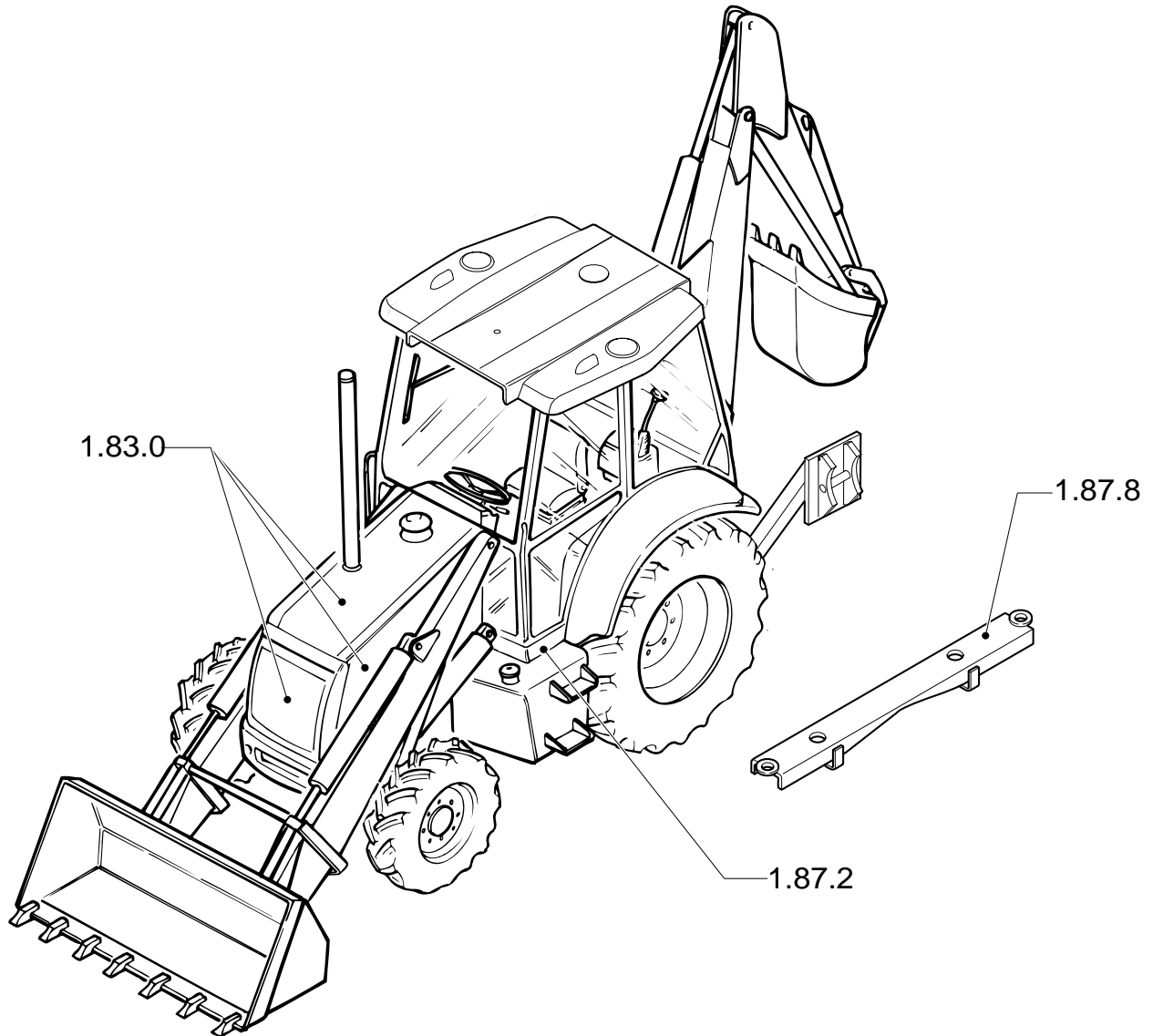
SEC. 08

00

p1

02/05

BODY & HOOD



SEC. 09

00

p1

02/05

LOADER 1/1

REF	FN	PART NUMBER	YR/SN	QTY	DESCRIPTION
-----	----	-------------	-------	-----	-------------

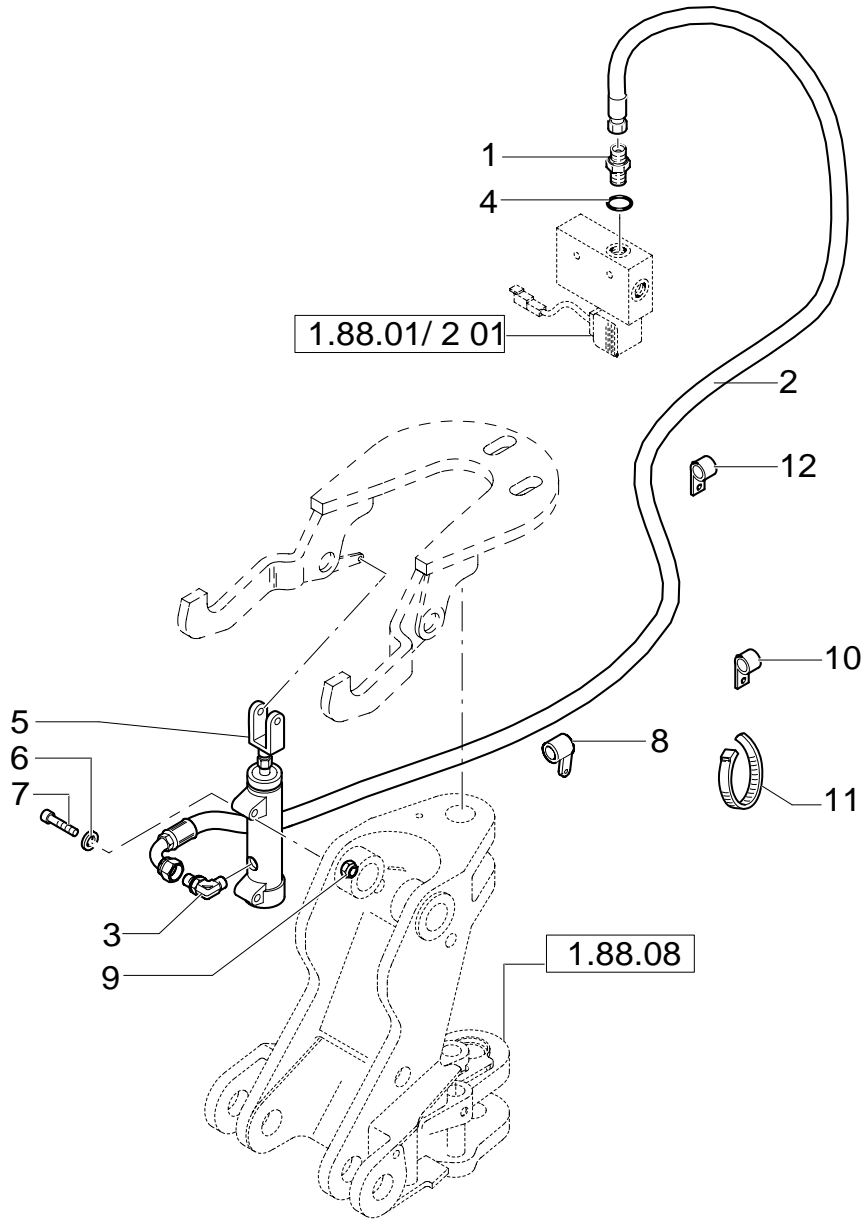
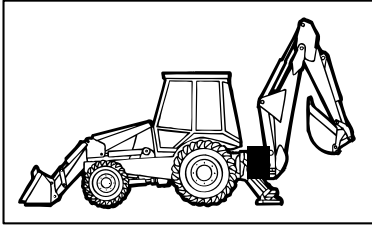
1.88.01/ 2

02

p1

11/05

TRANSPORT LOCK HOOK, CYLINDER & HOSE (SIDE SHIFT,CENTER PIVOT)



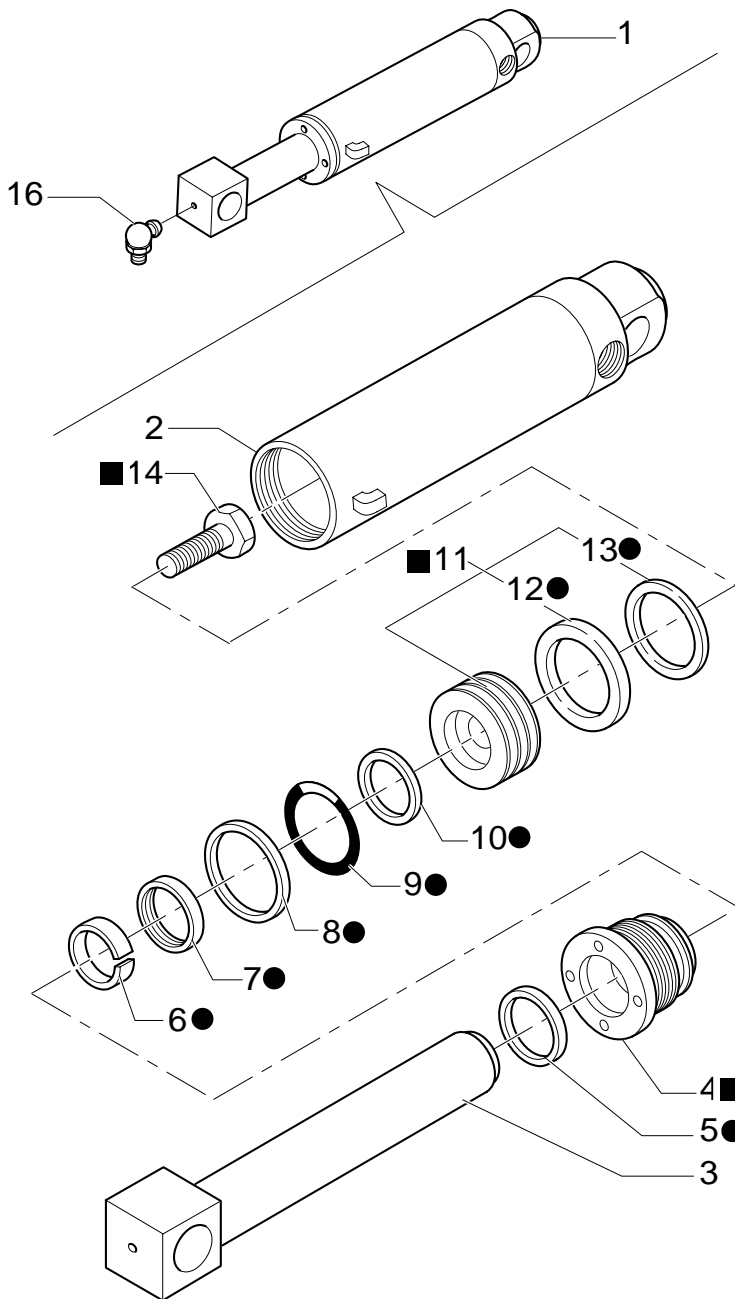
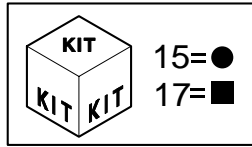
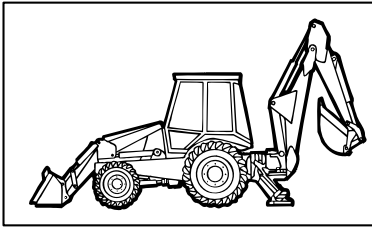
LIFT CYLINDER

REF	FN	PART NUMBER	YR/SN	QTY	DESCRIPTION
1		87315525		2	HYDRAULIC CYLINDER ASSY,LOADER
2		85801049		1	PIN 38mm x 159mm
3		87916S8		4	NIPPLE, LUBE
4		N800272S36M		1	RING
5		85801050		1	PIN 38mm x 183mm
6		87402742		2	PIN
7	1	85800103		2	ROD
8		290620		4	BUSHING
9		85800105		2	LINER, ENGINE CYLINDER
10		291550		4	BUSHING
11		85802993		2	PIN
12		85802992		2	O-RING
13		47049094		4	CIRCLIP
14		87408634		2	Ring, Wear
15		87414969		2	WIPER
16		87440401		2	BACK-UP RING
17		87414970		2	PACKAGE, SEALS
18		87414966		2	BEARING, NYLON
19		87415116		2	PISTON
20		87421144		2	O-RING 5/8x0.097
21	2	87405859		2	PLUNGER
22		87414333		2	SEAL, HYD-CYLINDER
23		87414341		2	RING
24		87428020		2	SCREW
25		87428628		1	KIT, SEALS
26		87424196		1	CYLINDER HEAD

(1) Includes 8

(2) Includes 14, 22

STABILIZER CYLINDERS (CENTER PIVOT)



CLICK HERE TO **DOWNLOAD** THE COMPLETE MANUAL

- Thank you very much for reading the preview of the manual.
- You can download the complete manual from: www.heydownloads.com by clicking the link below



- Please note: If there is no response to CLICKING the link, please download this PDF first and then click on it.

CLICK HERE TO **DOWNLOAD** THE COMPLETE MANUAL

FRONT CONTROL VALVE SUPPORT AND TRANSMISSIONS (CENTER PIVOT)

REF	FN	PART NUMBER	YR/SN	QTY	DESCRIPTION
1		85804376		1	JOINT, UNIVERSAL
2		16102311		3	NUT
3		85801564		1	TIE-ROD
4		16102911		3	NUT LH
5		85804375		3	JOINT, UNIVERSAL
6		85805616		1	PIN
7		85805692		1	PIN
8		85801566		1	TIE-ROD
9		85805690		1	LEVER, IDLER
10		85802738		2	PIN
11		11991971		2	YOKE
12		85801562		1	TIE-ROD
13		14048211		4	NUT M8X1,25
16		14568887		AR	BUTTON
17		85802842		1	BOOT
18		15540321		2	SCREW Cap, HH, CL 8.8, M12 x 1.25 x 25
19		11190779		6	WASHER, LOCK
20		85801518		1	JOINT, UNIVERSAL
21		85802494		2	BUSHING
22	1	85817789		1	SUPPORT
22	2	87312027		1	SUPPORT
23		11112821		4	BOLT M12X40
24		85804539		1	BOOT W/CAB
25		85808422		6	PLUG W/CAB

(1) UP TO S/N XXX

(2) FROM TO S/N XXX

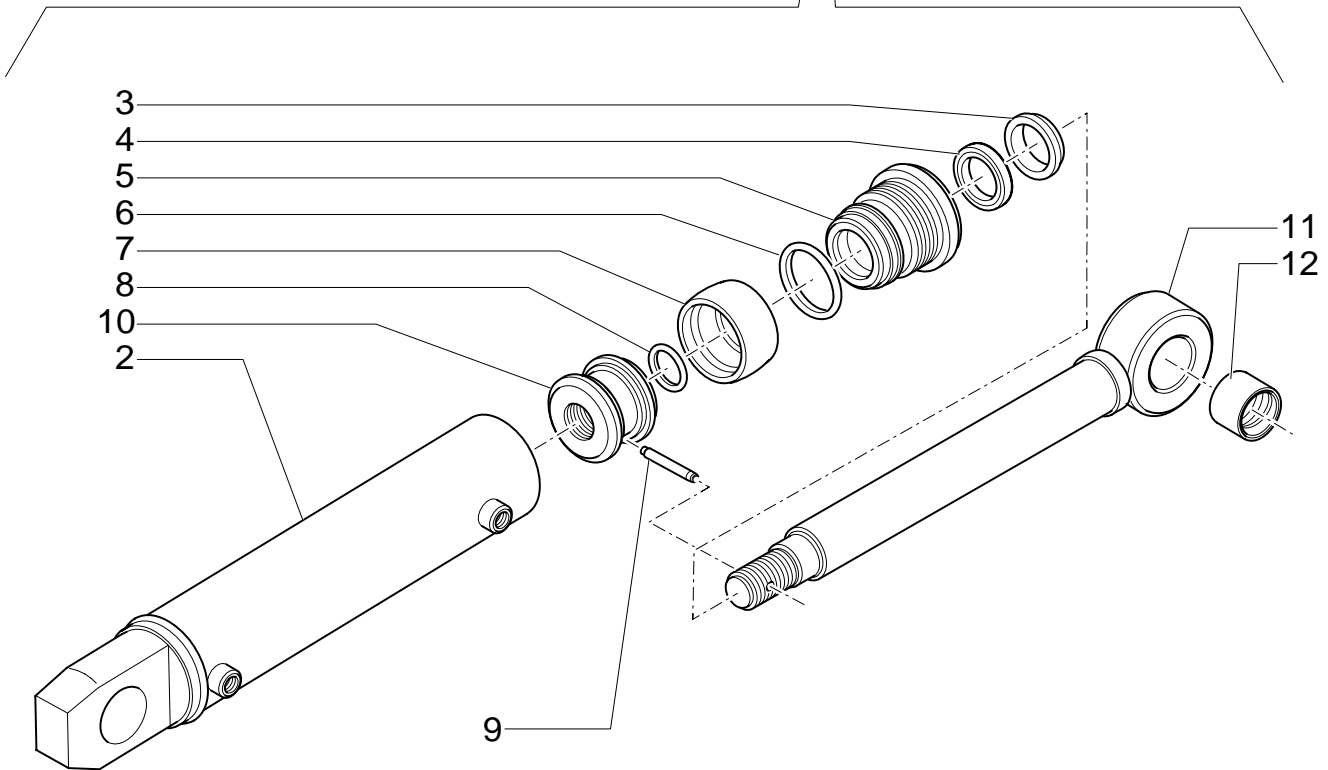
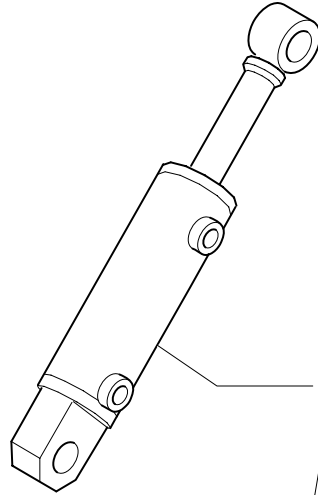
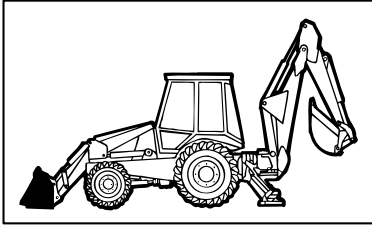
469/ A

01

p1

11/05

HYDRAULIC CYLINDER (BUCKET 4X1-6X1)



BUCKET 4X1 (1 M3) WITH TINE

REF	FN	PART NUMBER	YR/SN	QTY	DESCRIPTION
1		85820032		1	BUCKET
2		85820033		1	BUCKET
3		85820018		2	SCREW M10X90
4		85820035		2	NUT M10X1,5
5		85820021		1	SCREW M8X120
6		85820031		1	NUT M8
7		85820034		12	SCREW M6X30
8		85820019		2	PIN
9		85820028		12	CLAMP
10		85820027		2	CLAMP
11		85820026		2	PLATE
12		85820014		6	NIPPLE, LUBE M10X1
13		85820030		2	SCREW
14		85820010		2	GUARD
15		85820012		4	WASHER, SEALING
16		85820016		2	PIN, ROLL 10X80
17		85820017		2	PIN
18		85820005		2	CYLINDER
19		85820013		4	BUSHING
20		85820015		2	PIN
21		85820007		8	SCREW M14X35
22		85820009		8	WASHER, SEALING
23		85820008		10	NUT M14X2
24		85820006		1	BLADE, KNIFE
25		85820025		4	CONNECTOR, HYD.
26		85824364		2	HOSE, FLEXIBLE
27		85824363		2	HOSE, FLEXIBLE
28		85820039		2	TUBE, RIGID
29		85820040		2	CONNECTOR, HYD.
30		85820038		2	TUBE, RIGID
31		85820011		2	SCREW
32		85820020		2	SCREW
33		NSS		3	NOT SERVICED SEPARATELY
34		NSS		1	NOT SERVICED SEPARATELY

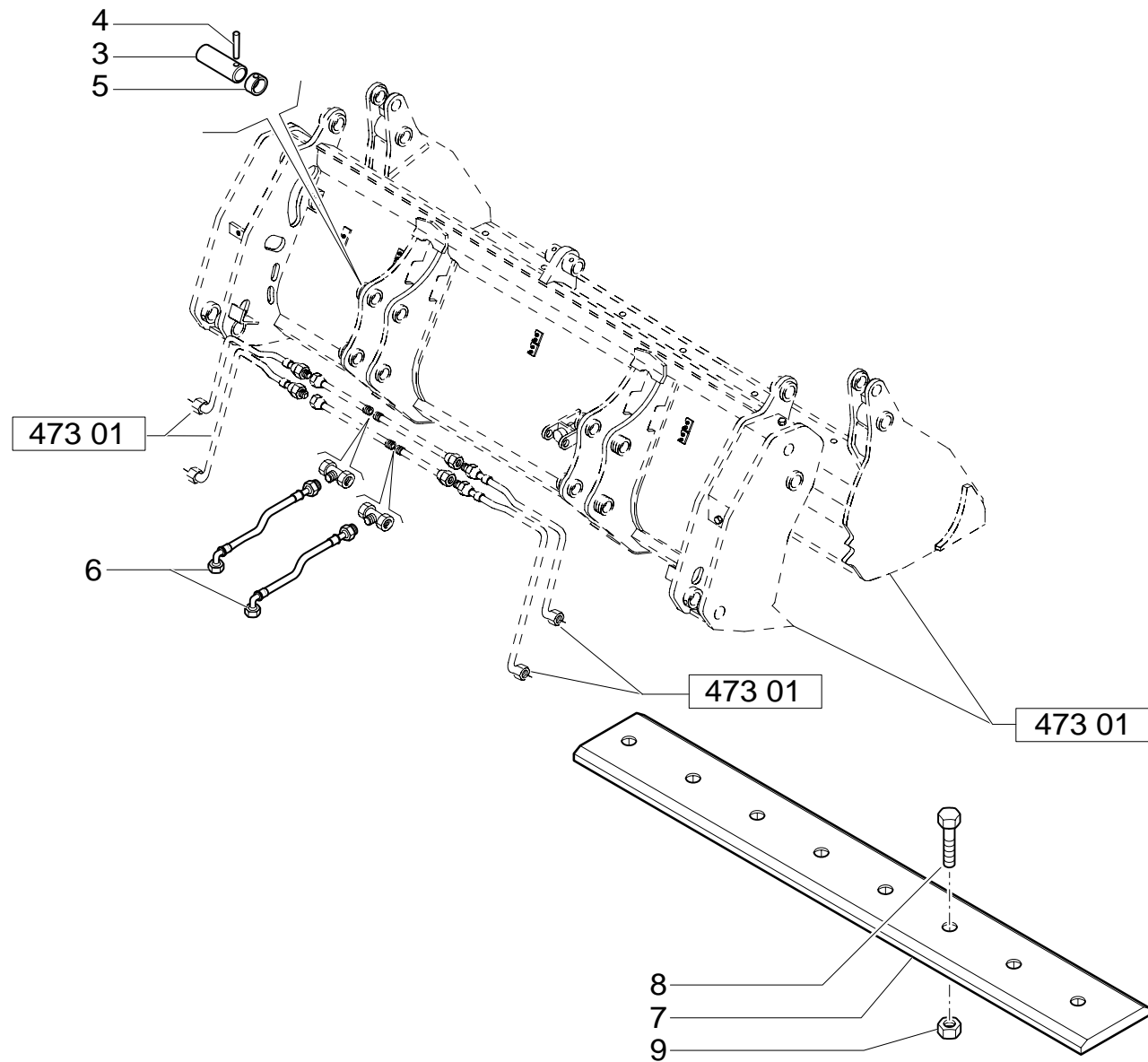
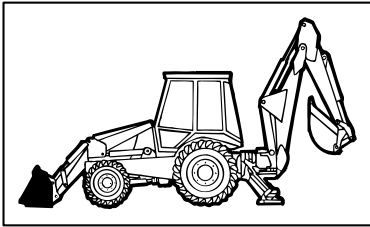
473

02

p1

11/05

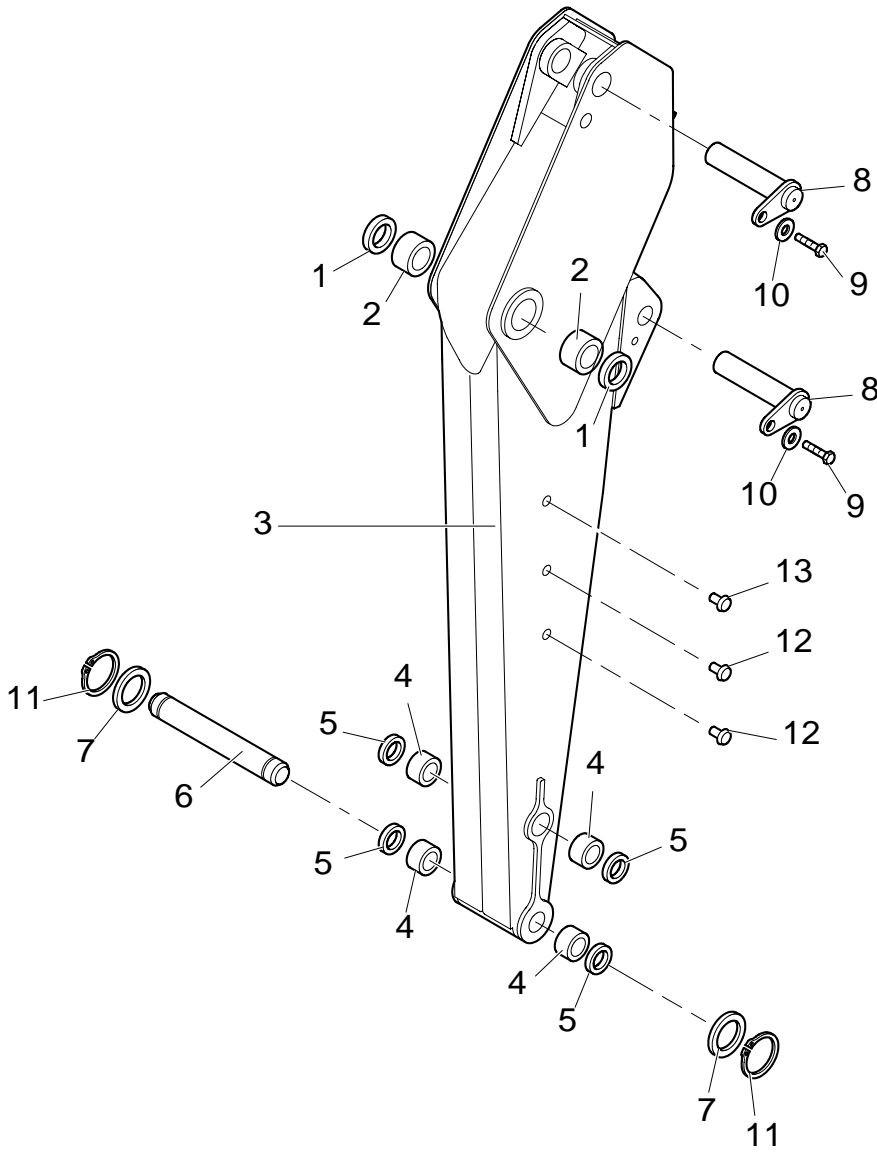
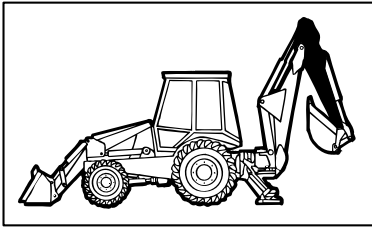
BUCKET 6X1 (1 M3) WITH BLADE



BUCKET 6X1 (1 M3) WITH TINE

REF	FN	PART NUMBER	YR/SN	QTY	DESCRIPTION
36		85820019		2	PIN
37		85820020		2	SCREW M14X30
38		85820011		4	SCREW M8X16
39		85820012		4	WASHER, SEALING
40		85820010		2	GUARD
41		85820030		2	SCREW M8X45
42		NSS		3	NOT SERVICED SEPARATELY
43		NSS		1	NOT SERVICED SEPARATELY

SHORT DIPPER



SHORT DIPPER - HYDRAULIC SYSTEM

REF	FN	PART NUMBER	YR/SN	QTY	DESCRIPTION
1		85815638		1	TUBE, RIGID
2		85802957		1	ELBOW
3		85803008		1	COLLAR
4		87303910		1	SPACER
5		390938S36		1	CONNECTOR, HYD.
6		85825442		1	COLLAR
7		85825441		1	CLIP
8		14305321		1	SCREW

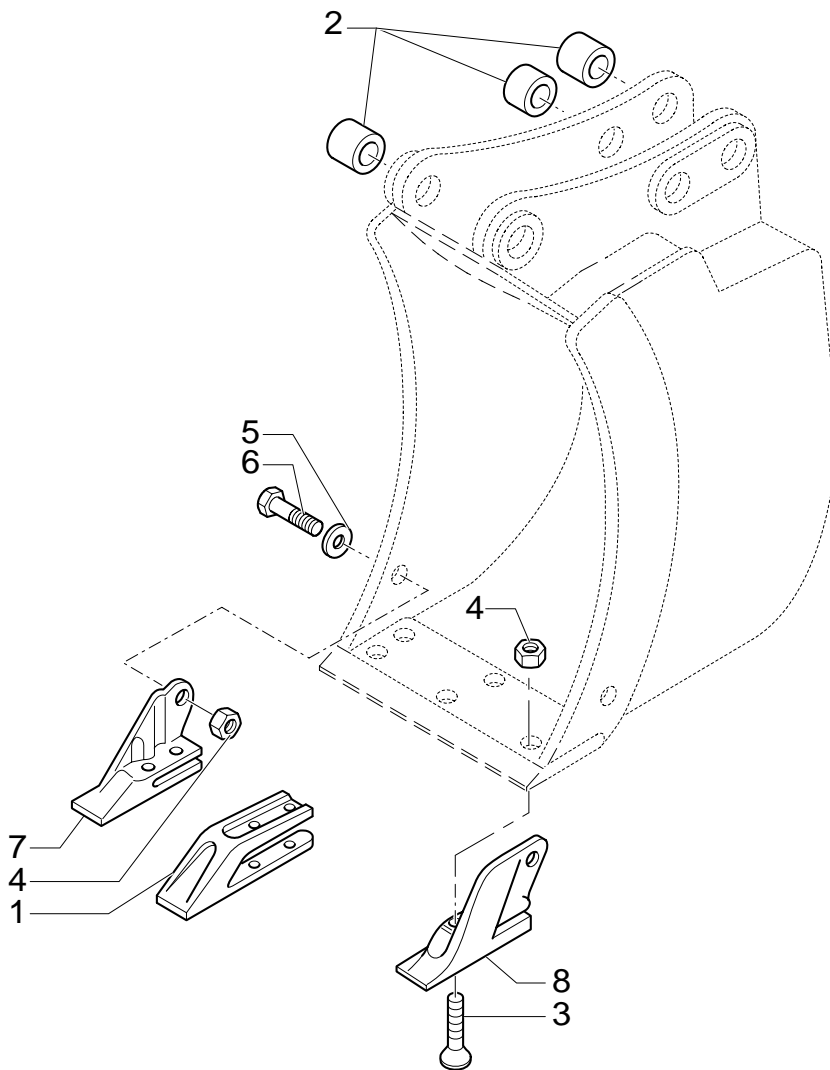
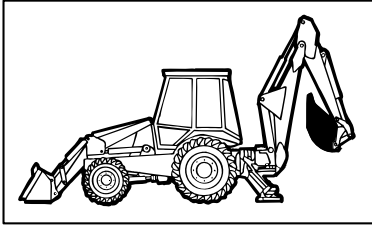
515

02

p1

02/05

12" (305MM) BACKHOE BUCKET WITH BOLT-ON TEETH

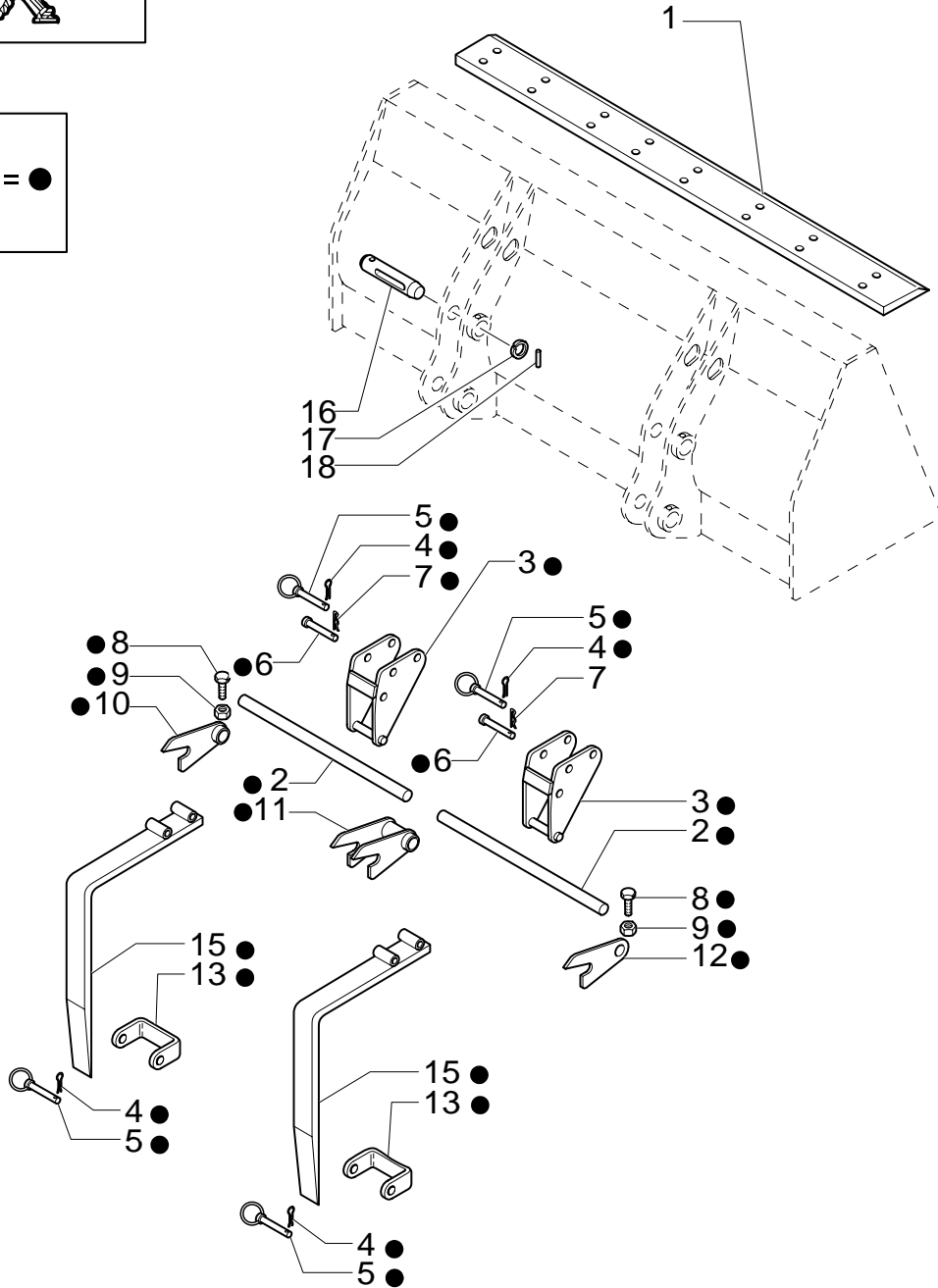
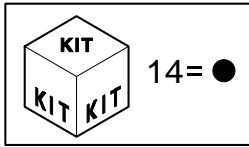
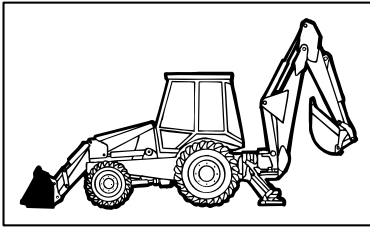


30" (762MM) BACKHOE BUCKET WITH PIN TEETH

REF	FN	PART NUMBER	YR/SN	QTY	DESCRIPTION
1		D7NNC584A		6	BUSHING
2		85801098		5	STOP
3		85801097		5	PIN
4		85811432		5	TOOTH, BUCKET
5		85821788		5	TOOTH, BUCKET
6		{85824018}		5	

--

STANDARD 1MC BUCKET WITH FORKS



BOLT-ON TOOTH KIT, 18" (457MM) & 24" (610MM) BACKHOE BUCKETS

REF	FN	PART NUMBER	YR/SN	QTY	DESCRIPTION
1		85811440		2	LUG
2		85801376		1	LUG LH
3		85801371		8	BOLT
4		85801470		10	NUT 5/8"-11
5		10520211		2	WASHER
6		88706		2	BOLT Cap, HH, G8, 5/8"-11 x 1-3/4"
7		85801377		1	LUG RH

--

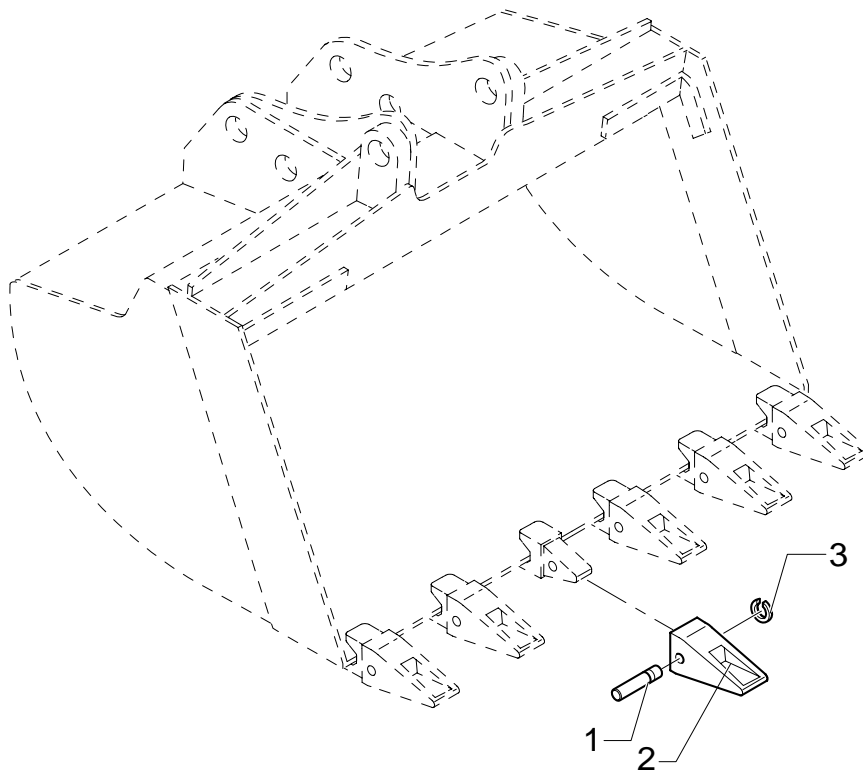
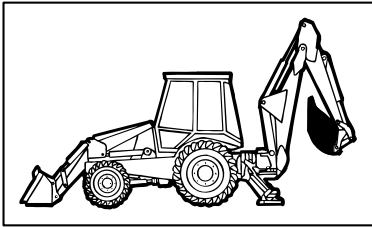
533

01

p1

02/05

PIN TOOTH KIT, 36" (914MM) BACKHOE BUCKET

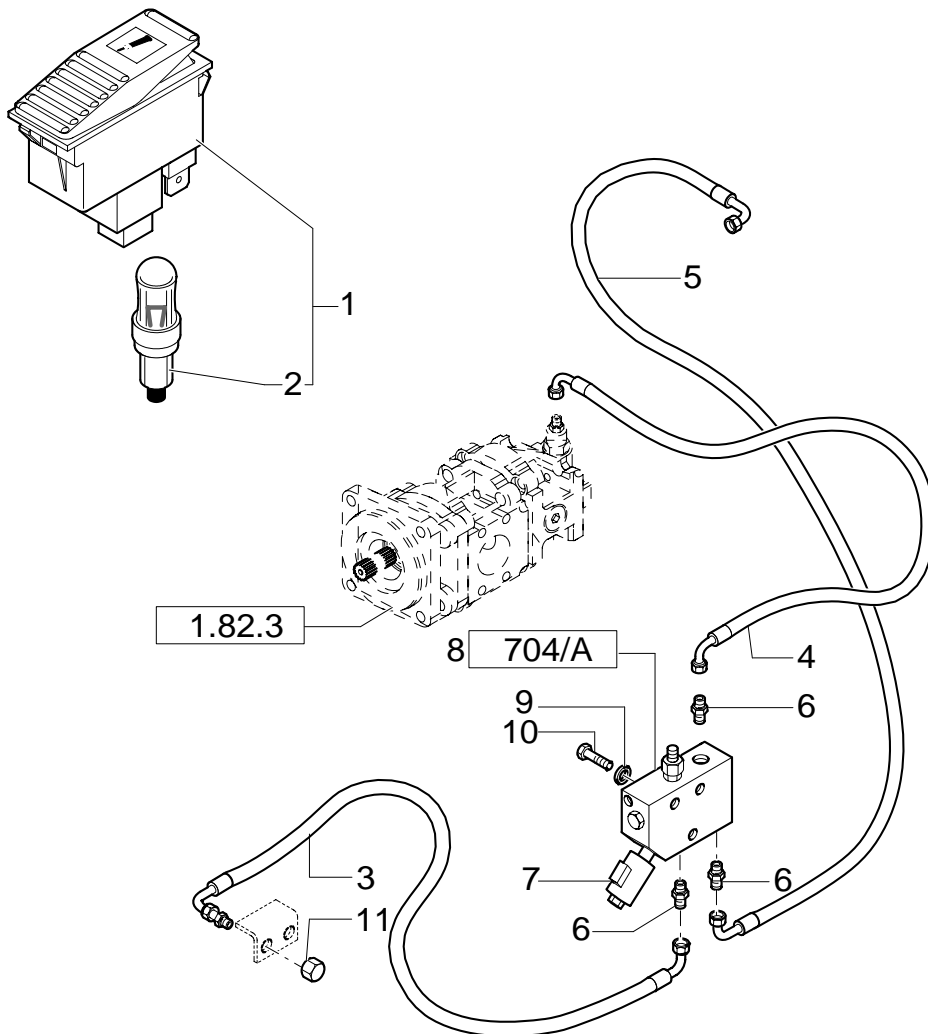
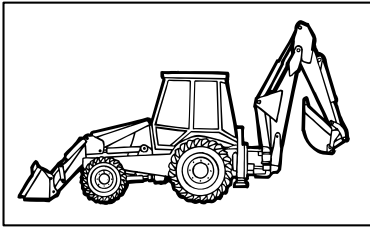


LOADER BUCKET REVERSIBLE BLADE

REF	FN	PART NUMBER	YR/SN	QTY	DESCRIPTION
1	1	85801161		1	EDGE, CUTTING 35 Deg. cutting edge
2		85801470		8	NUT 5/8"-11
3		85801371		8	BOLT 5/8"X2" 1/4
(1) Reversible bolt on					

--

MANUAL HAMMER SYSTEM



724/ A

01

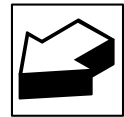
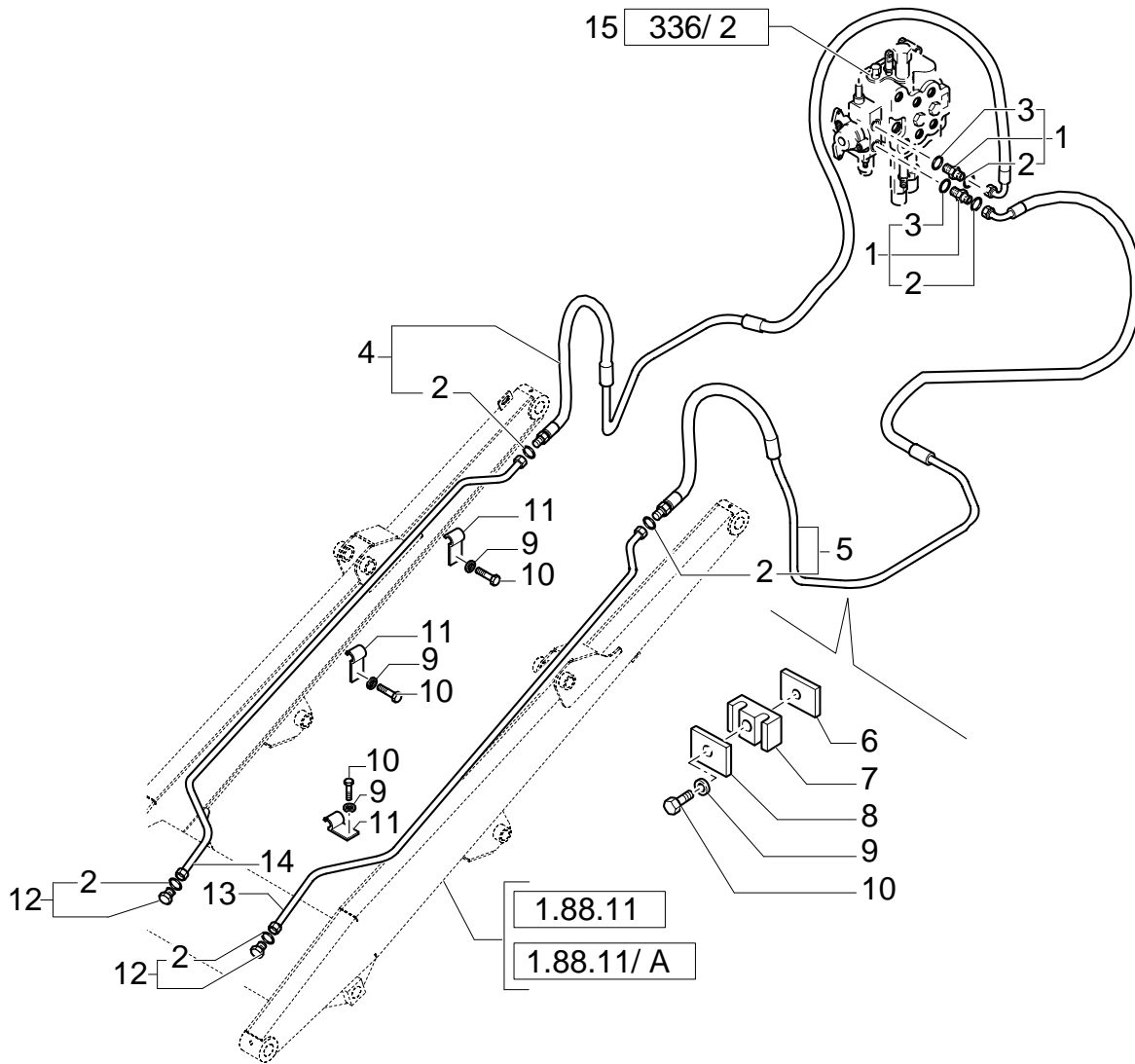
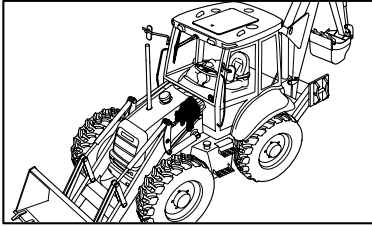
p1

11/05

REAR HAMMER CONTROL VALVE

REF	FN	PART NUMBER	YR/SN	QTY	DESCRIPTION
1		87358199		1	VALVE, HYDRAULIC ASSY
2		9970181		1	KIT, SEALS GASKETS
3		9970178		1	VALVE, PRESSURE RELIEF ASSY
4		9970180		1	VALVE, HYDRAULIC ASSY
5		9970179		1	REGULATOR, VOLTAGE ASSY
6		9970384		1	NUT, RING

4X1 & 6X1 BUCKET HYDRAULIC LINES



BOOM - LONG DIPPER

REF	FN	PART NUMBER	YR/SN	QTY	DESCRIPTION
1	1	85816801		1	ARM
2		D7NNC512C		2	BUSHING, DRIVE
3		D9NNC513CA		4	SEAL PROTECTION
4		85815698		1	PIN
5		87901S8		2	NIPPLE, LUBE 1/8"-27
6		85802396		1	WASHER
7		85802397		2	SCREW
8		85815607		1	PIN
9		85818916		4	SHIM
10		85815609		1	WASHER

(1) Includes 2, 3

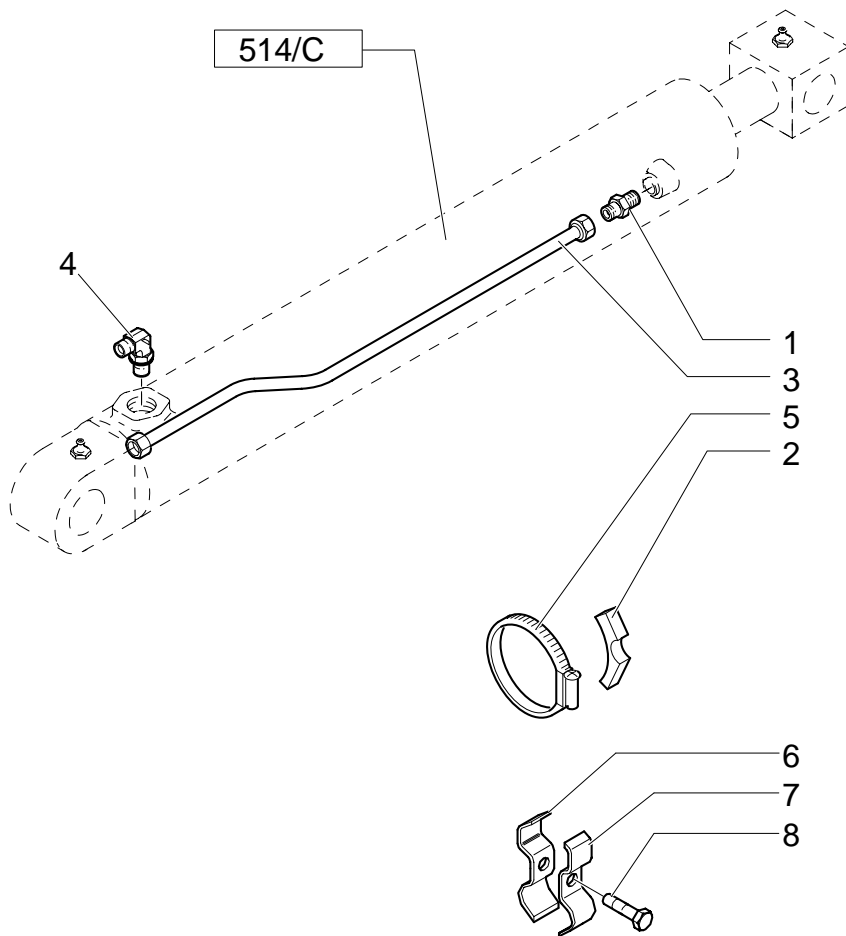
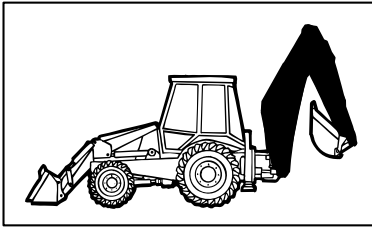
900

07

p1

03/05

LONG DIPPER - HYDRAULIC SYSTEM



TELESCOPIC DIPPER LONG

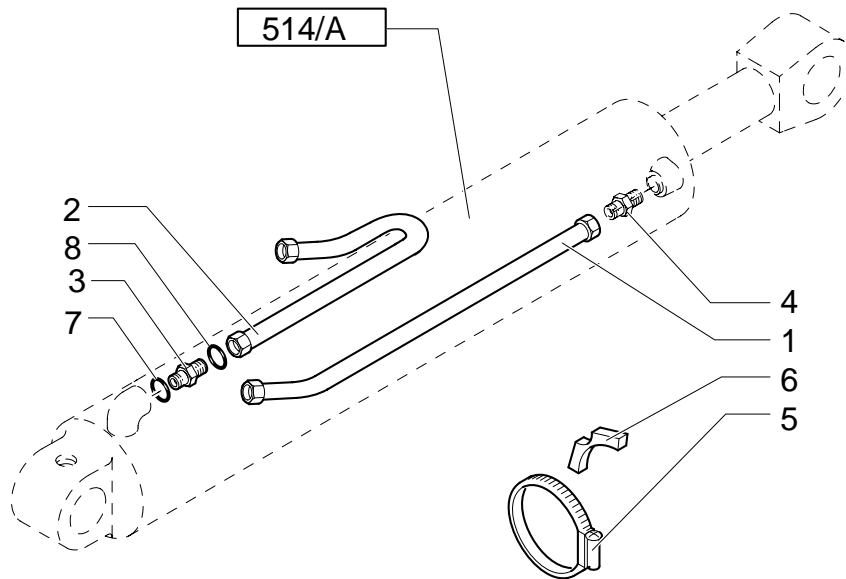
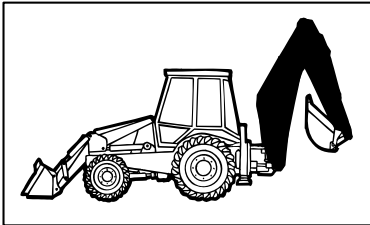
REF	FN	PART NUMBER	YR/SN	QTY	DESCRIPTION
1	1	87327256		1	HYDRAULIC CYLINDER
1	2	87327259		1	HYDRAULIC CYLINDER
2		87327251		1	TUBE, RIGID
3		87342131		1	KIT
4		E9NN3R862AA		2	CONNECTOR, HYD.
5		1542875C1		1	SET OF PARTS
6		87303910		1	SPACER
7		G100444		1	SEAL
8		87313722		1	ROD
9		D95143		1	SEAL
10		297281A1		1	CAP CYLINDER END
11		G102425		1	BUSHING, LARGE
12		G109298		1	RING
13		87313720		1	LINER, ENGINE CYLINDER
14		86982435		1	BOLT, SPECIAL
15		{G107277}		1	
16		{G100443}		1	
17		G100449		1	Ring, Wear
18		85803010		1	CLAMP
19		{110692A4}		1	
20		86482S95		2	O-RING
21		238-5231		1	O-RING

(1) Only for NA Version

(2) Only for EUROPE Version

From To S/N XXX

TELESCOPIC DIPPER SHORT - HYDRAULIC SYSTEM



TELESCOPIC DIPPER SHORT - HYDRAULIC SYSTEMM

REF	FN	PART NUMBER	YR/SN	QTY	DESCRIPTION
1		87315517		1	HYDRAULIC CYLINDER ASSY
2		85816811		1	TUBE, RIGID
3		87428620		1	KIT, SEALS
4		E9NN3R862AA		2	CONNECTOR, HYD.
5		87414339		1	GASKET
6		87303910		1	SPACER
7		87414331		1	GASKET
8		85800805		1	ROD
9		87414969		1	WIPER
10		87415113		1	PLATE, BASE
11		87414970		1	PACKAGE, SEALS
12		D8NNA233AB		1	WIRE, RETAINING
13		85800806		1	LINER, ENGINE CYLINDER
14		87428020		1	SCREW
15	1	87405560		1	PISTON
16		87421142		1	O-RING
17		87440399		1	BACK-UP RING
18		85803010		1	CLAMP
19		87424184		1	CYLINDER HEAD
20		86482S95		2	O-RING

(1) Includes 7

Mechanical Version, Up To S/N XXX

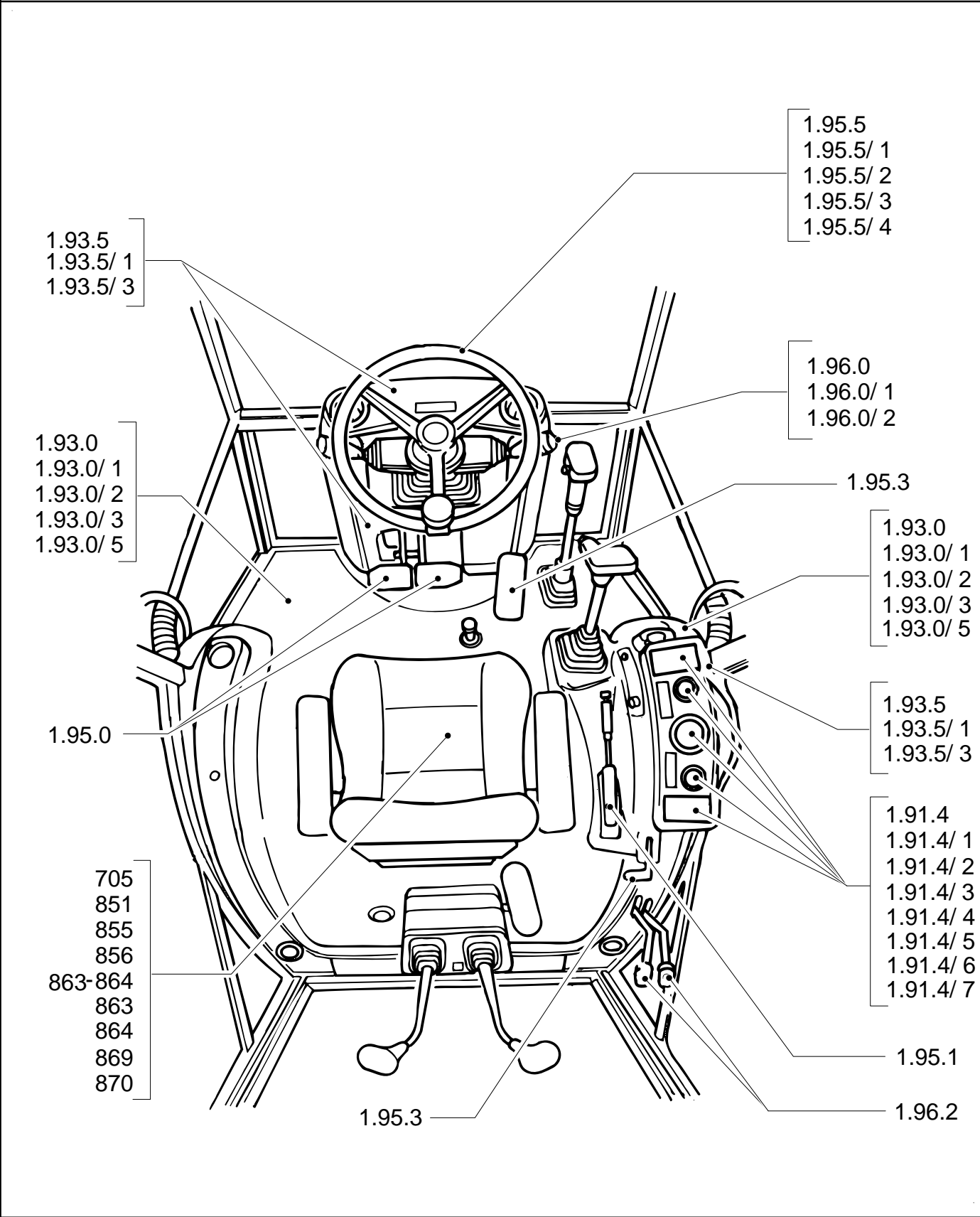
SEC. 10

01

p1

02/05

BODY, HOOD & DRIVER'S POST 2/3



1.91.1/ 1

01

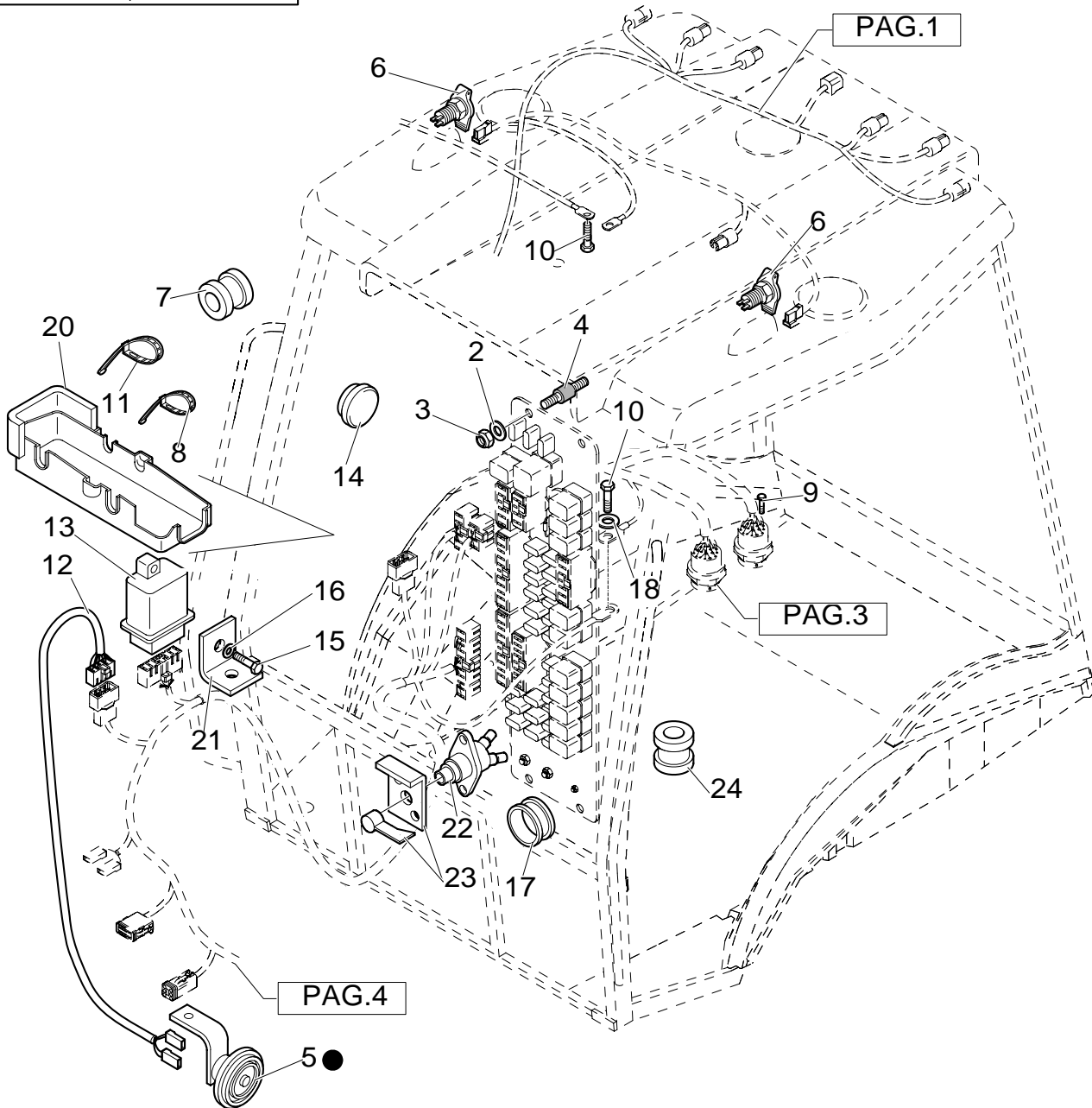
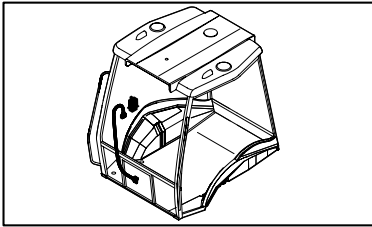
p1


11/05

SAFETY FRAME- INSTRUMENTS AND GAUGES

REF	FN	PART NUMBER	YR/SN	QTY	DESCRIPTION
1		87431469		1	SWITCH
2		85804675		2	KEY, LOCK
3		85807866		1	KIT
4		784122		1	PLUG
5		10427200		1	RIVET
6		85827548		1	SEAT/SLOT
7		85807855		1	CABLE, ELECTRIC

RH SIDE CONSOLE TRIM, INSTRUMENT CLUSTER & SWITCHES (ROPS CP POWER SHUTTLE)



 1 = ● see also PAG. 1. 2. 3. 4.



IGNITON SWITCH, POWER POINT, FUSE PANEL & SIDE CONSOLE HARNESS (CAB CP POWER SHUTTLE)

REF	FN	PART NUMBER	YR/SN	QTY	DESCRIPTION
1		{87318748}		1	
2		10615274		6	WASHER, LOCK
3		12574011		6	NUT
4		85802478		4	SILENTBLOC
5		47133992		1	HORN
6		82002966		2	SOCKET, POWER
7		10398980		1	RING, INSULATING
8		5112712		5	COLLAR
9		13272214		2	SCREW M4X16
10		16042924		2	SCREW M8X10
11		85805383		30	RETAINER, CABLE
12		E7NN13752AA		2	SWITCH, ASSY
13		10519204		2	WASHER M4
14		13309417		2	SCREW M4X20
15		10450090		1	COLLAR, RETAINER
16	1	NSS		1	NOT SERVICED SEPARATELY
17		87410259		1	CABLE, ELECTRIC
18		85806132		1	ELECTRONIC UNIT, CONTROL
19		85808460		1	PLUG
21		11193274		1	WASHER, LOCK
22		85818823		1	SWITCH
23		14143790		1	BULB
24		87409316		1	SWITCH
20		10902624		1	SCREW M6X25

(1) Includes 17, 18

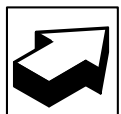
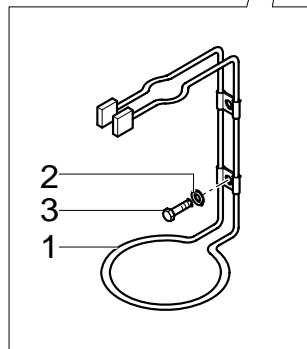
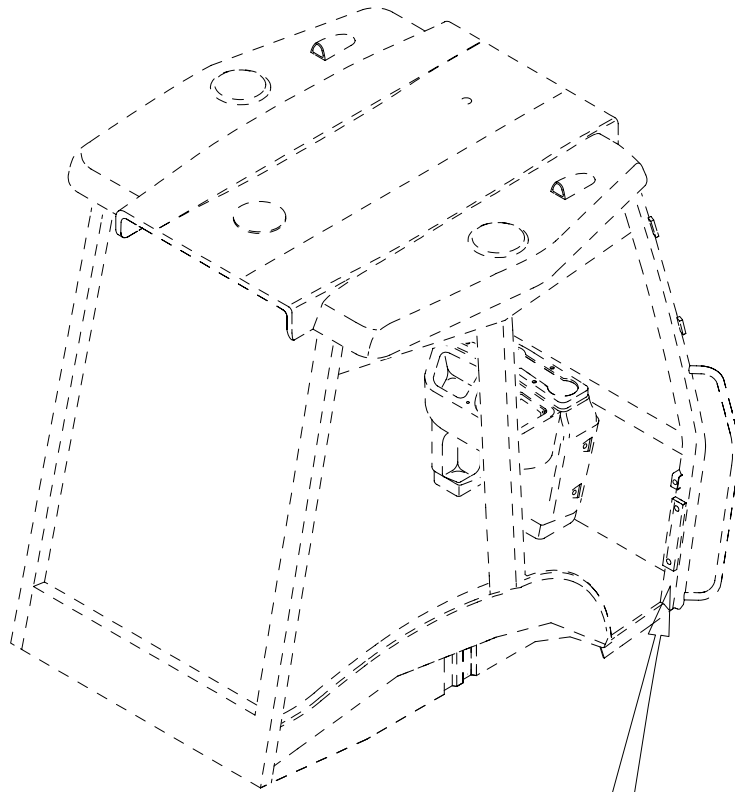
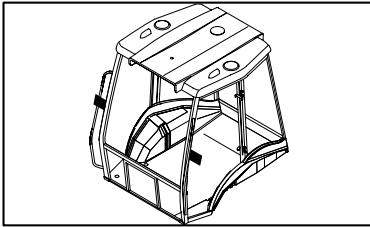
1.91.8

01

p1

02/05

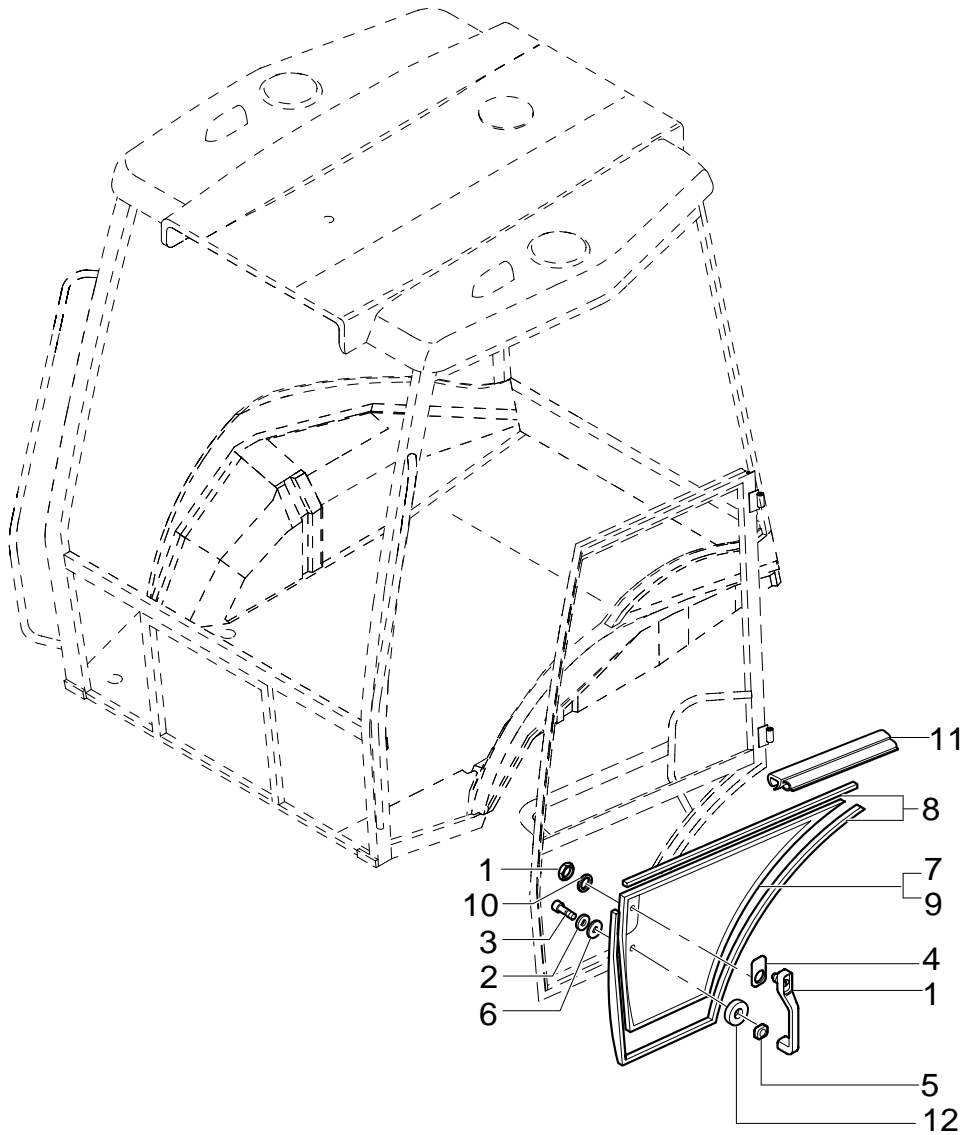
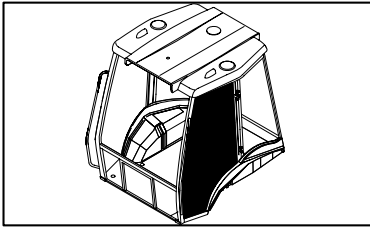
CAB-SAFETY FRAME / EXTINGUISHER



WINDOWS

REF	FN	PART NUMBER	YR/SN	QTY	DESCRIPTION
1		85801621		1	GLASS
2		85801622		1	GLASS ASSY, CAB RH
3		85801623		1	GLASS ASSY, CAB LH
4		85801630		1	GLASS ASSY, CAB RH
5		85801631		1	GLASS ASSY, CAB LH
6		85802334		M	GASKET
7		85805065		2	GASKET

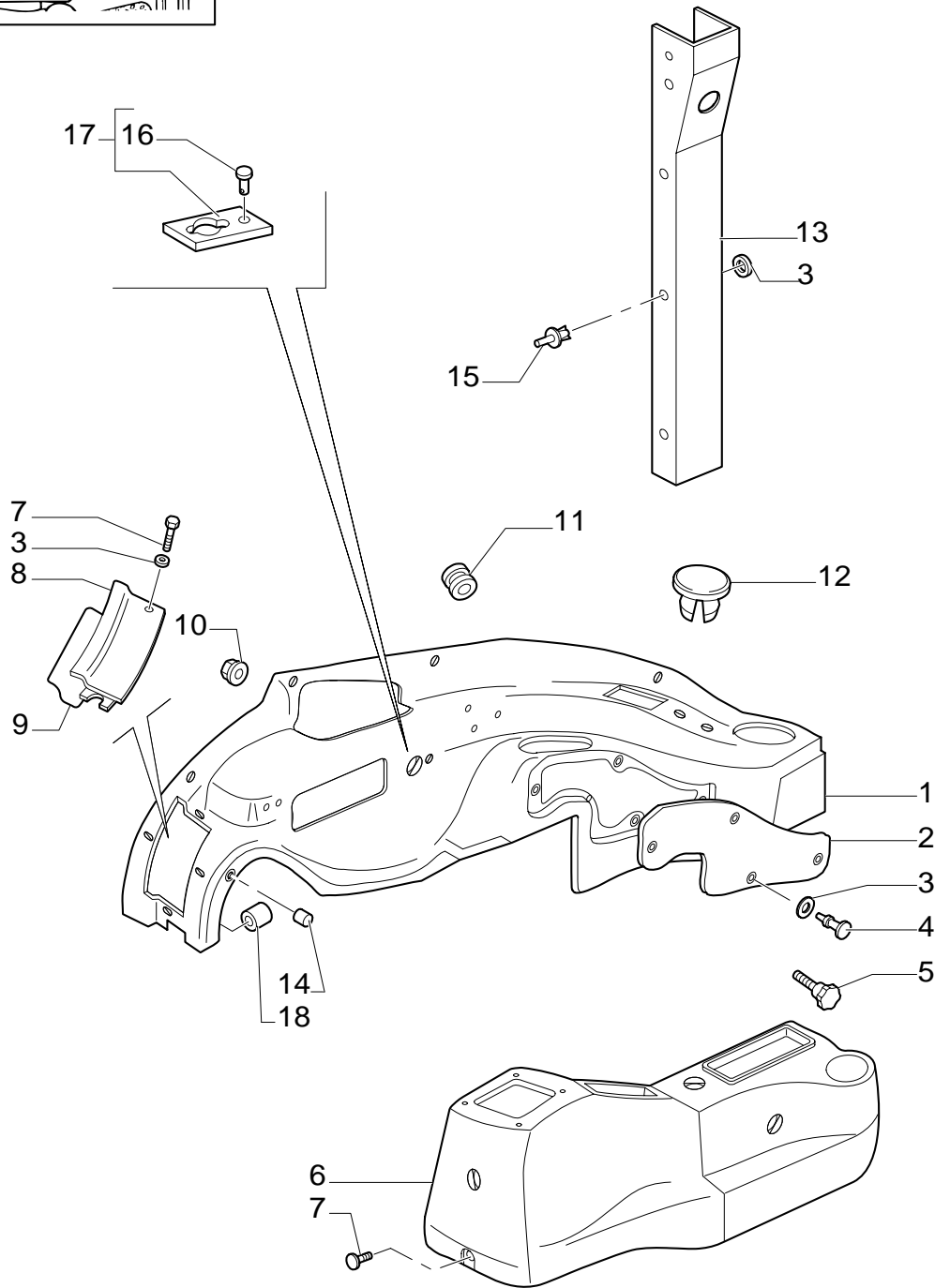
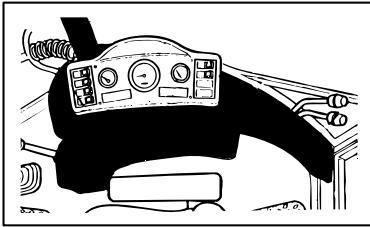
DOOR COMPONENTS



REAR WINDOWS

REF	FN	PART NUMBER	YR/SN	QTY	DESCRIPTION
1		85801831		1	CLIP LH
2		85801830		1	BLOCK RH
3		85801832		2	SPRING
4		85801833		2	KNOB
5		14161771		2	PIN, ROLL
6		85801834		2	PIN
7		16104111		4	NUT
8		5132136		4	GUARD
9		11198074		4	WASHER, SEALING
10		85827836		4	SCREW Cap, HH, CL 8.8, M8 x 1.25 x 25
11		85801820		1	PIN RH
11		85801821		2	PIN LH
12		85802018		2	BEARING ASSY
13		85802351		2	RING, LOCKING
14		85801823		2	PIN
15		85801824		2	SPRING
16		85801825		2	ARM, TRIP
17		15811387		2	PROTECTION CAP
19		12637821		4	WASHER
20		14306424		4	SCREW
21		11198074		4	WASHER, SEALING
18		12574111		4	NUT

CAB / SOFT TRIM



REAR MIRROR- SUN SCREEN

REF	FN	PART NUMBER	YR/SN	QTY	DESCRIPTION
1		5176441		1	SUN CURTAIN
2		14303324		4	SCREW
3		14197790		4	NUT
4		83995298		1	MIRROR, LH SX (CAB)
5		13313417		1	SCREW M6x25 (CAB)
6		11193274		4	WASHER, LOCK (ROPS)
7		85820138		2	MIRROR, REAR-VIEW
8		85820139		1	MIRROR, LH SX
9		85820136		1	MIRROR, RH DX
10		12642821		4	WASHER, LOCK
11		{85820140}		1	SX
12		{85820137}		1	DH
13		10902127		4	SCREW

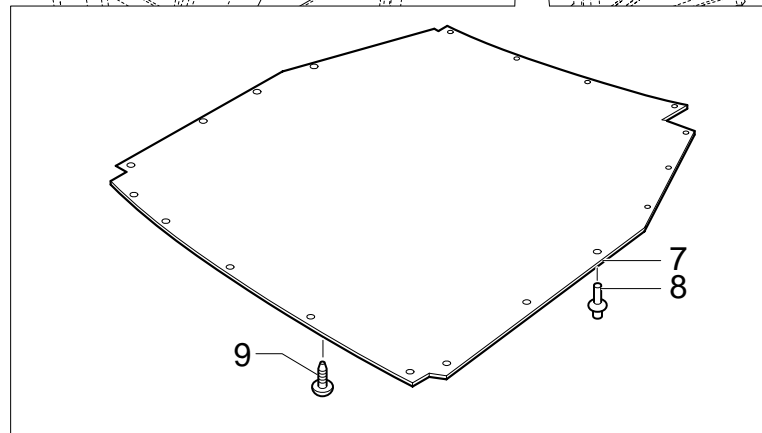
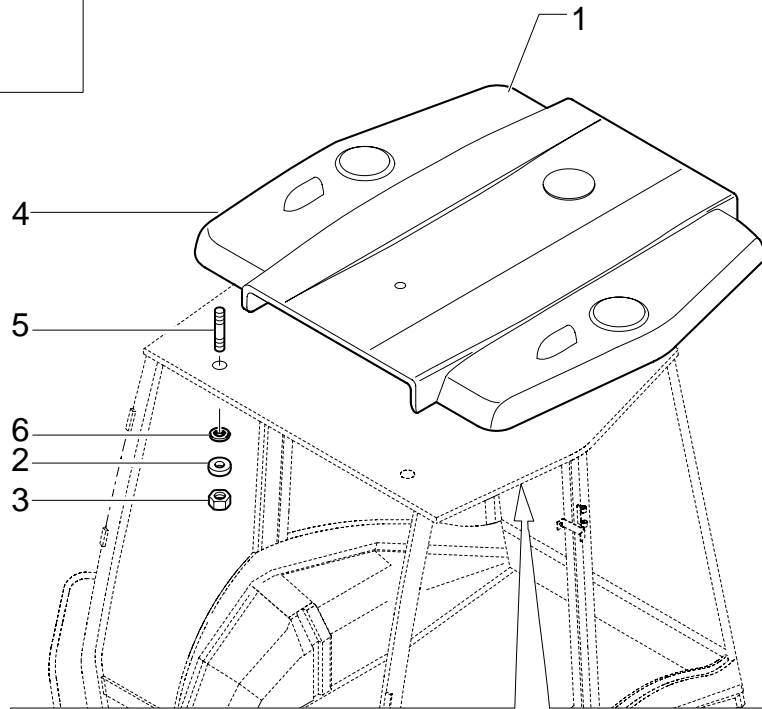
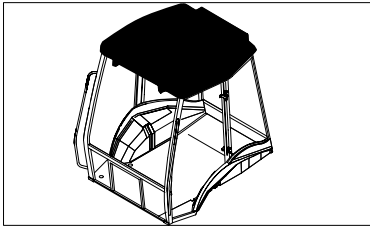
1.94.0

01

p1

02/05

CAB/ CANOPY



1.95.0

03

p1

08/05

CAB-SAFETY FRAME / BRAKE PEDAL

REF	FN	PART NUMBER	YR/SN	QTY	DESCRIPTION
1		85819177		2	TUBE, RIGID
2		5155703		2	CONNECTOR, HYD.
3		4858607		4	GASKET
4		85803312		2	CONNECTOR, HYD.
5		15212721		2	SCREW Hex, M6 x 40 8.8, Full Thd
6		14447021		2	WASHER
7		85805548		4	CLIP

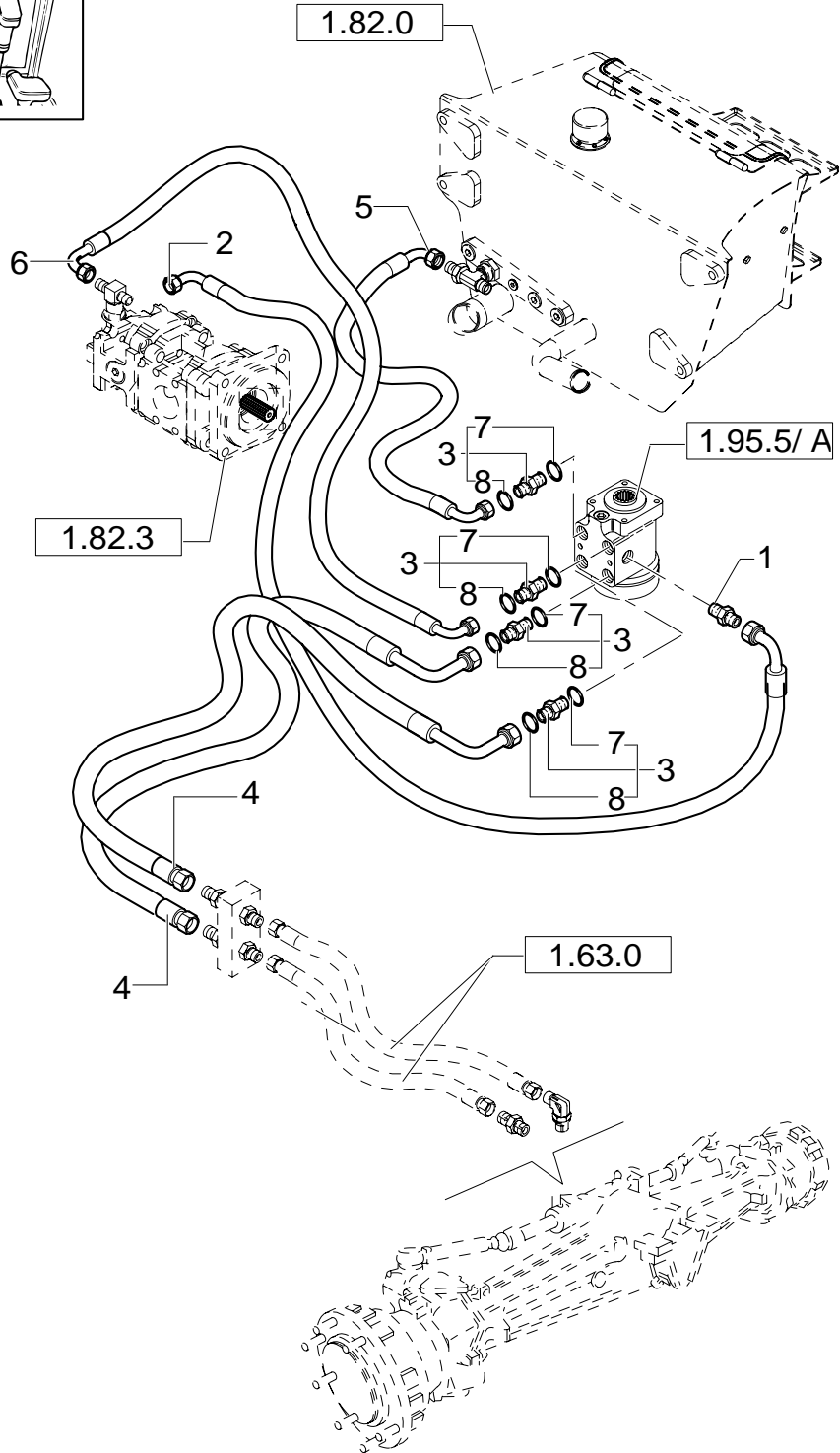
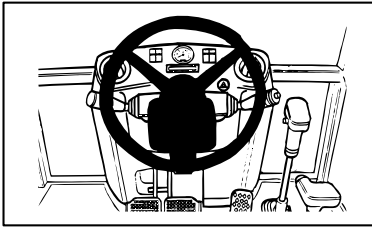
1.95.5

02

p1

12/05

POWER STEERING MOTOR HOSES



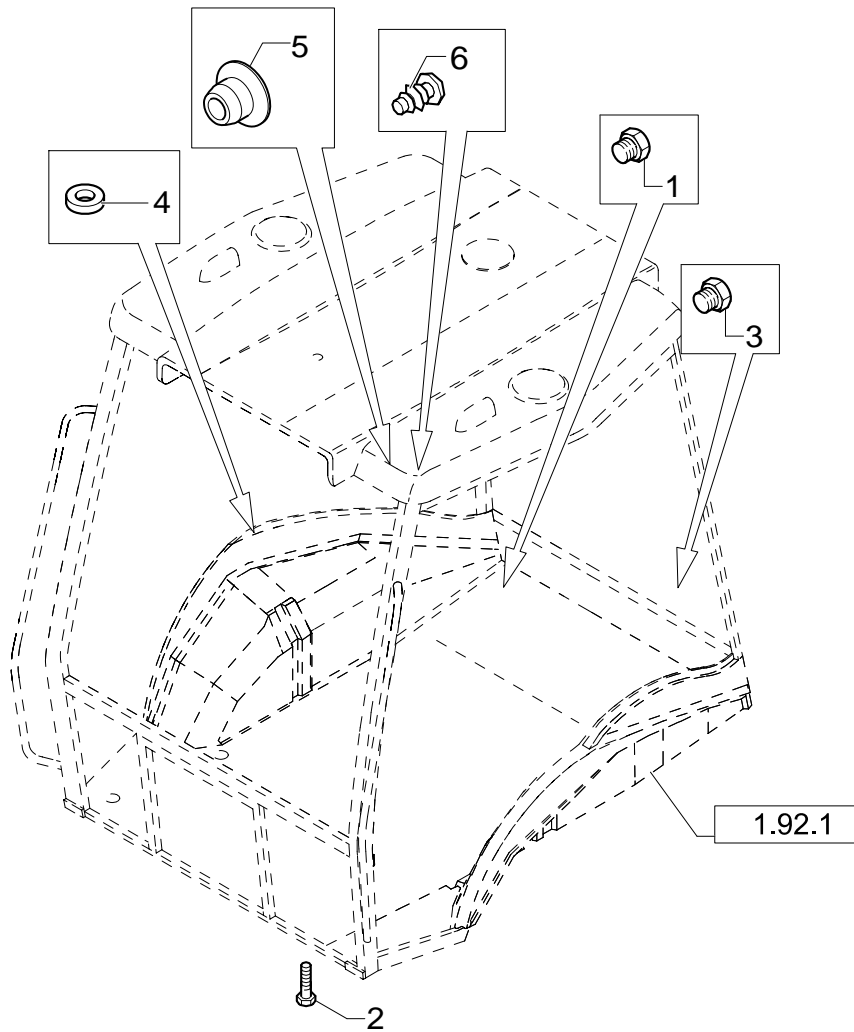
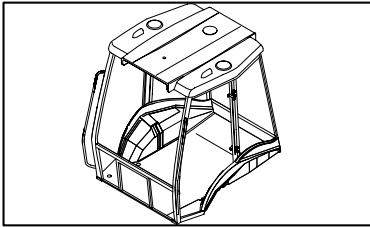
STABILIZER CONTROL

REF	FN	PART NUMBER	YR/SN	QTY	DESCRIPTION
1		85813136		4	BUSHING
2		85813134		1	LEVER RH
3		85813135		1	LEVER LH
4		85813133		1	SUPPORT
5		11193874		2	WASHER, LOCK
6		16043624		2	SCREW Cap, HH, CL 8.8, M8x25
7		85813138		1	CIRCLIP
8		85813137		1	WASHER
9		85802763		2	KNOB
10		85821316		1	BOOT
11		87407927		1	INSULATOR BLOCK
12		85827850		6	PLUG
13	1	85813100		1	ARM, TRIP

(1) Includes 1 To 4, 7, 8

Mechanical Version

ROPS PLUGS & FLOOR PLATE (CENTER PIVOT)



1.98.0

04

p1

02/05

BACKHOE, LOADER & ENGINE WARNING DECALS (POWER SHUTTLE)

REF	FN	PART NUMBER	YR/SN	QTY	DESCRIPTION
1		85805829		1	DECAL
2		85804088		1	DECAL ENGLISH
2		85804551		1	DECAL FRENCH
2		85804564		1	DECAL SPANISH
3		85804081		1	DECAL ENGLISH
3		85804546		1	DECAL FRENCH
3		85804559		1	DECAL SPANISH
4		85804091		1	DECAL ENGLISH
4		85804554		1	DECAL FRENCH
4		85804567		1	DECAL SPANISH
5		85804090		1	DECAL ENGLISH
5		85804553		1	DECAL FRENCH
5		85804566		1	DECAL SPANISH
6		85804084		1	DECAL ENGLISH
6		85804547		1	DECAL FRENCH
6		85804560		1	DECAL SPANISH
7		85804085		2	DECAL ENGLISH
7		85804548		2	DECAL FRENCH
7		85804561		2	DECAL SPANISH

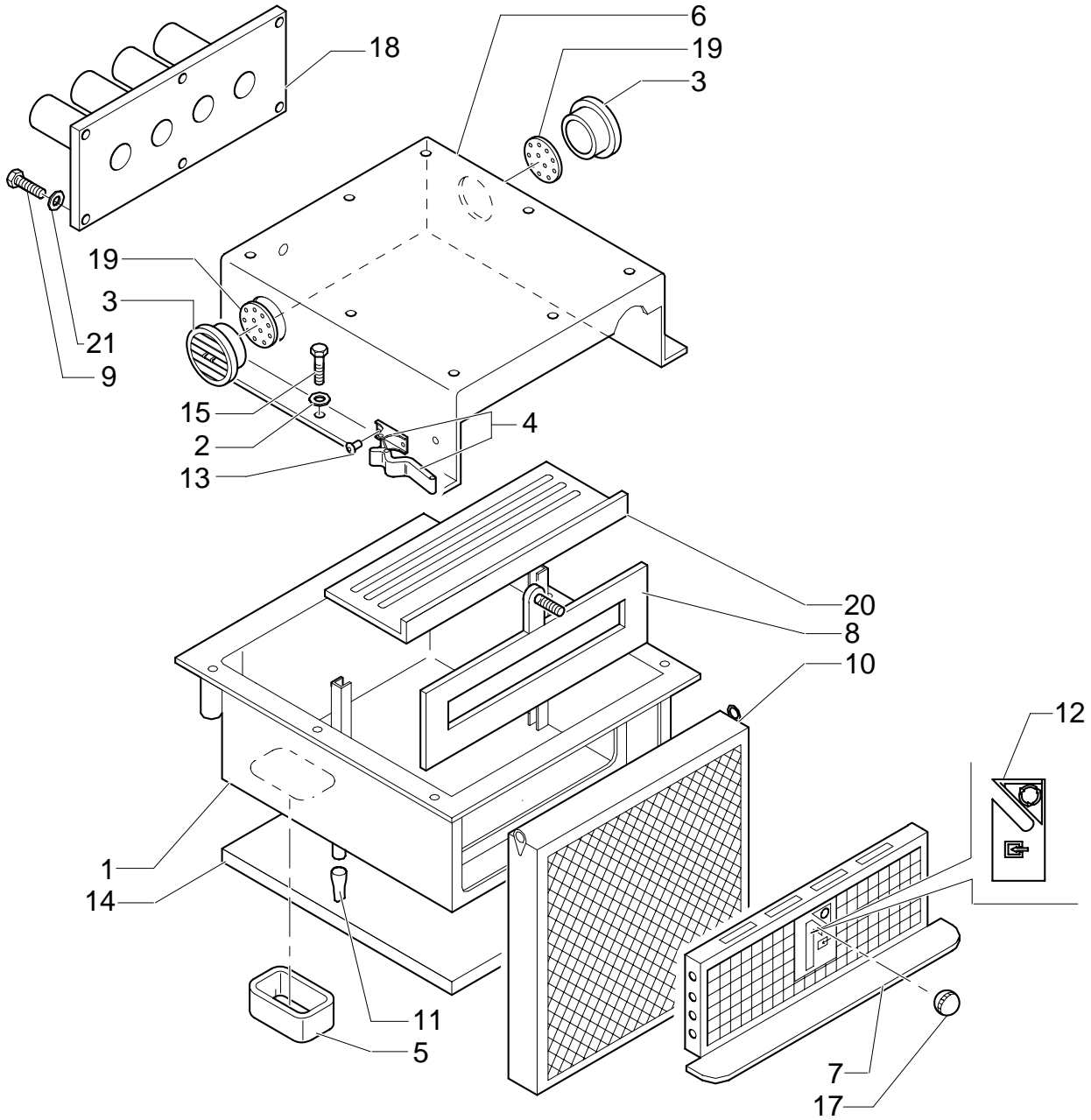
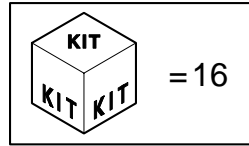
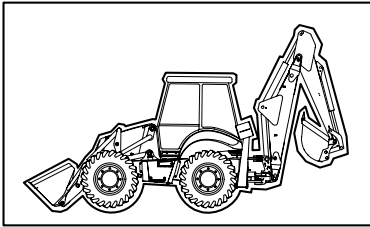
346

01

p1

11/05

A/C HOUSING & FILTERS



TRANSFORMATION SET FROM HEATING TO AIR CONDITIONING

REF	FN	PART NUMBER	YR/SN	QTY	DESCRIPTION
1		87314730		1	SHIELD
2		87314350		1	LID
4		87314351		1	DECAL
5		87314520		1	INSULATOR
6		87314518		1	INSULATOR
7		87314353		1	KNOB
8		87314357		1	CONVEYOR
9		87314362		2	BULKHEAD
10		87314369		1	EVAPORATOR
11		87314524		1	VALVE, HYDRAULIC
12		85804038		1	FLANGE
13		85805003		1	O-RING
14		85805004		2	SCREW
15		85805005		1	FLANGE
16		85805006		1	O-RING
17		85821131		1	FLANGE
18		85805008		1	FLANGE
19		14040611		1	NUT
23		85817295		1	NUT
24		87314526		1	THERMOSTAT
25		87314749		1	DASHBOARD
26		87314750		1	DECAL
27		87314751		1	DIODE
28		87314757		1	WASHER, SEALING

Mechanical Version, From To S/N XXX

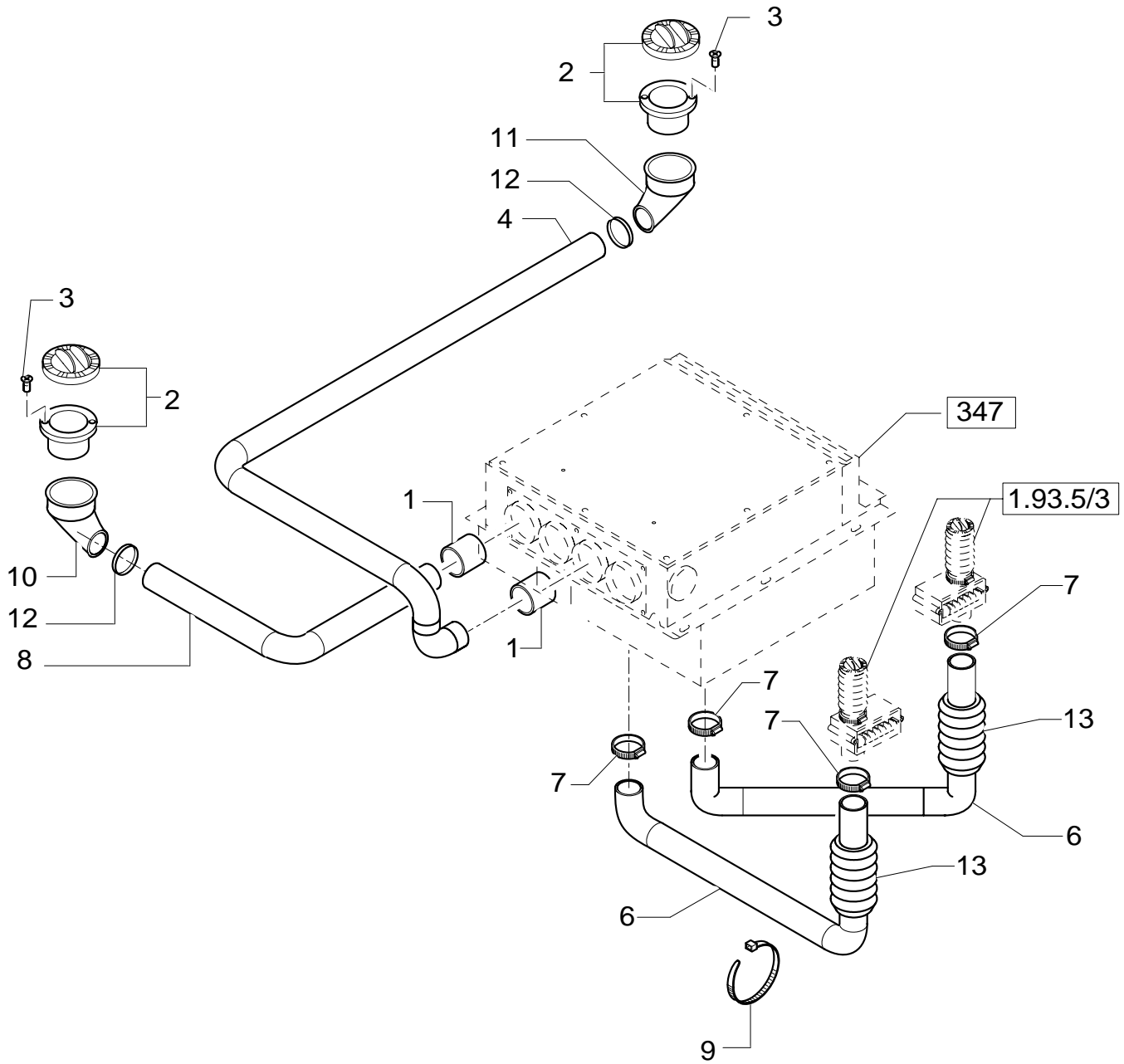
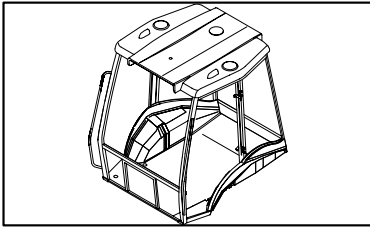
347

05

p1

11/05

A/C & HEATER CONSOLE DUCTS

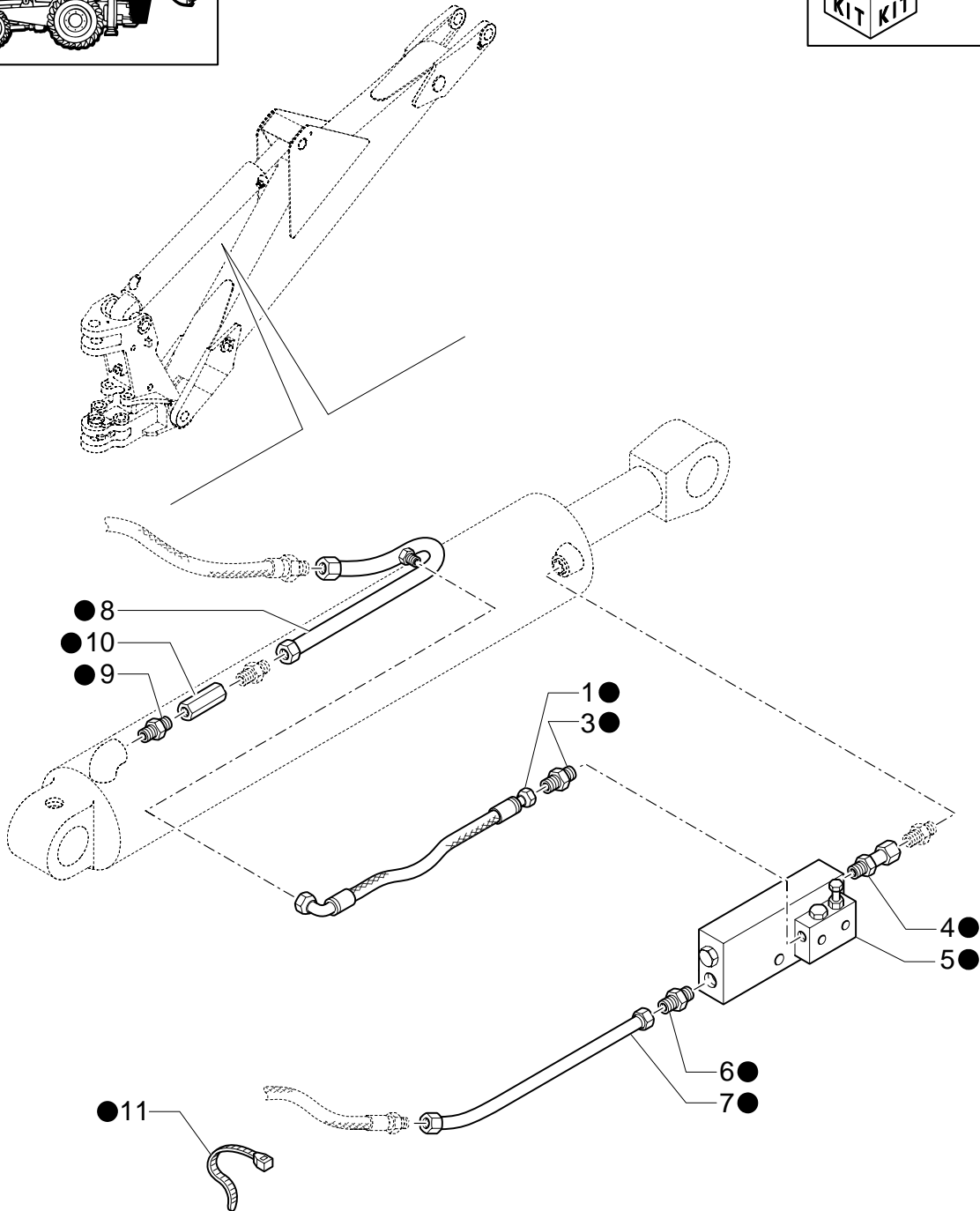
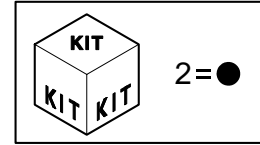
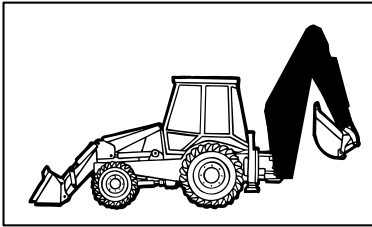


CASE 3 LEVER BACKHOE CONTROLS, UPPER SWING TIE-ROD ASSEMBLY

REF	FN	PART NUMBER	YR/SN	QTY	DESCRIPTION
1		85805033		1	TIE-ROD
2		85802738		1	PIN
3		11991971		1	YOKE LH
4		16102911		2	NUT LH
5		16102311		2	NUT RH
6		85804375		2	JOINT, UNIVERSAL RH
7		14048211		3	NUT
8		85805035		1	TIE-ROD
9		85804376		1	JOINT, UNIVERSAL LH
10		85805629		1	PIN LH W/CAB
10		85805039		1	PIN LH W/ROPS
11		85805038		1	PIN RH
12		13940370		2	PIN, ROLL
13		85803492		1	LEVER, IDLER
14		85805037		1	LEVER, IDLER

Mechanical Version

LOCKING VALVE ON BACKHOE LIFT CYLINDER



4 LEVER BACKHOE CONTROLS, LOWER TIE-ROD ASSEMBLY (CENTER PIVOT)

REF	FN	PART NUMBER	YR/SN	QTY	DESCRIPTION
1		85803360		1	SUPPORT
2		13940370		1	PIN, ROLL
3		85803364		1	PIN
4		16043621		4	SCREW M8X25
5		16104111		4	NUT
6		85807926		2	LEVER, IDLER
7		85802494		4	BUSHING
8		85804736		2	TIE-ROD
9		16102911		4	NUT
10		14048211		4	NUT
11		85804376		2	JOINT, UNIVERSAL
12		85804375		2	JOINT, UNIVERSAL
13		16102311		6	NUT
14		85802738		4	PIN
15		85803447		2	TIE-ROD
16		10007871		2	YOKE
17		11991971		2	YOKE

Mechanical Version

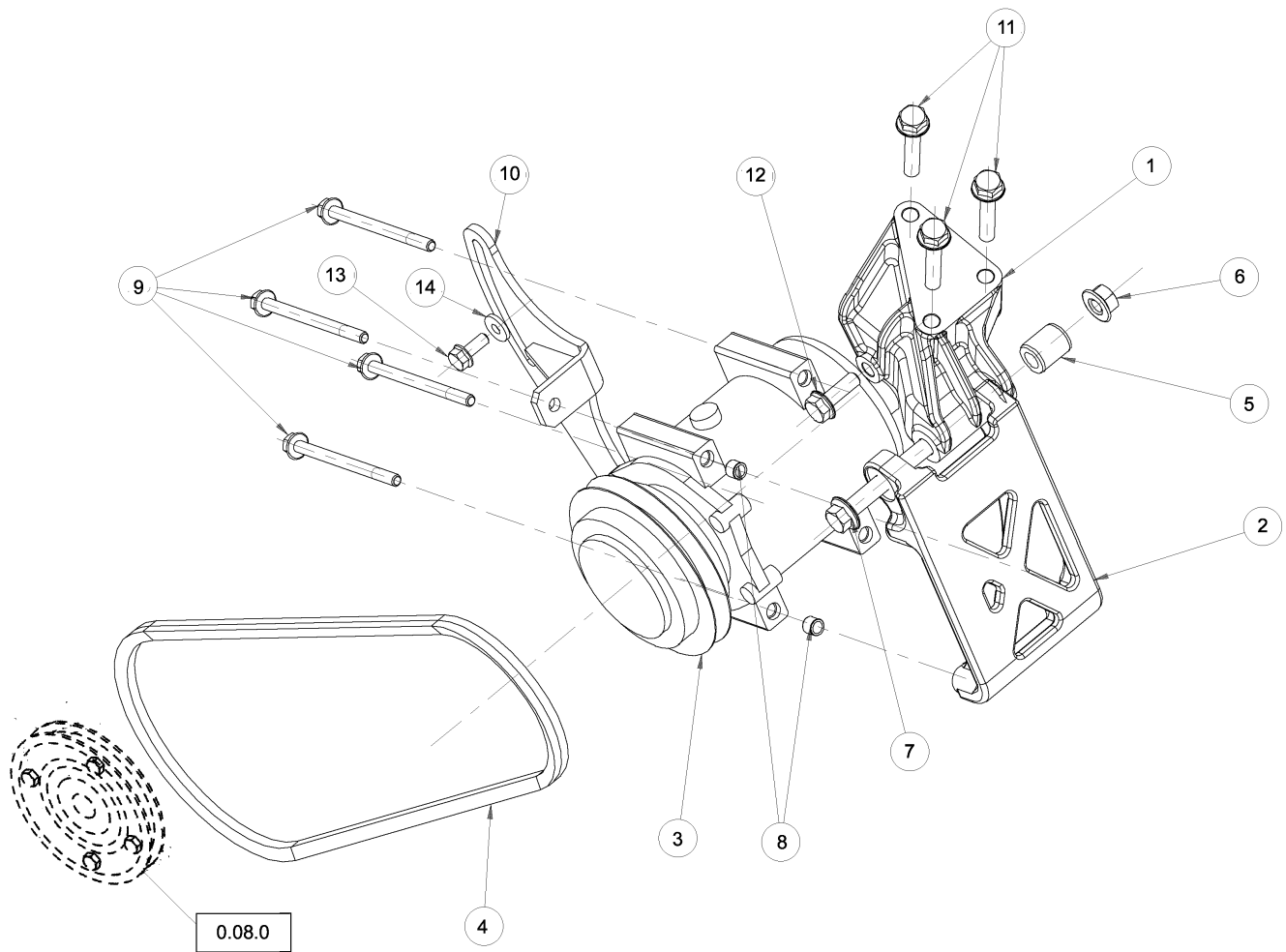
646A

01

p1

02/05

A/C COMPRESSOR ATTACHING GROUP



787/ 1

01

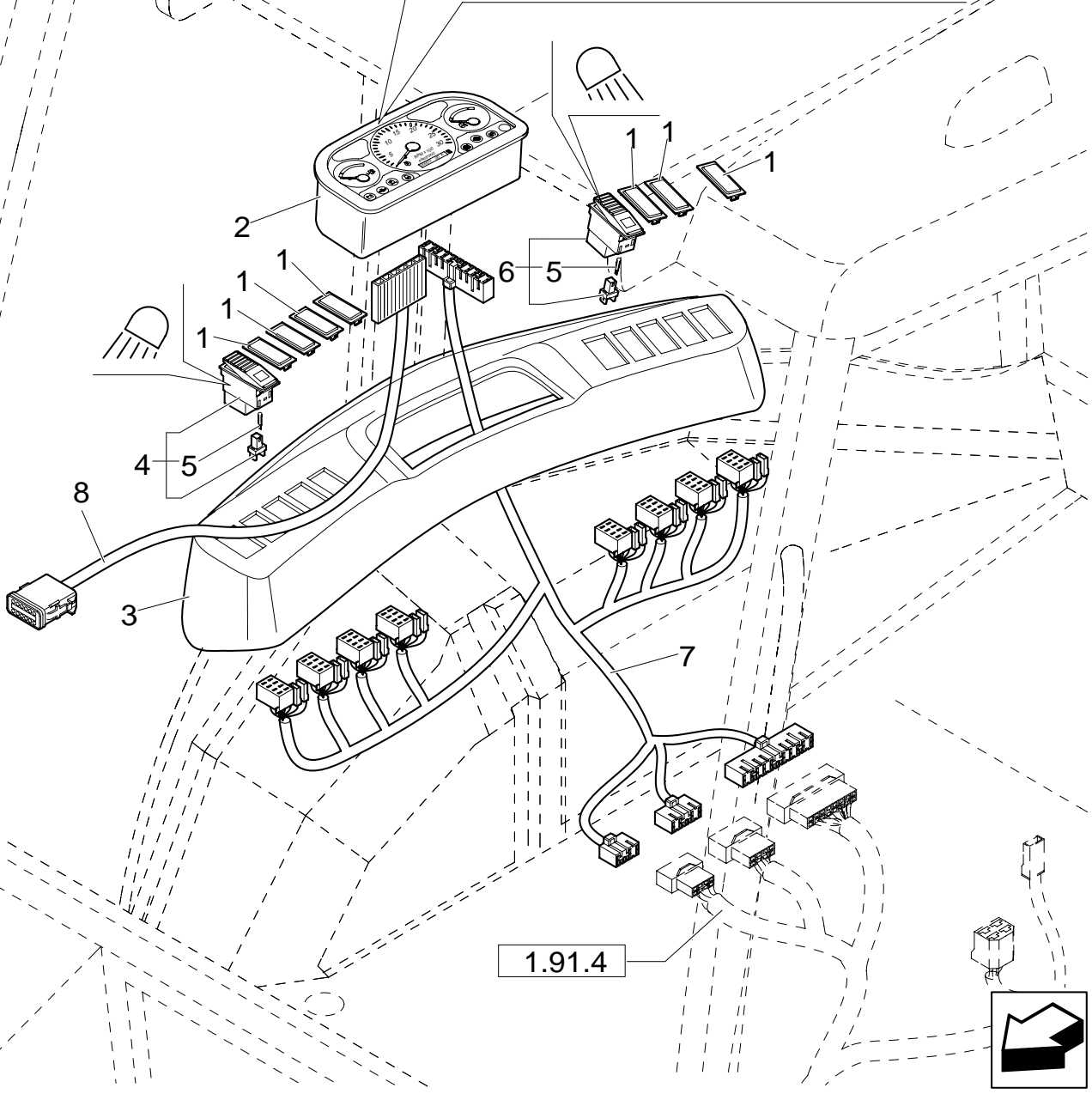
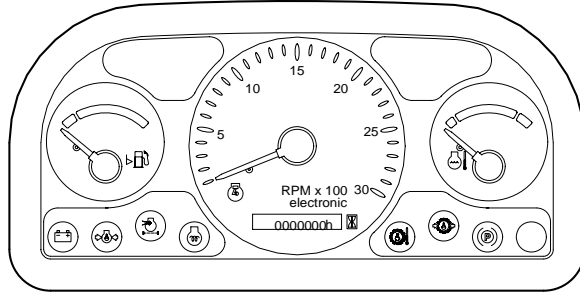
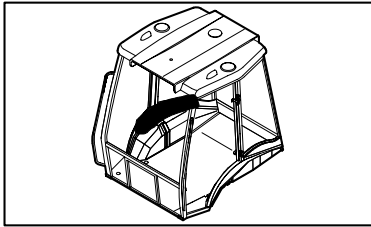
p1

02/05

FRONT CONSOLE WITHOUT SPEEDOMETER (CAB)

REF	FN	PART NUMBER	YR/SN	QTY	DESCRIPTION
1		85825254		4	PLUG
2		85817586		1	INSTRUMENT CLUSTER
3		85818826		1	DASHBOARD
4		85818827		1	SWITCH
5		14143790		4	BULB
6		85818828		1	SWITCH
7		85819134		1	SWITCH FWD

RH CONSOLE WITH INSTRUMENTS AND DIAGNOSTICS

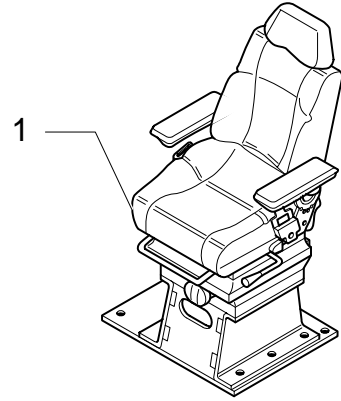
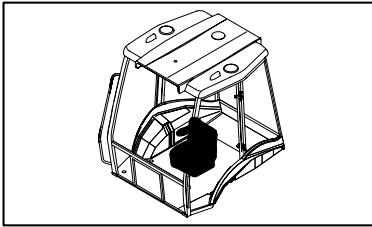


VINYL SEAT CUSHIONS, ARMRESTS & RELATED PARTS (ROPS)

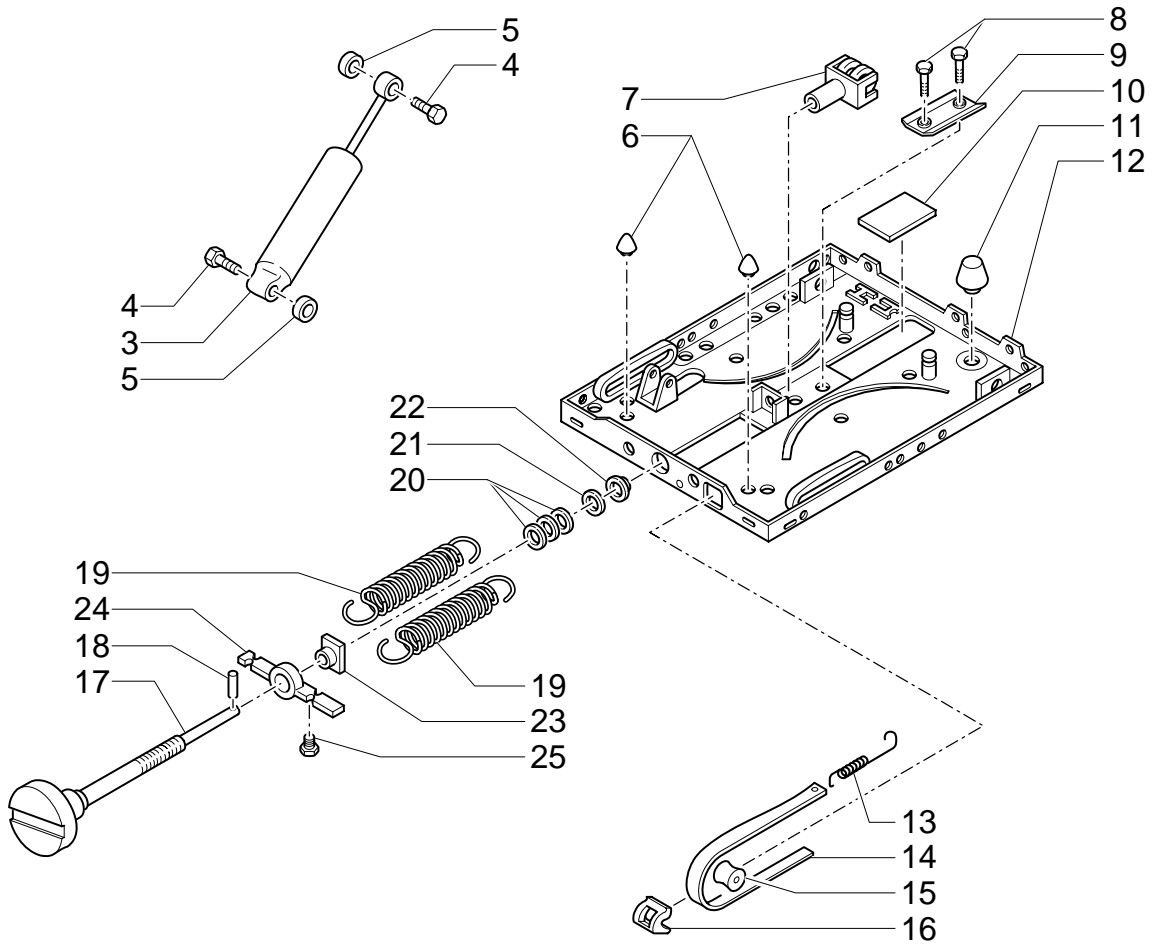
REF	FN	PART NUMBER	YR/SN	QTY	DESCRIPTION
1	1, 2, 3	85826262		1	SEAT, DRIVER
1	4, 5, 3	85827703		1	SEAT, DRIVER
2	1, 2, 3	85826263		1	SEAT, DRIVER
2	4, 5, 3	85827704		1	SEAT, DRIVER
3		16043424		8	SCREW Cap, HH, CL 8.8, M8x1.25x20
4		11198074		8	WASHER, SEALING

- (1) Mechanical Control Version
- (2) 2" Seat Belt
- (3) Consists Of Page 863/1-864/1 01 To 863/1-864/1 04
- (4) Pilot Control Version
- (5) 3" Seat Belt

VINYL SEAT LOWER SUSPENSION PARTS (ROPS)



2 SEE ALSO PAG. 03



WHEELS

REF	FN	PART NUMBER	YR/SN	QTY	DESCRIPTION
-----	----	-------------	-------	-----	-------------

From To S/N XXX

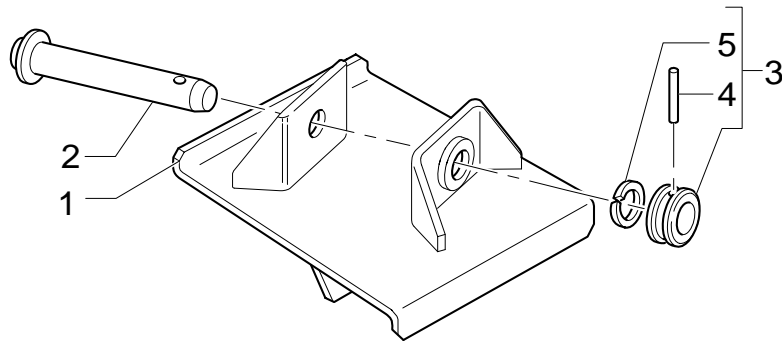
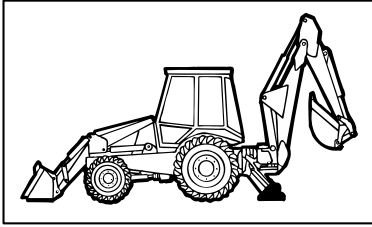
535

01

p1

02/05

STABILIZER FOOT GROUND (CENTER PIVOT)



CLICK HERE TO **DOWNLOAD** THE COMPLETE MANUAL

- Thank you very much for reading the preview of the manual.
- You can download the complete manual from: www.heydownloads.com by clicking the link below



- Please note: If there is no response to CLICKING the link, please download this PDF first and then click on it.

CLICK HERE TO **DOWNLOAD** THE COMPLETE MANUAL