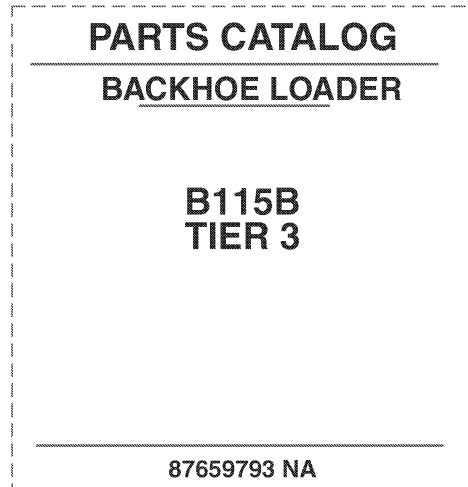


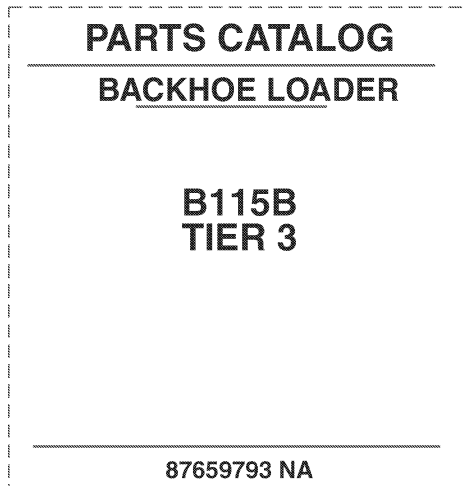
1. Trim along dashed line.
2. Slide into pocket on Binder Spine.

TYPE 1-4



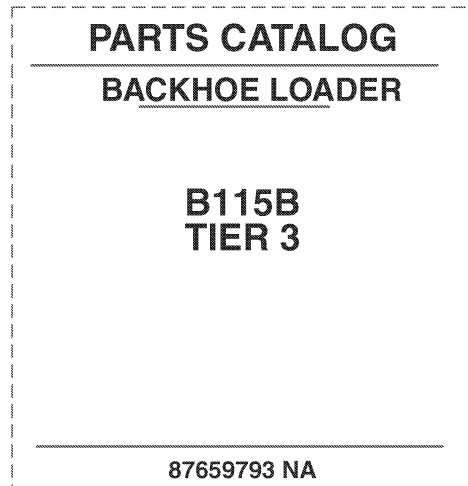
1. Trim along dashed line.
2. Slide into pocket on Binder Spine.

TYPE 1-4



1. Trim along dashed line.
2. Slide into pocket on Binder Spine.

TYPE 1-4



1. Trim along dashed line.
2. Slide into pocket on Binder Spine.

TYPE 1-4

CLICK HERE TO **DOWNLOAD** THE COMPLETE MANUAL

- Thank you very much for reading the preview of the manual.
- You can download the complete manual from: www.heydownloads.com by clicking the link below



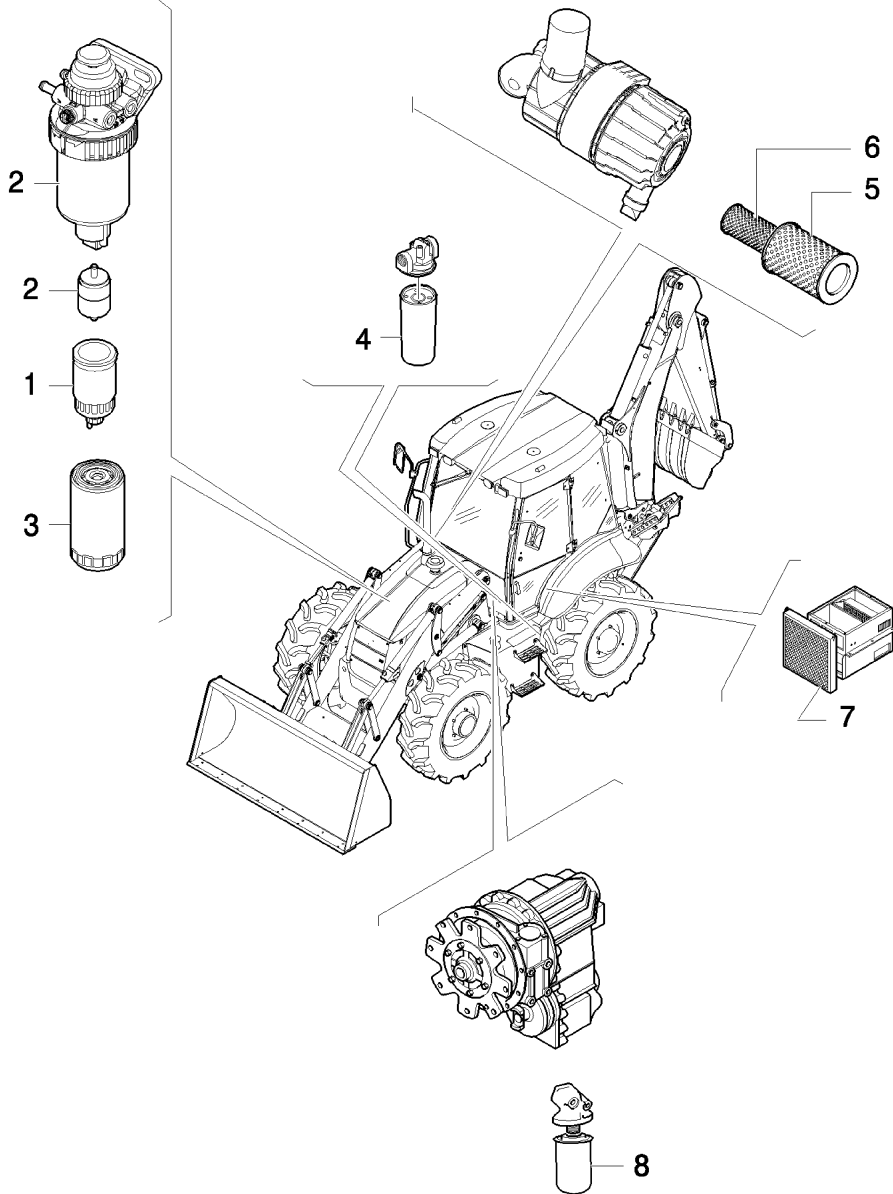
- Please note: If there is no response to CLICKING the link, please download this PDF first and then click on it.

CLICK HERE TO **DOWNLOAD** THE COMPLETE MANUAL

TABLE OF CONTENTS

469	02	6X1 BUCKET (1,15 M ³) WITH "COMMON GREY" BLADE: BUCKET BREAKDOWN
470	01	BUCKET 6X1 (1,15 M ³) WITH TINE "COMMON GREY"
470	02	6X1 BUCKET (1,15 M ³) WITH "COMMON GREY" TEETH: BUCKET BREAKDOWN
471/01		HYDRAULIC CYLINDER (BUCKET 4X1-6X1)
475	01	BUCKET 4X1 (1,15 M ³) WITH BLADE "COMMON GREY"
475	02	4X1 BUCKET (1,15 M ³) WITH "COMMON GREY" BLADE: BUCKET BREAKDOWN
476	01	BUCKET 4X1 (1,15 M ³) WITH TINE "COMMON GREY"
476	02	4X1 BUCKET (1,15 M ³) WITH "COMMON GREY" TEETH: BUCKET BREAKDOWN
500		(1,15 M ³) BUCKET WITHOUT TINES
501		(1,15 M ³) BUCKET W/TINES
502		(1,15 M ³) BUCKET WITH EXTRA REVERSIBLE BLADE
515		12" (305MM) BACKHOE BUCKET WITH BOLT-ON TEETH - EU
515/01		12" (305MM) BACKHOE BUCKET WITH PIN TEETH - NA
516		18" (457MM) BACKHOE BUCKET WITH BOLT-ON TEETH
516/01		18" (457MM) BACKHOE BUCKET WITH PIN TEETH - NA
517		24" (610MM) BACKHOE BUCKET WITH BOLT-ON TEETH - EU
517/01		24" (610MM) BACKHOE BUCKET WITH PIN TEETH - NA
518		30" (762MM) BACKHOE BUCKET WITH BOLT-ON TEETH - EU
518/01		30" (762MM) BACKHOE BUCKET WITH PIN TEETH - NA
519		36" (910MM) BACKHOE BUCKET WITH BOLT-ON TEETH - EU
519/01		36" (910MM) BACKHOE BUCKET WITH PIN TEETH - NA
520/01		18" (457MM) BACKHOE BUCKET WITH PIN TEETH (EXTRA HD) - NA
521		24" (610MM) BACKHOE BUCKET WITH PIN TEETH (EXTRA HD) - NA
529		STABILIZER FOOT STREET PAD (SIDE SHIFT) - EU
530		STABILIZER FOOT GROUND (SIDE SHIFT) - EU
533	01	(1.15 M ³) BUCKET WITH FORKS AND CUTTER BLADE
533	02	1,15 M ³ BUCKET WITH FORKS AND BLADE: BUCKET BREAKDOWN
534	01	(1,15 M ³) BUCKET WITH FORKS AND EXTRA REVERSIBLE BLADE
534	02	1,15 M ³ BUCKET WITH FORKS AND REVERSIBLE ADDITIONAL BLADE: FORKS BREAKDOWN
535		STABILIZER FOOT GROUND (CENTER PIVOT)
536/02		REVERSIBLE STABILIZER FOOT (CENTER PIVOT)
548		DITCH CLEANING BUCKET
622		INTERNAL FAN - CAB
636	07	ENGINE VERSION: STARTER MOTOR
636	08	ACCESSORY ENGINE - ALTERNATOR
638	01	RADIATOR GUARDS
638	02	COOLANT RADIATOR, HYDRAULIC FLUID AND TRANSMISSION OIL
638	03	AFTER-COOLER COOLING PIPING
638	04	PARKEERREM (CABINE: ROPS)
638	05	ENGINE VERSION: SUPPORTS
638	06	ENGINE OUTFIT: FAN WITH VISCOUS JOINT: EU
638	07	ACCESSORY ENGINE - STARTER
638	08	ACCESSORY ENGINE: ALTERNATOR
639	01	RADIATOR GUARDS
639	02	COOLANT RADIATOR, HYDRAULIC FLUID AND TRANSMISSION OIL
639	03	AFTER-COOLER COOLING PIPING
639	04	PARKEERREM (CABINE: ROPS)
639	05	ENGINE VERSION: SUPPORTS
639	06	ENGINE OUTFIT: FAN WITH VISCOUS JOINT
639	07	ENGINE VERSION: STARTER MOTOR

MAINTENANCE PARTS



SEC. 05

p1

03/08

REAR AXLE

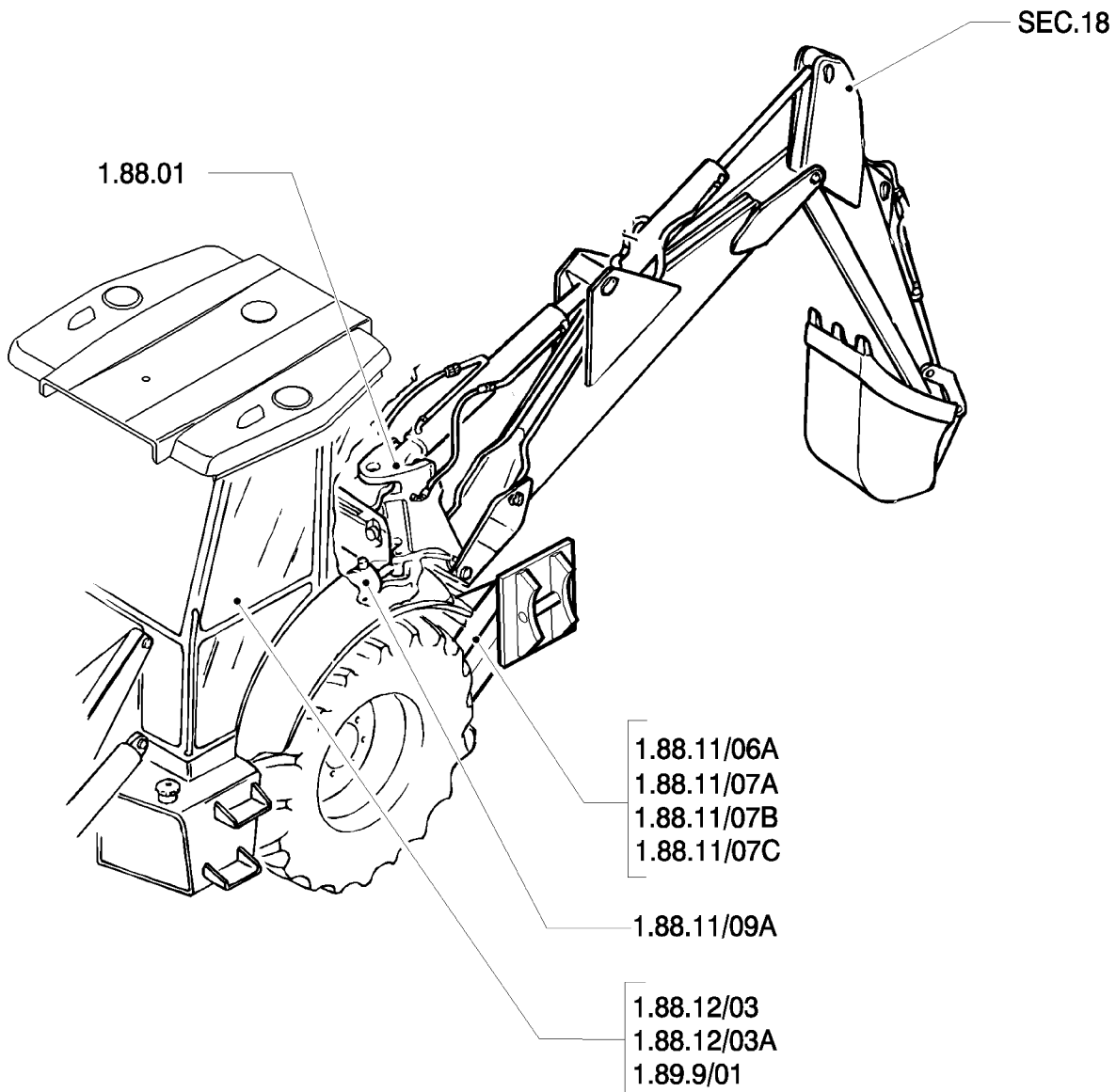
REF	FN	PART NUMBER	YR/SN	QTY	DESCRIPTION
-----	----	-------------	-------	-----	-------------

					B115B
--	--	--	--	--	-------

BACKHOE



CENTER PIVOT



SEC. 18

p1

03/08

VARIATION

REF	FN	PART NUMBER	YR/SN	QTY	DESCRIPTION
-----	----	-------------	-------	-----	-------------

					B115B
--	--	--	--	--	-------

0.0040/01

03

p1

03/08

OPTIONAL EQUIPMENT - NA

VARIANT CODE	DESCRIPTION	APPLICATION					
		B90B	B95B	B95BLR	B95BTC	B110B	B115B
803	Fenders, front	●	●	●	●	●	●
851	Cloth seat & attaching hardware - cabine	●	●	●	●	●	●
851/01	Cloth seat cushinos, armrests & related parts	●	●	●	●	●	●
853	Rear mudguards and roof (ROPS - CAB)	●	●	●	●	●	●
855	Air ride cloth seat & attaching hardware - cabine	●	●	●	●	●	●
855/01	Air ride cloth seat cushinos, armrests & related parts	●	●	●	●	●	●
856	Vinyl seat cushinos, armrests & related parts (ROPS)	●	●	●	●	●	●
856/01	Vinyl seat with armrests & mounting hardware (ROPS)	●	●	●	●	●	●
860	Fenders, front	●	●	●	●	●	●
879	Right back view mirror	●	●	●	●	●	●
888	Arm and guard decal	●	●	●	●	●	●
900	Boom - long dipper	●	●	●	●	●	●
901	Telescopic dipper long	●	●	●	●	●	●
902	Short telescopic dipper	●	●	●	●	●	●
987	Foward/Reverse & steering decals - POWER SHIFT	●	●	●	●	●	●
990	Tool kit	●	●	●	●	●	●
992	Cab warning & information decals (POWER SHUTTLE - POWER SHIFT)	●	●	●	●	●	●
993	Plates	●	●	●	●	●	●
995 - 995/01	Cold start	●	●	●	●	●	●
998	Foward/Reverse & steering decals - POWER SHIFT	●	●	●	●	●	●

0.04.3/01

01

p1

03/08

CRANKCASE COVERS

REF	FN	PART NUMBER	YR/SN	QTY	DESCRIPTION
1		4899026		2	DOWEL
2		4899078		4	SCREW, Hex Flg, M8 x 1.25 x 45
3		4899093		2	SCREW, Hex Flg, M10 x 1.5 x 30
3		4899073		1	SCREW, Hex Flg, M12 x 1.75 x 30
3		4896939		3	SCREW, M10x1.5x50
4		2855801		1	HOUSING

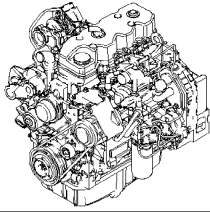
B115B

0.06.6/01

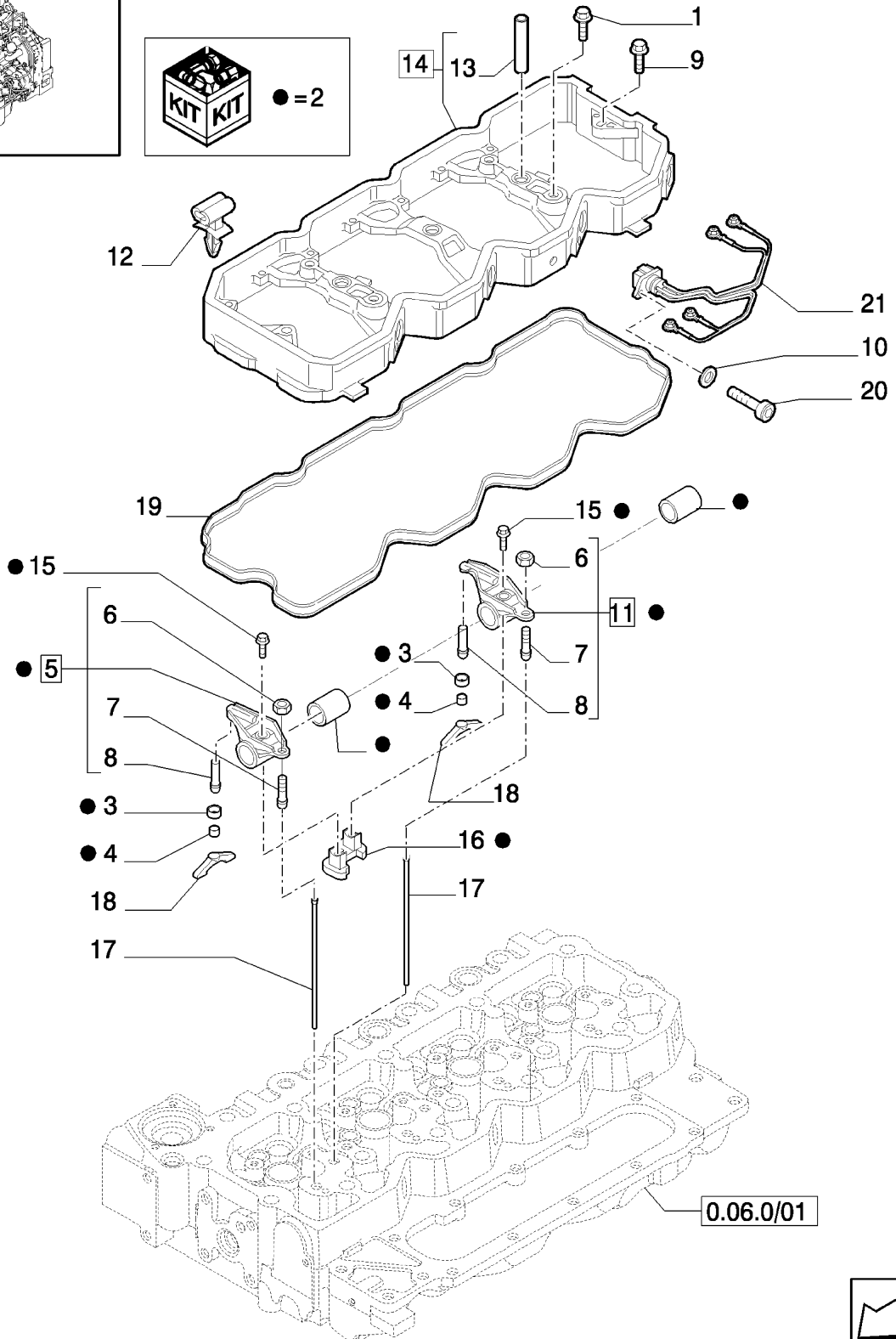
p1

03/08

ROCKER SHAFT



● = 2



0.08.2/01

p1

03/08

PISTON - ENGINE

REF	FN	PART NUMBER	YR/SN	QTY	DESCRIPTION
1		8094853		4	KIT, PISTON & RINGS, - ASSY (STD)
1		8094854		4	KIT, PISTON & RINGS, - ASSY (+0.4)
2		4892712		1	PIN, PISTON
3		2854030		2	RING, SNAP
4		87582179		1	KIT, PISTON RINGS, (STD)
4		87582180		1	KIT, PISTON RINGS, (+0.4)

B115B

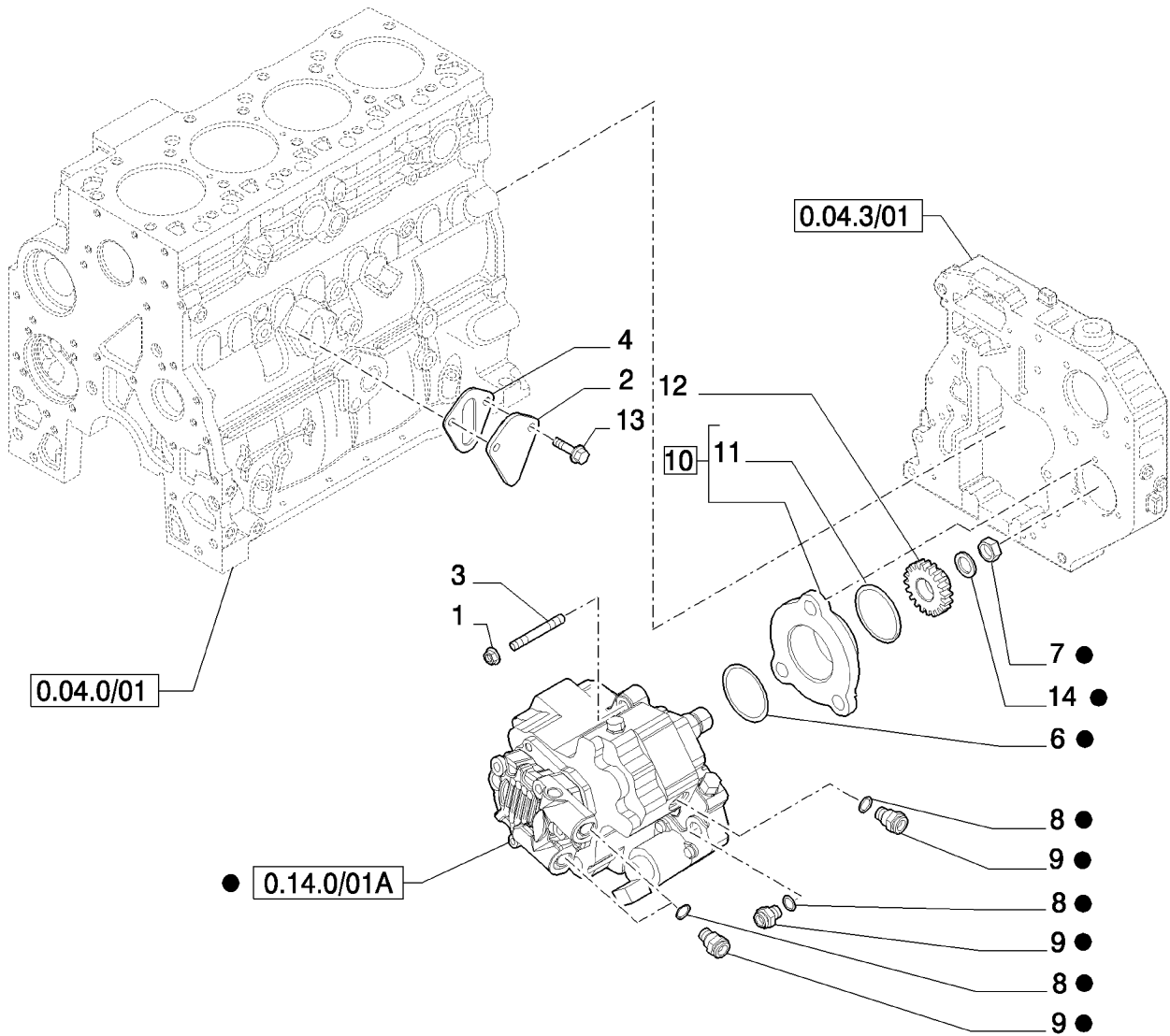
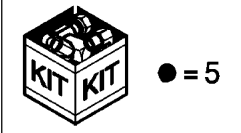
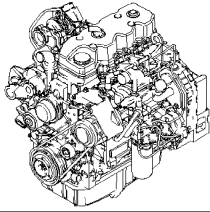
0.14.0/01

01

p1

03/08

INJECTION PUMP



MOTOR ELECTRIC INSTALLATION

REF	FN	PART NUMBER	YR/SN	QTY	DESCRIPTION
1		2855886		1	HARNESS, WIRE
2		4899815		2	COLLAR, RETAINER
2		2852500		1	CLAMP
3		2852484		3	NUT

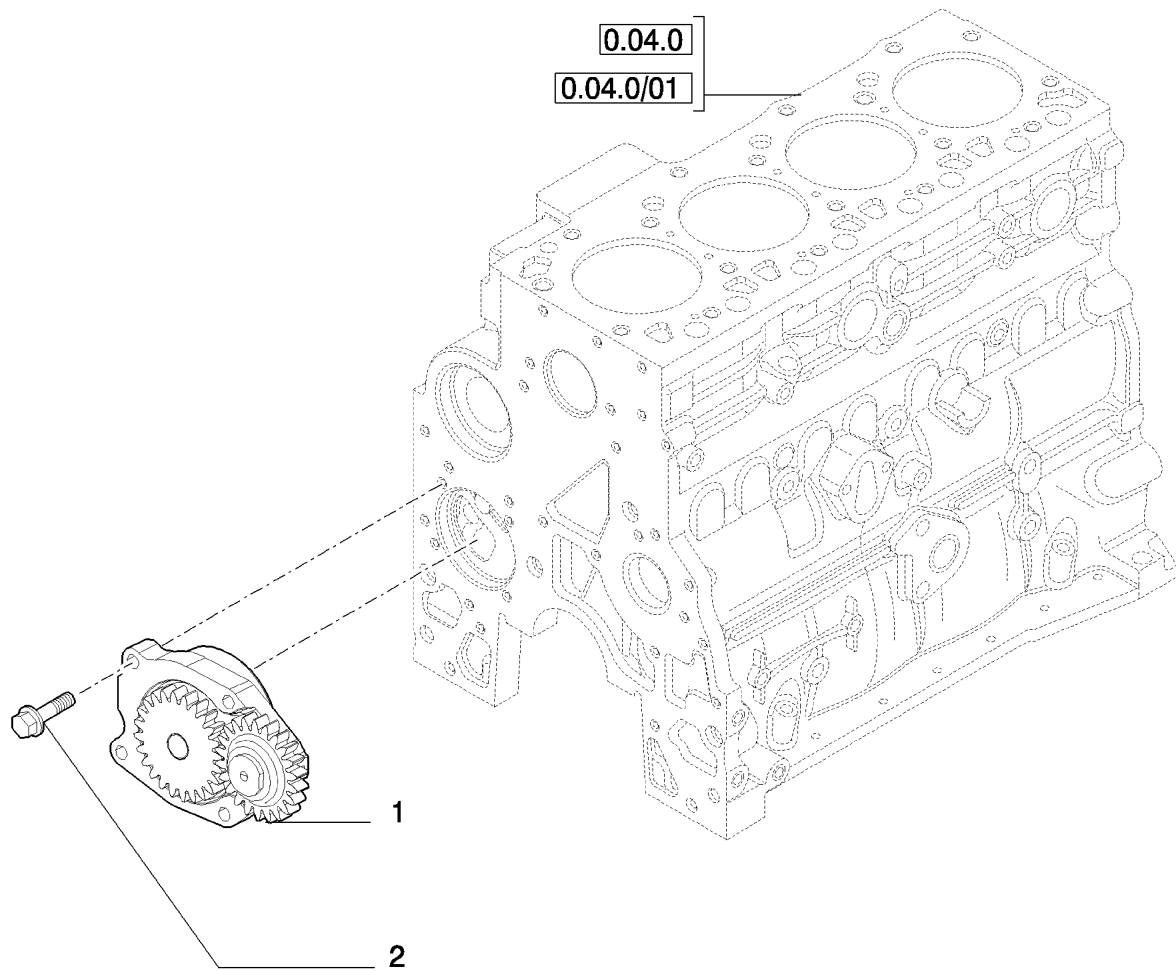
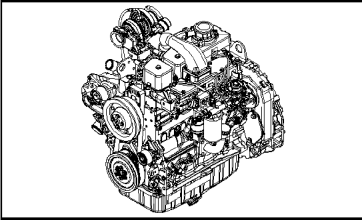
B115B

0.30.0

p1

03/08

OIL PUMP - ENGINE



0.32.3/01

p1

03/08

COOLING SYSTEM - ENGINE

REF	FN	PART NUMBER	YR/SN	QTY	DESCRIPTION
1		4899109		3	SCREW, Hex, M10 x 1.5 x 80
2		2854072		1	O-RING
3		2855776		1	SUPPORT, - ASSY
4		2852181		2	SPACER
5		2852511		1	PLUG
6		4895623		1	PLUG
7		4895625		1	O-RING
8		4893036		1	PLUG
9		4895392		1	PLUG, - ASSY
10		4895393		1	O-RING
11		4895080		1	PLUG, - ASSY
12		4895082		1	O-RING
13		4893036		1	PLUG
14		4895078		2	PLUG
15		2854491		1	PLUG

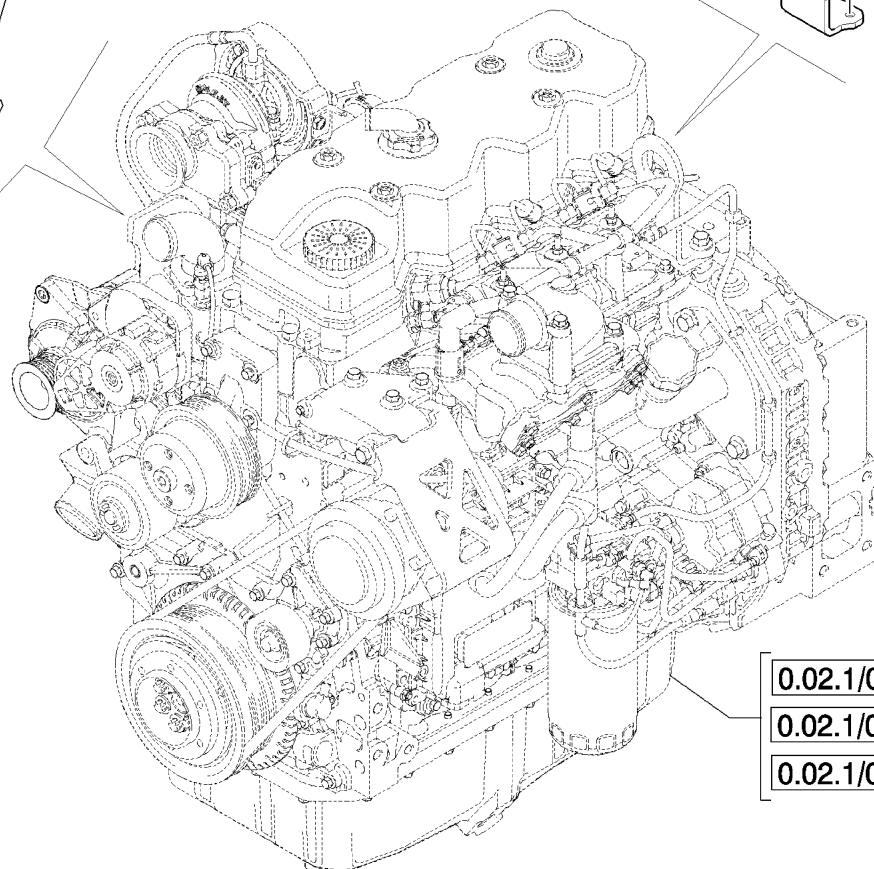
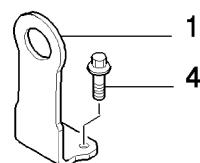
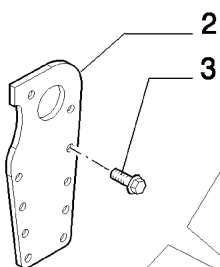
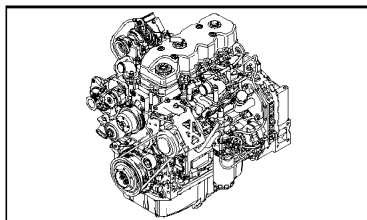
B115B

0.45.0/01

p1

03/08

HOOKS - ENGINE



0.02.1/01

0.02.1/02

0.02.1/03



MUFFLER & EXTENSIONS

REF	FN	PART NUMBER	YR/SN	QTY	DESCRIPTION
1	1	87618524		1	MUFFLER
1	2	87474192		1	MUFFLER
2		87639182		1	BRACKET
3		87658926		1	SUPPORT
4		14496621		2	WASHER, M10 x 21 x 2
5		11198379		4	WASHER, SPRING, Belleville, M10.5
6		16040834		2	SCREW
7		47048898		1	CLAMP
8		87473026		1	HOOK
9		87473250		1	SUPPORT
10		11198479		4	WASHER
11		12638621		6	WASHER
12		11106634		6	BOLT, Hex, M10 x 35, 10.9, Full Thd
13		12577221		6	NUT, LOCK, M10 x 1.5, CI 10
14		16100821		2	NUT, M8, CI 10
15		15213334		2	SCREW
16		12646721		3	WASHER, M8 x 20 x 2
17		87030508		2	BOLT, Hex Flg, M12 x 30, 10.9, Full Thd
18		14499421		2	WASHER

(1) Only for B95B, B95BLR, B95BTC, B110B, B115B

(2) Only for B100B, B100BLR

B115B

NOTES

HYDRAULIC PUMP SHAFT ASSY (4WD POWER-SHIFT)

REF	FN	PART NUMBER	YR/SN	QTY	DESCRIPTION
1		9969070		2	RING
2		87603837		2	BEARING
3		9969023		2	RING, SNAP
4		9969059		2	RING, SNAP
5		85808356		1	GEAR
6		87603831		1	SHAFT
7		85808357		1	GEAR
8		85808333		1	ROD
9		9969021		1	RING, PISTON
10		9969022		1	BEARING, ROLLER, TAPERED
11		9969024		1	RING, SNAP
12		9970015		1	GASKET
13		9969027		1	COVER
14		9970016		4	WASHER, LOCK
15		85808355		1	RING, SNAP

PUMP DRIVE AND INPUT SHAFT GROUP

B115B

GEARSHIFT CONTROL VALVE ASSY (4WD POWER-SHIFT)

REF	FN	PART NUMBER	YR/SN	QTY	DESCRIPTION
1		87571341		1	VALVE, CONTROL
2		9970071		17	SCREW
3		85808368		1	GASKET
4		85808369		1	COVER, Assy
5		9970074		20	SCREW
6		9970075		1	BREATHER

CONTROL VALVE MOUNTING GROUP

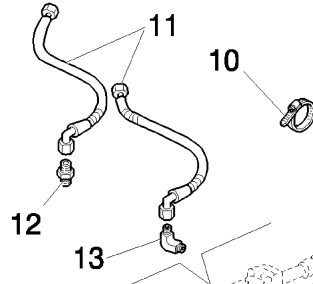
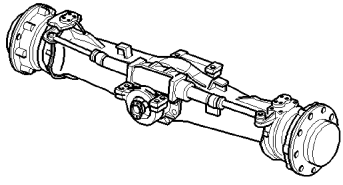
B115B

1.42.0

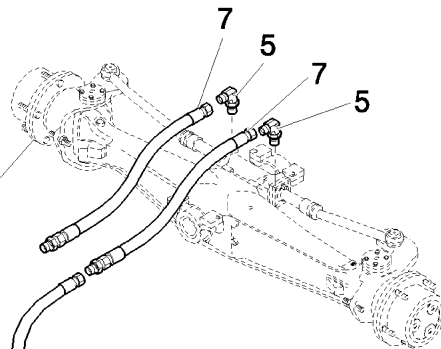
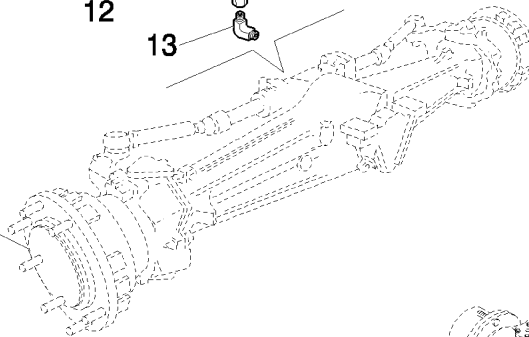
p1

04/08

POWER STEERING HYDRAULIC SYSTEM

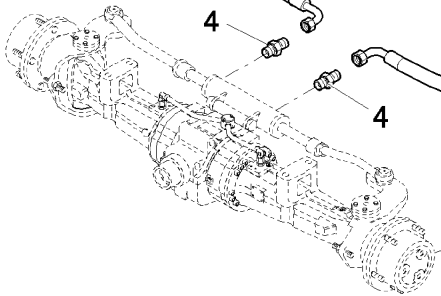
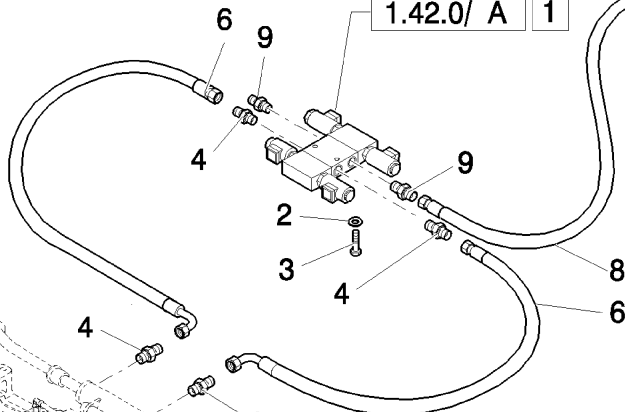


- 1.40.0
- 1.40.0/01
- 402
- 415



400

1.42.0/ A 1



- 1.44.0
- 401



1.75.2/01

04

p1

03/08

ENGINE HARNESS (POWER SHIFT) - NA

REF	FN	PART NUMBER	YR/SN	QTY	DESCRIPTION
1		87565008		1	HARNESS
2		87565124		1	NUT
3		87407206		1	Strap, Ground
4		11701711		1	NUT, M10, Cl 8
5		14048211		1	NUT, LOCK, M8 x 1.25, Cl 8
6		12638511		2	WASHER, M8 x 15 x 1.5, 8x15
7		87562089		1	COVER
8		16043824		1	BOLT, Hex, M8 x 30, 8.8, Full Thd
9		87415208		1	SPACER
10		16044221		2	BOLT, Hex, M8 x 50, 8.8
11		47049186		1	BOLT, Hex, M10 x 30, 8.8
12		87567355		4	CLAMP
13		87567356		4	CLAMP

B115B

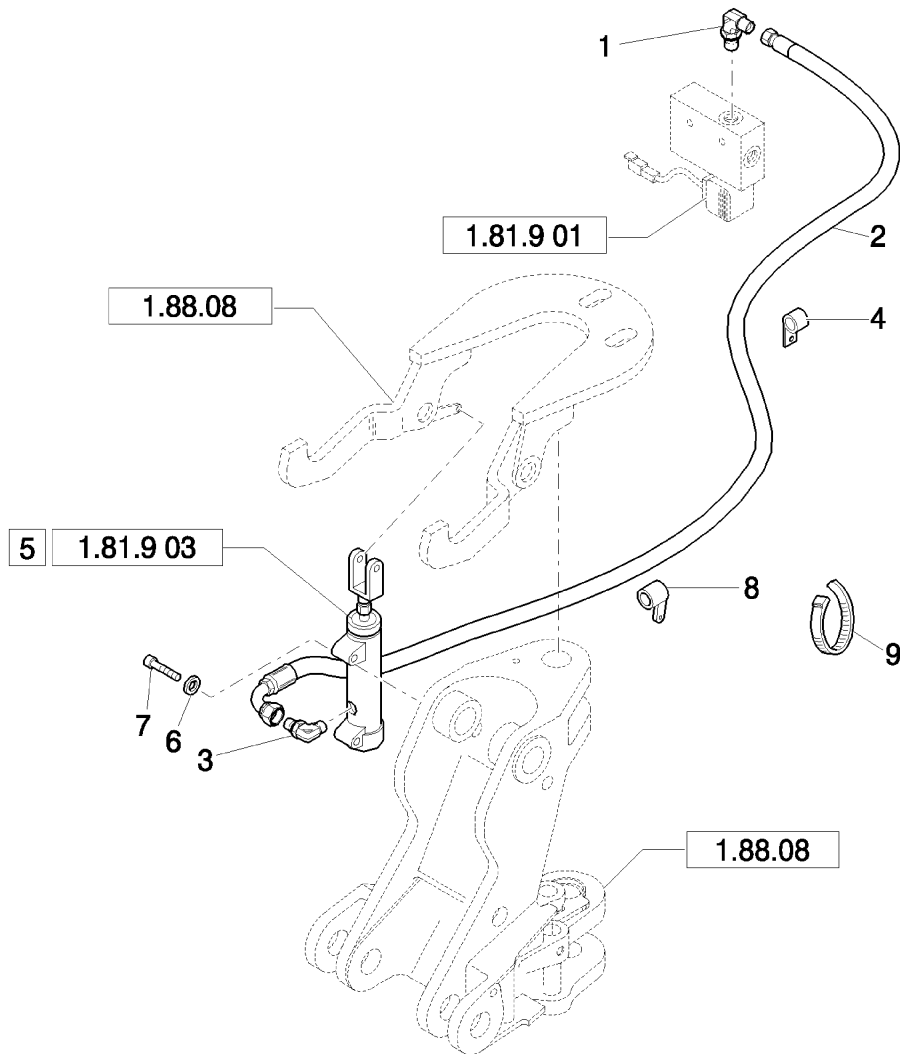
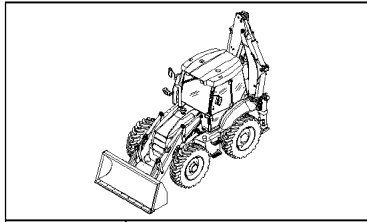
1.81.7

02

p1

04/08

TRANSPORT LOCK HOOK, CYLINDER & HOSE (SIDE SHIFT,CENTER PIVOT, POWER SHIFT)



1.82.6

01

p1

04/08

HYDRAULIC SYSTEM PIPES: PUMP OIL DELIVERY

REF	FN	PART NUMBER	YR/SN	QTY	DESCRIPTION
1		87676333		4	CLAMP
2		85811870		1	HOSE
3		14422021		3	SCREW, Hex Soc Hd, M12 x 30, 8.8
4		85827041		1	TUBE
5		14464680		1	O-RING, -228, 70 Duro, 2.234" ID x .139" Thk
6		83962538		2	CONNECTOR, HYD., Assy
7		80167266		2	O-RING
8		89991976		2	O-RING
9		87614753		1	HOSE, FLEXIBLE

Mechanical Version / Pilot Version

B115B

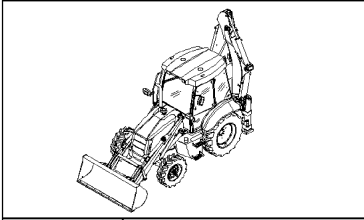
1.82.6

08

p1

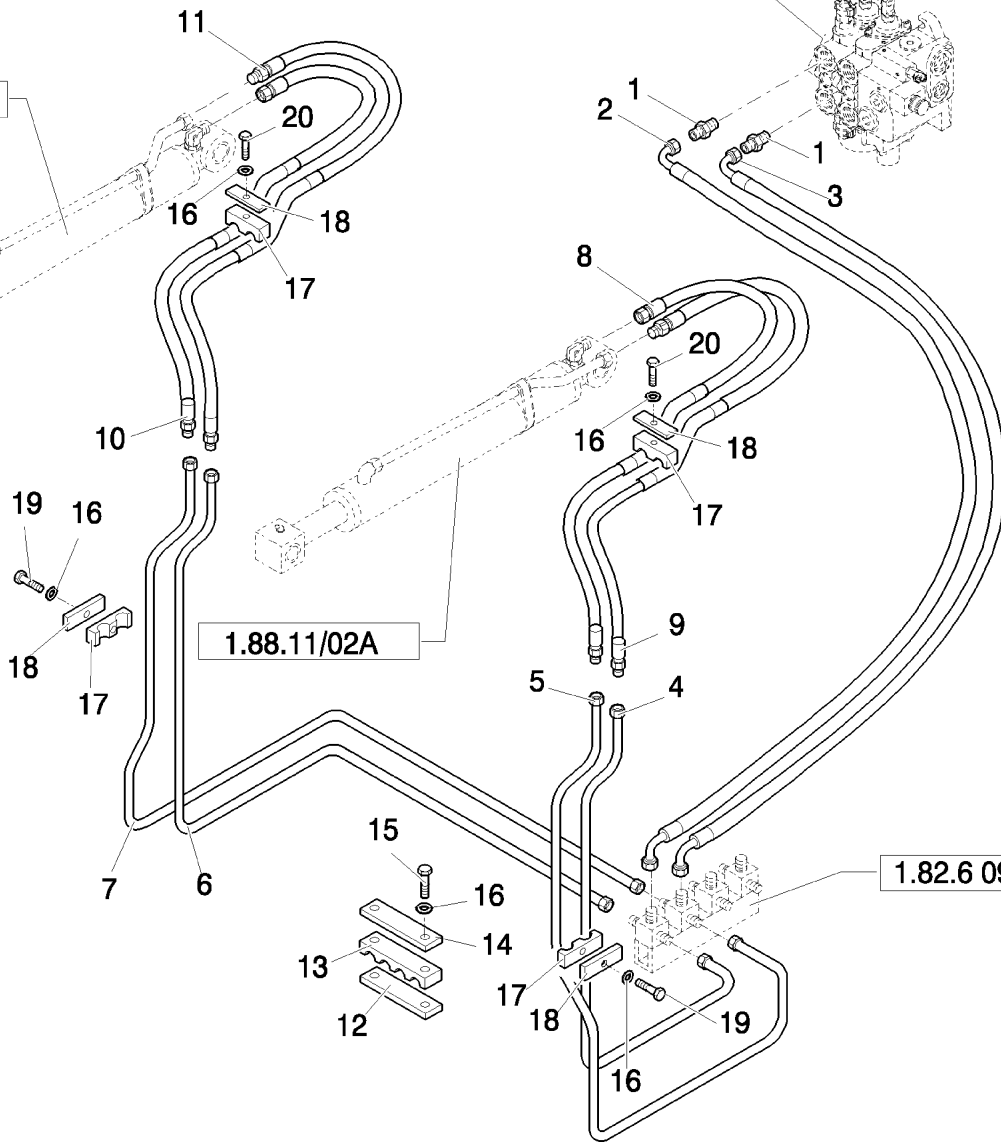
03/08

HYDRAULIC SYSTEM PIPES: BUCKET CYLINDER



1.88.11/02A

302



1.82.6 09



HYDRAULIC SYSTEM PIPES: BACKHOE ATTACHMENT BOOM CYLINDER

REF	FN	PART NUMBER	YR/SN	QTY	DESCRIPTION
1		83962538		1	CONNECTOR, HYD., Assy
2		80167266		1	O-RING
3		89991976		1	O-RING
4		83962539		1	CONNECTOR, HYD., 1-1/16-12 ORB x 1-14 ORFS; Incl. 167266, 9992069 O-Rings
5	1	85819058		1	TUBE, HYD
5	2	87621907		1	HOSE, FLEXIBLE
6	1	85819059		1	TUBE, HYD
6	3	87619484		1	HOSE, FLEXIBLE
7	1	85817230		2	CLAMP
8	1	85817231		2	CLAMP
9	1	85817474		2	STRAP, CABLE
10	1	15213621		4	SCREW, Hex, M8 x 55, 8.8, Full Thd
11	1	11193879		4	WASHER, SPRING, Belleville, M8.4
12	1	14048211		4	NUT, LOCK, M8 x 1.25, CI 8

- (1) Only for Side Shift
(2) Only for Center Pivot
(3) Only for Pilot Version

Mechanical Version / Pilot Version

B115B

1.83.0

06

p1

03/08

TIPPING GUARD ASSY COMPONENTS

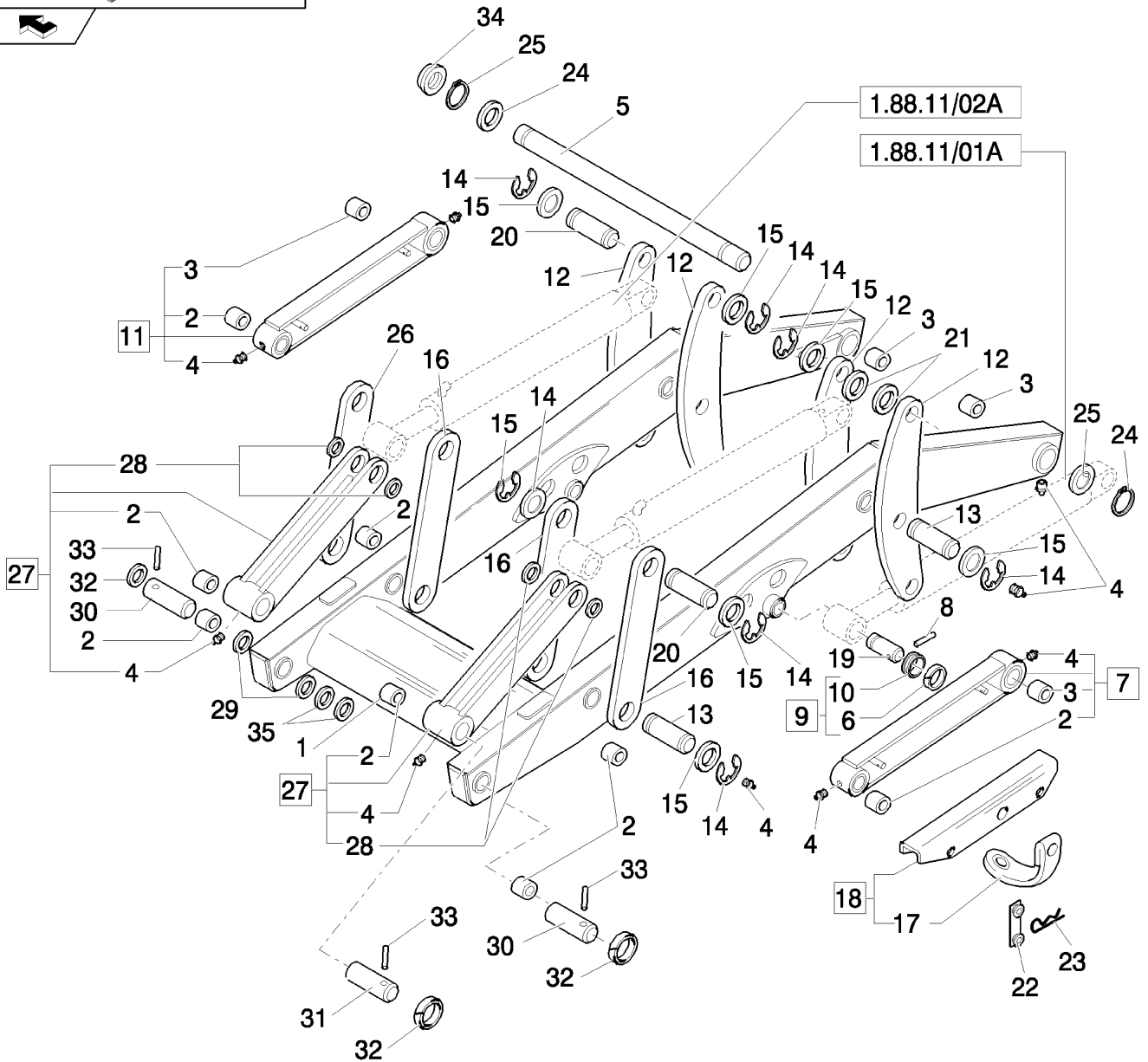
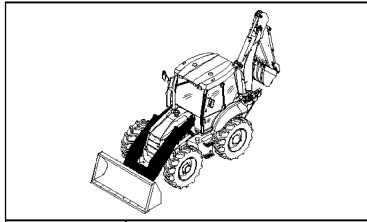
REF	FN	PART NUMBER	YR/SN	QTY	DESCRIPTION
1		87376297		1	Hood, Engine
2	1	87643911		1	PANEL, ENGINE HOOD
2	2	87653086		1	PANEL, ENGINE HOOD
3	1	87643912		1	PANEL, ENGINE HOOD
3	2	87653220		1	PANEL, ENGINE HOOD
4	1	87643913		1	PANEL, ENGINE HOOD
4	2	87669736		1	PANEL, ENGINE HOOD

(1) Only for EU

(2) Only for NA

B115B

ARMS AND JOINTS



PIPES FOR STABILIZER CYLINDERS (CENTER PIVOT)

REF	FN	PART NUMBER	YR/SN	QTY	DESCRIPTION
1		83963374		2	CONNECTOR, HYD., Assy
2		87390511		4	CLAMP
3		85802620		2	TUBE, HYD
4		83985067		8	CONNECTOR, HYD., Includes O-Rings 9617873 & 9992298
5	1	85802820		2	VALVE, CHECK, Assy
6		85807877		4	HOSE, FLEXIBLE, L=1232 mm
7		85802965		2	CONNECTOR, HYD.
8		85803008		2	CLAMP, HOSE
9		87303912		2	BLOCK
10		87390514		2	PLATE
11		15213621		2	SCREW, Hex, M8 x 55, 8.8, Full Thd
12		14048211		2	NUT, LOCK, M8 x 1.25, CI 8
13		11193879		6	WASHER, SPRING, Belleville, M8.4
14		87390534		2	PLATE
15	2	85807878		2	HOSE, FLEXIBLE, L=1416 mm, RH
16		89992298		2	O-RING
17	2	85807879		2	HOSE, FLEXIBLE, L=1829 mm, LH
18		80128825		2	O-RING
19		16044821		2	BOLT, Hex, M8 x 80, 8.8, RH
20		85803517		2	BUSHING, RUBBER
21		85802891		2	SPACER, RH
22		85821126		1	KIT
23		85820160		2	VALVE, HYDRAULIC
24		85820159		6	PLUNGER
25		16044421		2	BOLT, Hex, M8 x 60, 8.8, LH

(1) Includes 22 - 24

(2) Includes 16

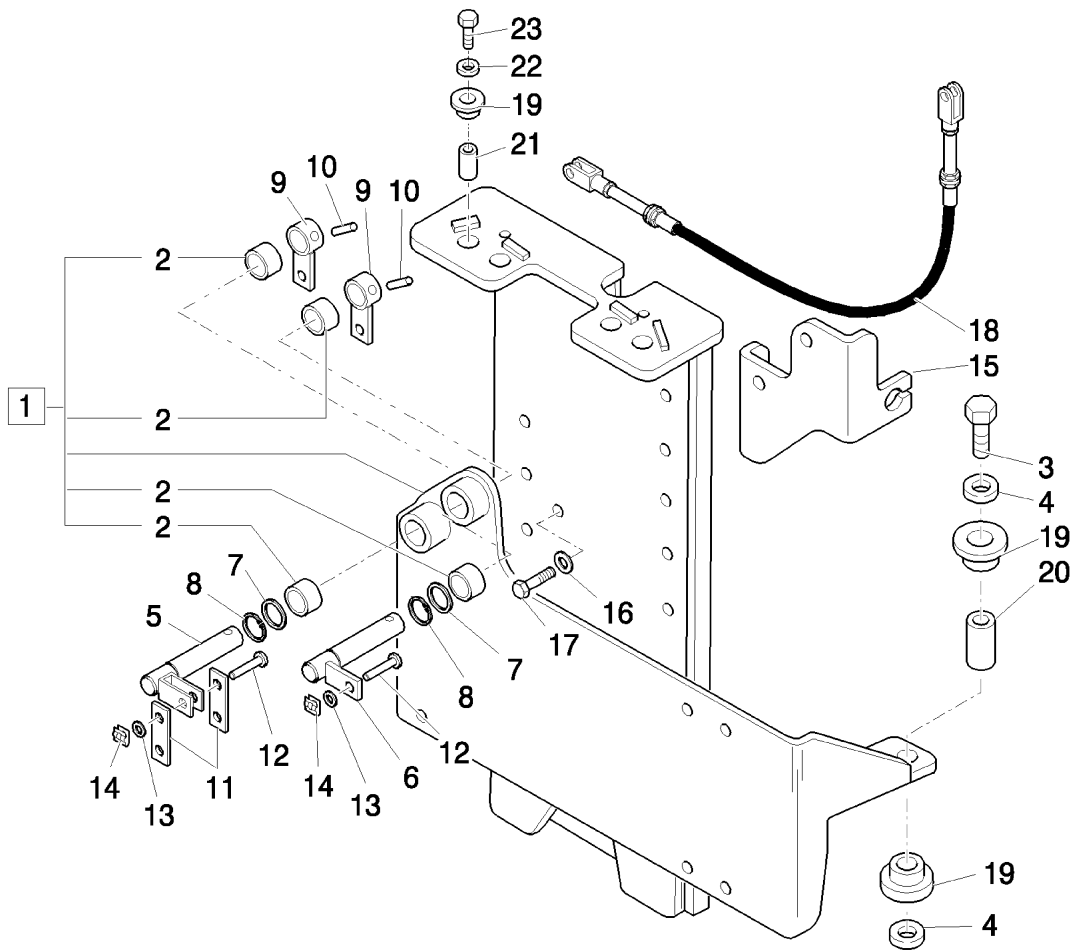
B115B

1.89.9

p1

04/08

DISTRIBUTOR VALVE SUPPORT (SIDE SHIFT REXROTH) - EU



1.91.4/03

01

p1

03/08

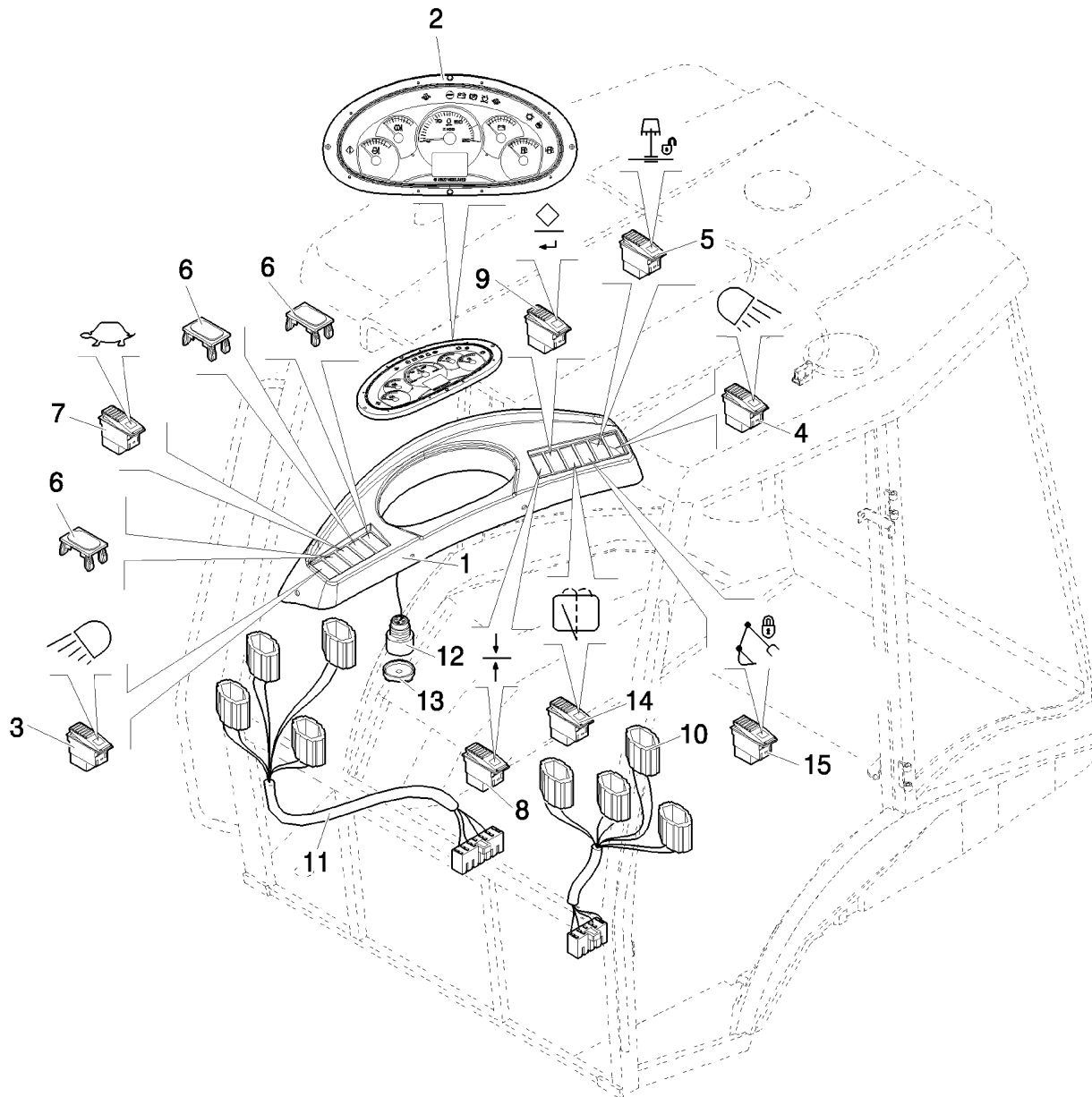
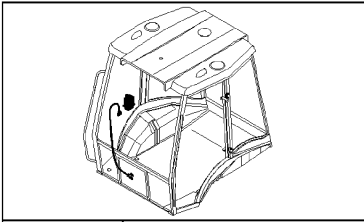
CAB ROOF HARNESS (4 WS)

REF	FN	PART NUMBER	YR/SN	QTY	DESCRIPTION
1		87546419		2	SOCKET, Mating Part is 86508819 Plug
2		85825330		1	HARNESS, WIRE
3		85819568		1	HARNESS, WIRE, Rotary Beacon

Mechanical Version / Pilot Control Version

B 115B

RH CONSOLE WITH INSTRUMENTS (4 WS)



LAMPS & LIGHTS - CAB - EU

REF	FN	PART NUMBER	YR/SN	QTY	DESCRIPTION
1		85819695		1	LIGHT, Assy
2		85819200		4	HEADLAMP, Includes H3 12V 55W Bulb, Order 9703399 For Bulb
3		85819190		1	BRACKET, RH
4		16044324		4	BOLT, Hex, M8 x 55, 8.8
5		16104111		4	NUT, LOCK, M8 x 1.25, CI 8
6		10902124		8	BOLT, Hex, M6 x 14, 8.8, Full Thd
7		11197774		8	WASHER, SPRING, Belleville, M6.4
8		14148190		2	BULB
9		85819191		1	BRACKET, LH
10		14152090		2	BULB
11		85819194		2	BRACKET
12		85821384		1	HEADLAMP, RH, Assy
13		9969431		1	LENS, RH
14		85821385		1	HEADLAMP, LH, Assy
15		9969430		1	LENS, LH
16		85819828		2	SUPPORT
17		5132136		4	COVER, CAP
18		83994150		8	PLUG
19		5118658		8	PLUG
20		87358963		1	COLLAR, RETAINER
21		10519611		1	WASHER, Ø 8
22		14048211		2	NUT, LOCK, M8 x 1.25, CI 8
23		16043421		1	SCREW, Hex, M8 x 20, 8.8
24		10569274		8	WASHER, LOCK, Ø 6
25		14305324		8	SCREW, Hex Soc Hd, M6 x 20, 8.8
26		5112712		2	CLIP, HOSE, M4.8 x 283
27		85819699		2	LAMP, WORK, Assy
28		85819696		1	LIGHT, Assy
29		14142390		2	BULB

B115B

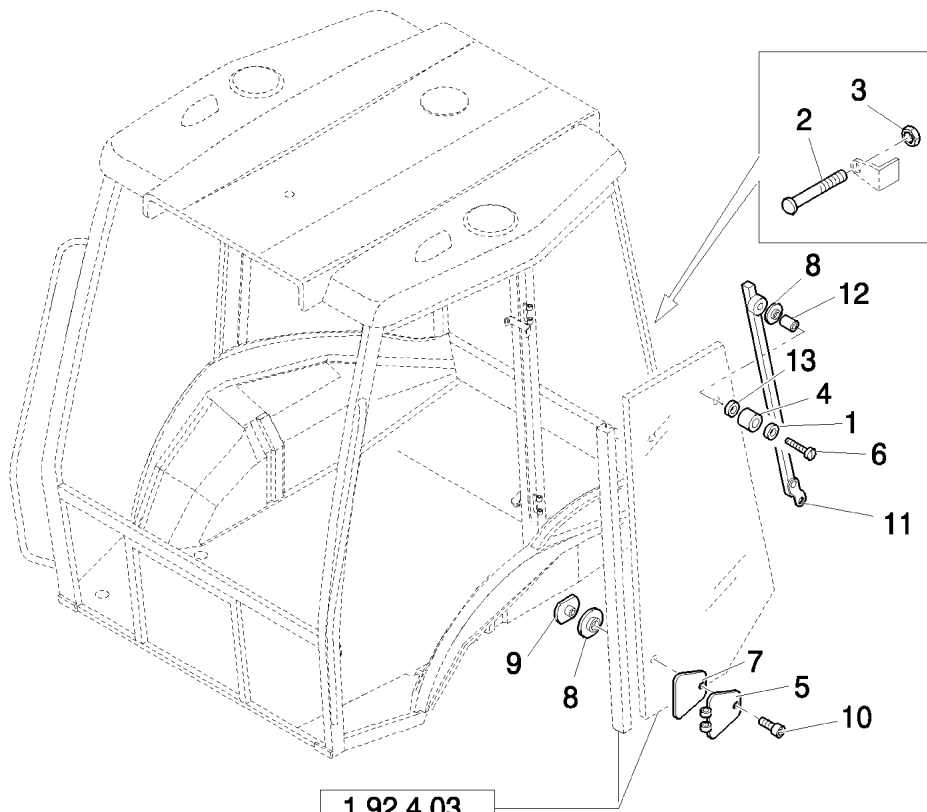
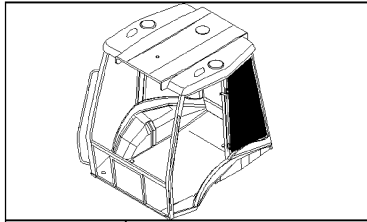
1.92.4

02

p1

04/08

CAB SIDE GLASS FASTENERS



1.92.4 03



1.92.6

03

p1

03/08

DOOR CLOSURE HINGE COMPONENTS

REF	FN	PART NUMBER	YR/SN	QTY	DESCRIPTION
1		87304810		4	PIN
2		83964146		24	WASHER
3		11088076		8	CIRCLIP, M10, D.9
4		13406911		4	NIPPLE, LUBE, 1/4"-28
5		83994395		2	PLATE, STEEL
6		83994372		2	GUARD
7		83994378		2	NUT, M12 x 1
8		5183854		2	GAS STRUT
9		82000409		4	PIN, BALL
10		81869714		4	CLIP
11		16104511		4	NUT, LOCK, M8 x 1.25, CI 8.8
12		81867742		2	BOOT
13		5112712		4	CLIP, HOSE, M4.8 x 283

B115B

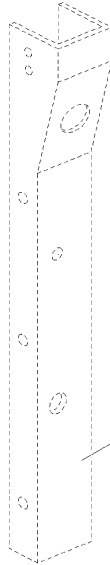
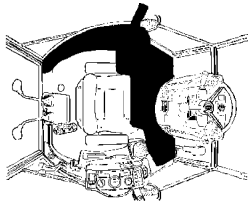
1.93.0

03

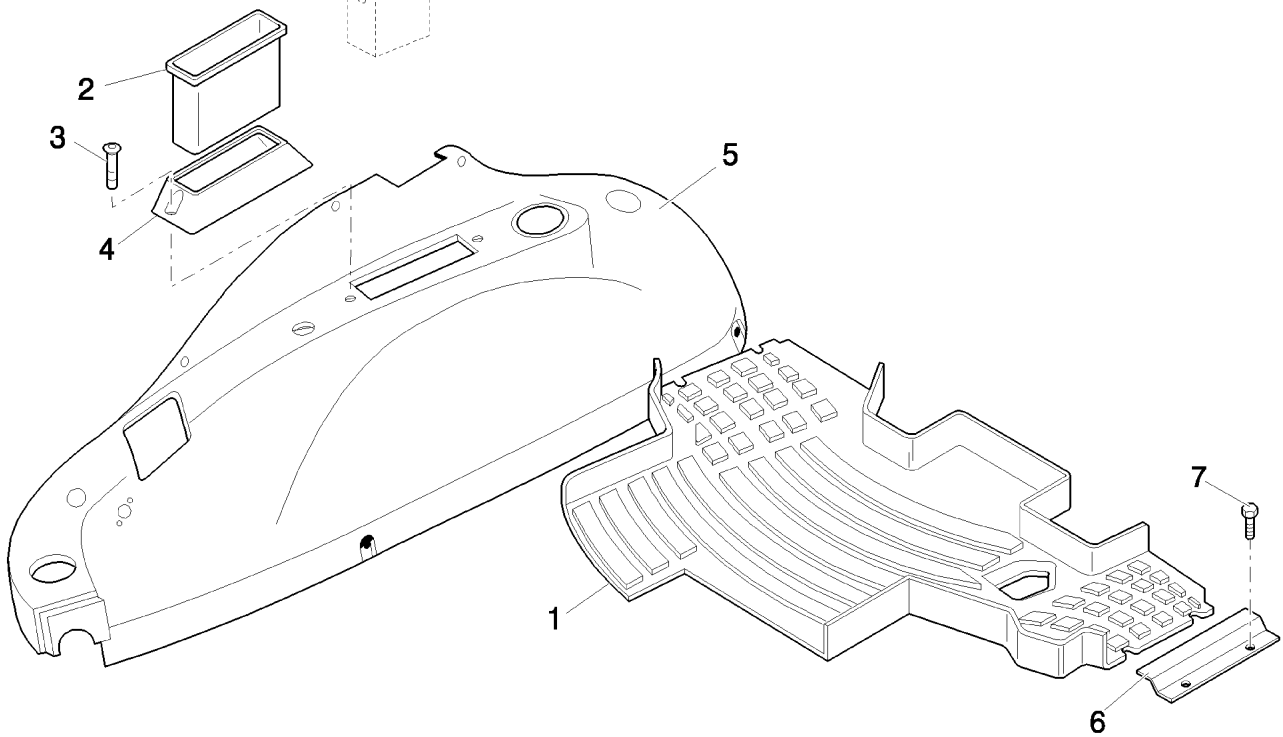
p1

03/08

CAB / SIDE COVERING AND FRONT FLOOR (POWER SHUTTLE: POWER SHIFT)



1.93.0 01



1.93.5

01

p1

04/08

CAB / FRONT DASHBOARD

REF	FN	PART NUMBER	YR/SN	QTY	DESCRIPTION
1	1, 2, 3	85819289		1	PANEL, DASH, Assy
1	1, 4	85819291		1	PANEL, DASH, Assy
2		85819567		2	DUCT, AIR
3		85819454		2	DIFFUSER
4		14440327		4	SCREW, Hex Soc Flat Hd, M4 x 20, 8.8
5		85805323		1	KNOB, M5
6		85806089		1	COVER
7		85804750		5	BUSHING, THREADED, M5
8		79089592		AR	WASHER, D=24
9		79105220		AR	SCREW, LOCK, Cross Oval Csk Hd, M6 x 20
10		14568887		4	FASTENER, 8X20
11		85819592		2	SLEEVE

(1) Includes 2 - 7

(2) Only for B90B, B95B, B95BLR, B95BTC, B110B (NA)

(3) Only for B90B, B90BLR, B100B, B100BLR, B110B (EU)

(4) Only for B115B

B115B

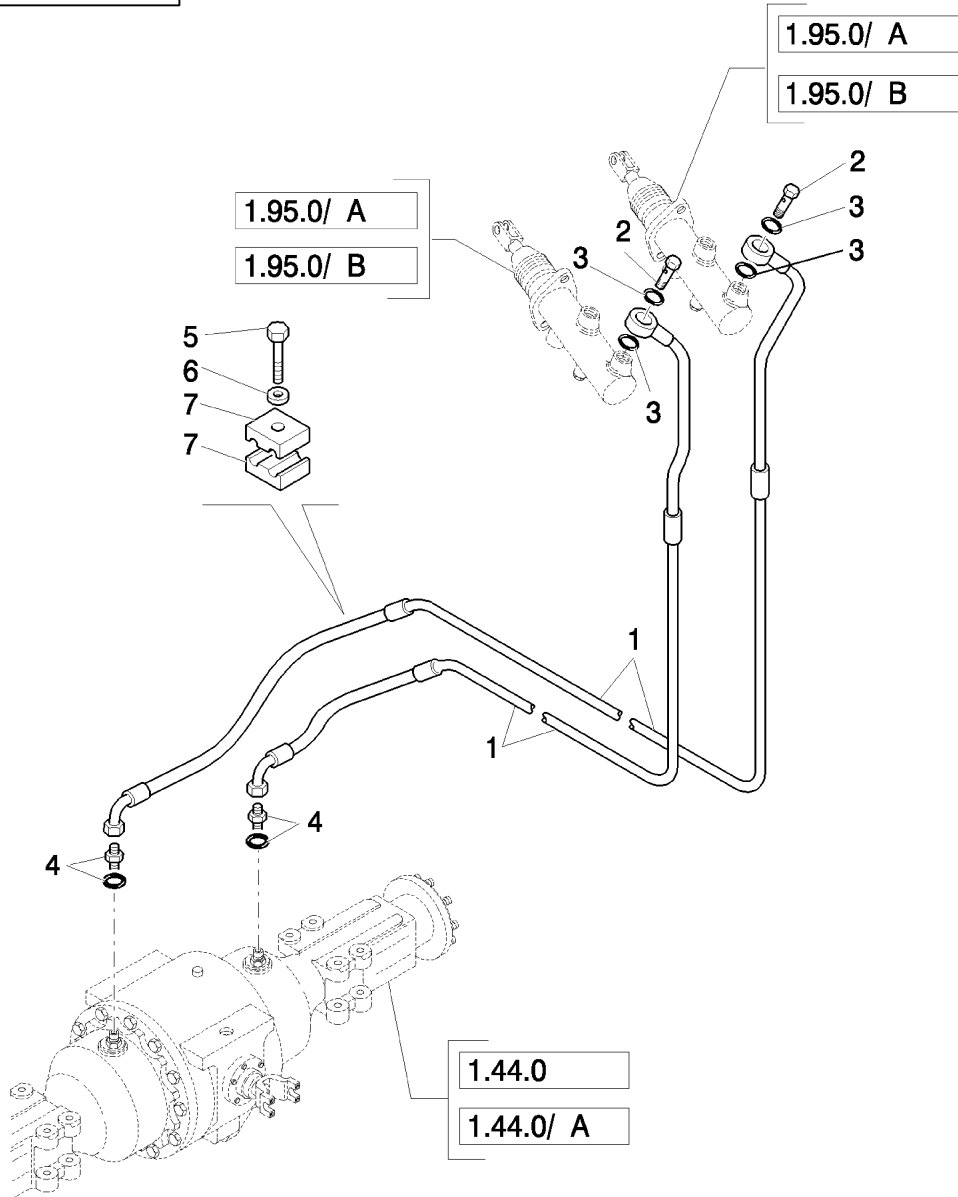
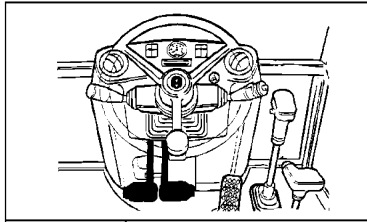
1.95.0

03

p1

03/08

CAB / ROPS / BRAKE SYSTEM PIPES



STEERING COLUMN AND COVERING: NA

REF	FN	PART NUMBER	YR/SN	QTY	DESCRIPTION
1		87360424		1	STEERING HYDRAULIC, Assy
2	1	85805775		1	COVER, Upper
2	2	85805774		1	COVER
3		10615774		4	WASHER, LOCK
4		14432334		4	SCREW, Hex Soc Hd, M10 x 22, 10.9
5		14303324		4	SCREW, Hex Soc Hd, M4 x 20, 8.8, Full Thd
6		11190574		4	WASHER, SPRING, Belleville, M10.5
7		15970724		4	SCREW, Hex, M10 x 1.25 x 25, 8.8, Full Thd
8		85820105		1	CAP
9	3	85805772		1	COVER, LOWER
9	4	85805773		1	COVER
10		5148946		1	STEERING WHEEL
11		4998760		1	WASHER
12		10791414		1	NUT, M16X1,5
13		85801976		1	BOOT
14		14568887		4	FASTENER

- (1) Only for Power Shuttle Rops
(2) Only for CAB Power Shuttle / Power Shift
(3) Only for Power Shuttle
(4) Only for CAB Power Shift

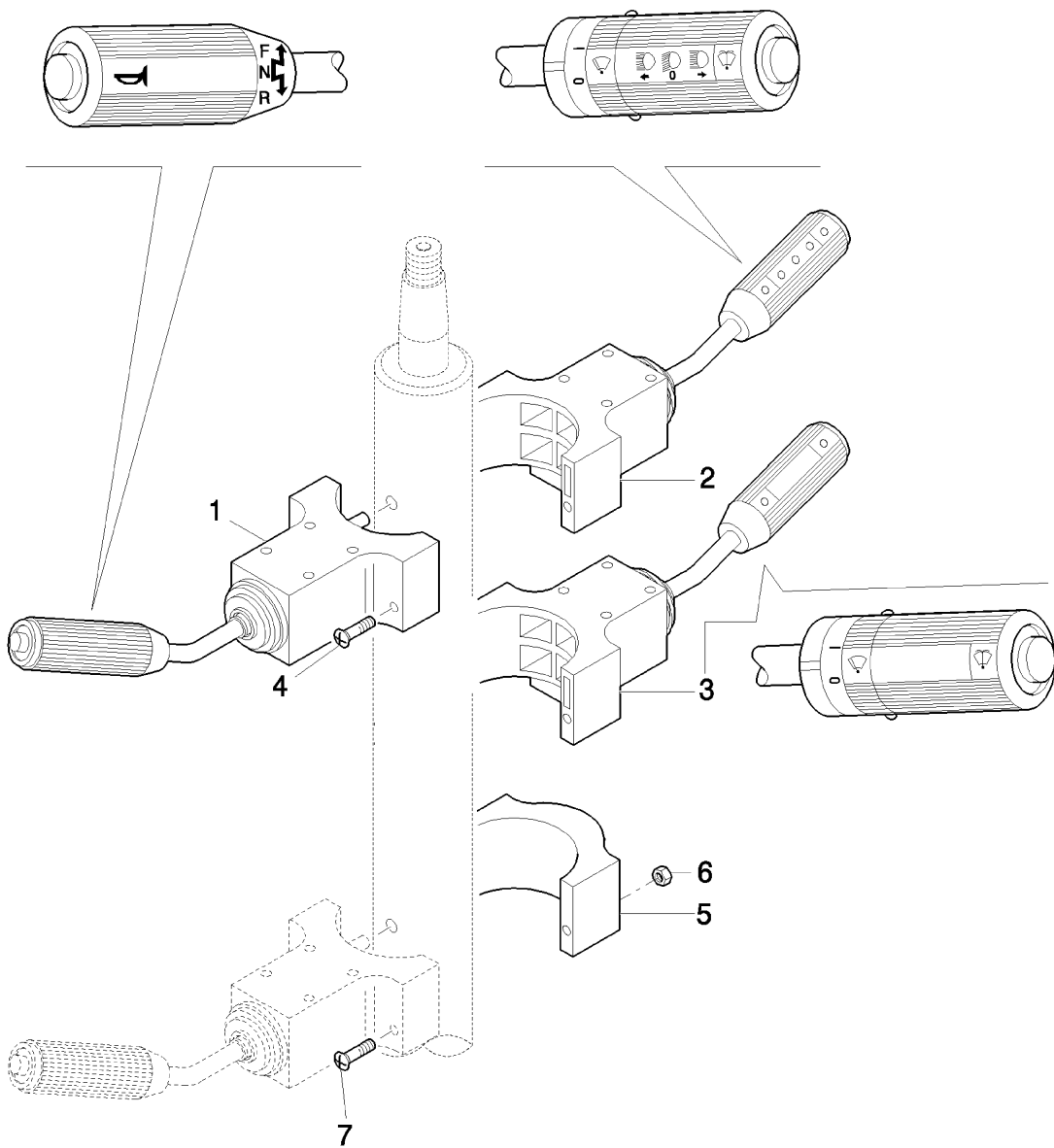
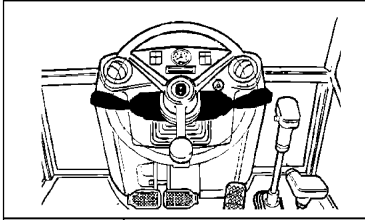
B115B

1.96.0

p1

03/08

FOWARD/REVERSE & MULTI-PURPOSE LEVER



1.96.7/05

p1

04/08

CAB / VARIOUS COMPONENTS (CENTER PIVOT): NA

REF	FN	PART NUMBER	YR/SN	QTY	DESCRIPTION
1		85801968		1	PLATE
2		11198074		2	WASHER, SPRING, Belleville, M8.4
3		16043424		2	SCREW, Hex, M8 x 20, 8.8, Full Thd
4	1	85802225		1	COVER
5		85812021		1	STRIP, SEALING
6		79111978		10	PLUG
7		83994150		2	PLUG
8		85805200		1	DUCT, AIR, Assy, Front
9		85806023		1	STRIP, SEALING
10		10902224		5	BOLT, Hex, M6 x 16, 8.8, Full Thd
11		11193274		5	WASHER, SPRING, Belleville, M6.4
12		85820141		1	DUCT, AIR, Assy
13		85802310		4	PLUG
14	1	85802227		1	PLUG
15		10398580		2	GROMMET
16		85801953		2	RIVET
17		85802309		2	PLUG

(1) Only for Power Shift

Mechanical Version

B115B

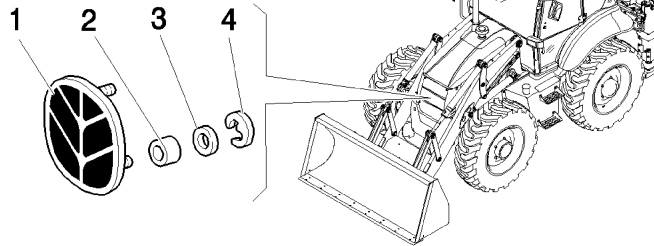
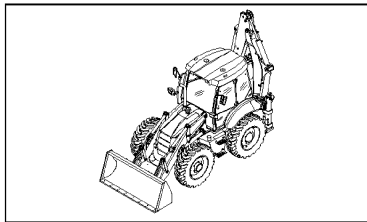
1.98.1

04

p1

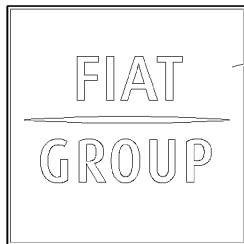
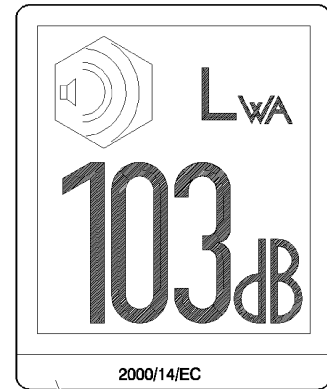
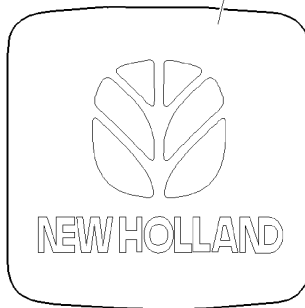
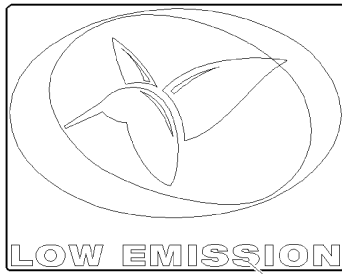
04/08

B115B MODEL IDENTIFICATIO (POWER SHIFT) - EU



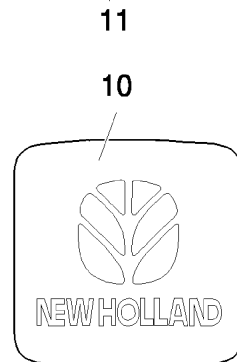
POWERSHIFT 5 6
NEW HOLLAND

NEWHOLLAND 13
NEWHOLLAND 7
NEWHOLLAND 16



B115B 9

B115B 8

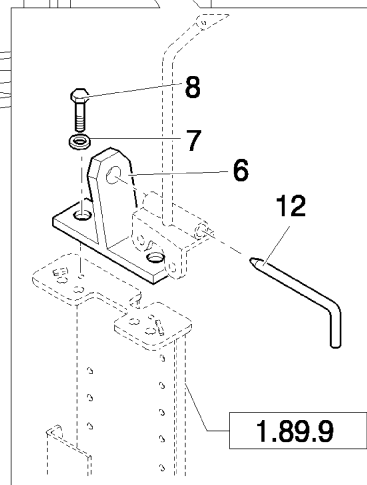
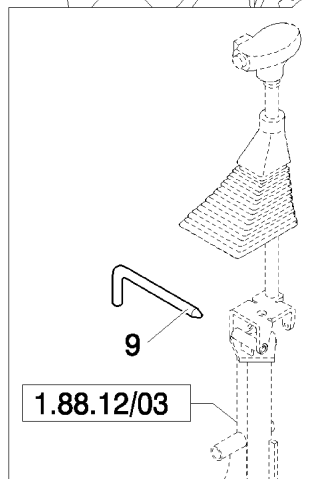
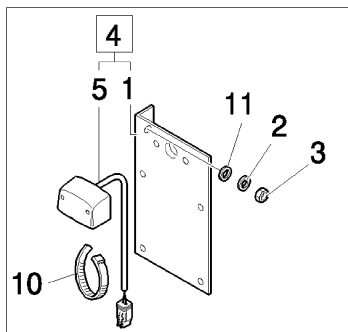
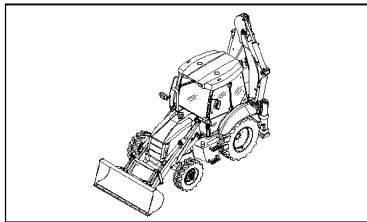


SECTION INDEX

Variation

095		STABILIZER CONTROL WITHOUT AUTO-UP (CENTER PIVOT)
096		STABILIZER CONTROL WITH AUTO-UP (CENTER PIVOT)
128	01	ITALY APPROVAL: EU
128	02	ITALY APPROVAL: EU: LICENCE PLATE HOLDER, LOADER ATTACHMENT CONTROL LOCK
128	03	ITALY APPROVAL: EU: FEET LOCK
128	04	ITALY APPROVAL: EU: BACKHOE ATTACHMENT LOCK
128	05	ITALY APPROVAL: EU: BUCKET GUARD
128	06	ITALY APPROVAL: EU: BUCKET LOCK
129	01	GERMANY APPROVAL: EU: LOADER ATTACHMENT CONTROL LOCK, BACKHOE ATTACHMENT
129	02	GERMANY APPROVAL: EU: LOADER ATTACHMENT CONTROL LOCK
129	03	GERMANY APPROVAL: EU: FEET LOCK
129	04	GERMANY APPROVAL: EU: BACKHOE ATTACHMENT LOCK
129	06	APPROVAL FOR GERMANY: BUCKET LOCK AND GUARDS
129	07	GERMANY APPROVAL: EU: WHEEL WEDGES
130	01	EUROPE APPROVAL: LICENCE PLATE HOLDER, LOADER ATTACHMENT CONTROL LOCK, BACKHOE ATTACHMENT
130	02	EUROPE APPROVAL: LICENCE PLATE HOLDER
130	03	EUROPE APPROVAL: FEET LOCK
130	05	APPROVAL FOR ITALY: BUCKET LOCK
131		SINGLE BATTERY
140	01	UK OUTFIT: EU: BUCKET GUARDS
140	02	UK APPROVAL: EU: BACKHOE ATTACHMENT LOCK
140	03	UK APPROVAL: EU: BUCKET LOCK
140	04	UK APPROVAL: EU: LICENCE PLATE HOLDER, LOADER ATTACHMENT CONTROL LOCK, BACKHOE ATTACHMENT
140	05	UK OUTFIT: EU: LICENCE PLATE HOLDER, BUCKET CONTROL LOCK
140	06	UK APPROVAL: EU: FEET LOCK
140	07	UK APPROVAL: EU: BUCKET LOCK
141	01	FRANCE APPROVAL: EU: BUCKET GUARD
141	02	FRANCE APPROVAL: EU: FEET LOCK
141	04	FRANCE APPROVAL: EU: LICENCE PLATE HOLDER, LOADER ATTACHMENT CONTROL LOCK, BACKHOE ATTACHMENT
141	05	FRANCE APPROVAL: EU: LICENCE PLATE HOLDER, BUCKET CONTROL LOCK
141	06	APPROVAL FOR FRANCE
142		DECAL FOR RUSSIA APPROVAL
175		AIR INTAKE CAP & PRE-CLEANER
176		AIR INTAKE CAP & PRE-CLEANER
201		SHOVEL AND REAR LIFTING HOOKS
243		BACKHOE LOADER BUCKETS COUPLING - EU
293		FRONT COUNTERWEIGHT: 4WS
300	01	BACKHOE CONTROL VALVE, 6 SECTIONS (CENTER PIVOT) - NA
300	02	BACKHOE CONTROL VALVE, INLET SECTION
300	03	BACKHOE CONTROL VALVE, BOOM SECTION
300	04	BACKHOE CONTROL VALVE, SWING SECTION
300	05	BACKHOE CONTROL VALVE, BUCKET SECTION
300	06	BACKHOE CONTROL VALVE, DIPPERSTICK SECTION
300	07	BACKHOE CONTROL VALVE, STABILIZER SECTION (CENTER PIVOT)
300	08	BACKHOE CONTROL VALVE, STABILIZER SECTION (CENTER PIVOT) - LH
301	01	BACKHOE CONTROL VALVE, 6 SECTIONS (SIDE SHIFT) - EU

ITALY APPROVAL: EU



ITALY APPROVAL: EU: BUCKET LOCK

REF	FN	PART NUMBER	YR/SN	QTY	DESCRIPTION
1		85805610		1	STOP
2		86507337		1	PIN, HITCH
3		14565080		2	BUTTON
4		87370045		1	TIE-ROD, Assy
5		10008571		2	YOKE
6		85805608		2	YOKE
7		12163311		2	NUT, M16, Cl 8
8		87370072		1	TIE-ROD

Mechanical / Pilot Version

B 115B

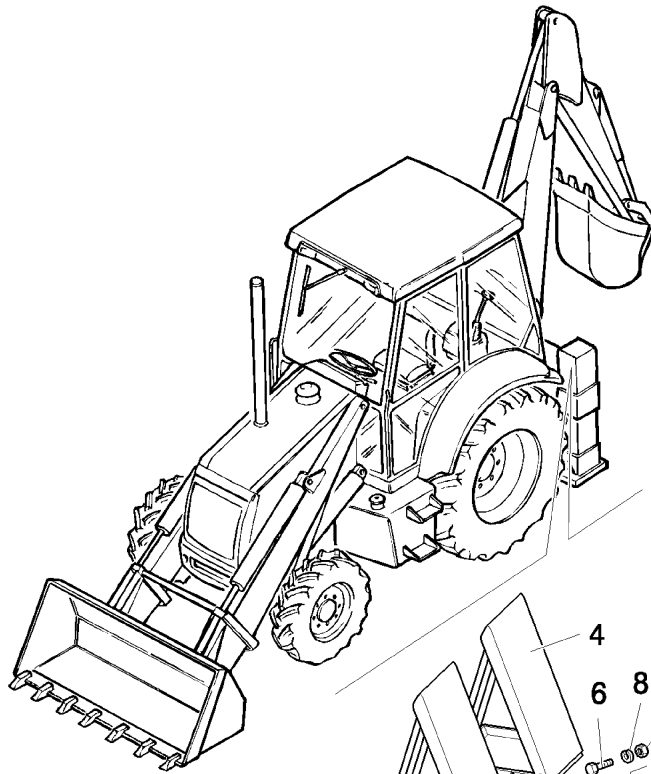
129

07

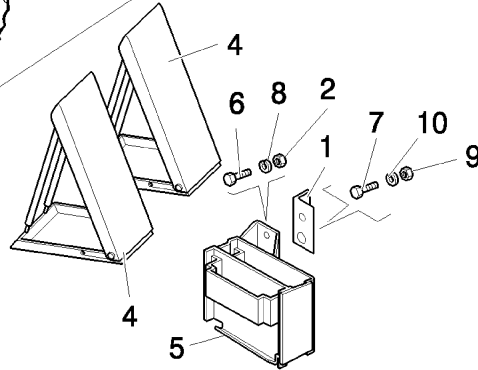
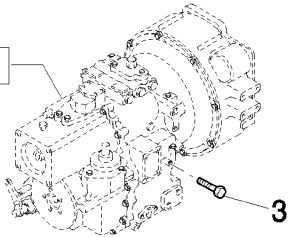
p1

04/08

GERMANY APPROVAL: EU: WHEEL WEDGES



1.28.0



SINGLE BATTERY

REF	FN	PART NUMBER	YR/SN	QTY	DESCRIPTION
1		85825440		1	BATTERY, WET, CANADIAN.
2		87416929		1	BRACKET
3		412005		2	BOLT, Hex, M10 x 220, 8.8, M10x220
4		47048963		2	WASHER
5		47049041		2	NUT, M10
6		47048788		2	ANGLE
7		47049590		1	DECAL
8		87405018		1	Strap, Ground
9		87567413		1	CABLE

B115B

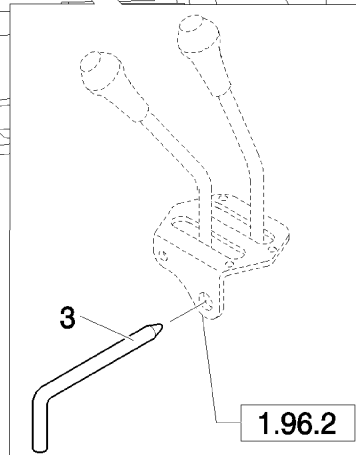
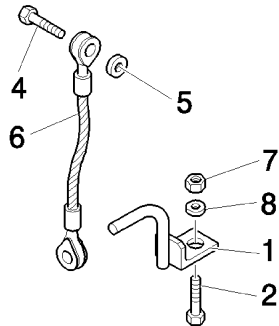
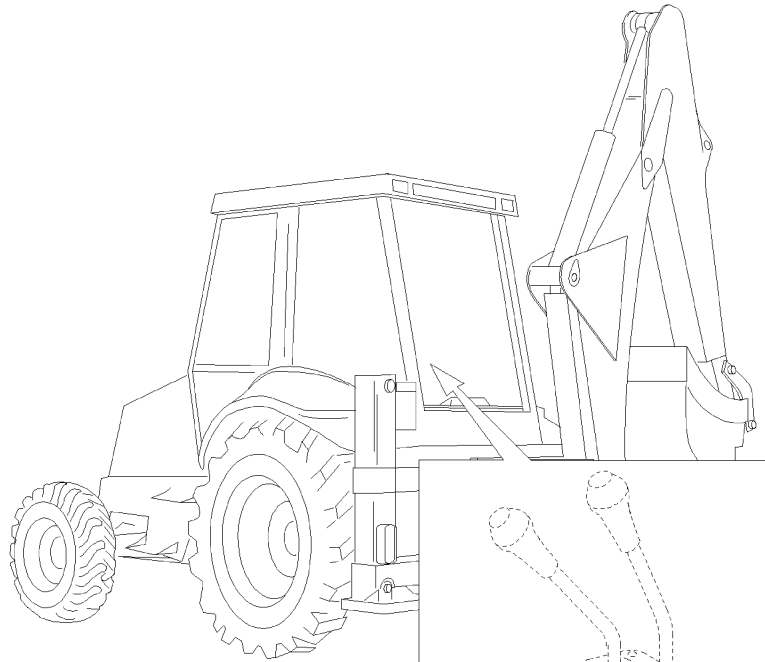
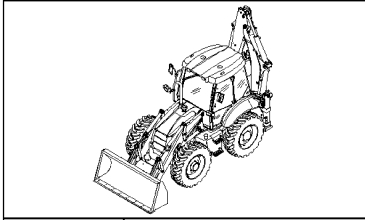
140

06

p1

03/08

UK APPROVAL: EU: FEET LOCK



FRANCE APPROVAL: EU: LICENCE PLATE HOLDER, BUCKET CONTROL LOCK

REF	FN	PART NUMBER	YR/SN	QTY	DESCRIPTION
1		85803296		1	SUPPORT
2		11193879		2	WASHER, SPRING, Belleville, M8.4
3		16100811		2	NUT, M8, CI 8
4		87387258		1	LAMP, NUMBER PLATE
5		87387257		1	LAMP, NUMBER PLATE, Assy
6		12647121		2	WASHER, M8 x 20 x 3
7		85803332		2	STRAP, CABLE, M4.8 x 180
8		87608856		1	PIN

Pilot Control Version

B115B

CLICK HERE TO **DOWNLOAD** THE COMPLETE MANUAL

- Thank you very much for reading the preview of the manual.
- You can download the complete manual from: www.heydownloads.com by clicking the link below



- Please note: If there is no response to CLICKING the link, please download this PDF first and then click on it.

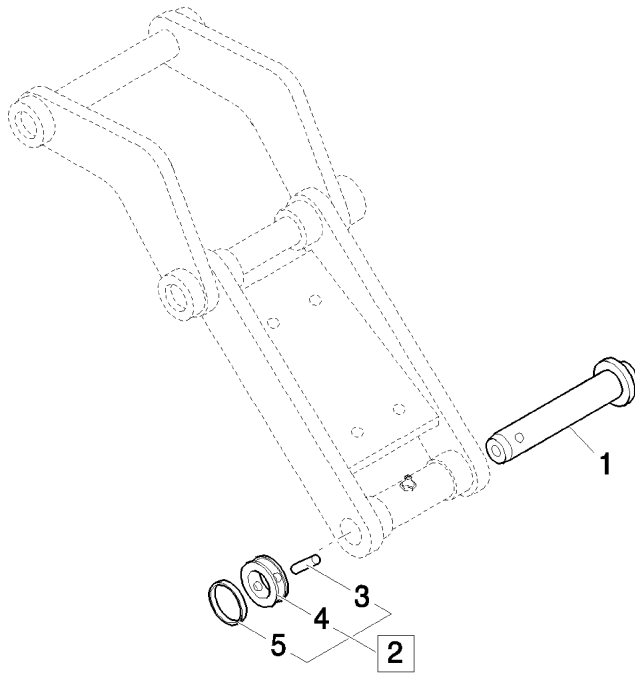
CLICK HERE TO **DOWNLOAD** THE COMPLETE MANUAL

243

p1

04/08

BACKHOE LOADER BUCKETS COUPLING - EU



BACKHOE CONTROL VALVE, SWING SECTION

REF	FN	PART NUMBER	YR/SN	QTY	DESCRIPTION
1		85826253		1	SECTOR, TOOTHED, Assy
2		85819148		1	KIT, SEALS, Seals
3		85819378		1	KIT, SEALS, Seals
4		85811938		2	VALVE, CHECK, Valve, Assy
5		85820130		1	BOOT
6		85824279		1	KIT, Cover Assy
7		85824278		1	KIT, Working Section
8	1, 2	85812114		2	VALVE, HYDRAULIC
9		85824282		1	KIT, Seals
10		85811933		2	KIT, SEALS, Seals
11		85811934		2	KIT, Cover
12		85819040		1	KIT, SEALS, Compensator Seal
13		85825248		1	KIT, Spool Seal

(1) Includes 10, 11

(2) 205 BAR

Mechanical Version

B 115B

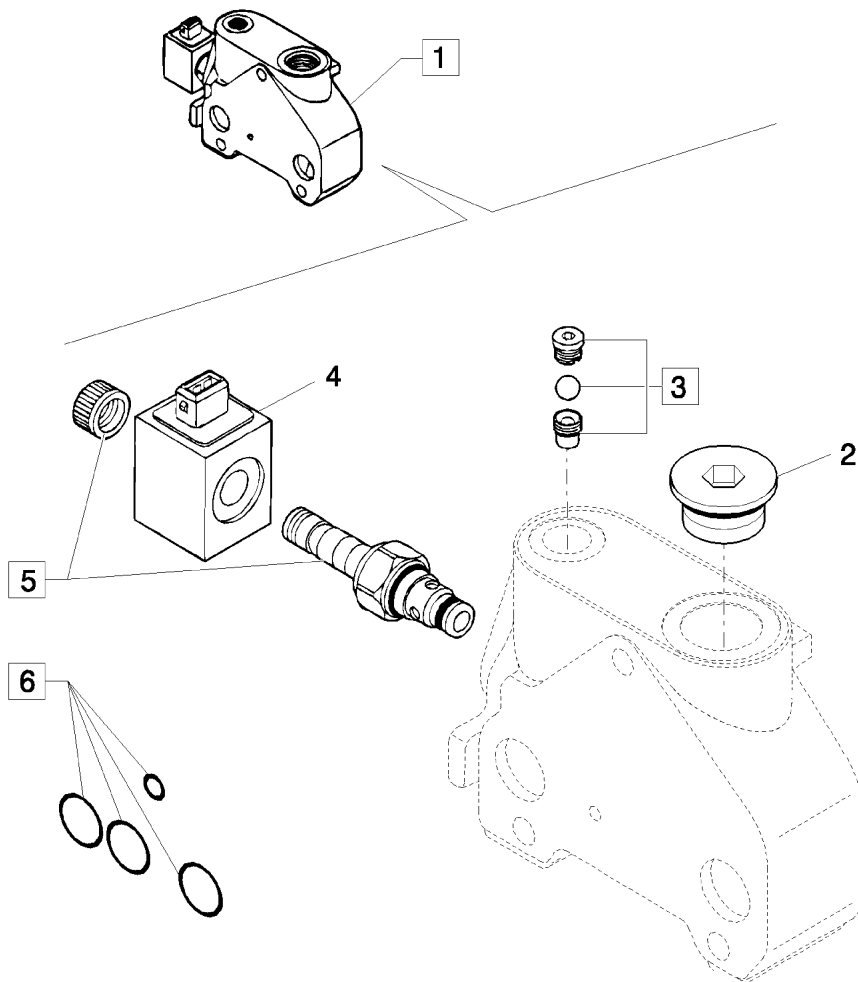
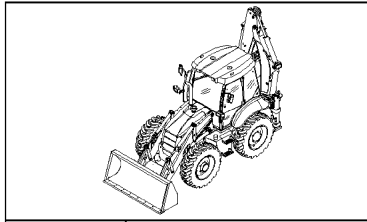
301

02

p1

04/08

BACKHOE CONTROL VALVE, OULET SECTION (SIDE SHIFT) - EU



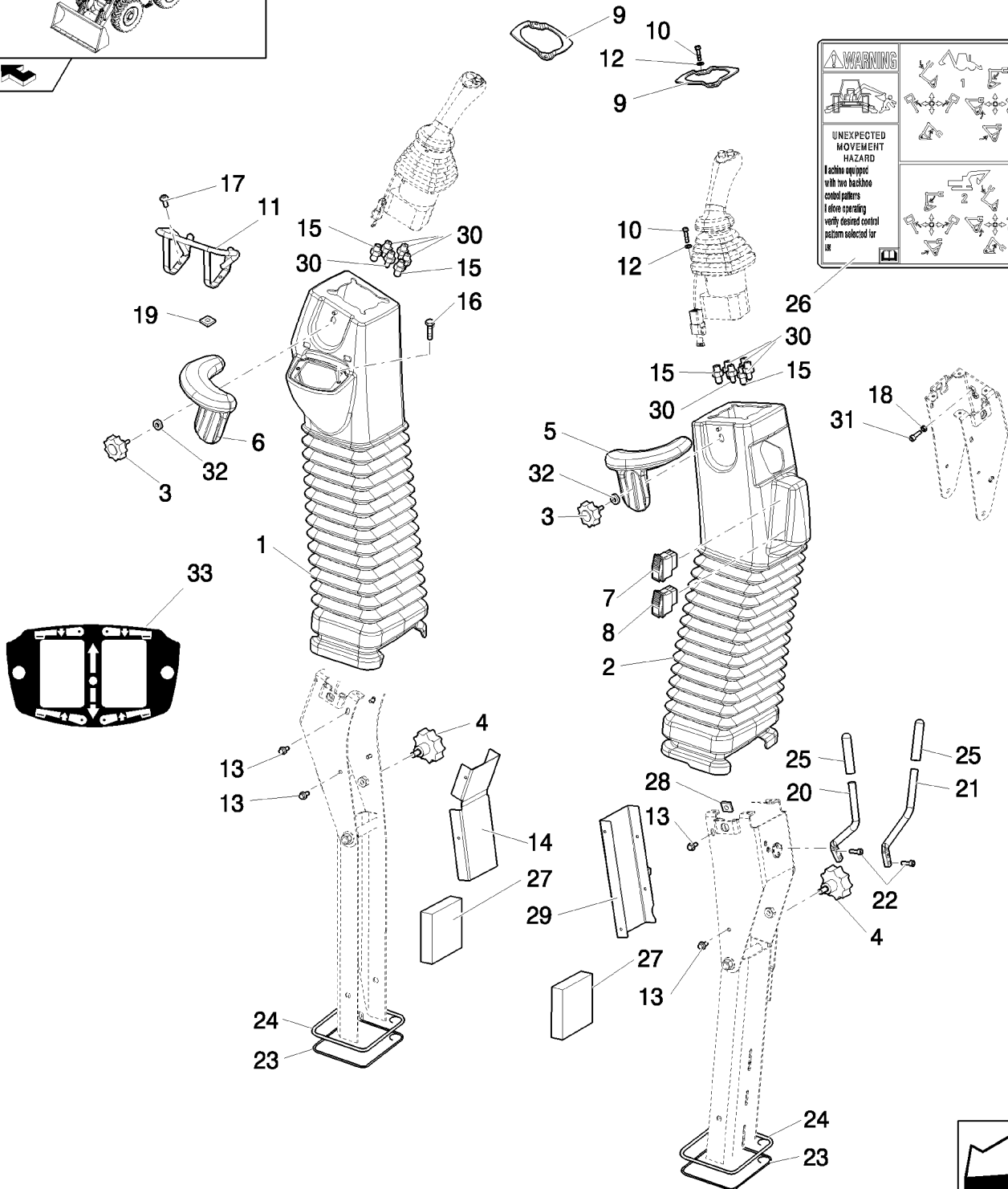
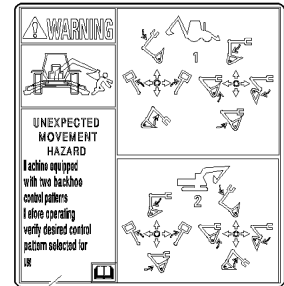
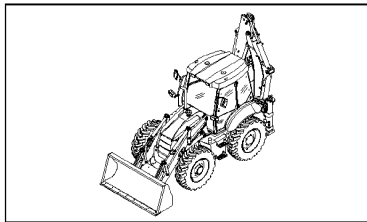
311		p1	03/08
-----	--	----	-------

STABILIZER CYLINDER - LOCK VALVE (SIDE SHIFT) - EU

REF	FN	PART NUMBER	YR/SN	QTY	DESCRIPTION
1		87374648		2	VALVE
2		83985067		8	CONNECTOR, HYD., Includes O-Rings 9617873 & 9992298

	B115B
--	--------------

PILOT CONTROL VALVE SUPPORT, COMPLETE



PILOT CONTROL VALVE SUPPORT, COMPLETE

REF	FN	PART NUMBER	YR/SN	QTY	DESCRIPTION
1		85828216		1	HARNESS, WIRE
2	1	87305611		1	HARNESS, WIRE
2	2	87573079		1	HARNESS
3	3,1	87305604		1	HARNESS, WIRE
3	3,2	87573078		1	HARNESS
4		14560187		7	STRAP, CABLE, 178mm lg, L=203.2 mm
5		47044780		2	CABLE
6		85821537		1	RELAY
7		86988086		2	JOYSTICK
8		87435381		1	PLATE, MOUNTING
9		85821534		2	SCREW

- (1) Only for B90B, B90BLR (EU) - B90B(NA)
- (2) Only for B100B, B100BLR, B110B, B115B (EU) - B95B, B95BLR, B95BTC, B110B, B115B (NA)
- (3) Includes 1, 2, 6

Pilot Control Version

B 115B

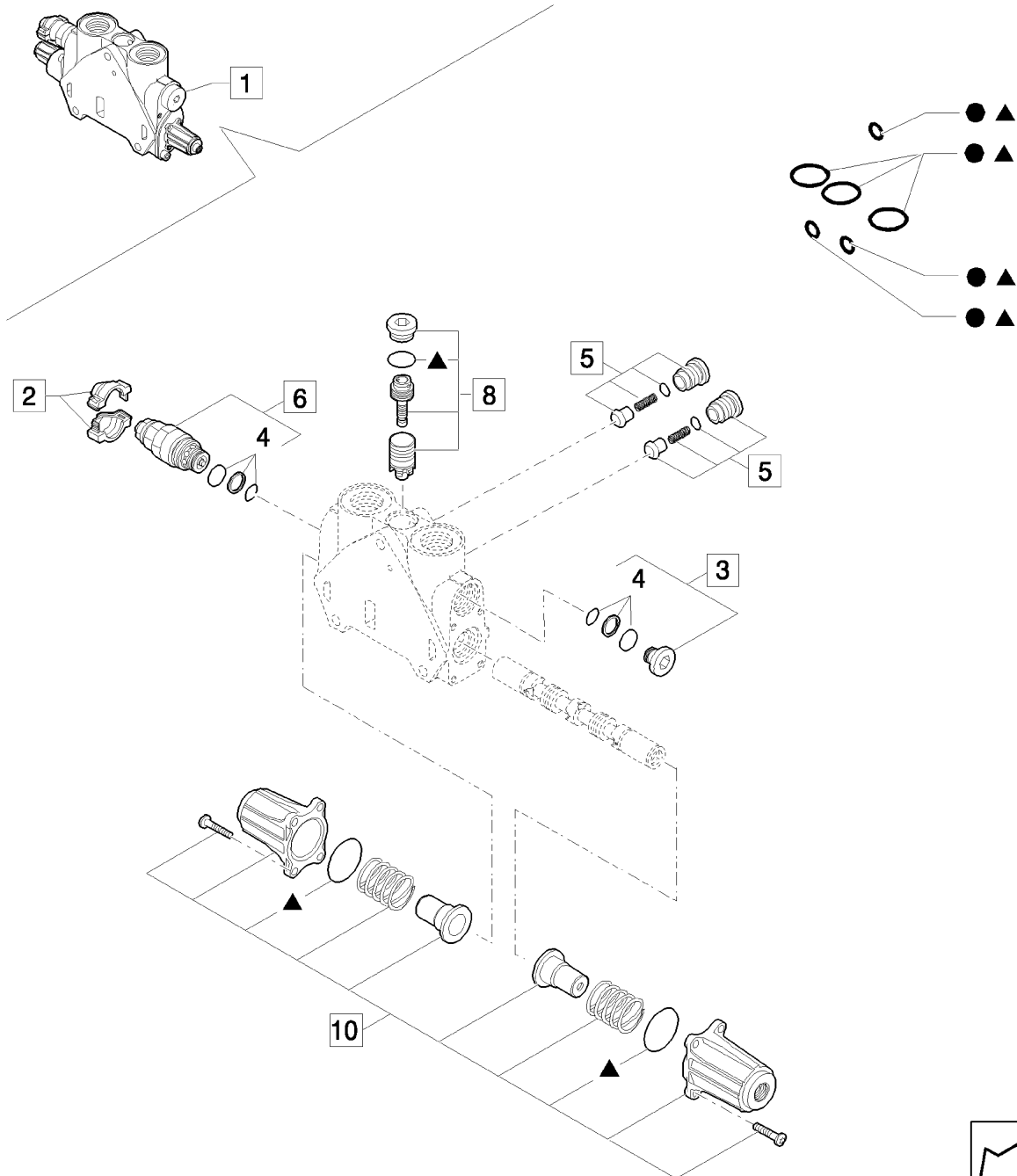
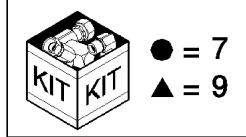
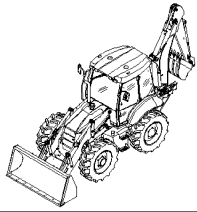
331/ B

05

p1

04/08

BACKHOE CONTROL VALVE, BUCKET SECTION (CENTER PIVOT)



331/ B

10

p1

04/08

BACKHOE CONTROL VALVE, BUCKET SECTION (CENTER PIVOT)

REF	FN	PART NUMBER	YR/SN	QTY	DESCRIPTION
1		85826903		1	SECTOR, TOOTHED, Assy
2		85811934		1	KIT, Cover
3		85811935		1	KIT
4		85811933		1	KIT, SEALS, Valve Seals
5		85811938		1	VALVE, CHECK, Valve, Assy
6	1	85812115		1	VALVE, HYDRAULIC, Assy
7		85819148		1	KIT, SEALS, Seals
8		85819378		1	KIT, SEALS, Valve
9		85824281		1	KIT, SEALS, Seals
10		85826344		2	KIT, Cover Assy

(1) 220 BAR

Pilot Control Version

B115B

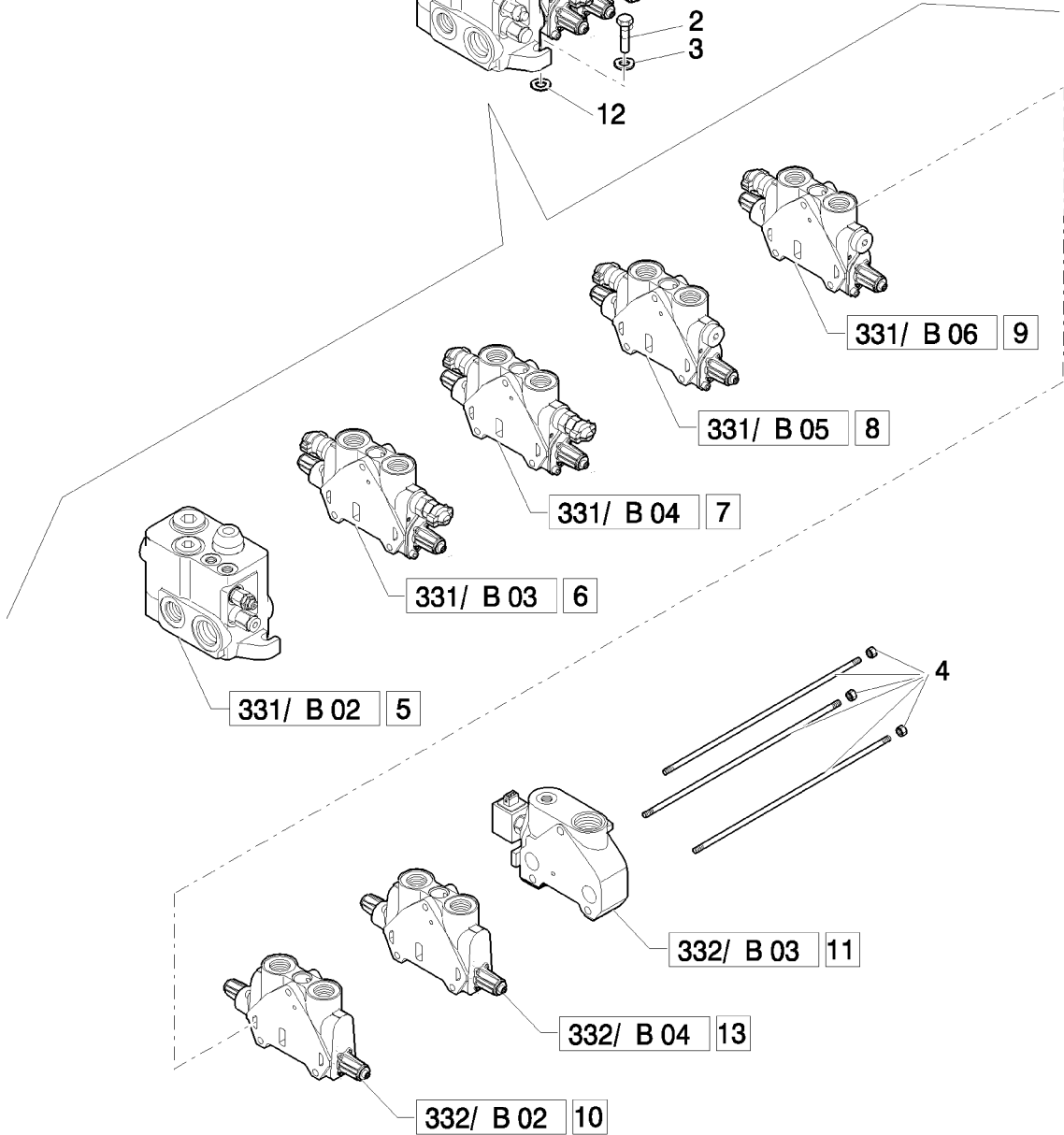
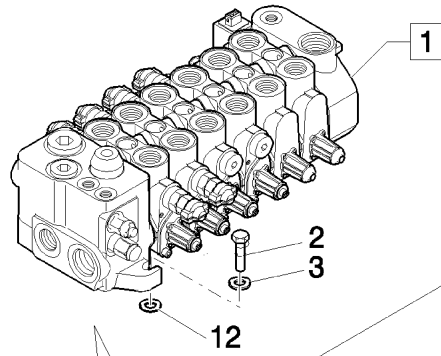
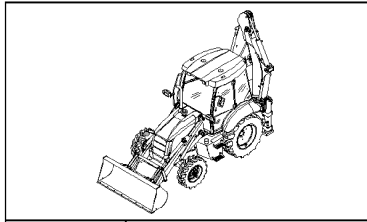
332/ B

01

p1

04/08

BACKHOE CONTROL VALVE, 6 SECTIONS (SIDE SHIFT) - EU



TOWER ASSY FOR 7-SECTION PILOT CONTROL: CONTROL VALVE HYDRAULIC SYSTEM, PROPORTIONAL VALVE

REF	FN	PART NUMBER	YR/SN	QTY	DESCRIPTION
1		85827093		1	TUBE, HYD
2		85827094		1	TUBE, HYD
3		85827091		1	TUBE, HYD
4		85827089		1	TUBE, HYD
5		85827092		1	TUBE, HYD
6		85827095		1	TUBE, HYD
7		85827090		1	TUBE, HYD
8		85827088		1	TUBE, HYD
9		85803312		9	CONNECTOR, HYD.
10		47050653		6	ELBOW
11		47050685		4	CONNECTOR, HYD.
12		85827097		1	TUBE, HYD
13		87306186		1	TUBE, HYD

Pilot Control Version

B115B

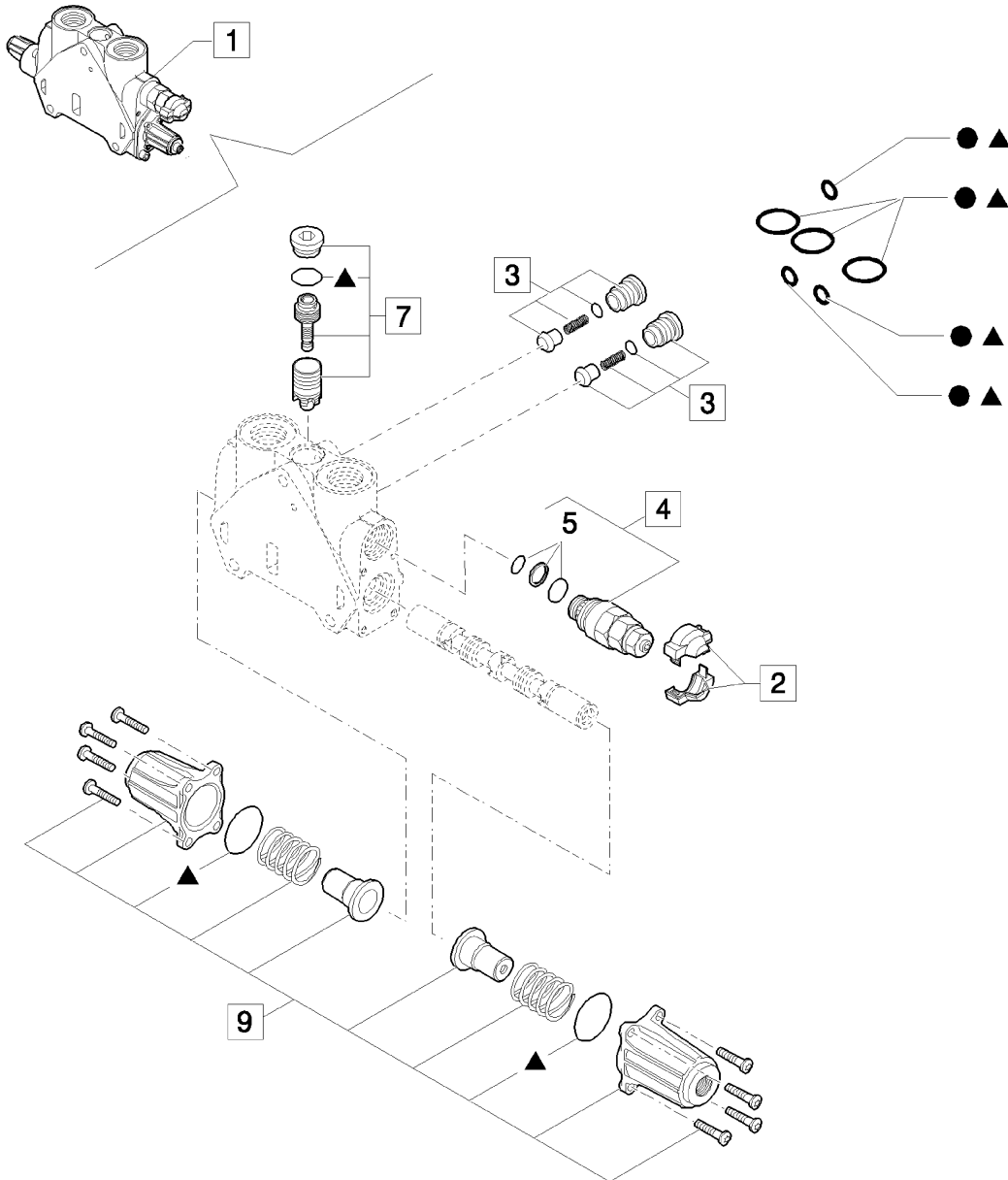
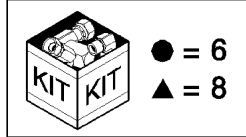
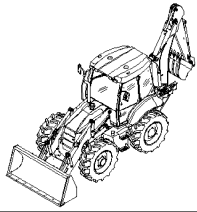
333/ B

02

p1

04/08

BACKHOE ATTACHMENT 7-SECTION CONTROL VALVE (CENTER PIVOT): EU: TELESCOPIC CYLINDER



334	01	p1	04/08
------------	----	----	-------

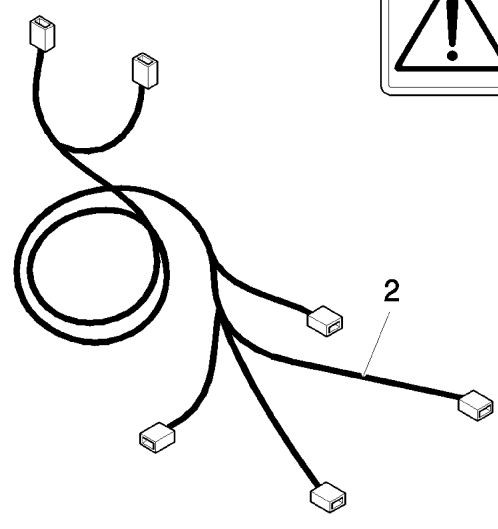
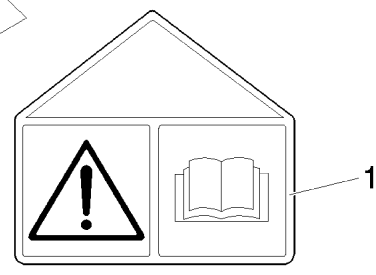
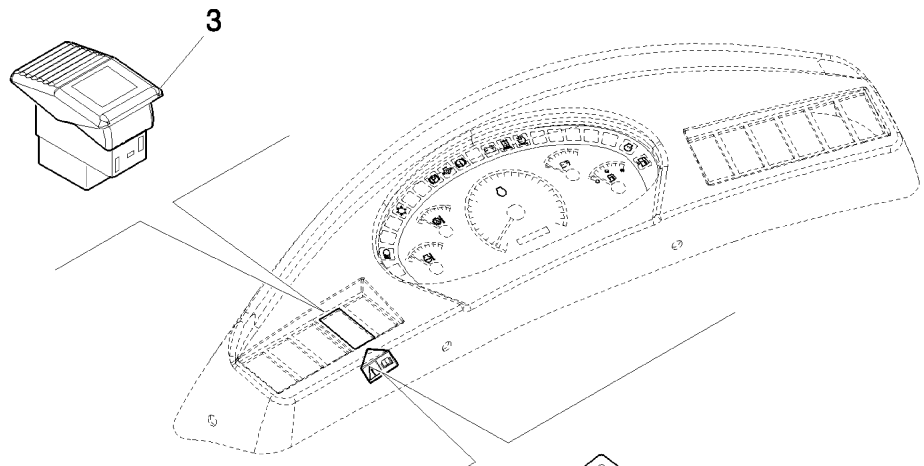
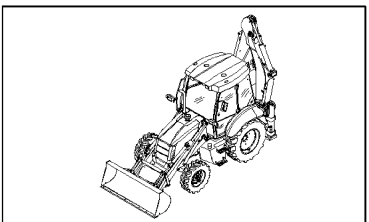
TOWER ASSY 7 SECTIONS (SIDE SHIFT) - EU

REF	FN	PART NUMBER	YR/SN	QTY	DESCRIPTION
1		87734108		1	VALVE, CONTROL, Assy
2		87685955		1	VALVE, CONTROL, Assy
3		87685948		1	VALVE, CONTROL, Assy

Pilot Control Version

B 115B

LOCK VALVE ON LOADER LIFT CYLINDERS



TOWER ASSY FOR 8-SECTION PILOT CONTROL (SIDE SHIFT) EU: CONTROL VALVE INSTALLATION

REF	FN	PART NUMBER	YR/SN	QTY	DESCRIPTION
1		87311441		1	HOSE, FLEXIBLE
2		85805258		1	CONNECTOR, HYD., 9/16"-16 ORS x 1 1/16"-12, O-Ring
3		83962539		1	CONNECTOR, HYD.
4		87311440		1	HOSE, FLEXIBLE
5		85803393		2	CLAMP
6		85812029		4	CLAMP

Pilot Control Version

B115B

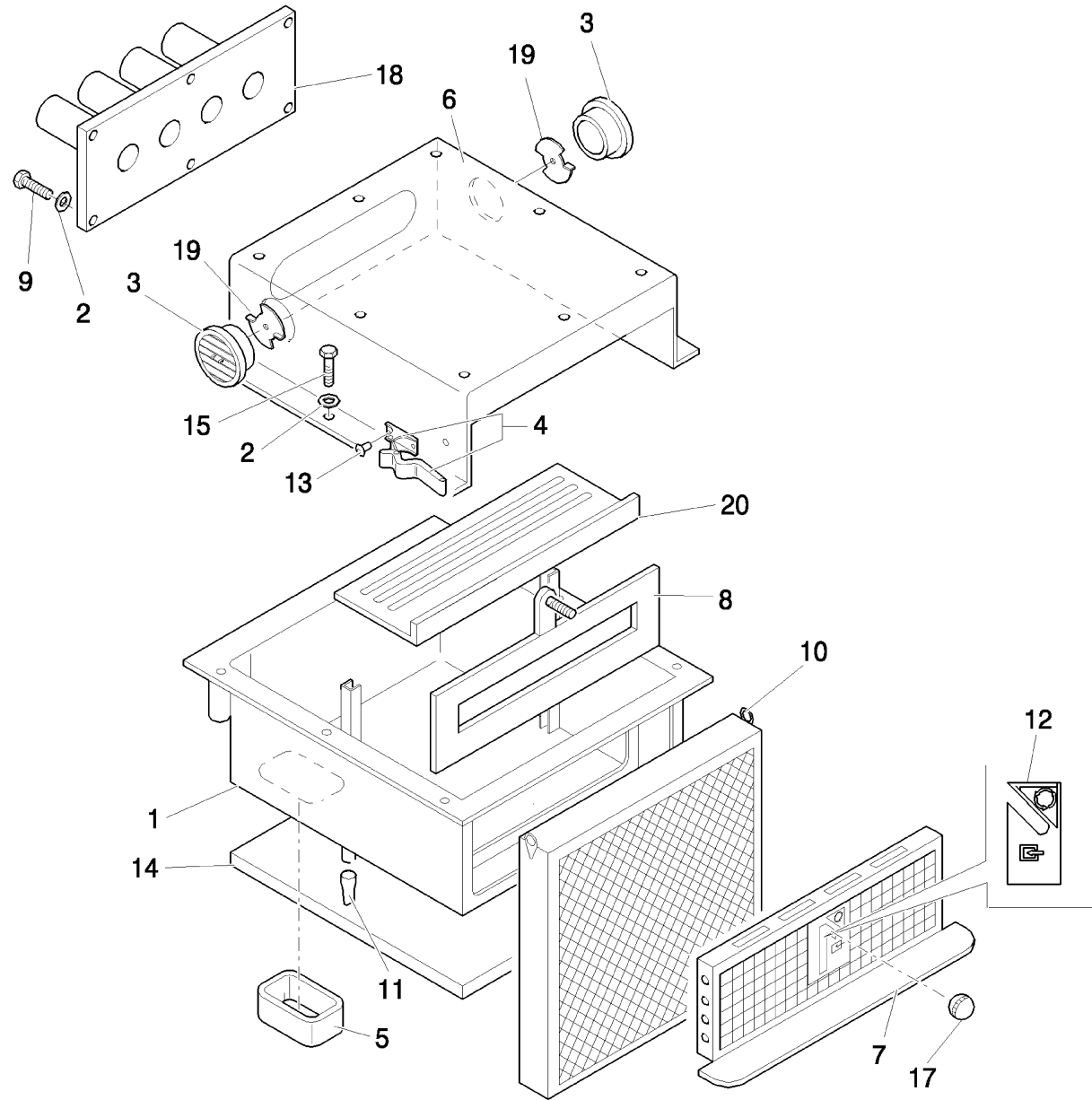
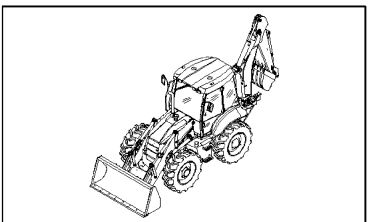
346

01

p1

03/08

A/C HOUSING & FILTERS



HOUSING & FILTERS

REF	FN	PART NUMBER	YR/SN	QTY	DESCRIPTION
1		87314323		1	HOUSING
2		11193974		6	WASHER, SPRING, Belleville, M8.4
3		87618259		2	BAFFLE
4		87358140		2	HANDLE GRIP
5		87314355		1	BOTTOM
6		87618272		1	COVER
7		87314330		1	GRILLE
8		85819184		13	SCREW
9		87316439		1	DUCT, AIR
10		87314367		1	FILTER, CAB
11		87358141		4	RIVET
12		16043624		6	BOLT, Hex, M8 x 25, 8.8, Full Thd
13		87315029		2	VALVE, DUST

B115B

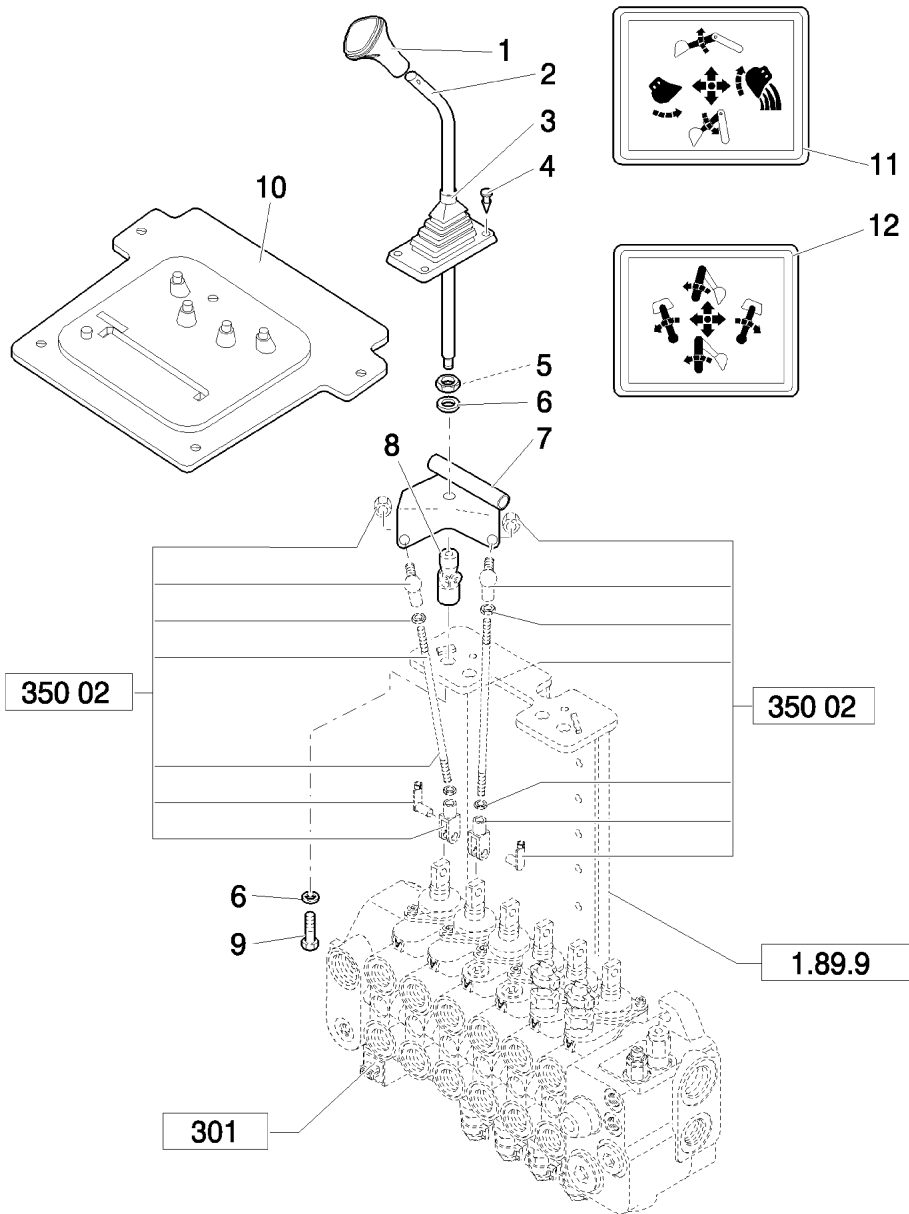
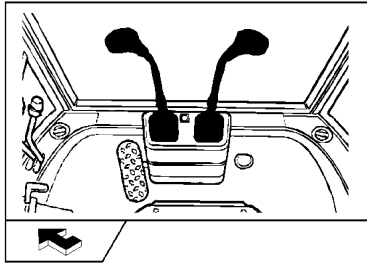
350

01

p1

03/08

2-LEVER BACKHOE ATTACHMENT CONTROL: CONTROL



2-LEVER ISO BACKHOE ATTACHMENT CONTROLS: CONTROL LEVERS

REF	FN	PART NUMBER	YR/SN	QTY	DESCRIPTION
1		85801502		1	KNOB, Without Horn Switch
2		85802682		1	KNOB, Includes 13796621 M5 x 8mm long Setscrew; With 87448432 Horn Switch
		87448432		1	SWITCH ASSY, Horn
3		85802843		2	BOOT
4		14568887		8	FASTENER, 8X20
5		85803124		1	BRACKET, LH
6		85801518		2	JOINT, UNIVERSAL
7		11190779		4	WASHER, SPRING, Belleville, M13
8		15540321		2	BOLT, Hex, M12 x 1.25 x 25, 8.8, Full Thd
9		85801488		2	LEVER
10		16101511		2	NUT, M12 x 1.25, Cl 8
11		85803107		1	BRACKET, RH
12		85804541		1	BOOT
13		85803783		1	DECAL
14		85803782		1	DECAL

Mechanical Version

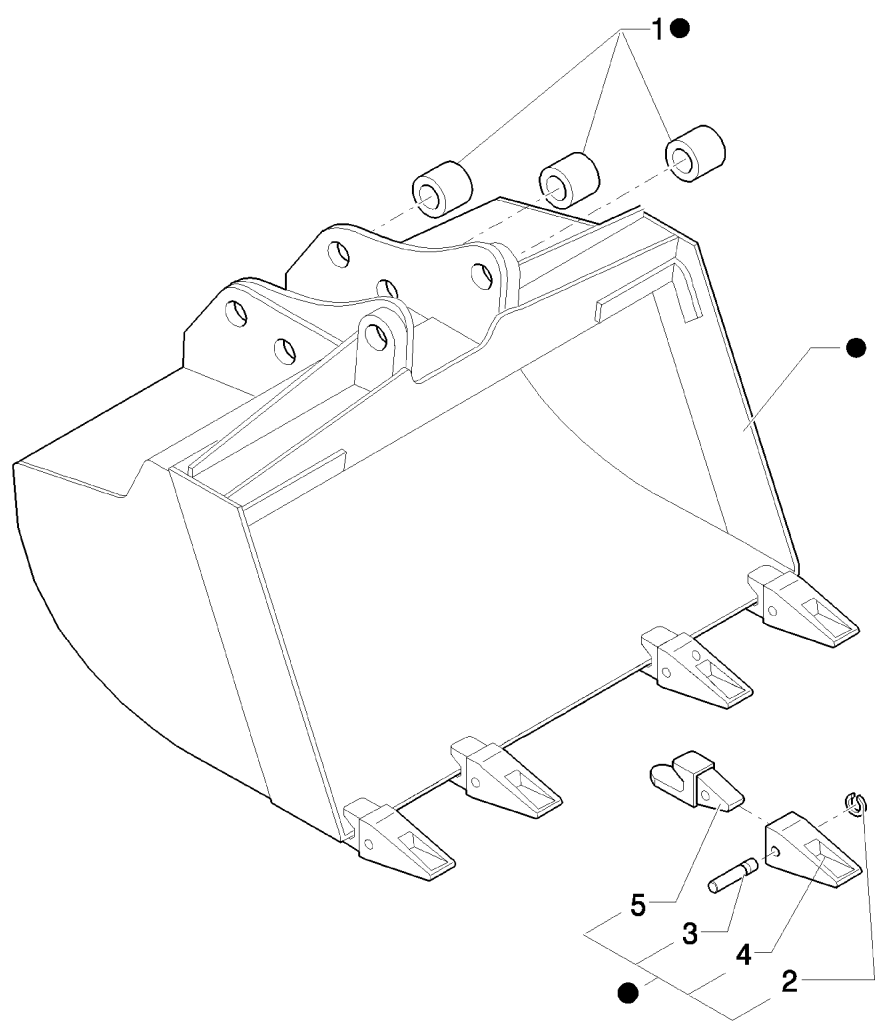
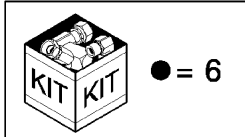
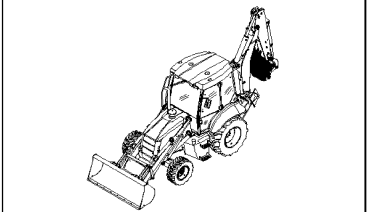
B115B

389

p1

03/08

30" (762MM) HD BACKHOE BUCKET WITH PIN TEETH - NA



4-LEVER BACKHOE ATTACHMENT CONTROLS, CONSOLE, LEVERS AND SQUARE LEVER (CENTER PIVOT: SIDE SHIFT): CONTROL LEVER

REF	FN	PART NUMBER	YR/SN	QTY	DESCRIPTION
1		85804780		4	LEVER
2		85803382		4	BOOT
3		13272477		8	SCREW, Cross Pan Hd, M4 x 20, 12.9
4		85802647		1	SUPPORT, Assy
5		15540421		2	BOLT, Hex, M12 x 1.25 x 30, 8.8, Full Thd
6		83962918		2	HANDLE, LH
7		85804782		1	PIN
8		85803540		1	PLATE
9		16101511		6	NUT, M12 x 1.25, CI 8
10		11190779		6	WASHER, SPRING, Belleville, M13
11		85804801		1	BELLCRANK, Assy
12		85802494		12	BUSHING
13		85804787		1	BELLCRANK
14		13940370		1	PIN, ROLL, M5 x 26, Coiled
15		85804794		1	BELLCRANK, Assy
16		85804791		1	BELLCRANK, Assy
17	1	87319744		1	DASHBOARD
17	2	85827820		1	BLISTER
18		83962919		2	HANDLE, RH
19	2	85804781		1	COVER
20		13812631		1	SET SCREW, Hex Soc, M12 x 12, Flat Pt
21		85802227		1	PLUG
22		13272477		8	SCREW, Cross Pan Hd, M4 x 20, 12.9

- (1) Side Shift - Center Pivot - CAB
- (2) ROPS

Mechanical Version

B115B

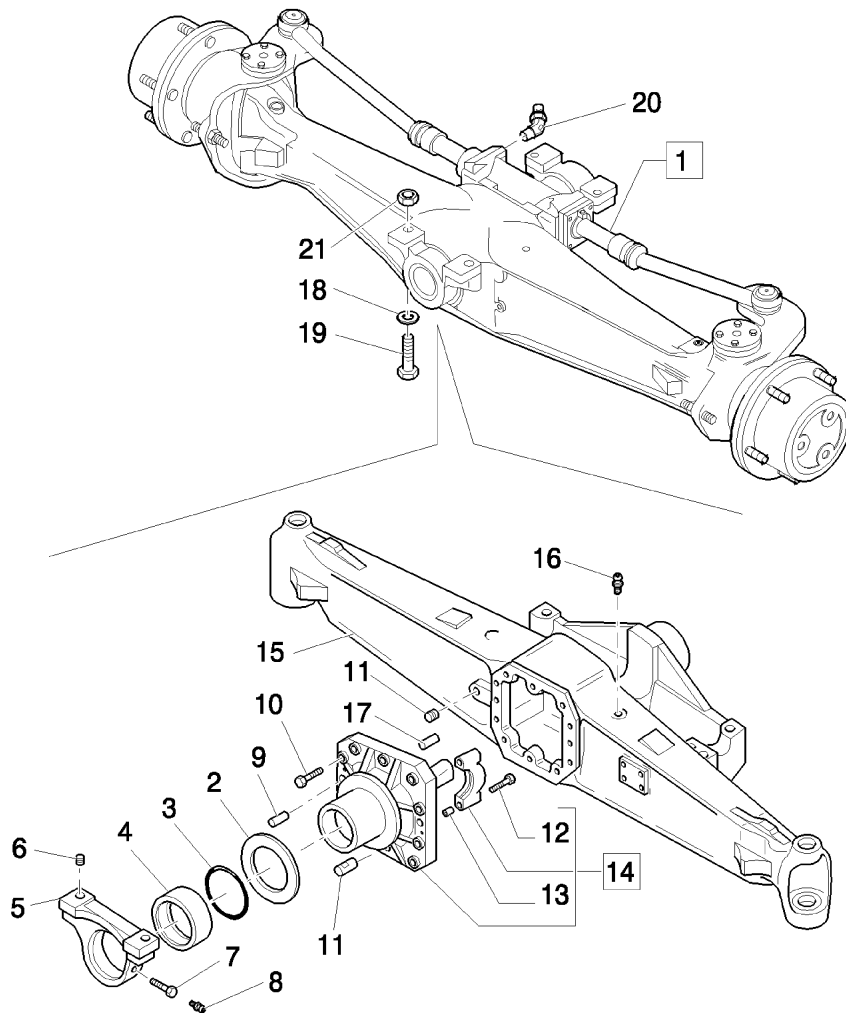
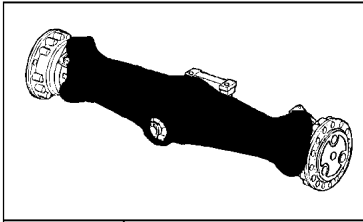
400

01

p1

04/08

FRONT AXLE (4WS) - BOX



400	06	p1	04/08
-----	----	----	-------

FRONT AXLE (4WS) - DIFFERENTIAL LOCKING (STANDARD)

REF	FN	PART NUMBER	YR/SN	QTY	DESCRIPTION
1		85807993		1	HOUSING, Assy
2		9966352		4	WASHER, THRUST
3		85807992		2	PIN
4		9967736		12	SCREW, M10 x 1.5 x 75
5		9967739		2	SCREW, M6 x 10
6		85817785		2	CLIP
7		9967741		2	NUT, RING
8		9968054		2	BEARING, ROLLER, TAPERED
9		9967734		2	PLATE, DRIVE
10		85807991		1	KIT

B115B

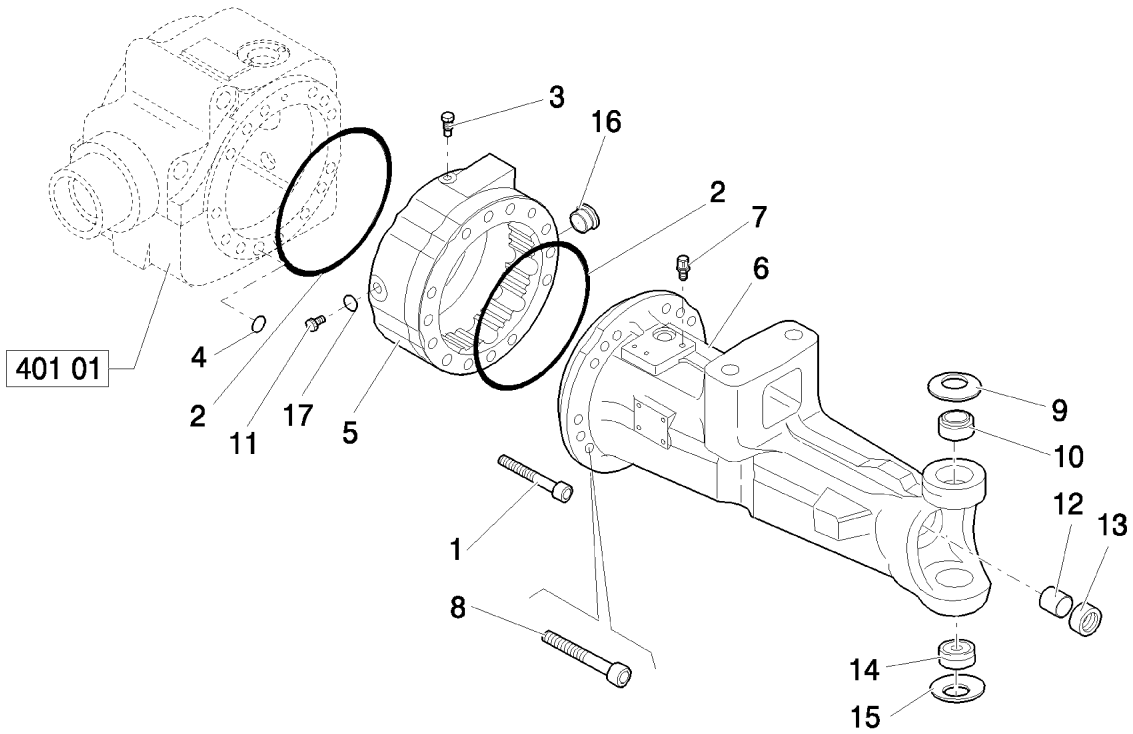
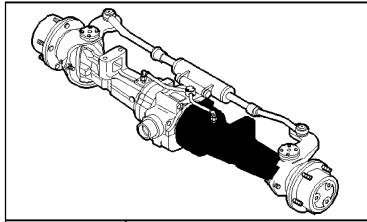
401

02

p1

03/08

REAR AXLE, LH HOUSING & BUSHINGS (4WS)

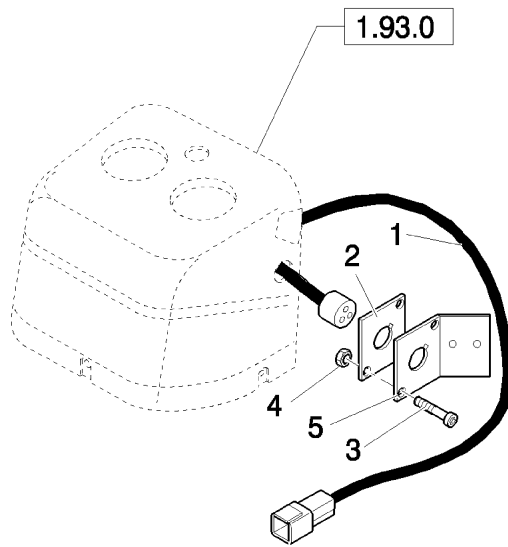
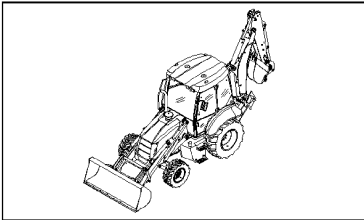


REAR AXLE, DIFFERENTIAL (STANDARD) (4WS)

REF	FN	PART NUMBER	YR/SN	QTY	DESCRIPTION
1		85827752		1	HOUSING
2		85812301		4	WASHER, THRUST
3		85812300		2	PIN
4		85812308		10	SCREW, M10x90
5		9967739		2	SCREW, M6 x 10
6		85817785		2	CLIP
7		85827745		2	NUT, RING
8		85827751		2	BEARING, ROLLER, TAPERED
9		85812343		2	PLATE, DRIVE
10		87542772		1	KIT
11		85812306		2	PIN, ROLL
12		85827758		2	BUSHING

B115B

SYSTEM HAMMER COMPONENTS (CAB - ROPS)



470	01	p1	03/08
-----	----	----	-------

BUCKET 6X1 (1,15 M³) WITH TINE "COMMON GREY"

REF	FN	PART NUMBER	YR/SN	QTY	DESCRIPTION
1		83416242		2	NIPPLE, LUBE
2		85820819		2	HOSE, FLEXIBLE, L=800 mm
3		85801470		8	NUT, 5/8"-11, G8
4		85811440		8	SHANK, BUCKET TOOTH, 6x1
5		85801371		8	BOLT, PLOW, 5/8"-11 x 2 1/4"

B115B

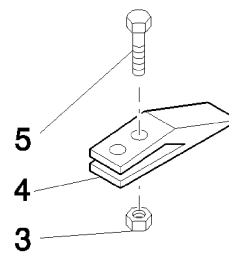
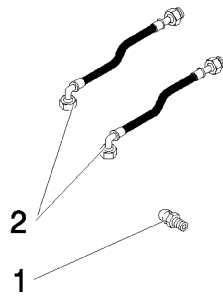
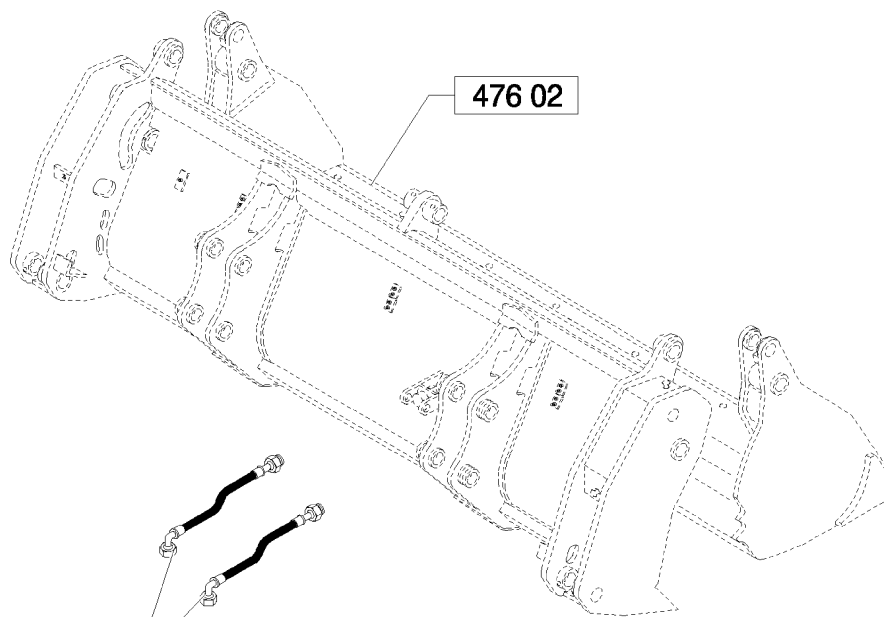
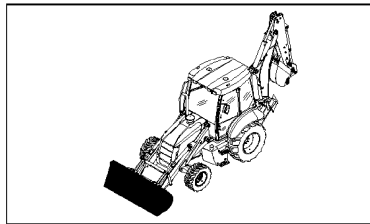
476

01

p1

03/08

BUCKET 4X1 (1,15 M³) WITH TINE "COMMON GREY"



12" (305MM) BACKHOE BUCKET WITH BOLT-ON TEETH - EU

REF	FN	PART NUMBER	YR/SN	QTY	DESCRIPTION
1		85811440		1	SHANK, BUCKET TOOTH
2		83910634		6	BUSHING
3		85801371		6	BOLT, PLOW, 5/8"-11 x 2 1/4"
4		85801470		8	NUT, 5/8"-11, G8
5		10520211		2	WASHER
6		83904658		2	SCREW, 5/8"-11X1.75
7		85801377		1	TOOTH, BUCKET, RH
8		85801376		1	TOOTH, BUCKET, LH
9		87593057		1	BUCKET, Assy

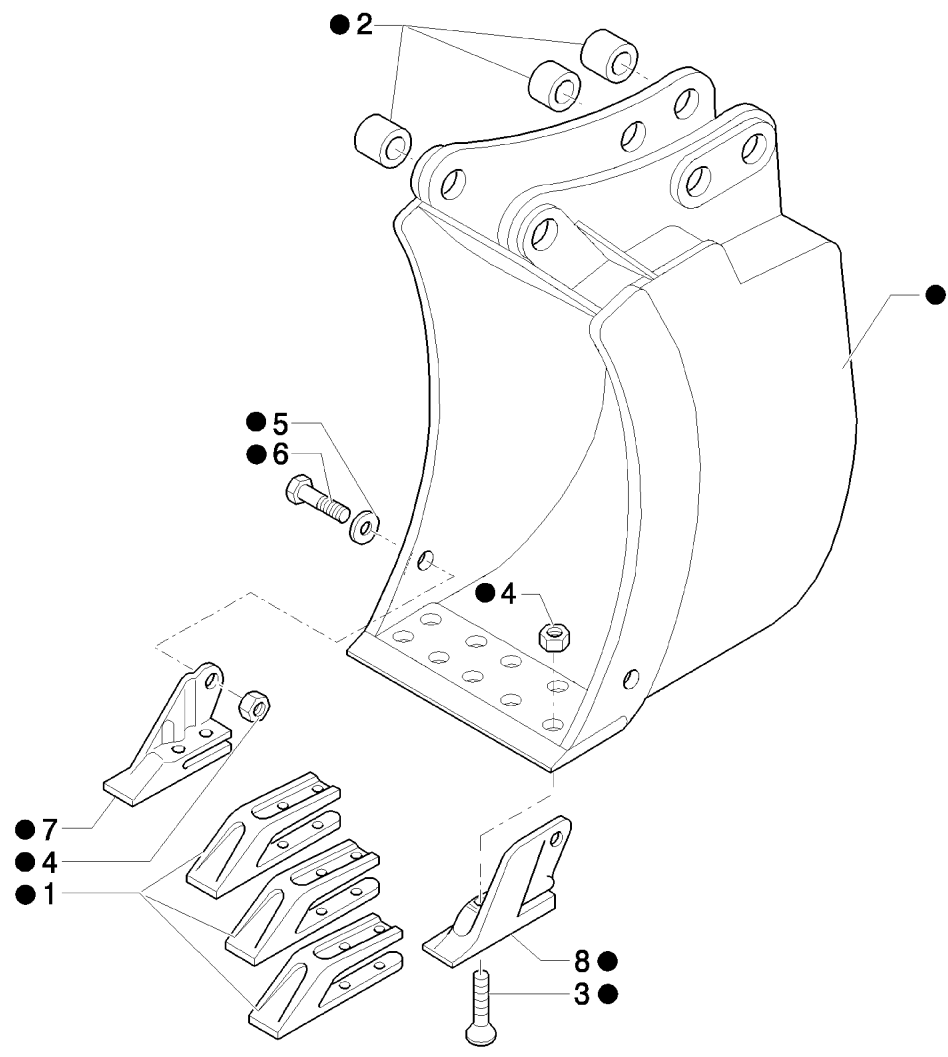
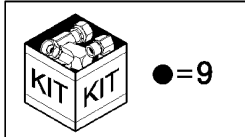
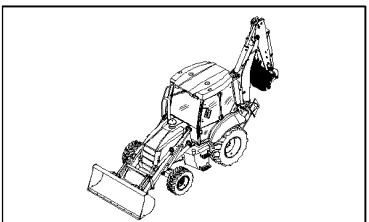
B115B

518

p1

04/08

30" (762MM) BACKHOE BUCKET WITH BOLT-ON TEETH - EU



24" (610MM) BACKHOE BUCKET WITH PIN TEETH (EXTRA HD) - NA

REF	FN	PART NUMBER	YR/SN	QTY	DESCRIPTION
1		83910634		6	BUSHING
2		85801098		4	RING
3		85801097		4	PIN
4		85811432		4	TOOTH, BUCKET
5		85821788		4	SHANK, BUCKET TOOTH
6		87659514		1	BUCKET, Assy

B115B

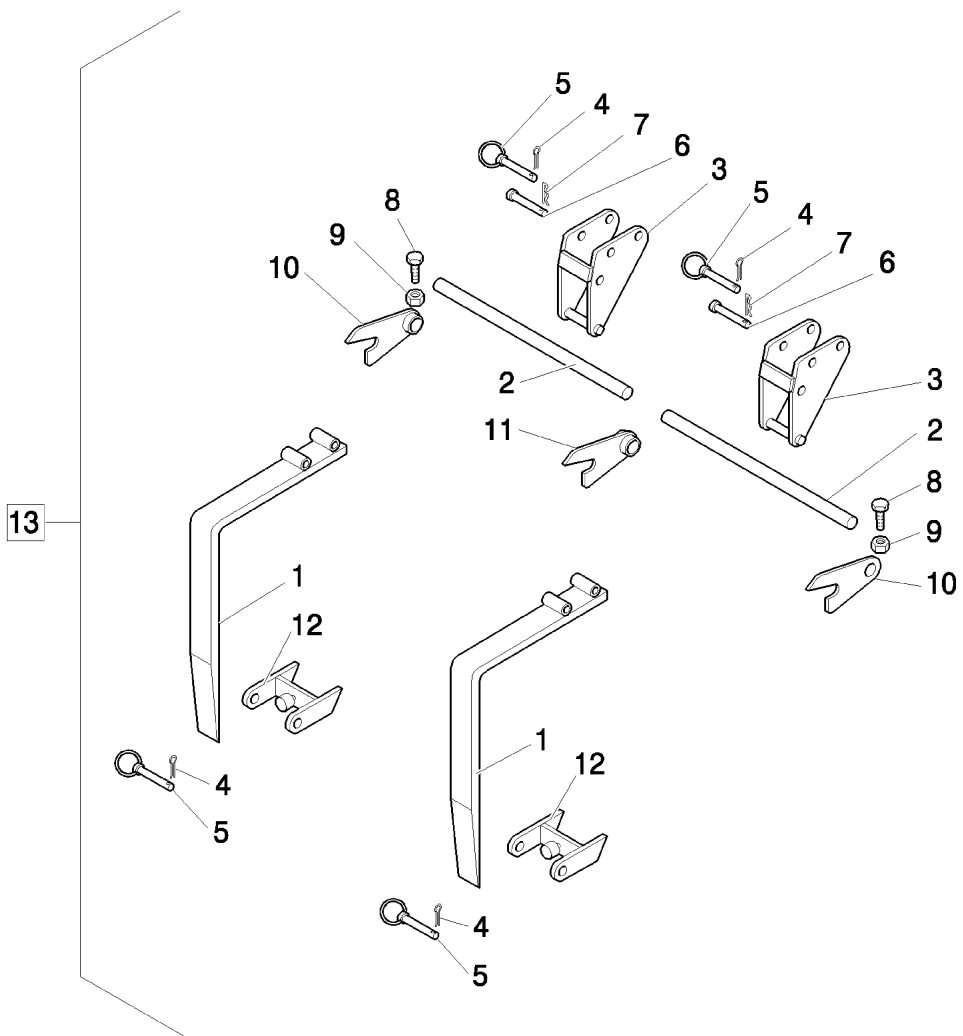
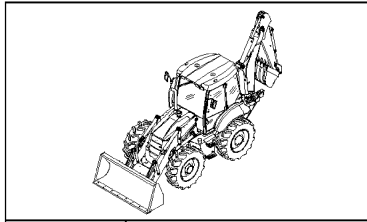
534

02

p1

04/08

1,15 M3 BUCKET WITH FORKS AND REVERSIBLE ADDITIONAL BLADE: FORKS BREAKDOWN



636	07	p1	03/08
-----	----	----	-------

ENGINE VERSION: STARTER MOTOR

REF	FN	PART NUMBER	YR/SN	QTY	DESCRIPTION
1		86992395		1	MOTOR, STARTER
2		86511845		1	BOLT, Hex Flg, M10 x 35, 8.8

B115B

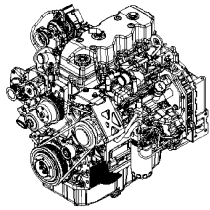
638

05

p1

03/08

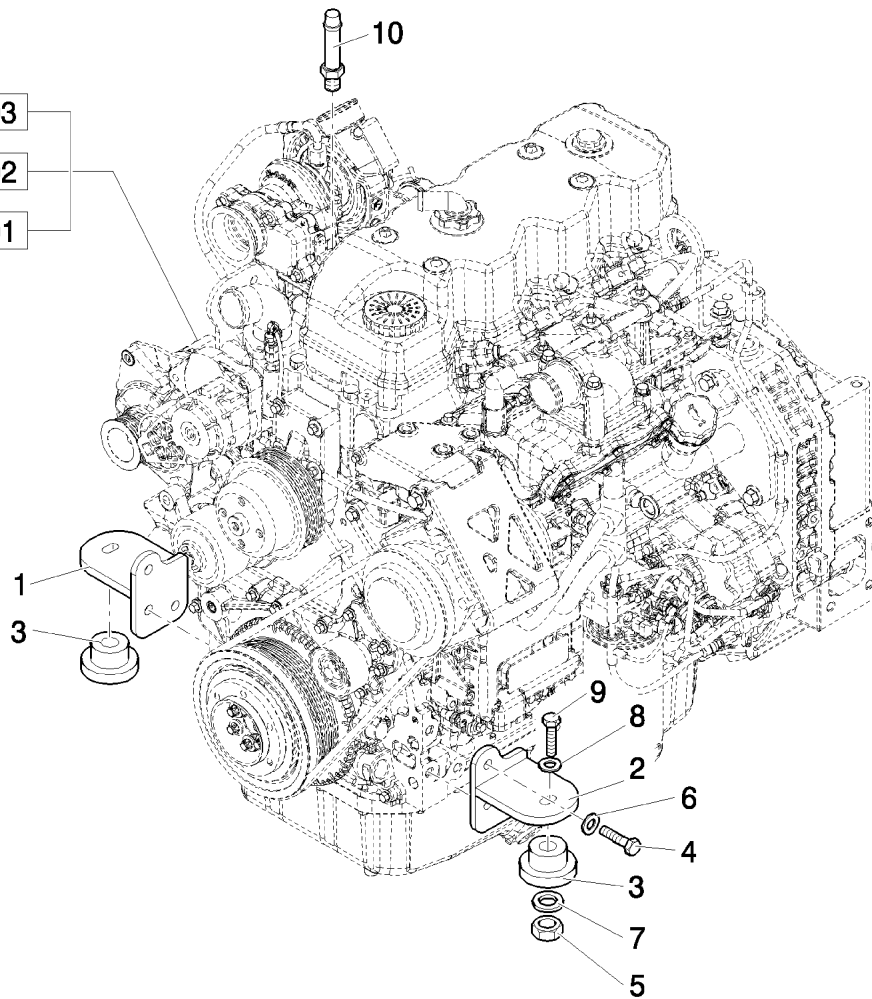
ENGINE VERSION: SUPPORTS



0.02.1/03

0.02.1/02

0.02.1/01



COOLANT RADIATOR, HYDRAULIC FLUID AND TRANSMISSION OIL

REF	FN	PART NUMBER	YR/SN	QTY	DESCRIPTION
1		87673335		1	CAP
2		87673347		1	HOSE
3		87673334		1	KIT
4		87528978		1	HOSE
5		87673346		1	BOWL
6		87675597		1	HOSE
7	1	87310155		1	RADIATOR
8		87407272		1	HOSE
9		87683149		1	SHROUD
10		87016893		1	FITTING, 1/4" Hose X 1/4" NPTF Beaded
11	2	87410099		1	COOLER, OIL
12		87670081		1	RADIATOR

- (1) Water
- (2) Oil Cooler

With Air Conditioner

B115B

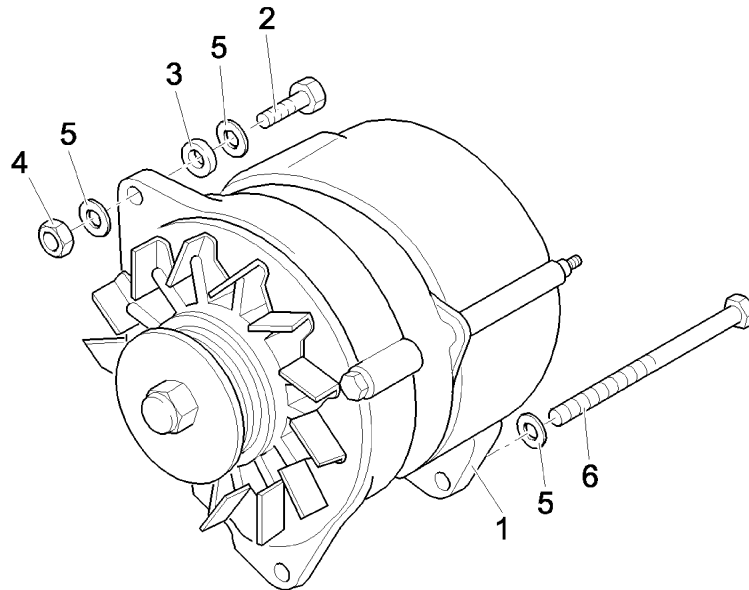
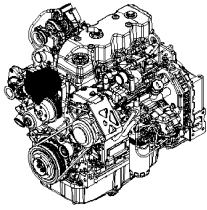
639

08

p1

03/08

ACCESSORY ENGINE



A/C FILTER & CONDENSER ATTACHING GROUP

REF	FN	PART NUMBER	YR/SN	QTY	DESCRIPTION
1		14496534		4	WASHER
2		16043421		2	SCREW, Hex, M8 x 20, 8.8
3		16104111		2	NUT, LOCK, M8 x 1.25, CI 8
4		87315252		1	BRACKET
5		85819184		7	SCREW
6		85804065		1	SENDER UNIT, Assy
7		87630384		1	BRACKET
8		87646126		1	BRACKET
9		87630386		1	BRACKET, RH
10		87630383		1	BRACKET, LH
11		87315236		1	BRACKET
12		87315239		2	CLAMP, HOSE
13		87314566		1	CONDENSER
14		87315241		1	FILTER, CAB
15		16043621		4	BOLT, Hex, M8 x 25, 8.8
18		14040711		4	WASHER
16		85819185		1	GASKET
17		11054990		1	FUSE, 10 Amp
19		85821537		1	RELAY
20		87569316		1	EXTENSION

B115B

TELESCOPIC DIPPER AT PEDAL CONTROL: CONTROL VALVE SYSTEM, SWING COLUMN: EU

REF	FN	PART NUMBER	YR/SN	QTY	DESCRIPTION
1		85819066		1	HOSE, HYDRAULIC
2		85805258		1	CONNECTOR, HYD., 9/16"-16 ORS x 1 1/16"-12, O-Ring
3		83962539		1	CONNECTOR, HYD.
4		85819067		1	HOSE, HYDRAULIC

Mechanical Version

B115B

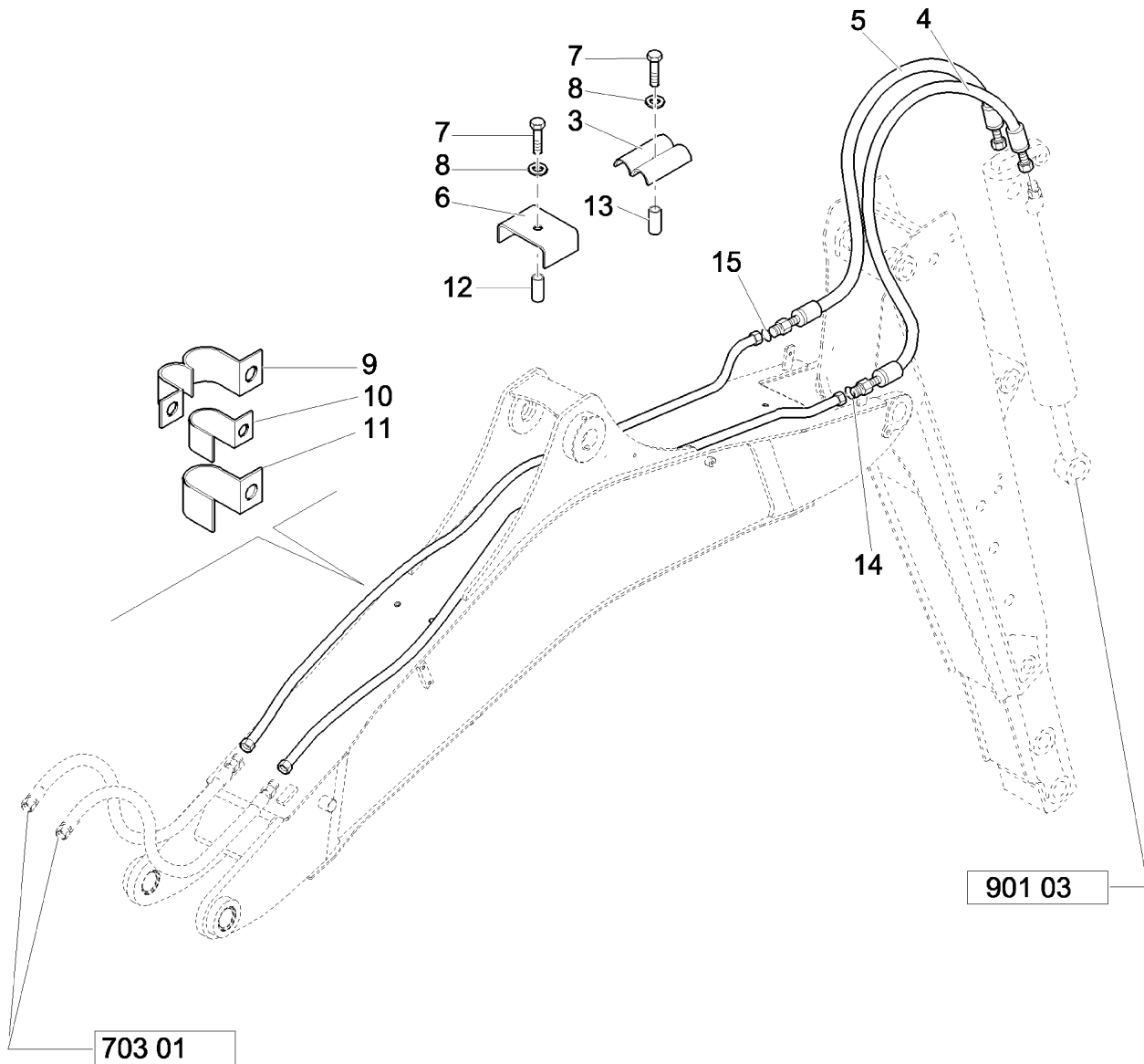
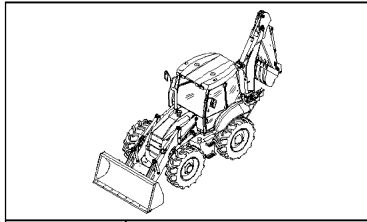
703

03

p1

03/08

TELESCOPIC DIPPER AT PEDAL CONTROL: CONTROL VALVE SYSTEM, SWING COLUMN



724/ A

p1

03/08

REAR HAMMER CONTROL VALVE

REF	FN	PART NUMBER	YR/SN	QTY	DESCRIPTION
1		87677466		1	VALVE, HYDRAULIC, ASSY
2		9970181		1	KIT, SEALS, Gaskets
3		87358201		1	VALVE, HYDRAULIC, ASSY
4		87358194		1	VALVE, HYDRAULIC, ASSY
5		9970179		1	REGULATOR, Assy
6		9970384		1	NUT
7		87357715		1	SENDER UNIT

B115B

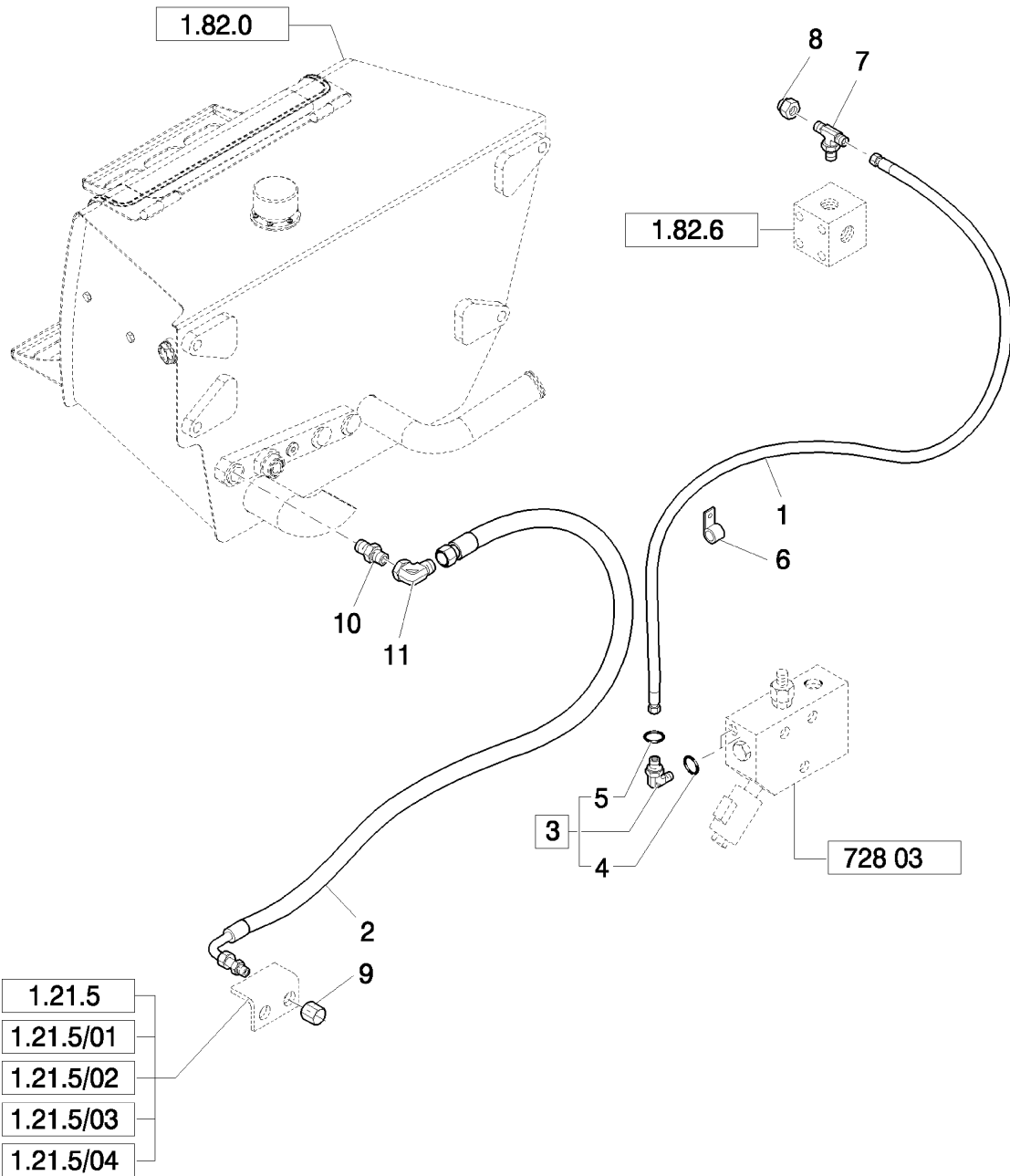
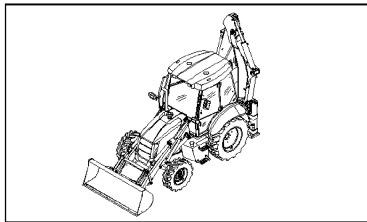
728

02

p1

04/08

HAND HAMMER SYSTEM: RETURN



LAMPS & LIGHTS - CAB

REF	FN	PART NUMBER	YR/SN	QTY	DESCRIPTION
1		85819200		2	HEADLAMP, Includes H3 12V 55W Bulb, Order 9703399 For Bulb
2		85819192		2	BRACKET, LH
3		11197774		4	WASHER, SPRING, Belleville, M6.4
4		16044324		2	BOLT, Hex, M8 x 55, 8.8
5		16104111		2	NUT, LOCK, M8 x 1.25, Cl 8
6		10902124		4	BOLT, Hex, M6 x 14, 8.8, Full Thd

B115B

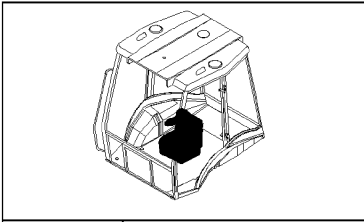
851/01

03

p1

04/08

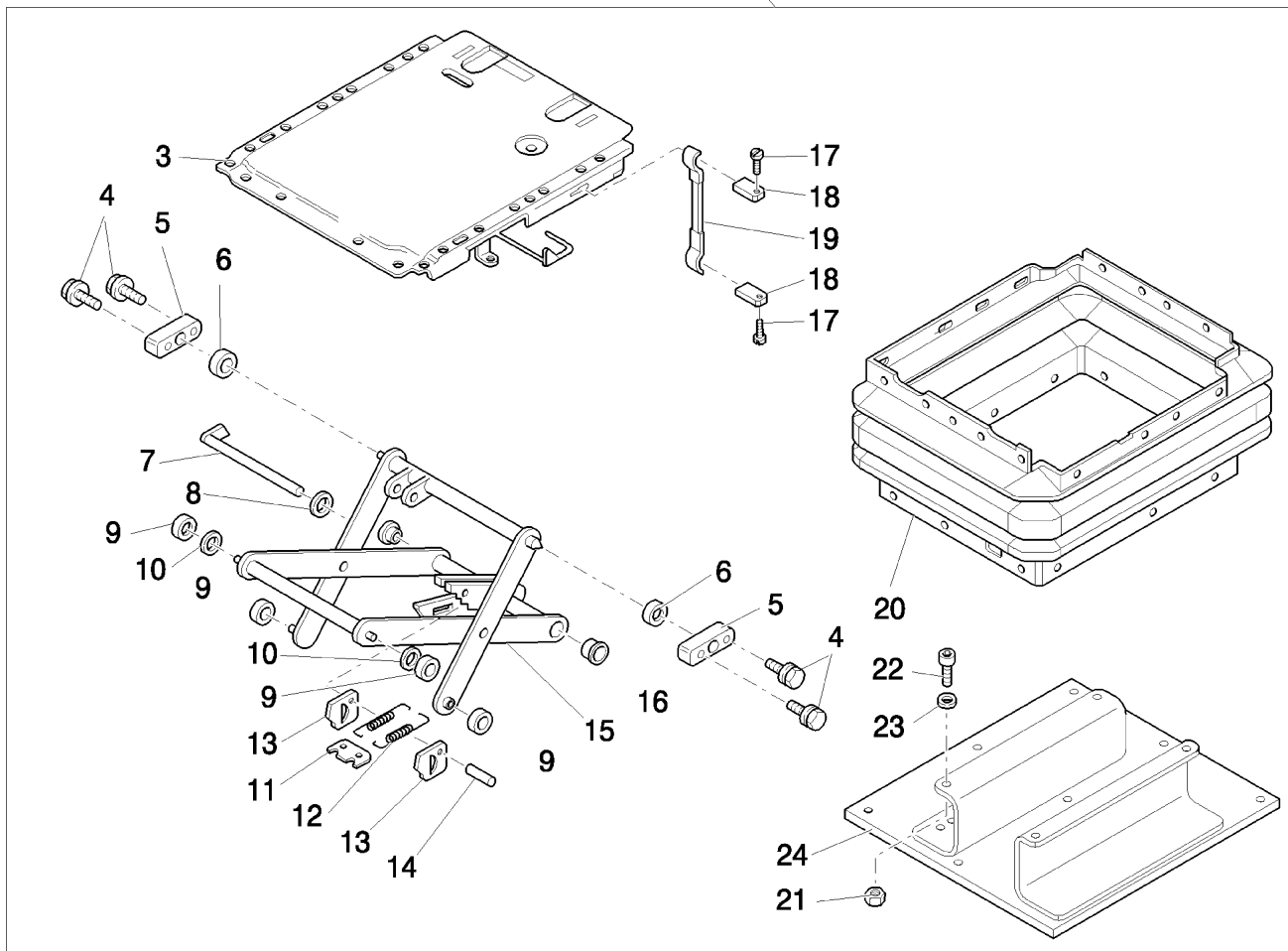
CLOTH SEAT UPPER SUSPENSION PARTS



1



2 SEE ALSO TAV. 851/01 04



AIR RIDE CLOTH SEAT MOUNTING PLATE, ADJUSTING RAILS & SEAT BELT

REF	FN	PART NUMBER	YR/SN	QTY	DESCRIPTION
1	1	87576861		1	SEAT, Assy
1	1	87576862		1	SEAT, Assy
1	2	87576868		1	SEAT, Assy
1	2	87576869		1	SEAT, Assy
2	3	71485488		1	CONTROL
3		85817463		1	PLATE
4	4	85817464		1	SCREW, ADJUSTMENT
5		9962962		1	SCREW, M5 x 10
6		85817484		1	KIT
7		85817458		8	NUT
8		9960692		AR	SPACER
9		9958776		8	SPACER
10		82034881		AR	WASHER
11		9972160		AR	SCREW, M8x25
12		85824204		1	BRACKET
13		82034893		AR	SCREW
14	5	87395588		1	PLATE
15		85817536		4	SCREW
16		85817456		4	SPACER
17	6	87364220		1	SEAT BELT
17	7	87364221		1	SEAT BELT
18		85817482		1	KNOB
19		85819813		1	BUSHING

- (1) Mechanical Control Version
(2) Only for Pilot Control Version
(3) Includes 4
(4) Includes 3, 5
(5) Includes 18
(6) 2" Seat Belt
(7) 3" Seat Belt

B115B

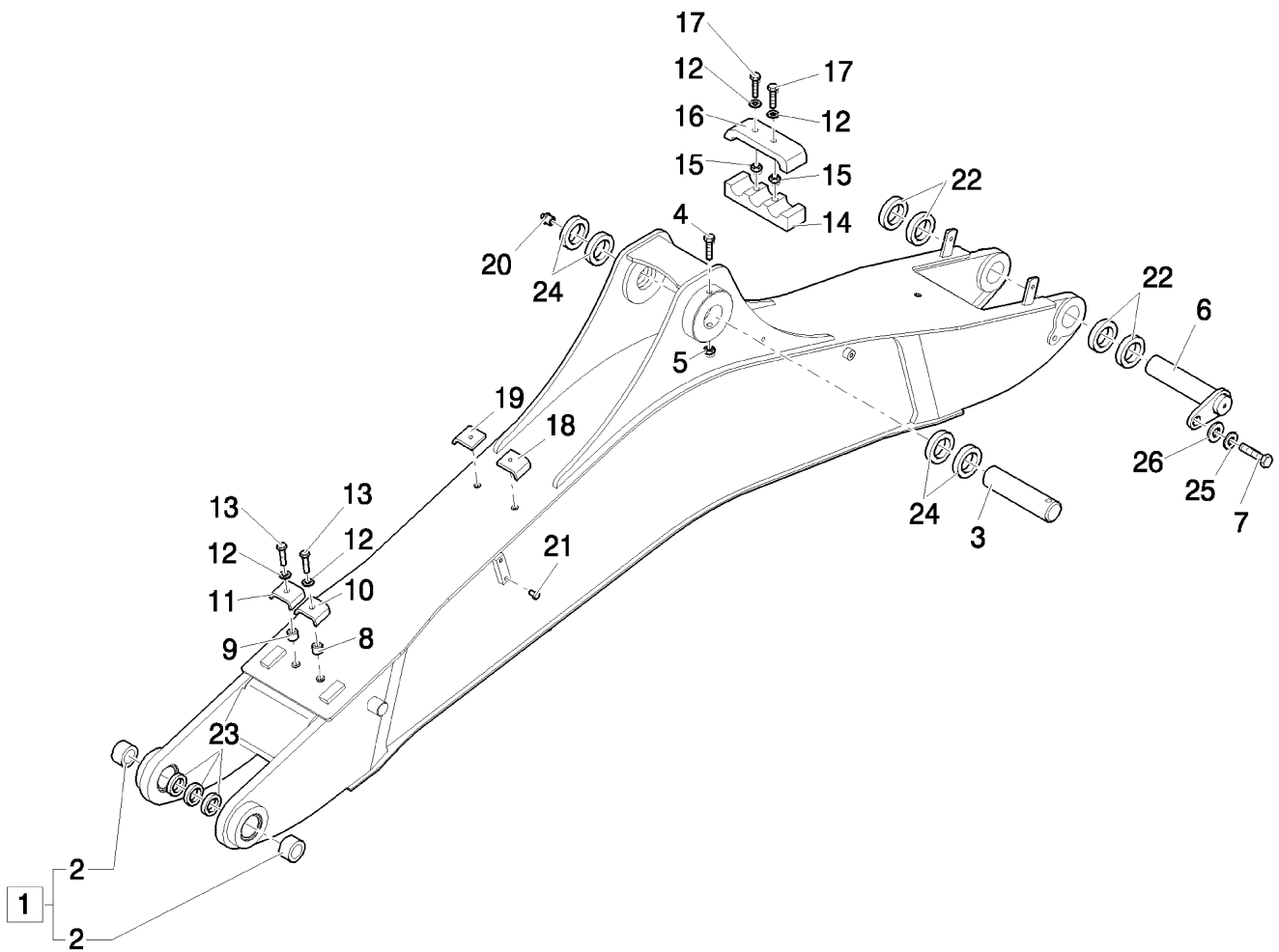
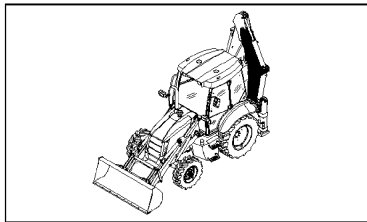
900

02

p1

04/08

BOOM - LONG DIPPER



900	07	p1	04/08
-----	----	----	-------

DIPPER: BOOM CYLINDER HYDRAULIC SYSTEM

REF	FN	PART NUMBER	YR/SN	QTY	DESCRIPTION
1		87624533		1	PIPE
2		85816813		1	TUBE, HYD
3		83962538		1	CONNECTOR, HYD., Assy, 1-3/16"-12 ORS x 1-1/16"-12 SAE O-Ring
4		83962539		1	CONNECTOR, HYD.
5		85802744		1	CLAMP, HOSE
6		87303912		2	BLOCK
7		80167266		1	O-RING, 90 Duro, .924" ID x .116" Thk
8		89991976		1	O-RING, 90 Duro, .739" ID x .070" Thk

B115B

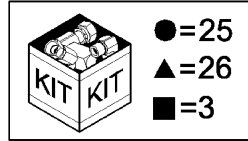
901

02

p1

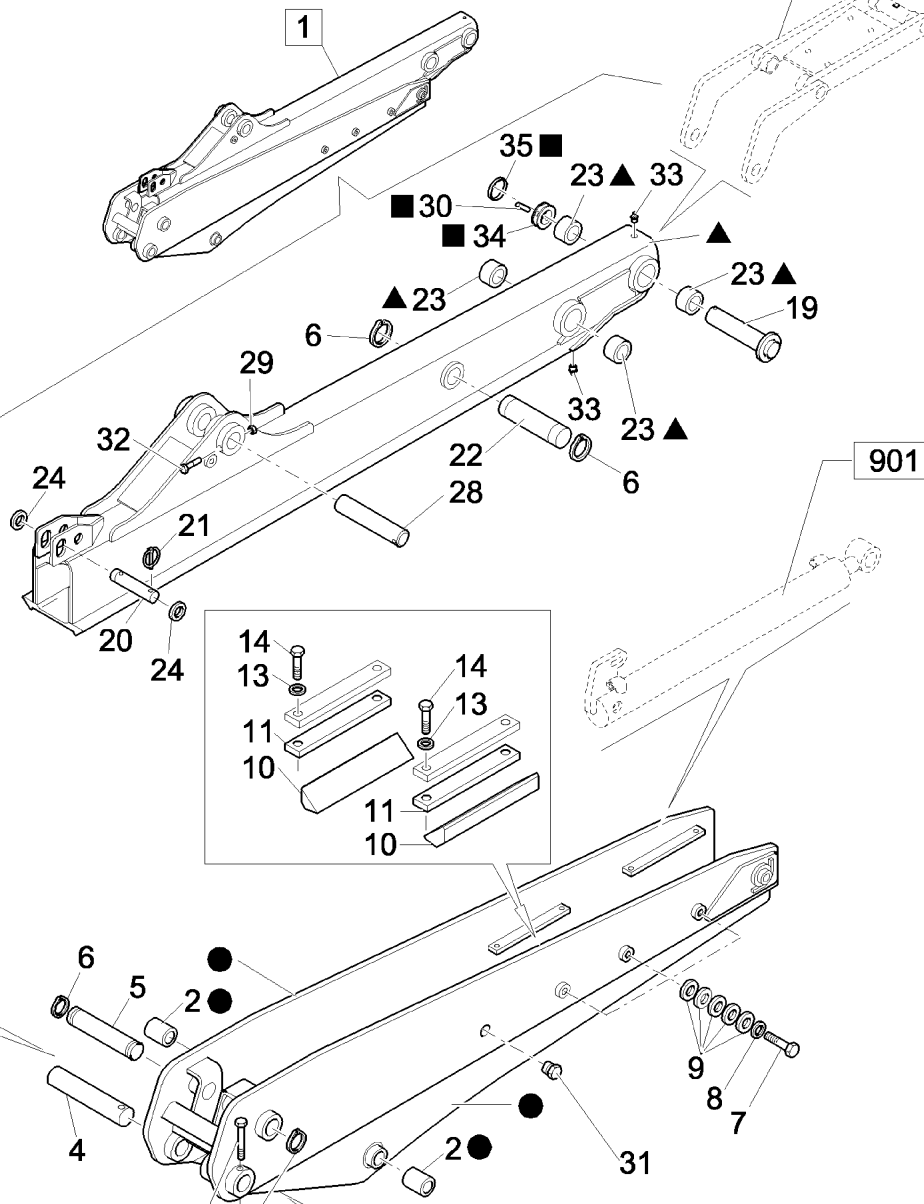
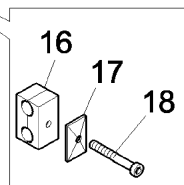
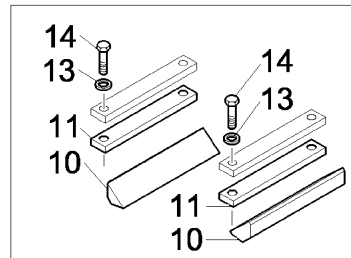
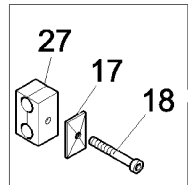
05/08

TELESCOPIC DIPPER LONG



900 04

901 04



CAB WARNING & INFORMATION DECALS (SIDE SHIFT) - EU

REF	FN	PART NUMBER	YR/SN	QTY	DESCRIPTION
-----	----	-------------	-------	-----	-------------

1		85819403		1	DECAL
1	1	85819404		1	DECAL

(1) Only for B115B

	B115B
--	--------------

INDEX - INDICE - INDEX - ZAHLENVERZEICHNIS - INDICE - INDICE - INHOLD - INHOUD

Number	Figure	Sequence	Ref.	Number	Figure	Sequence	Ref.
16044221	1.82.6	17	4	16105011	1.28.0		12
	341	04	11		638	05	5
	341	04	14		639	05	5
	900	02	13		860		7
	900	06	6		900	02	5
16044321	391		5		900	03	9
16044324	1.91.7		4		901	02	12
	1.91.7/02		4		901	02	29
	793		3	16105111	1.92.9	02	2
	794		4	1986905C1	900	11	5
16044421	1.82.6	16	6	1986906C1	900	11	14
	1.88.11/07B		25	201-112	1.82.6	12	2
	900	02	17	218-5053	700/01	02	3
16044521	728	01	1	218-5057	700/01	02	4
16044821	1.88.11/07B		19	225315C1	331/ C	01	6
	724	01	4		331/ C	02	6
	724/01	01	4		333/ C	01	6
16045021	725		6		341/ C		6
16100810	1.83.0	02	19	225318C1	331/ C	01	7
16100811	1.83.0	03	3		331/ C	02	7
	128	01	3		333/ C	01	7
	128	02	3		341/ C		7
	129	01	8	225350C1	333/ C	01	11
	130	01	3		333/ C	02	11
	130	02	3		341/ C		14
	140	04	3	225353C1	333/ C	01	12
	140	05	3		333/ C	02	12
	141	04	3		341/ C		15
	141	05	3	238-5231	901	04	21
	331	02	7	238-5235	900	11	4
16100821	1.15.0	01	14	238-5247	900	10	9
16101511	350	01	5	238-5249	900	09	12
	358	01	10	276-2456	1.88.11/09	02	15
	394	01	9	2830082	0.04.0/01		1
16101521	129	07	2	2830222	0.06.6/01		7
16102211	129	07	9	2830433	0.10.5	01	7
	646	02	18	2830444	0.07.7/01		2
16102311	1.88.12/03		3	2830559	0.31.5/01		10
	350	02	4	2830706	0.06.0/01		17
	351	02	5	2830707	0.06.0/01		17
	351	03	5	2830948	0.10.5	02	3
	358	02	4	2831031	0.10.5	01	8
	394	02	4	2831266	0.06.0/01		3
	394	03	13	2831287	0.06.0/01		7
	702	07	13	2831297	0.08.1/01		3
	703	05	13	2831298	0.08.1/01		1
	727		13	2831302	0.10.5	02	6
16102411	1.91.5	02	6	2831303	0.10.5	02	5
16102911	1.88.12/03		2	2831305	0.10.5	02	1
	350	02	5	2831354	0.10.5	01	9
	351	02	4	2852012	0.04.2/01		7
	351	03	4	2852016	0.04.2/01		8
	358	02	7	2852047	0.32.0		2
	394	02	5	2852049	0.08.3		1
	394	03	9	2852051	0.08.3		2
	702	07	14	2852054	0.08.4		3
	703	05	14	2852071	0.24.0/02		5
	727		14	2852072	0.24.0/02		4
16104111	1.75.2/01	03	3	2852100	0.30.5/01		13
	1.75.2/04	03	3	2852101	0.30.5/01		14
	1.82.6	02	16	2852114	0.32.0		1
	1.83.0	03	8	2852161	0.34.0/01		2
	1.87.2		9	2852162	0.34.0/01		3
	1.91.7		5	2852170	0.34.5		1
	1.91.7/02		5	2852171	0.34.5		5
	1.92.9	02	6	2852172	0.34.5		6
	1.92.9	03	7	2852180	0.40.0/01		1
	1.94.0		3	2852181	0.32.3/01		4
	351	03	13	2852195	0.30.5/01		8
	394	03	5	2852196	0.30.5/01		15
	646	04	3	2852197	0.30.5/01		12
	702	07	6	2852202	0.04.0/01		17
	703	05	6	2852234	0.04.2/01		1
	727		6		0.14.0/01	01	13
	793		5	2852267	0.07.1/01		7
	794		5	2852281	0.04.2/01		4
	995		5	2852282	0.04.2/01		9
16104511	1.92.6	03	11	2852428	0.06.6/01		12

CLICK HERE TO **DOWNLOAD** THE COMPLETE MANUAL

- Thank you very much for reading the preview of the manual.
- You can download the complete manual from: www.heydownloads.com by clicking the link below



- Please note: If there is no response to CLICKING the link, please download this PDF first and then click on it.

CLICK HERE TO **DOWNLOAD** THE COMPLETE MANUAL