

**SERVICE
PARTS
CATALOG**

MODEL 851 ROUND BALER

ISSUE 2 - 82

(REPLACES ALL PREVIOUS ISSUES)

SPERRY  NEW HOLLAND

CLICK HERE TO **DOWNLOAD** THE COMPLETE MANUAL

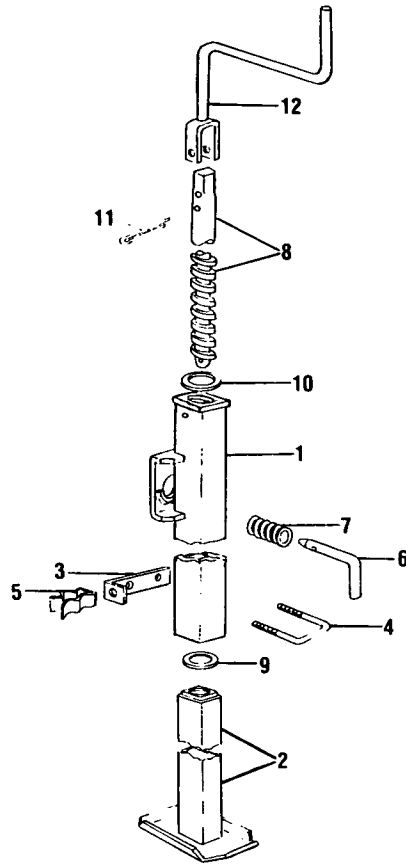
- Thank you very much for reading the preview of the manual.
- You can download the complete manual from: www.heydownloads.com by clicking the link below



- Please note: If there is no response to CLICKING the link, please download this PDF first and then click on it.

CLICK HERE TO **DOWNLOAD** THE COMPLETE MANUAL

MODEL 851 ROUND BALER
JACK ASSEMBLY



Ref. No.	Part No.	No. Used	Description
	634690		JACK ASSEMBLY --- Replaces 132425
1	626502	1	Jack Weld Assembly
			1 87414 Lube Fitting, 1/4"-28, Straight
2	218788	1	Tube Weld Assembly, Inside
* 3	217392	1	Bracket
* 4	217391	1	"U" Bolt
			2 280129 Hex Locknut, 1/4"
* 5	163902	1	Spring Clip
			1 88165 Cap Screw, Hex Head, Grade 5, 1/4" x 5/8"
			1 84922 Speed Nut, "U" Type, 1/4"
6	128375	1	Jack Pin
			1 87455 Spring Pin, 1/8" x 1"
7	26538	1	Spring
8	218784	1	Jack Screw Weld Assembly
			1 87336 Spring Pin, 3/16" x 7/8"
9	50600	1	Plain Washer, Special
10	67469	1	Plain Washer, Special
11	87398	1	Cotter Pin, 3/16" x 1 1/4"
12	169703	1	Crank Weld Assembly
			1 87406 Roll Pin, 1/4" x 1 1/2"
			1 88436 Cap Screw, Hex Head, Grade 5, 3/8" x 2"
			2 80702 Plain Washer, 3/8"
			1 88902 Hex Locknut, 3/8"

* Used on or Below Serial No. 590920

NOTES

MODEL 851 ROUND BALER
DRIVE GROUP
USED ON AND ABOVE SERIAL NO. 590921

Ref. No.	Part No.	No. Used		Description
		540 RPM	1000 RPM	
1	600796	1		Sprocket, 31 Tooth 5 88011 Cap Screw, Hex Head, Grade 5, 3/8" x 1 1/4" 5 80680 Lockwasher, 3/8"
	708479		1	Sprocket, 20 Tooth 5 87657 Cap Screw, Hex Head, Grade 5, 5/16" x 1 1/4" 5 80681 Lockwasher, 5/16"
2	578661	1		Sheave 1 87251 Set Screw, Square Head, Cone Point, 3/8" x 1 1/4" 1 84969 Hex Jam Nut, 3/8"
	708243		1	Sheave 1 87251 Set Screw, Square Head, Cone Point, 3/8" x 1 1/4" 1 84969 Hex Jam Nut, 3/8"
3	708177	1		Belt, Banded "V"
	708176		1	Belt, Banded "V"
4	578663	1	1	Sheave 1 715076 Gib Key, 5/16" x 2 1/8" 2 87532 Set Screw, Square Head, Cup Point, 3/8" x 1 1/4" 2 84969 Hex Jam Nut, 3/8"
5	26402	12	12	Washer, Special
6	601311	1	1	Arm Weld Assembly, Includes Ref. No. 8 1 87395 Cotter Pin, 1/8" x 1 1/4"
7	141451	2	2	Bushing
8	12432	2	2	Bushing
9	619408	1	1	Pin
10	00012	1	1	Spring
11	36835	2	2	Eyebolt 4 84944 Hex Nut, 3/8"
12	165271	2	2	Idler, Sprocket 2 87975 Cap Screw, Hex Head, Grade 5, 1/2" x 2 1/4" AR 80700 Washer, 1/2" 2 80679 Lockwasher, 1/2" 2 84946 Nut, 1/2"
13	633348	1	1	Link Weld Assembly
14	630034	1	1	Arm Weld Assembly, Includes Ref. No. 7 1 88206 Cap Screw, Hex Head, Grade 5, 3/8" x 1" 1 80680 Lockwasher, 3/8"
15	608334	1	1	Idler, Belt (Includes 1 pc. of Ref. No. 16) 1 87338 Cap Screw, Hex Head, Grade 5, 5/8" x 3" 7 80299 Plain Washer, 5/8" 1 84057 Lockwasher, 5/8" 1 84947 Hex Nut, 5/8"
16	66553	1	1	Ball Bearing
17	32379	1	1	Spring
18	56181	1	1	Spring
19	701770	1	1	Cable Assembly 2 84943 Hex Nut, 5/16"
20	578850	2	2	Bushing
21	701771	1	1	Pivot Weld Assembly 3 84239 Plain Washer, 3/4" 1 80754 Cotter Pin, 3/16" x 1 1/2"

CONTINUE

MODEL 851 ROUND BALER
HYDRAULIC SYSTEM

Ref. No.	Part No.	No. Used	Description
1	713418	2	Hose Assembly, 3/8" x 96" (2438.4mm)(Includes (1) Ref. No. 2)
2	128825	4	"O" Ring
3	703608	1	Strap
4	42365	4	Clamp
			1 88950 Machine Bolt, Hex Head, Full Thread, 3/8" x 1 3/4"
			2 88011 Cap Screw, Hex Head, Grade 5, 3/8" x 1 1/4"
			10 80702 Plain Washer, 3/8"
			1 84944 Hex Nut, 3/8"
			2 80680 Lockwasher, 3/8"
			3 88902 Hex Locknut, 3/8", Grade C
5	717844	1	Valve Assembly, Hydraulic Lockout(See Page 43 for Component Breakdown)
			1 87626 Cap Screw, Hex Head, Grade 5, 5/16" x 2 3/4"
			1 88310 Cap Screw, Hex Head, Grade 5, 5/16" x 1 3/4"
			2 80664 Plain Washer, 5/16"
			2 80681 Lockwasher, 5/16"
6	167503	2	Connector, Rigid Female, 3/4"-16 SAE (M) x 3/8" NPTF (F)
7	87628	2	Pipe Bushing, Hex Reducing, 3/8" x 1 1/4"
8	707858	2	Fitting Tee, Male
9	N.S. *711827	1	Tube Assembly, 3/8" Right Hand (Includes (2) Ref. Nos. 13 & 14)
	N.S. **618473	1	Tube Assembly, 3/8" Right Hand (Includes (2) Ref. Nos. 13 & 14)
10	N.S. *704627	1	Tube Assembly, 3/8" Right Hand (Includes (2) Ref. Nos. 13 & 14)
	N.S. **618471	1	Tube Assembly, 3/8" Right Hand (Includes (2) Ref. Nos. 13 & 14)
11	N.S. *711826	1	Tube Assembly, 3/8" Left Hand (Includes (2) Ref. Nos. 13 & 14)
	N.S. **618472	1	Tube Assembly, 3/8" Left Hand (Includes (2) Ref. Nos. 13 & 14)
12	N.S. **704626	1	Tube Assembly, 3/8" Left Hand (Includes (2) Ref. Nos. 13 & 14)
	N.S. **618470	1	Tube Assembly, 3/8" Left Hand (Includes (2) Ref. Nos. 13 & 14)
13	514929	12	Tube Ferrule, 3/8"
14	514926	12	Tube Nut, 3/8"
15	252309	6	Clamp
16	139393	8	Clip
			2 280225 Machine Screw, Self-Tapping, Hex Head, 1/4" x 1"
			6 280112 Cap Screw, Hex Head, Grade 5, 1/4" x 1 1/2"
			2 80702 Plain Washer, 1/4"
			2 80682 Lockwasher, 1/4"
			4 280129 Hex Locknut, 1/4"
17	575024	2	Hose Assembly, 3/8" x 34" (863.6mm)
18	717923	2	Hose Assembly, 3/8" x 36" (914.4mm)
19	575388	2	Tube Assembly, 3/8" (Includes (2) Ref. Nos. 13 and 14)
20	707859	2	Elbow, 90° Male
21	591390	2	Cylinder Assembly (See Page 42 for Component Breakdown)
			4 87367 Plain Washer, 1"
			1 87399 Cotter Pin, 3/16" x 1 3/4"
			2 80731 Cotter Pin, 3/8" x 2 1/2"
22	610320	2	Spacer
23	26402	4	Washer, Special
24	235131	2	Elbow, 90° Male
25	58880	2	Clamp, Tube Retaining
26	577910	2	Lock-Out Assembly, Tailgate Cylinder (Includes (1) Ref. No. 27)
27	128104	2	Bumper, Rubber
28	*572492	2	Arm Weld Assembly
	**611840	2	Arm
			2 80756 Cotter Pin, 1/8" x 3/4"
			2 88206 Cap Screw, Hex Head, Grade 5, 3/8" x 1"
			2 84944 Nut, 3/8"
29	32306	2	Spring

N.S. - Not Serviced, use hydraulic tubing repair sections. Refer to Standard Parts Catalog for Part Numbers and Instructions.

* Used on and Below Serial No. 536390

** Used on and Above Serial No. 536391

CLICK HERE TO **DOWNLOAD** THE COMPLETE MANUAL

- Thank you very much for reading the preview of the manual.
- You can download the complete manual from: www.heydownloads.com by clicking the link below



- Please note: If there is no response to CLICKING the link, please download this PDF first and then click on it.

CLICK HERE TO **DOWNLOAD** THE COMPLETE MANUAL

MODEL 851 ROUND BALER
TAILGATE GROUP (CONTINUED)

Ref. No.	Part No.	No. Used	Description
44	572092	1	Shield, Right Hand 6 87667 Machine Screw, Self-Tapping, Hex Head, Type "B", 1/4" x 1/2" 4 88573 Cap Screw, Hex Head, Grade 5, 1/4" x 3/4" 4 80682 Lockwasher, 1/4" 4 87361 Plain Washer, 1/4"
45	*703141	1	Shield Weld Assembly, Right Hand 4 677808 Machine Screw, Thread Forming, Hex Serrated Head, 1/4" x 5/8"
	**609178	1	Shield Weld Assembly, Right Hand 4 87667 Machine Screw, Self-Tapping, Hex Serrated Head, 1/4" x 1/2"
46	572091	1	Shield, Left Hand 6 87667 Machine Screw, Self-Tapping, Hex Head, Type "B", 1/4" x 1/2" 4 88573 Cap Screw, Hex Head, Grade 5, 1/4" x 3/4" 4 80682 Lockwasher, 1/4" 10 87361 Plain Washer, 1/4"
47	*703140	1	Shield Weld Assembly, Left Hand 4 677808 Machine Screw, Thread Forming, Hex Serrated Head, 1/4" x 5/8"
	**609179	1	Shield Weld Assembly, Left Hand 4 87667 Machine Screw, Self-Tapping, Hex Head, Type "B", 1/4" x 1/2"
48	129365	1	Hairpin Cotter

* Used on and below Serial No. 536390

** Used on and above Serial No. 536391

MODEL 851 ROUND BALER
 TWINE WRAPPER KIT (CONTINUED)
 USED ON AND ABOVE SERIAL NO. 590921

Ref. No.	Part No.	No. Used	Description
36	**617942	1	Angle Weld Assembly 2 87670 Cap Screw, Hex Head, 1/2" x 1 1/4", Gr. 5 AR 80700 Washer, 1/2" 2 80679 Lockwasher, 1/2"
37	**617939	1	Trip Lever Weld Assembly
38	**635304	1	Clevis
39	**677732	1	Rod AR 87016 Washer, 3/8" SAE 2 80755 Cotter Pin, 1/8" x 1" 4 84944 Nut, 3/8"
40	**677731	1	Guide
41	**677730	1	Flat 2 87887 Self Tapping Screw, Hex Head, 5/16" x 3/4"

** Used on and Above Serial No. 642293

MODEL 851 ROUND BALER
SECTION NO. 1 AUTOMATIC TWINE WRAPPER (CONTINUED)
USED BETWEEN SERIAL NOS. 536391 AND 590920

Ref. No.	Part No.	No. Used	Description
45	523299	3	Spacer
46	611022	1	Support Weld Assembly 1 88547 Cap Screw, Hex Head, Grade 5, 3/8" x 4" 1 80702 Plain Washer, 3/8" 1 80680 Lockwasher, 3/8" 1 84944 Hex Nut, 3/8"
47	718425	1	Bracket 2 88547 Cap Screw, Hex Head, Grade 5, 3/8" x 4" 2 80702 Plain Washer, 3/8" 2 80680 Lockwasher, 3/8" 2 84944 Hex Nut, 3/8"
48	35370	2	Spacer
49	118950	2	Idler Assembly 2 88004 Machine Bolt, Round Head, Short Square Neck, 1/2" x 2 1/2" 2 80679 Lockwasher, 1/2" 2 84946 Hex Nut, 1/2"
50	705551	1	Arm Weld Assembly 1 87339 Cap Screw, Hex Head, Grade 5, 1/2" x 3" 2 80700 Plain Washer, 1/2" 2 84946 Hex Nut, 1/2"
51	175046	1	Spring
52	144403	1	Eyebolt 2 80664 Plain Washer, 5/16" 2 84943 Hex Nut, 5/16"
53	135135	1	Spacer
54	701576	1	Angle 1 88436 Cap Screw, Hex Head, Grade 5, 3/8" x 2" 1 80680 Lockwasher, 3/8"
55	713281	1	"V" Belt
56	706715	1	Sheave 1 84361 Key, Woodruff, "K", 1/4" x 1 1/4" 2 80979 Set Screw, Square Head, Cup Point, 5/16" x 1" 2 84968 Hex Jam Nut, 5/16"
57	28110	7	Guide, Rope
58	28114	7	"U" Bolt 14 80684 Lockwasher, #10 14 87304 Hex Nut, #10-24 4 80707 Washer, 3/16"

MODEL 851 ROUND BALER
SECTION NO. 2 AUTOMATIC TWINE WRAPPER
USED ON AND ABOVE SERIAL NO. 590921

Ref. No.	Part No.	No. Used	Description
1	285383	1	Support Weld Assembly (Includes Ref. Nos. 2 thru 5) 1 87414 Lube Fitting, 1/4"-28 1 84303 Lube Fitting, 1/8" Female 4 88206 Cap Screw, Hex Head, Grade 5, 3/8" x 1" 4 285072 Washer, Special
2	65930	1	Bushing, 1 1/4" O.D. x 1 1/2" Long (31.75mm x 38.1mm)
3	28280	2	Bushing, 1 1/4" O.D. x 1" Long (31.75mm x 25.4mm)
4	37466	1	Bushing, 7/8" O.D. x 1 1/2" Long (22.23mm x 38.1mm)
5	66812	2	Bushing, 3/4" O.D. x 7/8" Long (19.05mm x 22.23mm)
6	613759	1	Shaft
7	287341	1	Worm Gear
8	56358	1	Shearbolt with Nut
9	10389	2	Pin 4 84944 Hex Nut, 3/8"
10	00674	1	Washer, Special
11	37945	1	Spring 1 87147 Cap Screw, Hex Head, Grade 5, 1/4" x 2 3/4" 1 280129 Hex Locknut, 1/4"
12	251070	1	Brake Shoe Assembly, Left
13	707167	1	Disc Brake 2 88434 Cap Screw, Hex Head, Grade 5, 3/8" x 3/4" 2 80680 Lockwasher, 3/8"
14	251069	1	Brake Shoe Assembly, Right
15	139870	1	Pawl Assembly (Includes Ref. Nos. 16 thru 18)
16	139882	1	Spacer
17	139881	1	Roller
18	11528	1	Pin, Roller Retainer
19	27907	1	Pin, Pawl Retainer
20	00018	2	Spring
21	611450	1	Sheave (Includes Ref. No. 22) 1 87414 Lube Fitting, 1/4"-28
22	44775	2	Bushing
23	613628	1	Clutch
24	84443	1	Machine Bolt, Square Head, 3/8" x 3/4" 1 80680 Lockwasher, 3/8" 1 84944 Hex Nut, 3/8"
25	613433	1	Latch 1 87691 Cap Screw, Hex Head, Grade 5, 3/8" UNF x 3/4" 1 80680 Lockwasher, 3/8"
26	00672	1	Washer, Special
27	87399	1	Cotter Pin, 3/16" x 1 3/4"
28	50600	1	Washer, Special
29	614328	1	Worm Gear
30	33212	AR	Washer, Special
31	618812	1	Cam Weld Assembly 1 87415 Lube Fitting, 1/4"-28 x 45° 1 80754 Cotter Pin, 3/16" x 1 1/2"
32	34069	AR	Washer, Special
33	26382	2	Washer
34	624524	1	Trip Assembly (Includes Ref. No. 35) 1 80755 Cotter Pin, 1/8" x 1"
35	12432	1	Bushing
36	622346	1	Bushing, Nylon

AR - As Required

CONTINUE

MODEL 851 ROUND BALER
APRON CHAIN OILER BUNDLE

Ref. No.	Part No.	No. Used	Description
	209084		Apron Chain Oiler Bundle
1	684455	1	Bracket
2	675126	1	Strap
			2 87039 Step Bolt, 5/16" x 1"
			2 80681 Lockwasher, 5/16"
			2 84943 Nut, 5/16"
3	675058	1	Reservoir
4	687970	1	Cap
5	675056	1	Strainer
6	685184	1	Sleeve
7	167353	2	Male Elbow
8	604972	AR	Hose, 3/8" O.D., Cut to Length Required
9	685183	2	Female Connector
10	635027	2	Flow Valve
11	88793	1	Tee, 1/4"
12	88931	1	Nipple
13	595671	1	Oil Pump Cylinder
14	685058	1	Bracket Weld Assembly
			4 690341 Lockscrew, USR, Thread Forming, 5/16" x 5/8"
15	11117	AR	Washer
16	691126	1	Spring
17	517700	1	Filter
18	229373	AR	Clamp
			AR 690341 Lockscrew, USR, Thread Forming, 5/16" x 5/8"
19	88793	1	1/4" Tee
20	236681	2	Male Connector
21	690340	1	U Bolt, #10
			2 88612 Washer, #10
			2 80684 Lockwasher, #10
			2 87304 Nut, #10
22	716189	AR	Hose, 5/16" O.D., Cut to Lenth Required
23	184064	2	Clip
24	121261	2	Plate
			2 88543 Cap Screw, Hex Head, 5/16" x 1", Grade 5
			2 80681 Lockwasher, 5/16
			2 84943 Nut, 5/16"
25	649260	2	Tube, 1/2" O.D.
26	691162	1	Flat
			2 88044 Cap Screw, Hex Head, 3/8" x 1 1/4", Grade 5
			2 87016 Washer, 3/8"
			2 80680 Lockwasher, 3/8"
			2 84944 Nut, 3/8"
27	685062	1	Mount Weld Assembly
			AR 213404 Washer
			AR 87016 Washer, 3/8", SAE

AR - As As Required

CLICK HERE TO **DOWNLOAD** THE COMPLETE MANUAL

- Thank you very much for reading the preview of the manual.
- You can download the complete manual from: www.heydownloads.com by clicking the link below



- Please note: If there is no response to CLICKING the link, please download this PDF first and then click on it.

CLICK HERE TO **DOWNLOAD** THE COMPLETE MANUAL