



ML52

ALL WHEEL STEER LOADER

PARTS MANUAL

PART #909894

Revision B - 10/08



Mustang Manufacturing Company, Inc.

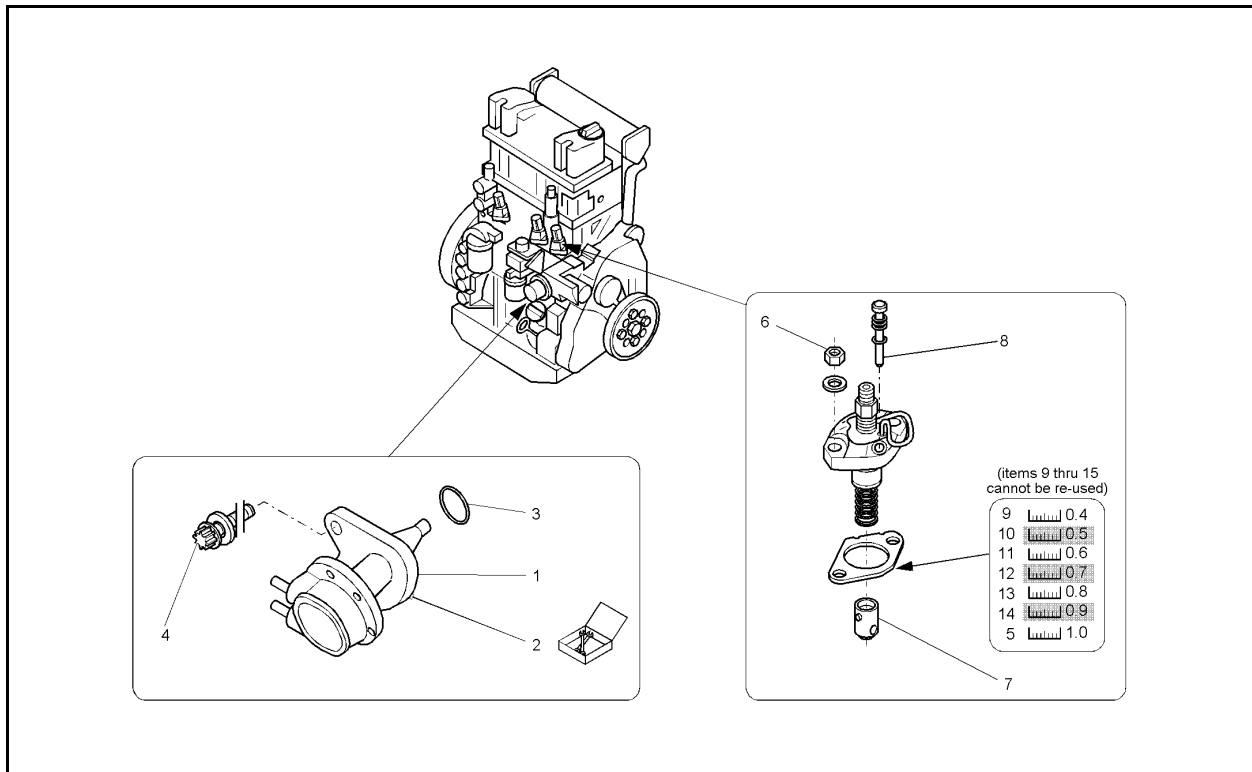
CLICK HERE TO **DOWNLOAD** THE COMPLETE MANUAL

- Thank you very much for reading the preview of the manual.
- You can download the complete manual from: www.heydownloads.com by clicking the link below



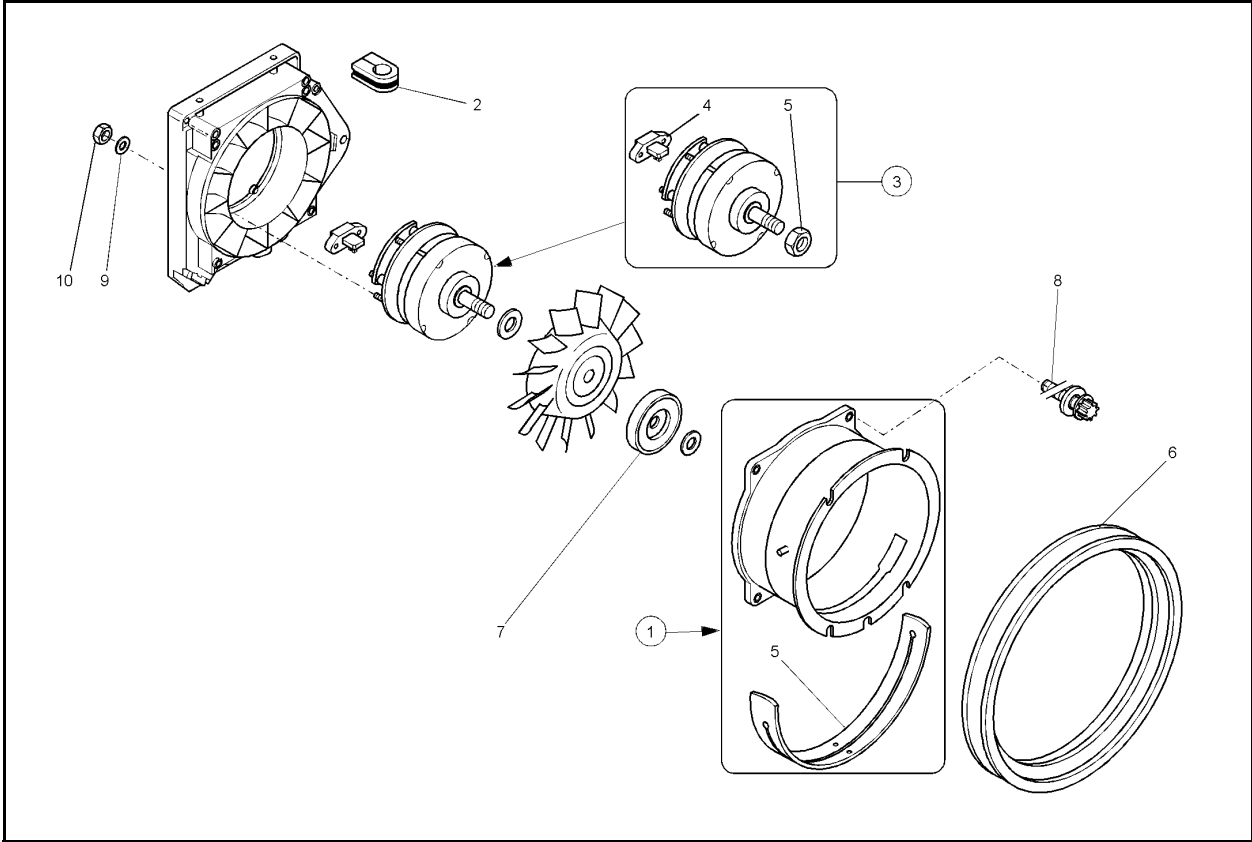
- Please note: If there is no response to CLICKING the link, please download this PDF first and then click on it.

CLICK HERE TO **DOWNLOAD** THE COMPLETE MANUAL



Ref. No.	Part No.	Description	Qty.	Ref. No.	Part No.	Description	Qty.
1	0000802911	FUEL PUMP	1	8	0000802690	PLUG	1
2	0000802790	REPAIR KIT	1	9	0000802683	SHIM (0.4MM)	AR
3	0000801396	O-RING 30 X 3	1	10	0000802684	SHIM (0.5MM)	AR
4	0000801892	TORX HEAD SCREW AM8 X 20	2	11	0000802685	SHIM (0.6MM)	AR
5	0000802689	SHIM (1.0MM)	AR	12	0000802686	SHIM (0.7MM)	AR
6	656048	HN M8-1.25 C8 ZY DIN934	2	13	0000802687	SHIM (0.8MM)	AR
7	0000801982	ROLLER TAPPET	1	14	0000802688	SHIM (0.9MM)	AR

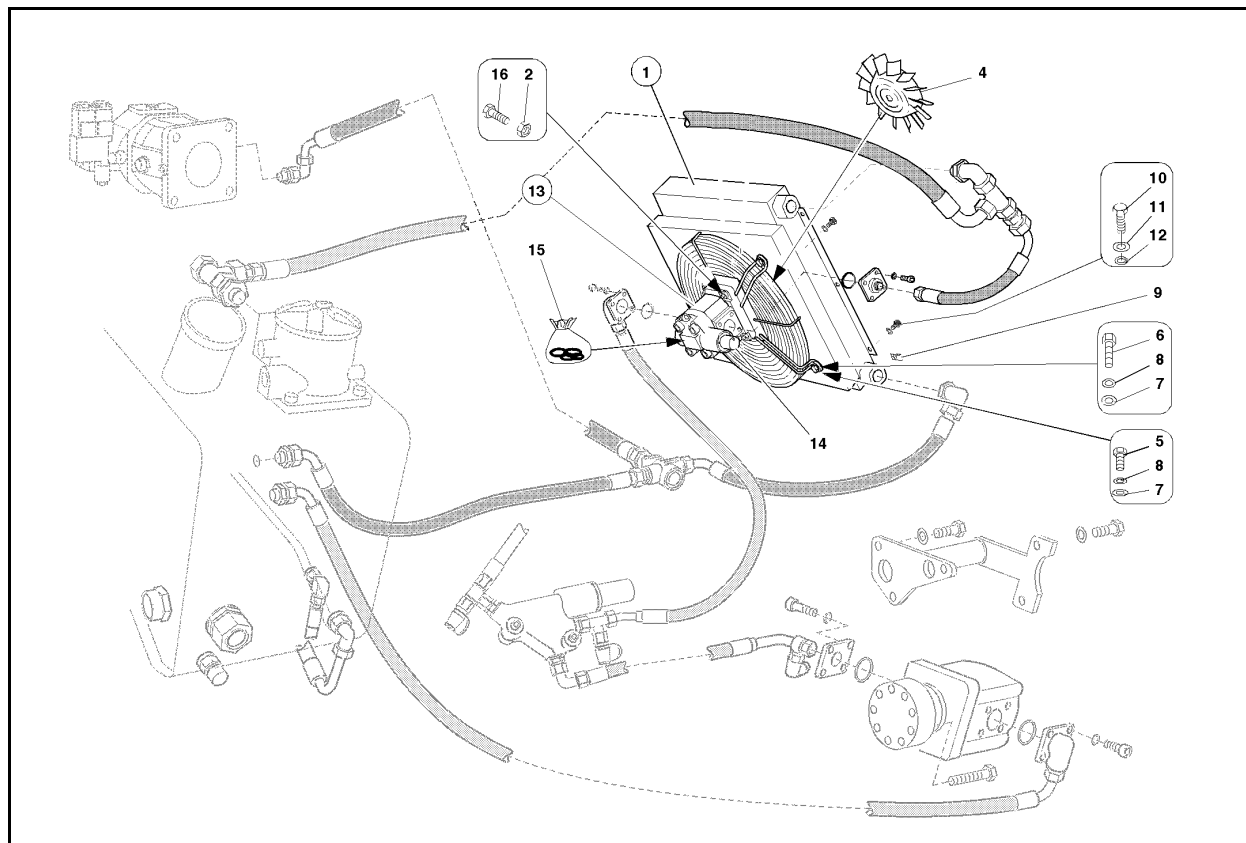
ML52 - COOLING FAN
1000137531



Ref. No.	Part No.	Description	Qty.	Ref. No.	Part No.	Description	Qty.
1	0000802913	BLOWER JACKET/FRONT	1	6	0000802743	PROFILE 118	1
2	0000801951	RUBBER SLEEVE	2	7	0000802001	BELT PULLEY	1
3	0000809493	ALTERNATOR (80A)	1	8	0000802915	TORX HEAD SCREW M8 X 30-8.8	4
4	0000808898	GOVERNOR	1	9	7451680108	WASHER B5.3	4
5	0000802745	SEAL	1	10	656100	HN M5-0.8 C8 ZY	4

ML52 - HYDRAULIC MOTOR OIL COOLER

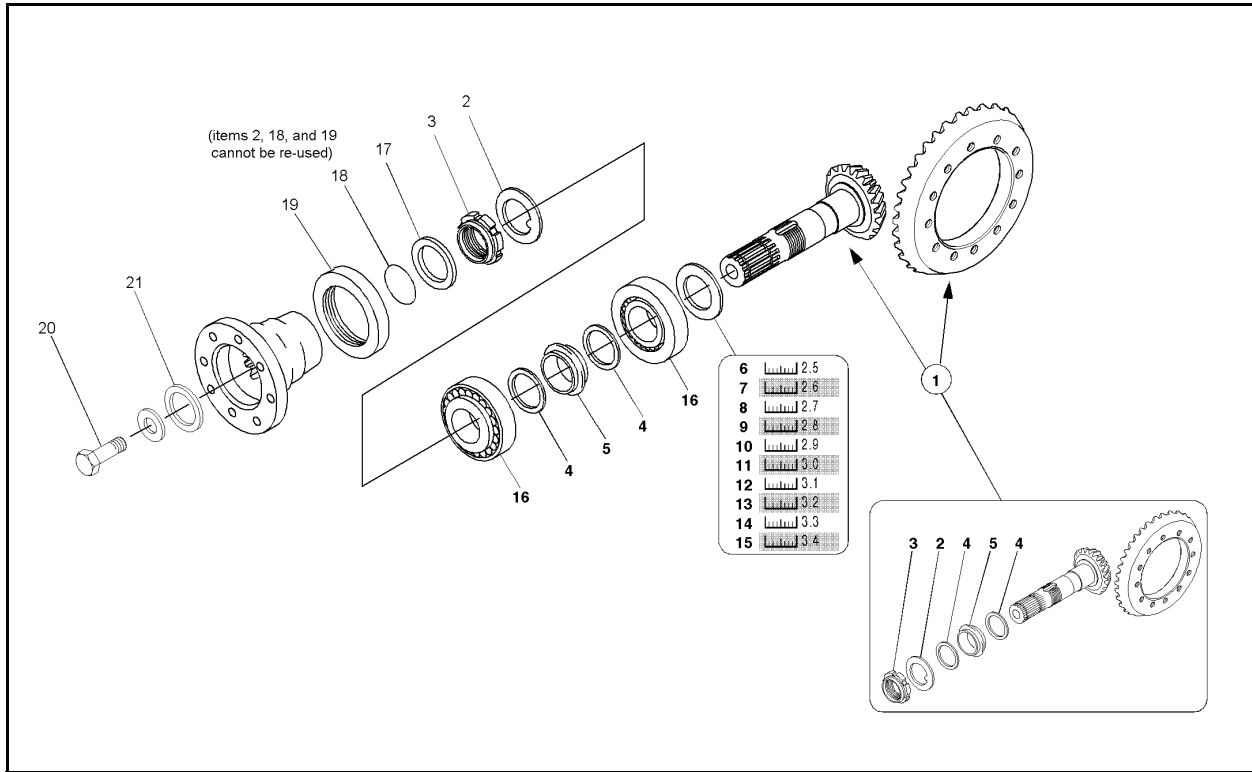
1000137451



Ref. No.	Part No.	Description	Qty.	Ref. No.	Part No.	Description	Qty.
1	0381510403	OIL COOLER	1	10	7236677080	HS M6 X 18-8.8 A2C	6
2	7405677005	HEX NUT M8-8 A2C	4	11	7462680008	WASHER	6
4	0000808807	FAN BLADE	1	12	0009924128	SPRING WASHER VSK 6	6
5	656093	CS M8-1.25 X 16 C8.8 ZY	6	13	0003610603	HYDRAULIC MOTOR	1
6	177648	HEX SCREW	4	14	0000808851	VALVE	1
7	206958	WASHER	10	15	0000808853	SEAL KIT	1
8	163634	WASHER	10	16	656105	CS M8-1.25 X 25 C8.8 ZY	4
9	0009905223	SHEET METAL NUT M6	6				

ML52 - FRONT AXLE GEAR DRIVE

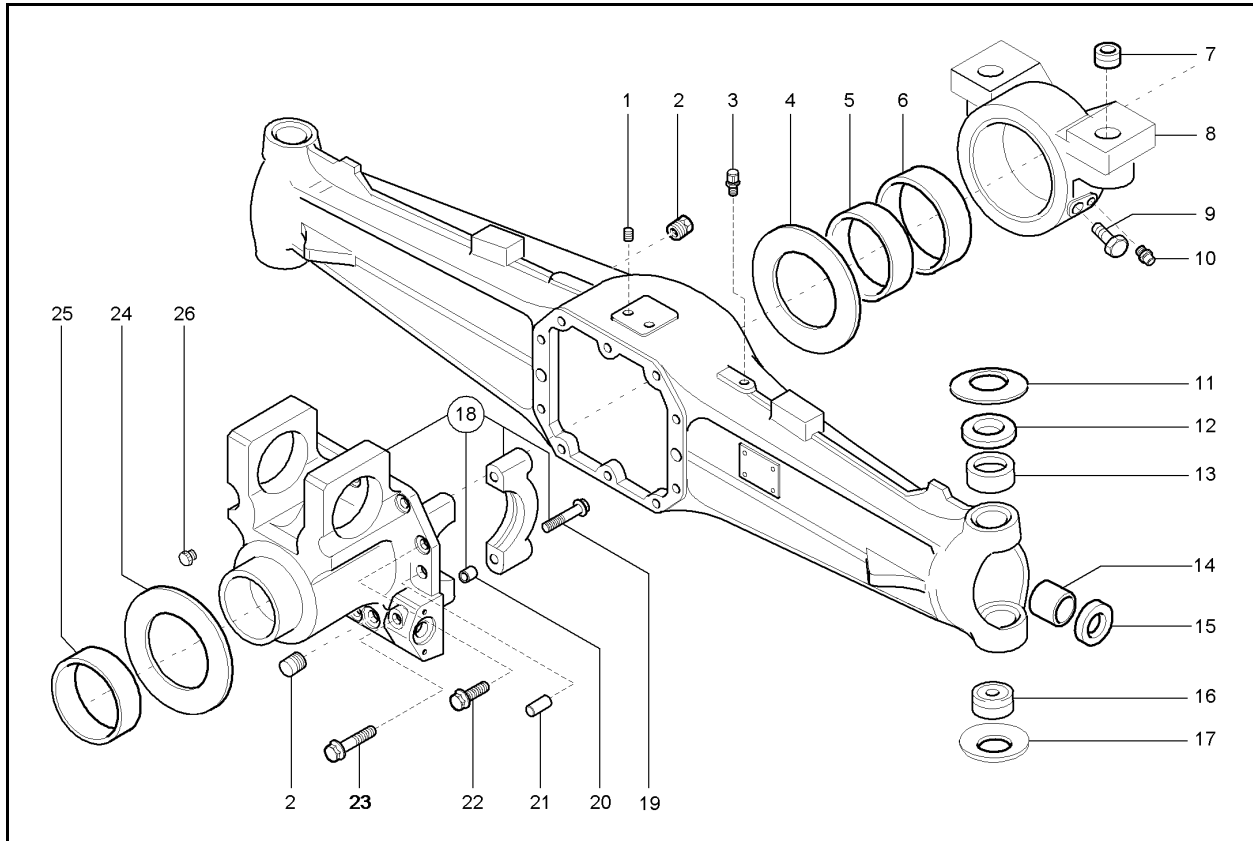
1000137460



Ref. No.	Part No.	Description	Qty.	Ref. No.	Part No.	Description	Qty.
1	208983	BEVEL GEAR AND SHAFT	1	12	0000808684	SHIM (3.1MM)	AR
2	0000808587	WASHER	1	13	0000808685	SHIM (3.2MM)	AR
3	0000808588	CLAMP M40 X 1.5	1	14	0000808686	SHIM (3.3MM)	AR
4	0000808638	WASHER	2	15	0000808687	SHIM (3.4MM)	AR
5	0000808636	SPACER RING	1	16	0000808540	BEARING	2
6	0000808678	SHIM (2.5MM)	AR	17	0000808608	WASHER	1
7	0000808679	SHIM (2.6MM)	AR	18	0000808554	O-RING	1
8	0000808680	SHIM (2.7MM)	AR	19	0000808600	SEALING RING	1
9	0000808681	SHIM (2.8MM)	AR	20	208449	SCREW	1
10	0000808682	SHIM (2.9MM)	AR	21	0000808997	WASHER	1
11	0000808683	SHIM (3.0MM)	AR				

ML52 - REAR AXLE

1000137469



Ref. No.	Part No.	Description	Qty.	Ref. No.	Part No.	Description	Qty.
1	0000808507	THREADED PIN M10 X 1.5	2	15	0000809318	SEAL (Axle #01000802 and up)	2
2	0000808579	PLUG M22 X 1.5	2		0000808593	SEAL (Axle #01000801 and before)	2
3	0000808583	BREATHER M10 X 1	1	16	0000808611	BEARING	2
4	0000808673	WASHER	1	17	0000808658	WAVE SPRING WASHER	2
5	0000808672	BUSHING	1	18	0000808743	SUPPORT	1
6	0000808689	BUSHING	1	19	0000808639	SCREW	4
7	0000808591	BUSHING	2	20	0000808576	BUSHING	4
8	0000808744	SUPPORT	1	21	0000808578	STUD	2
9	0000808523	GREASE ZERK	1	22	0000808637	SCREW M12 X 33	5
10	0000808602	SCREW M16	1	23	0000808648	SCREW M12 X 75	5
11	0000808659	WAVE SPRING WASHER	2	24	0000808688	WASHER	1
12	0000808671	SPACER	2	25	0000808618	BUSHING	1
13	0000808610	BUSHING	2	26	0000808561	PLUG	1
14	0000808597	BUSHING	2				

CLICK HERE TO **DOWNLOAD** THE COMPLETE MANUAL

- Thank you very much for reading the preview of the manual.
- You can download the complete manual from: www.heydownloads.com by clicking the link below

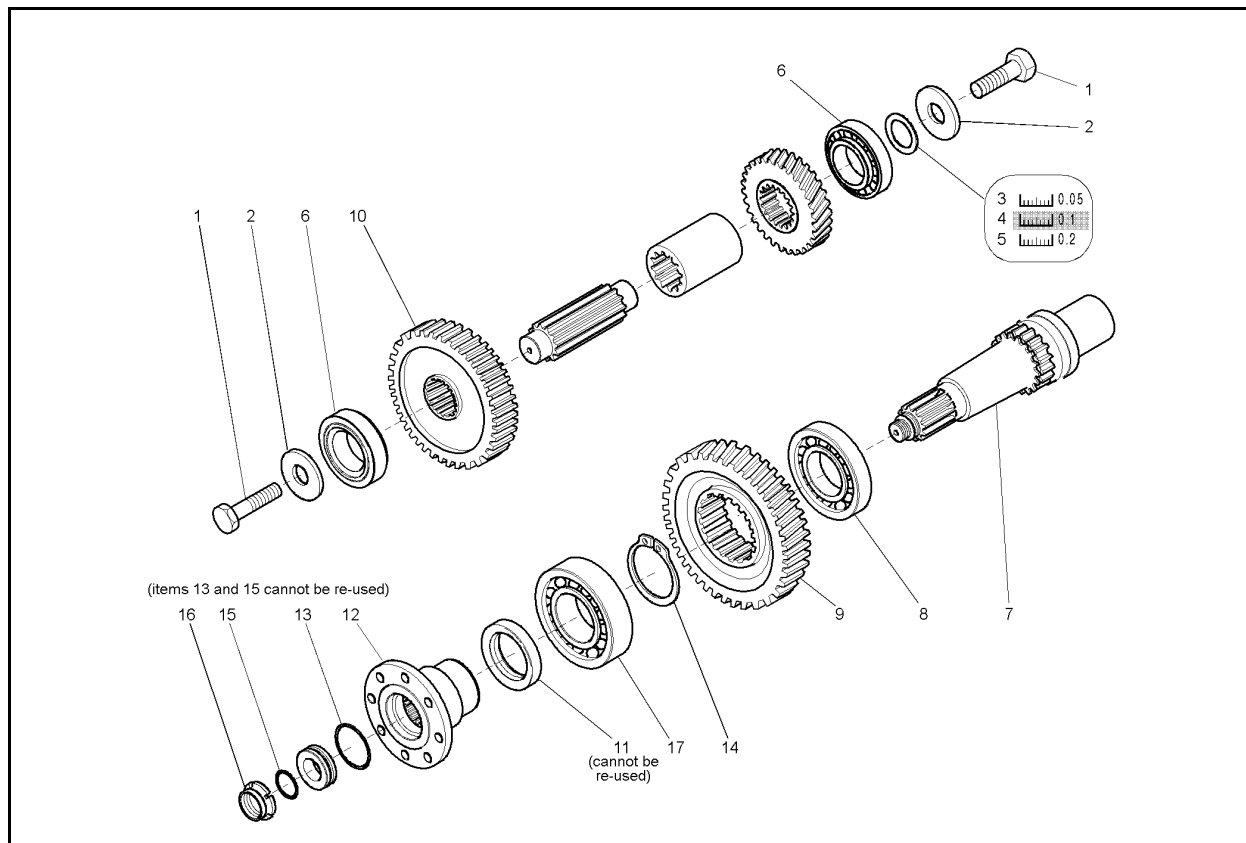


- Please note: If there is no response to CLICKING the link, please download this PDF first and then click on it.

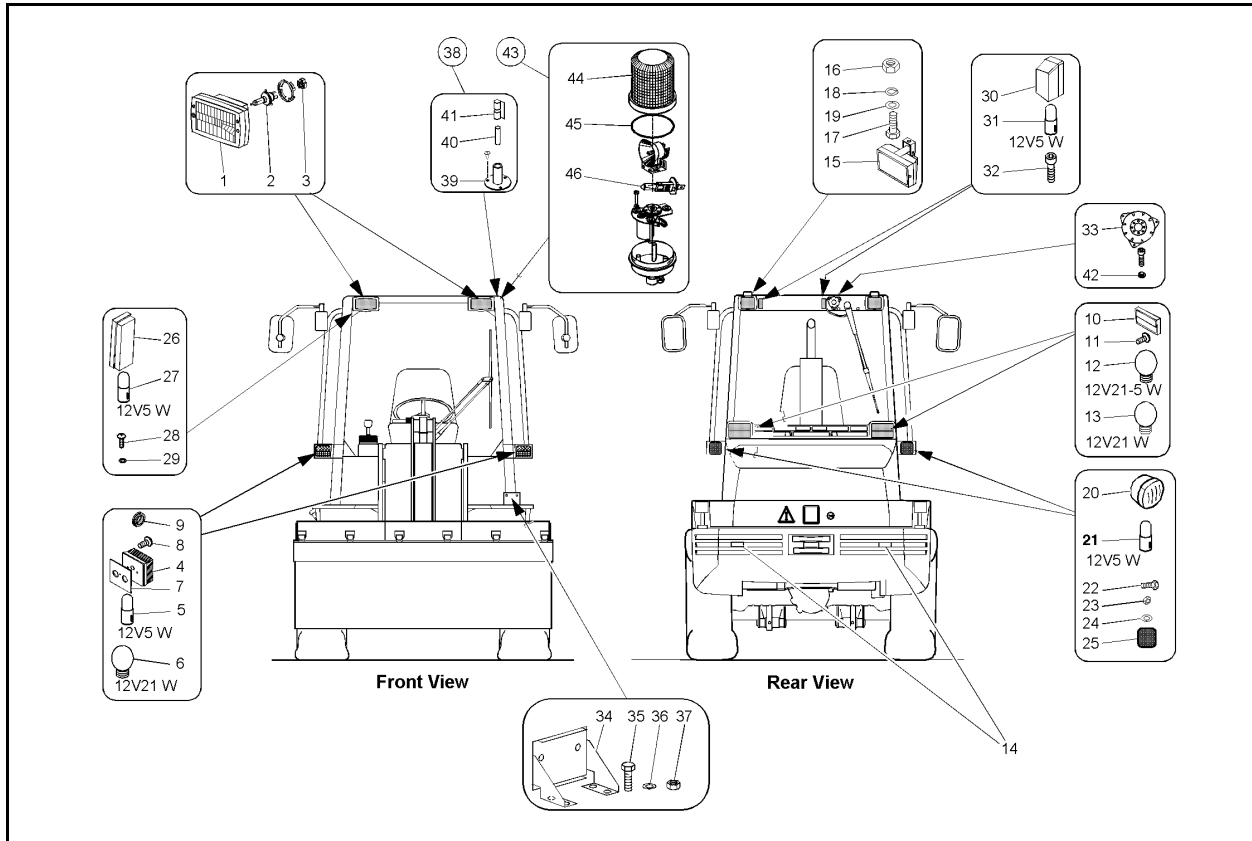
CLICK HERE TO **DOWNLOAD** THE COMPLETE MANUAL

ML52 - HIGH SPEED GEARBOX INPUT SHAFT (BEARING)

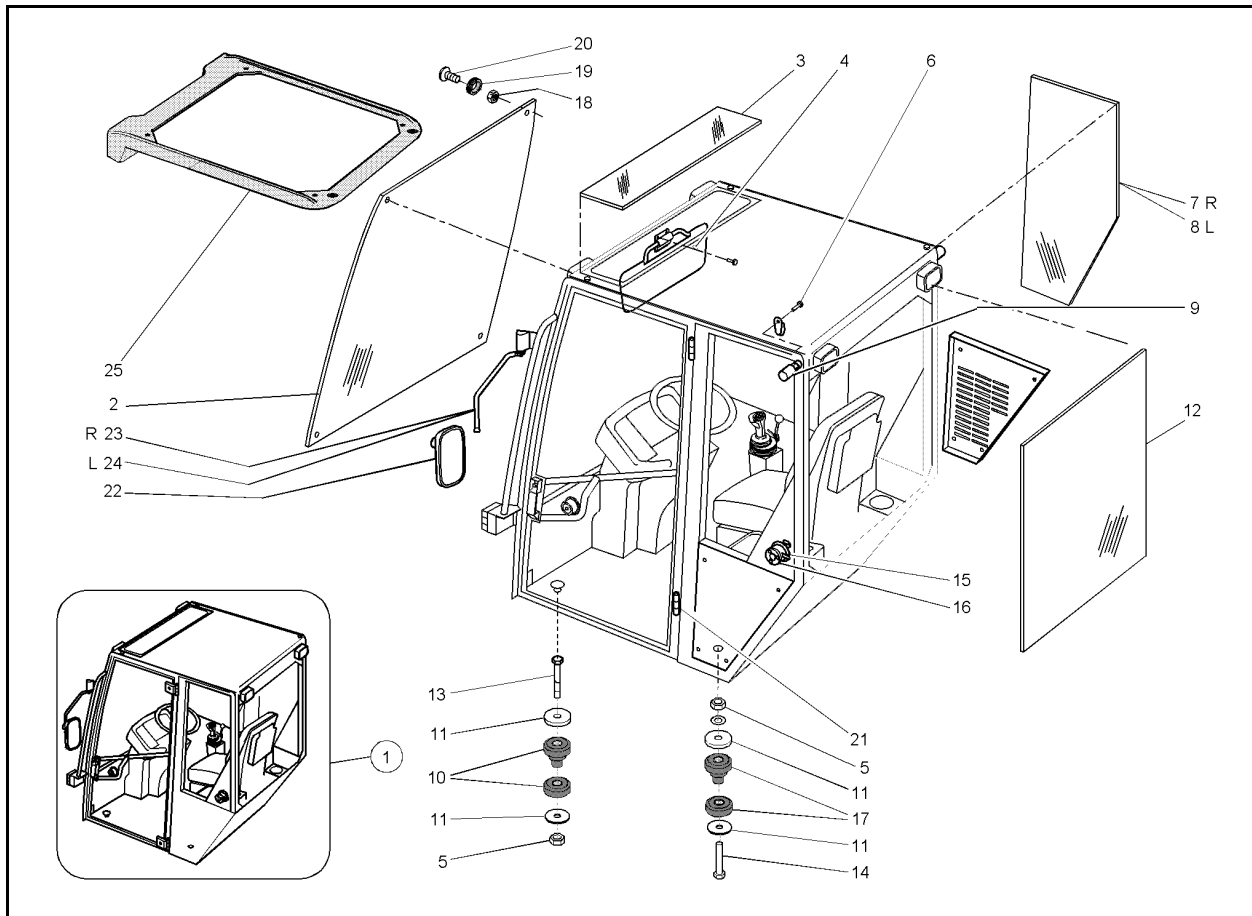
1000137479



Ref. No.	Part No.	Description	Qty.	Ref. No.	Part No.	Description	Qty.
1	208449	SCREW	2	10	0000808711	GEAR	1
2	0000808616	WASHER	2	11	0000808599	SEALING RING	1
3	0000808612	SHIM (0.05MM)	AR	12	0000808603	FLANGE	1
4	0000808613	SHIM (0.1MM)	AR	13	0000808555	O-RING	1
5	0000808614	SHIM (0.2MM)	AR	14	7490682072	CIRCLIP 72 X 2.5	1
6	0000808539	BEARING	2	15	0000808546	O-RING	1
7	0000808751	SHAFT	1	16	0000808677	NUT	1
8	0000808533	BEARING	1	17	0000808536	BEARING	1
9	0000808634	GEAR	1				



Ref. No.	Part No.	Description	Qty.	Ref. No.	Part No.	Description	Qty.
1	0003326801	MAIN HEADLIGHT H4	2	24	7451680108	WASHER B5.3	8
2	163002	HALOGEN LAMP	2	25	0009931185	PLATE	6
3	0000800820	PLUG	2	26	0000809051	INTERIOR LIGHT	1
4	0000801593	POSITION LIGHT	2	27	163010	LIGHT BULB (12V/5W)	2
5	7734000354	LIGHT BULB (12V/5W)	2	28	0000801744	SHEET METAL SCREW 4.2 X 19	2
6	7734000917	LIGHT BULB (12V/21W)	2	29	7479682409	SERRATED LOCKWASHER A6.4 A2C	2
7	0000801629	LINING	2	30	0003322604	NUMBERPLATE LIGHT	2
8	0000802025	SCREW M4 X 10	4	31	163010	LIGHT BULB (12V/5W)	2
9	0000801783	GUIDE	2	32	9901666G	SCREW	4
10	0003326215	REAR LIGHT	2	33	0003322005	BACK-UP (REVERSE) ALARM	1
11	9901666G	SCREW	4	34	1643010040	SUPPORT BRACKET	1
12	163008	LIGHT BULB (12V/21-5W)	2	35	651424	CS M6-1 X 20 C8.8 Z	2
13	7734000917	LIGHT BULB (12V/21W)	2	36	7451680109	WASHER B6.4-140HV A2C	2
14	0003321507	REFLECTOR	2	37	651457	LN INS M6-1 C8 ZY	2
15	0003327901	WORKING LIGHT	1	38	0383300045	MOUNTING KIT/ROTATING BEACON	1
16	656102	HN M10-1.25 F8 ZY	1	39	0000801691	SUPPORT BRACKET	1
17	656006	CS M10-1.5 X 20 C8.8 ZY	1	40	0000801769	PLUG	1
18	0009930963	WASHER	1	41	0000801770	RUBBER CAP	1
19	177460	EXTERNAL TOOTH LOCKWASHER	1	42	656116	HN M4-0.7 C8 ZY	3
20	0003323515	REAR LIGHT	2	43	205469	ROTATING BEACON	1
21	163010	LIGHT BULB (12V/5W)	2	44	0003325452	LIGHT COVER	1
22	651423	CS M5-0.8 X 25 C8.8 ZY	4	45	0003322746	SEAL	1
23	656100	HN M5-0.8 C8 ZY	4	46	0003321610	BULB H1	1



Ref. No.	Part No.	Description	Qty.
1	0493400001	CAB W/DOORS AND WINDOWS	1
2	0000809394	FRONT WINDOW	1
3	0000809400	ROOF WINDOW	1
4	0000809402	SUN VISOR	1
5	651451	HLN INS M16-2.0 ZO	4
6	162869	SCREW	2
7	0000809396	SIDE WINDOW RT	1
8	0000809397	SIDE WINDOW LT	1
9	0000809374	BUFFER	2
10	0009934784	BEARING/FRONT	2
11	0009933663	WASHER	8
12	0000809395	REAR WINDOW	1
13	7234677179	HS M16 X 100-8.8 A2C	2

Ref. No.	Part No.	Description	Qty.
14	7234678182	HS M16 X 130	2
15	0000801806	DOOR LOCK BASE	2
16	0000801804	DOOR LOCK	2
17	0009934884	BEARING/REAR	2
18	656047	HN M6-1 C8 ZY	4
19	0000809076	ISOLATOR	4
20	0000809054	PAN HEAD SCREW	4
21	0000809409	DOOR HINGE LT	2
22	0000801594	MIRROR	2
23	0000809388	MIRROR BRACKET RT	1
24	0000809387	MIRROR BRACKET LT	1
25	0383410013	ROOF LIGHT BAR	1

Index

A

Air Intake System 22

B

Battery 72

Belt Cover 15

Boom 91

Brake 42

Bucket 97

C

Cab 79

Cab Doors 80

Cab Heater 83

Cab Interior Cover Trim 81

Cab Mats & Filters 82

Cab Protection Screens 84

Cab Wiring Harness/Front Components ... 75

Cab Wiring Harness/Fuse Box 76

Cab Wiring Harness/Instrument Panel 74

Cab Wiring Harness/Rear Components ... 77

Cab Wiring Harness/Roof 78

Cooling Fan 19

Cowl & Lower Body Trim 66

Crankcase Vent 12

Cylinder Head & Valve Cover 17

Cylinders Installation 96

D

Decals 3

Drive Hydraulics Installation 27

Drive Pilot Installation 28

E

Electrical Control Circuit 90

Engine 6

Engine Hood 65

Engine Lubrication 7

Engine Mounts 5

Exhaust System 67

F

Frame/Counterweight 25

Front Axle 37

Front Axle Differential 40

Front Axle Differential Lock 41

Front Axle Differential Lock Hydraulics .. 44

Front Axle Gear Drive 39

Front Axle Steering 38

Front Engine Cover 14

Front Wheel Hub 43

Fuel Filter 8

Fuel Injection System 10

Fuel Line 20

Fuel Pump 9

Fuel Tank 21

H

Hand Throttle 24

High Speed (25.0 mph) Gearbox Housing 56

High Speed Gear Shifter 57

High Speed Gearbox Hydraulics

Installation 60

High Speed Gearbox Input Shaft (Bearing) 59

High Speed Gearbox Input Shaft

(Control Gear) 58

Hydraulic Motor Oil Cooler 29

Hydraulic Motor Oil Cooler Installation ... 30

Hydraulic Oil Circulating System 85

Hydraulic Oil Tank 87

Hydraulic System Control Valve 86

I

Inching Valve 33

Instrument Panel 68

Intake Manifold & Turbocharger System . 11

Introduction i

L

Lift Cylinder 93

Low Speed Control 35

M

Main Wiring Harness 70

N

Numerical Index 101

O

Oil Cooler Installation 18

Numerical Index

Part No.	Page No.	Ref. No.	Part No.	Page No.	Ref. No.	Part No.	Page No.	Ref. No.
0000808873	32	22	0000809318	37	23	0000809419	82	3
0000808884	32	17	0000809318	49	15	0000809420	82	2
0000808887	33	7	0000809322	41	11	0000809426	81	9
0000808889	32	9	0000809331	38	18	0000809428	80	28
0000808891	32	10	0000809339	60	3	0000809434	80	3
0000808895	16	5	0000809357	73	1	0000809435	80	4
0000808898	19	4	0000809358	73	3	0000809448	80	2
0000808901	16	6	0000809359	73	4	0000809458	80	20
0000808975	38	12	0000809360	73	5	0000809459	80	19
0000808976	50	10	0000809361	73	6	0000809460	80	8
0000808997	39	21	0000809363	73	9	0000809463	80	9
0000809014	32	11	0000809365	73	11	0000809464	80	14
0000809043	80	5	0000809366	73	7	0000809465	80	32
0000809046	80	13	0000809374	79	9	0000809470	68	35
0000809051	69	26	0000809376	83	9	0000809470	83	11
0000809054	79	20	0000809381	61	6	0000809493	19	3
0000809074	80	10	0000809382	81	1	0000809496	83	14
0000809076	79	19	0000809384	68	29	0000809497	68	34
0000809082	80	24	0000809386	81	13	0000809497	83	12
0000809088	80	33	0000809387	79	24	0000809498	83	4
0000809117	80	34	0000809388	79	23	0000809500	83	26
0000809137	33	10	0000809389	61	8	0000809501	83	28
0000809137	34	8	0000809389	81	5	0000809507	88	6
0000809141	63	15	0000809389	81	6	0001611102	21	10
0000809145	63	16	0000809391	83	23	0001611102	87	15
0000809150	63	6	0000809394	79	2	0001611303	87	16
0000809151	63	9	0000809395	79	12	0002294522	26	11
809192	98	2	0000809396	79	7	0002295322	26	10
0000809231	60	4	0000809397	79	8	0002430103	46	26
0000809234	33	1	0000809399	80	7	0002731881	62	25
0000809235	33	2	0000809400	79	3	0003102411	36	1
0000809239	34	6	0000809402	79	4	0003111313	36	4
0000809259	13	5	0000809404	80	15	0003124207	36	5
0000809283	32	23	0000809405	80	27	0003306612	72	7
0000809295	38	19	0000809409	79	21	0003307412	72	12
0000809305	50	9	0000809410	80	1	0003307912	72	9
0000809315	38	17	0000809411	80	29	0003320228	75	4
0000809316	43	1	0000809412	80	25	0003320611	74	6
0000809316	53	1	0000809413	80	6	0003320628	70	2

CLICK HERE TO **DOWNLOAD** THE COMPLETE MANUAL

- Thank you very much for reading the preview of the manual.
- You can download the complete manual from: www.heydownloads.com by clicking the link below



- Please note: If there is no response to CLICKING the link, please download this PDF first and then click on it.

CLICK HERE TO **DOWNLOAD** THE COMPLETE MANUAL