



ML48

**Beginning Serial Number:
342010001**

**ALL-WHEEL-STEER
LOADER**

PARTS MANUAL

Revision E - 10/06

PART #918135



Mustang Manufacturing Company, Inc.

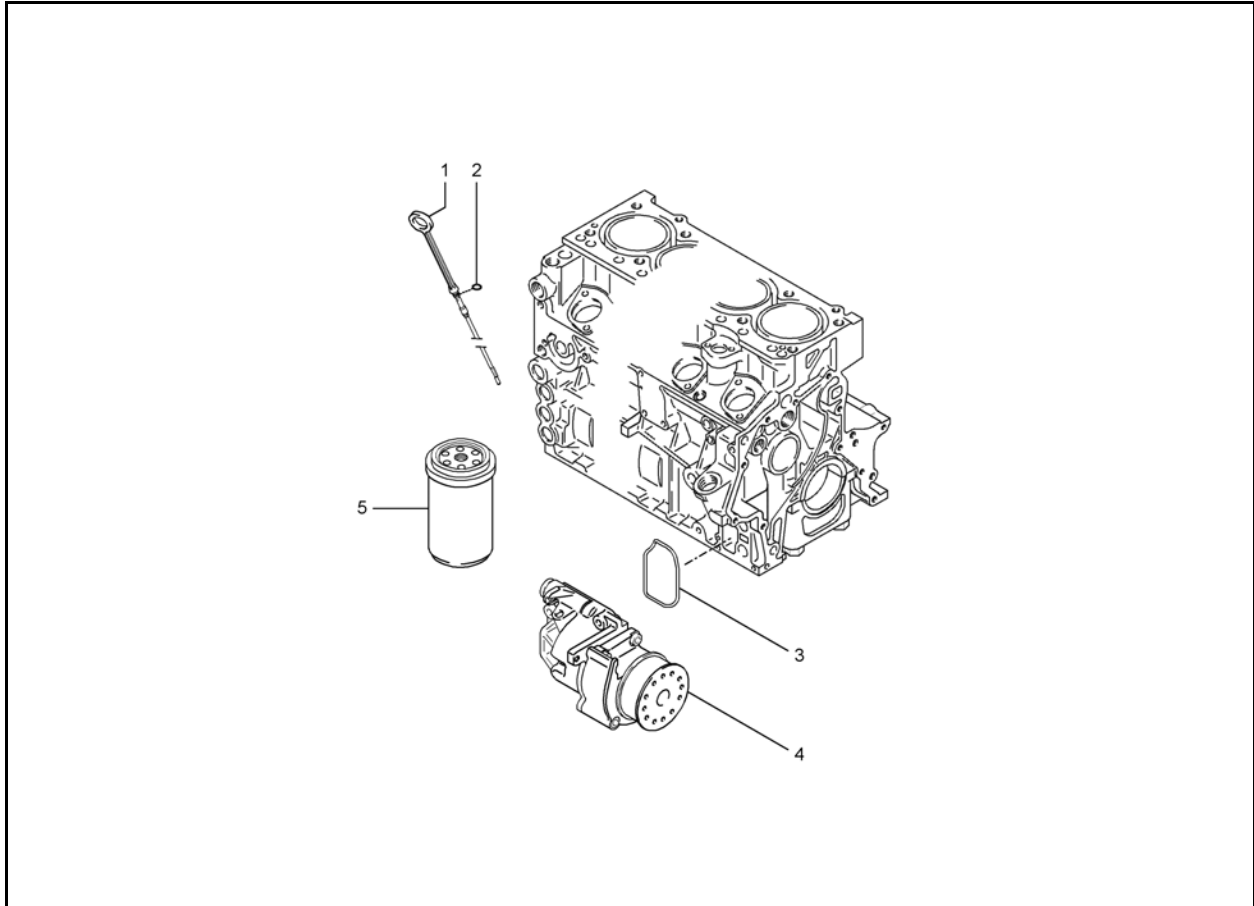
CLICK HERE TO **DOWNLOAD** THE COMPLETE MANUAL

- Thank you very much for reading the preview of the manual.
- You can download the complete manual from: www.heydownloads.com by clicking the link below



- Please note: If there is no response to CLICKING the link, please download this PDF first and then click on it.

CLICK HERE TO **DOWNLOAD** THE COMPLETE MANUAL



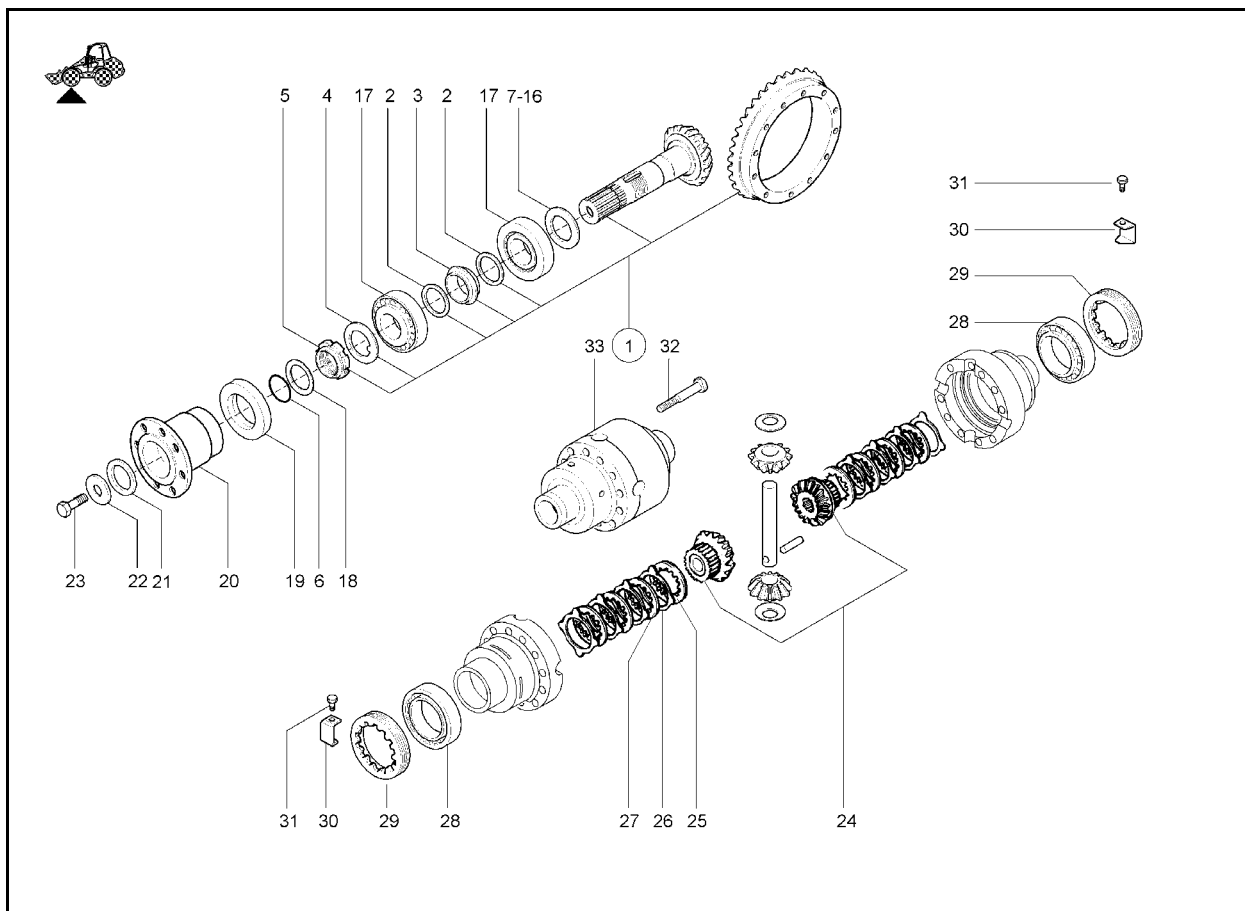
Ref. No.	Part No.	Description	Qty.	Ref. No.	Part No.	Description	Qty.
1	208846	OIL DIPSTICK	1	4	208863	LUBE, OIL PUMP	1
2	208827	SEAL RING	1	5	132023	OIL FILTER	1
3	0000802665	GASKET	1				

ML48 - HYDRAULICS INSTALLATION - DRIVE
1000113514 - 12.5 MPH (20 KM/H)

Ref.	No.	Part No.	Description	Qty.	Ref.	No.	Part No.	Description	Qty.
	33	209287	PIN SCREW	4	50	7405677005	HEXAGON NUT		1
	34	7405677005	HEXAGON NUT	4	51	0003638869	SCREW CONNECTION		1
	35	208578	SCREW JOINT	1	52	0003655712	HP HOSE		1
	36	0003632383	REDUCER	1	53	0003635015	SCREW CONNECTION		2
	37	0003618484	DRAIN COUPLING	1	54	161447	90° FITTING		1
	38	208578	SCREW JOINT	1	55	208640	HP HOSE		1
	39	208526	HP HOSE	1	56	0003631815	SCREW CONNECTION		2
	40	0003631815	SCREW CONNECTION	1	59	208405	CLAMP		2
	41	0003638869	SCREW CONNECTION	1	60	0009930685	COVER PLATE		2
	42	208699	HP HOSE	1	61	651437	HB M8-1.2 X 60 C 8.8 ZO		2
	43	161451	TEE	1	62	7405677005	HEX NUT M8-8		2
	44	0003632383	REDUCER	1	63	0009932251	CLAMP		1
	45	0003618484	DRAIN COUPLING	1	64	0009933185	COVER PLATE		1
	46	0003635015	SCREW CONNECTION	1	65	165946	HEX SCREW		2
	47	0009936350	CLAMP	1	66	651457	HLN INST M6-1.00 C8 ZO		2
	48	0009930685	COVER PLATE	1	67	209067	HP HOSE		1
	49	7397677086	PIN SCREW	1	68	161447	90° FITTING		1

ML48 - LOCKING DIFFERENTIAL (FRONT AXLE)

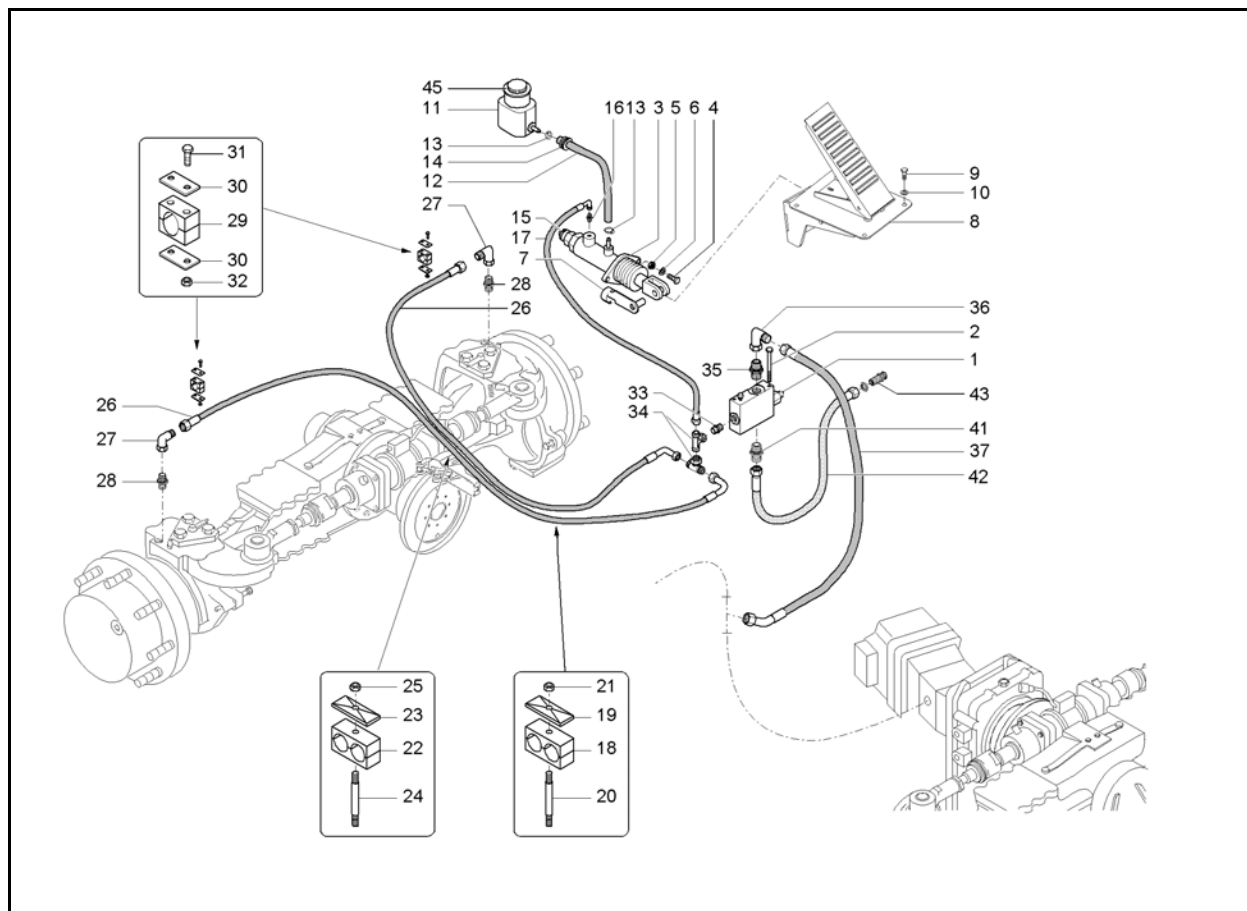
1000112879



Ref. No.	Part No.	Description	Qty.	Ref. No.	Part No.	Description	Qty.
1	208983	ANGLE DRIVE	1	18	0000808608	SPACER	1
2	0000808638	SPACER	2	19	0000809330	SPACER	1
3	0000808636	SHIM	1	20	208751	FLANGE	1
4	0000808587	SPACER	1	21	0000808997	SPACER	1
5	0000808588	CLAMP	1	22	0000808616	SPACER	1
6	208750	O-RING	1	23	208449	SCREW	1
7	0000808678	SHIM - 2.5 MM	1	24	208984	SCREW	1
8	0000808679	SHIM - 2.6 MM	1	25	209514	CLUTCH DISC	2
9	0000808680	SHIM - 2.7 MM	1	26	209515	CLUTCH DISC	10
10	0000808681	SHIM - 2.8 MM	1	27	209516	CLUTCH DISC	8
11	0000808682	SHIM - 2.9 MM	1	28	0000808538	BEARING	2
12	0000808683	SHIM - 3.0 MM	1	29	208752	CLAMP	2
13	0000808684	SHIM - 3.1 MM	1	30	0000808586	PLATE	1
14	0000808685	SHIM - 3.2 MM	1	31	0000808655	SCREW	4
15	0000808686	SHIM - 3.3 MM	1	32	0000808623	SCREW	12
16	0000808687	SHIM - 3.4 MM	1	33	208985	HOUSING	1
17	0000808540	BEARING	2				

ML48 - SERVICE BRAKE - HYDRAULICS

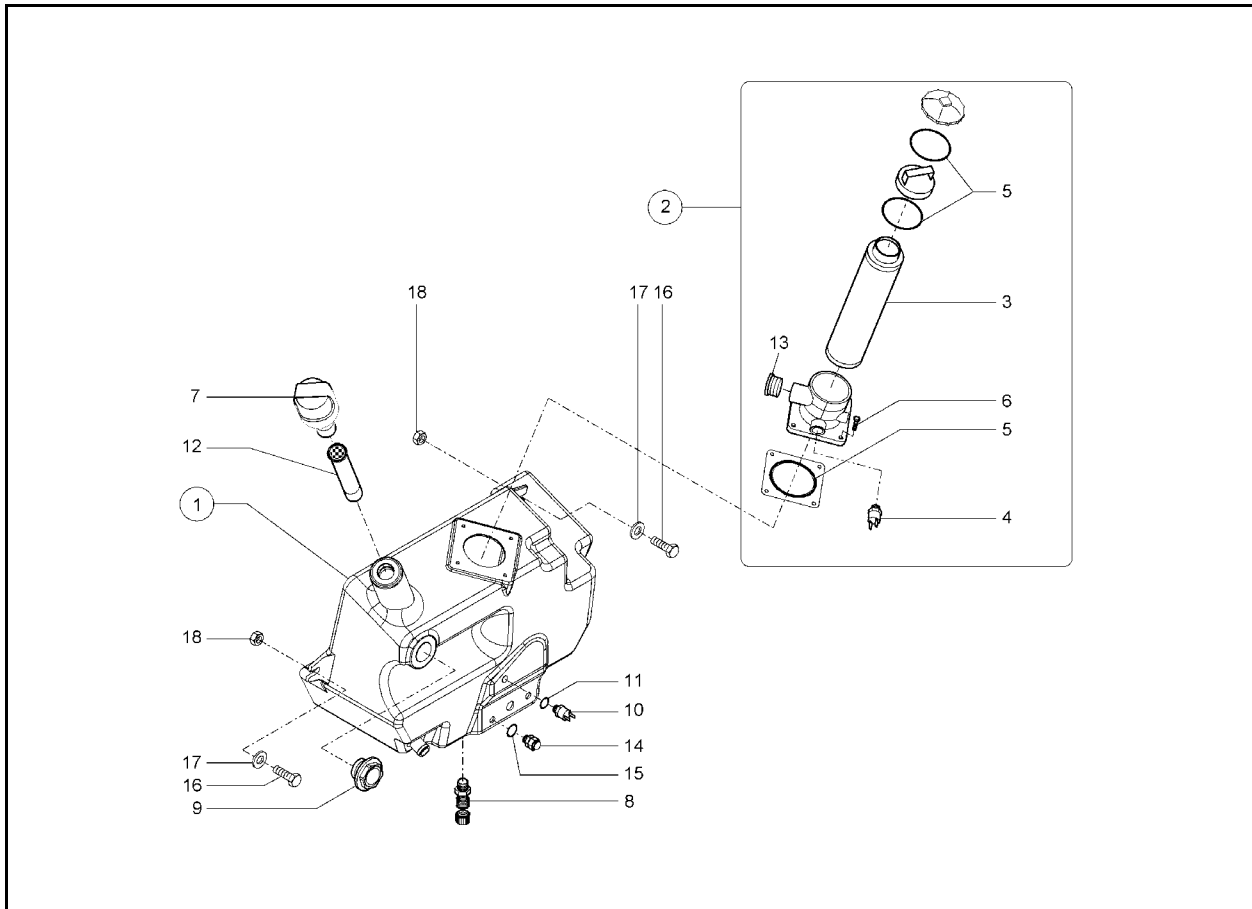
1000113546



Ref. No.	Part No.	Description	Qty.	Ref. No.	Part No.	Description	Qty.
1	208435	INCHING VALVE	1	22	209227	CLAMP	1
2	651433	HB M8-1.2 X 40 C 8.8 ZO	2	23	208404	COVER PLATE	1
3	208705	MASTER CYLINDER	1	24	7397677055	STUD BOLT	1
4	656105	CS M8-1.25X25 C8.8 ZO	2	25	651457	HLN INST M6-1.00 C8 ZO	1
5	7405677005	HEXAGON NUT	2	26	208726	HP HOSE	2
6	163634	WASHER	2	27	161443	90° FITTING	2
7	0009903915	PIN	1	28	0003639864	SCREW CONNECTION	2
8	208687	BRAKE PEDAL	1	29	209232	CLAMP	2
9	177648	HEX SCREW	4	30	209226	COVER PLATE	4
10	163634	WASHER	4	31	164913	SCREW	4
11	208424	RESERVOIR	1	32	656047	HN M6-1.00	4
12	206491	HOSE D 8X3 (1.00M)	1	33	161435	SCREW JOINT	1
13	0009937750	HOSE CLAMP	2	34	209481	SCREW JOINT	2
14	0009960242	DUCT RING	1	35	0003636649	SCREW CONNECTION	1
15	208501	PRESSURE SWITCH	1	36	161445	90° FITTING	1
16	0003631666	SCREW CONNECTION	1	37	208734	HP HOSE	1
17	208708	HP HOSE	1	41	0003636649	SCREW CONNECTION	1
18	209222	CLAMP	2	42	209072	HP HOSE	1
19	0009930585	COVER PLATE	2	43	209211	SCREW CONNECTION	1
20	7397677090	STUD BOLT	2	45	206983	LOCK COVER	1
21	7405677005	HEXAGON NUT	2				

ML48 - HYDRAULIC OIL TANK

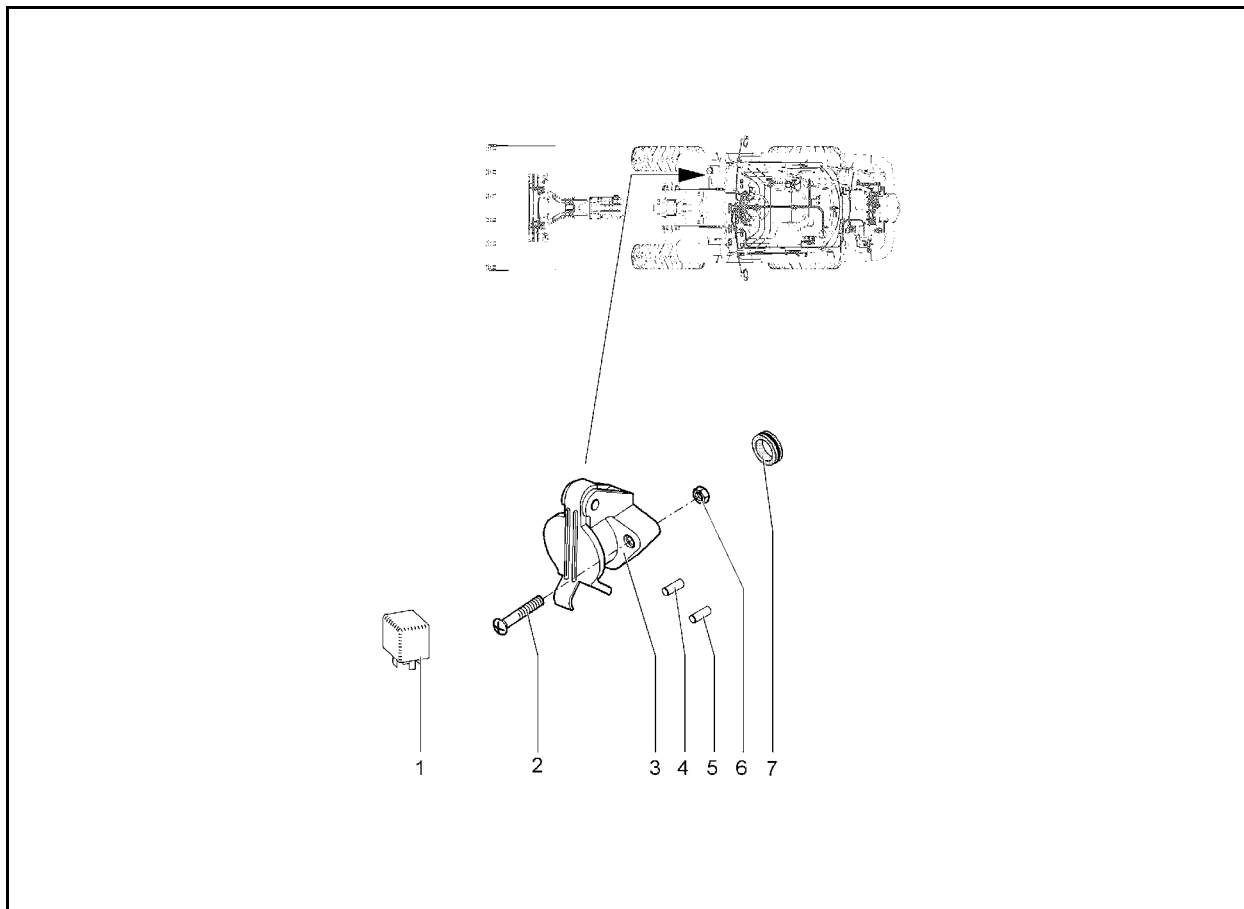
1000114289



Ref. No.	Part No.	Description	Qty.	Ref. No.	Part No.	Description	Qty.
1	208507	HYDRAULIC OIL TANK	1	10	0003364703	TEMPERATURE SWITCH	1
2	208431	RETURN FILTER ASSY	1	11	163756	SEAL RING	1
3	208871	HYDRAULIC FILTER	1	12	0003630833	SCREEN	1
4	209390	PRESSURE SWITCH	1	13	0009909609	SCREW PLUG	1
5	208873	SEAL KIT	1	14	7334670005	SCREW PLUG	1
6	656006	CS M10-1.50X20 C8.8 ZO	4	15	7593641028	SEAL RING	1
7	0003637634	VENTING FILTER	1	16	179757	SCREW	2
8	0003618484	DRAIN COUPLING	1	17	7462680016	WASHER	2
9	0003630846	OIL LEVEL SIGHT GLASS	1	18	179793	NUT	2

ML48 - ELECTRIC MOUNTING KIT

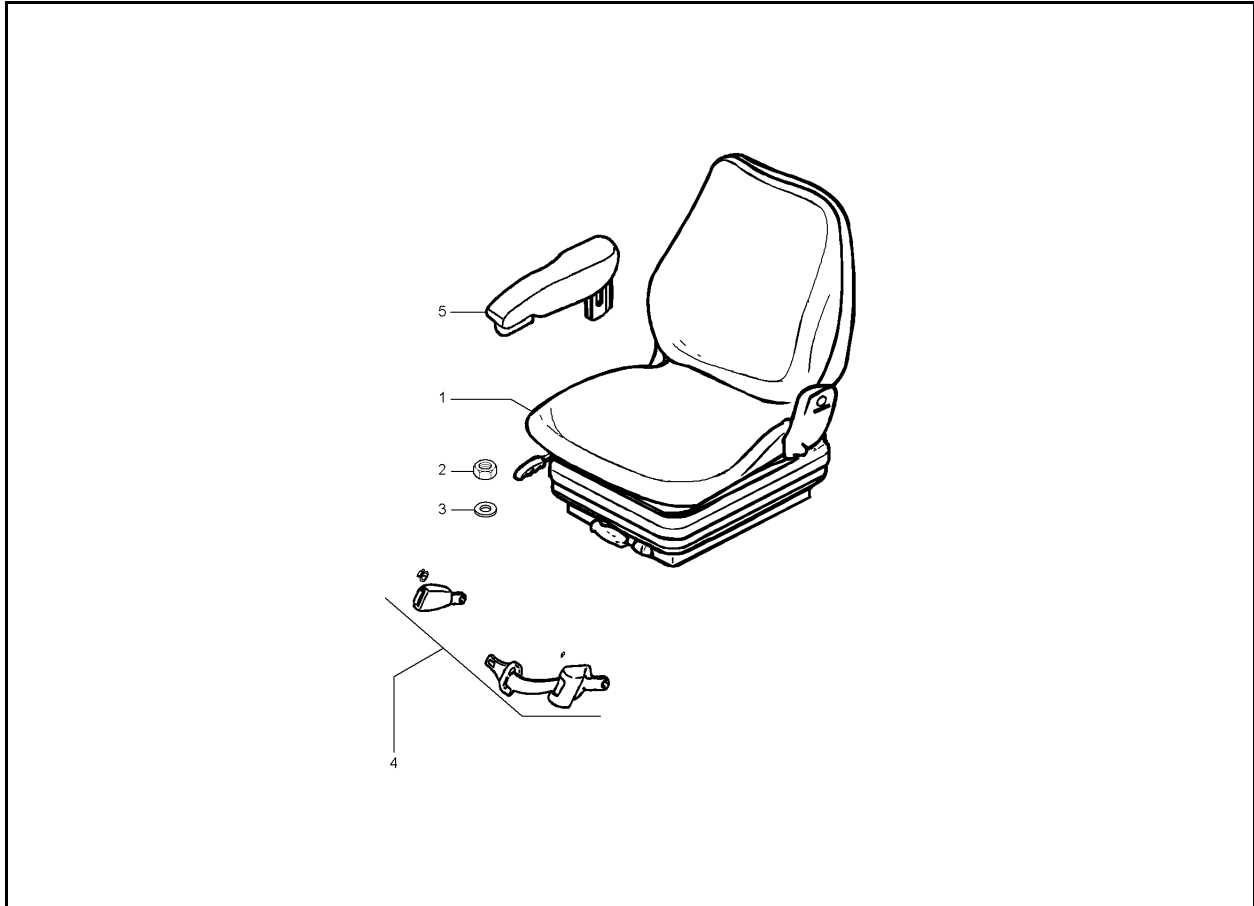
1000109721



Ref. No.	Part No.	Description	Qty.	Ref. No.	Part No.	Description	Qty.
1	0003323317	RELAY 40/60 A	1	5	208470	ENDSLEEVE	1
2	7250671592	SHCS M4X25-4.8 A2C	2	6	7405677002	HEX NUT	2
3	7731000001	SOCKET A 4	1	7	0009962042	DUCT RING	1
4	208430	ENDSLEEVE	3				

ML48 - OPERATOR'S SEAT - ATTACHMENTS

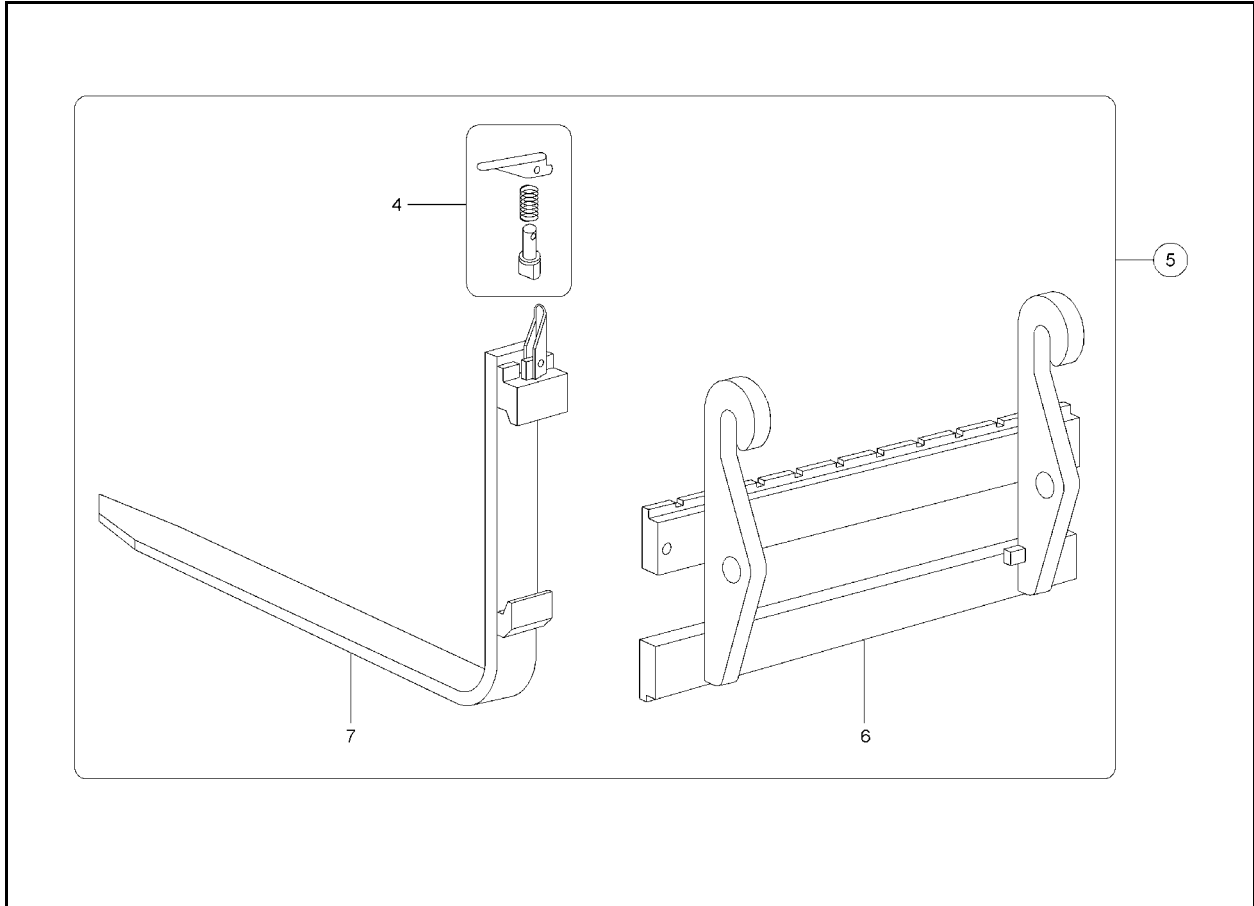
1000147148



Ref. No.	Part No.	Description	Qty.	Ref. No.	Part No.	Description	Qty.
1	207013	OPERATORS SEAT	1	4	207674	SEAT BELT, 2" RETRACTABLE	1
2	7405677005	HEX NUT	4	5	0000809141	ARM REST	1
3	163634	WASHER	4				

ML48 - PALLET FORKS (48")

100011967



Ref. No.	Part No.	Description	Qty.	Ref. No.	Part No.	Description	Qty.
4	209748	LEVER KIT	2	6	208524	FORK MOUNTING	2
5	809192	PALLET FORK ASSEMBLY	1	7	208615	FORKS (48")	2

Part No.	Page No.	Ref. No.	Part No.	Page No.	Ref. No.	Part No.	Page No.	Ref. No.
208886	63	21	208923	60	24	208962	63	26
208887	63	22	208924	73	30	208963	27	1
208888	62	24	208925	17	17	208964	27	10
208888	63	24	208925	37	13	208965	28	4
208889	42	21	208926	17	22	208966	28	14
208889	44	21	208926	37	18	208967	28	15
208890	42	17	208927	51	3	208967	33	15
208890	44	17	208928	24	1	208968	28	16
208891	62	27	208929	26	1	208968	33	16
208891	63	27	208930	26	5	208969	28	17
208892	62	28	208931	5	16	208969	33	17
208892	63	28	208932	5	15	208970	28	18
208893	62	29	208933	17	1	208970	33	18
208893	63	29	208934	16	9	208971	28	21
208894	62	30	208937	64	28	208971	33	21
208894	63	30	208938	16	15	208972	28	22
208895	62	2	208939	16	16	208972	33	22
208896	62	11	208940	64	29	208973	28	23
208897	62	14	208941	64	30	208974	28	24
208898	62	18	208942	47	38	208975	28	26
208899	62	22	208944	21	49	208975	33	25
208901	60	6	208945	70	34	208976	28	27
208902	60	7	208946	70	35	208977	30	1
208905	60	32	208947	23	6	208978	32	1
208906	60	33	208947	24	39	208979	32	10
208907	60	35	208948	63	1	208980	33	4
208908	60	36	208949	60	2	208981	33	5
208909	60	39	208950	60	29	208982	33	23
208912	61	44	208951	60	34	208983	29	1
208913	61	45	208952	61	68	208984	29	24
208914	61	47	208953	11	1	208984	34	20
208915	61	51	208954	20	1	208985	29	33
208916	61	52	208954	47	5	208985	34	29
208917	61	54	208955	61	71	208986	5	1
208918	61	57	208956	61	72	208987	33	14
208919	62	32	208957	61	73	208988	33	24
208919	63	32	208958	62	1	208990	35	1
208920	20	13	208959	62	7	208991	7	1
208921	20	18	208960	62	26	208992	7	5
208922	60	10	208961	63	7	208993	7	11

CLICK HERE TO **DOWNLOAD** THE COMPLETE MANUAL

- Thank you very much for reading the preview of the manual.
- You can download the complete manual from: www.heydownloads.com by clicking the link below



- Please note: If there is no response to CLICKING the link, please download this PDF first and then click on it.

CLICK HERE TO **DOWNLOAD** THE COMPLETE MANUAL