



406

(SN 43000 and Up)

MLA-4

**Articulated Loader
Parts Manual**

50940353 Rev. G 04/22



CLICK HERE TO **DOWNLOAD** THE COMPLETE MANUAL

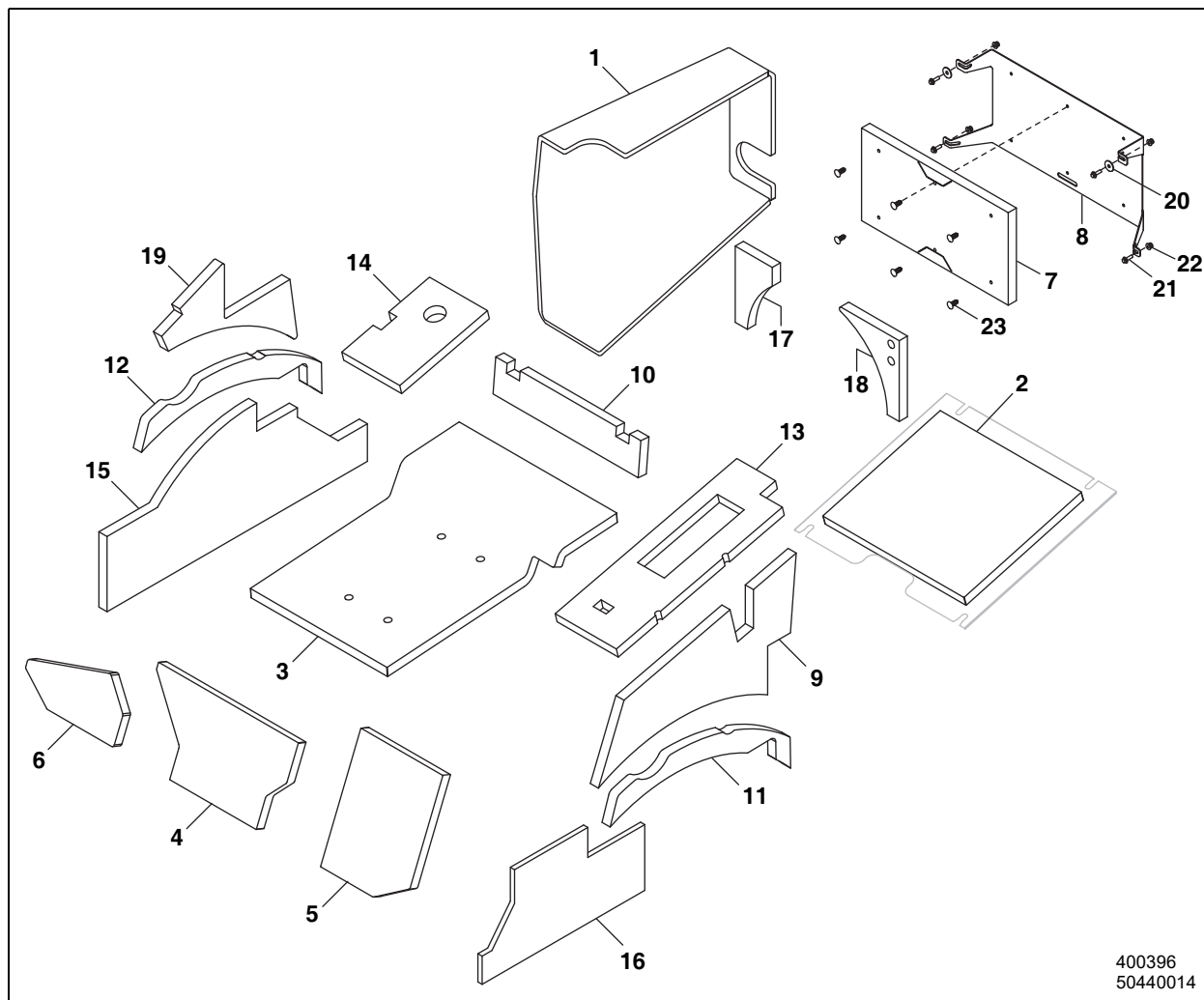
- Thank you very much for reading the preview of the manual.
- You can download the complete manual from: www.heydownloads.com by clicking the link below



- Please note: If there is no response to CLICKING the link, please download this PDF first and then click on it.

CLICK HERE TO **DOWNLOAD** THE COMPLETE MANUAL

406 / MLA-4 - CHASSIS ISOLATION MATS



400396
50440014

Ref. No.	Part No.	Description	Qty.	Ref. No.	Part No.	Description	Qty.
1	271124	FOAM/SOUND/MUFFLER	1	14	50300129	FOAM/SOUND/PLATFORM/UPRT	1
2	272227	FOAM/SKIDPLATE	1	15	50300130	FOAM/SOUND/FRAME/RT	1
3	270936	FOAM/SOUND/PLATFORM	1	16	50300132	FOAM/SOUND/FRAME/LT	1
4	270937	FOAM/SOUND/PLATFORM	1	17	50300140	FOAM/SOUND/RAD/RT	1
5	270939	FOAM/SOUND/PLATFORM	1	18	50300141	FOAM/SOUND/RAD/LT	1
6	270940	FOAM/SOUND/PLATFORM	1	19	50300143	FOAM/SOUND/PLATFORM/RT	1
7	274964	FOAM/HOOD	1	20	651670	FW 1/4 BWZY	2
8	274981	BRKT/FOAM/HOOD	1	21	651693	CS FL M6-1.00X20 C8.8 ZY DIN1662	4
9	50300110	FOAM/SOUND/PLATFORM/LT	1	22	651705	LN INST FL M6-1.00 C8 ZY DIN6926	4
10	50300112	FOAM/SOUND/PLATFORM/REAR	1	23	420-36132	CLIP/TREE	6
11	50300113	FOAM/SOUND/ARCH/LT	1				
12	50300114	FOAM/SOUND/ARCH/RT	1				
13	50300128	FOAM/SOUND/PLATFORM/UPLT	1				

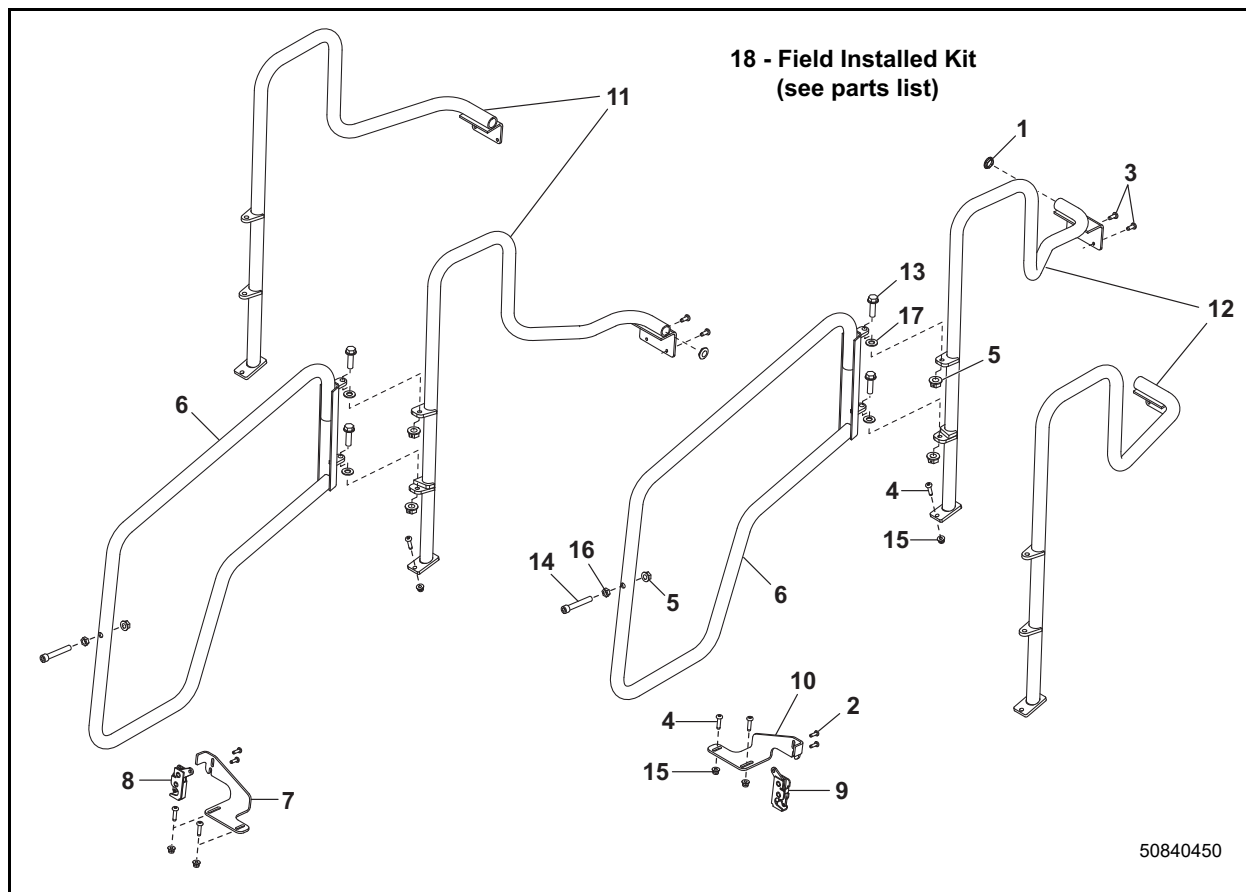
406 / MLA-4 - AXLES
50300926, 50300927 - INTERNAL COMPONENTS (1 OF 3)

Ref. No.	Part No.	Description	Qty.	Ref. No.	Part No.	Description	Qty.
1	203626	HEXAGON NUT M24 X 2 DI	1	52	50286122	SPRING KIT	1
2	203713	WASHER	1	53	50286121	BRAKE BLOCK	1
3	203746	SHAFT SEAL	1	54	203765	BRAKE DRUM	1
4	203753	ROLLER BEARING	1	55	203625	STUD	8
5	203719	RING (5.55MM)	1	56	203776	INPUT FLANGE	1
6	203720	RING (5.60MM)	1	57	203615	CAP SCREW M6 X 18 IS	2
7	203721	RING (5.62MM)	1	58	50280523	AXLE	1
8	203722	RING (5.70MM)	1	59	50280473	PIN	1
9	203723	RING (5.75MM)	1	60	50280528	THRUST WASHER	2
10	203724	RING (5.80MM)	1	61	50280468	DIFFERENTIAL BEVEL GEAR	2
11	203725	RING (5.85MM)	1	62	50280522	AXLE BEVEL GEAR	2
12	203726	RING (5.90MM)	1	63	50280524	THRUST WASHER	2
13	203727	RING (5.95MM)	1	64	50280525	COMPENSATING RING	2
14	203728	RING (6.10MM)	1	65	50286127	DIFFERENTIAL CASE	1
15	203729	RING (6.15MM)	1	66	50280527	COVER	1
16	203730	RING (6.20MM)	1	67	50280478	CAP SCREW	16
17	203731	RING (6.25MM)	1	68	50280479	CAP SCREW	5
18	203732	RING (6.30MM)	1	69	50280474	SET SCREW	2
19	203733	RING (6.35MM)	1	70	50280463	BRAKE	1
20	203734	RING (6.40MM)	1	71	50286126	REPAIR KIT	1
21	203735	RING (6.45MM)	1				
22	203736	RING (6.50MM)	1				
23	203737	RING (6.55MM)	1				
24	203738	RING (6.60MM)	1				
25	203739	RING (6.65MM)	1				
26	203740	RING (6.70MM)	1				
27	203703	RING (5.98MM)	1				
28	203704	RING (6.00MM)	1				
29	203705	RING (6.02MM)	1				
30	203706	RING (6.04MM)	1				
31	203707	RING (6.07MM)	1				
32	203741	BUSHING	1				
33	203751	ROLLER BEARING	1				
34	203708	WASHER (3.3MM)	1				
35	203709	WASHER (3.4MM)	1				
36	203710	WASHER (3.5MM)	1				
37	203711	WASHER (3.6MM)	1				
38	203712	WASHER (3.7MM)	1				
39	50280514	BEVEL GEAR SET	1				
40	203607	O-RING	2				
41	50280476	O-RING	1				
42	203772	AXLE HOUSING	1				
43	50280469	BRAKE CARRIER	1				
45	50286125	MOUNTING KIT	1				
46	50280465	WHEEL CYLINDER	1				
47	203593	CABLE CONTROL	1				
48	50286128	BRACKET	1				
49	50280464	BRAKE CARRIER	1				
50	50286120	BRAKE RESET	1				
51	50286124	GUIDE	1				

**406 / MLA-4 - OPERATOR'S PLATFORM
STEERING COLUMN - DELUXE**

Ref. No.	Part No.	Description	Qty.
37	270717	CLAMP/CONTROL STALK	1
38	270718	STRUT	1
39	270728	CS M8 X 30	1
40	270720	LN INST M8	2
41	270721	SCREW/PTHM M4 X 16	2
42	230064	HN M4	2
44	270724	GRIP	1
45	270725	CAM	1
46	270726	HJN M8	1
47	270727	SPACER	1
48	270728	CS M8 X 30	1
49	270729	LEVER	1
50	195075	RELAY/ 70 AMP (Power-A-Tach lock/ unlock, steering column control lever functions)	1
51	183733	RELAY/20 AMP/MICRO (front and rear work lights)	2
52	50300388	MODULE/FLASHER	1
53	176654	CS FLH M10-1.5X30 C8.8ZY SP DIN1665	4
54	651707	LN INST FL M10-1.50 C8 ZY DIN6926	4
55	242636	PANEL PLUG (BLANK)	A/R
56	50311603	RESISTOR (Fuel Sender)	1

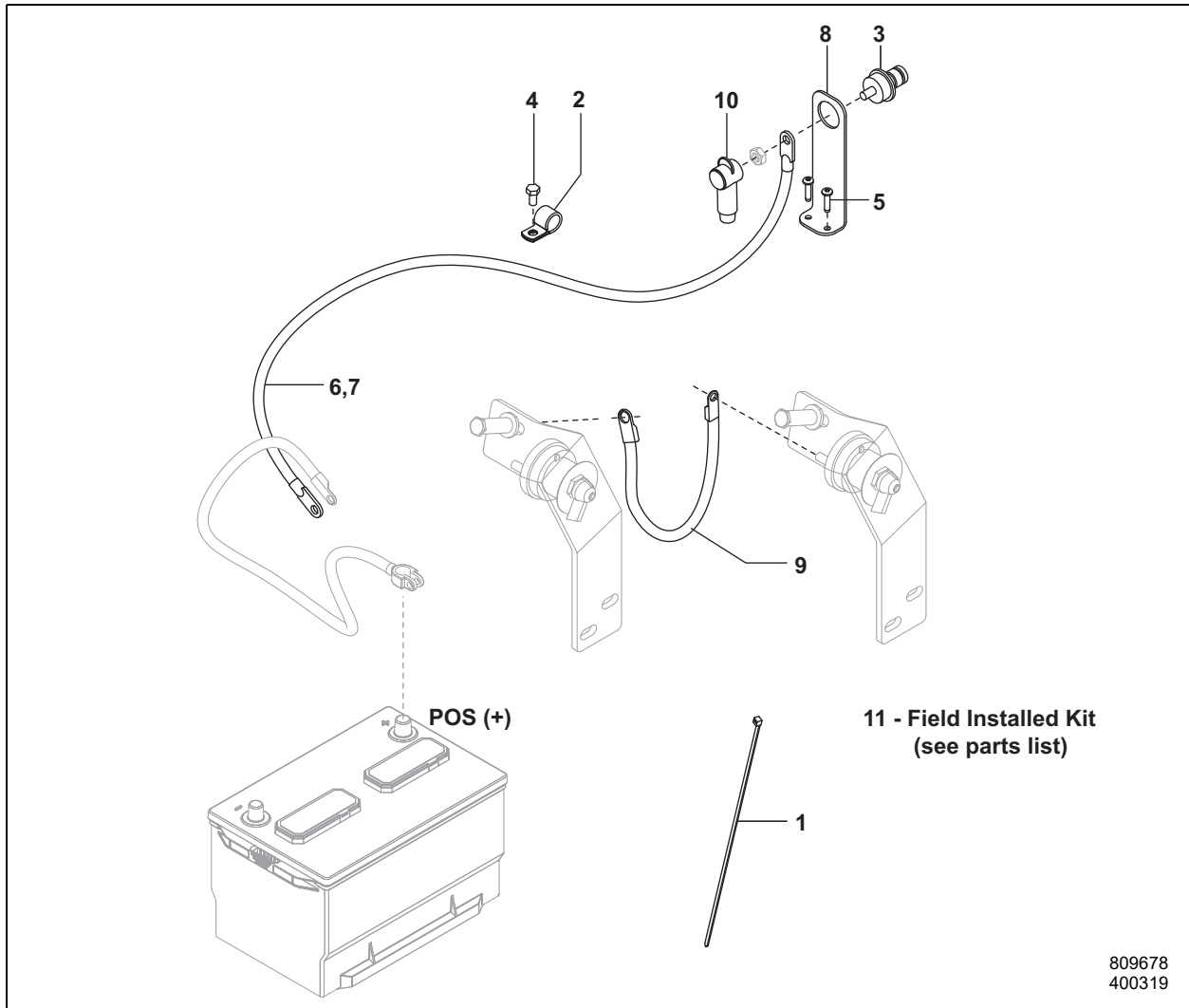
406 / MLA-4 - ROPS/FOPS SIDE GATES - FOUR POST ROPS



Ref. No.	Part No.	Description	Qty.
1	129420	PLUG/PLASTIC .72 DIA. HOLE PLUG	2
2	176680	SCREW/TPH TF TORX M5-0.8X16 CZY	4
3	176681	SCREW/TPH TF TORX M6-1.00X16 CZY	4
4	176682	SCREW/TPH TF TORX M6-1.00X25 CZY	6
5	210-19533	LN FL CTR 3/8 CFZY	6
6	50300350	WDMT/DOOR	2
7	50300357	BRACKET/LATCH/RT	1
8	50300460	LATCH/MINI/ROTARY/RT	1
9	50300514	LATCH/MINI/ROTARY/LT	1
10	50300516	BRACKET/LATCH/LT	1

Ref. No.	Part No.	Description	Qty.
11	50304181	WDMT/SIDEGATE/RH	1
12	50304275	WDMT/SIDEGATE/LH	1
13	50657016	SCREW/THWH TC USL 3/8X1-1/4 CZY	4
14	651298	SHCS HS 3/8X2-1/2 C	2
15	651705	LN INST FL M6-1.00 C8 ZY DIN6926	6
16	653038	HJN 3/8 C2ZY	2
17	654049	FW 3/8 ANZY	4
18	50840450	SIDE GATES/4-POST ROPS	1

406 / MLA-4 - ELECTRICAL REMOTE BATTERY TERMINAL KIT (OPTION)



Ref. No.	Part No.	Description	Qty.
1	055648	TIE/CABLE .19 X 7.50 BLACK	6
2	136226	CLAMP/HOSE .75 X .41 HOLE	1
3	137425	TERMINAL/REMOTE RED (includes nuts and cap)	1
4	176658	CS M8-1.25X16 C8.8ZY SP DIN933	1
5	176682	SCREW/TPH TF TORX M6-1.00X25 CZY	2
6	190758	CABLE/BAT/REMOTE TERM	1
7	190761	LOOM/BATTERY CABLE (not shown)(used on Ref. No. 6)	1
8	274296	BRACKET/REMOTE TERM	1
9	274408	CABLE/GROUND	1
10	274410	BOOT/INSULATOR	1
11	809678	KIT/REMOTE BAT TERM AL2/3/4/500 (Field Installed Kit, includes all parts on page)	1

406 / MLA-4 - HYDRAULICS LIFT ARM HYDRAULICS

Ref. No.	Part No.	Description	Qty.
1	071043	LN SER FL M10-1.50 C10 ZY DIN196	2
2	176353	ST MC15-MBSPP06-L**	5
3	176354	ST MC15-MBSPP08-L**	2
4	176355	ST MC12-MBSPP06-L**	6
5	176356	ST MC12-MBSPP08-L**	4
6	176361	ST BLKHD MC12-MC12-L	2
7	176365	90 FCS12-MC12-L**	6
8	176366	90 FCS15-MC15-L**	3
9	176376	ST MC22-MBSPP12-L**	1
10	176480	COUPLER/MALE MC15	1
11	176481	COUPLER/FEMALE MC15	1
12	176510	PLUG HH MBSPP08**	1
13	176530	ST MC10-MBSPP04-L**	3
14	176779	TEE RUN MC10-MC10-FCS10-L**	2
15	176884	ST MC22-MBSPP08-L**	4
16	184101	VALVE/SOL SV10-24 10T (see Page 62 for details)	2
17	201128	HOSE/MP 5 X 432MM	1
18	201279	ST FCS22-MC15-L**	1
19	270040	CYL/HYD/LIFT (see Page 63 for details)	2
20	270069	90 FCS22-MC22-L**	4
21	270084	CYL/HYD/TILT (see Page 64 for details)	1
22	270227	TEE BR MC12-MC12-FCS12-L**	2
23	270305	HOSE/MP 8 X 546MM*	2
24	270396	CLAMP/TUBE 15MM-10MM TWIN	6
25	271083	COVER/DUST MALE 08	1
26	271084	COVER/DUST FEMALE 08	1
27	271160	LOOMING/GUARD (.75 X 1 FT)	1
29	271636	90 MC18-MABSPP08-L**	1
30	272057	LOOMING/GUARD (.75 X 1.75 FT)	1
32	273270	ST MC12-MORB10-L**	4
33	273334	HOSE/LP 12 X 851MM*	1
34	273385	TUBE	1
35	273386	TUBE	1
36	273387	TUBE	1
37	273388	TUBE	1
38	273389	TUBE	1
39	273390	TUBE	1
40	273391	TUBE	1
41	273392	TUBE	1
42	273393	TUBE	1
43	50301819	BLOCK (used with Ref. No. 85 foam on tube from steering valve to main supply valve)	2
44	273483	BLOCK/CUSTOM	3
45	273534	VALVE/AUXILIARY (see Page 61 for details)	1
46	273563	VALVE/POWER-A-TACH (see Page 62 for details)	1
48	273807	HOSE/MP 6 X 457MM*	1

Ref. No.	Part No.	Description	Qty.
49	273846	TUBE/HYD RETURN	1
50	273852	HOSE/MP 5 X 1473MM*	1
51	273956	TEE BR MC22-MC22-FCS22-L**	1
52	273963	HOSE/LP 12 X 915MM*	1
53	274097	VALVE/CONTROL (see Page 60 for details)	1
54	274153	SHAFT/JOYSTICK	1
55	274162	MANIFOLD/RETURN	1
56	274167	BRACKET/RETURN MANIFOLD	1
57	274186	HANDLE/JOYSTICK	1
59	274736	HOSE/MP 8 X 1168MM	2
60	274740	HOSE/MP 6 X 508MM*	2
61	274746	HOSE/MP 6 X 597MM	2
62	274813	TUBE/HYDRAULIC	2
63	274857	GUARD/POLY HOSE .75 X 12IN (used on Ref. No. 67 hose)	1
65	274865	GUARD/POLY HOSE .75 X 24IN (used on Ref. No. 33 hose)	1
67	275404	HOSE/MP 12 X 1180MM*	1
68	275834	HOSE/MP 6 X 1803MM*	1
69	275835	HOSE/MP 6 X 1270MM*	1
70	275836	HOSE/MP 6 X 533MM*	1
71	651629	CS M8-1.25X110 C10.9 ZY DIN931	2
72	651695	CS FL M8-1.25X25 C8.8 ZY DIN1662	2
73	651705	LN INST FL M6-1.00 C8 ZY DIN6926	4
74	651706	LN INST FL M8-1.25 C8 ZY DIN6926	14
75	651713	CB M8-1.25X25 C8.8 ZY DIN603	4
77	651752	CS M6-1.00X100 C8.8 ZY DIN931	2
78	651802	CB M6-1.00X45 C4.6 ZY DIN603	2
79	651806	CB M10-1.50X70 C4.6 ZY DIN603	2
80	656004	CS M8-1.25X55 C8.8 ZY DIN931	6
81	176659	CS M8-1.25X25 C8.8ZY SP DIN933	2
82	176511	PLUG HH MBSPP04**	2
84	613052	FITTING/GREASE M6X1	6
85	651450	HN M12-1.75 C10 ZY DIN934	2
86	50301732	FOAM/0.25 X 2IN (used with blocks 50301819 on tube from steering valve to main supply valve)	1
87	50301531	TUBE/HYDRAULIC	1
88	656178	CS M8-1.25X120 C8.8 ZY DIN931	1

* See Page 106 for hose/o-ring information.

** See Page 105 for o-ring/seal/description information.

CLICK HERE TO **DOWNLOAD** THE COMPLETE MANUAL

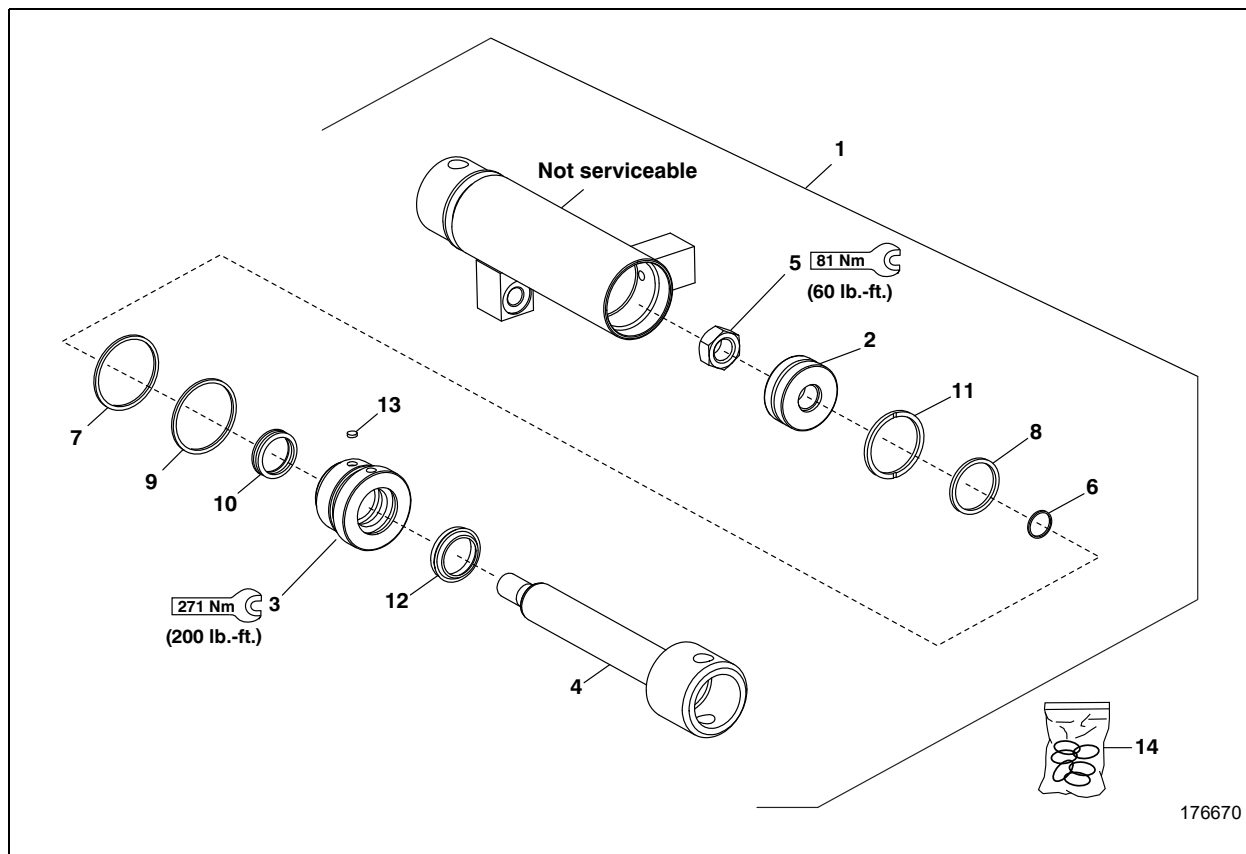
- Thank you very much for reading the preview of the manual.
- You can download the complete manual from: www.heydownloads.com by clicking the link below



- Please note: If there is no response to CLICKING the link, please download this PDF first and then click on it.

CLICK HERE TO **DOWNLOAD** THE COMPLETE MANUAL

406 / MLA-4 - HYDRAULIC CYLINDERS 4-POINT QUICK ATTACH CYLINDER



Ref. No.	Part No.	Description	Qty.
1	176670	CYLINDER (includes Ref. Nos. 2-13)	1
2	203869	PISTON	1
3	203870	HEAD GLAND	1
4	203871	ROD WELDMENT	1
5	270427	LOCKNUT 5/8-18 UNF **	1
6		O-RING *	1
7		O-RING *	1
8		SQUARE RING *	1
9		BACKUP RING, DYNAMIC *	1
10		DEEP Z-SEAL *	1

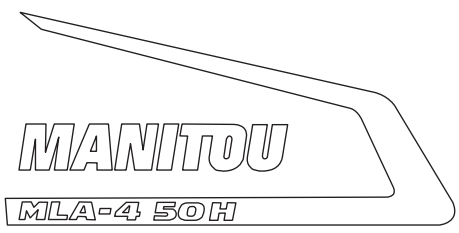
Ref. No.	Part No.	Description	Qty.
11		SQUARE SECT. TFE PISTON SEAL *	1
12		HD ROD WIPER, SEALED OD *	1
13		LOCKING INSERT *	1
14	271986	KIT/SEAL (Includes Ref. Nos. 6-13)	1

* Parts not serviced separately.

** Requires Loctite® 271 or equivalent.


406 / MLA-4 - DECALS COMMON DECALS - MANITOU

8



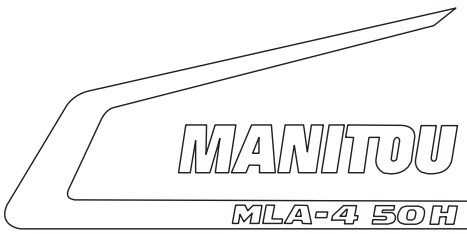
Located on the left rear of the chassis below the platform

11



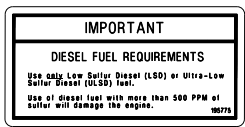
Located on the ROPS/FOPS behind the seat

9



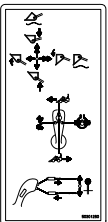
Located on the right rear of the chassis below the platform

12




Located next to the fuel tank filler neck

10



Located behind the joystick

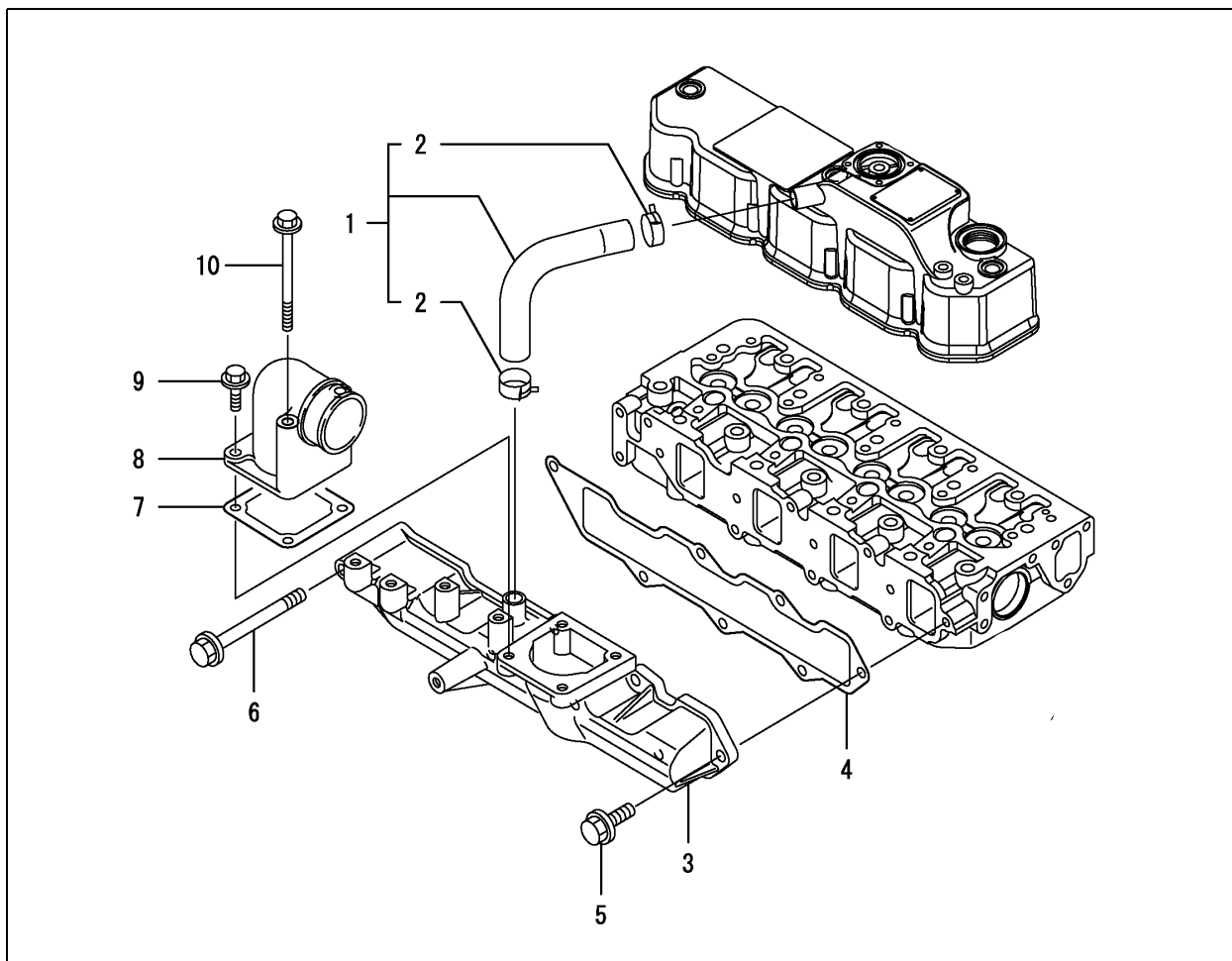
13



50442399

Ref. No.	Part No.	Description	Qty.
1	104945	DECAL/TIE DOWN	4
2	137632	DECAL/HYDRAULIC OIL	1
3	137634	DECAL/DIESEL FUEL	1
4	137660	DECAL, ETHER	1
5	104946	DECAL/ LIFT POINT	4
6	50323880	DECAL/MANITOU/SILVER 13IN	3
7	50324911	DECAL/MANITOU/REFLECTIVE 9 IN	1
8	50324775	DECAL/LEFT/MLA-4	1
9	50324774	DECAL/RIGHT/MLA-4	1
10	50301543	DECAL/JOYSTICK	1
11	201078	DECAL/WARNING	1
12	195775	DECAL/FUEL/SULFUR	1
13	50329031	DECAL/ESSENTIAL	2

406 / MLA-4 - ENGINE INTAKE MANIFOLD



Ref. No.	Part No.	Description	Qty.	Ref. No.	Part No.	Description	Qty.
1	188558	BREATHER PIPE	1	7	425-34649	AIR HEATER GASKET	1
2	188632	CLAMP 24	2	8	270954	AIR INTAKE JOINT	1
3	192303	INTAKE MANIFOLD	1	9	425-34746	BOLT M8 X 20 PLATED	2
4	425-35934	INTAKE MANIFOLD GASKET	1	10	425-34800	BOLT M8 X 80 PLATED	2
5	425-34746	BOLT M8 X 20 PLATED	6				
6	425-34800	BOLT M8 X 80 PLATED	1				

**406 / MLA-4 - ENGINE
FUEL LINE**

Ref. No.	Part No.	Description	Qty.	Ref. No.	Part No.	Description	Qty.
1	186467	BRACKET FILTER	1	13	197868	DECAL	1
2	270979	FILTER/FUEL OIL	1	14	186308	PUMP ASSY FUEL FEED	1
3	425-34760	BOLT M8 X 30 PLATED	2	15	188492	SEPARATOR ASSY	1
4	188688	FUEL OIL PIPE ASSY	1	16	203821	CUP	1
5	425-34916	CLAMP 12	2	17	203822	FILTER	1
6	188691	TUBE	1	18	203823	DRAIN PLUG	1
7	188439	FUEL OIL PIPE	1	19	203824	BREATHER PLUG	1
8	188689	FUEL OIL PIPE ASSY	1	20	203825	BREATHER SEAL	1
9	425-34916	CLAMP 12	2	21	203826	DECAL	1
10	188690	FUEL PIPE PROTECTOR	1	22	425-34744	O-RING 1A P-16.0	1
11	188440	FUEL OIL PIPE	1	23	203827	O-RING	1
12	137953	CLAMP	1				

406 / MLA-4 - HOSE / O-RING COMPATIBILITY

Hose Part Number	Compatible O-Ring Part Number
271343	270541
271344	270542
271391	270538
271524	270541
271526	270541
271464	271309 (6L) 270537 (8L)
271705	270538
271708	270540
271758	274854
271882	270538
271885	270538
271994	270538
271995	270538
271999	270542
272000	270542
272025	270539
272026	270539
272027	270539
272207	270538 (2)
272217	270538 (2)
272473	270538 (2)
272474	270538 (2)
272475	270538 (2)
273196	270538 (2)
273197	270538
273198	270545 (2)
273199	270545 (2)
273200	270545 (2)
273334	270542
273343	270542 (2)
273380	270538
273381	270540 (2)
273402	271309 (6L) 270538 (10L)
273487	270538
273492	270538 (2)
273510	270539

Hose Part Number	Compatible O-Ring Part Number
273513	270539
273515	270539
273581	270540
273612	270542
273698	270542
273699	271309 (6L) 270538 (10L)
273718	270538
273775	270539
273777	270539
273807	270539
273814	270540
273823	270539
273852	270538 (2)
273875	270538
273876	270538
273880	270538
273882	270540
273963	270542
274124	270540 (2)
274128	270539
274206	270540
274207	270540
274208	270540
274261	270540
274263	270540 (2)
274276	270538 (2)
274277	270538 (2)
274310	270542
274329	270537
274337	270545 (20S) 271361 (62-12)
274338	270545 (20S) 271361 (62-12)
274351	270538
274367	270541
274444	270538 (2)
274529	270538 (2)

Hose Part Number	Compatible O-Ring Part Number
274740	270539 (2)
274746	270539 (2)
274885	270538 (2)
274891	270542
274892	270538 (2)
274901	270544 (2)
274988	270542
275259	270542 (2)
275368	270538 (2)
275379	270540 (2)
275382	270541 (2)
275383	270541 (2)
275384	270542 (2)
275404	270542 (2)
275834	270539
275835	270539
275836	270539
275889	270540 (2)
275973	270538 (2)
50300419	270540 (2)
50300420	270540 (2)
50300545	270542

Part No.	Page No.	Ref. No.	Part No.	Page No.	Ref. No.	Part No.	Page No.	Ref. No.
055021	39	1	104378	50	4	138474	88	3
055335	104	1	104945	75	1	138520	93	32
055648	46	23	104945	77	1	139476	104	34
055648	47	1	104946	75	5	160427	93	35
055648	48	6	104946	77	5	167751	1	16
062023	39	2	119887	25	5	167753	1	18
062023	81	1	121897	62	4	167763	1	15
062756	68	1	122488	45	2	167765	1	17
064478	23	1	122840	62	3	175519	104	2
064479	23	2	123554	68	4	175520	104	3
067880	42	1	129420	37	1	175624	25	6
067950	25	2	129933	50	5	175682	31	2
067950	35	1	131529	4	3	175682	35	3
068034	68	2	132050	4	4	175682	36	2
068938	50	1	132051	4	5	175802	9	1
071043	5	1	134594	68	5	175830	59	1
071043	57	1	134880	40	1	175830	65	1
071044	10	1	135620	58	1	175921	49	1
071249	33	15	136226	47	2	175922	49	2
071250	25	3	137063	81	3	175934	5	3
071401	69	1	137425	47	3	175936	5	4
073535	31	1	137462	36	1	175978	23	4
075237	39	3	137632	75	2	175980	23	5
075505	42	2	137632	77	2	175980	68	6
075722	63	6	137634	75	3	175980	71	12
076099	4	1	137634	77	3	176076	81	5
076099	5	2	137660	75	4	176142	5	5
076099	23	3	137660	77	4	176149	101	91
076100	35	2	137842	79	1	176150	101	134
076588	68	3	137846	79	3	176193	5	6
076589	4	2	137953	97	12	176202	91	4
080319	65	6	138076	93	36	176203	81	6
080926	68	14	138104	88	7	176221	23	6
087849	91	1	138113	86	10	176309	104	4
087850	91	2	138117	90	7	176313	91	5
088912	25	4	138140	85	18	176333	91	6
091666	43	1	138140	88	6	176334	91	7
091667	43	2	138154	83	57	176353	57	2
091716	81	29	138154	85	22	176354	57	3
093362	50	2	138154	86	21	176355	57	4

Part No.	Page No.	Ref. No.	Part No.	Page No.	Ref. No.	Part No.	Page No.	Ref. No.
651708	9	31	651763	36	34	656022	71	10
651708	11	6	651765	31	27	656023	11	4
651708	25	42	651765	35	34	656039	25	50
651708	31	22	651765	36	35	656040	14	11
651708	35	31	651770	9	35	656047	25	51
651708	36	32	651774	9	36	656047	39	33
651709	81	24	651774	41	20	656047	41	24
651710	58	7	651802	57	78	656047	81	26
651711	91	13	651806	57	79	656048	39	34
651713	31	23	651819	25	45	656048	40	5
651713	35	38	653007	36	36	656048	42	25
651713	57	75	653038	37	16	656048	43	10
651713	104	32	653039	41	21	656048	58	12
651714	11	7	653053	41	22	656062	9	38
651716	24	24	654002	69	12	656062	42	26
651717	14	9	654004	25	46	656063	41	25
651720	9	28	654004	36	37	656063	58	13
651720	24	25	654004	58	10	656088	42	27
651720	25	43	654004	81	25	656090	42	28
651720	39	31	654009	12	7	656111	33	19
651720	58	8	654012	31	24	656111	58	24
651720	91	14	654012	35	35	656116	36	40
651722	46	7	654012	36	38	656117	4	15
651724	42	23	654045	41	23	656117	23	17
651729	9	32	654049	37	17	656117	68	21
651730	38	14	654055	58	26	656117	71	16
651733	42	24	655006	9	37	656122	25	52
651734	58	9	655006	25	48	656123	13	3
651742	9	33	656002	58	11	656133	50	30
651742	10	8	656004	57	80	656152	9	39
651742	31	26	656006	49	8	656158	10	9
651747	14	10	656007	5	21	656172	31	25
651748	35	32	656008	9	34	656172	35	36
651748	36	33	656010	46	13	656172	36	41
651752	57	77	656012	25	49	656178	57	88
651759	25	44	656015	68	20	660068	91	16
651759	39	32	656015	71	15	809441	12	1
651759	48	4	656017	12	8	809445	46	28
651763	31	29	656019	25	11	809479	13	5
651763	35	33	656019	36	39	809595	69	13

CLICK HERE TO **DOWNLOAD** THE COMPLETE MANUAL

- Thank you very much for reading the preview of the manual.
- You can download the complete manual from: www.heydownloads.com by clicking the link below



- Please note: If there is no response to CLICKING the link, please download this PDF first and then click on it.

CLICK HERE TO **DOWNLOAD** THE COMPLETE MANUAL