



2700V NXT2 | 2700V NXT2 (EU)

2700V NXT2 X-Series

(SN 044001 and Up)

3300V NXT2 | 3300V NXT2 (EU)

3300V NXT2 X-Series

(SN 143001 and Up)

Skid-Steer Loader
Parts Manual

50950151 Rev. G 03/19



CLICK HERE TO **DOWNLOAD** THE COMPLETE MANUAL

- Thank you very much for reading the preview of the manual.
- You can download the complete manual from: www.heydownloads.com by clicking the link below



- Please note: If there is no response to CLICKING the link, please download this PDF first and then click on it.

CLICK HERE TO **DOWNLOAD** THE COMPLETE MANUAL

CHASSIS

Ref. No.	Part No.	Description	Counterweight 3300V Quantity
1	132681	NUT/HEX LOCK INST 1.00	2
2	134853	NUT/SPIRALOCK™ 1/2	4
3	134966	WASHER/FLAT HARDENED 1/2	8
4	244322	COUNTERWEIGHT/CAST	1
5	50354258	PLATE/FLOOR WEIGHT	1
6	650502	SCREW/CAP 1/2 X 2-1/4	4
7	651816	SCREW/CAP 1 X 4-1/2	2
8	654016	WASHER/FLAT 1.00	2

HVAC AND HEATER-ONLY

Ref. No.	Part No.	Description	Quantity DPF HVAC
1	055648	TIE/CABLE 3/16 X 7-1/2	6
2	071703	NUT/LOCK HEX 3/8	1
3	075196	CLAMP/HOSE 1-1/2 X 13/32 HOLE	1
4	076589	SCREW/CAP LOCKING 3/8 X 1	1
5	090666	NUT/HEX LOCK FLANGE SERRATED 3/8	3
6	094762	NUT/LOCK OVAL TOP 3/8	4
7	095955	CLAMP/HOSE #10	14
8	104052	FITTING/STRAIGHT HB10-MBSPT06	2
9	131842	NUT/SPIRALOCK™ 5/16	6
10	134588	NUT/SPIRALOCK™ 1/4	2
11	136304	KNOB/HEATER SWITCH	1
12	136305	SWITCH/HEATER	1
13	137797	NUT/WHIZLOCK SERRATED FLANGE #10	3
14	138649	RECEIVER/DRYER/AC	1
15	138651	CLAMP/RECEIVER DRYER	1
16	138714	SWITCH/BINARY/AC	1
17	138723	VALVE/EXPANSION/AC	1
18	138777	O-RING/AC/#6 FITTING	6
19	138778	O-RING/AC/#8 FITTING	4
20	138779	O-RING/AC/#10 FITTING	4
21	139952	PULLEY/VEE W/BEARING	1
22	186193	FITTING/STRAIGHT 1/2 MPT X 5/8 HOSE	1
23	186703	VALVE/SOLENOID HEATER/AC	1
24	187030	CAP/DRIP	2
25	189033	MODULE/AC CONTROL	1
26	191351	FITTING/ELBOW 90° 1/2 NPT	1
27	193002	BRACKET/HEATER VALVE	1
28	195110	SCREW/ #8 X 1/2 PHILLIP FLAT HEAD	16
29	195585	TUBE/AC #10	1
30	195588	TUBE/AC/#6	1
31	195605	HOSE/#6/AC	1
32	195606	HOSE/#10/AC	1
33	195660	FILTER/HVAC FRESH AIR	1
34	210-19470	NUT/LOCK FLANGE SERRATED 5/16	5
35	240461 a	ASSY/MAIN HVAC HOUSING	1
36	241008	PULLEY/CRANK/AC/YANMAR	1
37	241010	TENSIONER/BELT	1
38	241208	PLATE/HEATER TUBES	1
39	241209	HOSE/HEATER	2
40	241385	SPACER/PULLEY	1
41	241486	PLATE/COVER LOUVERED	1
42	241844	SPACER/ALTERNATOR	1
43	242145	RELAY/SEALED	1
44	242437	VENT	4
45	242534	PLUG/PASS-THROUGH TUBE	2
46	242537	TUBE/FORWARD HVAC	2
47	242831	COVER/RECIRC	2
48	242832	FILTER/RECIRC	2
49	242833	PAD/SEALING FILTER	2
50	242862	GROMMET/HVAC COMPT	1

a) For breakdown see "Section B" of this manual.

Parts Listing Continued On Next Page

HVAC AND HEATER-ONLY

continued from previous page

Ref. No.	Part No.	Description	Quantity Non-DPF HVAC
51	242862	GROMMET/HVAC COMPT	1
52	242863	PAD/FOAM SEALING STRIP	1
53	242917	PAD/HOUSING TOP	1
54	243013	PAD/HOUSING LEFT	1
55	243014	PAD/HOUSING RIGHT	1
56	243017	PAD/HVAC HEADLINER SEAL	1
57	243076 a	ASSY/CONDENSER	1
58	243445	CLIP/HOSE RETAINING	4
59	243493	BRACKET/COMPRESSOR	1
60	243737	HOSE/MOLDED HEATER (SUPPLY)	1
61	243738	HOSE/MOLDED HEATER (RETURN)	1
62	243741	TUBE/HEATER	1
63	244496	KNOB/HVAC TEMP CONTROL	1
64	244770	TUBE/DRAIN HVAC	2
65	244813	COVER/DRAIN HVAC RIGHT	1
66	244814	COVER/DRAIN HVAC LEFT	1
67	244815	HOSE/MENDER 1/2 HOSE	2
68	245235	CLAMP/HOSE WIRE 3/4 OD	2
69	420-35671	SPONGE/RUBBER 2.00	1
70	50304271	HOSE/AC -06 X 25-1/2	1
71	50351041	HARNESS/HVAC CAB	1
72	50352031	HOSE/AC #8	1
73	50352424	SLEEVE HG28 X 27	1
74	50352428	COMPRESSOR/AC	1
75	50353865	ASSY/BRACKET DRYER MOUNT	1
76	50353890	ASSY/BRACKET HEATER VALVE	1
77	50353904	HOSE/HEATER -10 X 6-1/2	1
78	50353911	HOSE/HEATER -10 X 58	1
79	50353912	HOSE/HEATER -10 X 43	1
80	50353920	HARNESS/HVAC CHASSIS	1
81	50354368	BELT/AC	1
82	50354574	HOSE/AC -6 X 21-1/2	1
83	50354578	HOSE/AC -10 X 68	1
84	50354581	STRAP/CINCH -6	1
85	50354597	TUBE/HVAC HIGH PRESSURE	1
86	50354601	CUSHION/TUBE 1/2	1
87	50354602	CUSHION/COVER 1/2	1
88	650419	SCREW/CAP 1/4 X 1-1/4	2
89	650579	SCREW/CAP 3/8 X 1-3/4	1
90	650687	BOLT/CARRIAGE 5/16 X 3/4	2
91	650851	SCREW/CAP 3/8 X 4-1/2	4
92	650969	BOLT/CARRIAGE ROUND HEAD SOCKET SQUARE NECK 5/16 X 5/8	4
93	651307	SCREW/MACHINE PAN HEAD CROSS RECESSED 1/4 X 1/2	4
94	651308	SCREW/MACHINE PAN HEAD CROSS RECESSED 1/4 X 3/4	4
95	651395	SCREW/CAP M10 X 30 MM	4
96	656001	SCREW/CAP M8 X 20 MM	4
97	654004	WASHER/FLAT 5/16	4
98	654049	WASHER/FLAT 3/8	6
99	656133	WASHER/FLAT M10	3
100	L45666	CLAMP/HOSE 1 X .41 HOLE	1

a) For breakdown see "Section B" of this manual.

HVAC AND HEATER-ONLY

Ref. No.	Part No.	Description	HVAC Quantity
1	241312	SEAL/FOAM SIDE	2
2	241346	SEAL/FOAM BOTTOM	2
3	50309427	HEADLINER/DUCT A/C	1
4	242482	KNOB/CLAMPING 5/16 STUD	2
5	243973	DECAL/FAN SPD	1
6	244681	HOUSING/HVAC	1
7	245211	SPRING/GAS	2
8	50350388	GAS SPRING 2050N	2
9	50657031	SCREW/CAP 3/8 X 1	8
10	651308	SCREW/MACHINE CROSS RECESSED PAN HEAD 1/4 X 3/4	4
11	651363	WASHER/FLAT 3/8	8
12	651807	WASHER/FLAT 1/4	4

ROPS/FOPS STRUCTURE

Ref. No.	Part No.	Description	Non-HVAC Quantity
1	245211	SPRING/GAS	2
2	50307213	DECAL/COVER BACK	1
3	50309401	HEADLINER/NON A/C	1
4	50309853	COVER/UPPER ROPS	1
5	50314758	SEAL/FOAM	1
6	50315179	SEAL/FOAM	1
7	50350716	SPRING/GAS 1750N	2
8	50657031	SCREW/CAP 3/8 X 1	8
9	651308	SCREW/MACHINE PAN HEAD CROSS RECESSED 1/4 X 3/4	4
10	651363	WASHER/FLAT 3/8	8
11	651807	WASHER/FLAT 1/4	4

SEATS - THREE-POINT RESTRAINT SEAT BELT OPTION

Ref. No.	Part No.	Description	3-Point Restraint System	
			Quantity 2" Seat Belt	Quantity 3" Seat Belt
1	081371	NUT/HEX LOCK 7/16	5	5
2	184007	TAB/RETRACTOR MOUNT	1	1
3	186834	SPACER	1	1
4	243284 a	RESTRAINT ASSEMBLY/2" THREE-POINT	1	-
	243289 a	RESTRAINT ASSEMBLY/3" THREE-POINT	-	1
5	650630	SCREW/CAP 7/16 X 1	5	5
6	654046	WASHER/FLAT 7/16	5	5

a) Restraint assemblies includes all associated hardware, except PN 184007.

Ref. No.	Part No.	Description	DPF Models Quantity
1	061946	CLAMP/HOSE #24	2
2	062023	CLAMP/HOSE #05	11
3	062397	FITTING/45° MJ10-MAORB10	1
4	067761	FITTING/90° MJ10-MAORB10	1
5	070634	NUT/SERRATED LOCK 1/4	2
6	071246	NUT/LOCK M10	1
7	071401	NUT/HEX INST LOCK 1/4	2
8	072580	FITTING/STRAIGHT MJ10-MORB10	1
9	075196	CLAMP/HOSE 1-1/2 X 13/32 HOLE	1
10	132707	WASHER/HARD 3/8 PLAIN	16
11	135427	WASHER/SNUBBING	8
12	136226	CLAMP/HOSE 3/4 X 13/32 HOLE	6
13	137063	ISOLATOR	2
14	184688	WASHER/FIBERGLASS	2
15	189640	ISOLATOR	2
16	193105	ASSEMBLY/ENGINE MOUNT (FW END)	1
17	193131	ENGINE MOUNT/LEFT	1
18	193569	BRACKET/ALTERNATOR	1
19	193971	MOUNT/FILTER	1
20	194068	ADAPTER/FILTER (SERVICE PART INDENTED BELOW)	1
	191651	O-RING 230 N70	1
21	195221	ASSEMBLY/DIPSTICK	1
22	210-19470	NUT/LOCK FLANGE SERRATED 5/16	11
23	230-30569	FITTING/STRAIGHT MJ10-MORB08	3
24	240021	HOSE ASSEMBLY/OIL DRAIN	1
25	241459	ALTERNATOR/ISKRA 100 A (SERVICE PART INDENTED BELOW)	1
	241477	BELT/ALTERNATOR	1
26	241562	SPACER/ALTERNATOR	1
27	241563	SPACER/ALTERNATOR	1
28	241590	BOLT/CARRIAGE 5/8 X 4-1/2	2
29	241605	BOLT/CARRIAGE 5/8 X 4	2
30	241932	SPACER/ALTERNATOR	1
31	242390	PLUG MBSPT06	1
32	242959	MOUNT/ENGINE	1
33	244365	COUPLER/FLEX	1
34	244955	HOSE/FUEL 5/16 X 8	1
35	245012	HOUSING/FLYWHEEL	1
36	50301805	FITTING/45° MJ10-MAORB08	1
37	50304477	BRACKET/FUEL/WATER SEPERATOR	1
38	50311558	NECK/ENGINE OIL FILL	1
39	50311574	FITTING/STRAIGHT HB24-MM33	1
40	50311580	PLATE/OIL DRIP	1

Parts Listing Continued On Next Page

AIR CLEANER AND EXHAUST

Ref. No.	Part No.	Description	Non-DPF Models Quantity
1	090666	NUT/LOCK SERRATED FLANGE 3/8	4
2	095955	CLAMP/HOSE #10	2
3	127428	CLAMP/MUFFLER 2-1/2	1
4	070648	NUT/HEX LOCK 5/16	2
5	137049	CLAMP/T-BOLT 2-1/2	1
6	183998	CLAMP/AIR CLEANER	1
7	184099	ELBOW 90° W/ INDICATOR TAP	1
8	184605	CLAMP/T-BOLT 3-1/2	2
9	186014	ASSEMBLY/AIR CLEANER	1
	184146	FILTER ELEMENT/PRIMARY	1
	184195	FILTER ELEMENT/SECONDARY	1
	187725	VALVE/EVACUATOR	1
	187726	END CAP/AIR CLEANER	1
10	187581	CLAMP/HOSE #44 LINER	1
11	192932	OUTLET/EXHAUST	1
12	193154	GASKET/FLANGE/EXHAUST	1
13	195125	HOSE/INTAKE/AIR	1
14	50300170 b	CLAMP/HOSE #40 TENSION	1
	240083 a	CLAMP/T-BOLT 2-3/8	1
15	272299	INDICATOR/SERVICE	1
16	50352793	ELBOW MOLDED/INTAKE 46 MM	1
17	50353150	SPACER/BREATHER PLUG	1
18	50353195	TUBE/INTAKE	1
19	50353203	HOSE/BREATHER 5/8 TRANSITION	1
20	50353715	COUPLER/FLEX	1
21	50353782	MUFFLER	1
22	50353812	FITTING/STRAIGHT MP02-MM10 FILTER	1
23	650745	BOLT/CARRIAGE 5/16 X 1-1/4	2
24	650786	BOLT/CARRIAGE 3/8 X 1-1/4	4
25	651297	SCREW/CAP 3/8 X 1	4
26	656123	SCREW/CAP SOCKET HEAD M8 X 25 MM	4
27	L75990	CLAMP/HOSE #16	1

a) 2700V Models: SN 044918 and Before. 3300V Models: SN 134829 and Before.

b) 2700V Models: SN 044919 and Up. 3300V Models: SN 134830 and Up.

HYDRAULICS - CHASSIS

Ref. No.	Part No.	Description	Quantity
1	054626	FITTING/STRAIGHT MJ08-MORB08	1
2	055005 c	FITTING/90° MJ12-MAORB12	1
	072587 c	FITTING/STRAIGHT MJ12-MORB12	1
3	055030	CLAMP/HOSE #28	2
4	055064	FITTING/45° MJ12-MAORB12	1
5	058805	CLAMP/HOSE 1-1/8 X 13/32 HOLE	1
6	058859	FITTING/STRAIGHT MJ12-MORB08	1
7	064260	NUT/HEX LOCK 5/16	1
8	070856	NUT/LOCK SERRATED FLANGE 3/8	4
9	072615	FITTING/90° MJ10-MAORB12	1
10	075196	CLAMP/HOSE	1
11	079092	FITTING/TEE RUN MJ12-MAORB12-MJ12	1
12	127342	CAP/HYDRAULIC RESERVOIR	1
13	132049	TEMPERATURE SWITCH	1
14	134756	SIGHT PORT/OIL LEVEL	1
15	138744	HOSE/PRESSURE 1/2 X 25	1
16	138877	FILTER/VENTILATION	1
17	139438	SCREW/CAP FLANGE LOCK 3/8 X 5/8	1
18	170-34119	HOSE/1-1/2 X 4	1
19	210-19470	NUT/LOCK FLANGE SERRATED 5/16	2
20	50304145	HOSE/HYDRAULIC -10 X 27	1
21	50312325 b	ASSY/FILTER/HYD (SERVICE PARTS INDENTED BELOW)	1
	50250586 b	INDICATOR/FILTER	1
	074830	FILTER/OIL	1
	243117 a	ASSY/FILTER/HYD (SERVICE PARTS INDENTED BELOW)	1
	243118 a	INDICATOR/FILTER	1
	074830	FILTER/OIL	1
22	50313082 c	HOSE/HYDRAULIC -10 X 49	1
	50353596 c	TUBE/HYDRAULIC -12 FILTER	1
23	50351210	MANIFOLD/HYDRAULIC RETURN	1
24	50352242	TUBE/HYDRAULIC DRAIN	1
25	50353558	TUBE/HYDRAULIC -12 TANK DRAIN	1
26	50353637	HOSE/HYDRAULIC -12 X 38	1
27	50353707	TAB/MOUNT TUBE BULKHEAD	1
28	50354533	TUBE/FILL NECK	1
29	50354538	BRACKET/FILL TUBE	1
30	50354608	TANK/HYDRAULIC	1
31	650510	SCREW/TAPPING HEX WASHER HEAD THREAD CUTTING 5/16 X 1/2	3
32	650573	BOLT/CARRIAGE 5/16 X 1	1
33	650969	BOLT/CARRIAGE SQUARE NECK 5/16 X 5/8	2
34	651041	SCREW/MACHINE HEX WASHER HEAD 3/8 X 3/4	4

a) 2700V Models: SN 044717 and Before (see exemption in note b). 3300V Models: SN 143603 and Before

b) 2700V Models: SN 044718 and Up, plus 044538. 3300V Models: SN 143604 and Up

c) Straight fitting 072587 and hydraulic tube 50353596 have been replaced by a 90° fitting 055005 and hydraulic hose 50313082.

HYDRAULICS - CHASSIS

Ref. No.	Part No.	Description	H/F, DJS Quantity
1	054819	FITTING/STRAIGHT MJ12-MORB10	2
2	054994	FITTING/STRAIGHT MJ06-MORB06	3
3	055005	FITTING/90° MJ12-MAORB12	1
4	068938	FITTING/90° MJ06-MAORB06	3
5	072580	FITTING/STRAIGHT MJ10-MORB10	4
6	072587	FITTING/STRAIGHT MJ12-MORB12	2
7	076078	CLAMP/HOSE 3/8 X 11/32 HOLE	1
8	076587	SCREW/CAP HEX FLANGE LOCKING 5/16 X 5/8	4
9	095456	FITTING/45° MJ06-FJS06	1
10	129124	FITTING/STRAIGHT MJ06-MORB04	2
11	134588	NUT/SPIRALOCK™ 1/4	2
12	137784	FITTING/90° MJ06-MAORB04	1
13	175377	FITTING/TEE MJ06-MAORB04-MJ06	1
14	193665	FITTING/45° HB20-MAORB20	1
15	193743	CLAMP/T-BOLT 1-3/4	2
16	194210	HOSE/PRESSURE 3/8 X 28-1/2	1
17	194732	FITTING/90° MJ06-MAORB06	2
18	210-19470	NUT/LOCK FLANGE SERRATED 5/16	2
19	241422	TUBE/HYDRAULIC	1
20	50351211 a	VALVE/HYD SOLENOID 3-WAY	1
21	50351213	TUBE/HYD PILOT	1
22	50317198	TUBE/HYD -06 DRAIN (TUBE REPLACES 50351217 HOSE)	2
23	50351219	STRAP	2
24	50351227	HOSE/HYD PILOT PRESSURE	1
25	50351232	HOSE/HYDRAULIC	1
26	50351268	BRACKET/MTG SUPPLY VALVE	1
27	50315576 a	VALVE/3-SPOOL PILOT	1
28	50352203	TUBE/HYD/CASE DRAIN	1
29	50305225 ac	PUMP SINGLE 36CC/12 TOOTH	1
	50352625 ab	PUMP SINGLE 36CC	1
30	50352741	GROMMET 3/8 ID X 3/8 GW X 1.00 GD	1
31	50353131	HOSE/HYD -12 X 28	1
32	50354005	FITTING/90° HB20-MAORB20 WITH -06 CONNECTION	1
33	50354008	HOSE/HYD -20 X 28-1/2	1
34	650518	NUT/HEX LARGE FLANGE 5/16	2
35	650573	BOLT/CARRIAGE 5/16 X 1	2
36	650839	SCREW/CAP 1/4 X 2-1/4	2
37	651065	BOLT/CARRIAGE ROUND HEAD SOCKET SQUARE NECK 5/16 X 1	1
38	651406	SCREW/CAP M12 X 35 MM	2
39	654030	WASHER/LOCK 1/2	2

a) For breakdown see "Section B" of this manual.

b) 2700V Models: SN 044279 and Before. 3300V Models: SN 143237 and Before

c) 2700V Models: SN 044280 and Up. 3300V Models: SN 143238 and Up

HYDRAULICS - CHASSIS

Ref. No.	Part No.	Description	w/ Self-Level H/F, DH, DJS Qty
1	064260	NUT/HEX LOCK 5/16	6
2	067761	FITTING/90° MJ10-MAORB10	1
3	072580	FITTING/STRAIGHT MJ10-MORB10	1
4	079097	CLAMP/TUBE 3/4 TWIN	3
5	079098	PLATE/TOP SIZE 2 TWIN FLAT	3
6	079126	CLAMP/TUBE 5/8 TWIN	1
7	088904	CLAMP/TUBE 1/2 TWIN	4
8	131842	NUT/SPIRALOCK™ 5/16	2
9	191763	SPACER 3/4 OD X 13/32 ID	2
10	194528	BRACKET/HARNESS	2
11	245055	PLATE/TWIN FLAT	3
12	271958 a	VALVE/SELF LEVEL W/BYPAS	1
13	50351125	FITTING/Y MJ10-MJ10-MORB10	2
14	50351150	TUBE/HYD LIFT	1
15	50351151	TUBE/HYD LIFT	1
16	50351154	TUBE/HYD TILT	1
17	50351167	TUBE/HYD LIFT	1
18	50351168	TUBE/HYD TILT	1
19	50351169	TUBE/HYD TILT	1
20	50351182	TUBE/HYD LIFT	1
21	50351183	TUBE/HYD LIFT	1
22	50351192	TUBE/HYD STD AUX	1
23	50351193	TUBE/HYD STD AUX	1
24	50351250	TUBE/HYD LIFT	1
25	50351253	TUBE/HYD TILT	1
26	650547	SCREW/CAP 5/16 X 3-1/2	2
27	650725	SCREW/CAP 5/16 X 2-1/4	3
28	651760	BOLT/CARRIAGE 5/16 X 4-3/4	2
29	652040	BOLT/CARRIAGE 5/16 X 2-1/2	1
30	654004	WASHER/FLAT 5/16	2

a) For breakdown see "Section B" of this manual.

HYDRAULICS - LIFT ARM

Ref. No.	Part No.	Description	High-Flow Quantity
1	054994	FITTING/STRAIGHT MJ06 X MAORB06	1
2	076078	CLAMP/HOSE 3/8 X 11/32 HOLE	2
3	50352739	BLOCK/COUPLER	1
	50352909	KIT/SERVICE MALE QUICK-COUPLER	1
	50352910	KIT/SERVICE FEMALE QUICK-COUPLER	1
	50352912	KIT/SERVICE RETURN QUICK-COUPLER	1
	50352914	KIT/SERVICE 3/4 SAE FITTING	1
4	240918	TUBE/HIGH FLOW UPPER	1
5	240922	TUBE/HIGH FLOW LOWER	1
6	241069	TUBE/DRAIN HIGH FLOW	1
8	241785	HOSE/MEDIUM PRESSURE 3/4 X 47	2
9	241788	HOSE/MEDIUM PRESSURE 3/8 X 40	1
10	242577	PLATE/TUBE	2
11	650629	SCREW/CAP 3/8 X 3-1/4	2
12	50351222	SCREW/TAPPING HEX WASHER HEAD THREAD FORMING 5/16 X 1-3/4	2
13	654049	WASHER/FLAT 3/8	2

CLICK HERE TO **DOWNLOAD** THE COMPLETE MANUAL

- Thank you very much for reading the preview of the manual.
- You can download the complete manual from: www.heydownloads.com by clicking the link below



- Please note: If there is no response to CLICKING the link, please download this PDF first and then click on it.

CLICK HERE TO **DOWNLOAD** THE COMPLETE MANUAL

CONTROLS - ENGINE

Ref. No.	Part No.	Description	Quantity DH, DJS
1	054885	JOINT/BALL	2
2	056937	WASHER/FLAT 25/32	2
3	075288	PIN/ROLL 5/16 X 1-1/4	1
4	121002	NUT/LOCK NYLON INSERT 1/4	2
5	128316	BEARING/BRONZE	2
6	134588	NUT/SPIRALOCK™ 1/4	2
7	194686	BRACKET/THROTTLE	1
8	195161	ROD/THREADED 1/4	1
9	195213	LINK/THROTTLE	1
10	210-19470	NUT/LOCK FLANGE SERRATED 5/16	2
11	242044	PEDAL/THROTTLE	1
12	242492	SPRING	2
13	50350203	BRACKET/THROTTLE	1
14	50353984	BODY/THROTTLE	1
15	650196	SCREW/CAP SOCKET HEAD CUP POINT 1/4 X 5/16	2
16	650426	SCREW/CAP 1/4 X 1-1/4	2
17	650546	NUT/HEX 1/4	2
18	650580	WASHER/FLAT 3/16	2
19	650745 a	BOLT/CARRIAGE 5/16 X 1-1/4	2
	650545 a	SCREW/CAP 5/16 X 1-1/4	2
20	650579	SCREW/CAP 3/8 X 1-3/4	1
21	653038	NUT/HEX JAM 3/8	1
22	654004	WASHER/FLAT 5/16	2

a) Carriage bolt 650745 has been replaced by capscrew 650545 in later models. Use the bolt type that matches your machine.

ELECTRICAL - ROPS/FOPS

Ref. No.	Part No.	Description	DPF Models Quantity
1	055648	TIE/CABLE 3/16 X 7-1/2	3
2	058805	CLAMP/HOSE 1-1/8 X 13/32 HOLE	2
3	067750	NUT/SPEED	4
4	081379	SCREW/CAP HEX FLANGE LOCKING 5/16 X 1/2	2
5	137497	LIGHT	1
6	137602	CONNECTOR, 12V POWER PORT	1
7	137603	COVER/12V POWER PORT	1
8	195110	SCREW/ MACHINE PHILIP FLAT HEAD #8 X 1/2	2
9	241142	PLUG/PASS-THROUGH	1
10	242111	PANEL/INSTRUMENT LEFT	1
11	242113	CROSSPIECE/INSTR PANEL	1
12	242608	DISPLAY MODULE/ANALOG	1
13	242636	PLUG/PANEL	9
14	242712	PLATE/BACKING	1
15	272578	SWITCH/IGNITION (SERVICE PARTS INDENTED BELOW)	1
	50280186	KEY/8001	1
	50280187	KEY COVER/RUBBER	1
16	50304407	SWITCH/MASTER LIGHTS	1
17	50304408	SWITCH/LIGHT SELECTOR	1
18	50304772	PANEL/INSTRUMENT RIGHT	1
19	50304782	HARNESS/CAB ELECTRICAL	1
20	50304889	SWITCH/BRAKE MOMENTARY	1
21	50305144	MODULE/CONTROL INTERLOCK	1
22	50350550	DISPLAY/ELECTRONIC	1
23	50350696	COVER/A-PILLAR LEFT TF	1
24	50351312	THROTTLE/HAND (SERVICE PART INDENTED BELOW)	1
	50250306	KNOB/THROTTLE	1
25	50351313	COVER/A-PILLAR RIGHT TF	1
26	50351794	SWITCH/DPF REGEN	1
27	650550	NUT/HEX MACHINE SCREW #10	2
28	651307	SCREW/MACHINE PAN HEAD CROSS RECESSED 1/4 X 1/2	4
29	651308	SCREW/MACHINE PAN HEAD CROSS RECESSED 1/4 X 3/4	6
30	651672	SCREW/MACHINE PAN HEAD CROSS RECESSED 1/4 X 1-1/8	2
31	651726	SCREW/MACHINE PAN HEAD CROSS RECESSED M5 X 10 MM	2
32	656082	SCREW/CAP M6 X 25 MM	2

ELECTRICAL - LIGHTS

Ref. No.	Part No.	Description	Quantity
1	074091	TIE/CABLE 3/16 X 14-1/2 BLACK	2
2	241117 a	LIGHT / WHITE / 55W	4
3	242386 b	LIGHT / RED / 35W	2
4	50303646	TIE/CABLE 9/32 X 8.00 BLACK FIR TREE	2
5	242633	GROMMET/SPLIT 3/8 ID	2
6	50354203 de	HARNESS/TAILLIGHT	1
	241532 ce	HARNESS/TAILLIGHT	1
	50353916	CAP/DUST DT06-6S	1

a) Order replacement 55 W bulb part number 139529.

b) Order replacement 35 W bulb part number 139530.

c) 2700V Models: SN 044232 and Before. 3300V Models: SN 143210 and Before

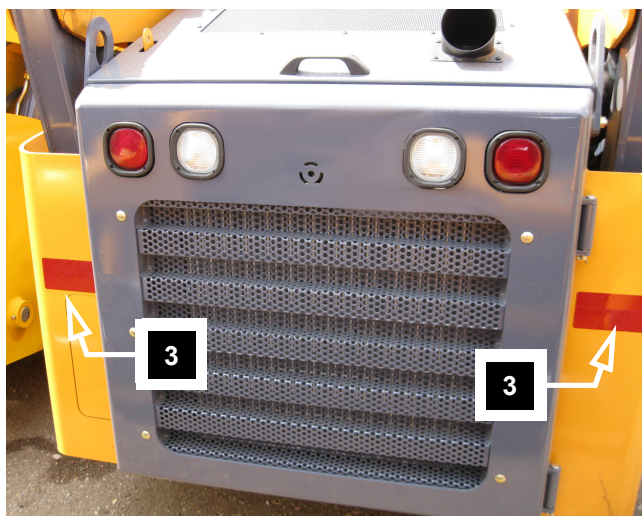
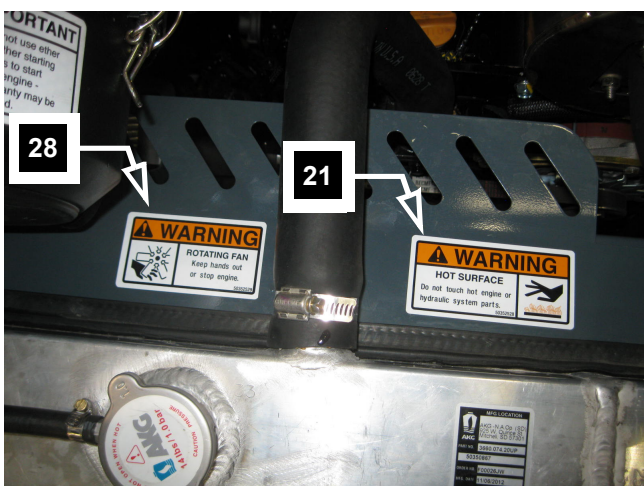
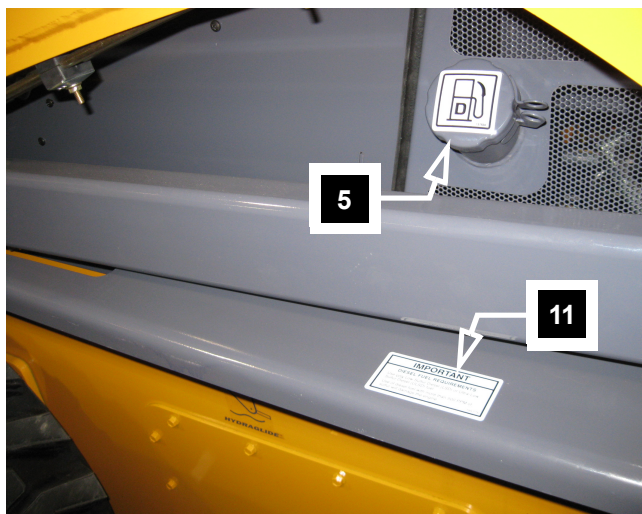
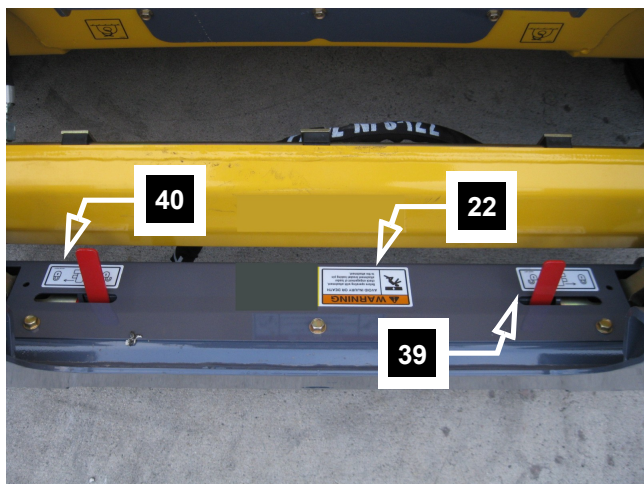
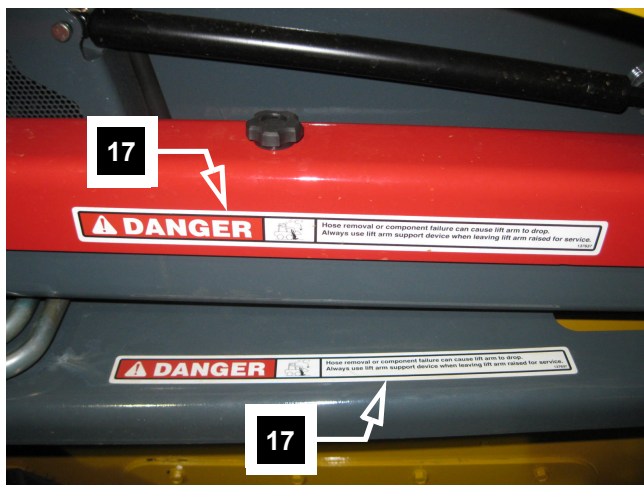
d) 2700V Models: SN 044233 and Up. 3300V Models: SN 143211 and Up

e) The serial number breaks recorded are for domestic DPF-equipped Tier 4 units only.

Ref. No.	Part No.	Description	Quantity
1	811299 b	ASSY/WHEEL 12X16.5 HEAVY DUTY	1
	REFa	TIRE/HEAVY DUTY 12.0 X 16.5 - 10 PLY	1
	183763	WHEEL 16.5 X 9.75	1
	191020	STEM/VALVE	1
1	811300 b	ASSY/WHEEL 12 X 16.5 HEAVY DUTY FOAM-FILLED	1
	REFa	TIRE/HEAVY DUTY 12.0 X 16.5 - 10 PLY	1
	183763	WHEEL 16.5 X 9.75	1
	191020	STEM/VALVE	1
1	810546 b	ASSY/WHEEL 33 X 16.5 X 15.5 HEAVY DUTY	1
	REFa	TIRE/HEAVY DUTY 33 X 16.5 X 15.5	1
	187424	WHEEL 16.5 X 12	1
	191020	STEM/VALVE	1
1	808327	ASSY/WHEEL 14 X 17.5 HD2000	1
	REFa	TIRE/HEAVY DUTY 14 X 17.5 - 12 PLY	1
	137520	WHEEL 17.5 X 10.5	1
	191020	STEM/VALVE	1
2	811303 b	ASSY/WHEEL 12 X 16.5 SEVERE DUTY	1
	REFa	TIRE/SEVERE DUTY 12 X 16.5	1
	183763	WHEEL 16.5 X 9.75	1
	191020	STEM/VALVE	1
2	811304 b	ASSY/WHEEL 12 X 16.5 SEVERE DUTY FOAM-FILLED	1
	REFa	TIRE/SEVERE DUTY 12 X 16.5	1
	183763	WHEEL 16.5 X 9.75	1
	191020	STEM/VALVE	1
2	810148	ASSY/WHEEL SEVERE DUTY 14 X 17.5	1
	REFa	TIRE/SEVERE DUTY 14 X 17.5 - 12 PLY	1
	137520	WHEEL 17.5 X 10.5	1
	191020	STEM/VALVE	1
2	810871 b	ASSY/WHEEL SOLID FLEX 12 X 16.5 LEFT	1
	810872 b	ASSY/WHEEL SOLID FLEX 12 X 16.5 RIGHT	1
	810949	ASSY/WHEEL SOLID FLEX 14 X 17.5 LEFT	1
	810950	ASSY/WHEEL SOLID FLEX 14 X 17.5 RIGHT	1
3	811254	WHEEL/SOLID RUBBER 8.00 X 16 (NOT SHOWN)	1

a) Purchase equivalent-quality tires for your skid-steer loader. Contact your dealer for replacement tire information.

b) Not used on 3300V Models.



LIFT CYLINDER

Ref. No.	Part No.	Description	Quantity
	50352926	CYLINDER/LIFT	
1	50352968	TUBE/LIFT CYLINDER	1
2	243203	PISTON	1
3	243204	HEAD GLAND	1
4	50352952	CYLINDER ROD/2.00	1
5	183423	BUSHING/COMPOSITE 2.00	4
6	L500668	NUT/LOCK 1.125	1
7	198178	ZERK/STRAIGHT 1/4 SELF-TAP	2
18	50352965	INSERT/LOCKING	2
	243205	KIT/SEAL (INCLUDES ITEMS #8 - 18 ON THE DWG)	1

TANDEM PUMP

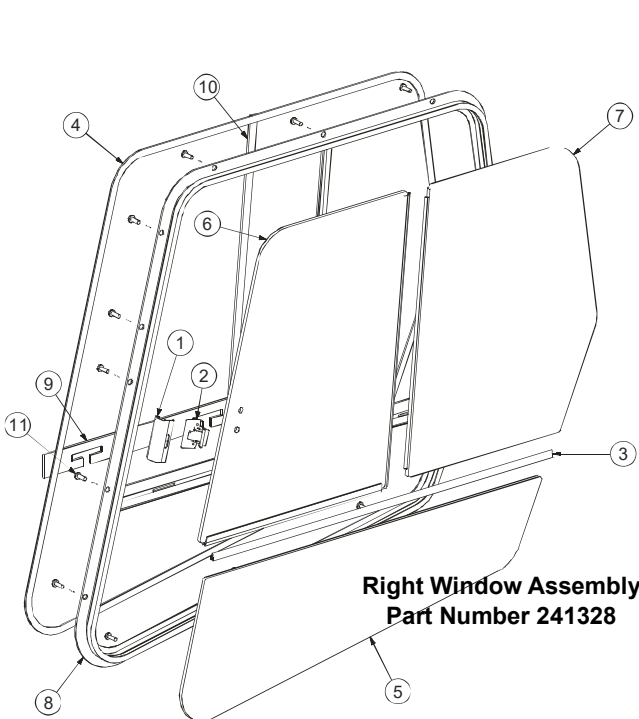
Ref. No.	Part No.	Description	Quantity Engine End
	50353716	GROUP/ROTARY	1
1	50353731	SHAFT/DRIVE ASSY	1
2	50353730	ASSY/CRADLE	1
3	50353725	GROUP/ROTARY RIGHT	1
10	191717	SEEGER-V-RING	2
11	191718	RING/SHAFT SEAL	1
12	191716	SHAFT/DRIVE RIGHT ROTATION	1
13	50353727	BEARING	1
15	50353729	LINER/BEARING	2
16	50353728	BEARING/CRADLE	2

Ref. No.	Part No.	Description	Quantity Pump End
	50353717	GROUP/ROTARY	1
1	50353732	SHAFT/DRIVE ASSY	1
2	50353730	ASSY/CRADLE	1
3	50353726	GROUP/ROTARY LEFT	1
10	191717	SEEGER-V-RING	1
12	191720	SHAFT/DRIVE LEFT ROTATION	1
13	50353727	BEARING	1
15	50353729	LINER/BEARING	2
16	50353728	BEARING/CRADLE	2

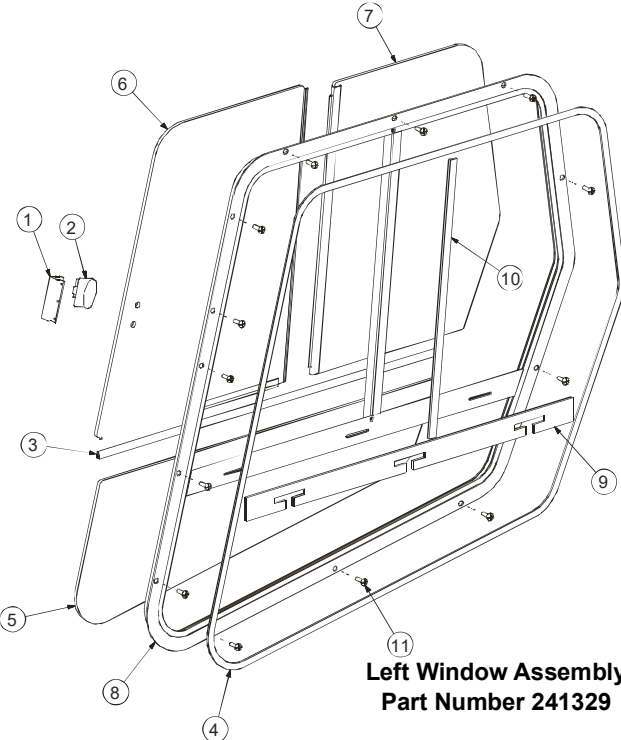
SOLENOID VALVES - BRAKE, JOYSTICK SUPPLY AND BRAKE RELEASE

Ref. No.	Part No.	Description	Quantity		
			Single	Two	Joystick
	240056	VALVE/BRAKE	1	-	-
	240057	VALVE/BRAKE TWO-SPEED	-	1	-
	50352381	VALVE/JOYSTICK SUPPLY	-	-	1
1	50352380	CARTRIDGE	-	-	1
	243248	CARTRIDGE	1	2	-
2	243249	COIL	1	2	1
3	243250	PLUG	1	1	-
4	243263	KIT/SEAL	1	2	1
4	NSS	BODY	1	1	1

811487 Side Window Kit



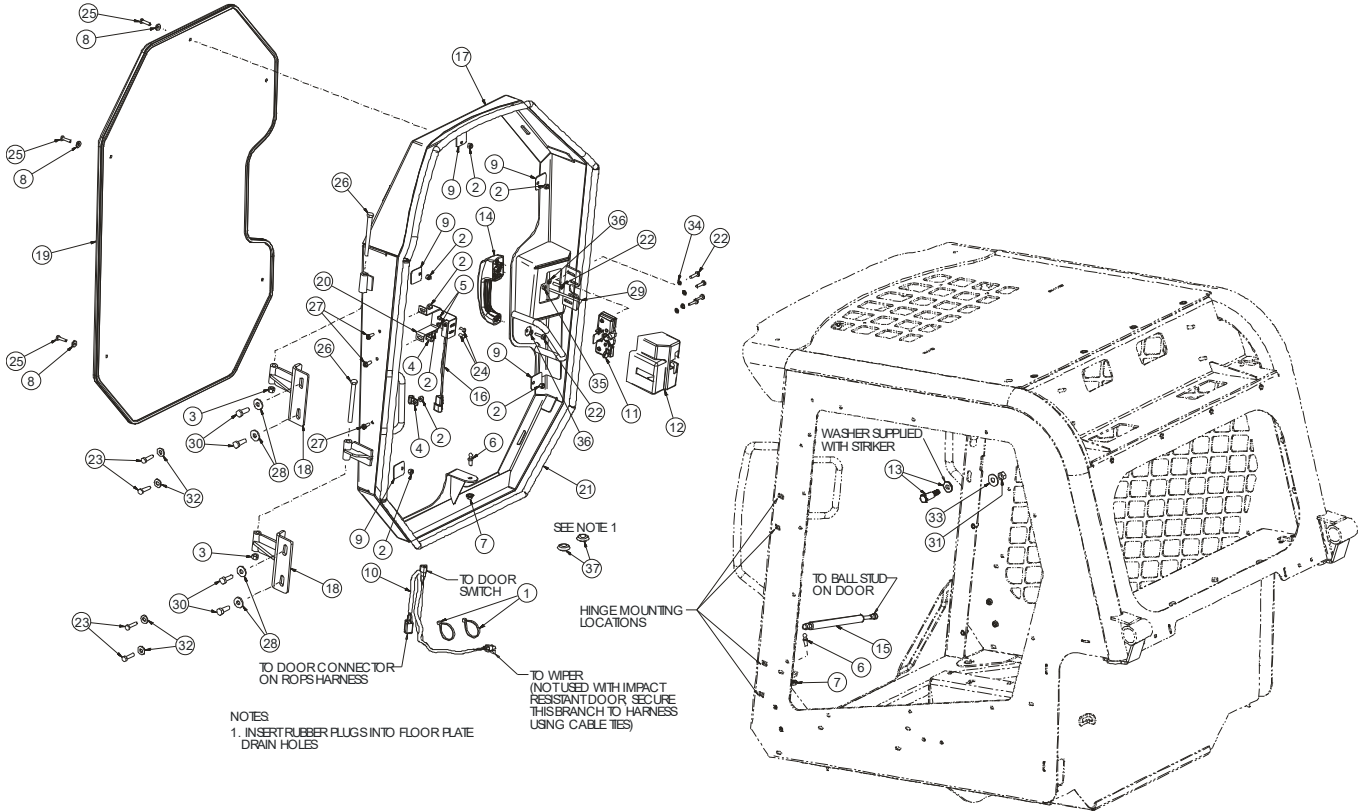
Right Window Assembly
Part Number 241328



Left Window Assembly
Part Number 241329

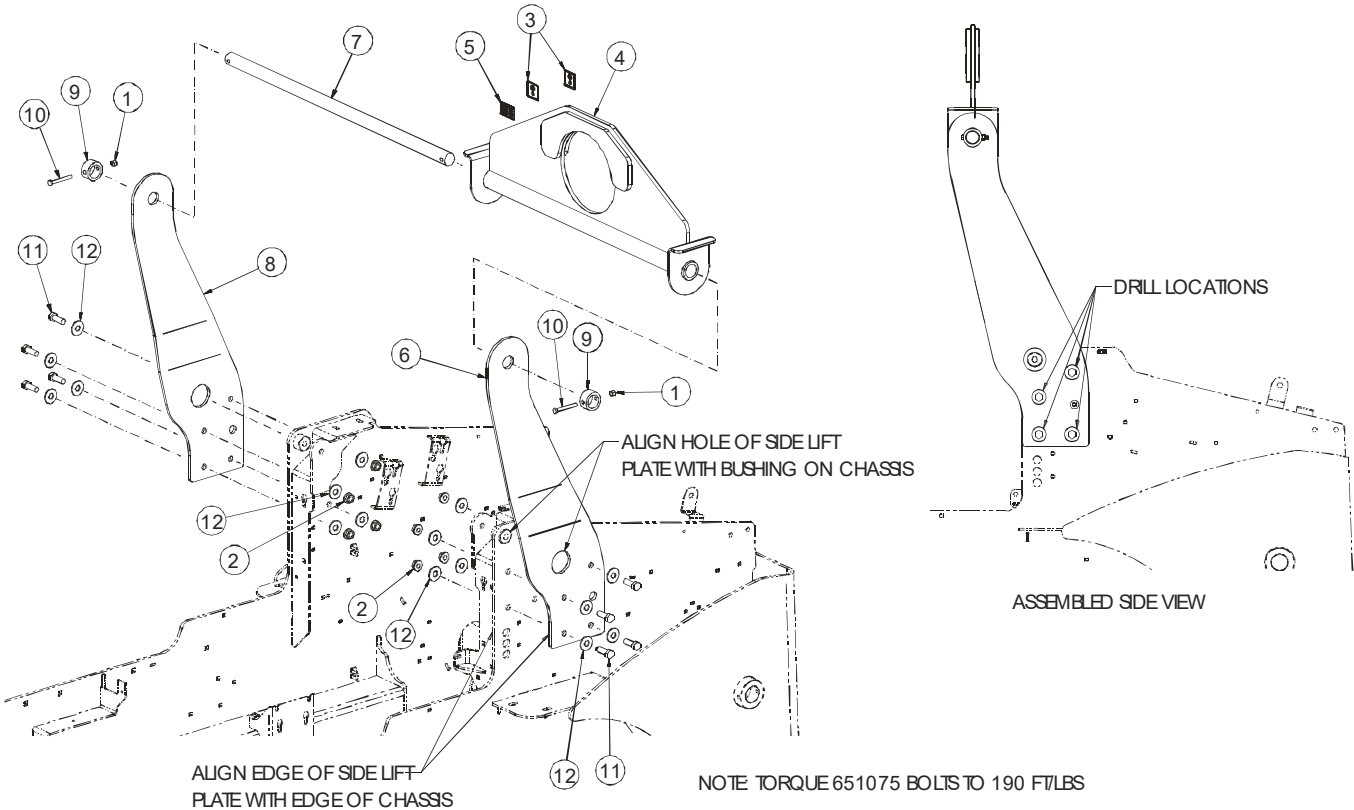
Ref. No.	Part No.	Description	Qty.
	811487	KIT/SIDE WINDOW	
1	242779	STRIKER	2
2	242780	LATCH ASS'Y	2
3	242781	RAIL/SLIDE	2
4	242784	SEAL/WINDOW	2
5	242786	WINDOW/LOWER.....	2
6	242789	WINDOW/FRONT RH	1
	242787	WINDOW/FRONT LH	1
7	242790	WINDOW/REAR RH.....	1
	242788	WINDOW/REAR LH	1
8	242819	FRAME/WINDOW RH	1
	242818	FRAME/WINDOW LH.....	1
9	50353122	FOAM/WINDOW/HORIZONTAL.....	2
10	50353125	FOAM/WINDOW/HORIZONTAL.....	2
11	651308	PHMS CR 1/4X3/4 ZB	26

50850116 Impact-Resistant Door Kit



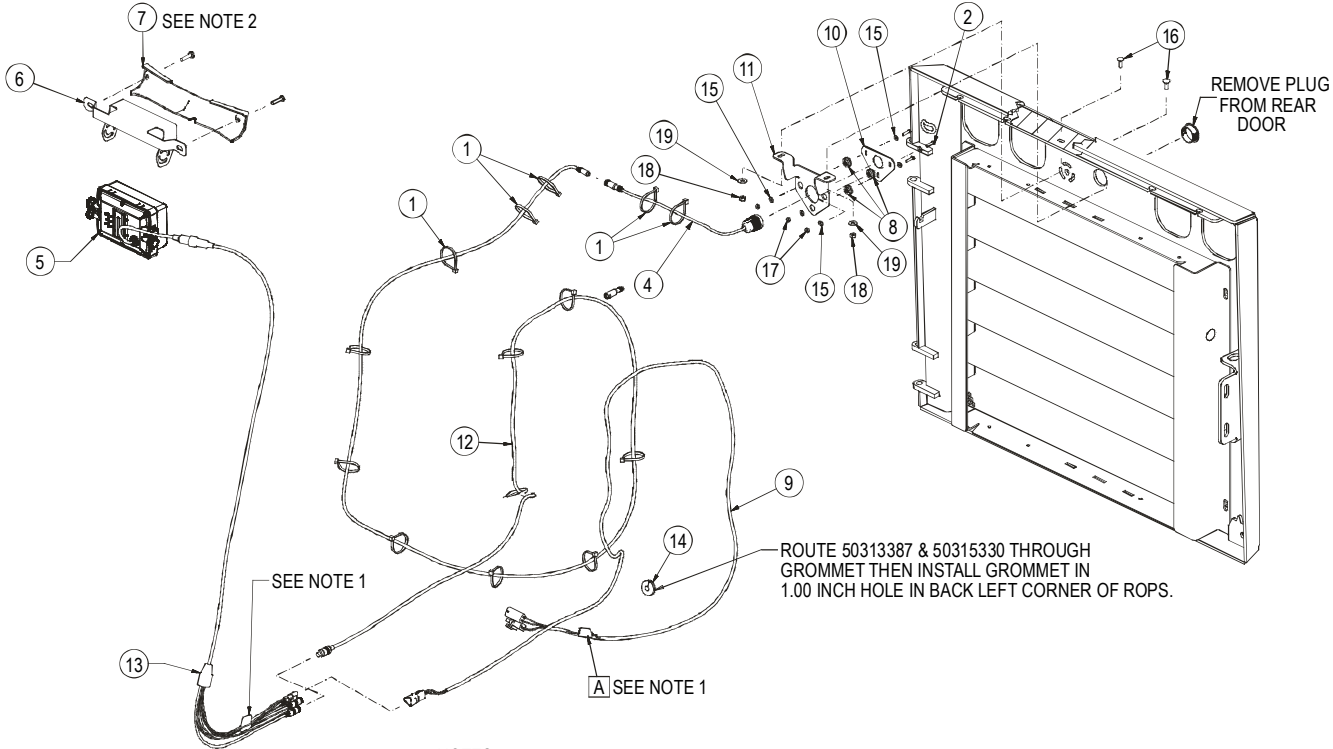
Ref No.	Part No.	Description	Qty. Req'd	Ref No.	Part No.	Description	Qty. Req'd
	50850116	KIT/IMPACT-RESISTANT DOOR		19	50350159	PANEL/IMPACT	1
1	055648	TIE/CABLE .19X7.50 BLACK	2	20	50350300	SENSOR/PROXIMITY BRKT	1
2	071401	HLN INST 1/4 CZY	8	21	50350313	SEAL/BULB.....	1
3	071703	LN 3/8 CBZY.....	2	22	50657011	PHMS CR M6-1.0X25 CZ DIN	6
4	076078	CLAMP/HOSE .38X.34 HOLE	2	23	650545	CS 5/16X1-1/4 C5ZY	4
5	084174	HLN INST #1224 CZY	2	24	650812	RHMS SLT #1224X1/2 CZY	2
6	122485	STUD/BALL 10MM	2	25	650835	CS 1/4X1 C5ZY.....	5
7	131842	HN FL SLOC 5/16 C	2	26	650851	CS 3/8X4-1/2 C5ZY	2
8	137462	WASHER 1/4 SEALING.....	5	27	651308	PHMS CR 1/4X3/4 ZB.....	3
9	187405	TAB/ LEXAN DOOR.....	5	28	651659	FW M10 HARDENED Z	4
10	242866	HARNESS/DOOR 2700V0V.....	1	29	651752	CS M6-1.00x100 C8.8 ZY D	1
11	242927	LATCH/DOOR.....	1	30	651821	CS M10-1.5x30 C8.8 ZB DI	4
12	242928	COVER/LATCH.....	1	31	653015	HN 7/16 C2ZY.....	1
13	242930	STRIKER	1	32	654004	FW 5/16 AWZY.....	4
14	50304908	HANDLE ASS'Y	1	33	654046	FW 7/16 AWZY.....	1
	50280186	KEY/Front DOOR LATCH.....	1	34	654052	LW INT T 1/4 AZY	4
15	242942	SPRING/GAS	1	35	656047	HN M6-1 C8 ZY DIN934	1
16	244668	SENSOR/PROXIMITY.....	1	36	656179	FW M6 ZY DIN125.....	2
17	245260	FRAME/DOOR WLDMNT.....	1	37	192182	PLUG/RUBBER	2
18	50350139	HINGE/CABSIDE WDLMNT.....	2				

50850048 Single-Point Lift Kit



Ref No.	Part No.	Description	Qty. Req'd
	50850048	KIT/SINGLE-POINT LIFT	
1	067847	HLN INST 3/8 CZY.....	2
2	136601	SPC/SPIRALOCK 5/8-11.....	8
3	137718	DECAL/LIFT HOOK.....	2
4	138662	ASSY/HOOK.....	1
5	139355	DECAL/NAME PLATE.....	1
6	245205	PLATE/SIDE LIFT LH.....	1
7	245207	ROD/LIFT SUPPORT.....	1
8	50350077	PLATE/SIDE LIFT RH.....	1
9	50350078	TUBE/LOCKING.....	2
10	650818	CS 3/8X3 C5ZY.....	2
11	651075	CS 5/8X1-3/4 C8.....	8
12	654012	FW 5/8 AWZY.....	16

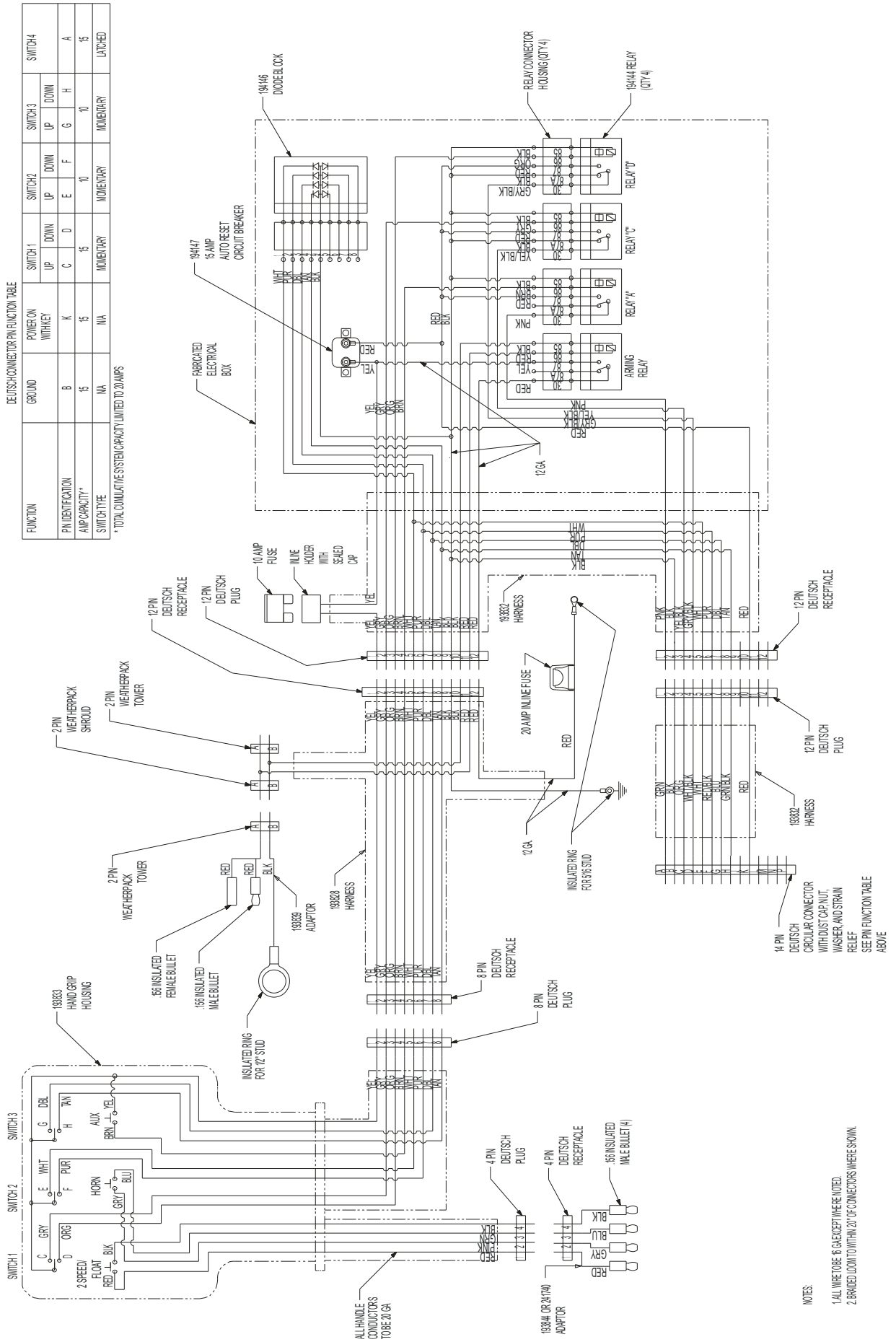
50850827 Rear Camera Kit - 2700V (SN 044903 and Up, 3300V (SN 143806 and Up)



- NOTES:
1. REMOVE 2 AMP ATO FUSE FROM ITS ORIGINAL POSITION IN FUSE HOLDER WITHIN THE MONITOR HARNESS AND REPLACE IT WITH THE 15 AMP ATO FUSE PROVIDED. MOVE THE 2 AMP ATO FUSE JUST REMOVED AND INSERT IT INTO THE FUSE HOLDER AT THE LOCATION INDICATED AT -A-.
 2. REMOVE THE EXISTING CROSSPIECE WITHIN THE LOADER AND REPLACE IT WITH THE MODIFIED CROSSPIECE PROVIDED.
 3. FASTEN CAMERA MTG PLATE TO THE CAMERA BASE BRACKET SO THAT THE FLATTENED SURFACE OF THE CAMERA BODY IS ORIENTED UPWARD.
 4. CHANGE CAMERA 3 SETTING WITHIN THE MONITOR'S OPTION MENU FROM "NORMAL" TO "MIRROR".

Ref. No.	Part No.	Description	Qty
1	055648	TIE/CABLE .19X7.50 BLACK	14
2	310-32288	RHMS #8-32X3/4 CZY SLTD	3
3	420-35578	FUSE/15AATO ATC	1
4	50312266	CAMERA/CMOS 2.4MM NO IR	1
5	50312268	MONITOR/5" WEATHERPROOF	1
6	50313154	MONITOR MTG BRKT	1
7	50313158	CROSSPIECE/MONITOR INSTL	1
8	50313200	GROMMET ISOLATOR #8 ID	3
9	50313387	HARNESS/CAMERA SYSTEM POWER.....	1
10	50314757	PLATE/MTG CAMERA	1
11	50314766	BRKT/MTG CAMERA.....	1
12	50315330	CABLE/CAMERA 15 FT	1
13	50315440	CABLE/MONITOR.....	1
14	50320559	GROMMET .38ID .140GW 1.00GD SPLIT...	1
15	650606	FW #8 AZ.....	6
16	650758	CB 1/4X3/4 C5ZY	2
17	653002	HN MS #832 CZY	3
18	653005	HN 1/4 C2ZY	2
19	654002	FW 1/4 AWZY	2

14-PIN ELECTRICAL AUXILIARY SCHEMATIC



NOTES:
 1. ALL WIRE TO BE 16 GA EXCEPT WHERE NOTED.
 2. BRANDED DOWN TO WITHIN 20' OF CONNECTORS WHERE SHOWN.
 SEE PIN FUNCTION TABLE ABOVE

CLICK HERE TO **DOWNLOAD** THE COMPLETE MANUAL

- Thank you very much for reading the preview of the manual.
- You can download the complete manual from: www.heydownloads.com by clicking the link below



- Please note: If there is no response to CLICKING the link, please download this PDF first and then click on it.

CLICK HERE TO **DOWNLOAD** THE COMPLETE MANUAL