



2150RT

Compact Track Loader Parts Manual

50960153 Rev.D 06/2020



CLICK HERE TO **DOWNLOAD** THE COMPLETE MANUAL

- Thank you very much for reading the preview of the manual.
- You can download the complete manual from: www.heydownloads.com by clicking the link below

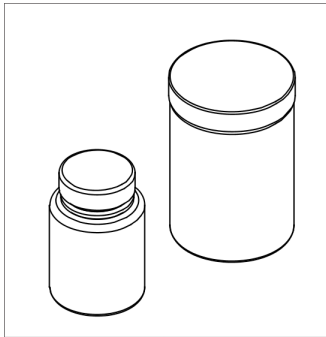


- Please note: If there is no response to CLICKING the link, please download this PDF first and then click on it.

CLICK HERE TO **DOWNLOAD** THE COMPLETE MANUAL

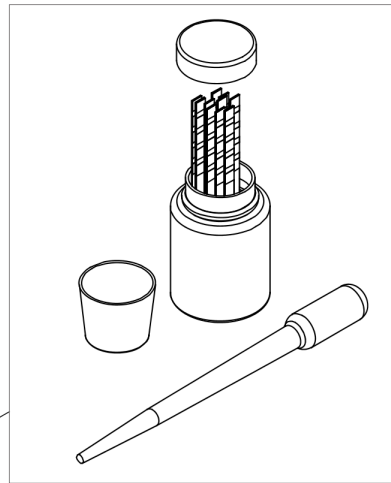
SERVICE PARTS Fluid Analysis Kits

Analysis Kits
(includes 10 sample bottles and
10 shipping containers)

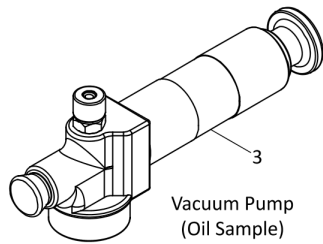


1

Field Test Coolant Kit



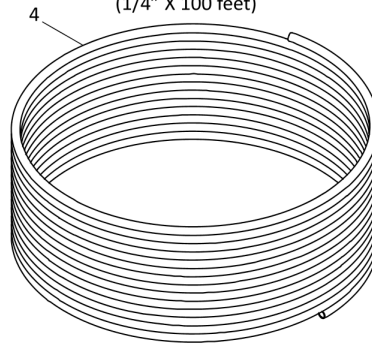
2



Vacuum Pump
(Oil Sample)

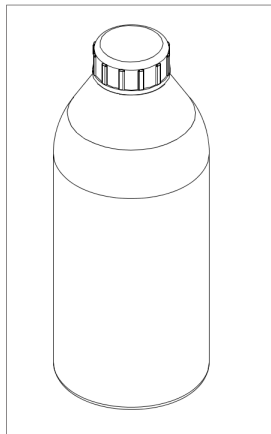
3

Analysis Kit Tubing
(1/4" X 100 feet)

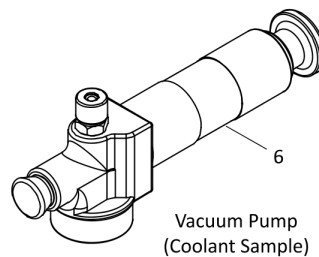


4

Basic Fuel Analysis Kit (1)



5

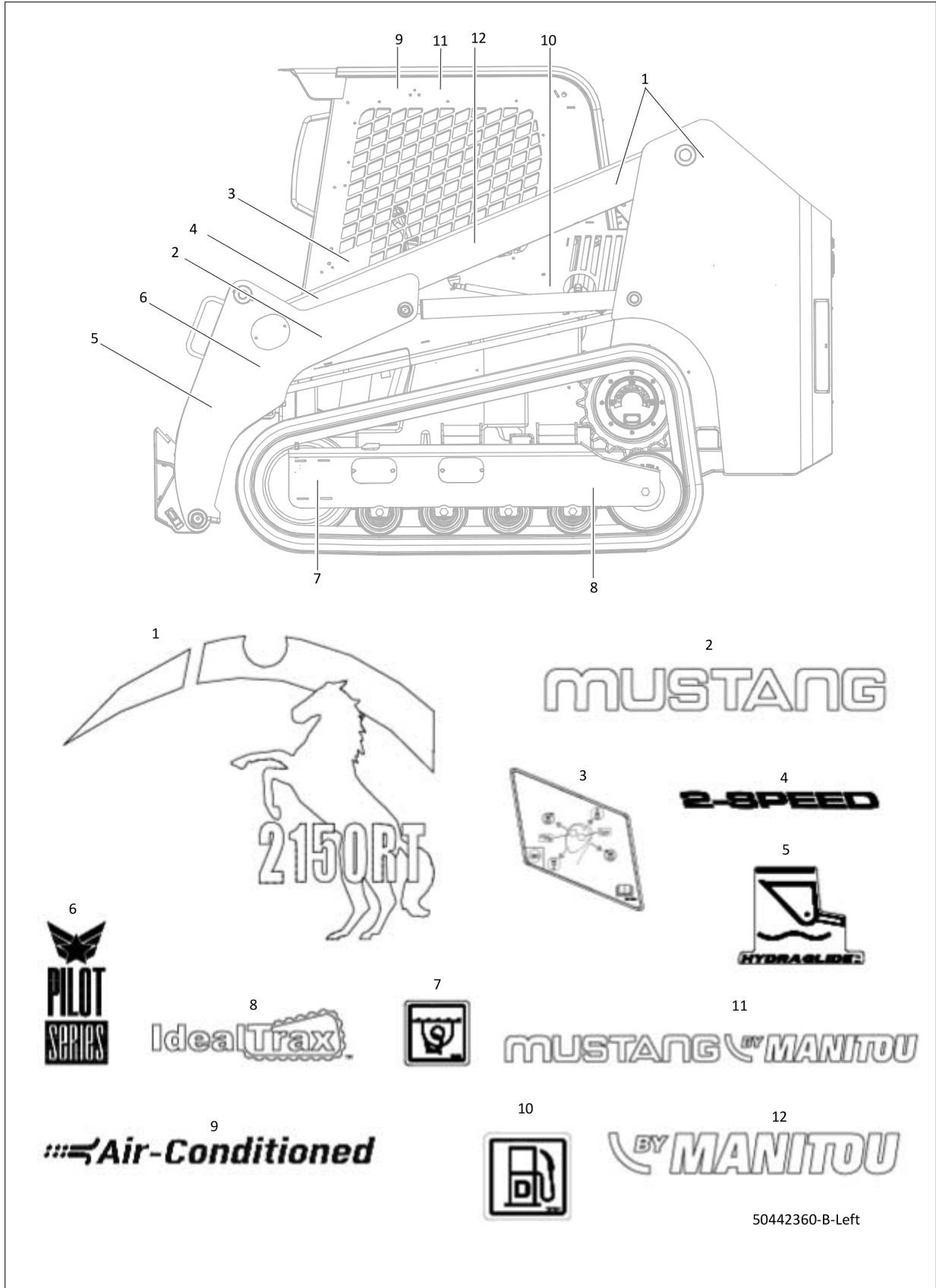


Vacuum Pump
(Coolant Sample)

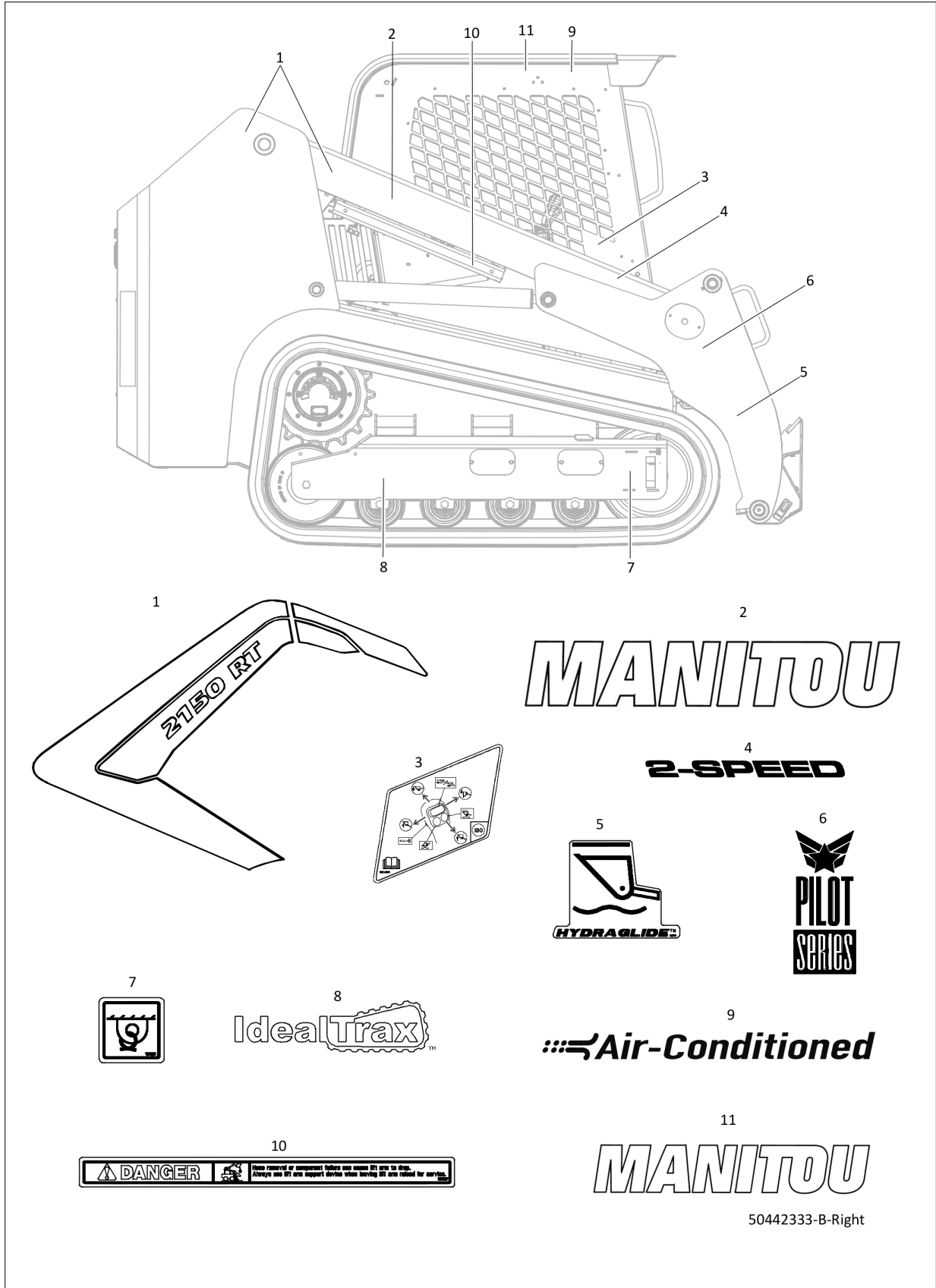
6

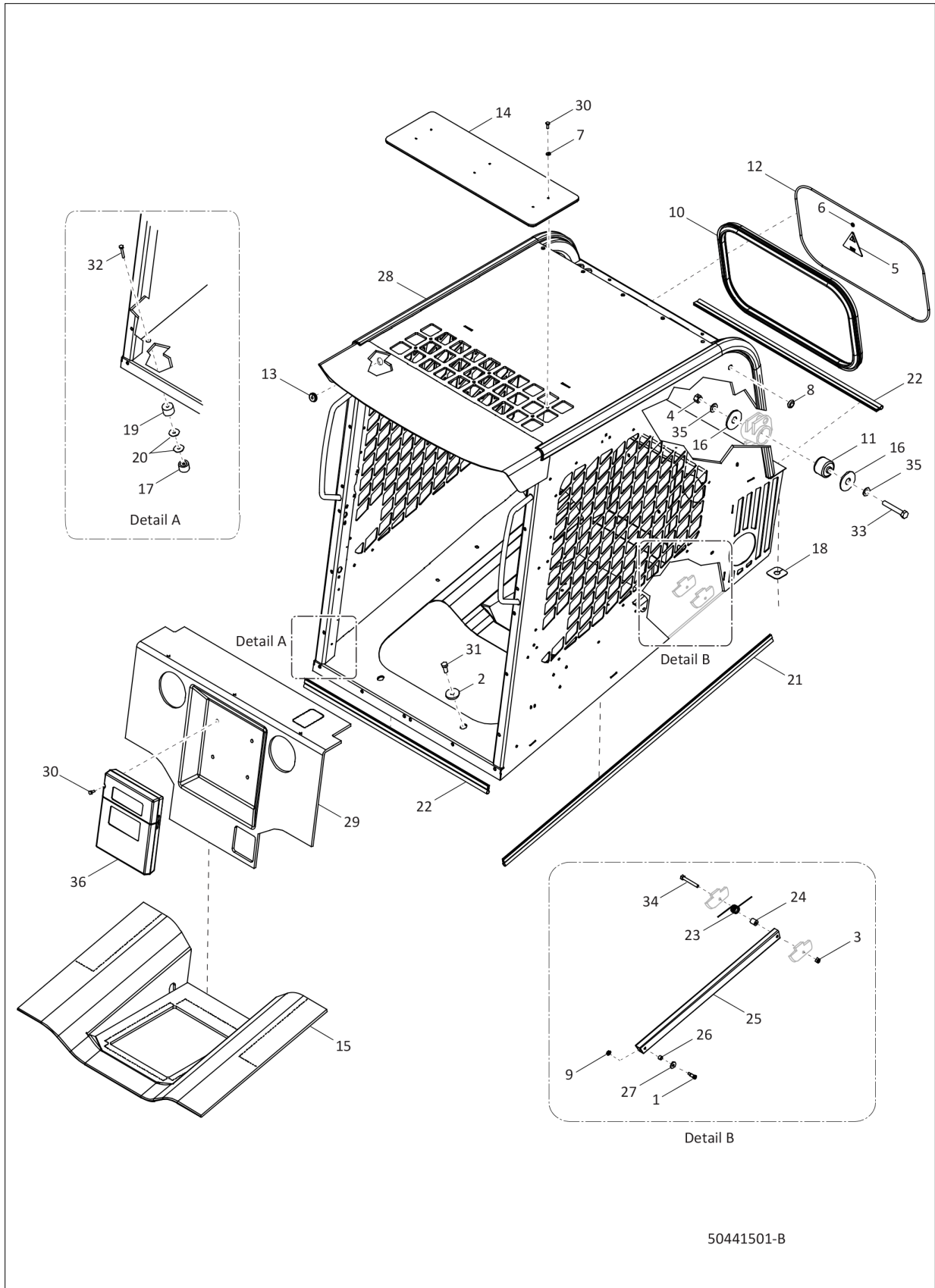
Analysis-A-Mustang

Mustang by Manitou Left



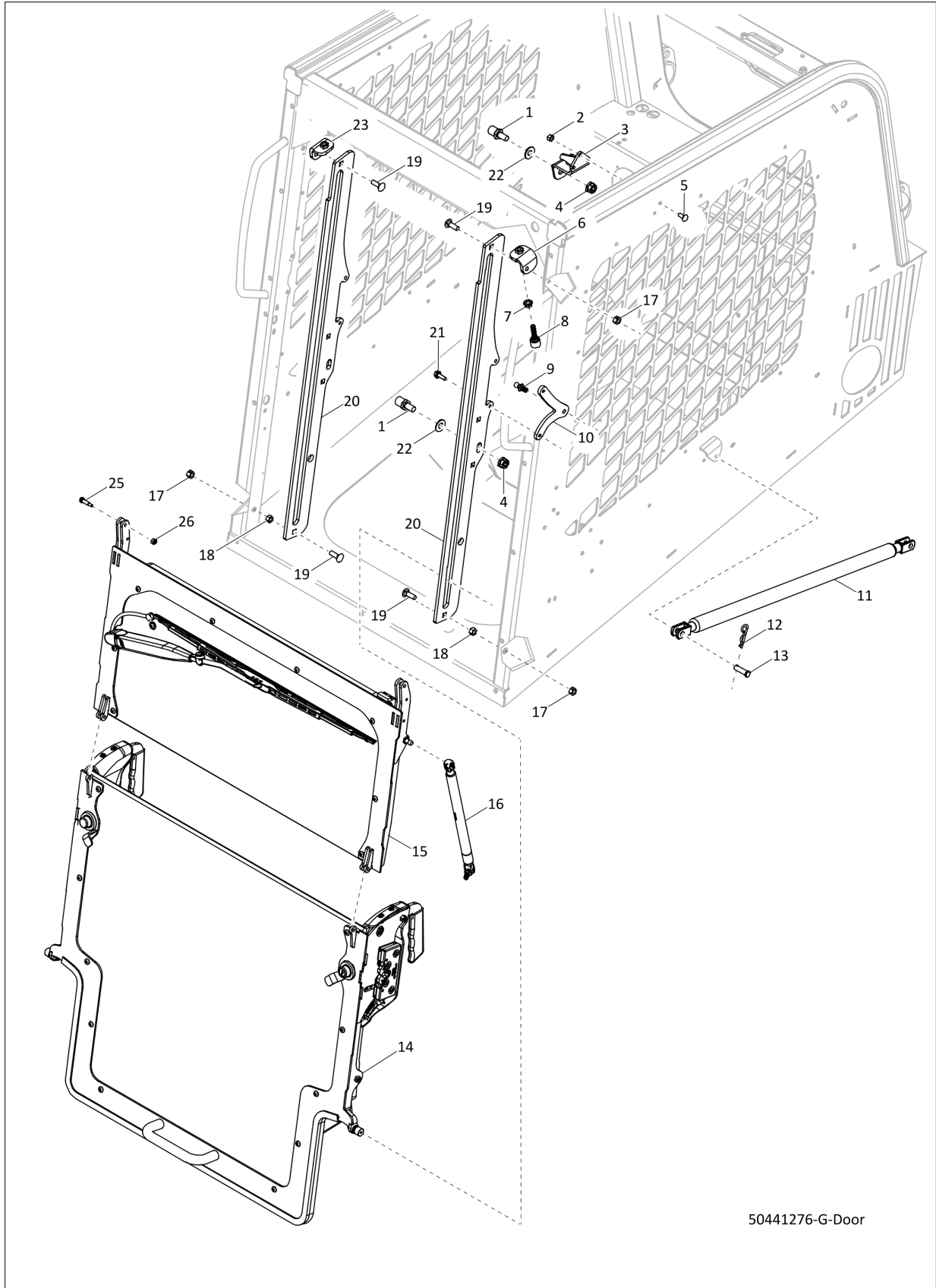
50442360-B-Left





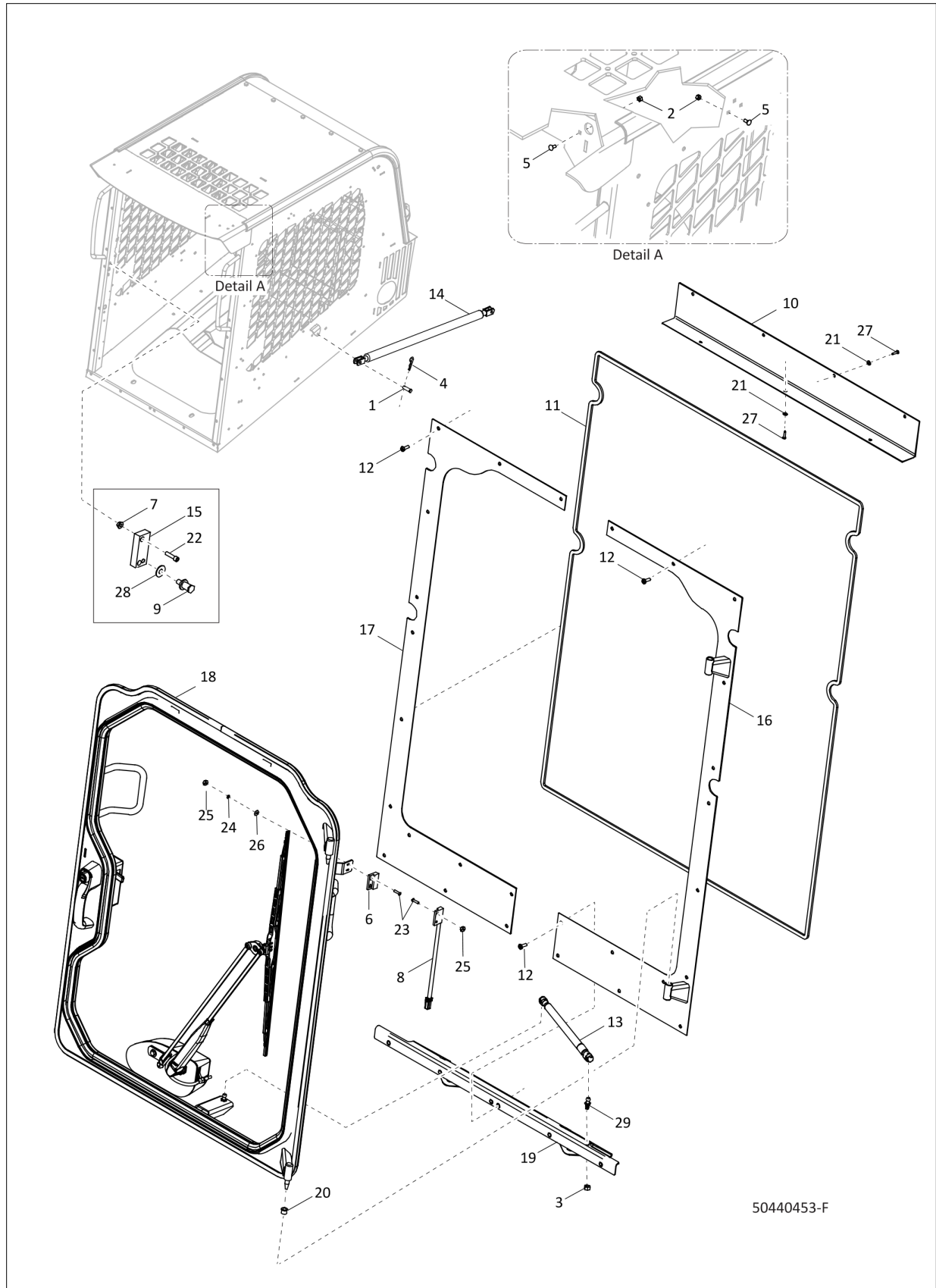
50441501-B

Doors Fold-Up Door

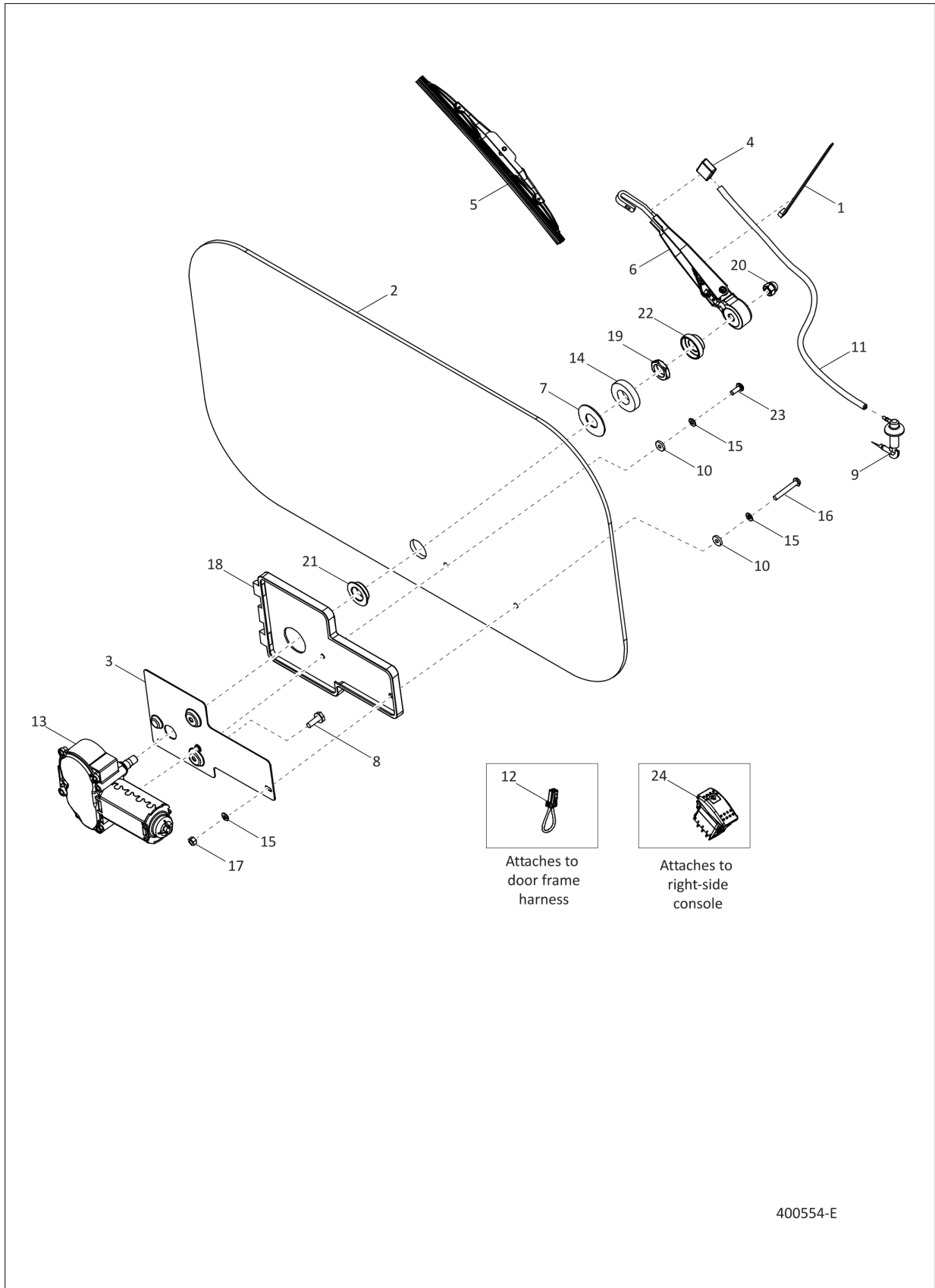


50441276-G-Door

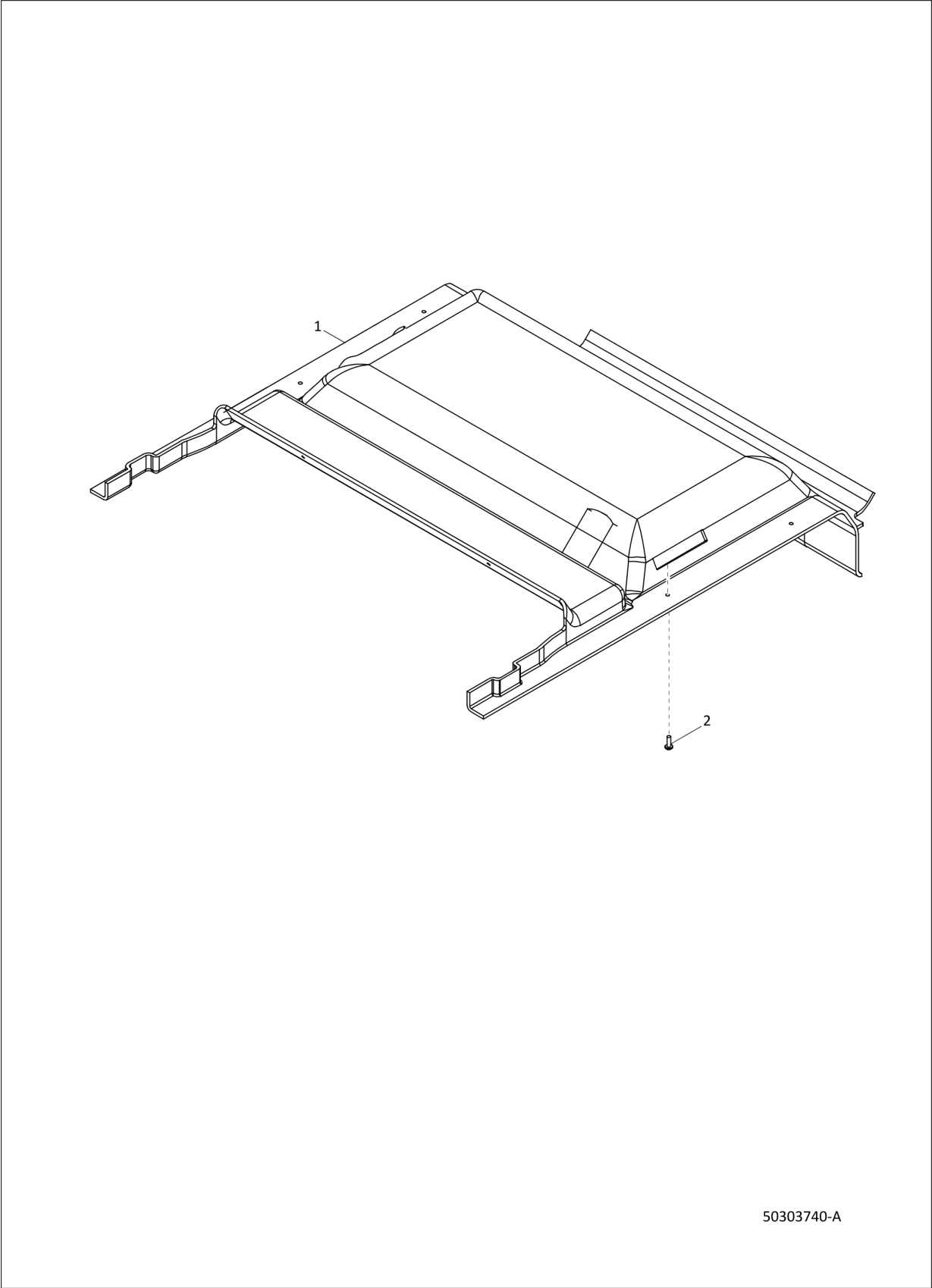
Doors Swing-Out



Windows Rear (With Wiper)

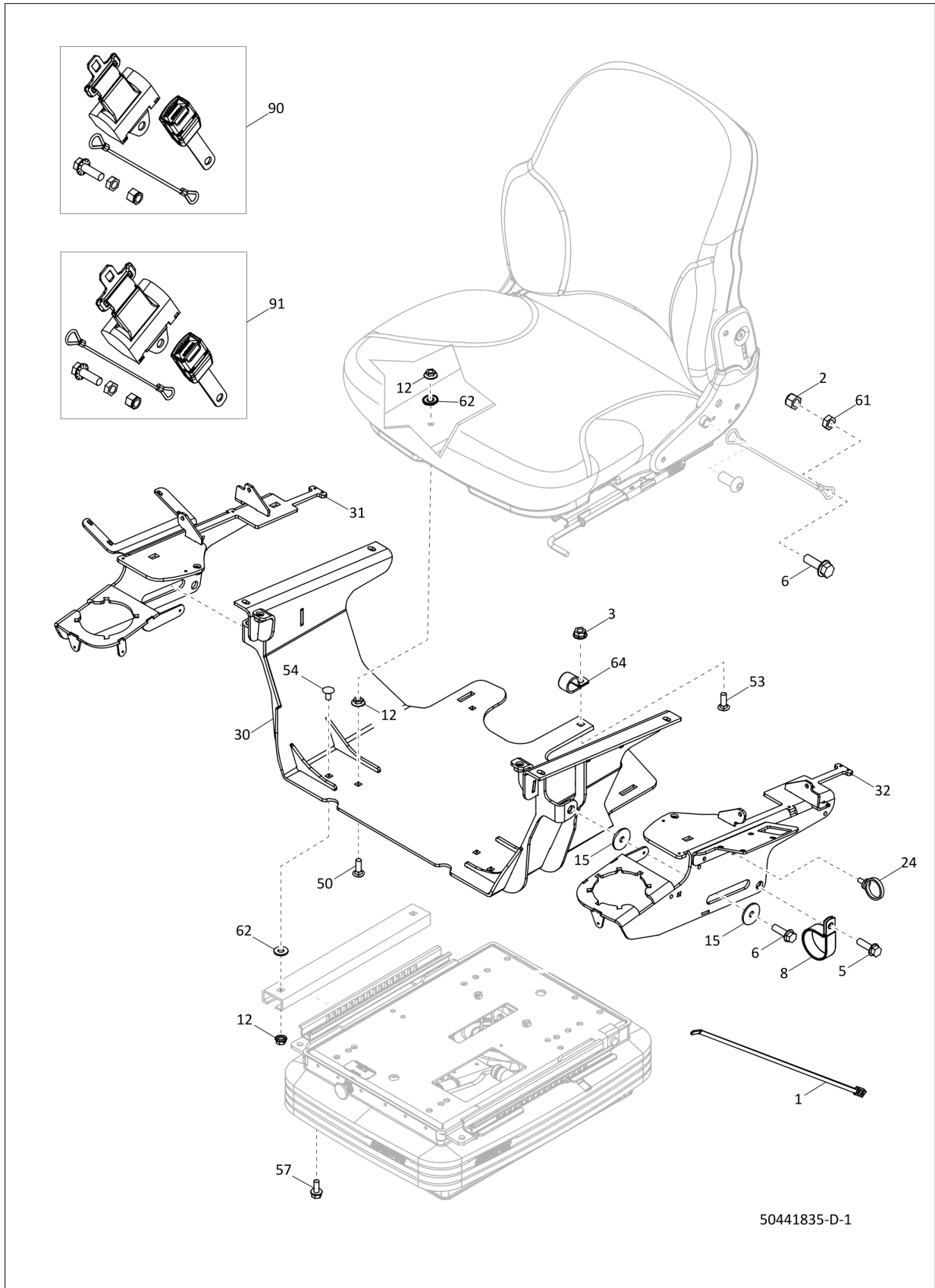


Interior Headliner (Fold-Up Door w/ HVAC)

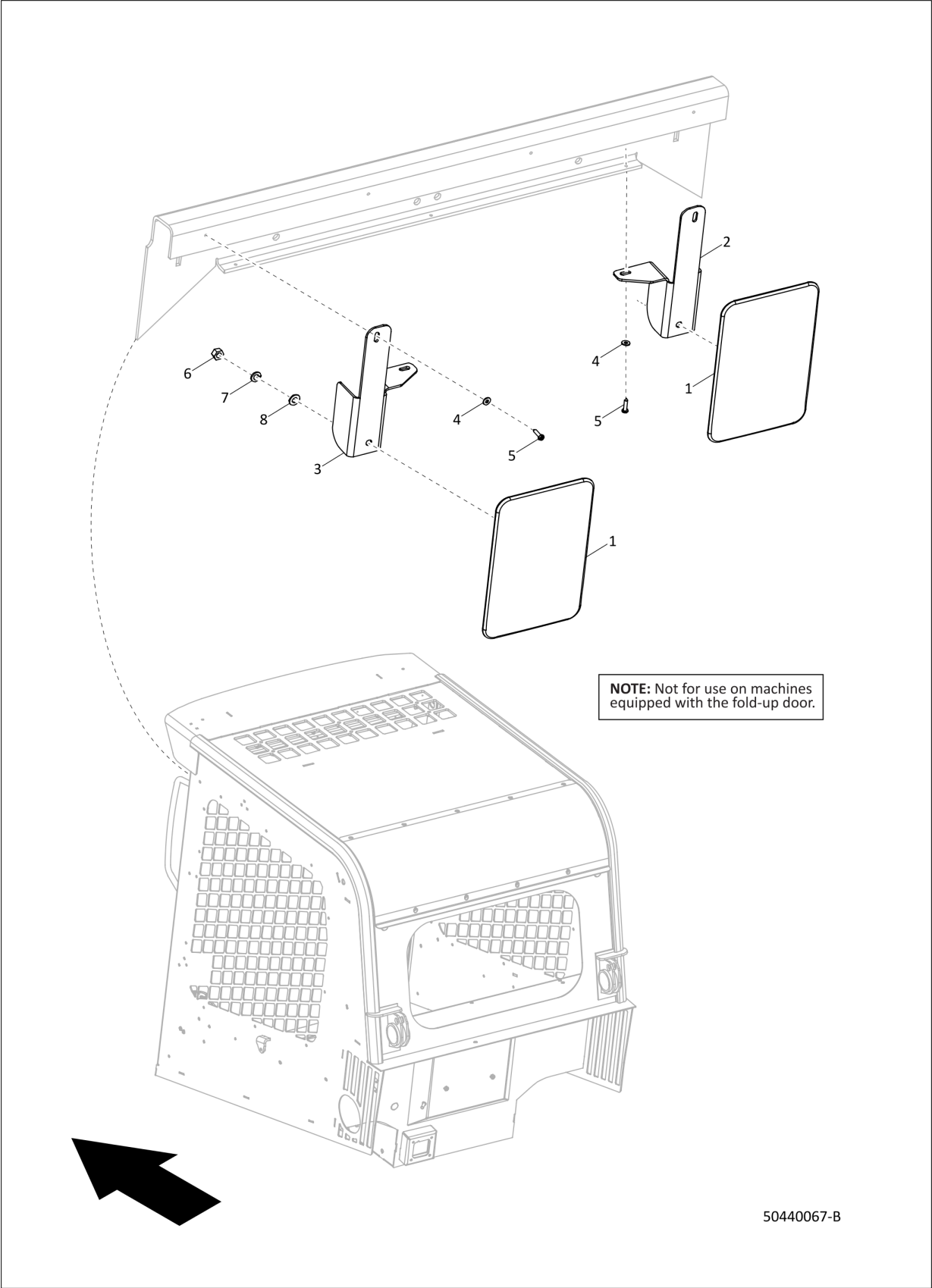


50303740-A

Interior Seat Group

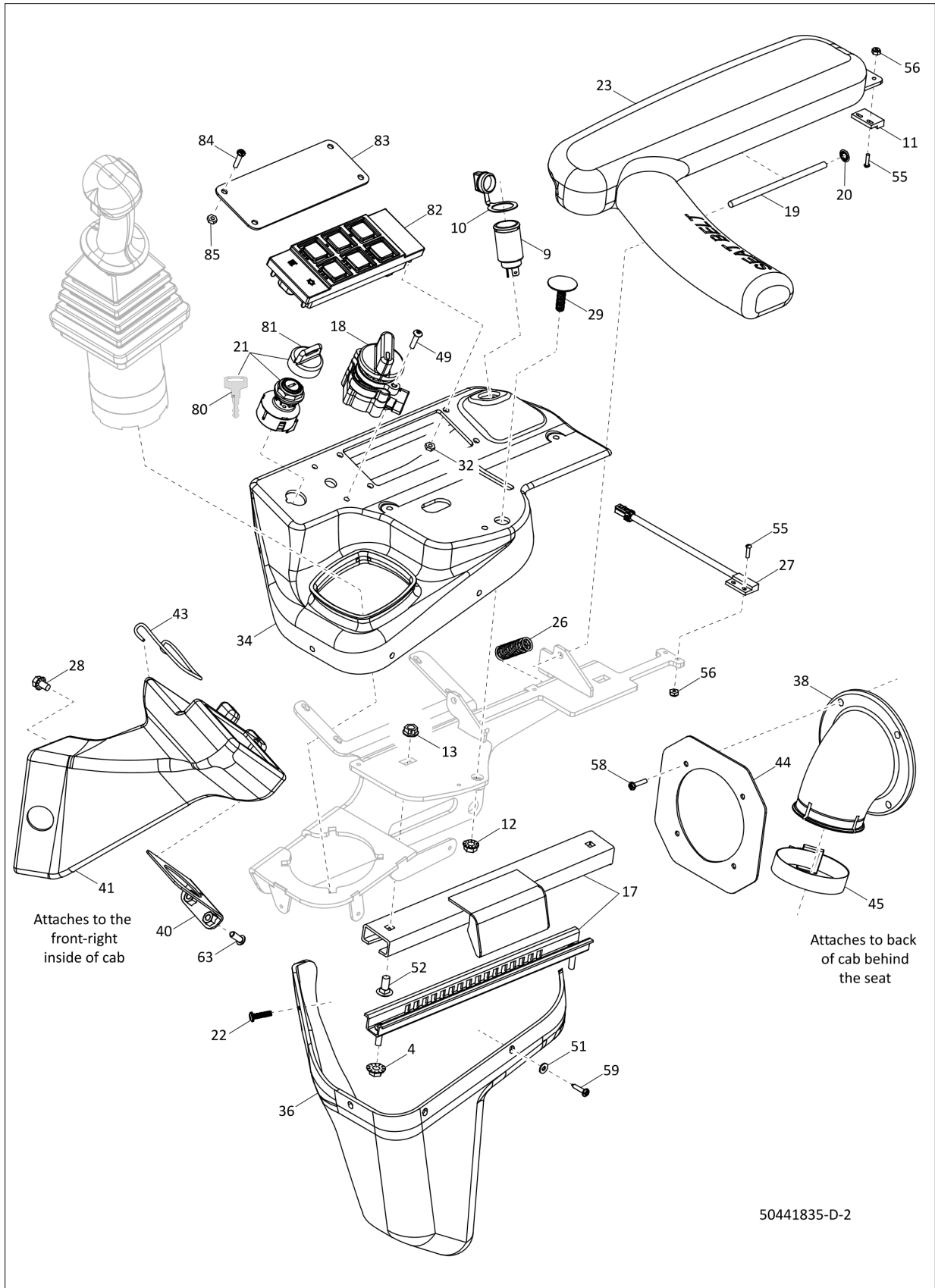


Interior Mirrors (EU)

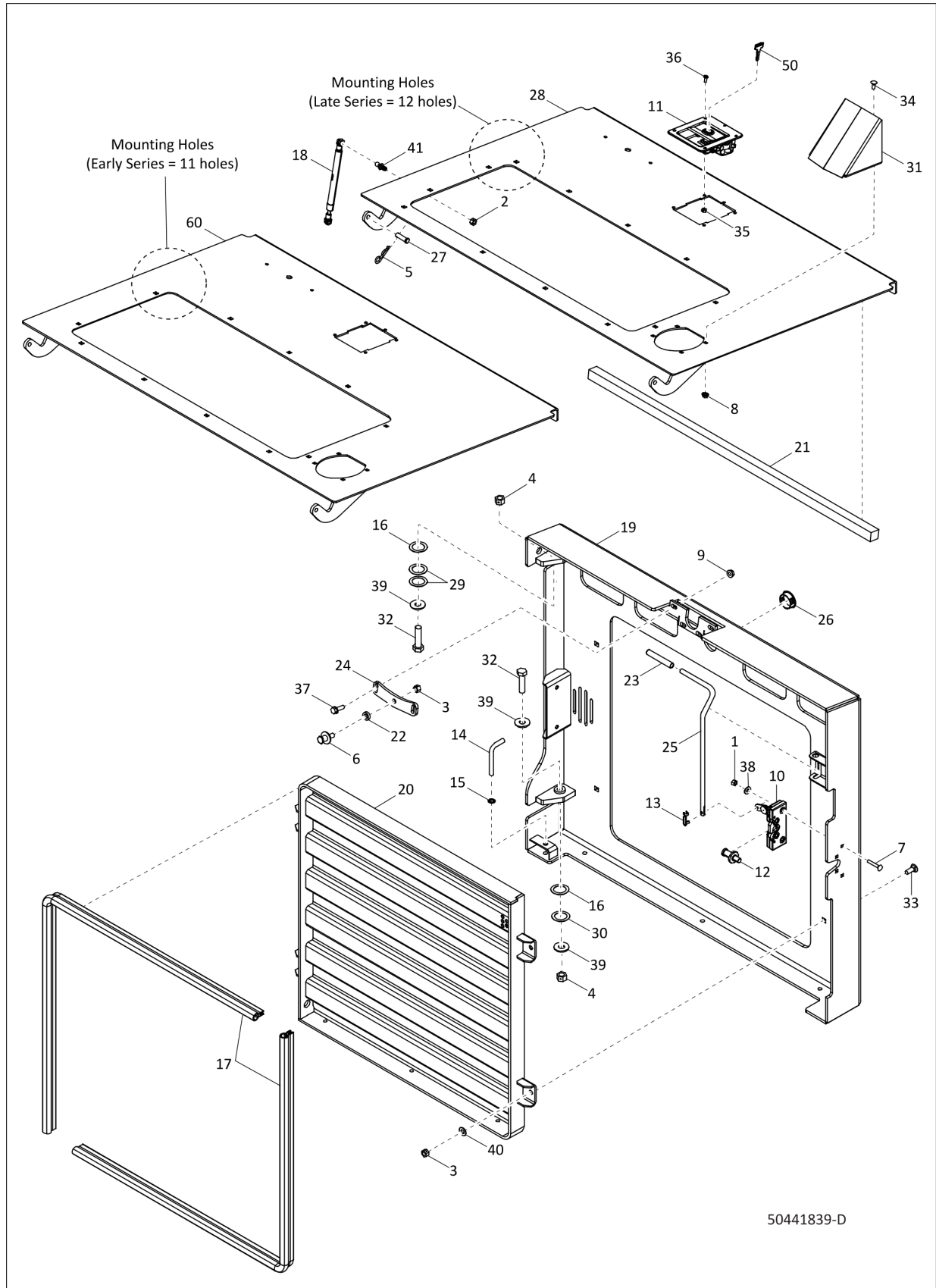


Item	Part No.	Name	Qty	Remarks
40	50302198	Brkt/Heater Hose	1	
41	271283	CLAMP/HOSE 23MM TWIN	1	
42	50305597	PLATE/TOP SIZE 3 TWIN	1	
43	064260	HLN INST 5/16 CZY	1	

CONTROLS Right Side

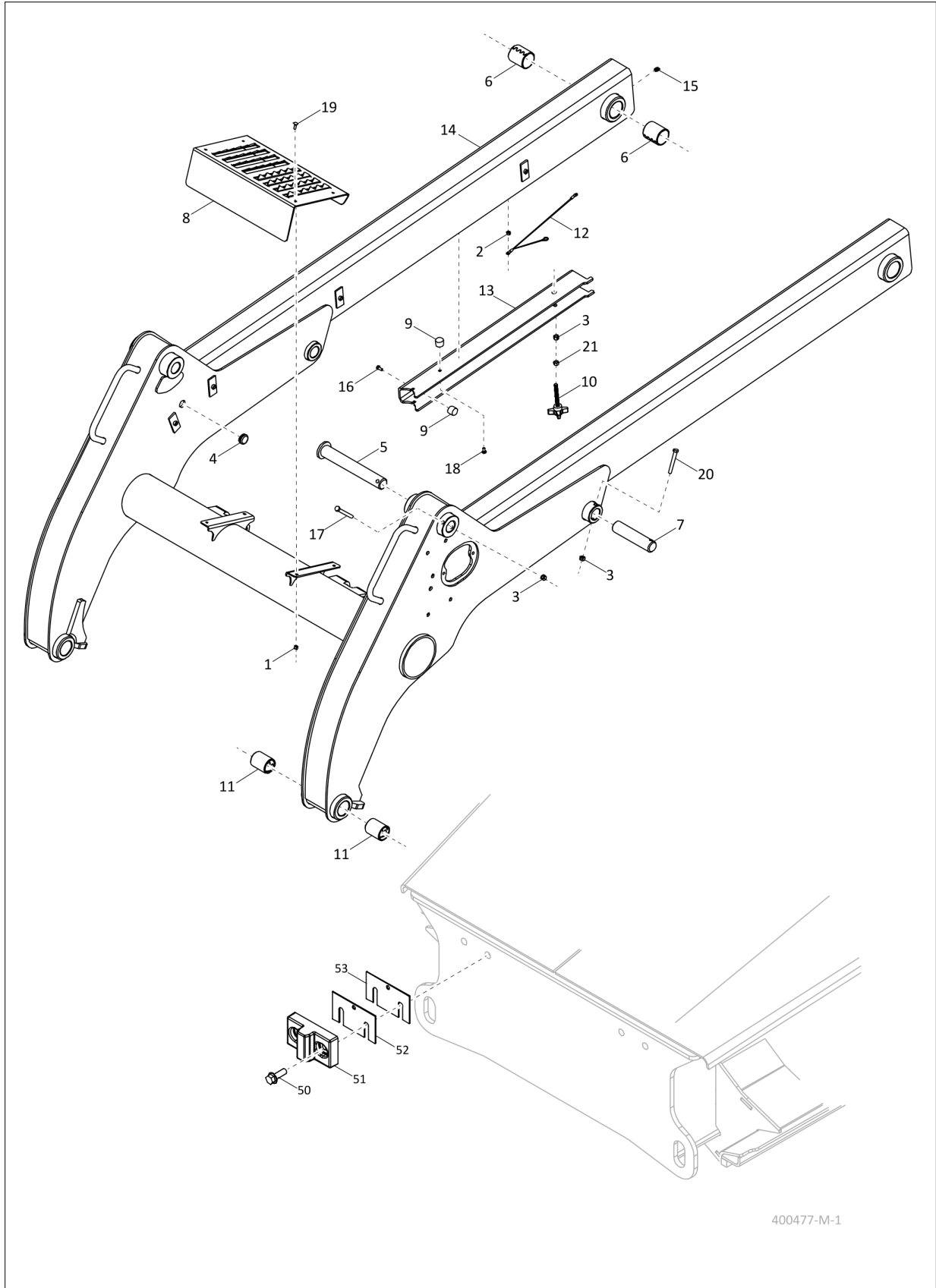


CHASSIS Covers - Engine and Grill (Domestic)



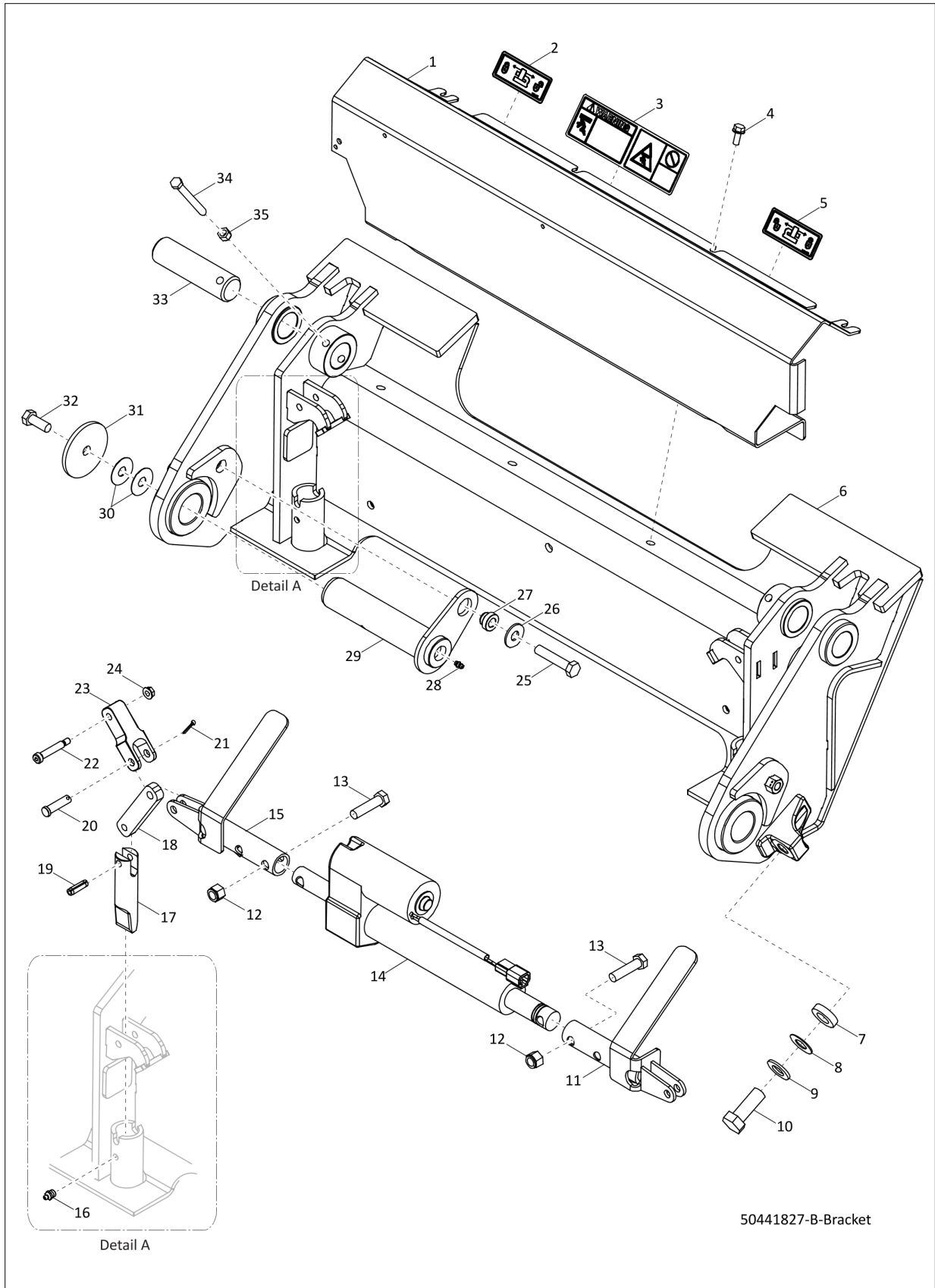
Item	Part No.	Name	Qty	Remarks
40	654049	FW 3/8 ANZY	4	
41	L69488	STUD/BALL	4	
50	50280186	KEY/8001 (14603)	1	Included with item 11

LIFT ARM Lift Arm

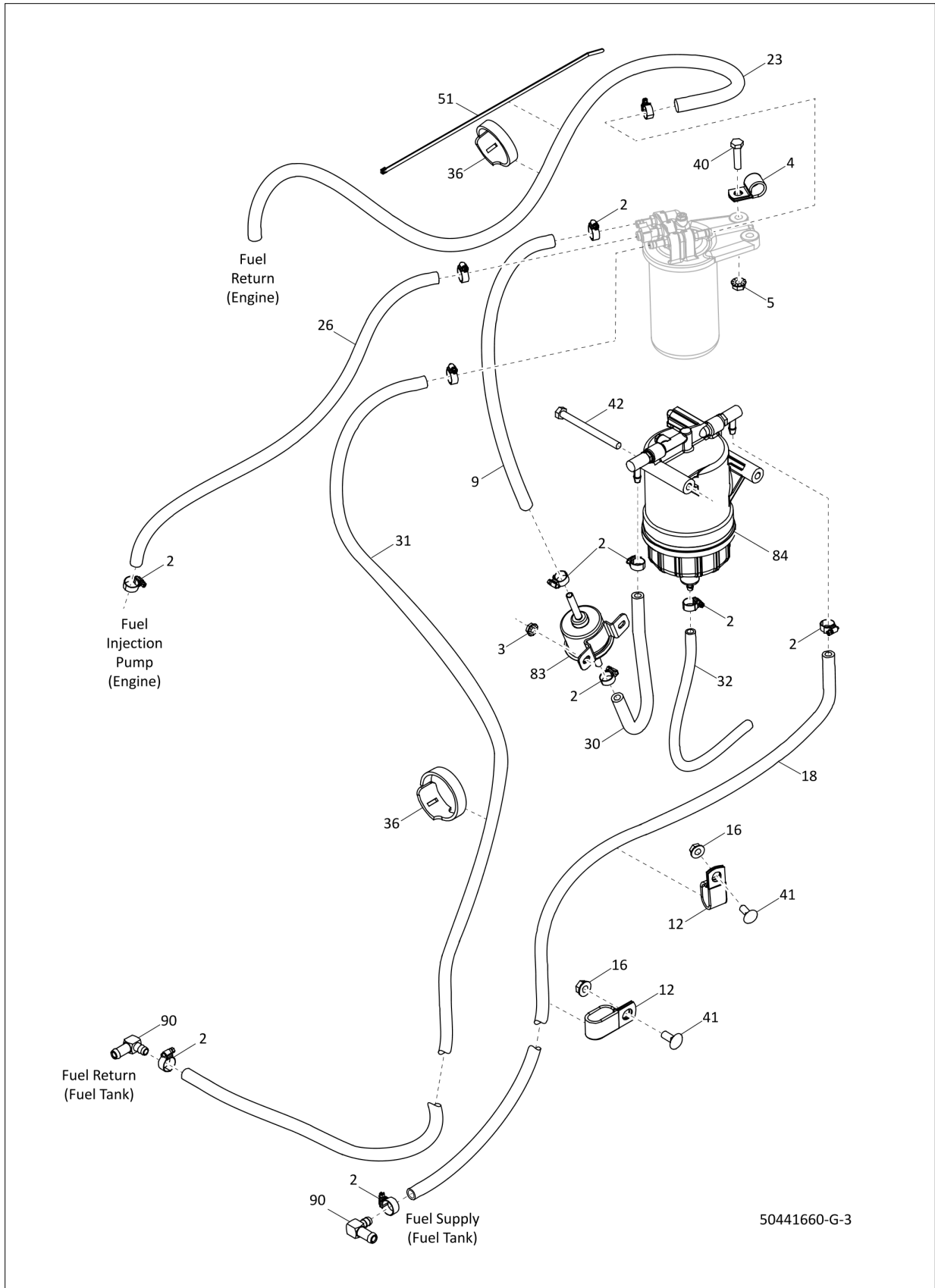


400477-M-1

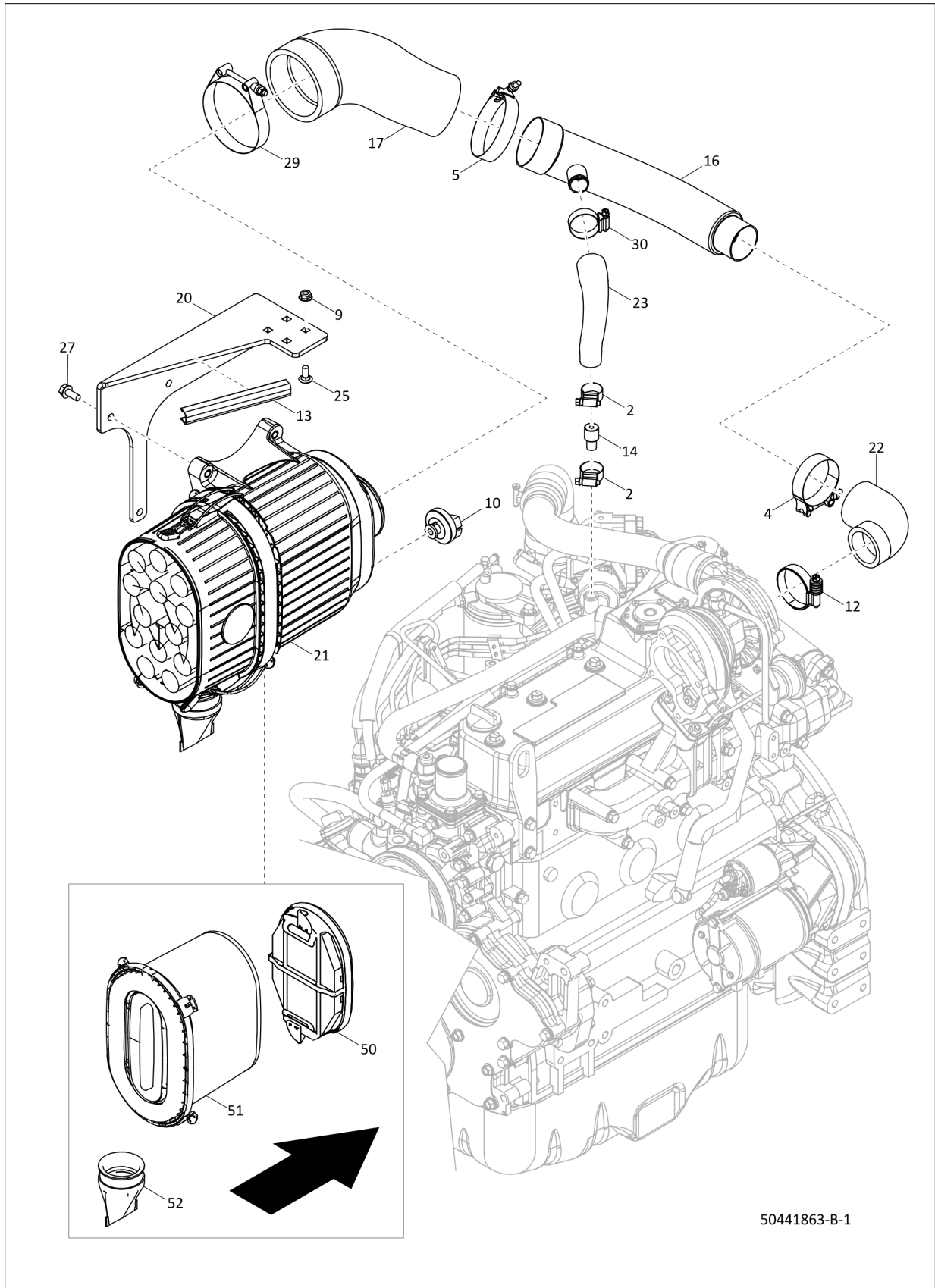
Attachments Attachment Bracket (Power-A-Tach)



ENGINE Fuel Circuit (Domestic/EU)

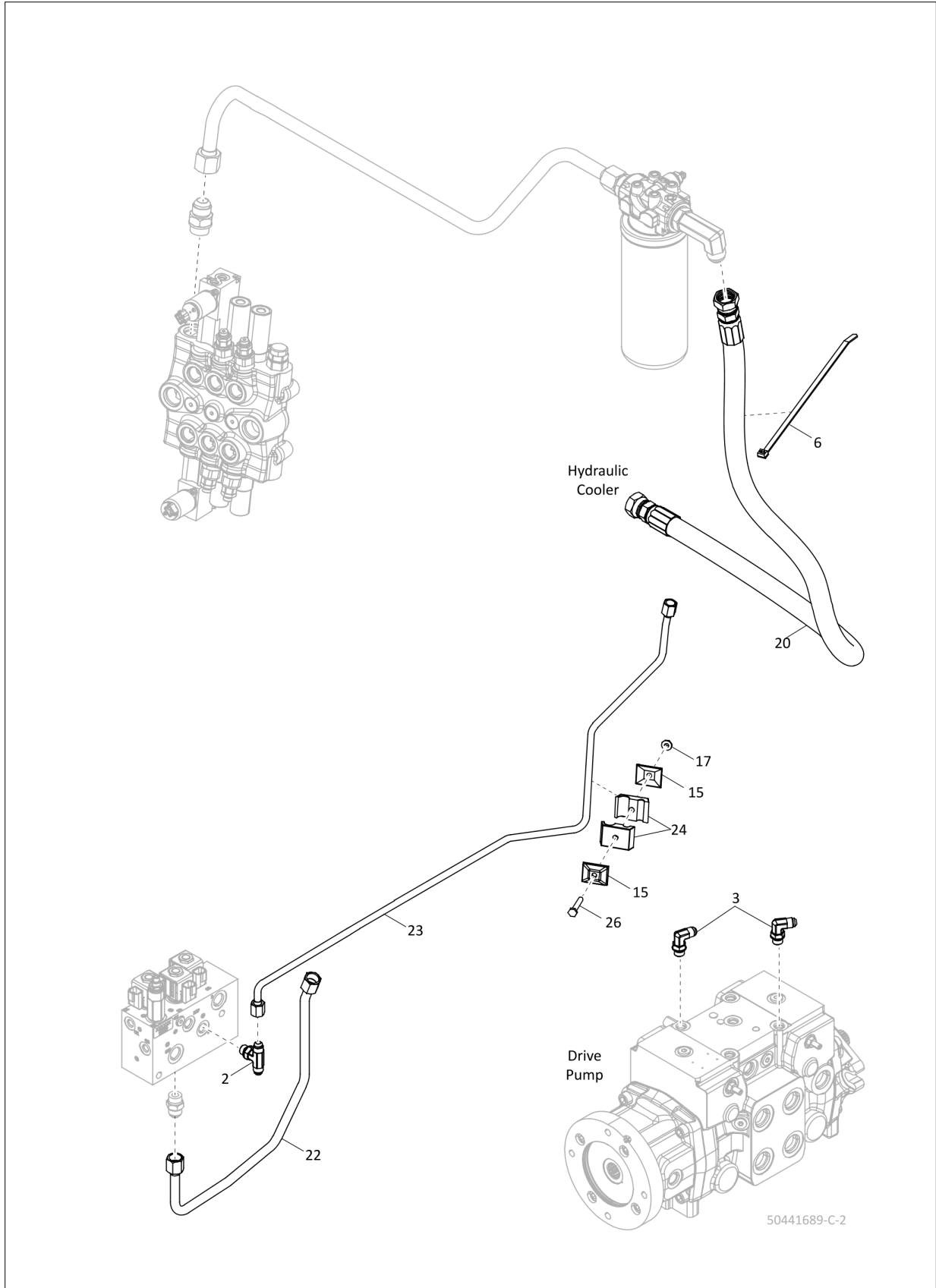


ENGINE Air Intake (ROW)



50441863-B-1

HYDRAULICS Hydraulic Tank Group (Part 2 of 2) (Domestic - Late Series)



CLICK HERE TO **DOWNLOAD** THE COMPLETE MANUAL

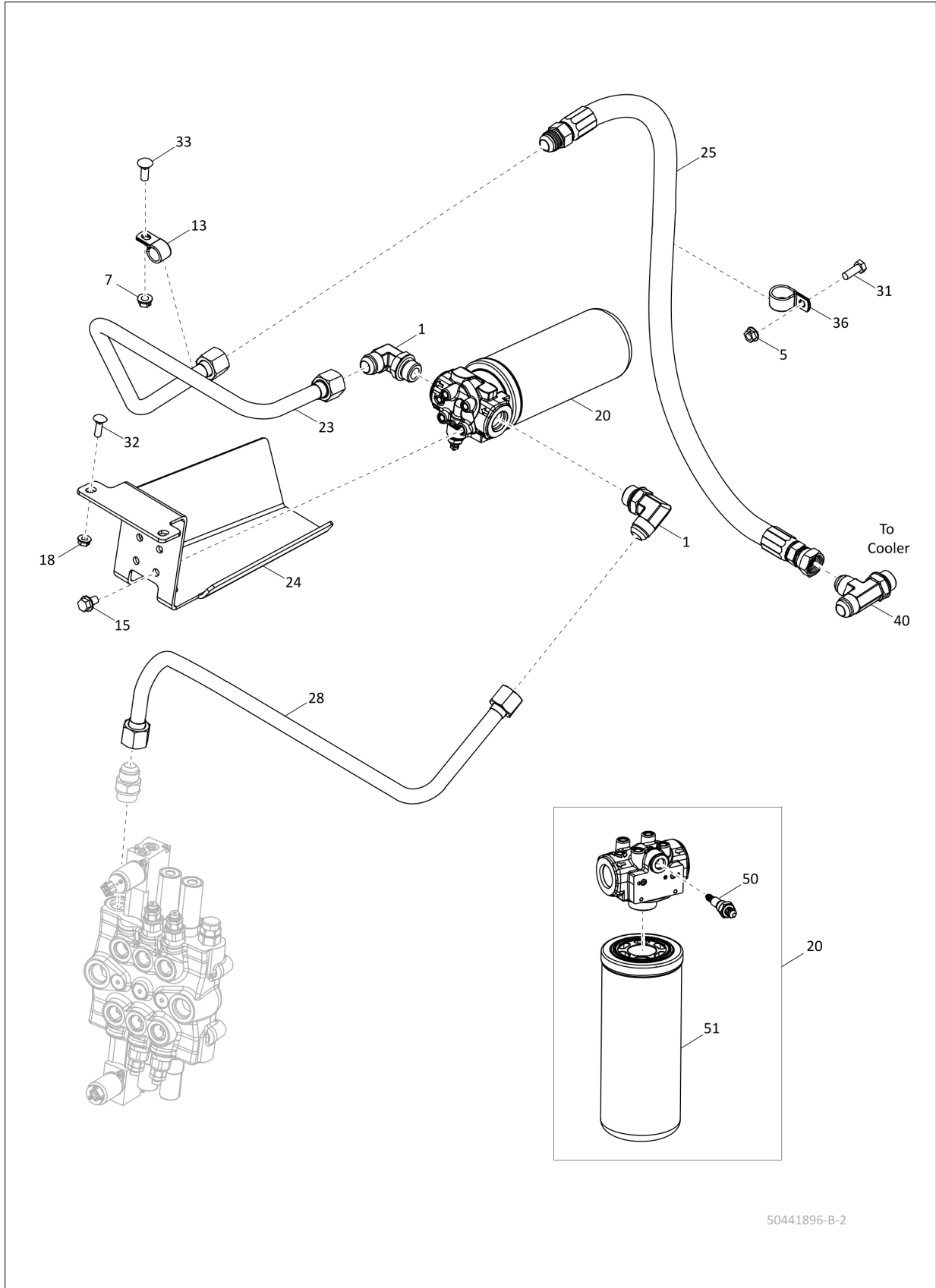
- Thank you very much for reading the preview of the manual.
- You can download the complete manual from: www.heydownloads.com by clicking the link below



- Please note: If there is no response to CLICKING the link, please download this PDF first and then click on it.

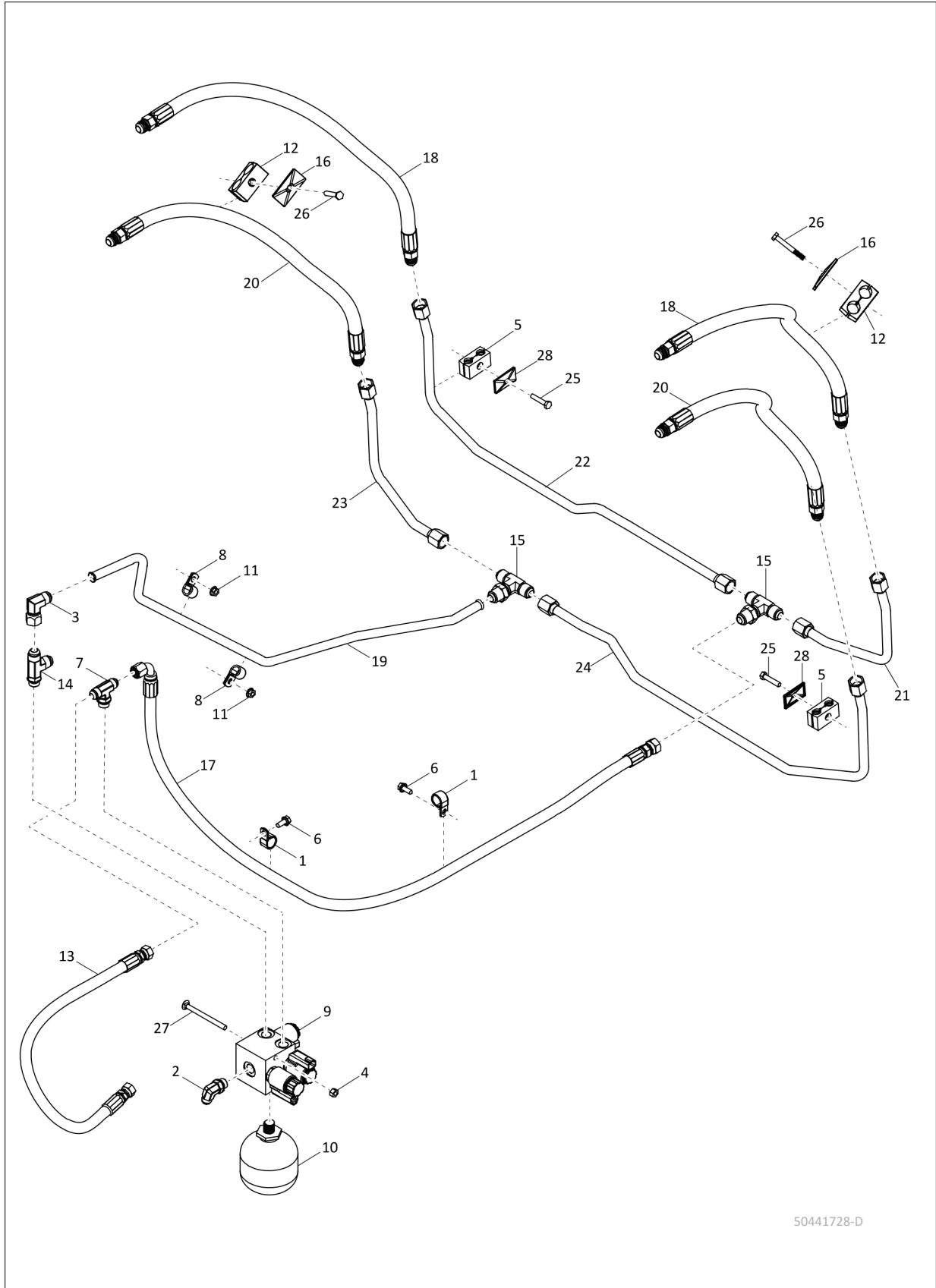
CLICK HERE TO **DOWNLOAD** THE COMPLETE MANUAL

HYDRAULICS Hydraulic Tank Group (Part 2 of 3) (ROW)



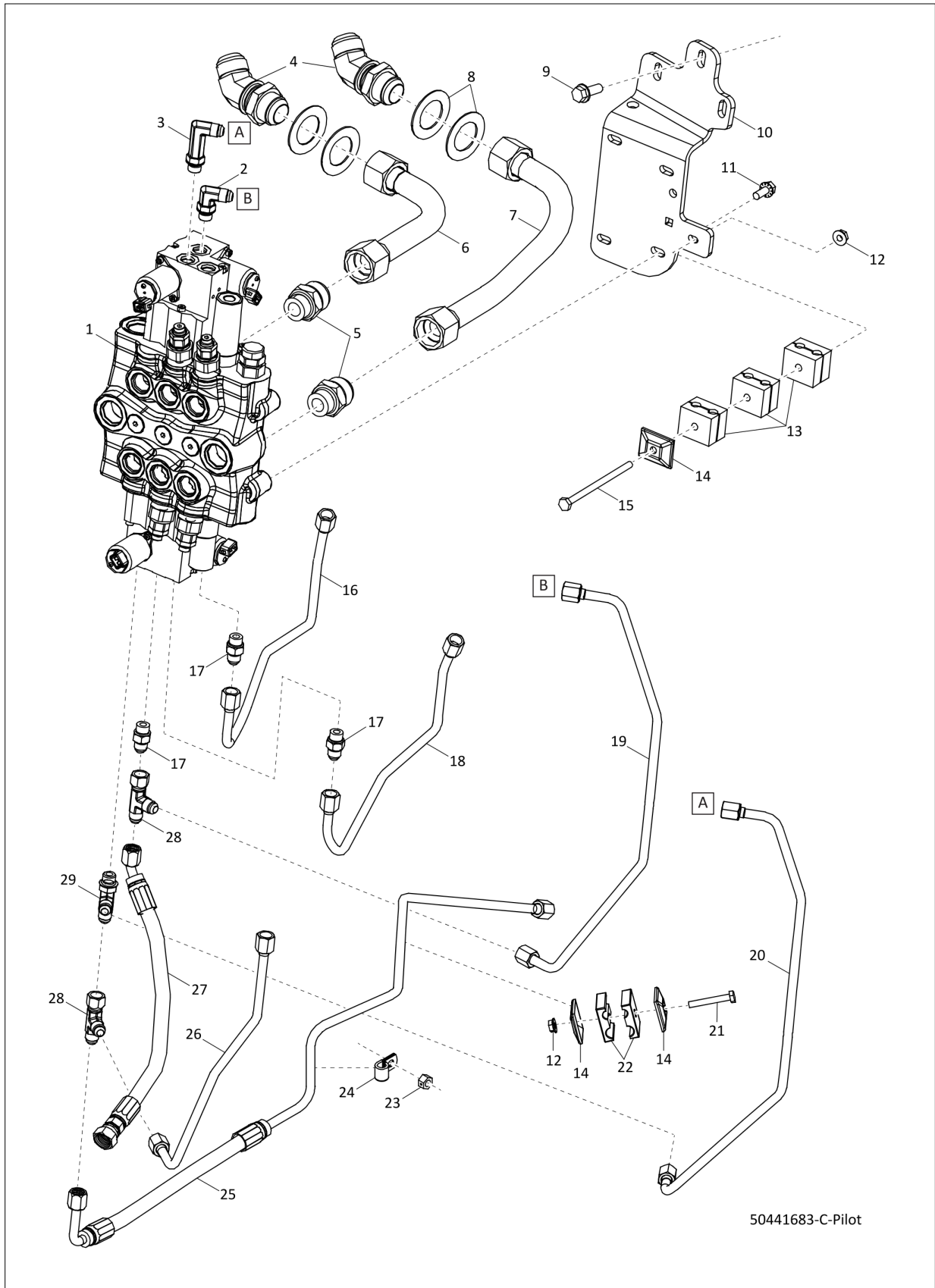
50441896-B-2

HYDRAULICS Float-Hydraglide Circuit (Late Series)



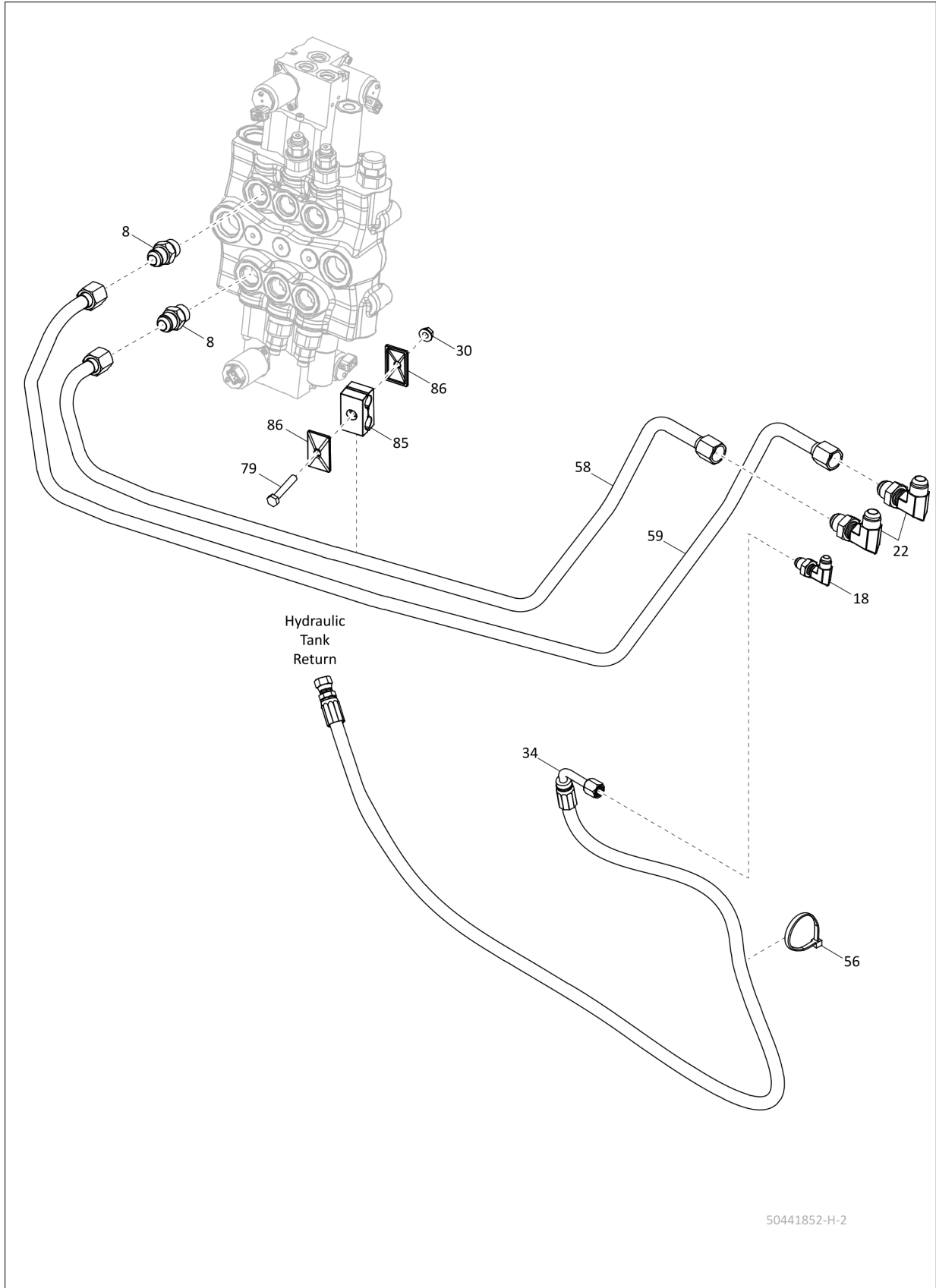
50441728-D

HYDRAULICS Pilot Circuit - High Flow(DOM); RT215 SN 300462 and before;
2150RT SN 101403 and before

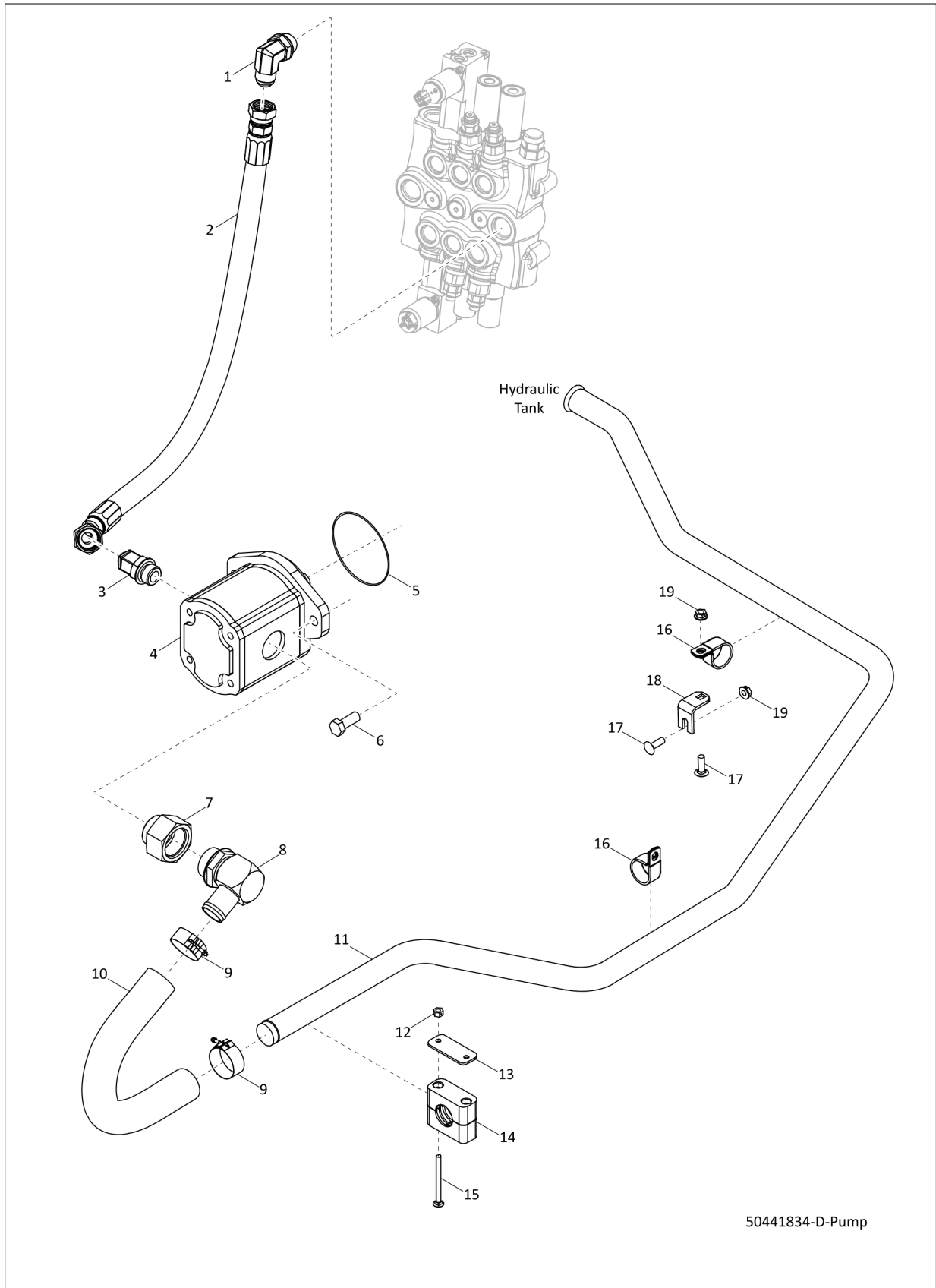


50441683-C-Pilot

HYDRAULICS Pilot Auxiliary Tubes - High Flow (EU)

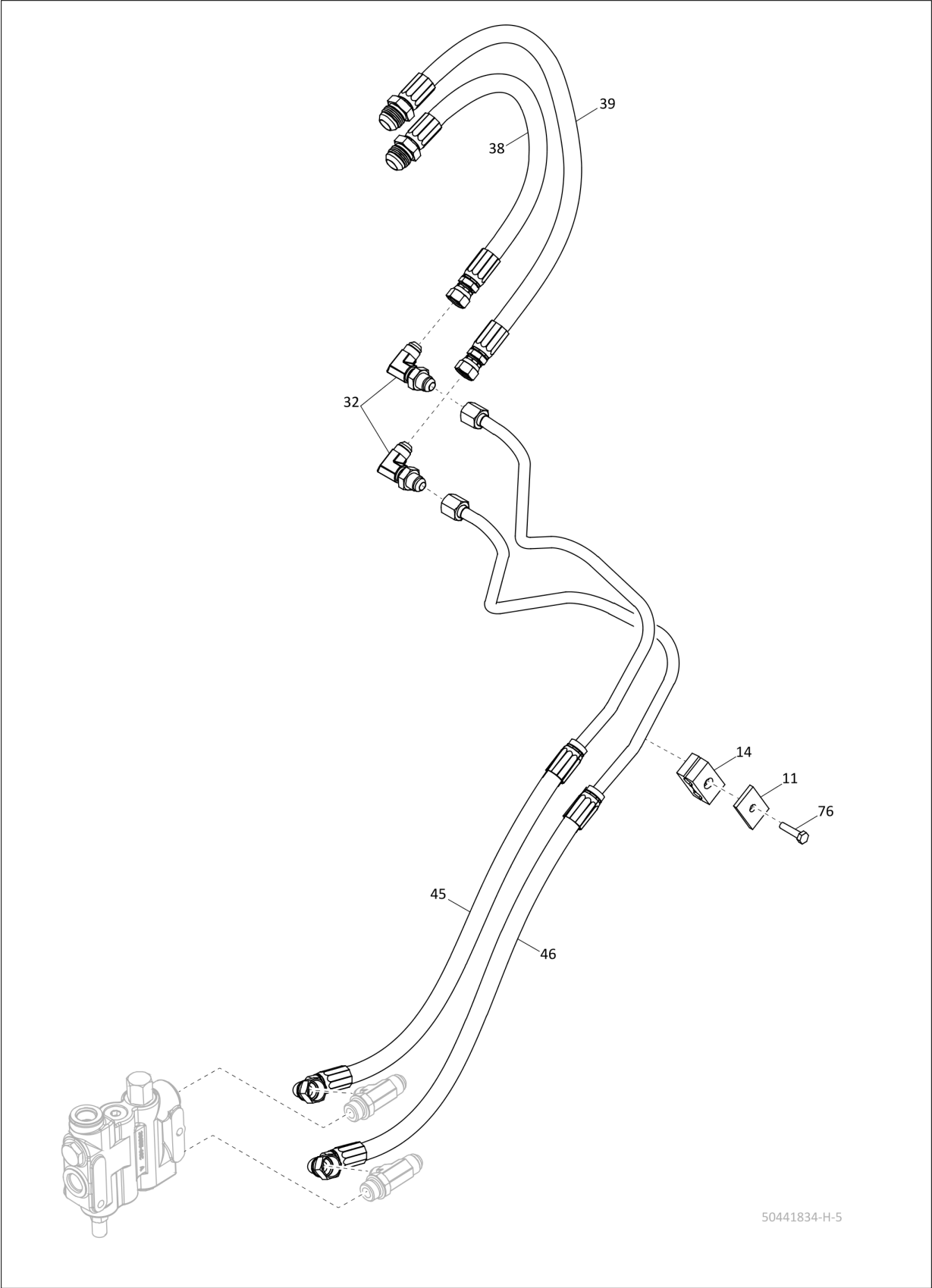


HYDRAULICS Hydraulic Pump Circuit - Standard (DOM / ROW); RT215 SN 300462 and before; 2150RT SN 10403 and before



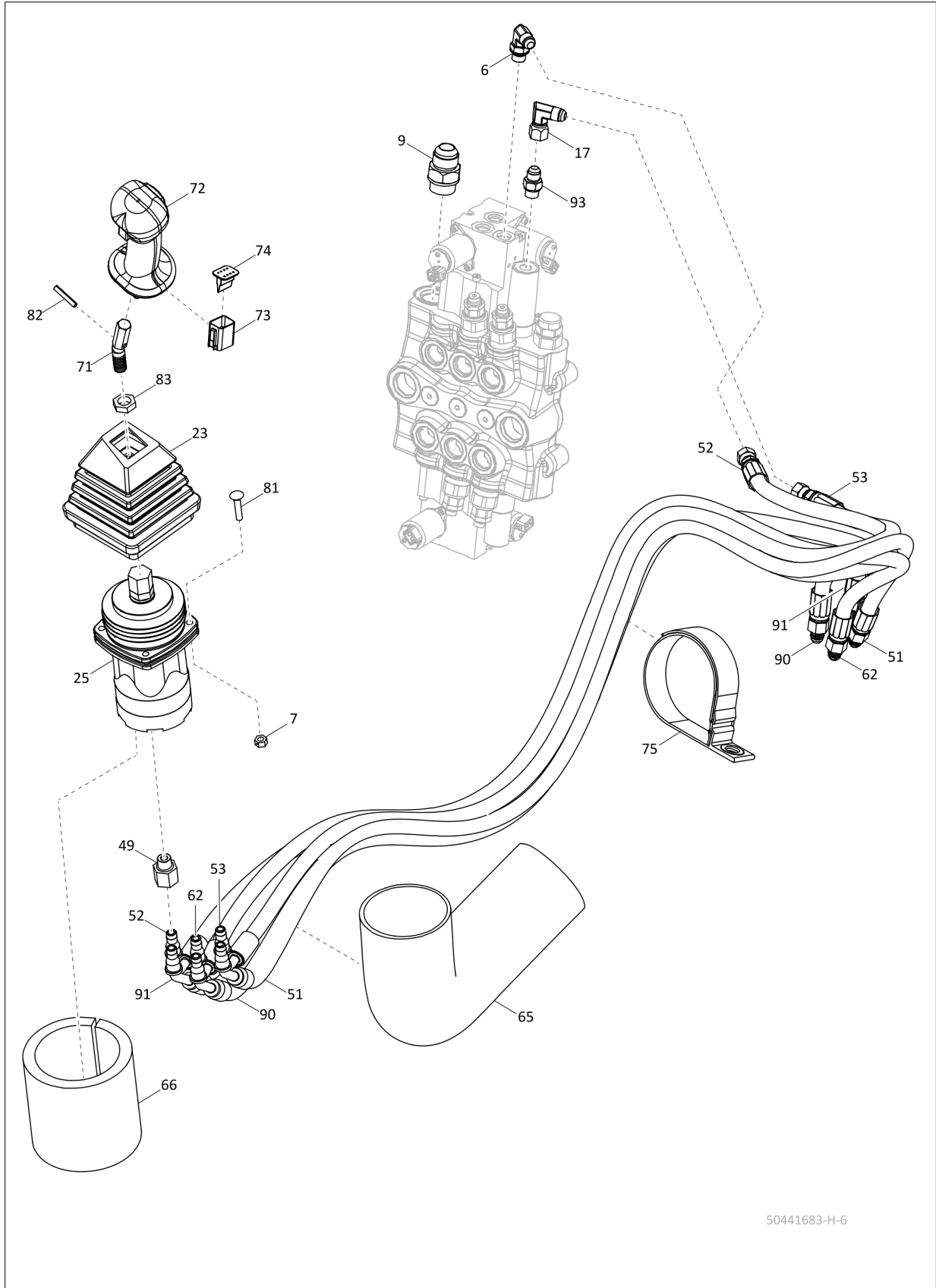
50441834-D-Pump

HYDRAULICS Tilt Hoses- Standard (DOM / ROW)



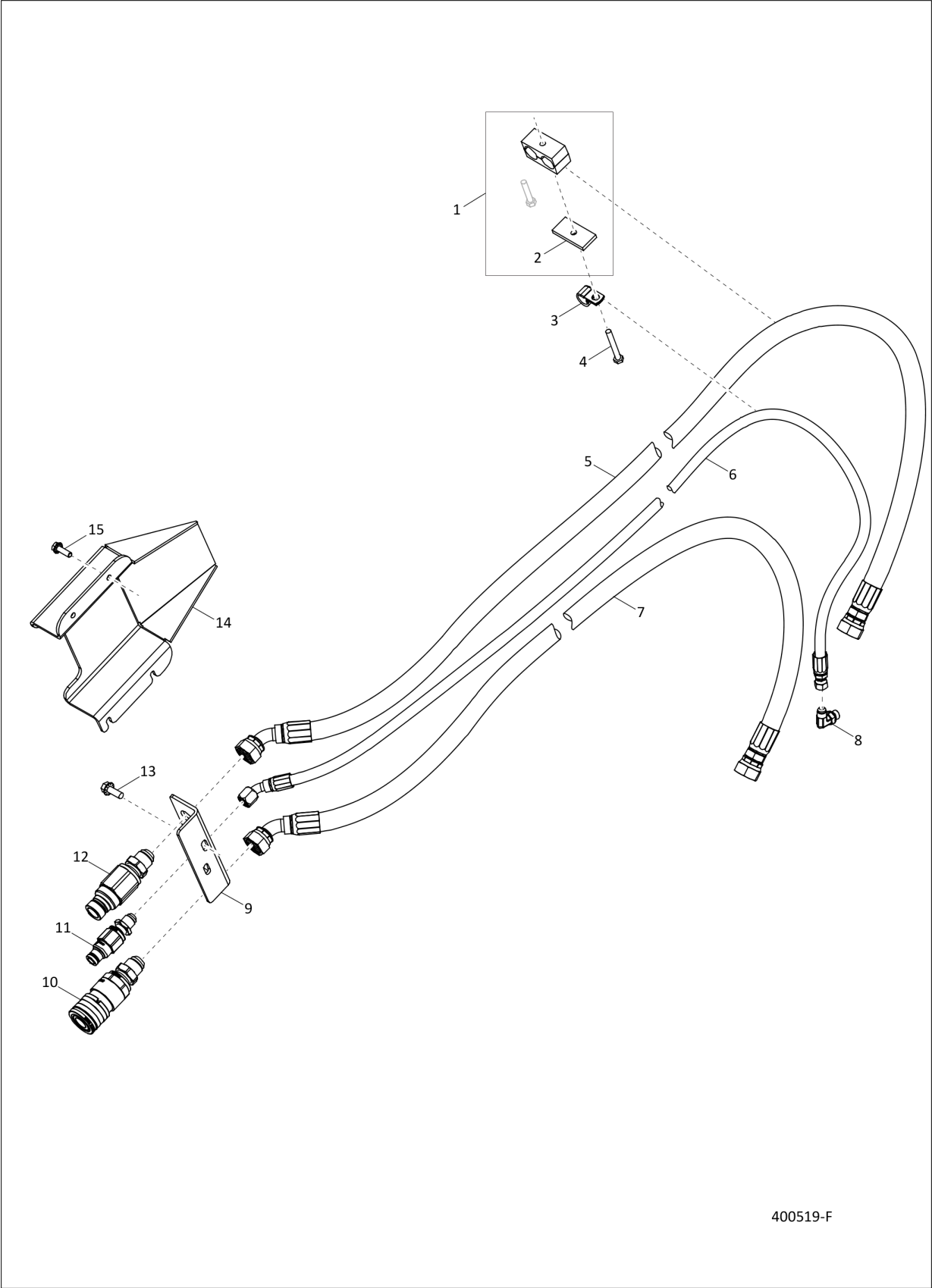
50441834-H-5

HYDRAULICS Lift/Tilt Circuit - High Flow (DOM / ROW)



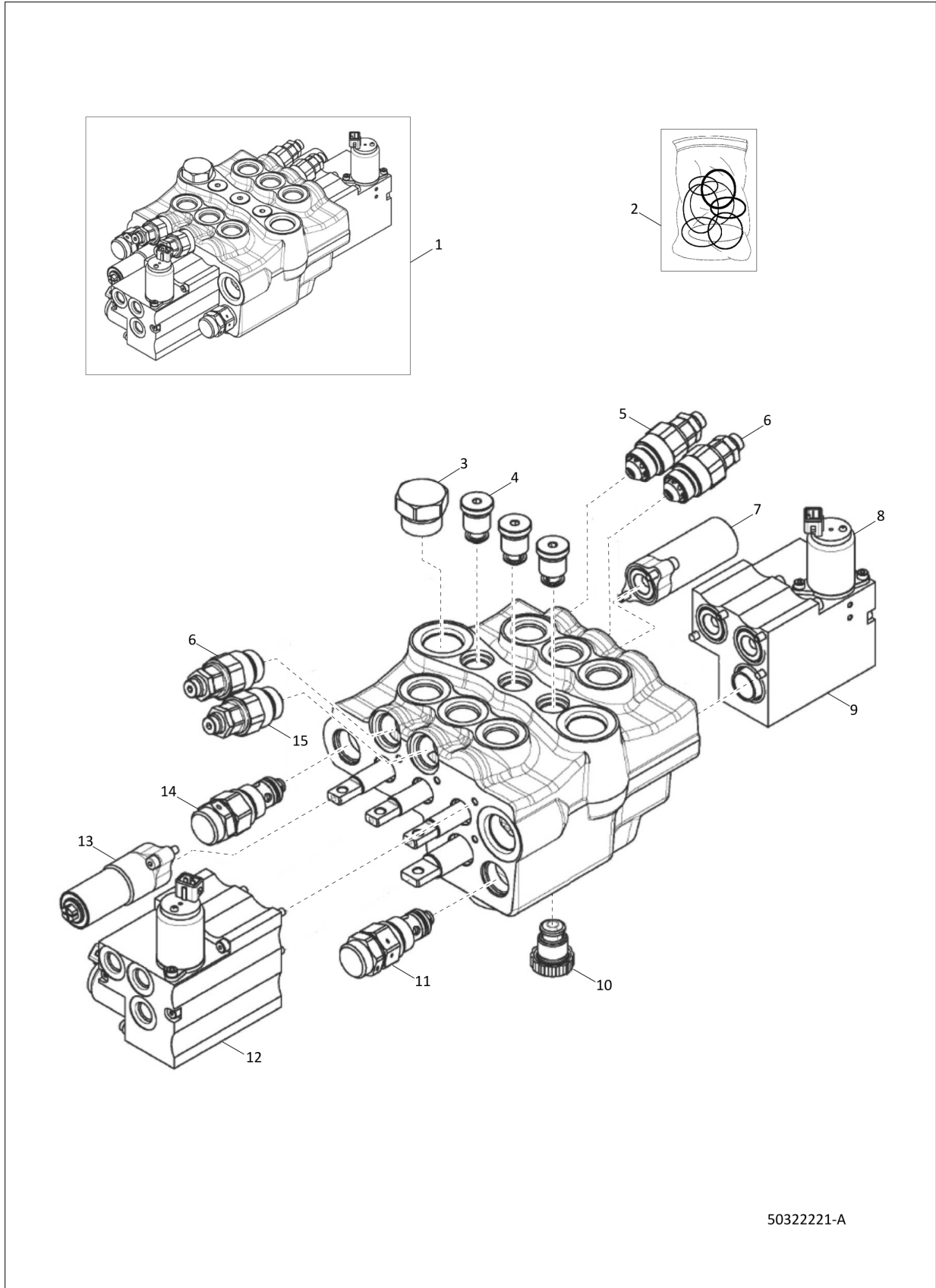
50441683-H-6

Lift Arm Hydraulics Hose Group (High-Flow Option)



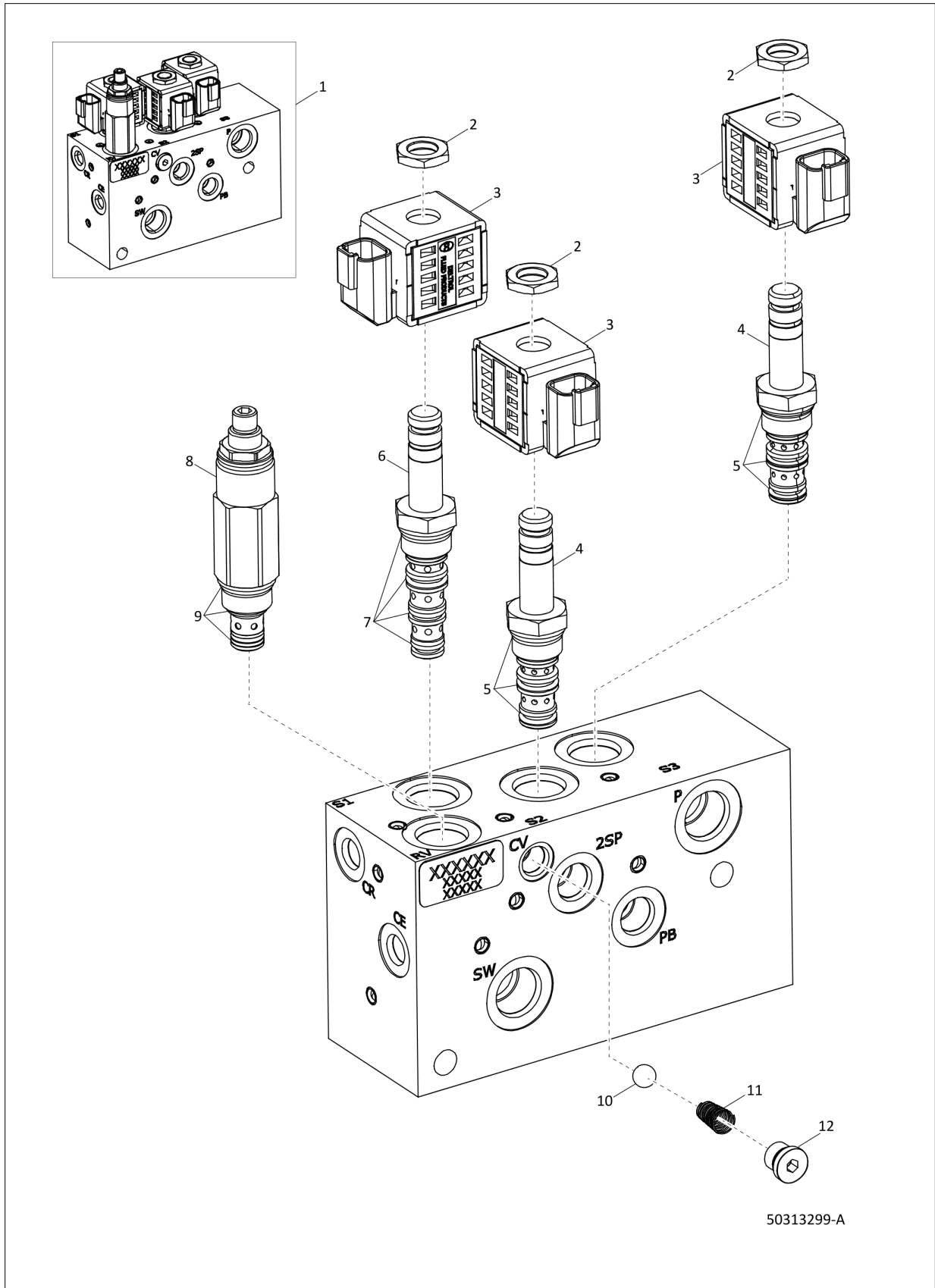
400519-F

Components 4-Spool Pilot Control Valve (PN 50322221)

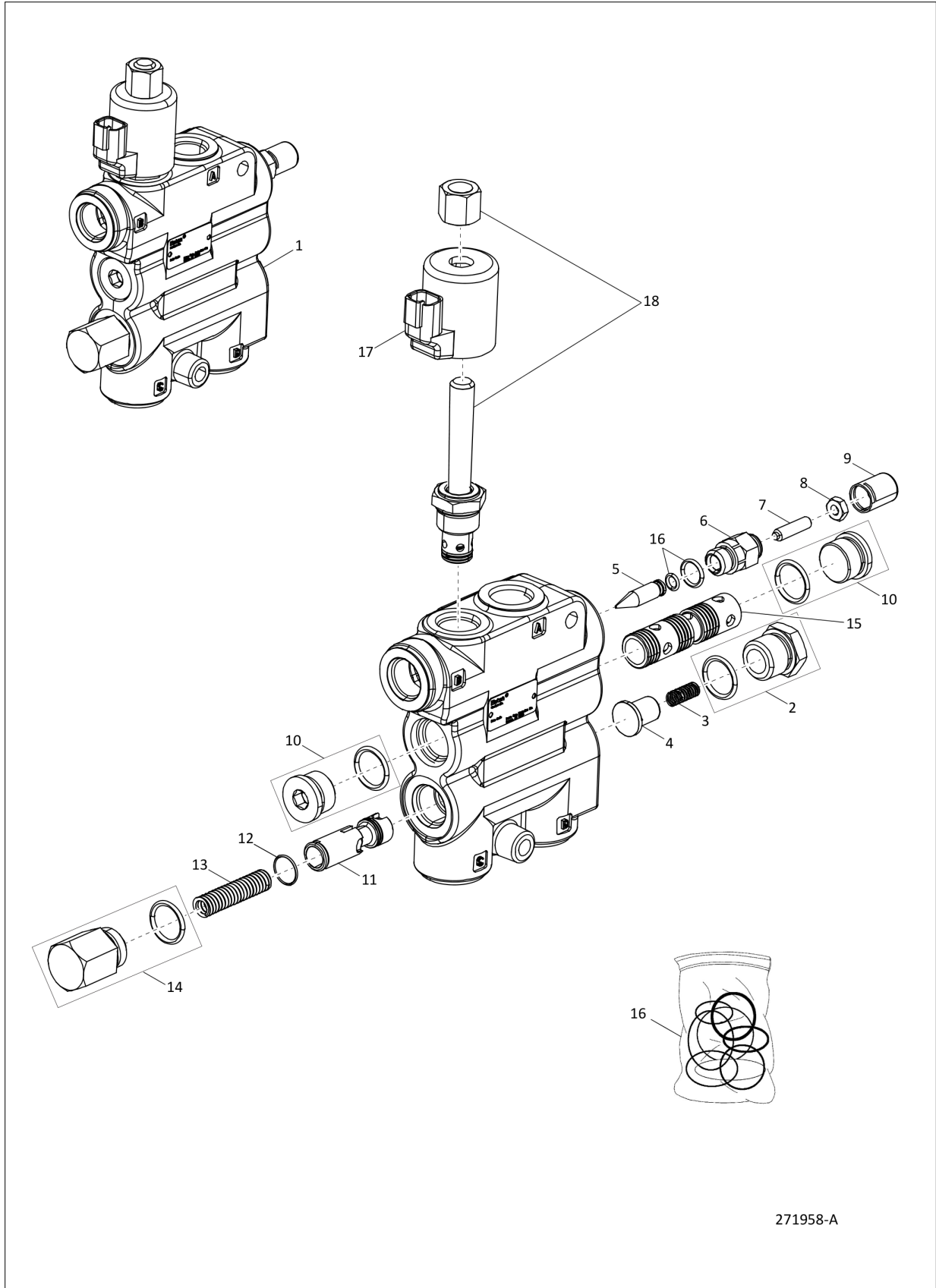


50322221-A

Components Track Tension Manifold

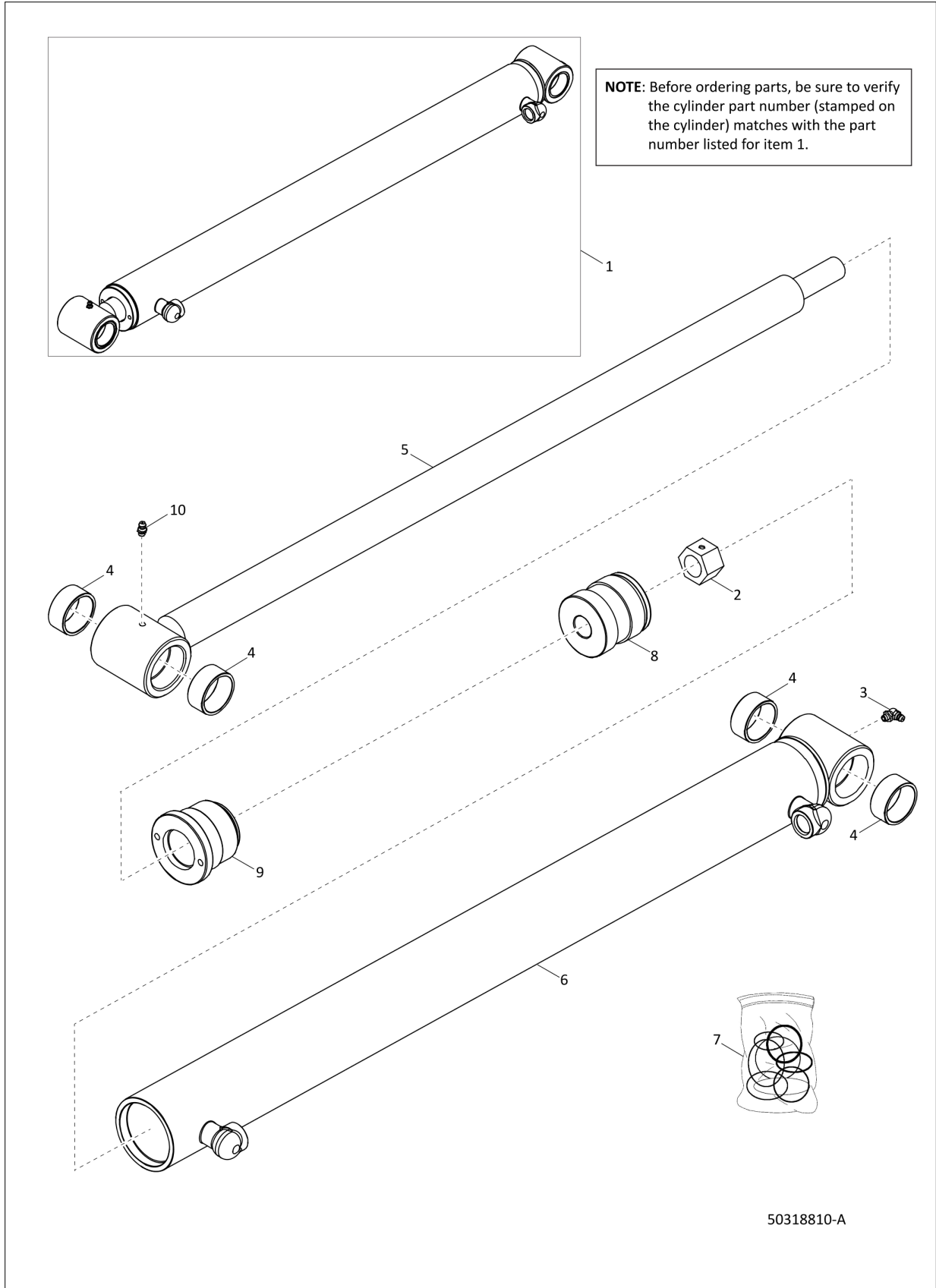


Components Self-Leveling Valve w/ Bypass (PN 271958)



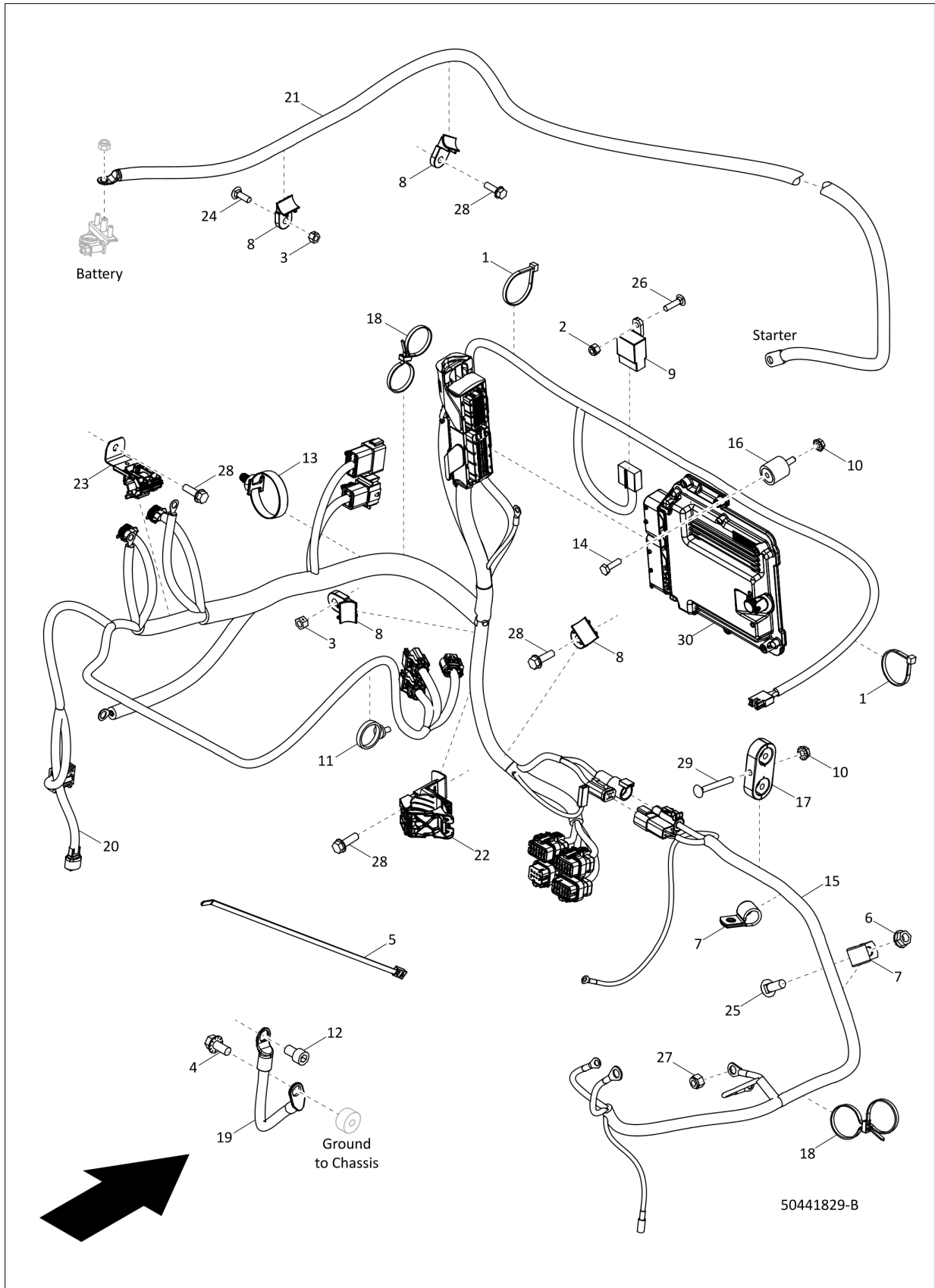
271958-A

Cylinders Tilt Cylinder

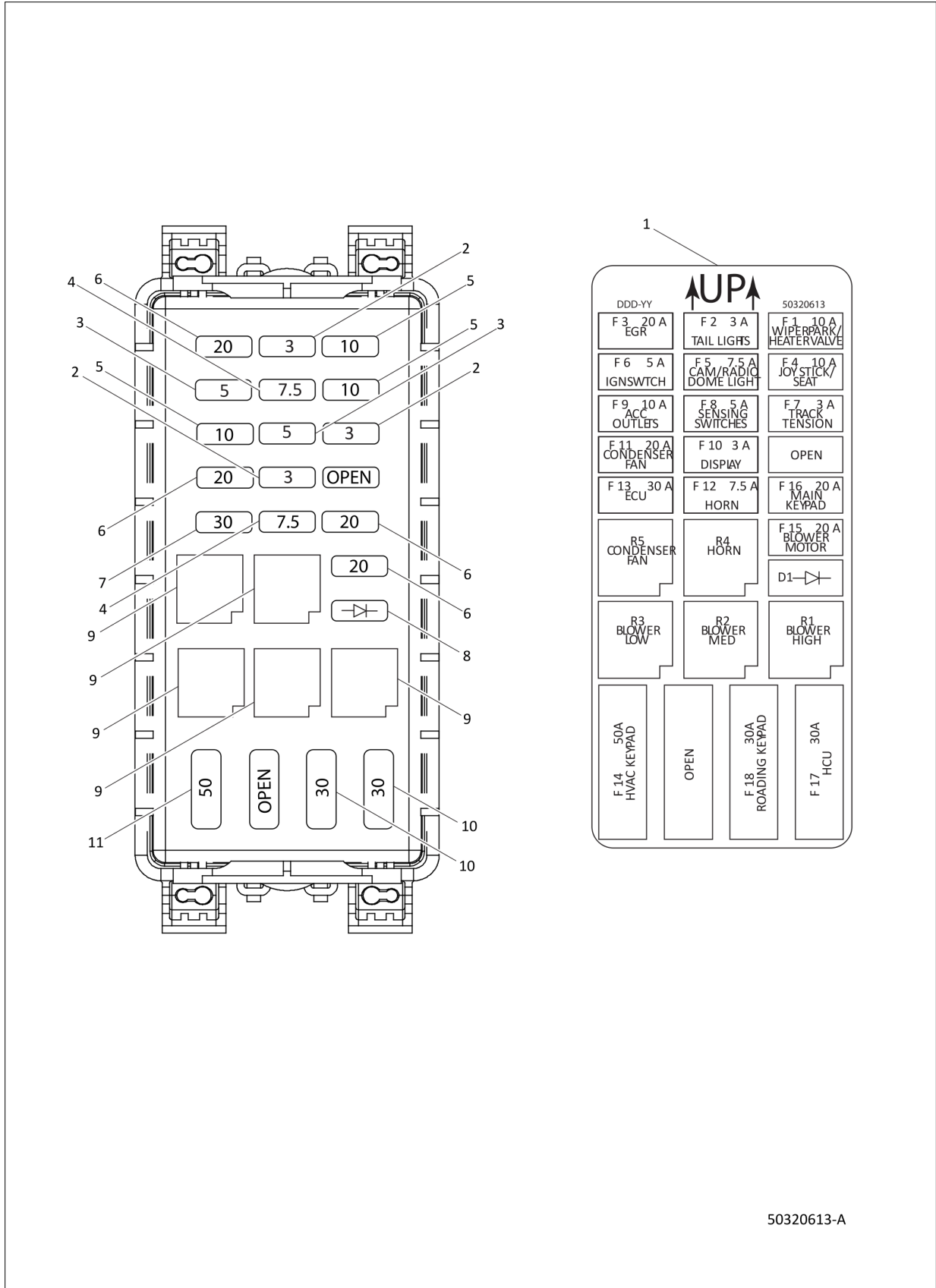


50318810-A

ELECTRICAL Engine Harness (DOM / EU)

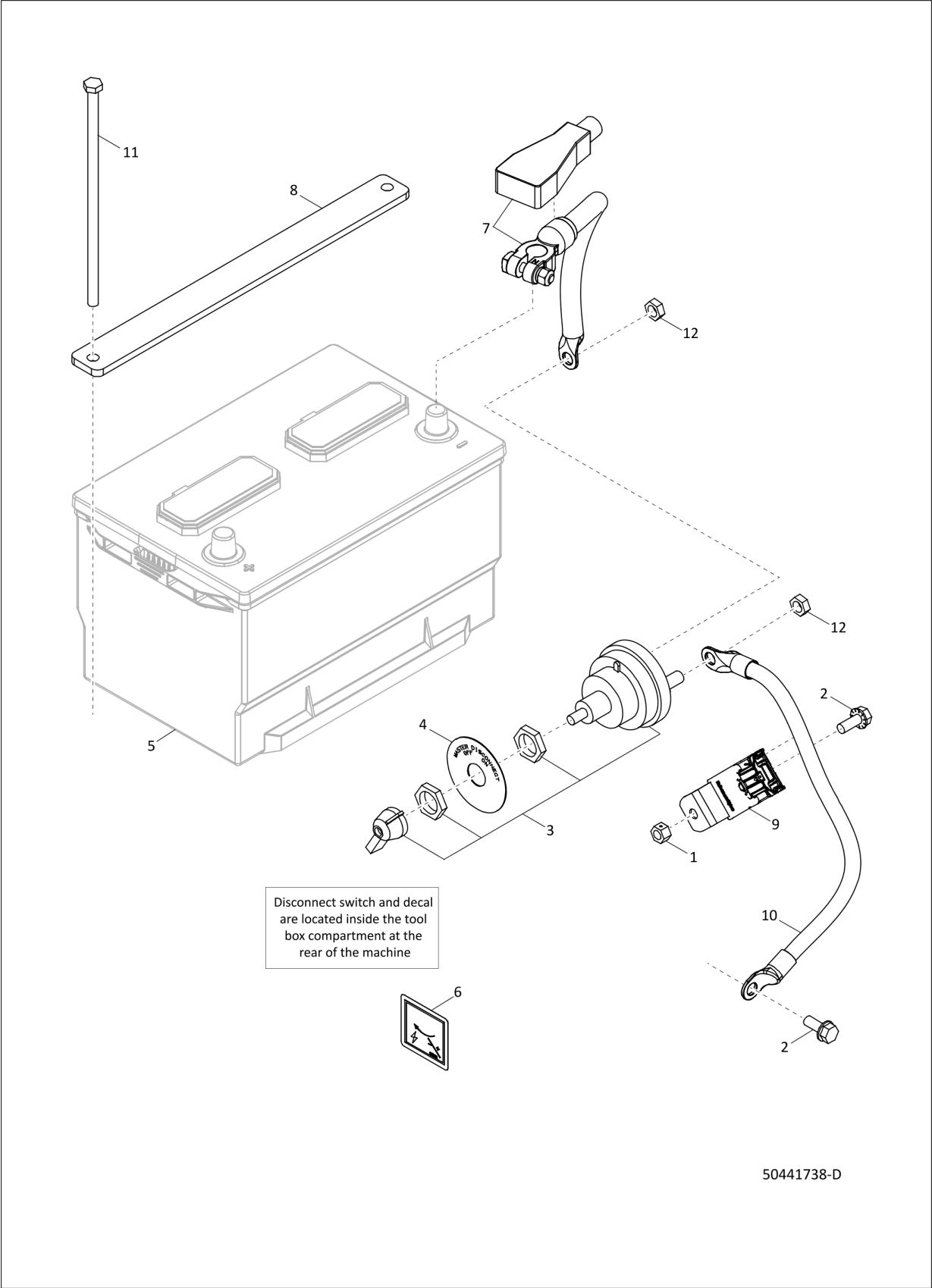


ELECTRICAL Fuses-Chassis Harness

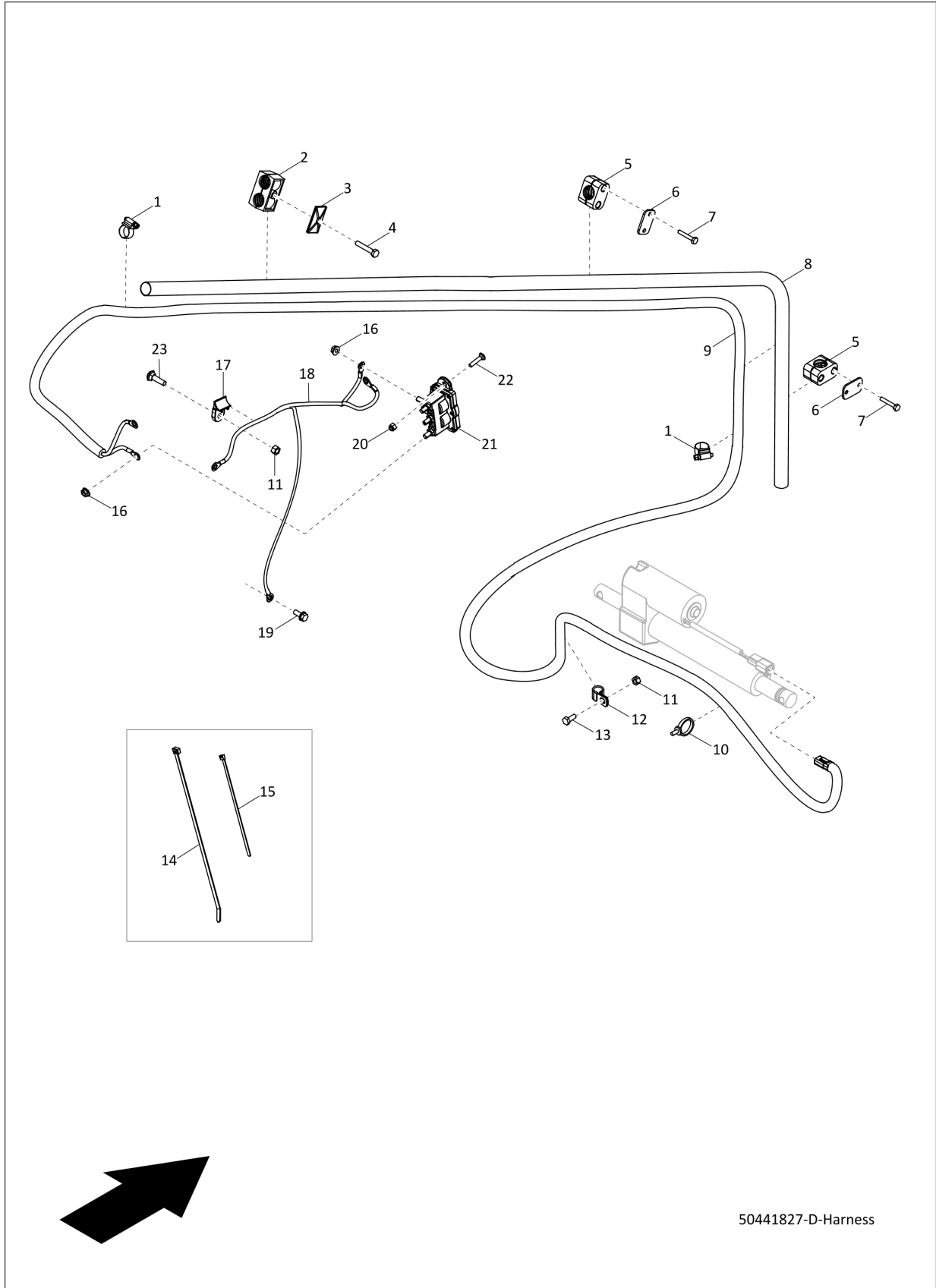


50320613-A

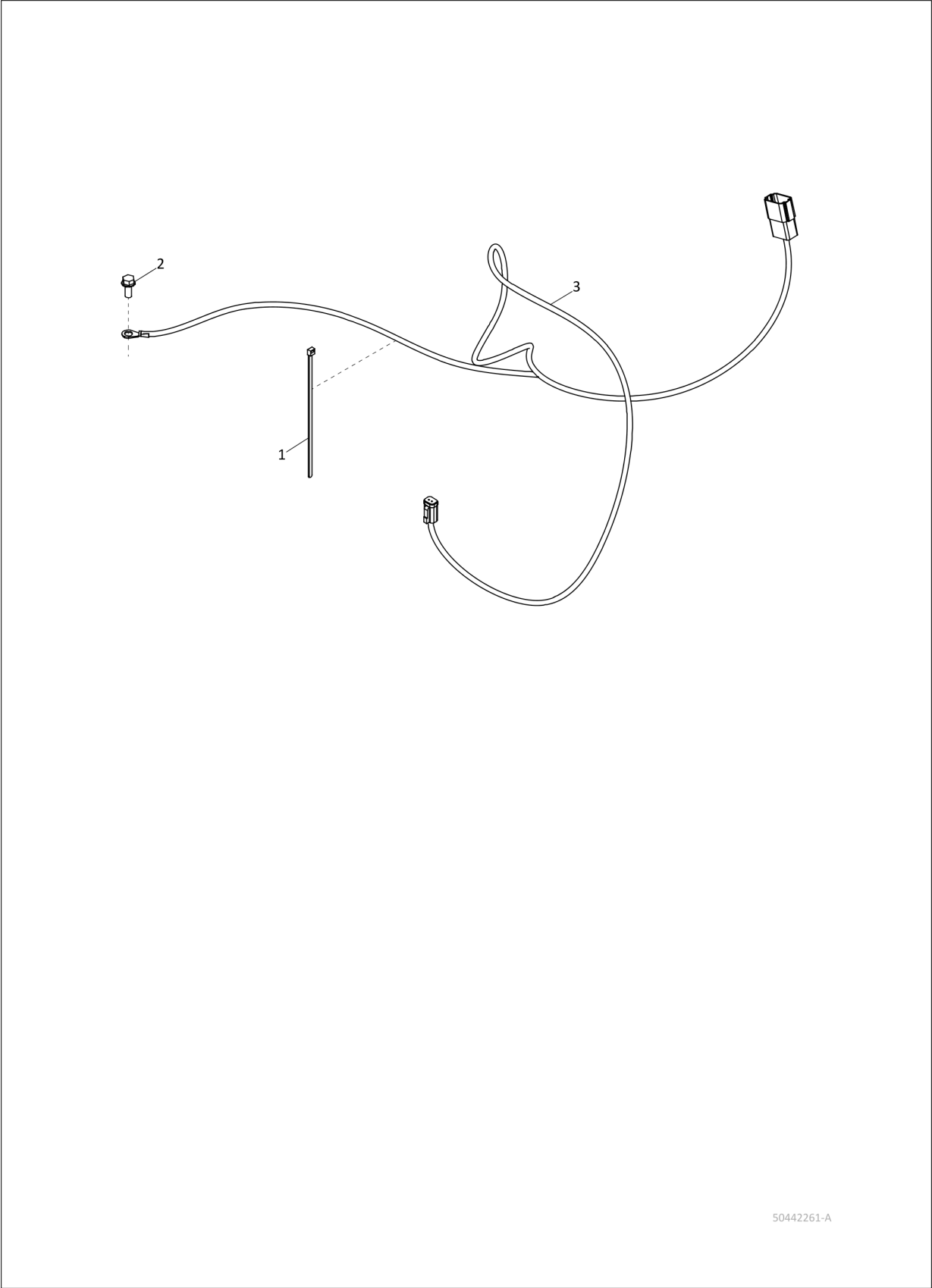
ELECTRICAL Battery Disconnect



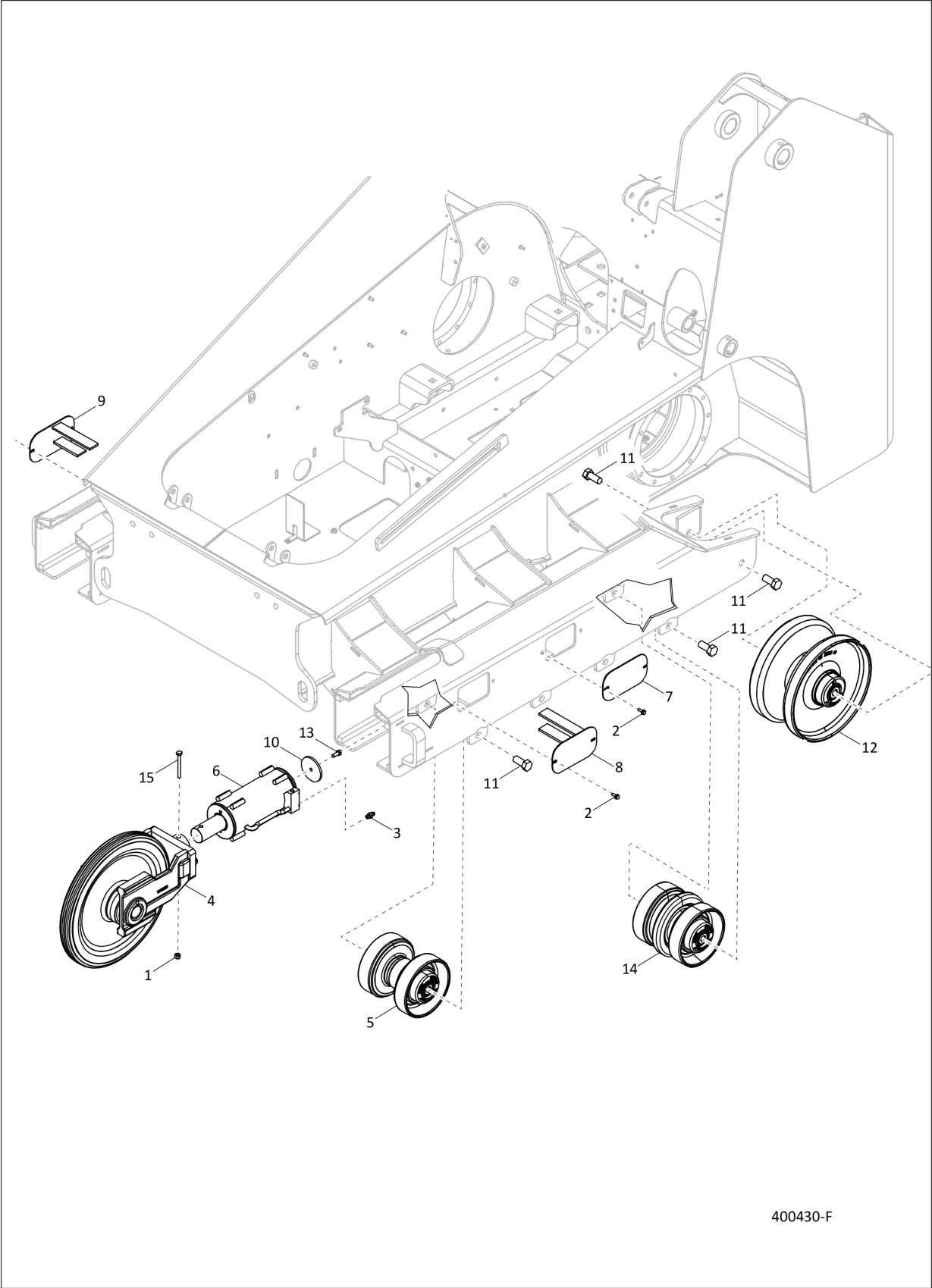
ELECTRICAL Power Attachment Harness



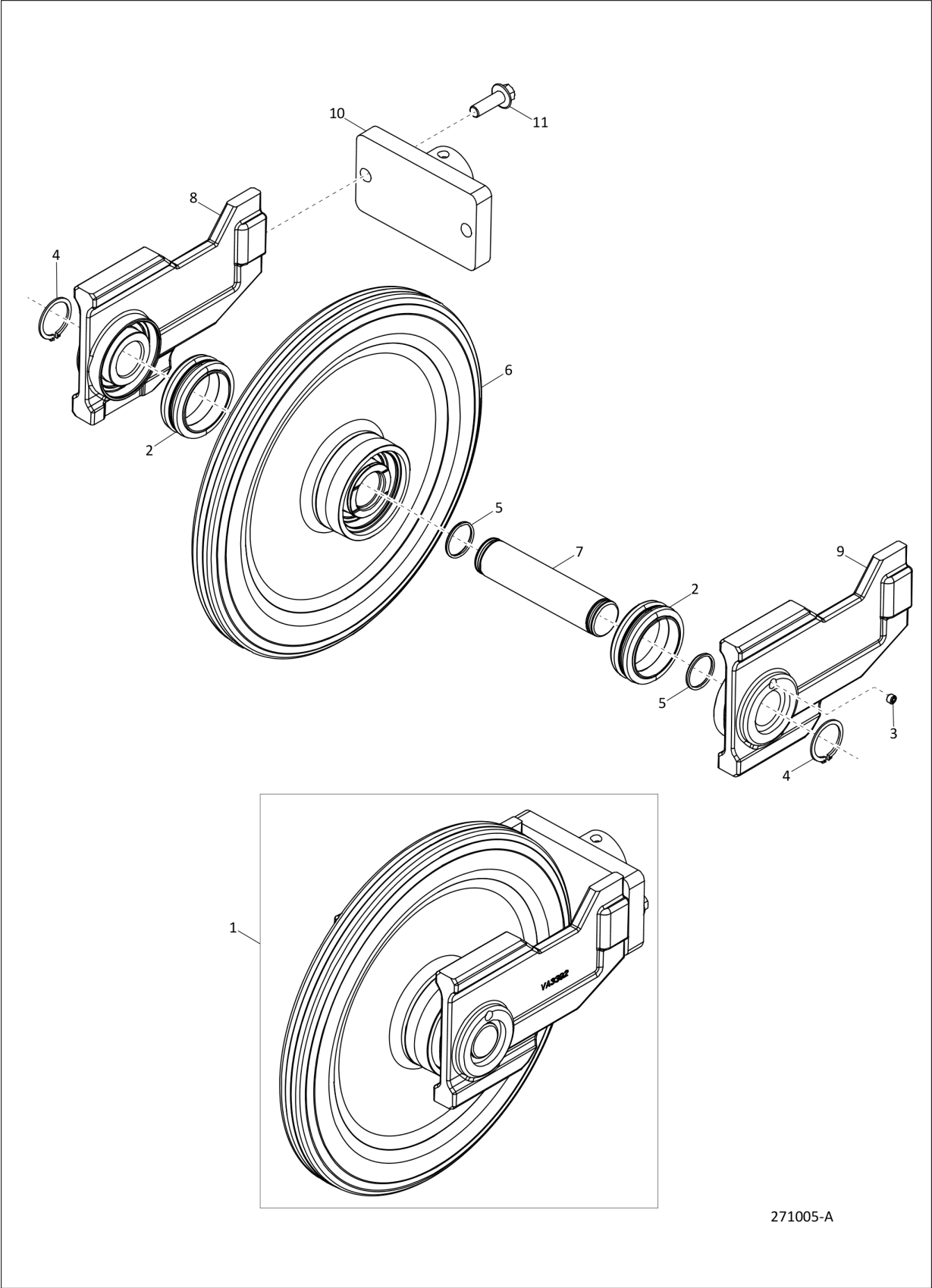
ELECTRICAL Joystick Lock-Out Harness (EU)



50442261-A



DRIVETRAIN Front Idler



271005-A

273214	116	275249	78
273217	126, 130, 134	275268	180
273228	126, 130, 134	275291	78
273340	54, 58	275325	126, 130, 134
273369	86, 180, 314, 316, 320, 330, 332, 340, 346, 348	275328	84, 120
273382	92, 314	275380	346, 348
273406	54, 58	275386	84
273407	54, 58	275538	318
273408	54, 58	275574	366, 372
273445	200	275597	100, 104
273451	260	275598	40
273459	260	275599	40
273529	180	275600	40
273545	118	275601	40
273567	84, 120, 146	275609	100, 104
273628	262, 262	275629	346, 348
273631	266, 266	275635	12, 20
273689	260	275640	82
273773	320	275882	314
273844	260	275914	154, 156
273860	262	275977	266
273863	260	275982	116, 118
273867	222, 224, 226	276026	44, 52, 56, 116, 118
273885	362	276038	146
273915	358	276045	346, 348
274011	300	310-32288	340, 342
274114	266	310-32610	112, 114
274185	166	310-32616	180, 314
274203	36	310-32686	344
274370	206, 208	350-27299	292, 296
274424	54, 58	380-32420	296
274526	154, 156	420-19671	352
274602	366	420-29434	260
274603	358	420-34798	292, 296
274655	124	420-34912	8
274666	238, 240, 282	420-34913	8
274674	260, 308	420-34914	8
274675	260, 312	420-36087	86, 88, 90
274717	126, 130, 134	420-36134	100, 104
274734	80	420-36187	52, 56
274735	168	425-36233	180
274788	38, 40	50220070	326
274804	142	50220071	326
274868	78	50220719	2, 172, 176
274870	124	50220918	286
274886	100, 104	50220964	286
275016	36, 84, 120	50221053	332
275135	124	50221251	370
275174	124	50221252	368, 370
275175	124	50221260	2
275176	124	50221264	314
275177	124	50221287	2
275225	108	50221289	68, 70
275226	108	50250365	2
275228	108	50250370	316
275232	38	50250574	286
275241	38	50250577	286
		50280001	164

CLICK HERE TO **DOWNLOAD** THE COMPLETE MANUAL

- Thank you very much for reading the preview of the manual.
- You can download the complete manual from: www.heydownloads.com by clicking the link below



- Please note: If there is no response to CLICKING the link, please download this PDF first and then click on it.

CLICK HERE TO **DOWNLOAD** THE COMPLETE MANUAL