




**GENUINE PARTS CATALOGUE
CATALOGUE PIÈCES D'ORIGINE
ORIGINAL ERSATZTEILKATALOG
CATALOGO DE PIEZAS LEGITIMAS
CATALOGO RICAMBI ORIGINALI**

This document has been printed from  **mye doc**

MANITOU BF

Head office: 430, Rue de l'Aubinière
44150 Ancenis - FRANCE
Share capital: 39,548,949 euros
857 802 508 RCS Nantes
Tel: +33 (0)2 40 09 10 11
www.manitou.com

CLICK HERE TO **DOWNLOAD** THE COMPLETE MANUAL

- Thank you very much for reading the preview of the manual.
- You can download the complete manual from: www.heydownloads.com by clicking the link below



- Please note: If there is no response to CLICKING the link, please download this PDF first and then click on it.

CLICK HERE TO **DOWNLOAD** THE COMPLETE MANUAL

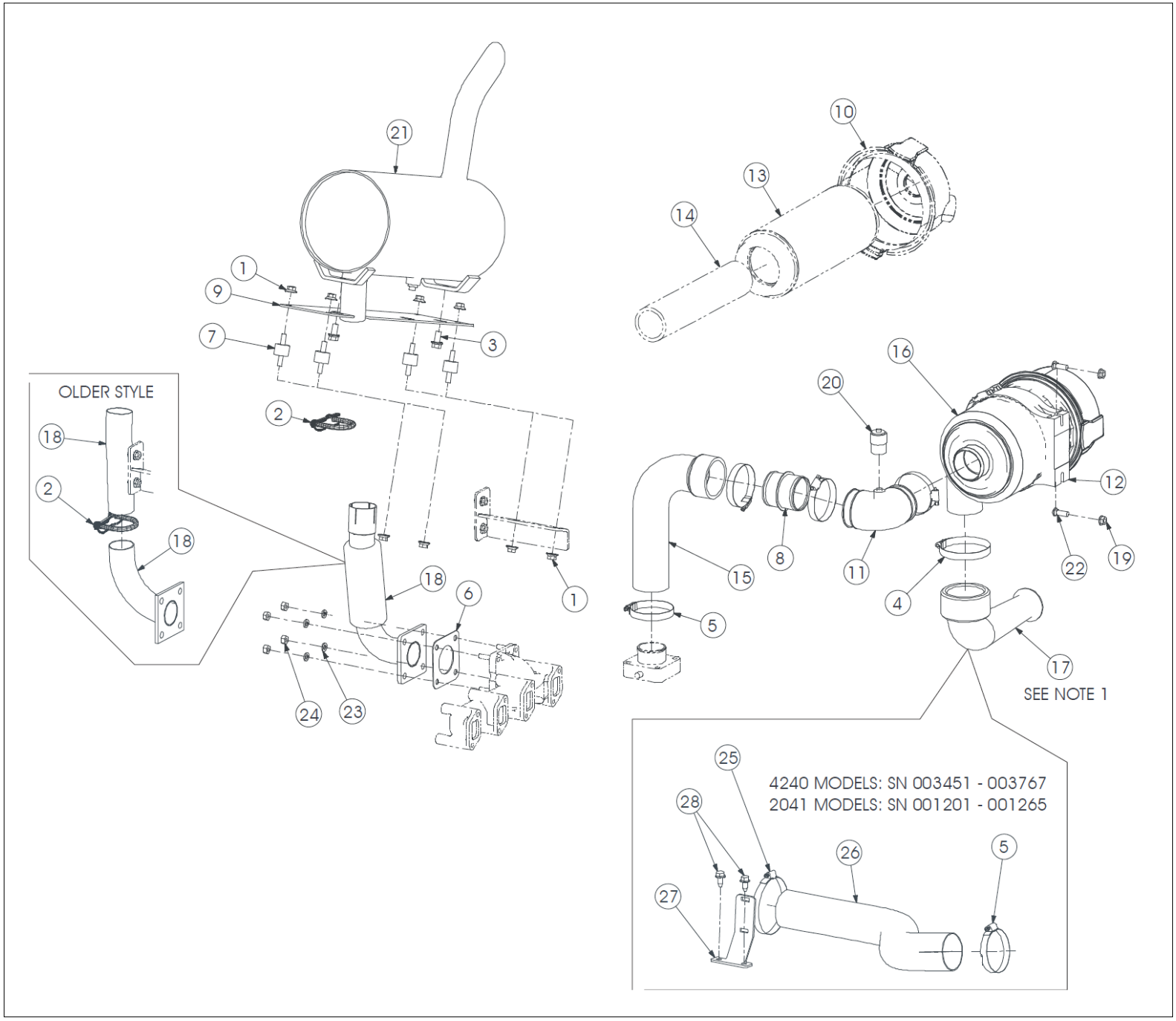
Item	Part No.	Name	Characteristics	Qty	Superseded PartNumber	Machine applicability
65	650786	CB 3/8x1-1/4 C5ZY		1		
66	650811	CB 1/2x1 C5ZY		1		
67	650815	RHMS SLT #1024x3/4 CZY		2		
68	650834	CB 1/2x1-1/2 C5ZY		1		
69	650985	SCREW/TAPPING HEX WASHER HEAD THREAD CUTTING 5/16 X 3/4		57		
70	653005	HN 1/4 C2ZY		2		
71	654009	FW 1/2 AWZY		3		
72	654024	LW 5/16 RZY		2		

Item	Part No.	Name	Characteristics	Qty	Superseded PartNumber	Machine applicability
1	030-31905	Screw/Shoulder 1/2x2-1/2 C8 OCG		1		
2	030-31960	Screw/Shoulder 5/8x1 8ZY		1		
3	030-31961	Screw/Shoulder 1/2x1-1/4 8ZY		1		
4	045-31500	Bushing, Oilite, Flanged		4		
5	057557	FW 17/32 ZY		4		
6	064543	Mounting/Isolation		2		
7	067750	NUT/SPEED		7		
8	067823	HLN INST 5/8 CZY		2		
9	070634	LN LG FL SERR 1/4 CZ		3		
10	070634	LN LG FL SERR 1/4 CZ		11		
11	071701	LN 5/16 CBZY		1		
12	071703	LN CTR 3/8 CBZY		1		
13	071706	NUT/LOCK 1/2		1		
14	072490	ISOLATOR/ROPS MTG		2		
15	090-32533	ROPS Support Weldment		1		
16	090-32534	ROPS Latch Weldment		1		
17	090-32536	Plate, Upright Support		2		
18	131945	BUSHING		2		
19	132166	TAG/RIP CORD		1		
20	132294	RING		1		
21	170-35072	Gas Spring, ROPS		1		
22	192194	HOLDER/MANUAL		1		
23	210-19532	LN FL CTR 1/2 CGZY		2		
24	210-32133	NUT/TINNERMAN FLAT 1/4		3		
25	240331	ROPS Weldment/36/38/4240/20 26/41		1		
26	310-15859	Screw Mach Phil Truss Hd 1/4-20-3/4		8		
27	330-33763	Instrument Panel, Lh		1		
28	330-33772	SHIELD/HARNESS		1		
29	330-33773	Cover Heater Access		1		
30	330-33774	Cover, Seat Plate		1		
31	380-32407	Spring, Extension		1		
32	400-30803	FW 17/32 ZY		2		
33	420-34480	STRIP/LOCKING		1		
34	420-36120	Window Rear, ROPS		1		
35	420-36133	SEAL/WINDOW		1		
36	420-36142	FOAM/HEADLINER		1		

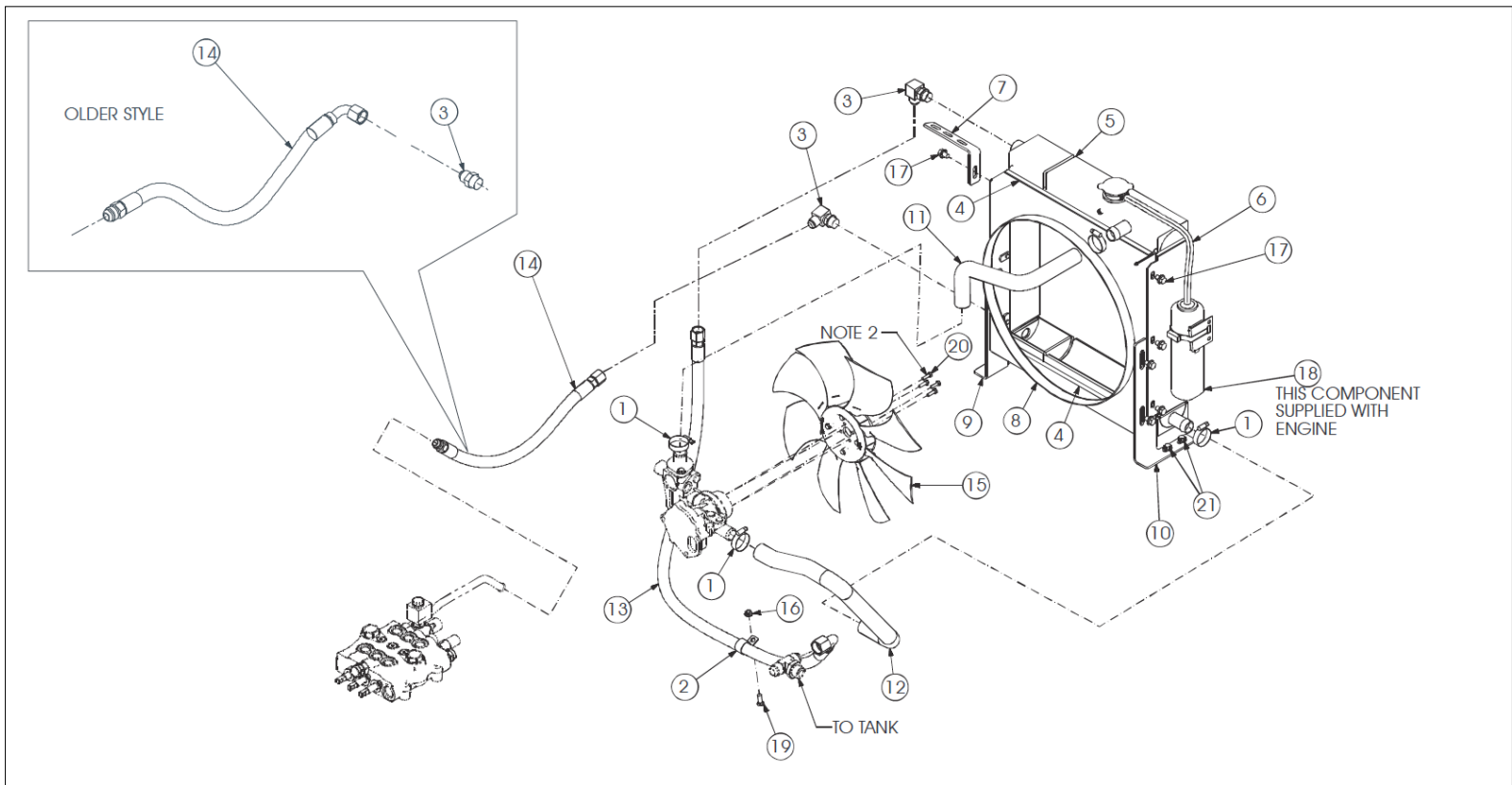
Item	Part No.	Name	Characteristics	Qty	Superseded PartNumber	Machine applicability
1	137836	LN SER FL M8-1.25 C10 ZY DIN196		4		
2	184016	SEAT/SUSPENSION		1		
2	184022	Susp/Switch/Harness		1		
2	184036	Latching/ Adjustment Bar		1		
2	50354106	Hanger Knob & Tension Shaft Assy		1		

Item	Part No.	Name	Characteristics	Qty	Superseded PartNumber	Machine applicability
1	030-31956	BOLT/HUB 1/2 X 1-9/16		12		
2	44204	CONE/BEARING		8		
3	44205	CUP/BEARING		8		
4	080-32287	ASSY/ROLLER CHAIN 80K 52 PITCHES (INCLUDES MASTER LINK)		2		
4	500195	LINK/CONNECTING 80K		2		
5	080-32288	ASSY/ROLLER CHAIN 80K 66 PITCHES		2		
5	500195	LINK/CONNECTING 80K		2		
6	131140	SEAL/2.25 X 3.35		4		
7	160-32898	PLATE/MOTOR MOUNT		2		
8	190333	ASSY/AXLE AND LUG BOLT		4		
8	030-20745	BOLT/WHEEL 9/16 X 1-7/8		8		
9	210-20746	NUT/WHEEL BOLT 9/16		32		
10	210-32154	NUT/HEX TOP LOCK 1/2		12		
11	350-17647	O-RING		12		
12	350-32578	RING/SNAP INTERNAL		2		
13	370-32200	SPROCKET/AXLE		4		
14	370-32202	SPROCKET/MOTOR 80-C- 11		2		
15	400-32535	WASHER/SPECIAL		4		
16	400-32562	WASHER/BACKING		2		
17	651160	PIN/COTTER 5/32 X 1-1/2		4		
18	651297	SCREW/CAP 3/8 X 1		2		
19	653102	NUT/HEX SLOTTED 7/8		4		

SECTION A: MAIN LOADER COMPONENT



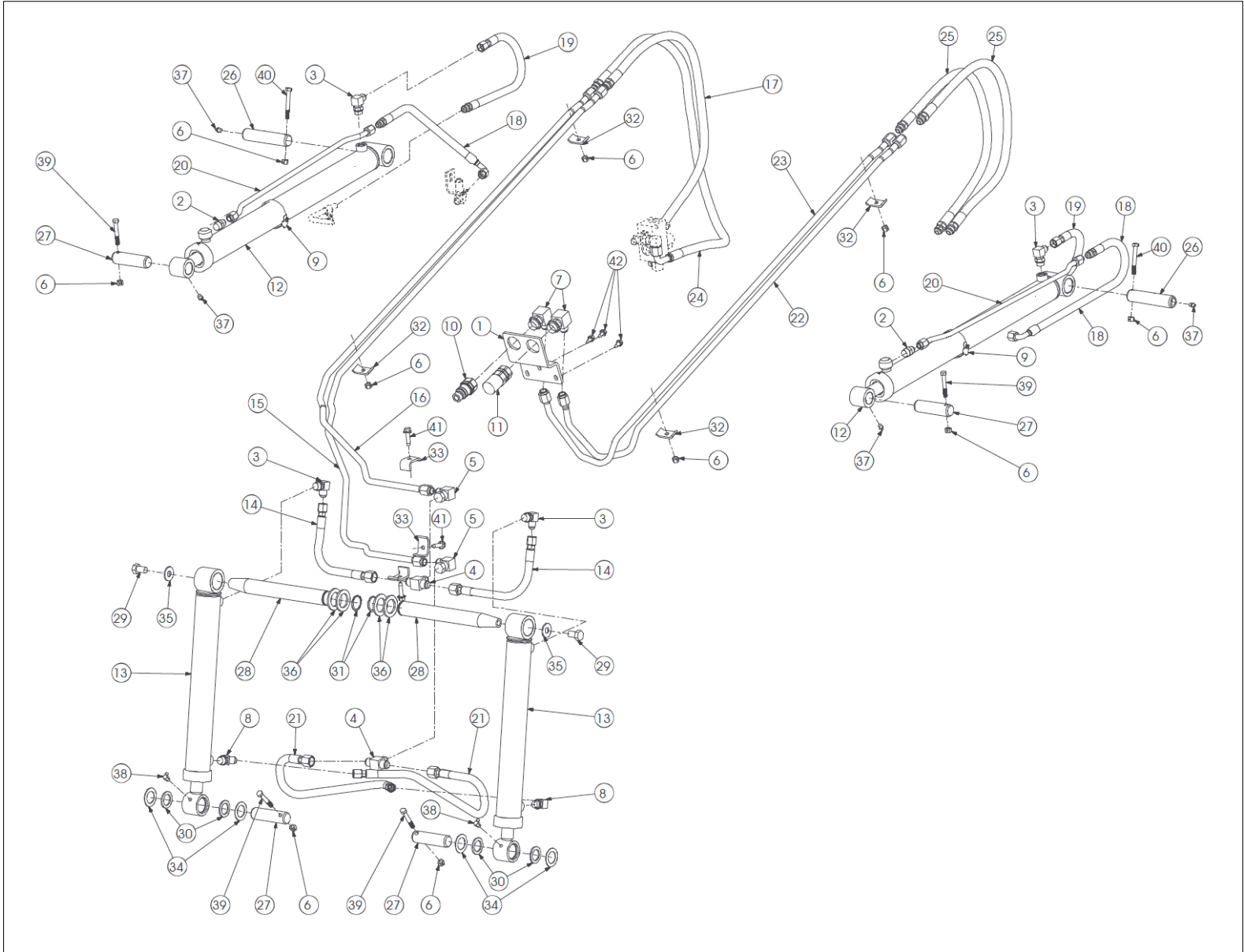
SECTION A: MAIN LOADER COMPONENT



Item	Part No.	Name	Characteristics	Qty	Superseded PartNumber	Machine applicability
1	040-33757	Bracket, Neutral Centering		2		
2	040-33758	Plate, Neutral Adjust		2		
3	045-31499	Hub, Neutral Spring Mount		4		
4	070856	LN LG FL SERR 3/8 CZ		2		
5	071703	LN CTR 3/8 CBZY		2		
6	134852	LN FL SPIRALOCK 3/8 CZY		2		
7	134792	ROD END/ELASTOMERIC 3/8		2		
8	190865	Pump Arm/Weldment		2		
9	191344	Rod/Control RH		1		
10	191345	Rod/Control LH		1		
11	192806	Centering Bracket Assembly		2		
11	040-33756	MOUNT/NEUTRAL SPRING		2		
12	200-32668	Turnbuckle		2		
13	200-32691	Retainer, Pump Arm		2		
14	210-31017	LN FL CTR 5/16 CFZY		10		
15	210-32134	NUT/HEX 3/8 LEFT THREAD		2		
16	310-29166	CS FL LOCK 3/8x1-3/4 C5ZY		2		
17	380-32425	Spring, Torsion 3 Coils		2		
17	380-32424	Spring, Torsion 4 Coils		2		
18	650487	CS 5/16x1 C5ZY		4		
19	650552	HN 3/8 F2ZY		4		
20	650573	CB 5/16x1 C5ZY		10		
21	650579	CS 3/8x1-3/4 C5ZY		2		
22	072871	CS 3/8X2 C5ZY SP		2		
23	650978	CS 3/8x1-3/4 C8		4		
24	654004	FW 5/16 AWZY		2		

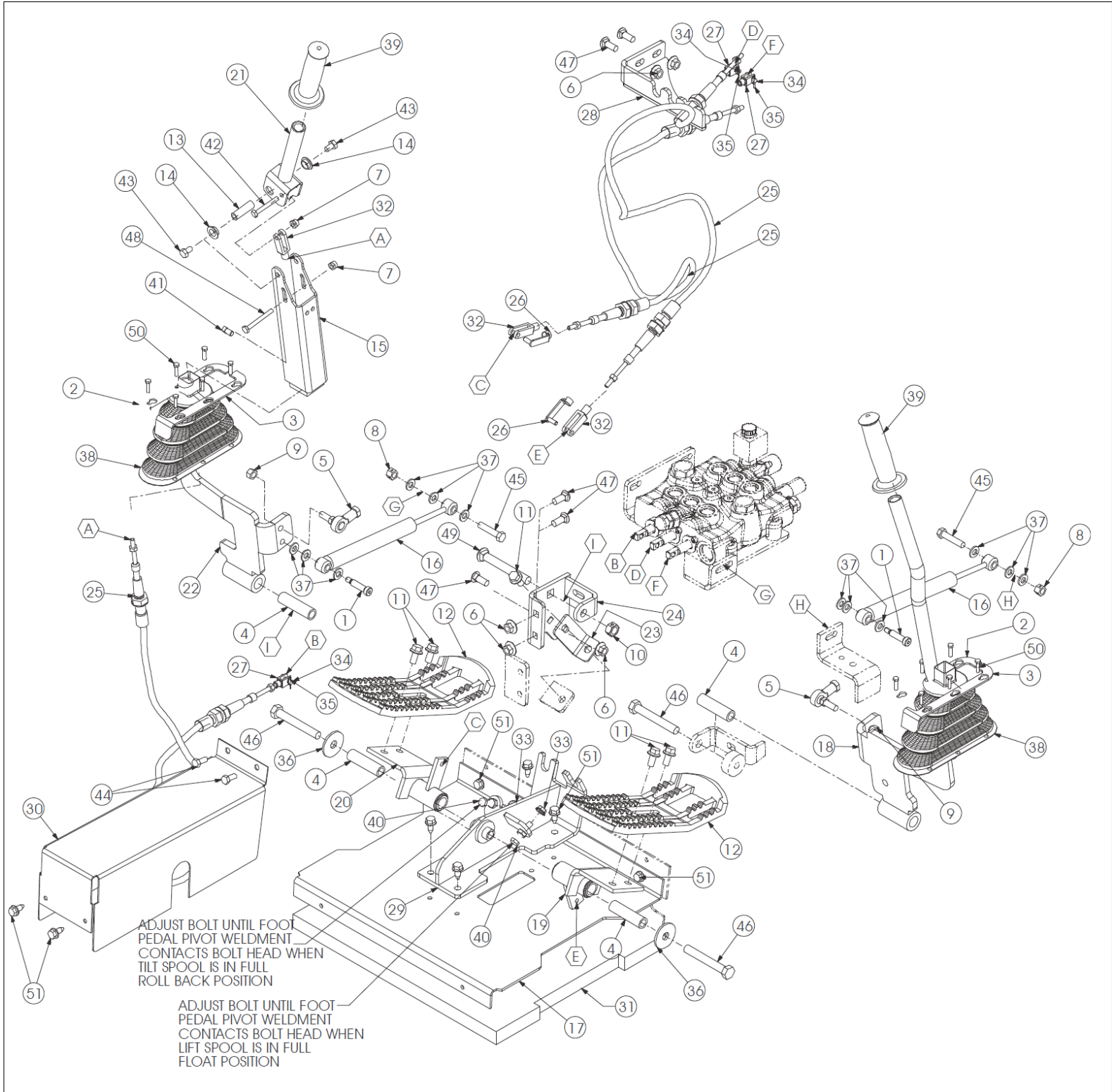
Item	Part No.	Name	Characteristics	Qty	Superseded PartNumber	Machine applicability
1	065415	90 MJ10-FJS10		1		
2	067761	90 MJ10-MAORB10		1		
3	210-31017	LN FL CTR 5/16 CFZY		2		
4	072580	ST MJ10-MORB10		1		
5	072807	Tee RUN MJ10-MAORB10-MJ10		1		
6	121387	TEE RUN MJ08-MAORB10-MJ08		1		
7	135367	Self Level Valve		1		
8	191454	TUBE/SELF-LEVEL/BOTTOM		1		
9	191460	TUBE/CONTROL VALVE/LIFT		1		
10	191461	TUBE/LIFT		1		
11	652040	CB 5/16x2-1/2 C5ZY		2		

SECTION A: MAIN LOADER COMPONENT



Item	Part No.	Name	Characteristics	Qty	Superseded PartNumber	Machine applicability
1	010-32440	Bearing, Flange Mount		3		
2	010-32441	Bearing, Flange Mount		2		
3	030-31827	SCREW/SHOULDER 3/8X3/8 8ZY		1		
4	040-33728	Boot Cover, R.H.		2		
5	040-33748	Boot Cover L.H.		2		
6	045-31440	Bushing, Super Oilite		1		
7	045-31469	Bushing, Oilite		2		
8	045-31488	Bushing, Oilite Flanged		2		
9	054202	BALL JOINT		8		
10	054885	BALL/JOINT ASSY		1		
11	056937	FW 25/32 ZY		4		
12	070856	LN LG FL SERR 3/8 CZ		6		
13	071700	LN 1/4 CBZY		6		
14	071703	LN CTR 3/8 CBZY		9		
15	071704	LN 3/8 FBZ		8		
16	071706	NUT/LOCK 1/2		1		
17	072871	CS 3/8X2 C5ZY SP		2		
18	076588	CS FL LOCK 3/8x3/4 C5ZY		1		
19	076590	SCREW/CAP LOCKING 1/2 X 1		2		
20	081374	LN SER FL 1/2 CZY		1		
21	081380	CS FL LOCK 5/16X3/4 C5ZY		4		
22	088912	FW 13/32 ZY		2		
23	090-32042	Cable, Throttle		1		
24	090-32513	PEDAL/THROTTLE		1		
25	090-32519	Drive Control Weldment		1		
26	090-32528	MOUNT/BRACKET CABLE		1		
27	090666	LN FL SERR 3/8 CZY		1		
28	121002	HLN INST 1/4 FZY		1		
29	128316	BEARING/BRONZE		2		
30	131842	LN FL SPIRALOCK 5/16 CZY		2		
31	134241	SPACER/PIVOT		1		
32	134327	T-Bar Stop		1		
33	134757	Centering Device		2		
34	134852	LN FL SPIRALOCK 3/8 CZY		3		
35	134853	LN FL SPIRALOCK 1/2 CZY		2		
36	134888	Steering Arm L.H.		1		

SECTION A: MAIN LOADER COMPONENT



Item	Part No.	Name	Characteristics	Qty	Superseded PartNumber	Machine applicability
1	030-31873	BOLT/CARRIAGE 5/16 X 9-1/2		1		
2	040-33432	Stop, Battery Holddown		1		
3	054985	CABLE/BATTERY		1		
4	055648	TIE/CABLE .19 x 7.50 BLACK		7		
5	070856	LN LG FL SERR 3/8 CZ		1		
6	071701	LN 5/16 CBZY		2		
7	072343	FUEL SENDER GASKET		1		
8	075028	Cable/Battery		1		
9	076589	CS FL LOCK 3/8x1 C5ZY		1		
10	090-28749	Sender, Fuel		1		
11	NSS	BATTERY 12 V DC WET 675 CCA, GROUP 24, 115 RESERVE		1		
12	136226	Clamp/Hose .75 x .41 Hole		3		
13	189857	BRACKET/CIRCUIT BREAKER		1		
14	191872	HARNESS/CHASSIS		1		
15	210-19469	LN FL SERR 1/4 CZY		6		
16	210-19470	LN FL SERR 5/16 CZY		1		
17	210-19533	LN FL CTR 3/8 CFZY		1		
18	390-32773	Clamp, Battery		1		
19	420-34769	Cable, Battery, Positive		1		
20	420-35569	Circuit Breaker 35amp		1		
21	420-35602	Relay		4		
22	650687	CB 5/16x3/4 C5ZY		3		
23	650748	CB 1/4x5/8 C5ZY		6		
24	651650	HWHTRS Tap/R #1032x1/2 CZY		5		
25	654042	LW ExT T 3/8 AZY		3		
26	656006	CS M10-1.5X20 C8.8 ZY DIN933		1		

CLICK HERE TO **DOWNLOAD** THE COMPLETE MANUAL

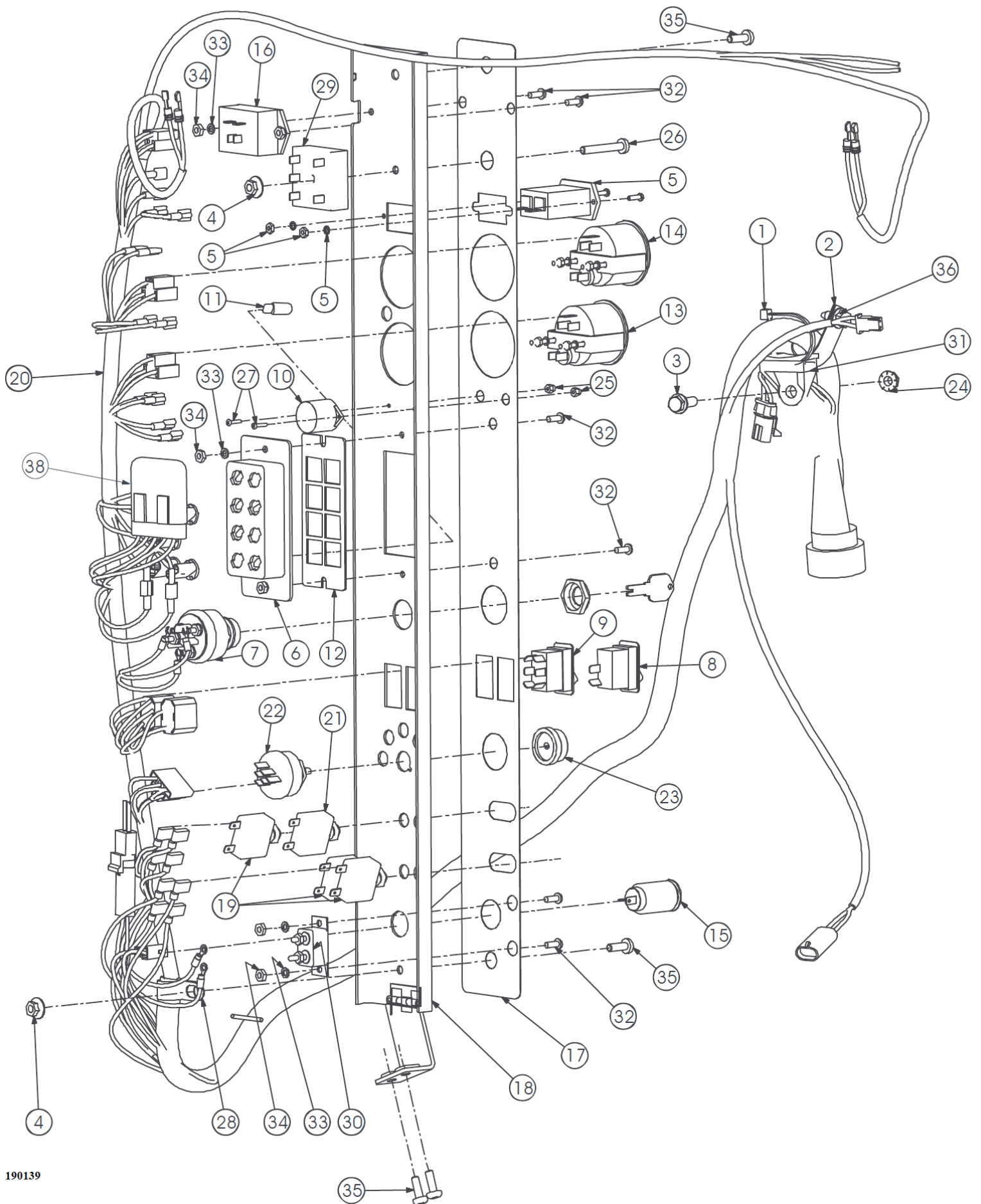
- Thank you very much for reading the preview of the manual.
- You can download the complete manual from: www.heydownloads.com by clicking the link below



- Please note: If there is no response to CLICKING the link, please download this PDF first and then click on it.

CLICK HERE TO **DOWNLOAD** THE COMPLETE MANUAL

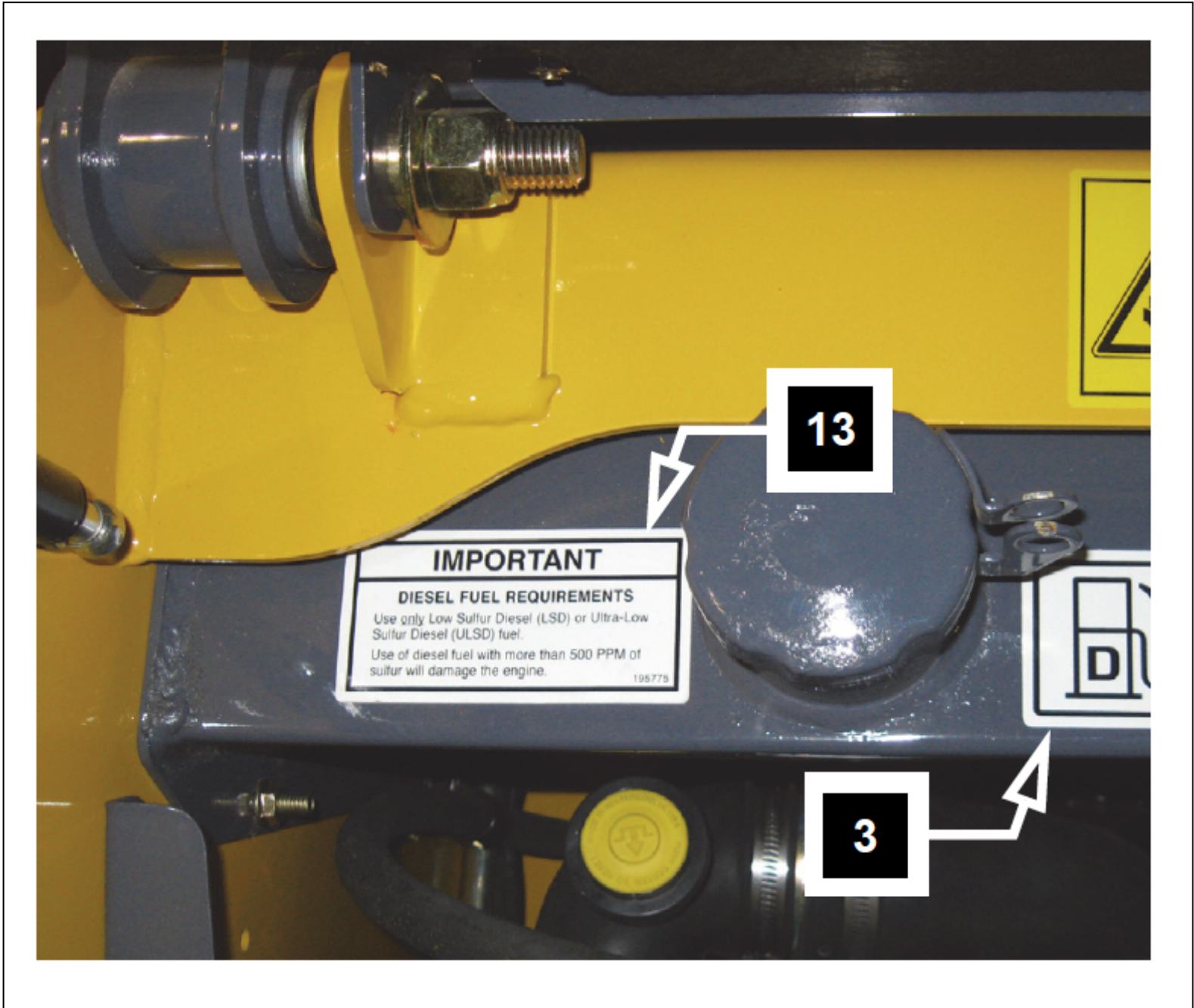
SECTION A: MAIN LOADER COMPONENT



190139

Item	Part No.	Name	Characteristics	Qty	Superseded PartNumber	Machine applicability
1	490-33460	ASSY/WHEEL 10 X 16.5 6-PLY STANDARD DUTY		1		
1	183759	WHEEL 16.5 X 8.25		1		
1	N/A	TIRE/HEAVY DUTY 10 X 16.5 6-PLY TUBELESS		1		
1	128507	VALVE STEM SHORT		1		
1	490-33417	ASSY/WHEEL 10 X 16.5 HEAVY DUTY 8-PLY FLOTATION		1		
1	183759	WHEEL 16.5 X 8.25		1		
1	N/A	TIRE/HEAVY DUTY 10 X 16.5 8-PLY		1		
1	128507	VALVE STEM SHORT		1		
1	810703	ASSY/WHEEL 10 X 16.5 HEAVY DUTY 8-PLY HEAVY RIM		1		
1	190476	WHEEL 16.5 X 8.25 HEAVY		1		
1	N/A	TIRE/HEAVY DUTY 10 X 16.5		-		
2	810906	ASSY/WHEEL 10 X 27.50		1		
2	490-33428	ASSY/WHEEL 6.50 X 16 SOLID RUBBER		1		
2	490-33127	ASSY/WHEEL 6.50 X 16 SOLID RUBBER		1		
2	810869	ASSY/WHEEL SOLID FLEX 10 X 16.5 LEFT		1		
2	810870	ASSY/WHEEL SOLD FLEX 10 X 16.5 RIGHT		1		

SECTION A: MAIN LOADER COMPONENT



Item	Part No.	Name	Characteristics	Qty	Superseded PartNumber	Machine applicability
Not Shown	193796	MOTOR/DRIVE TMT300		2		
Not Shown	250-32605	MOTOR/HYDRAULIC DRIVE W/ BRAKES		2	250-32605 a	
Not Shown	320-32693	SHAFT MODULE ASSEMBLY		1		
1	NSS	SHAFT/SPLINED		1		
2	NSS	FILTER/ORIFICE		1		
3	NSS	ASSEMBLY/BEARING		1		
4	NSS	NUT/BEARING		1		
4	160-32923	MOUNTING FLANGE MODULE ASSEMBLY		1		
5	NSS	MOUNTING FLANGE/BEARING HOUSING		1		
6	NSS	STOP RING/BEARING BRAKE		1		
7	NSS	SCREW M6 X 16MM		8		
8	NSS	PLUG/RELEASE PORT		1		
9	NSS	PLUG/RELEASE PORT		1		
10	NSS	SEAL/SHAFT 50MM X 72MM X 8MM		1		
11	NSS	O-RING 171.2MM X 2.62MM		1		
11	250-32610	BRAKE MODULE ASSEMBLY		1		
12	NSS	WASHER/BELLEVILLE		1		
13	NSS	Piston		1		
14	NSS	DISC/OUTER		6		
15	NSS	DISC/INNER		5		
16	NSS	O-RING 135MM X 3MM		1		
17	NSS	SEAL/SHAFT 50MM X 72MM X 8MM		1		
18	NSS	RING/SNAP		1		
18	160-32924	MOTOR FLANGE MODULE ASSEMBLY		1		
19	NSS	FLANGE/MOTOR		1		
20	NSS	PLUG/DRAIN PORT		1		
21	NSS	SCREW M10 X 40MM		8		
22	NSS	O-RING 125MM X 2MM		1		
22	140-32272	GEAR SET MODULE ASSEMBLY		1		
22	NSS	O-RING 125MM X 2MM		1		
23	NSS	SET/GEAR		1		
24	NSS	SHAFT/CARDAN		1		
24	310-32691	BOLT MODULE ASSEMBLY		1		

Item	Part No.	Name	Characteristics	Qty	Superseded PartNumber	Machine applicability
Not Shown	135367	Self Level Valve		1		
1	350-27299	RING		1		
2	NSS	BODY		1		
3	NSS	SPOOL		1		
4	NSS	SPOOL		1		
5	080808	PIN		1		
6	a	COVER		1		
7	080809	CAP		1		
8	a	O-RING		1		
9	080810	NUT		1		
11	a	O-RING		1		
12	080811	SET SCREW		1		
13	129004	PLUG ASSEMBLY		1		
14	080813	PLUG ASSEMBLY		2		
15	089961	SPRING		1		
16	088473	LOAD CHECK		2		
17	088472	PLUG ASSEMBLY		2		
18	088471	SPRING		2		
Not Shown	129066	SELF LEVELING SEAL KIT		1		

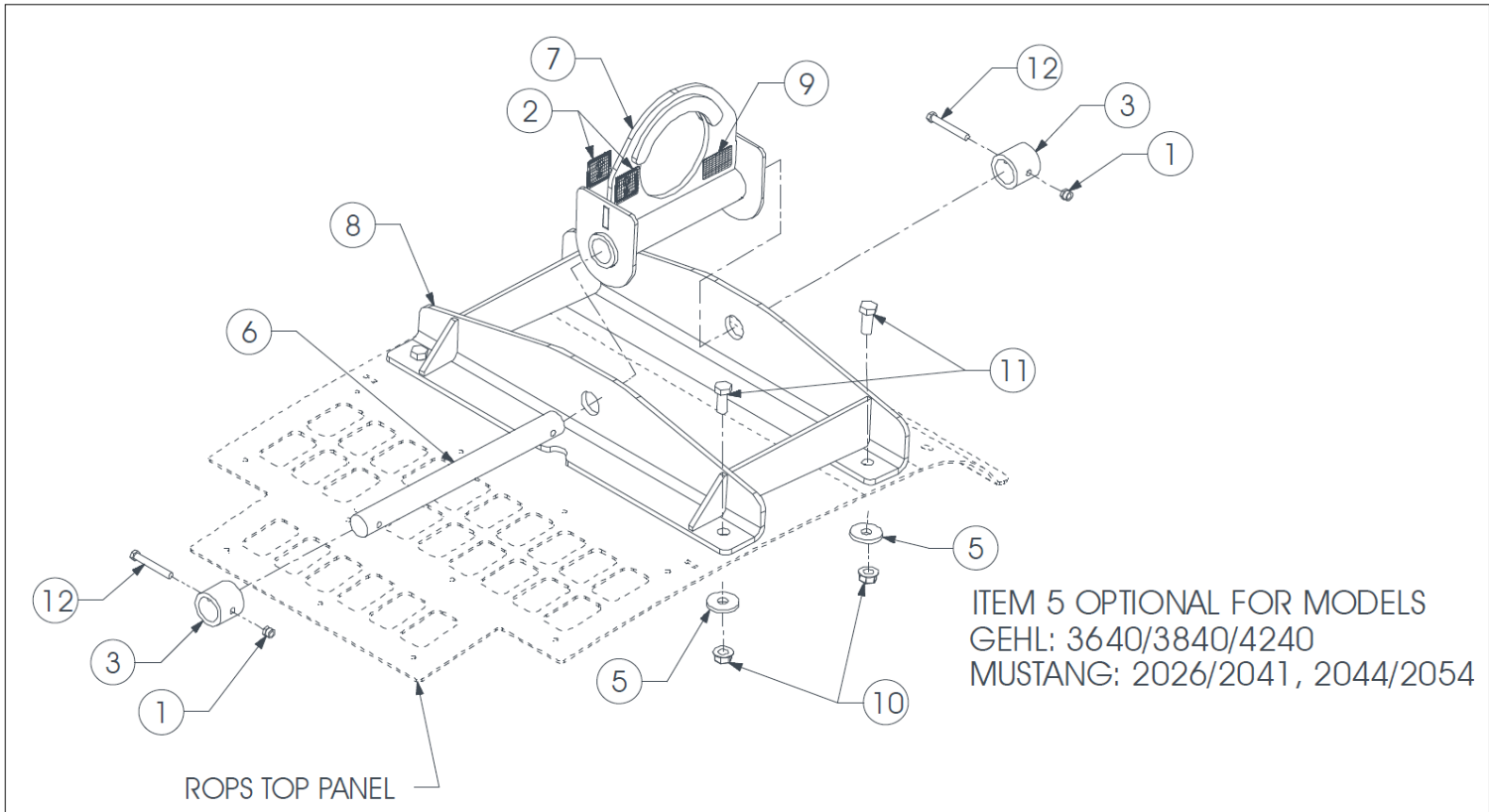
Item	Part No.	Name	Characteristics	Qty	Superseded PartNumber	Machine applicability
Not Shown	810709	KIT/SELF-LEVELING VALVE				
1	054626	ST MJ08-MORB08		1		
2	071701	LN 5/16 CBZY		2		
3	076031	90 MJ08-MAORB10		1		
4	088935	TEE MJ08-MJ08-FJS08		1		
5	089099	ST MJ08-MORB10		2		
6	135367	Self Level Valve		1		
7	189459	TUBE/CONTROL VALVE/LIFT		1		
8	189719	TUBE/SELF-LEVEL TOP		1		
9	189720	TUBE/SELF-LEVEL BOTTOM		1		
10	230-32754	ADAPTER/SWIVEL 7/8 - 3/4		1		
11	652040	CB 5/16x2-1/2 C5ZY		2		
Not Shown	NSS	TEE/BULKHEAD 1		1		

Item	Part No.	Name	Characteristics	Qty	Superseded PartNumber	Machine applicability
Not Shown	806274	KIT/HORN				
1	420-19111	HORN		1		
2	081380	CS FL LOCK 5/16X3/4 C5ZY		1		
3	210-19470	LN FL SERR 5/16 CZY		1		
4	420-35703	Wire Harness, Horn		1		
5	420-36175	Horn Button And Wire Assy		1		
6	420-34463	Wire Jumper		1		
Not Shown	055648	TIE/CABLE .19 x 7.50 BLACK		6		
8	651087	LW INT T 3/8 AZY		1		
9	045-31501	Adaptor, Horn Button		1		

SPARE PARTS LISTING

420-36177	ASSY/WINDOW LEFT
50250097	LATCH (one screw)
50250045	REAR LH SLIDE GLASS PANEL W/SEAL
50250046	FRONT LH SLIDE GLASS PANEL W/SEAL
50250090	KNOB/ANTI-RATTLER
420-36178	ASSY/WINDOW RH
50250097	LATCH (one screw)
50250043	FRONT RH SLIDE GLASS PANEL W/SEAL
50250044	REAR RH SLIDE GLASS PANEL W/SEAL
50250090	KNOB/ANTI-RATTLER

SECTION C: FILTER LISTING, KITS AND ACCESSORIES



Item	Part No.	Name	Characteristics	Qty	Superseded PartNumber	Machine applicability
1	184892	Bracket/Seat Belt		-		
2	137836	LN SER FL M8-1.25 C10 ZY DIN196		4		
3	184017	Seat/Standard		-		
3	184016	SEAT/SUSPENSION		1		
4	650630	CS 7/16x1 F5ZY		-		
5	654046	FW 7/16 AWZY		-		

Item	Part No.	Name	Characteristics	Qty	Superseded PartNumber	Machine applicability
Not Shown	192635	KIT/SOUND 2026		1		
1	087849	CLAMP/HOSE #52		1		
2	134792	ROD END/ELASTOMERIC 3/8		2		
3	191909	Foam Pad/Sound		3		
4	191913	PAD/SOUND TOWER LEFT		1		
5	192625	FOAM/FOOT PLATE		1		
Not Shown	192695	Foam/Foot Plate/H&F		1		
6	192627	Sound Barrier/Fuel Tank		1		
7	192848	SOUND DIFFUSER		1		
8	650579	CS 3/8x1-3/4 C5ZY		2		
9	654004	FW 5/16 AWZY		2		

Item	Part No.	Name	Characteristics	Qty	Superseded PartNumber	Machine applicability
Not Shown	811659	KIT/WIPER/REAR				
Not Shown	055648	TIE/CABLE .19 x 7.50 BLACK		2		
2	084175	HLN INST #1024 CZY		3		
3	197908	Spacer/.25 In		5		
4	197917	Window/Rear/Wiper		1		
5	197918	Mount/Wiper Motor		1		
6	N/A	KIT/WIPER/REAR		1		
Not Shown	197935	Harness/Door Rear Wiper		1		
Not Shown	197936	Harness/Wiper/Rear		1		
9	197939	Grommet .625 x .25		1		
10	420-34480	STRIP/LOCKING		1		
11	420-36323	Grommet .19ID .250GW .31GD		3		
12	650637	RHMS SLT #1024x1-3/4 CZY		2		
13	651044	LW ExT T #10 AZY		1		
14	651302	FW #10 BWZY		6		
15	651814	BHSCS #1024x1-1/4 C8 OCG		3		
Not Shown	50350260	Switch/Wiper Dual Cntrl		1		

CLICK HERE TO **DOWNLOAD** THE COMPLETE MANUAL

- Thank you very much for reading the preview of the manual.
- You can download the complete manual from: www.heydownloads.com by clicking the link below



- Please note: If there is no response to CLICKING the link, please download this PDF first and then click on it.

CLICK HERE TO **DOWNLOAD** THE COMPLETE MANUAL