



**1500R NXT2**  
**1500R NXT2 (EU)**  
**1500R NXT2 X-SERIES**

Compact Skid Loader  
**Part's Manual**

50950516 Rev. A 04/20



CLICK HERE TO **DOWNLOAD** THE COMPLETE MANUAL

- Thank you very much for reading the preview of the manual.
- You can download the complete manual from: [www.heydownloads.com](http://www.heydownloads.com) by clicking the link below

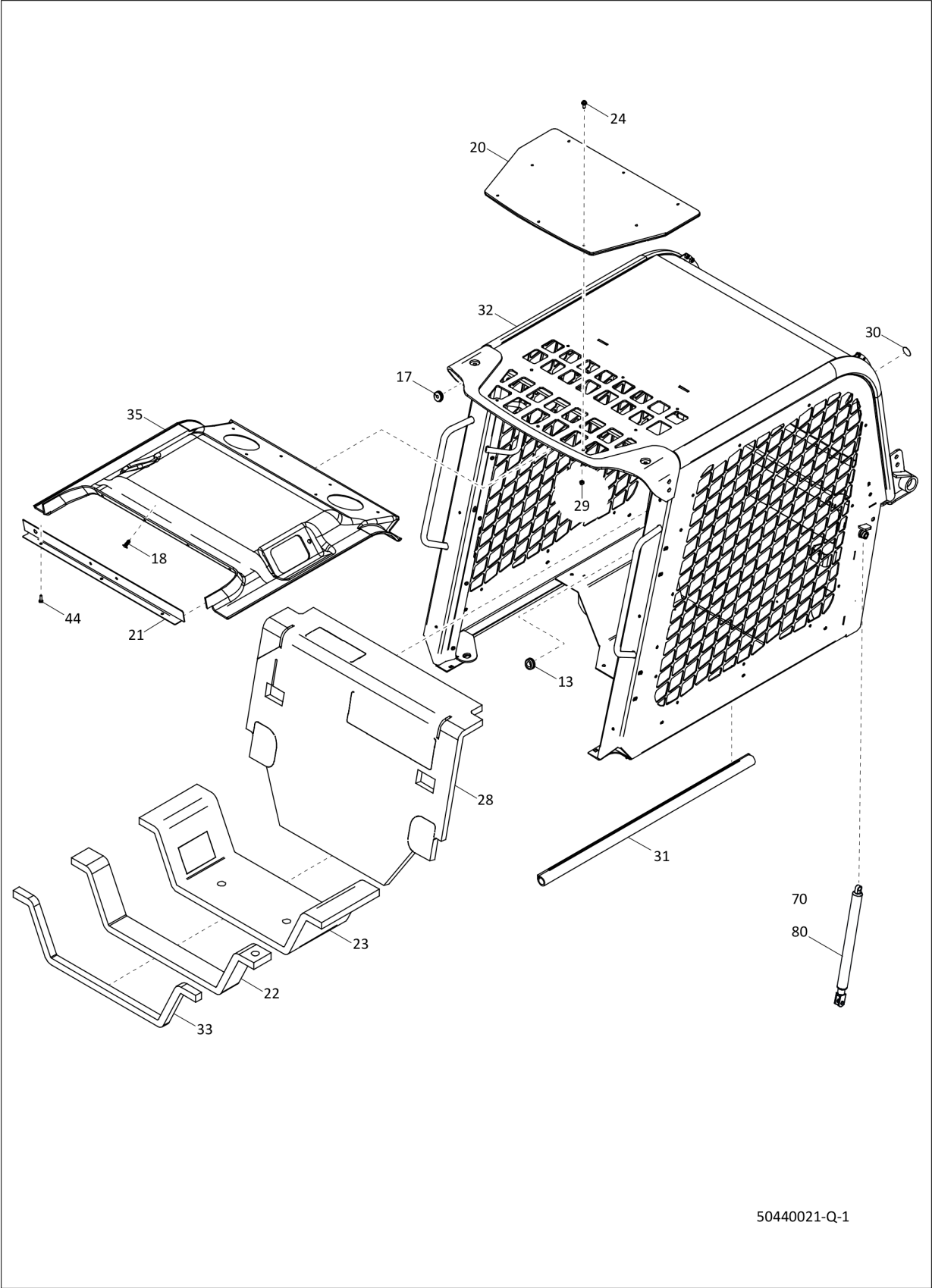


- Please note: If there is no response to CLICKING the link, please download this PDF first and then click on it.

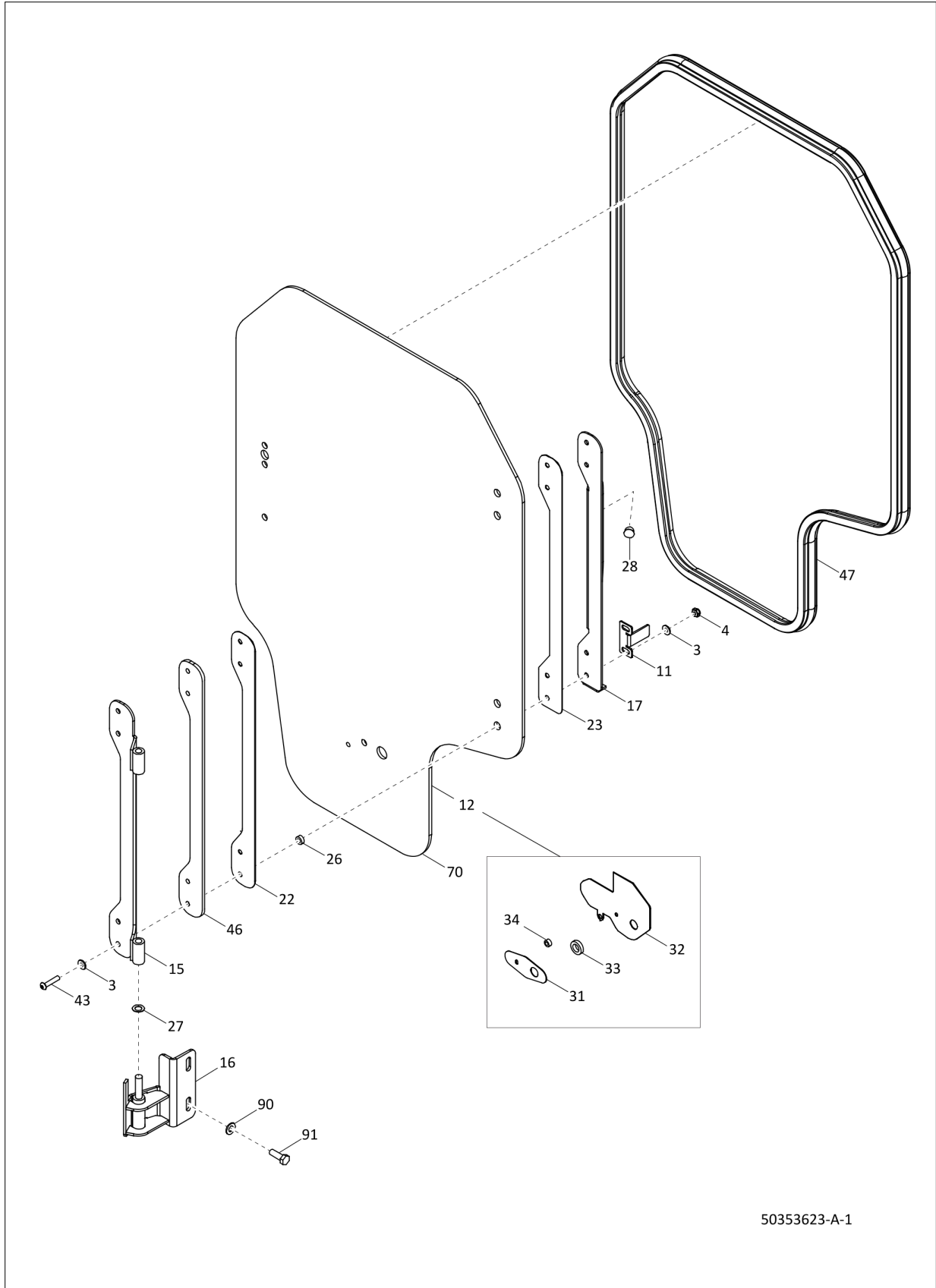
CLICK HERE TO **DOWNLOAD** THE COMPLETE MANUAL





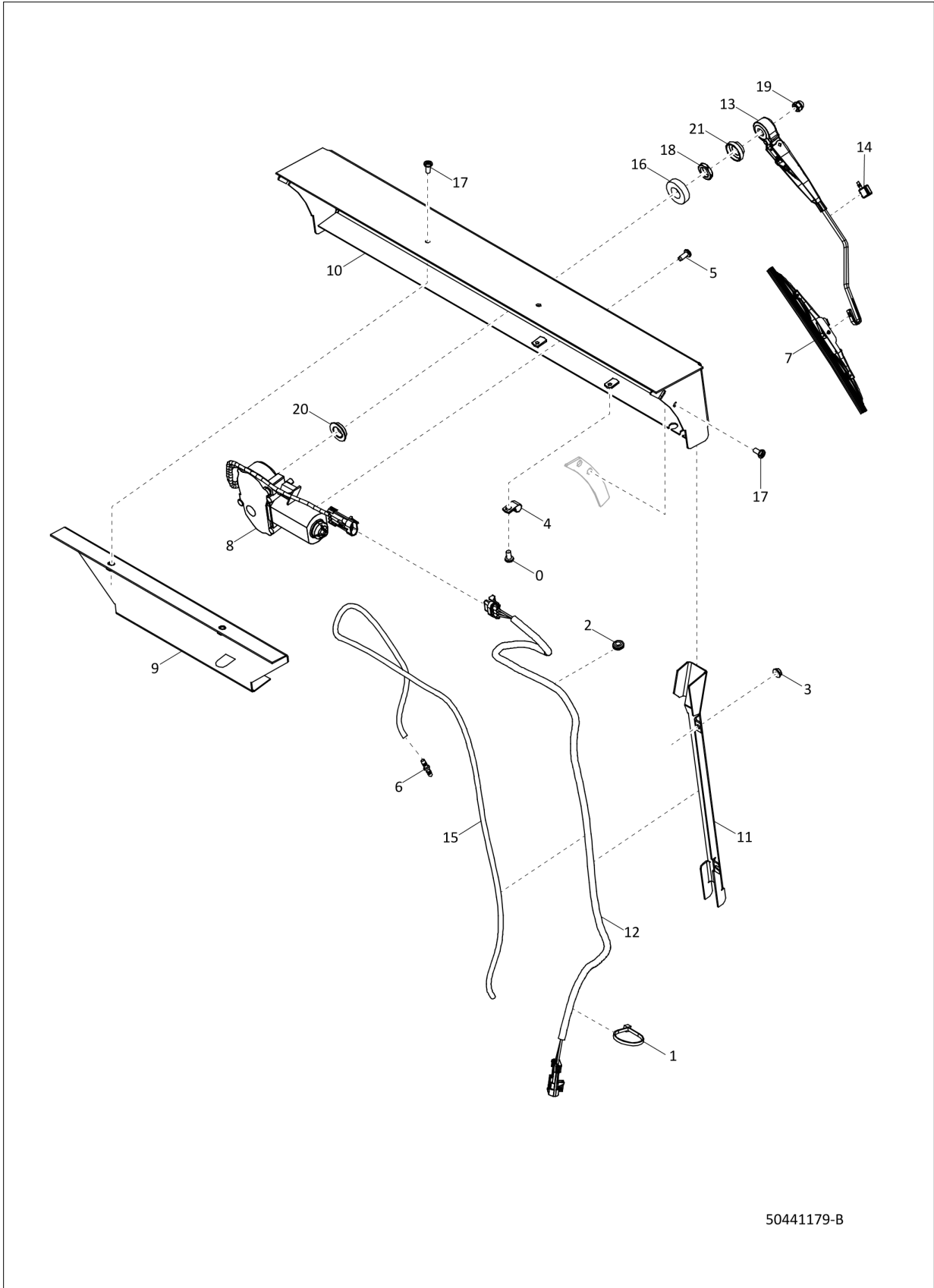


50440021-Q-1



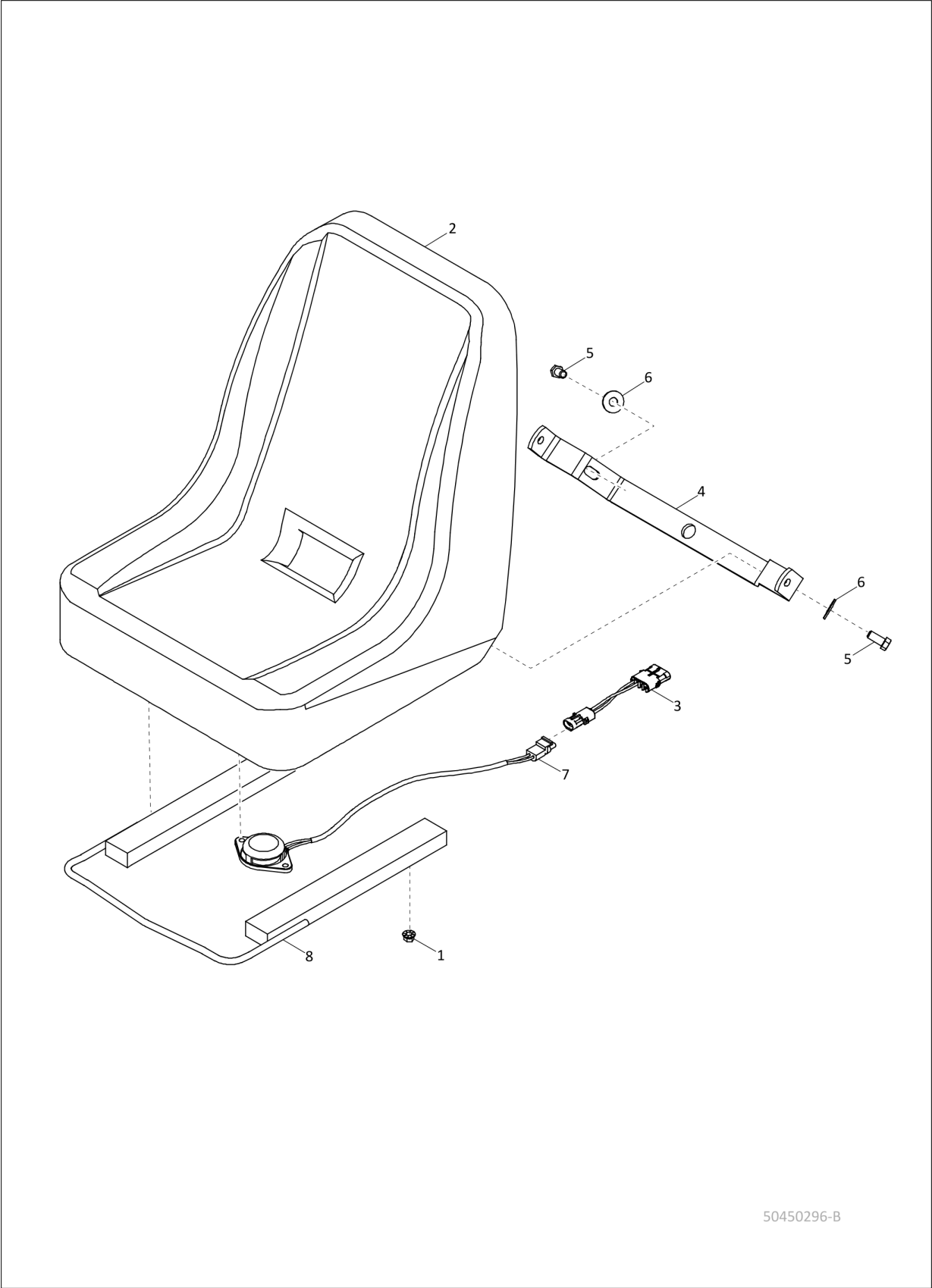
50353623-A-1

# WINDOWS Rear Window w/Wiper (Option)



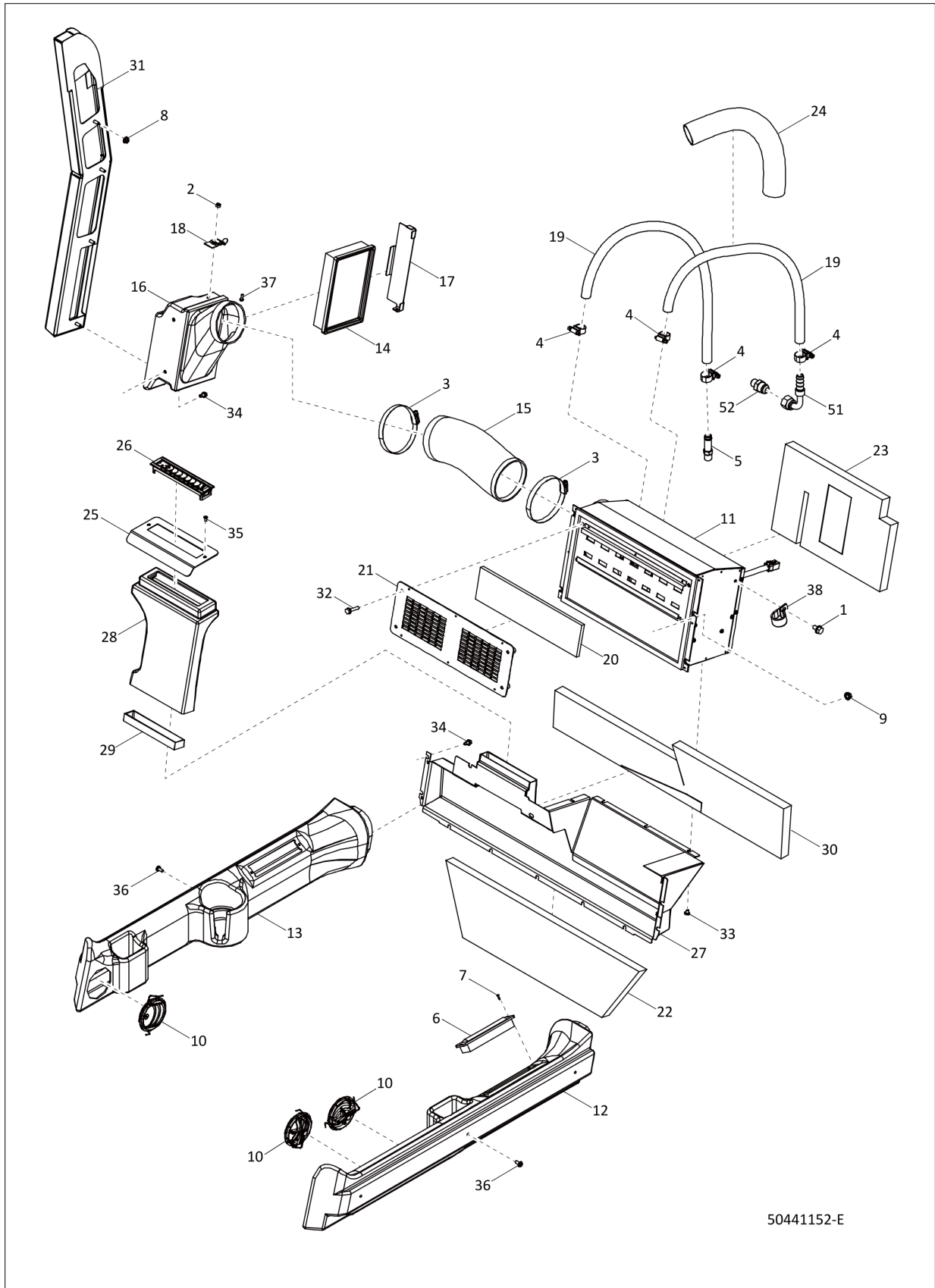
50441179-B

**INTERIOR** Seat (Standard)

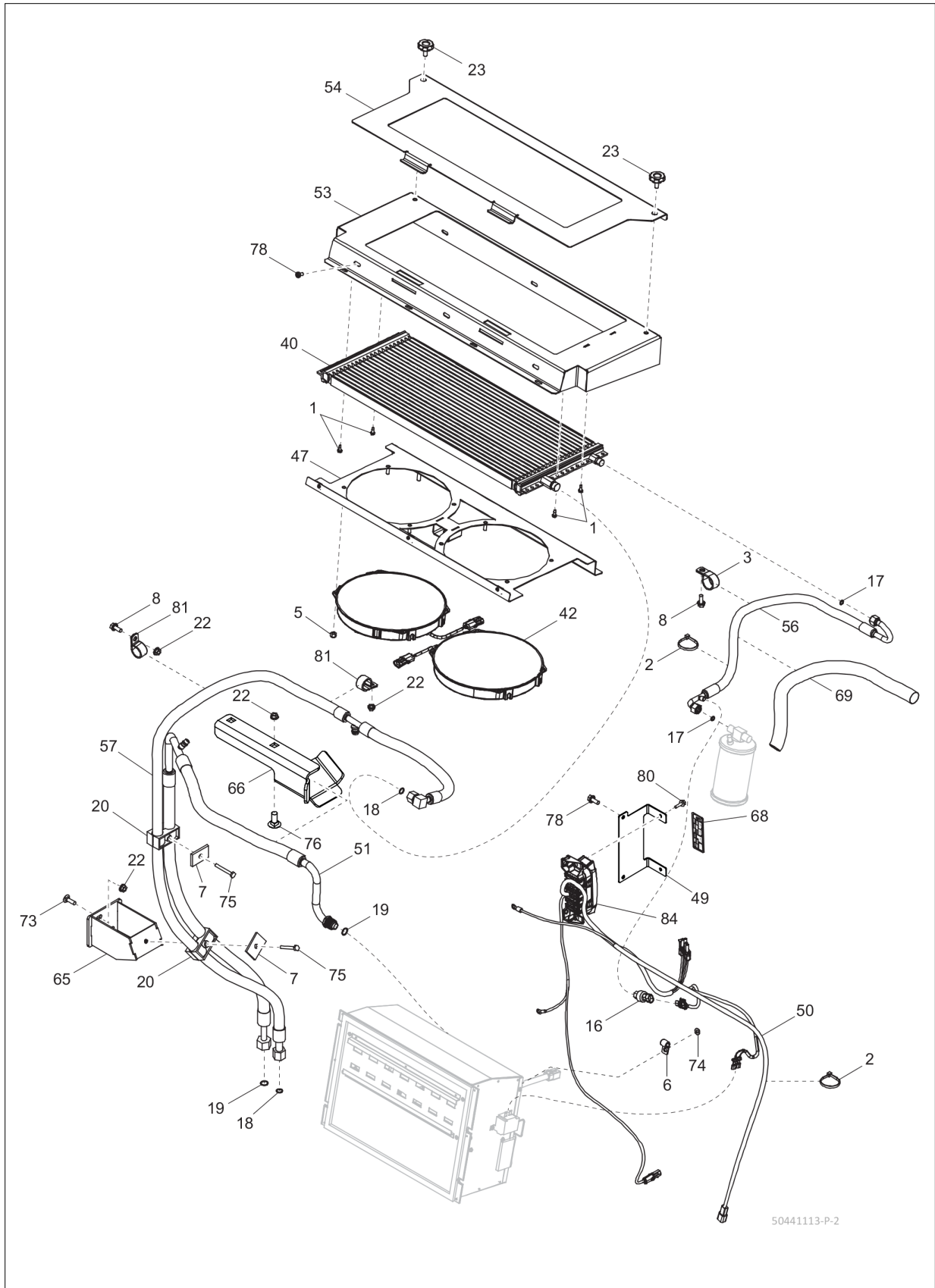


50450296-B

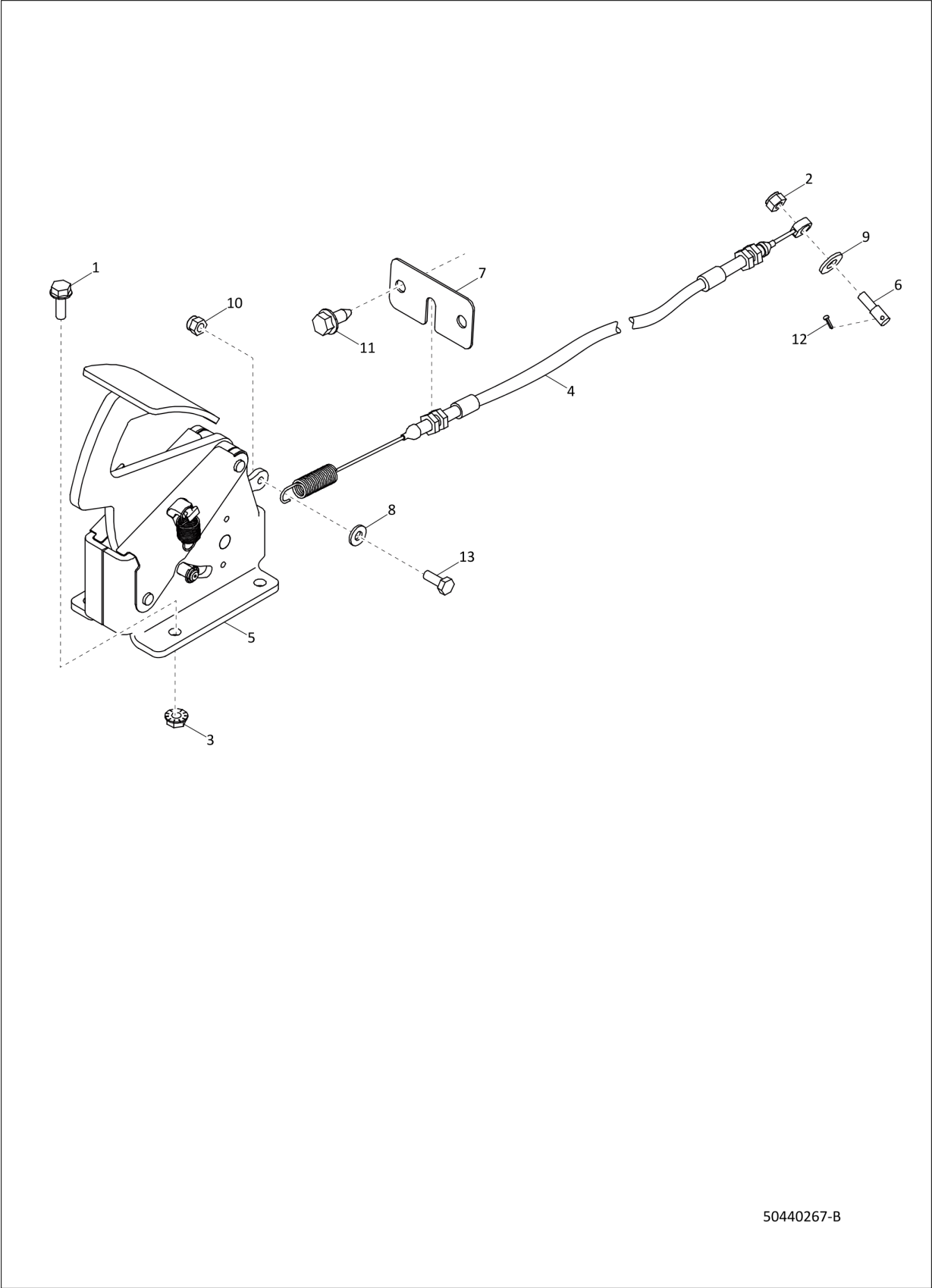
# HVAC Heater Group



50441152-E



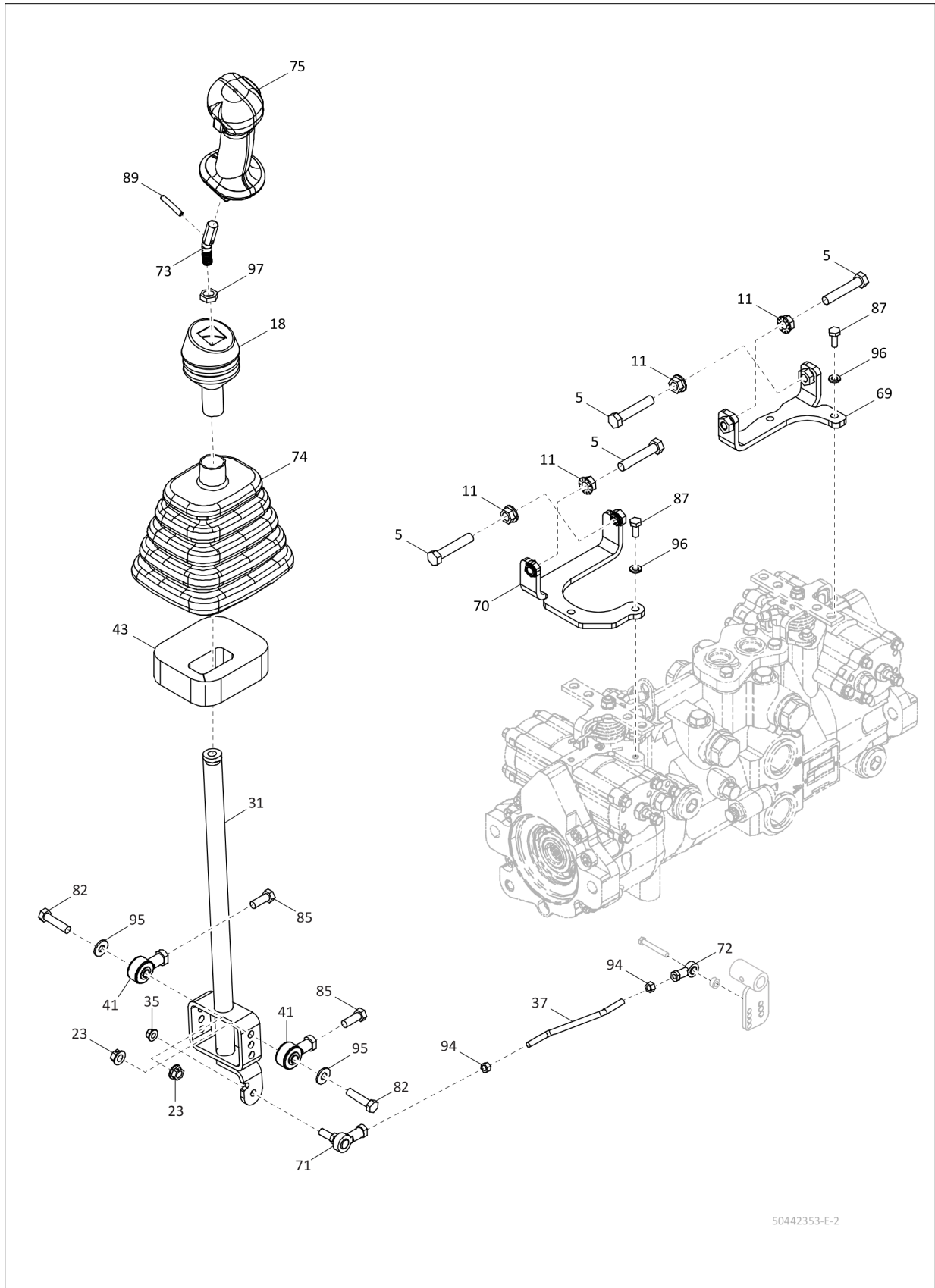
**CONTROLS** Foot Throttle (Mechanical)



50440267-B

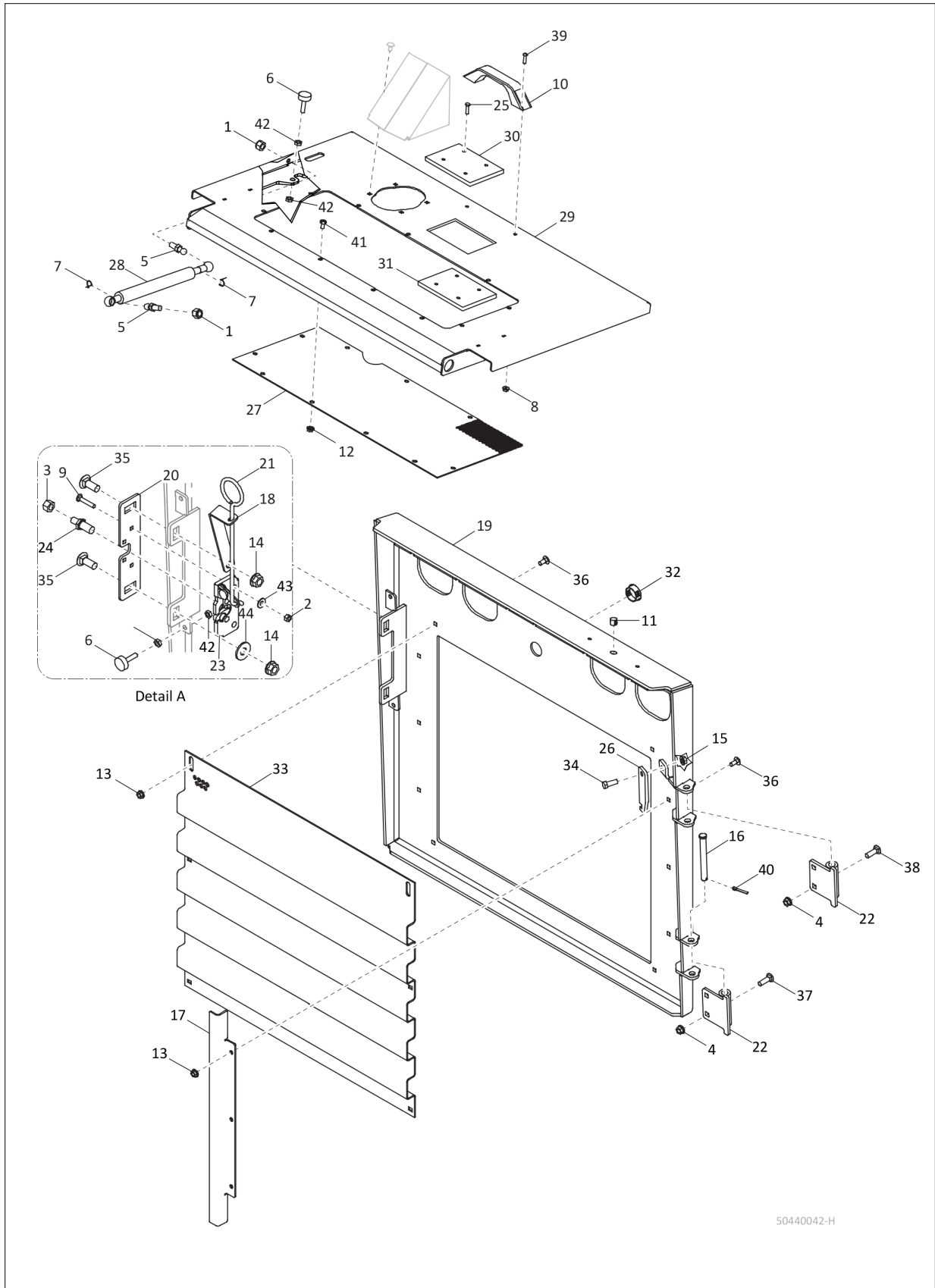
Item	Part No.	Name	Qty	Remarks
79	650687	CB 5/16x3/4 C5ZY	4	
80	651062	HN 5/16 F2Z	2	
81	651467	PIN/SPRING M5x30 ISO8750	1	
83	651711	LN FL CTR M8-1.25 C8 ZY DIN6927	2	
85	651739	BHSCS 3/8x3/4 C8 OCG	4	
87	654004	FW 5/16 AWZY	2	

# CONTROLS 50442353 Assembly Control Hand Foot Servo (2 of 4)



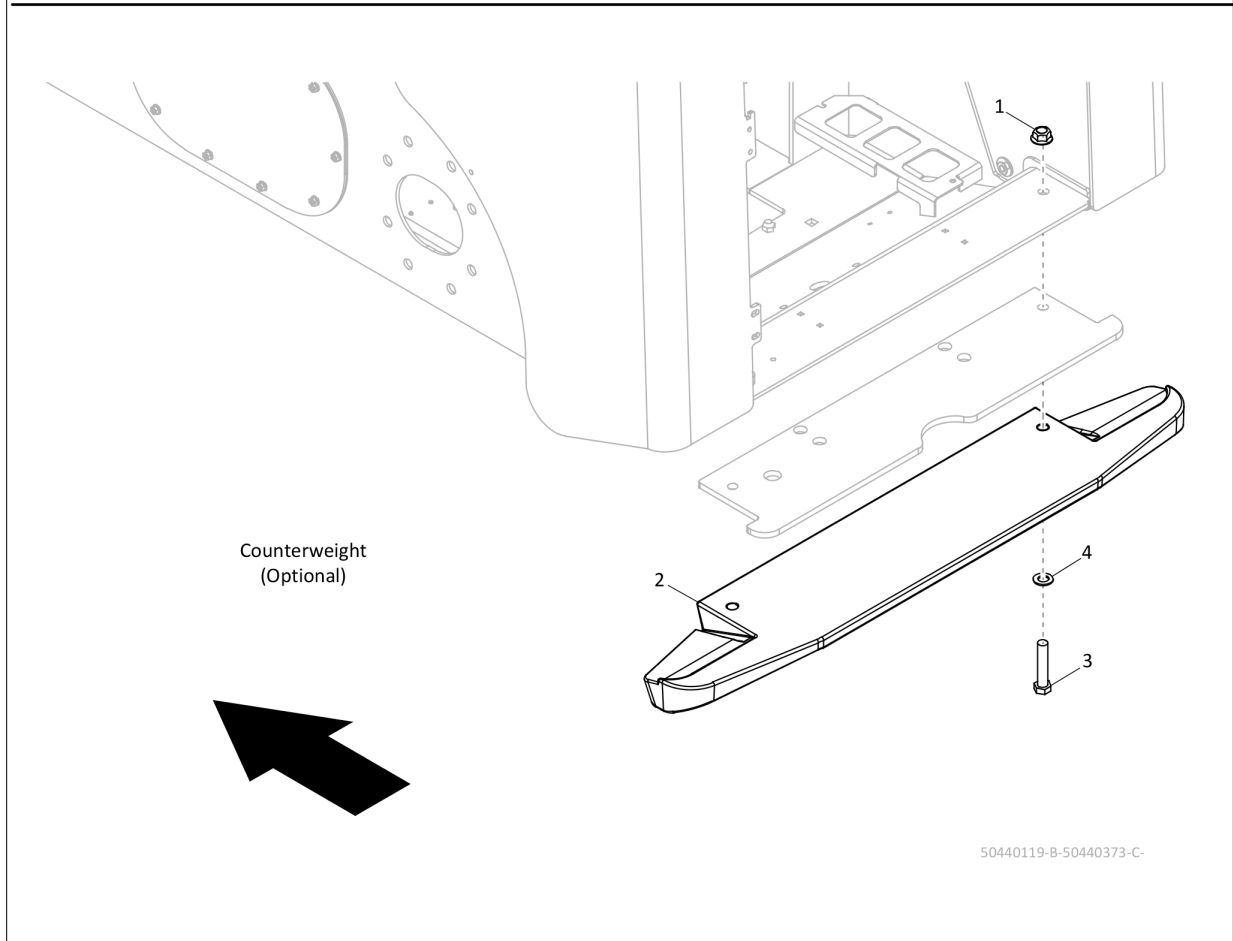
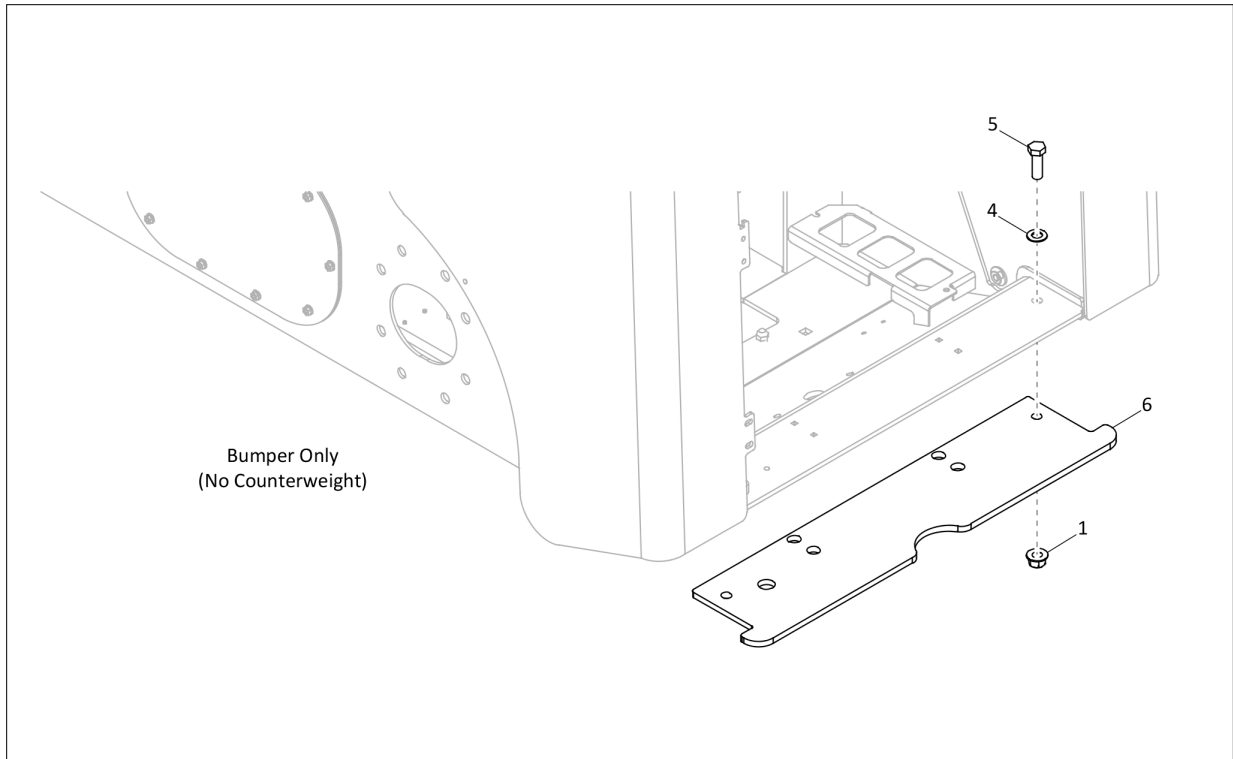
50442353-E-2

# CHASSIS 50440042 Assembly Door and Cover



50440042-H

# CHASSIS Counterweight/Non Counterweight Assemblies



50440119-B-50440373-C

CLICK HERE TO **DOWNLOAD** THE COMPLETE MANUAL

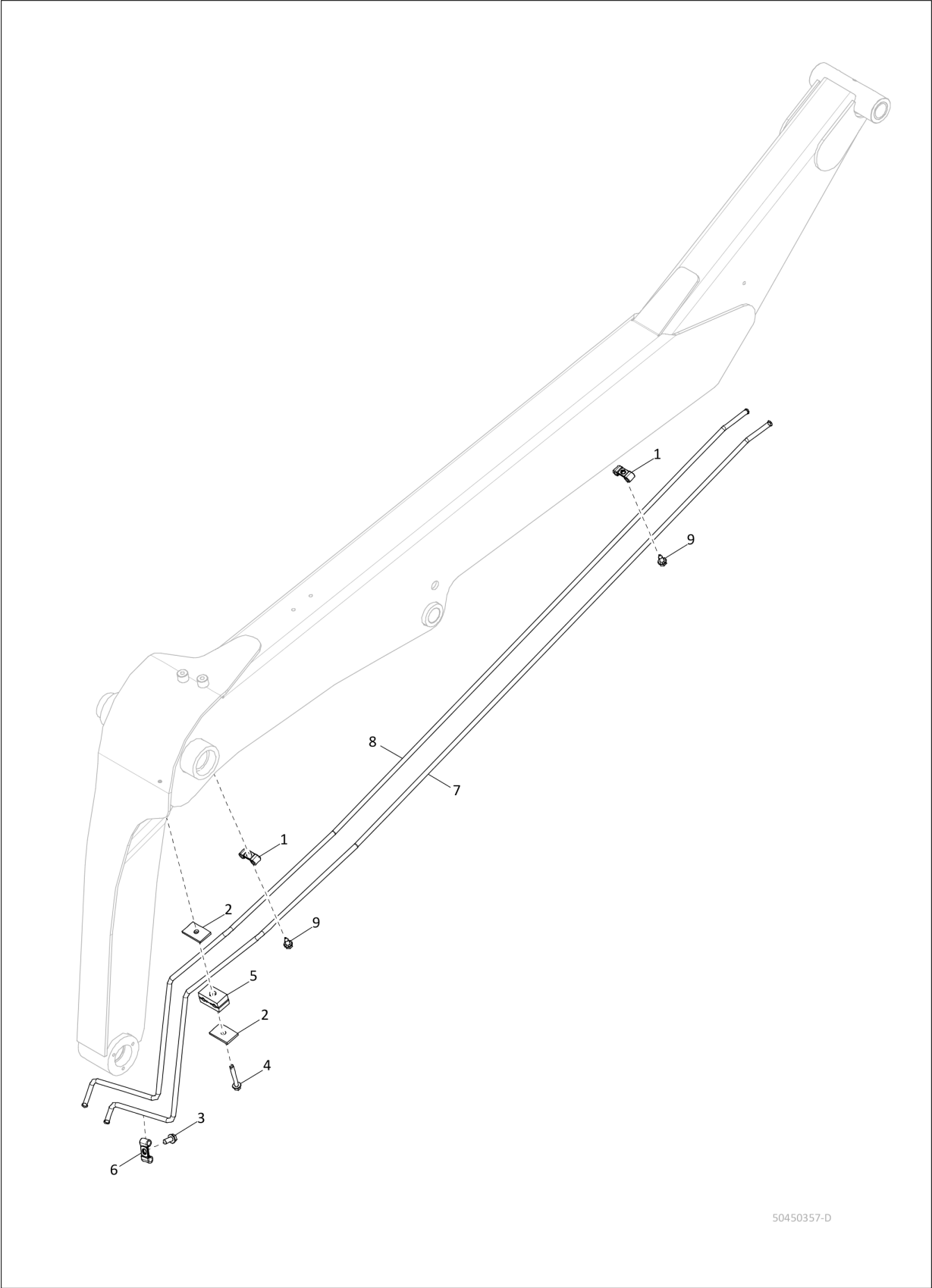
- Thank you very much for reading the preview of the manual.
- You can download the complete manual from: [www.heydownloads.com](http://www.heydownloads.com) by clicking the link below



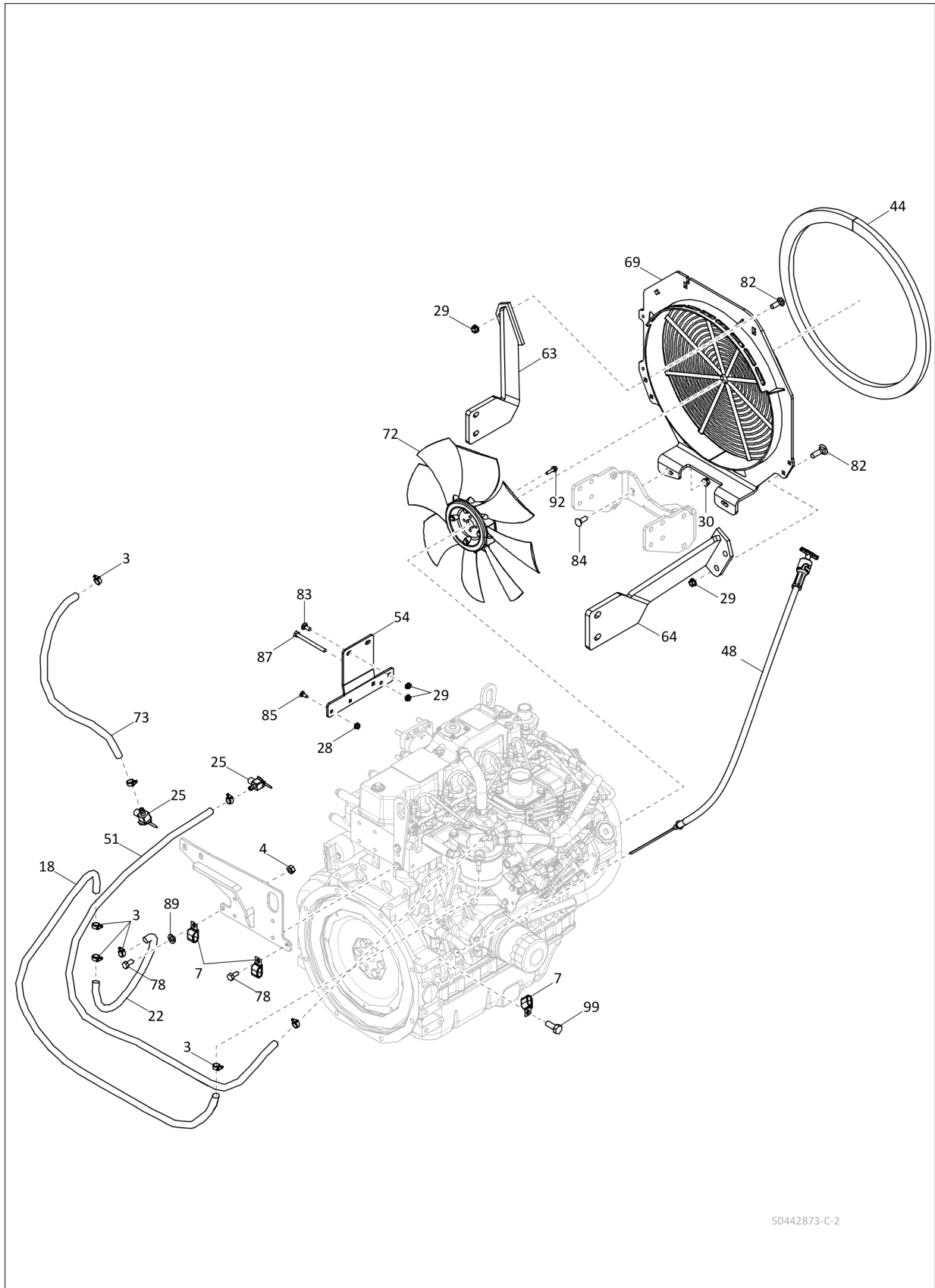
- Please note: If there is no response to CLICKING the link, please download this PDF first and then click on it.

CLICK HERE TO **DOWNLOAD** THE COMPLETE MANUAL

**LIFT ARM** Power Attach Tube Assembly / Lift Arm

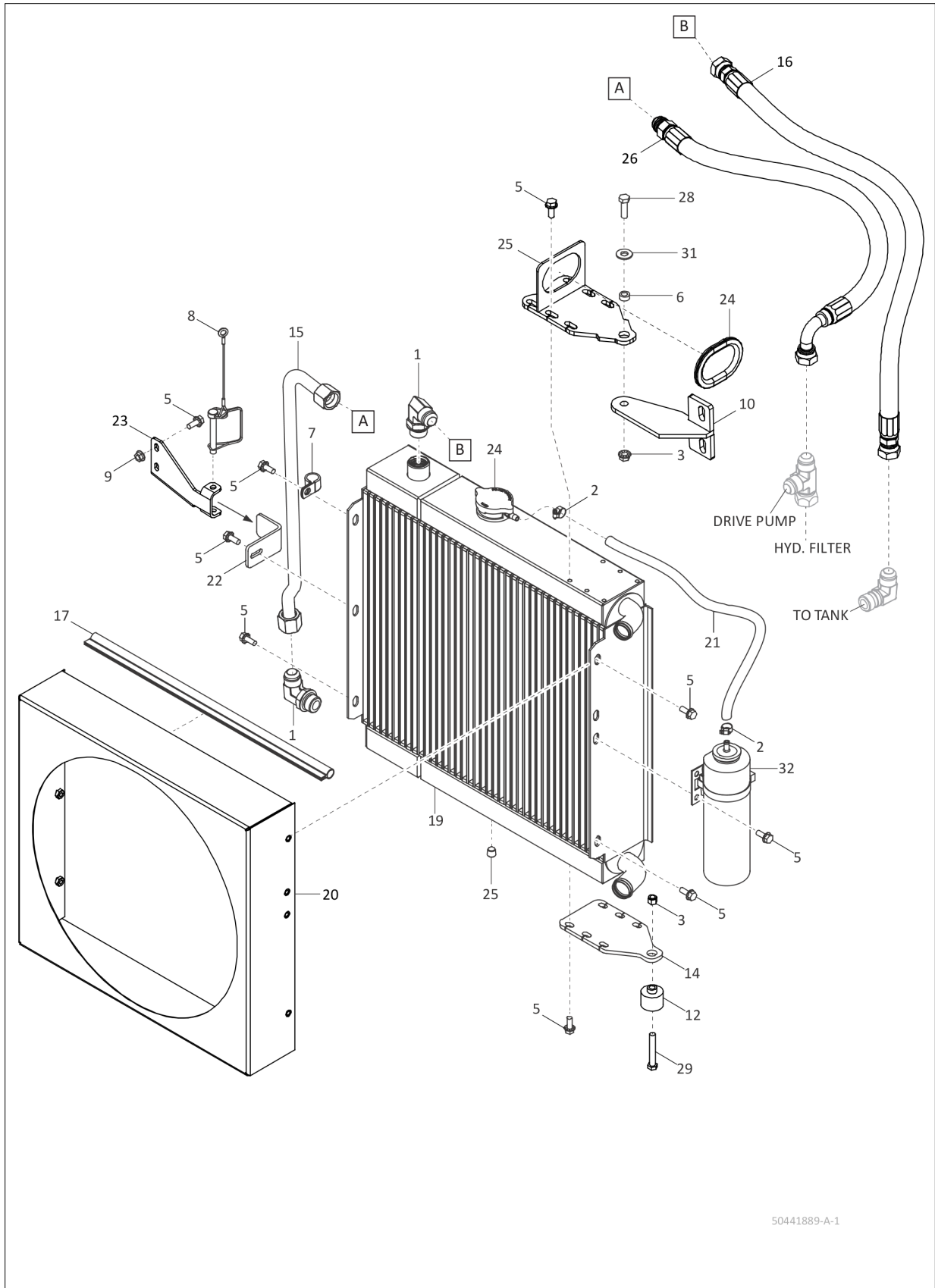


50450357-D



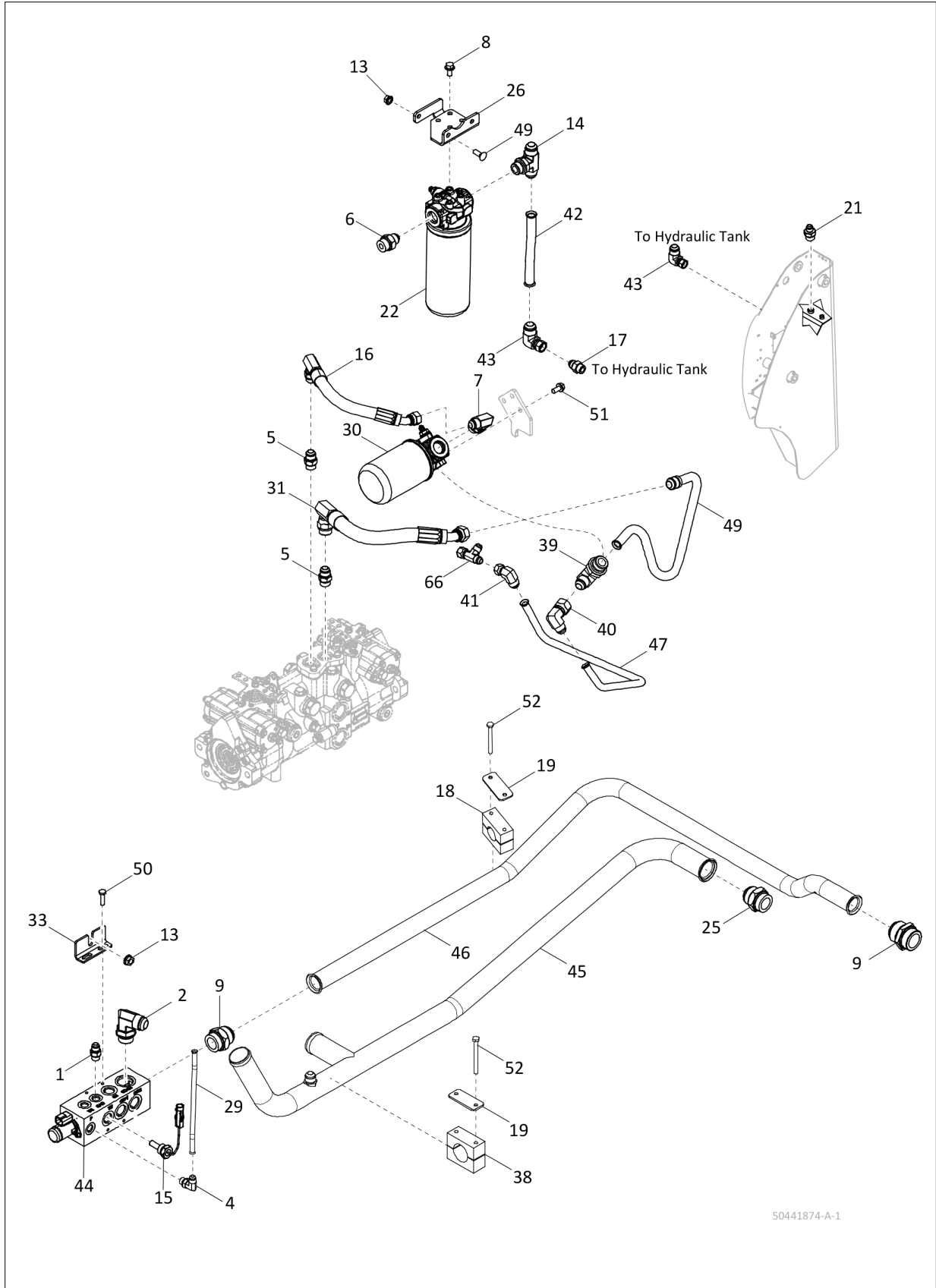
50442873-C-2

# ENGINE 50441889 Assembly Cooler (1 of 2)

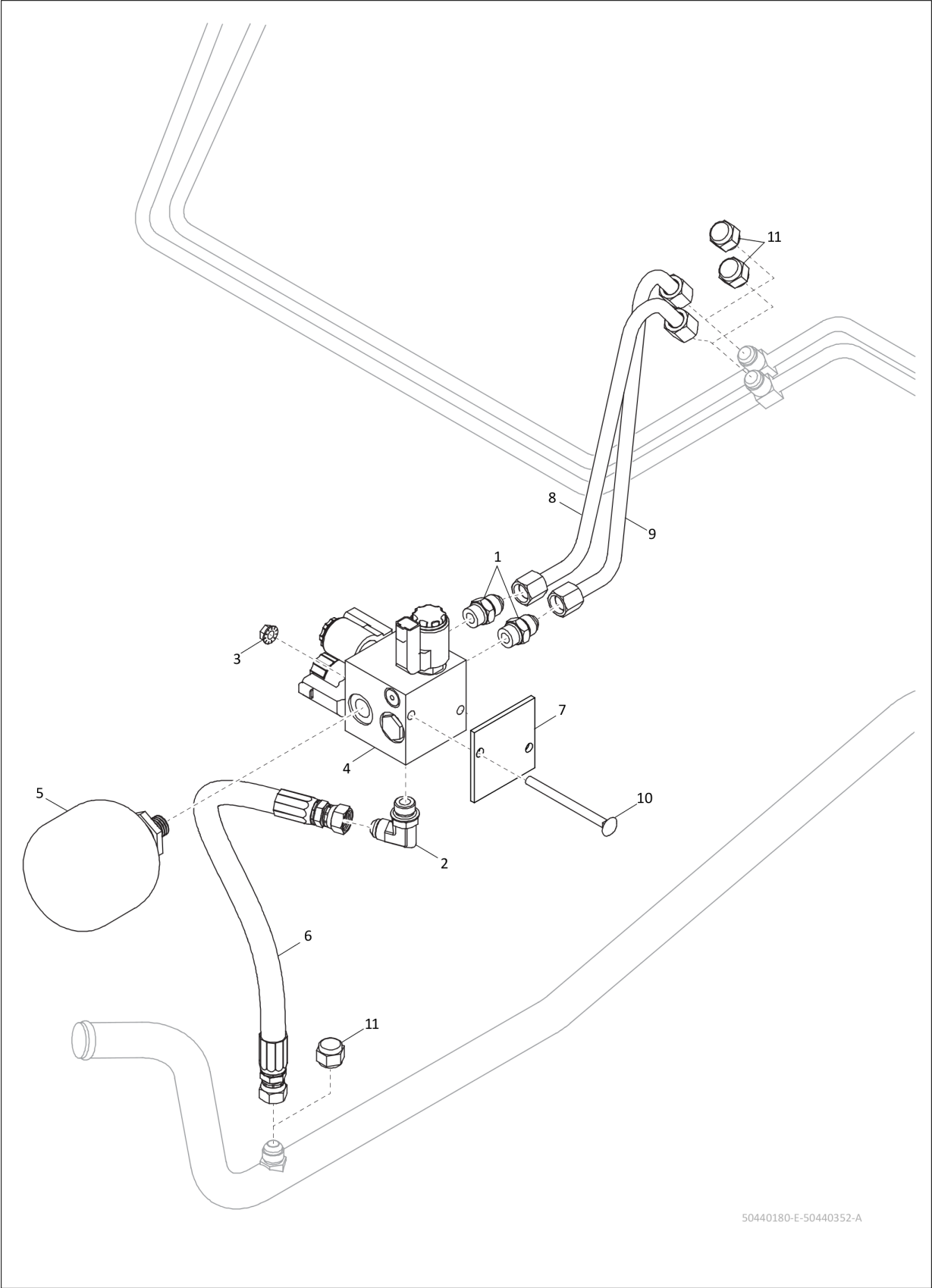


50441889-A-1

# HYDRAULICS 50441874 Assembly Hydraulic Chassis (1 of 2)

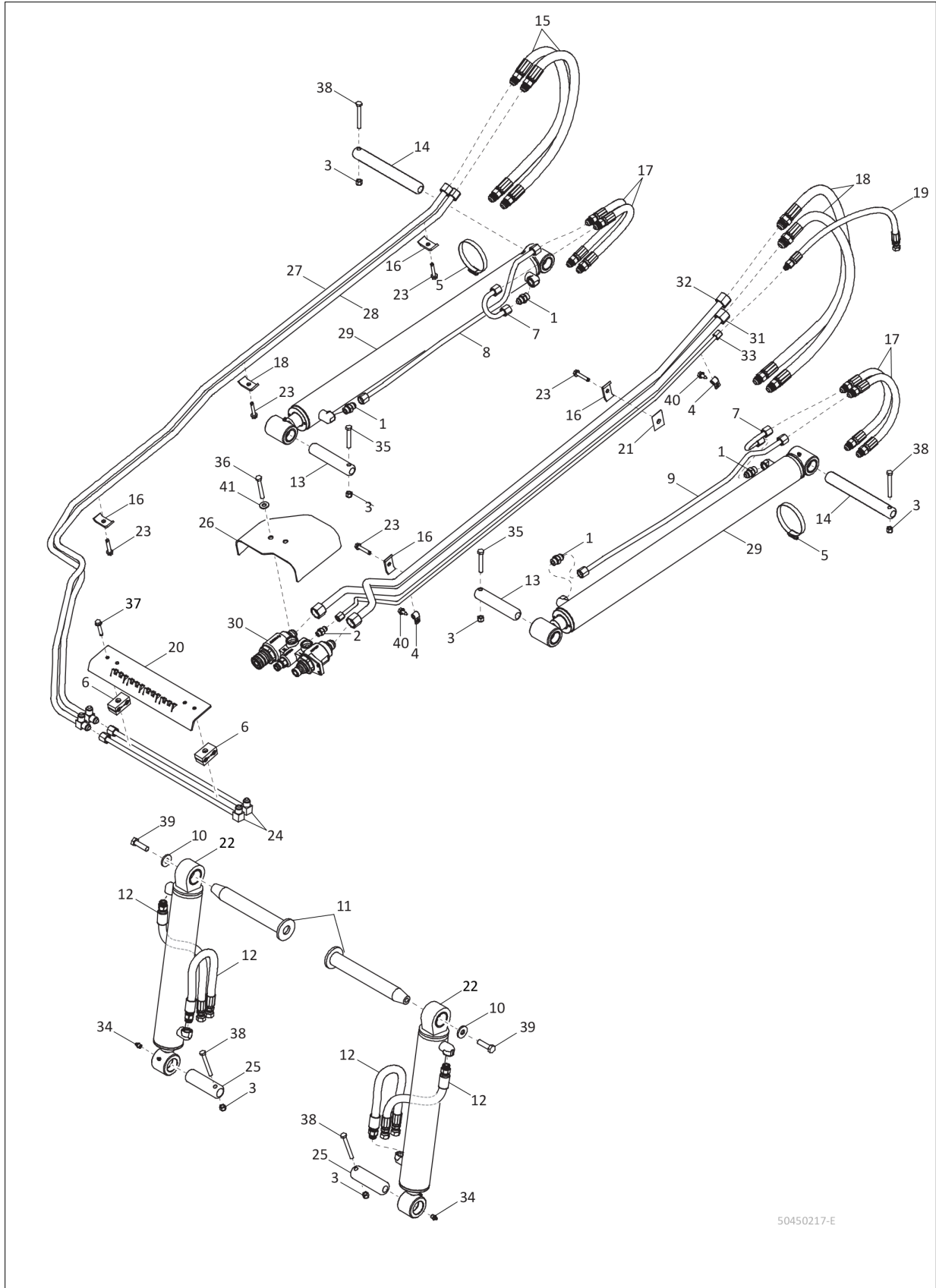


50441874-A-1

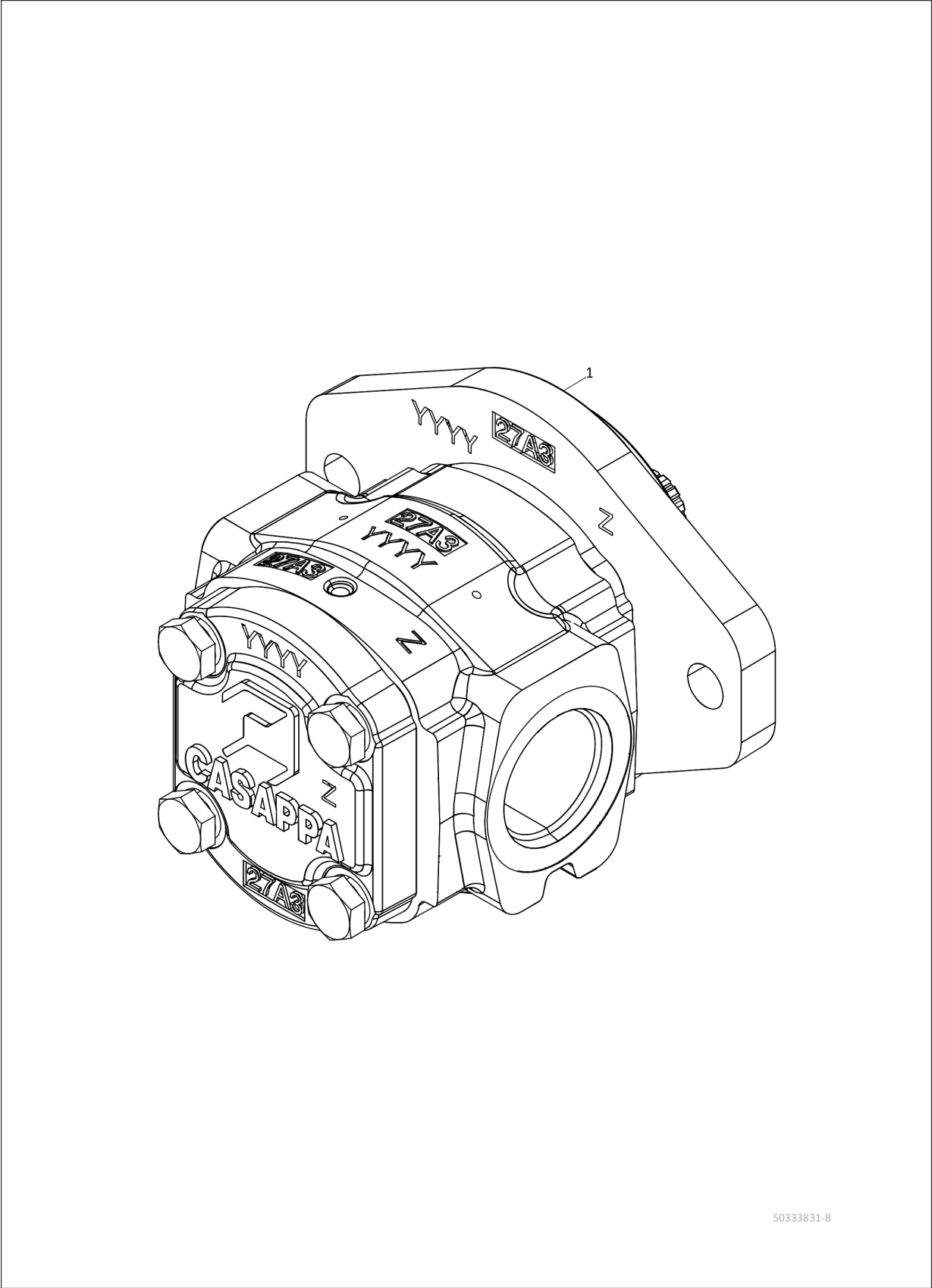


50440180-E-50440352-A

# LIFT ARM HYDRAULICS 50450217 Hydraulic Lift Arm

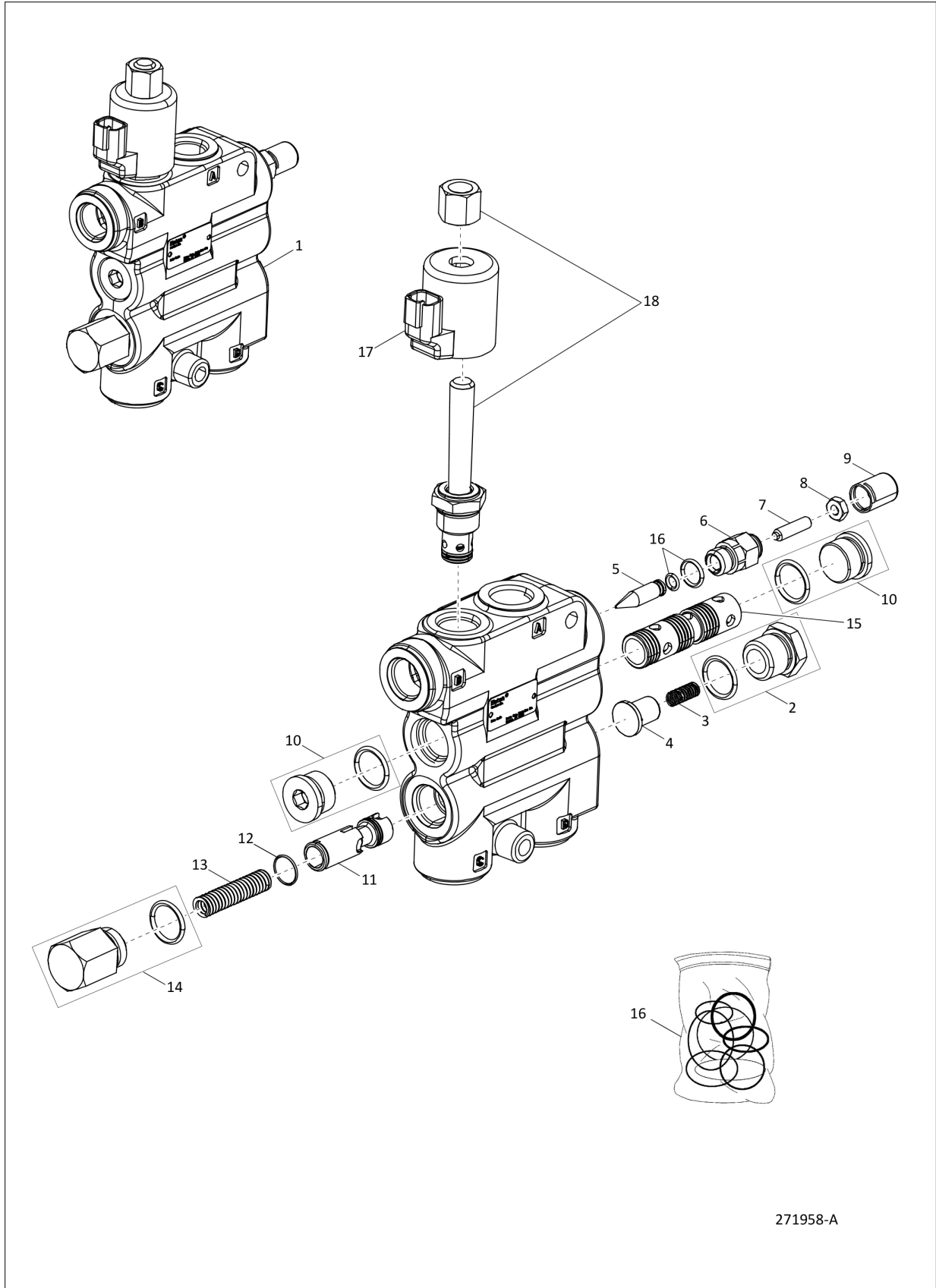


50450217-E



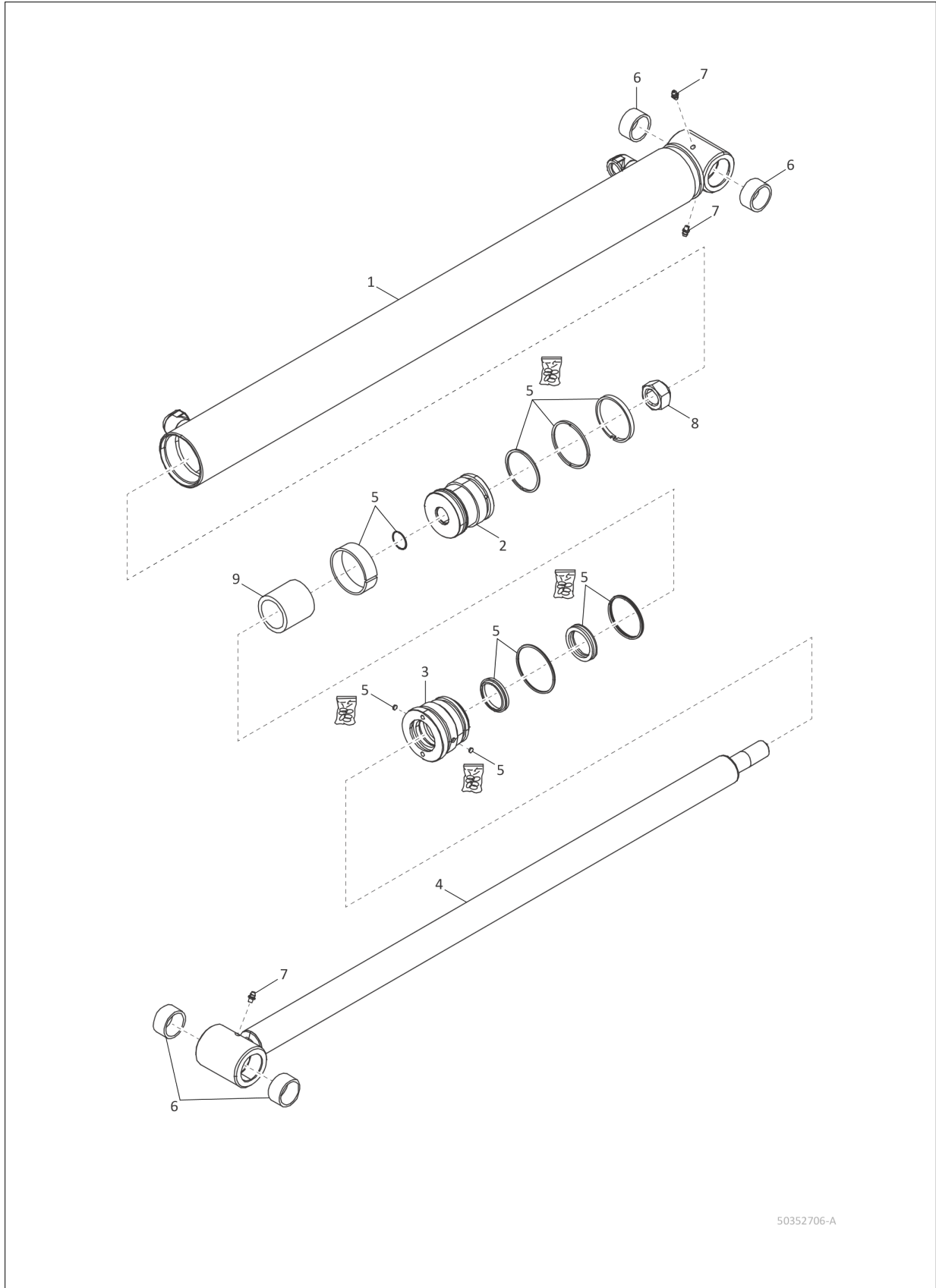
50333831-B

# COMPONENTS Self-Leveling Valve w/ Bypass (PN 271958)



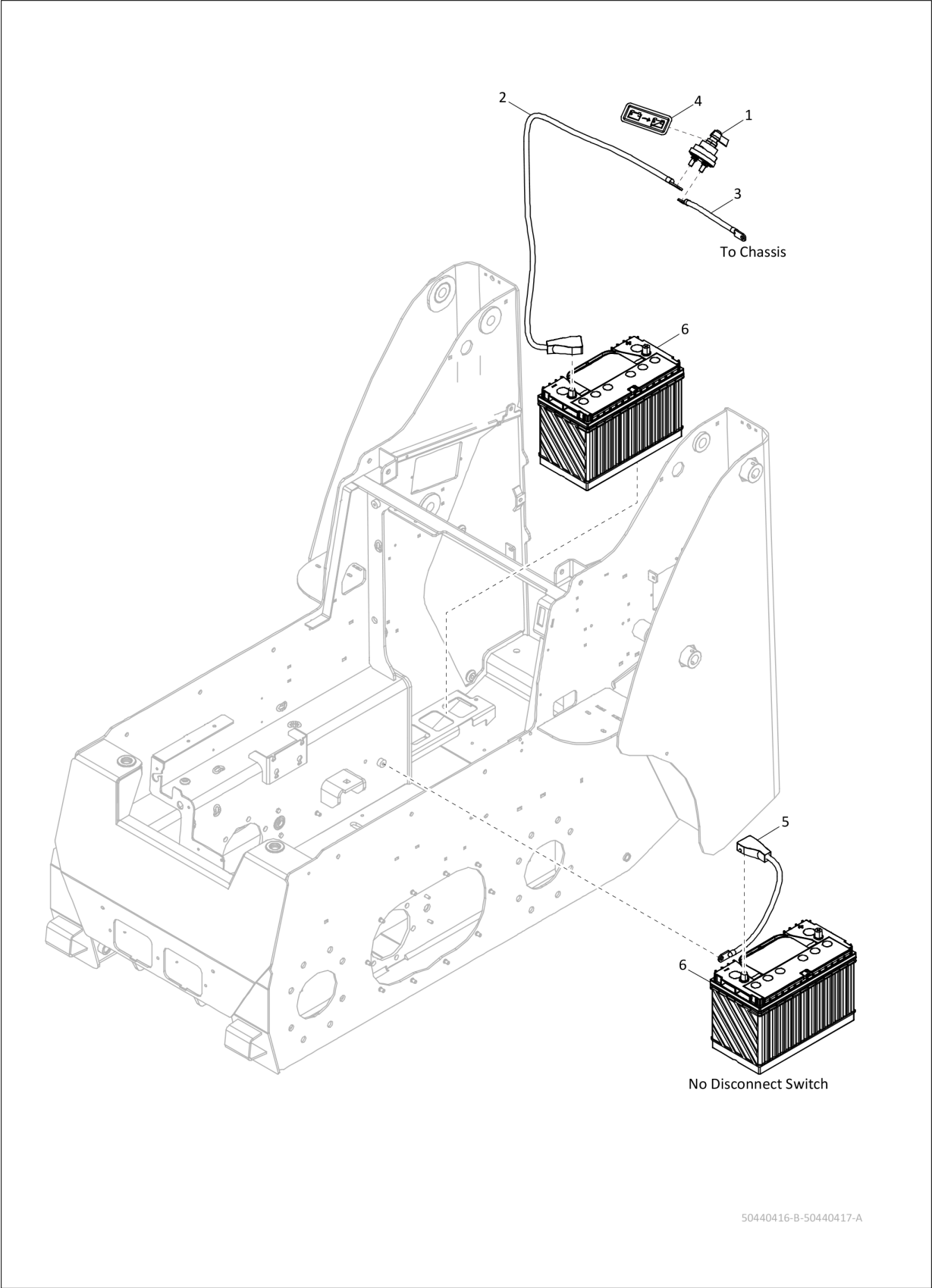
271958-A

# CYLINDERS 50352706 — Assembly Lift Cylinder

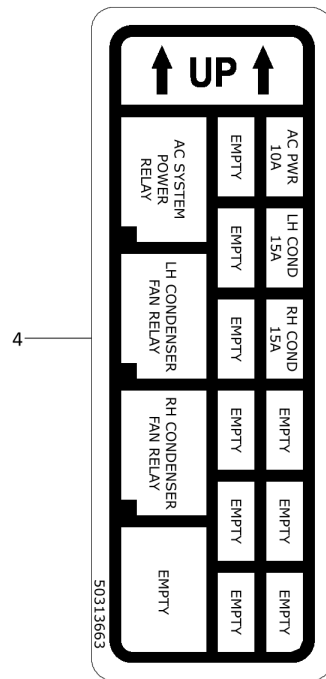
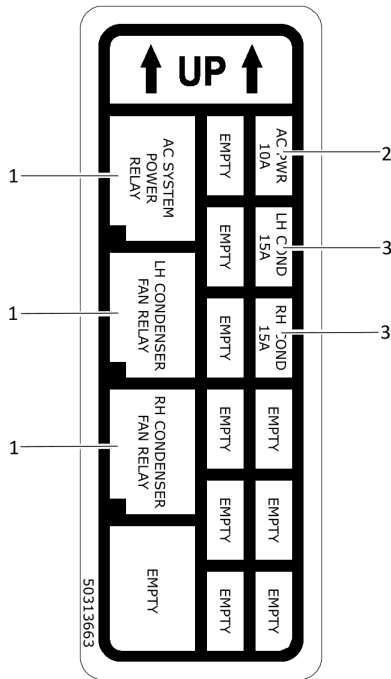


50352706-A

**ELECTRICAL** Assembly Electrical Disconnect

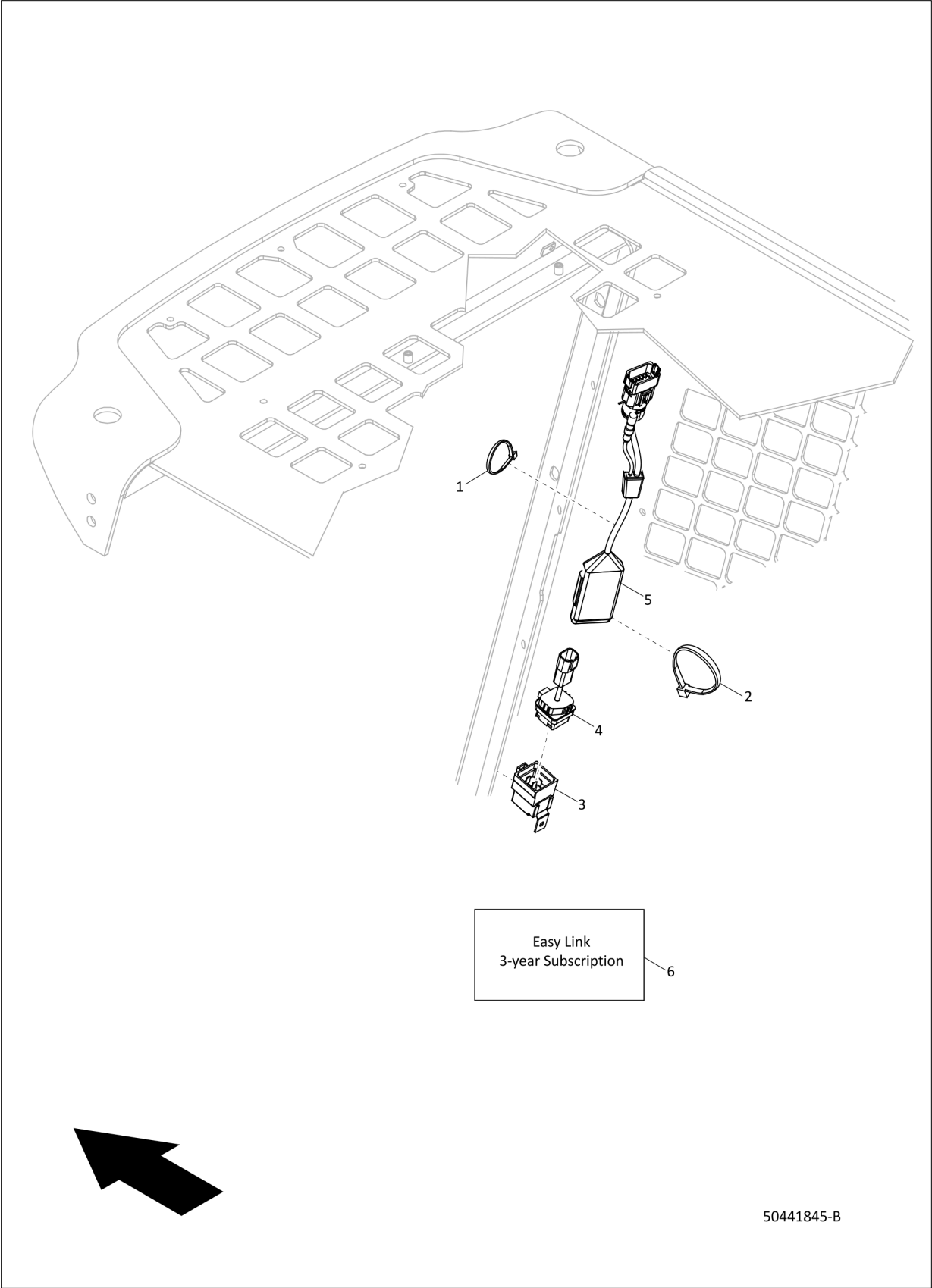


# ELECTRICAL Fuses/Relays - AC Harness

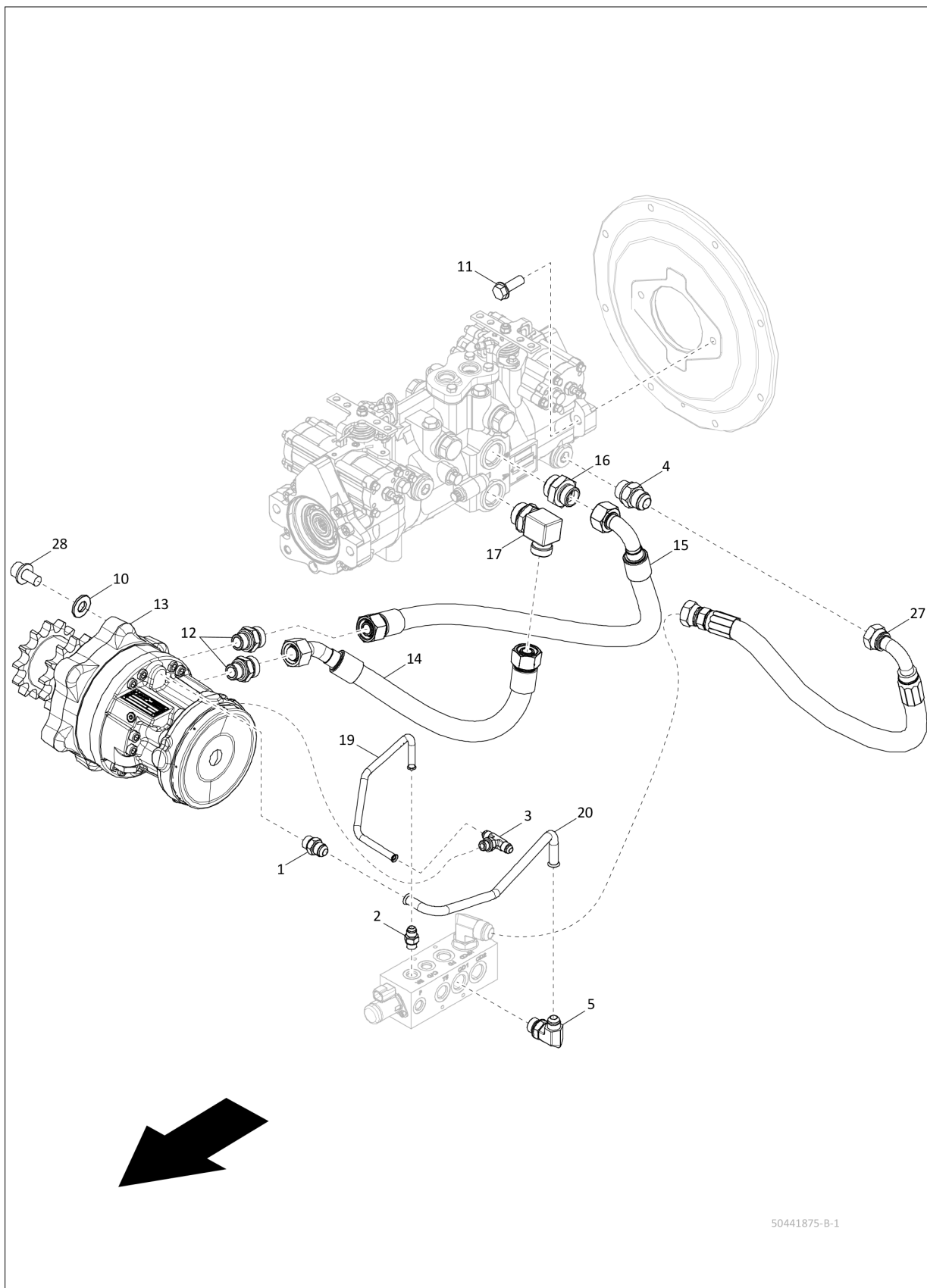


50322155-Fuses-Relays

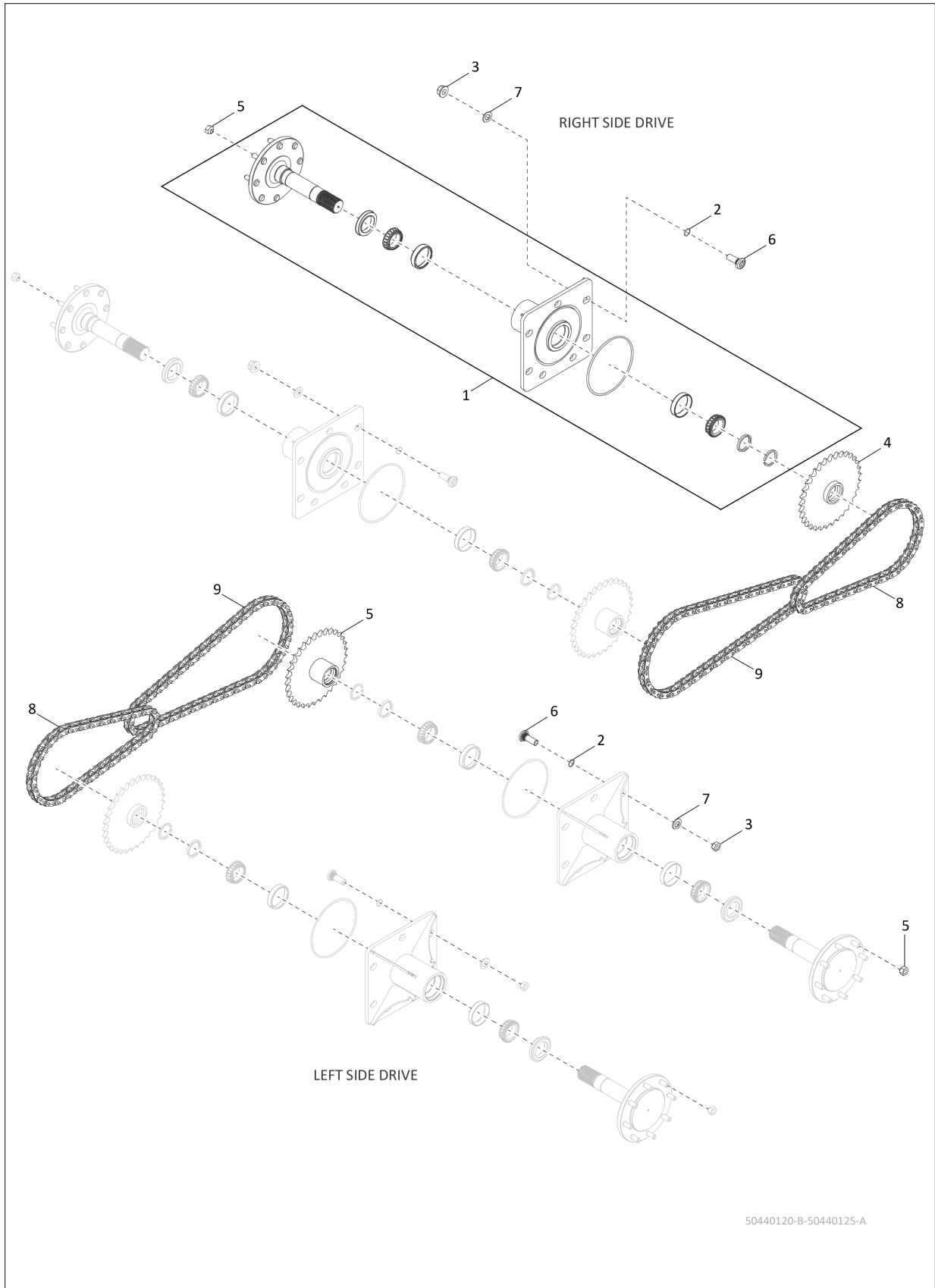
**ELECTRICAL** Easy Manager (Option)



**DRIVETRAIN** 50441875 Assembly/ Hydraulic Hydrostatic/W/Drive Motors/Servo(1 of 2)



# DRIVETRAIN 50440120 Assembly Wheel Drive



50440120-B-50440125-A

50303526	220	50304614	16, 18, 22
50303558	254	50304615	166
50303569	254	50304637	36, 42
50303572	34, 40, 222	50304672	242
50303573	88	50304764	22, 234
50303580	228, 230	50304842	166
50303585	72	50305026	70, 72
50303586	72	50305088	16, 18, 24
50303602	220	50305089	16, 18, 24
50303614	34, 40, 222	50305164	88
50303641	242	50305211	148
50303646	224	50305331	66, 72
50303681	162, 260	50305334	66
50303687	94	50305374	244
50303702	178, 212	50305477	40
50303703	156	50305490	42
50303711	54, 220	50305659	36
50303713	2, 66, 70, 72, 78	50305661	38
50303715	66, 70, 72, 78	50305665	38
50303719	66, 72	50305829	44
50303720	66, 72	50305902	64
50303721	66, 72	50306130	242
50303734	66	50306770	34, 40
50303741	248	50306780	34, 40
50303746	94, 98, 102, 106	50307099	220
50303747	146	50307107	224
50303755	248	50307116	92, 100, 108
50303761	248	50307130	94, 98, 102, 106
50303773	2, 66, 70, 72, 78	50307188	26
50303774	66, 70, 72, 78	50307189	26
50303795	30	50307213	24
50303796	30	50307234	100, 108
50303797	30	50307417	36, 42
50303800	32	50307418	36, 42
50303807	148	50307420	36, 42
50303819	148	50307421	38, 44
50303835	146	50307425	38, 44
50303846	254	50307426	38, 44
50303891	112	50307428	38, 44
50303892	112	50307429	36, 42
50303917	148	50307430	36, 42
50303942	148	50307431	38, 42, 44
50303952	86	50307432	38, 42, 44
50304032	34, 40	50307433	36
50304033	30	50307436	36, 42
50304035	34, 40	50307437	36, 42
50304044	16, 18	50307438	38, 44
50304053	34, 40	50307439	38, 44
50304056	124	50307451	36, 38, 42, 44
50304152	238	50307453	36, 38, 42, 44
50304153	252	50307456	36, 38, 42, 44
50304210	156	50307457	36, 38, 42, 44
50304226	156	50307458	38, 44
50304289	238	50307459	38, 44
50304303	142	50307460	38, 44
50304462	186, 190	50307463	38, 44
50304572	58	50307464	38
50304578	252	50307465	38, 44

CLICK HERE TO **DOWNLOAD** THE COMPLETE MANUAL

- Thank you very much for reading the preview of the manual.
- You can download the complete manual from: [www.heydownloads.com](http://www.heydownloads.com) by clicking the link below



- Please note: If there is no response to CLICKING the link, please download this PDF first and then click on it.

CLICK HERE TO **DOWNLOAD** THE COMPLETE MANUAL