



**AL 406**

**ARTICULATED  
LOADER**

**PARTS MANUAL**

**PART #918337**

**Revision A - 10/08**



CLICK HERE TO **DOWNLOAD** THE COMPLETE MANUAL

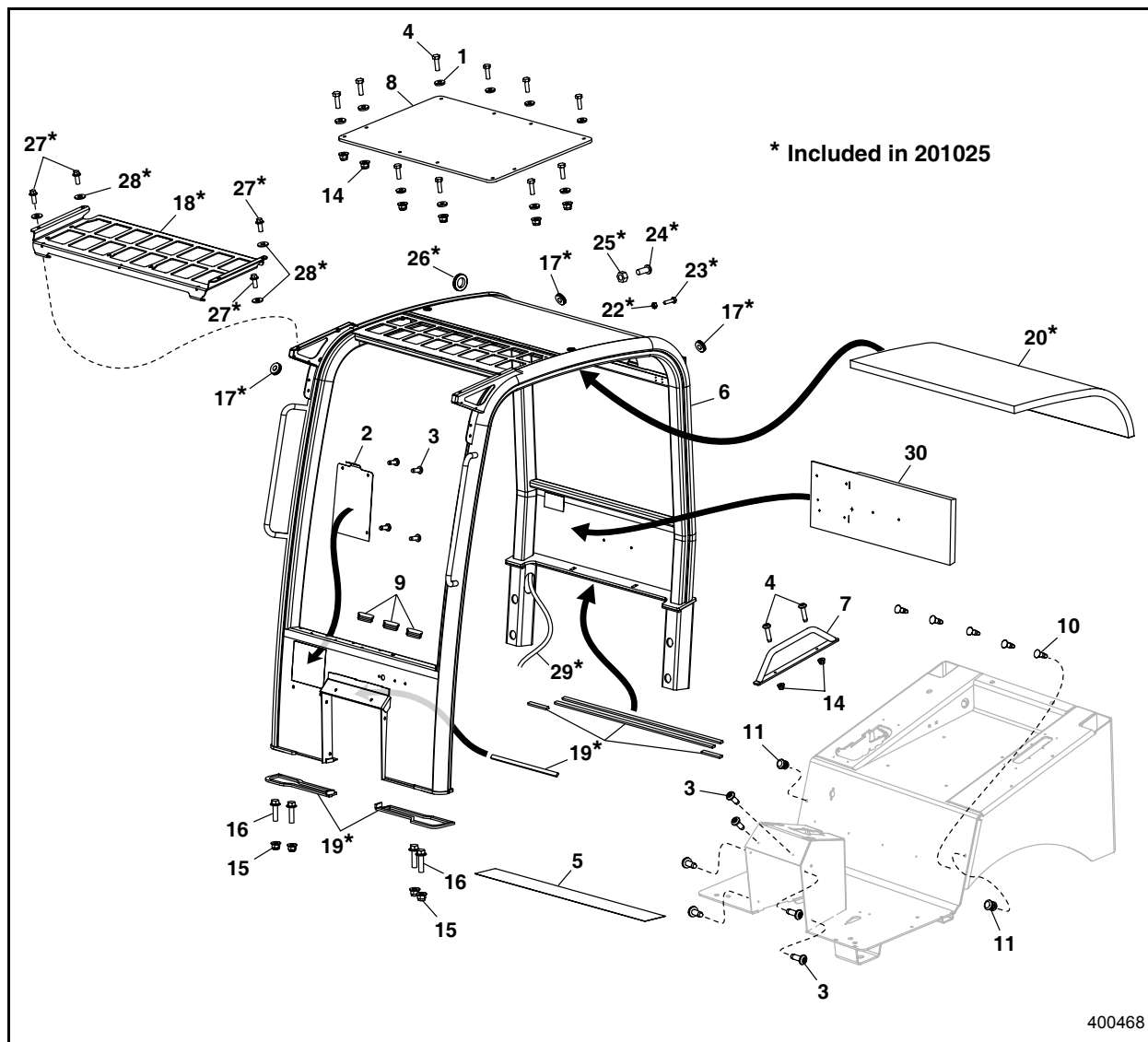
- Thank you very much for reading the preview of the manual.
- You can download the complete manual from: [www.heydownloads.com](http://www.heydownloads.com) by clicking the link below



- Please note: If there is no response to CLICKING the link, please download this PDF first and then click on it.

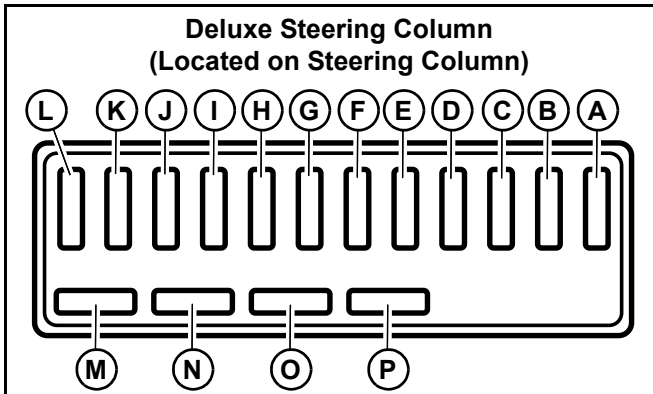
CLICK HERE TO **DOWNLOAD** THE COMPLETE MANUAL

# AL 406 - CHASSIS ROPS - FOUR-POST - 201025

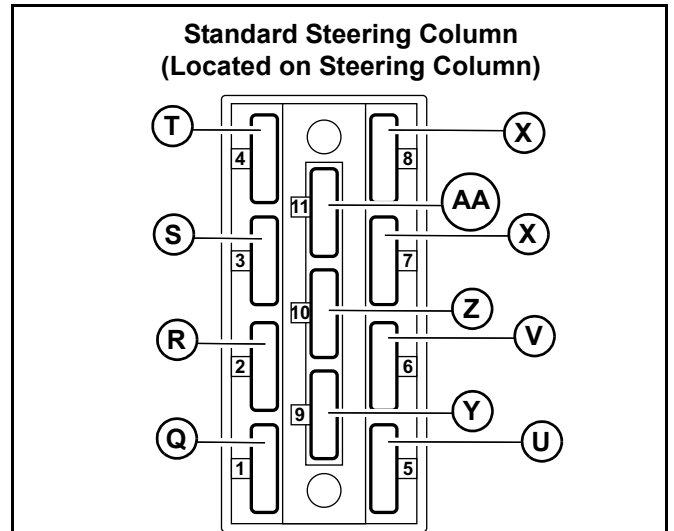


Ref. No.	Part No.	Description	Qty.	Ref. No.	Part No.	Description	Qty.
1	137462	WASHER 1/4 SEALING	10	16	651742	CS FLH M12-1.75X45 C8.8ZY DN1665	4
2	175682	COVER/STEERING COLUMN	1	17	202570	GROMMET	3
3	176681	SCREW/TPH TF TORX M6-1.00X16	10	18	202569	BRACKET/FOPS	1
4	176682	SCREW/TPH TF TORX M6-1.00X25	12	19	202568	KIT/FOAM	1
5	200283	TAPE/ANTI-SLIP (3.0775FT)	1	20	202567	HEADLINER	1
6	201025	OPEN CAB STRUCTURE ASSY (Includes Ref. Nos. 17, 18, 19, 20, 22 - 28 & 29)	1	22	656116	HN M4-0.7 C8 ZY DIN934	1
7	270119	HANDLE/WLDMT	1	23	651421	CS M4-0.7X16 C8.8 ZY DIN931	1
8	270161	WINDOW/SKYLIGHT	1	24	651640	BHSCS 5/16X3/4 C RIE	1
9	270180	PLUG/PLASTIC	3	25	653007	HN 5/16 C2ZY	1
10	270588	PLUG/PLASTIC	5	26	202571	GROMMET	2
11	270730	PLUG/PLASTIC	2	27	651689	CS FL M8-1.25X20 C8.8 ZY DIN1662	4
14	651705	LN INST FL M6-1.00 C8 ZY DIN6926	8	28	654004	FW 5/16 AWZY	4
15	651708	LN INST FL M12-1.75 C8 ZY DIN6926	4	29	201377	HARNES/4 POST ROPS	1
				30	272078	FOAM/REAR PANEL	1

# AL 406 - CHASSIS ELECTRICAL



Fuse	Rated Current (Amp)	Protected Circuit	Ref. (See following page)
A	5	Instrument panel, forward and reverse relays	1
B	10	Joystick	3
C	5	Fuel pump, glow module, fuel solenoid hold	1
D	7.5	Horn, beacon	2
E	5	Work light switch, work light relays	1
F	10	Power-A-Tach™	3
G	5	Starter relay	1
H	10	Turn signals	3
I	20	Ignition switch	1
J	10	Rear work light	3
K	10	Front work light	3
L	7.5	12V accessory power outlet	2
M	10	High-beam headlights	3
N	10	Low-beam headlights	3
O	5	Position lights	1
P	10	Spare fuse	3

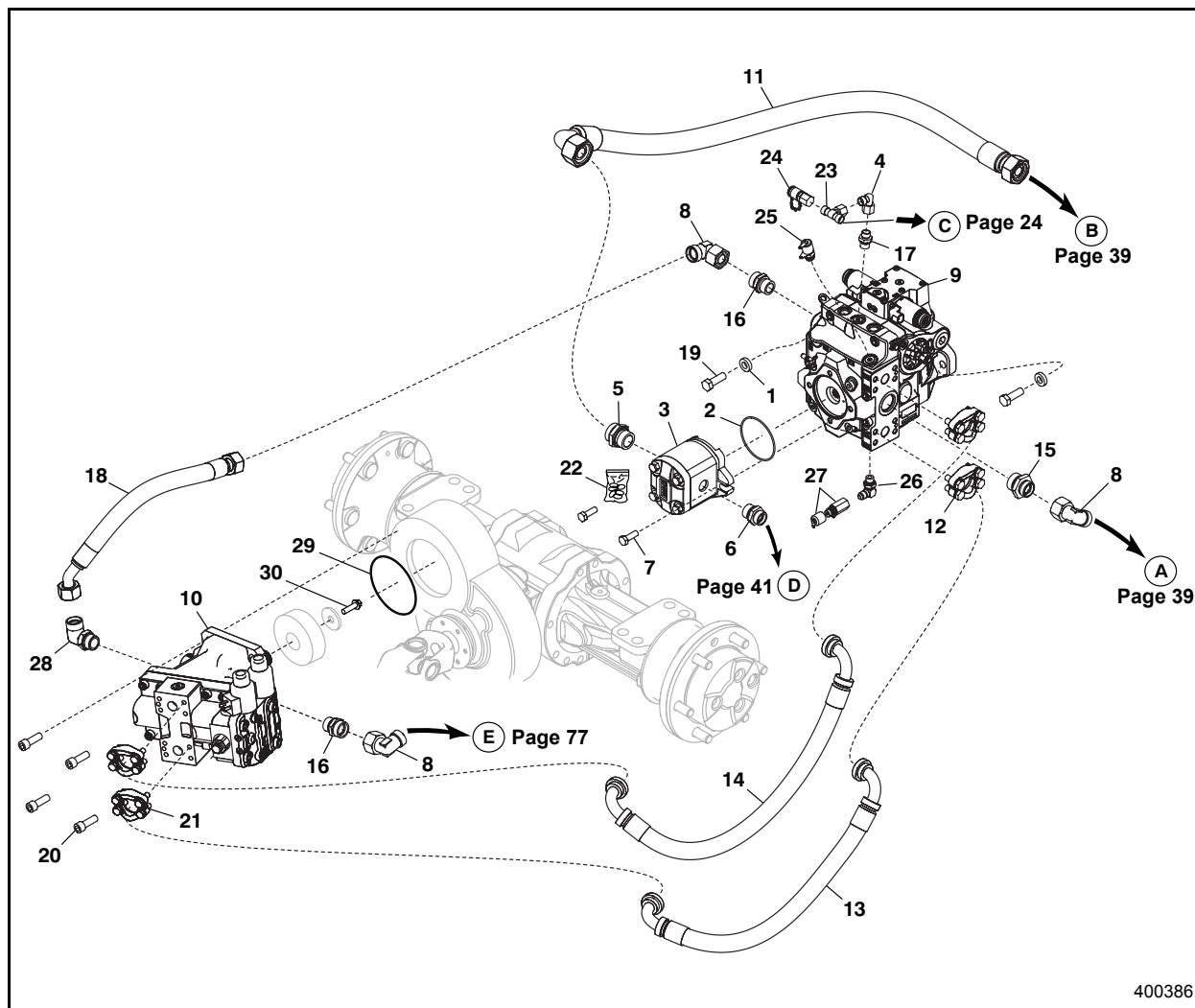


Fuse	Rated Current (Amp)	Protected Circuit	Ref. (See following page)
Q	5	Instrument panel, forward and reverse relays	1
R	5	Joystick	1
S	5	Fuel pump, glow module, fuel solenoid hold	1
T	7.5	Horn, beacon	2
U	5	Steering column switch lights	1
V	10	Power-A-Tach™	3
W	5	Starter relay	1
X	20	Ignition switch	4
Y	10	Rear work light	3
Z	10	Front work light	3
AA	7.5	12V accessory power outlet	2

## AL 406 - AXLES FRONT AND REAR AXLES

Ref. No.	Part No.	Description	Qty.	Ref. No.	Part No.	Description	Qty.
1	203767	BEVEL GEAR SET (REAR)	1	45	203579	BRAKE	1
	203766	BEVEL GEAR SET (FRONT)	1	46	203581	ANCHOR PLATE	1
2	203708	WASHER (3.3 MM)	1	47	203618	CAP SCREW, M12X35 IS	6
3	203709	WASHER (3.4 MM)	1	48	203598	WASHER	6
4	203710	WASHER (3.5 MM)	1	49	203596	ANCHOR PLATE	1
5	203711	WASHER (3.6 MM)	1	50	203617	CAP SCREW, M14X45 IS	6
6	203712	WASHER (3.7 MM)	1	51	203582	WHEEL CYLINDER	1
7	203751	ROLLER BEARING	1	52	203599	SPRING WASHER	2
8	203741	BUSHING	1	53	203612	HEXAGON SCREW, M10X30 DI	2
9	203719	RING (5.55 MM)	1	54	203583	RESET	1
10	203720	RING (5.60 MM)	1	55	203591	LOCKING WASHER	2
11	203721	RING (5.62 MM)	1	56	203613	HEXAGON SCREW	1
12	203722	RING (5.70 MM)	1	57	203580	BRAKE SHOE	1
13	203723	RING (5.75 MM)	1	58	203588	TAPPET	1
14	203724	RING (5.80 MM)	1	59	203597	WASHER	1
15	203725	RING (5.85 MM)	1	60	203587	COMPRESSION SPRING	1
16	203726	RING (5.90 MM)	1	61	203584	BRAKE SHOE	1
17	203727	RING (5.95 MM)	1	62	203589	TENSION SPRING	2
18	203728	RING (6.10 MM)	1	63	203590	TENSION SPRING	1
19	203729	RING (6.15 MM)	1	64	203592	COMPRESSION SPRING	2
20	203730	RING (6.20 MM)	1	65	203593	CABLE CONTROL	1
21	203731	RING (6.25 MM)	1	66	203585	SPRING WASHER	1
22	203732	RING (6.30 MM)	1	67	203765	BRAKE DRUM	1
23	203733	RING (6.35 MM)	1	68	203615	CAP SCREW, M6X18 IS	2
24	203734	RING (6.40 MM)	1	69	203776	INPUT FLANGE	1
25	203735	RING (6.45 MM)	1	70	203625	STUD	8
26	203736	RING (6.50 MM)	1	71	203627	SCREW NECK	1
27	203737	RING (6.55 MM)	1	72	203610	SEALING RING	1
28	203738	RING (6.60 MM)	1	73	203762	DIFFERENTIAL CASE	1
29	203739	RING (6.65 MM)	1	74	203763	AXLE BEVEL GEAR	1
30	203740	RING (6.70 MM)	1	75	203764	AXLE BEVEL GEAR	1
31	203703	RING (5.98 MM)	1	76	203701	THRUST WASHER	1
32	203704	RING (6.00 MM)	1	77	203702	THRUST WASHER	1
33	203705	RING (6.02 MM)	1	78	203785	BEVEL GEAR	2
34	203706	RING (6.04 MM)	1	79	203700	THRUST WASHER	2
35	203707	RING (6.07 MM)	1	80	203784	AXLE	1
41	203753	ROLLER BEARING	1	81	203620	CAP SCREW	10
42	203746	SHAFT SEAL	1	82	203604	PIN	1
43	203713	WASHER	1	83	203603	PIN	5
44	203626	HEXAGON NUT, M24X2 DI	1	84	203605	PIN	5

# AL 406 - HYDRAULICS HYDRAULIC DRIVE



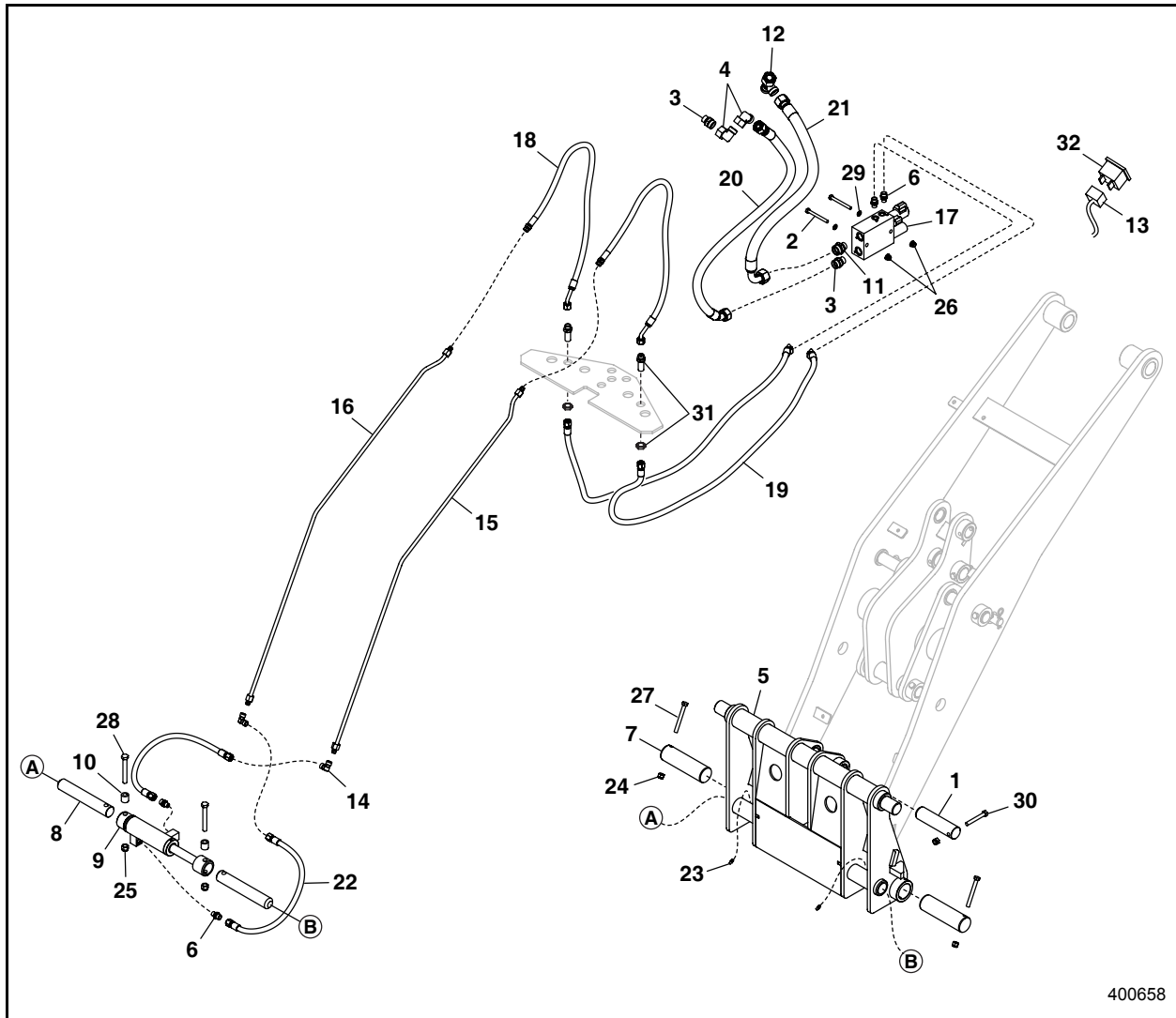
400386

Ref. No.	Part No.	Description	Qty.	Ref. No.	Part No.	Description	Qty.
1	093362	FW 17/32	2	18	271999	HOSE/MP 12 X 457MM *	1
2	129933	O-RING -152 70 DUR	1	19	650453	CS 1/2X1-1/2 C5ZY ***	2
3	176274	PUMP/GEAR	1	20	651483	SHCS M12-1.75X35 C10.9 ZY DIN912	4
4	176364	90M SV F24C10 M24C10 **	1	21	104025	FLANGE KIT/-12 CODE 62	2
5	176375	STM M24C28 MBSPP01 **	1	22	270671	KIT/SEAL	1
6	176532	STM M24C18 MBSPP34 **	1	23	176367	TEM SV BR F24C10 M24C10 **	1
7	201181	CS M10-1.50X30 C8.8ZY	2	24	270236	DIAGNOSTIC/MALE **	1
8	270069	90M SV F24C22 M24C22 **	3	25	193562	TEST PORT-9/16-18 UNF	1
9	270201	PUMP/AXIAL PISTON	1	26	068938	ELBOW/90° ADJUSTABLE	1
10	270245	MOTOR/BENT AXIS	1	27	193169	TEST PORT	1
11	270294	HOSE/LP 16 X 1213MM *	1	28	272380	90M AJ M24C22 MAORB12 **	1
12	270359	DIN FLANGE KIT/-12 CD 62	2	29	203890	O-RING/2-250X70BN	1
13	270391	HOSE/HP 12 X 640MM *	1	30	651698	CS FL M10-1.50X35 C8.8 ZY DIN1662	1
14	270392	HOSE/HP 12 X 765MM *	1				
15	270414	STM M24C22 MORB16 **	1				
16	270415	STM M24C22 MORB12 **	2				
17	270416	STM M24C10 MORB06 **	1				

\* See Page 94 for o-ring information.  
 \*\* See Page 95 for o-ring/seal/description information.  
 \*\*\* Re-use of bolts requires Loctite® 262 or equivalent.

# AL 406 - ATTACHMENTS

## 4-POINT ALL-TACH



400658

Ref. No.	Part No.	Description	Qty.	Ref. No.	Part No.	Description	Qty.
1	175980	PIN/PIVOT	1	18	271195	HOSE/MP 5 X 910MM *	2
2	656153	CS M8-1.25X80 C8.8 ZY DIN931	2	19	271342	HOSE/MP 5 X 1435MM *	2
3	176370	STM M24C18 MBSPP12 **	2	20	271343	HOSE/MP 10 X 952MM *	1
4	176371	90M SV F24C18 M24C18 **	2	21	271344	HOSE/MP 12 X 864MM *	1
5	176403	WDMT/4-POINT ALL-TACH	1	22	272217	HOSE/MP 5 X 550MM *	2
6	176530	STM M24C10 MBSPP14 **	4	23	613052	FITTING/GREASE M6X1	2
7	176666	PIN/PIVOT 50MM	2	24	651448	LN INS M10-1.5 C8 ZY DIN6924	3
8	176667	PIN	2	25	651449	LN INST M12-1.75 C8 ZY DIN6924	2
9	176670	CYLINDER	1	26	651706	LN INST FL M8-1.25 C8 ZY DIN6926	2
		See page 46 for individual components		27	656015	CS M10-1.5X90 C8.8 ZY DIN931	2
10	176671	SPACER	2	28	656022	CS M12-1.75X90 C8.8 ZY DIN931	2
11	176884	STM M24C22 MBSPP12 **	1	29	656111	FW M8 ZY DIN125	2
12	201236	TEM SV RN F24C22 M24C22 **	1	30	656117	CS M10-1.5X75 C8.8 ZY DIN931	1
13	201479	HARNES/4-POINT ALL-TACH	1	31	176360	STM BK M24C10 M24C10 **	2
14	270258	90M M24C10 M24C10 **	2	32	271136	TOGGLE/4-POINT ALL-TACH	1
15	270390	TUBE/HYDRAULIC	1				
16	270393	TUBE/HYDRAULIC	1				
17	270400	VALVE/4-POINT ALL-TACH	1				

\* See Page 94 for o-ring information.

\*\* See Page 95 for o-ring/seal/description information.

## AL 406 - ENGINE CYLINDER HEAD AND COVER

Ref. No.	Part No.	Description	Qty.	Ref. No.	Part No.	Description	Qty.
1	188679	LIFT BRACKET	2	32	425-34796	SEAL	4
2	425-34733	BOLT M8 X 16 PLATED	4	33	188545	NOZZLE RETAINER	4
3	188655	ROCKER SHAFT ASSY	1	34	188502	WASHER	4
4	188656	SHAFT	1	35	425-34783	SPRING PIN 6 X 12	2
6	188470	ROCKER ARM SUPPORT	2	36	425-34765	BOLT M8 X 25 PLATED	3
7	188471	ROCKER ARM SUPPORT	3	37	425-34761	BOLT M8 X 35 PLATED	4
8	188597	SPRING	4	38	425-34766	BOLT M8 X 50 PLATED	7
9	188544	ROCKER ARM ASSY	8	39	425-34740	FILLER CAP	1
10	188596	VALVE SCREW	8	40	188658	VALVE COVER ASSY	1
12	425-34791	NUT M8 X P-1.0	8	41	188539	BAFFLE PLATE	1
13	425-34793	STUD M8 X 18 PLATED	3	42	425-34769	BAFFLE	1
14	425-34782	VALVE CAP	8	43	188465	DIAPHRAGM PLATE	1
15	197811	CYLINDER HEAD ASSY	1	44	188466	DIAPHRAGM COVER	1
20	425-34779	PLUG 40	2	45	188467	DIAPHRAGM	1
21	188559	INTAKE VALVE	4	46	188469	DIAPHRAGM SPRING	1
22	425-34639	EXHAUST VALVE	4	48	188657	VALVE COVER GASKET	1
23	425-34643	VALVE SPRING	8	49	186598	SCREW 5X10 TAPPING	4
24	425-34644	SPRING RETAINER	8	50	186598	SCREW 5X10 TAPPING	4
25	188507	VALVE STEM SEAL	4	51	425-34775	KNOB	3
26	425-34645	VALVE STEM SEAL	4	52	425-34776	O-RING 1A P-12.0	3
27	425-34646	RETAINER	8	53	425-34745	O-RING 1A P-32.0	1
29	425-34642	SUCTION VALVE GUIDE	4	54	270953	GLOW PLUG HARNESS	1
30	425-34641	EXHAUST VALVE GUIDE	4	55	270951	GLOW PLUG	4
31	186337	NOZZLE GUARD	4	56	197847	GLOW PLUG CONNECTOR	1

# AL 406 - ENGINE FUEL LINE

Ref. No.	Part No.	Description	Qty.	Ref. No.	Part No.	Description	Qty.
1	186467	BRACKET FILTER	1	13	197868	DECAL	1
2	270979	FILTER/FUEL OIL	1	14	186308	PUMP ASSY FUEL FEED	1
3	425-34760	BOLT M8 X 30 PLATED	2	15	188492	SEPARATOR ASSY	1
4	188688	FUEL OIL PIPE ASSY	1	16	203821	CUP	1
5	425-34916	CLAMP 12	2	17	203822	FILTER	1
6	188691	TUBE	1	18	203823	DRAIN PLUG	1
7	188439	FUEL OIL PIPE	1	19	203824	BREATHER PLUG	1
8	188689	FUEL OIL PIPE ASSY	1	20	203825	BREATHER SEAL	1
9	425-34916	CLAMP 12	2	21	203826	DECAL	1
10	188690	FUEL PIPE PROTECTOR	1	22	425-34744	O-RING 1A P-16.0	1
11	188440	FUEL OIL PIPE	1	23	203827	O-RING	1
12	137953	CLAMP	1				

# Index

## A

Attachments .....	47
Axles .....	27

## C

Chassis .....	4
Controls .....	23

## D

Decals .....	50
--------------	----

## E

Engine .....	54
--------------	----

## F

Filters .....	2
---------------	---

## H

Hydraulic Cylinders .....	42
Hydraulics .....	38

## I

Introduction .....	Inside Front Cover
--------------------	--------------------

## L

Loader Arm .....	36
------------------	----

## N

Numerical Index .....	81
-----------------------	----

## S

Schematics .....	77
------------------	----

## T

Table of Contents .....	1
-------------------------	---

# AL 406 - Numerical Index

Part No.	Page No.	Ref. No.	Part No.	Page No.	Ref. No.	Part No.	Page No.	Ref. No.
271331	37	33	272358	76	28	651521	38	9
271332	37	34	272380	39	28	651543	5	28
271334	37	35	540060	35	2	651624	24	25
271342	48	14	570021	5	24	651640	9	24
271342	49	19	613021	15	7	651659	5	29
271343	48	15	613021	47	17	651662	4	29
271343	49	20	613052	15	8	651662	54	20
271344	48	16	613052	36	13	651679	26	15
271344	49	21	613052	37	41	651681	54	21
271464	24	10	613052	42	7	651683	8	17
271524	40	26	613052	43	8	651689	9	27
271526	40	25	613052	44	7	651689	76	19
271611	5	44	613052	49	23	651690	18	24
271611	24	22	650448	4	19	651693	4	30
271636	40	24	650453	39	19	651693	5	30
271705	23	9	650488	18	21	651693	18	33
271708	37	32	650702	14	14	651693	26	10
271737	17	37	651065	4	20	651694	17	24
271874	24	23	651239	47	18	651694	18	25
271884	17	36	651400	4	21	651694	23	11
271890	5	21	651406	17	21	651694	24	27
271901	5	22	651419	14	17	651694	26	11
271948	5	23	651419	15	9	651695	4	31
271983	75	22	651421	8	19	651695	5	31
271997	4	16	651421	9	23	651695	15	10
271999	39	18	651423	18	22	651695	17	25
272000	76	18	651448	11	10	651695	18	26
272019	4	17	651448	14	18	651695	22	3
272020	4	18	651448	36	14	651695	24	28
272023	24	24	651448	47	19	651696	5	32
272057	37	36	651448	49	24	651698	11	11
272078	9	30	651449	5	27	651698	17	26
272212	21	6	651449	17	22	651698	33	34
272217	49	22	651449	49	25	651698	39	30
272223	21	7	651456	18	23	651698	75	11
272227	6	2	651456	26	9	651703	54	22
272259	17	41	651458	7	4	651705	4	32
272301	17	42	651483	39	20	651705	5	33
272325	6	1	651511	8	21	651705	8	13
272357	76	27	651521	26	22	651705	9	14

CLICK HERE TO **DOWNLOAD** THE COMPLETE MANUAL

- Thank you very much for reading the preview of the manual.
- You can download the complete manual from: [www.heydownloads.com](http://www.heydownloads.com) by clicking the link below



- Please note: If there is no response to CLICKING the link, please download this PDF first and then click on it.

CLICK HERE TO **DOWNLOAD** THE COMPLETE MANUAL