



930

MUSTANG SKID STEER LOADER

PARTS MANUAL

PART #000-67886
Revised September 2008

MUSTANG[®]
Mustang Manufacturing Company, Inc.

A GEHL Company

CLICK HERE TO **DOWNLOAD** THE COMPLETE MANUAL

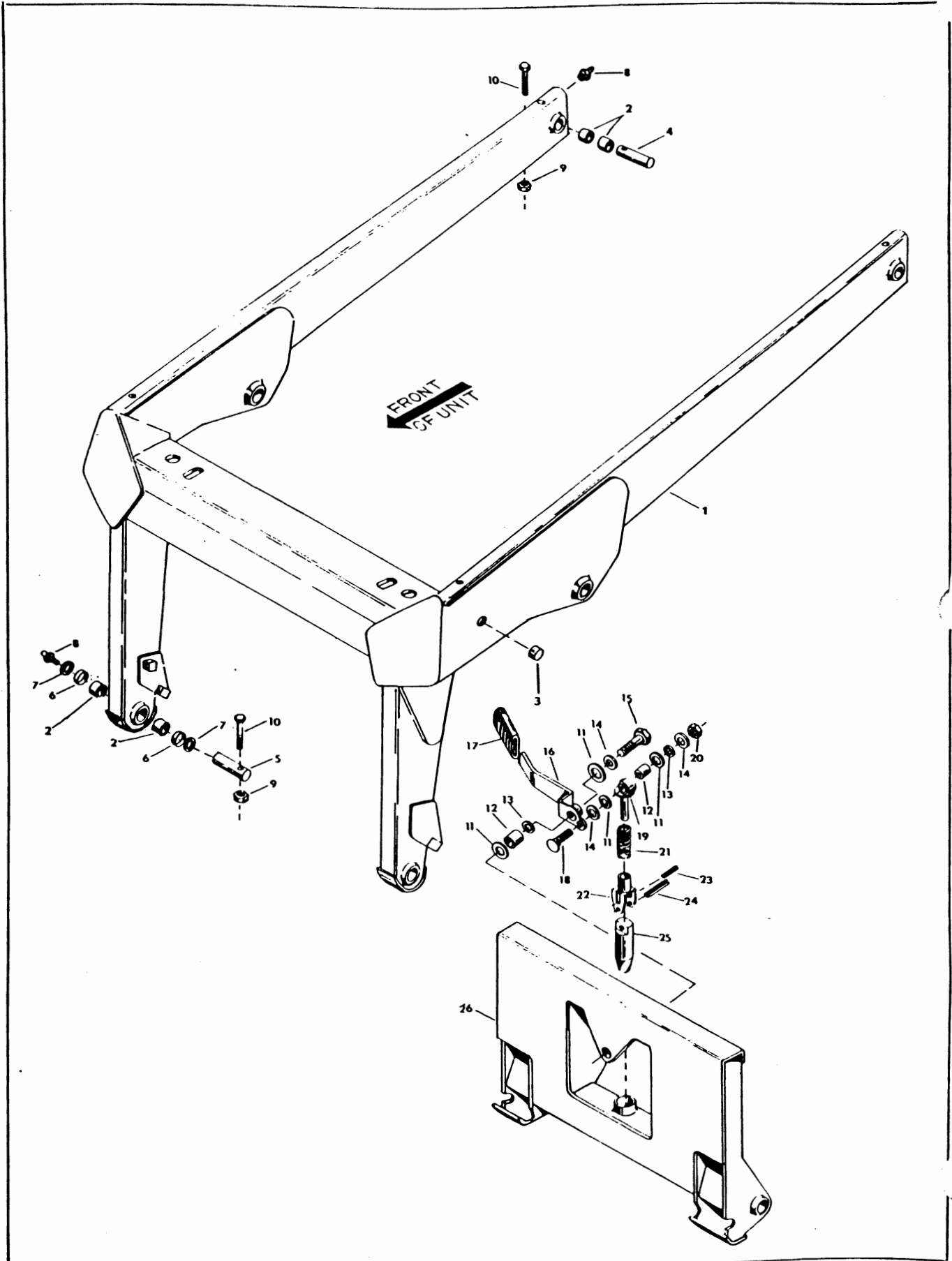
- Thank you very much for reading the preview of the manual.
- You can download the complete manual from: www.heydownloads.com by clicking the link below



- Please note: If there is no response to CLICKING the link, please download this PDF first and then click on it.

CLICK HERE TO **DOWNLOAD** THE COMPLETE MANUAL

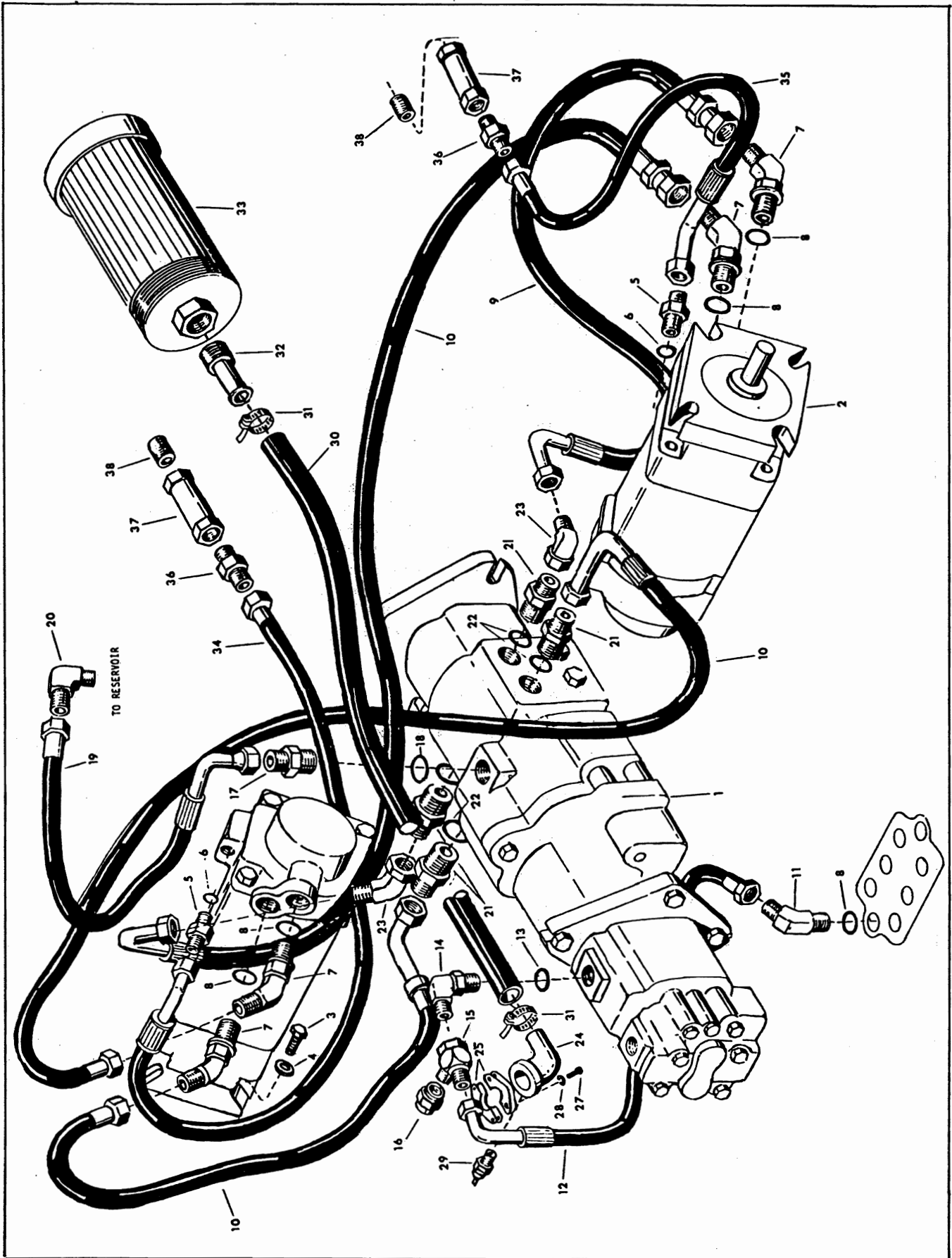
LIFT ARM AND FAST-A-TACH



BRAKES (STARTING SERIAL #9301900)

REF	QTY	PART NUMBER	DESCRIPTION
1	2	350-32511	Snap Ring
2	2	350-32505	Snap Ring
3	2	010-32405	Bearing Ball
4	2	160-32751	Motor Mount Weldment
5	8	310-32566	Screw Cap Socket Head 1/2-13NC x 1 1/4
6	2	350-32240	O-Ring
7	2	200-32598	Follower, Brake Cam
8	4	090-32310	Puck, Brake
9	2	090-32370	Brake Caliper Weldment
10	8	310-19475	Screw Cap Whizlock 3/8 - 16NC x 3/4
11	1	090-32369	Brake Cam Weldment
12	2	220-11823	Pin, Clevis 3/8 dia x 1 1/16
13	2	220-10095	Pin, Cotter 3/32 dia x 1
14	1	050-29354	Brake Cable Assembly R.H.
	1	050-29353	Brake Cable Assembly L.H.
15	2	040-33475	Motor and Brake Mount Weldment
16	2	335-11589	O-Ring
17	2	210-14888	Nut Hex Jam 3/4 - 10NC
18	2	310-20171	Screw Cap 3/4 - 10NC x 1 1/2
19	2	350-32484	O-Ring
20	2	370-32159	Sprocket, Motor 60 - C - 17
21	2	160-32755	Brake Disc Assembly
22	1	090-32359	Lever, Brake
23	3	210-18910	Nut Hex 5/16 - 18NC
24	2	360-13871	Spacer
25	3	400-18912	Washer Lock 5/16
26	2	Not Serviced	Spacer, Comes with item 22
27	2	Not Serviced	Clip, Comes with item 22
28	1	Not Serviced	Spacer, Comes with item 22
29	2	310-28049	Screw Cap 5/16 - 18NC x 2 1/4
30	3	220-19836	Pin, Cotter 1/16 dia x 3/4
31	2	Not Serviced	Pin, Clevis, Comes with item 22
32	1	Not Serviced	Pin, Clevis, Comes with item 22
33	2	Not Serviced	Link, Comes with item 22
34	4	210-32113	Nut Hex Flanged 1/2 - 13NC
35	1	310-19593	Screw Cap 5/16 - 18NC x 1 3/4
36	2	230-32579	Plug, Brake Disc Retainer

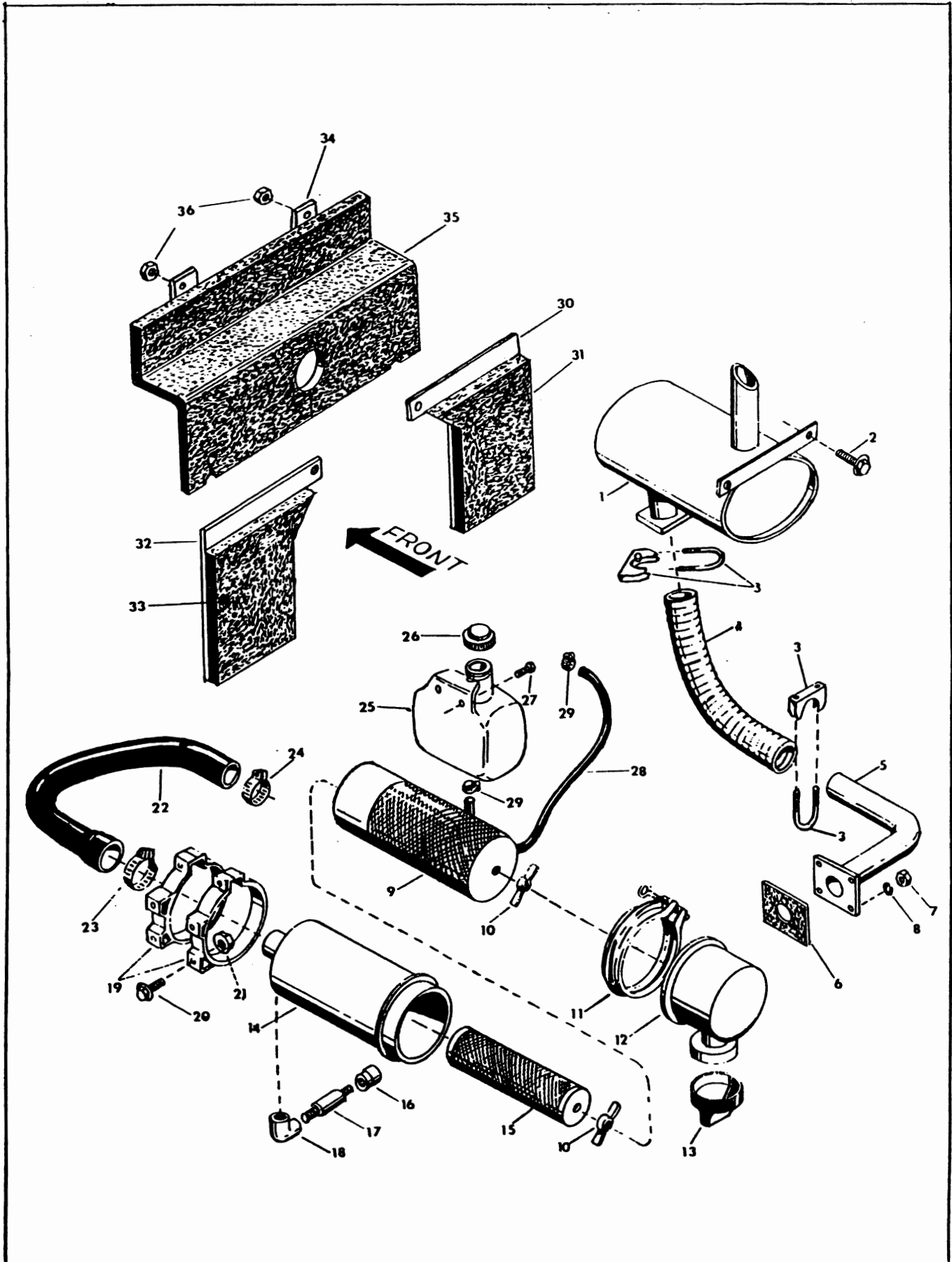
HYDROSTATIC PLUMBING STARTING SERIAL #9301900)



LIFT CIRCUIT PLUMBING

REF	QTY	PART NO	DESCRIPTION
1	2	170-33876	Hydraulic cylinder assembly (lift)
2	4	420-16024	Zerk, 90 degree, 1/8 NPT
3	2	230-32357	Swivel, elbow, Male 1/4 JIC - 3/8 NPT
4	2	220-32533	Pivot pin, rod end
5	2	220-32532	Pivot pin, base end
6	4	310-19539	Cap screw 3/8 - 16 NC x 2 1/2
7	2	230-20110	Elbow, male 1/4 JIC - 3/8 NPT
8	2	170-33879	Hydraulic line assembly
9	6	210-11247	Hex nut, centerlock 3/8 - 16 NC
10	2	420-19522	Hose clamp
11	4	170-33885	Hydraulic hose assembly
12	2	170-34125	Hydraulic line assembly
13	2	170-34123	Hydraulic hose and tube assembly
14	2	390-15909	Clip
15	1	230-18317	Straight connector 1/4 SAE to 1/4 JIC
16	1	230-32559	Straight connector long 1/4 SAE to 1/4 JIC
17	2	350-32423	O-Ring 1/4"

MUFFLER, AIR CLEANER & SOUND BARRIER

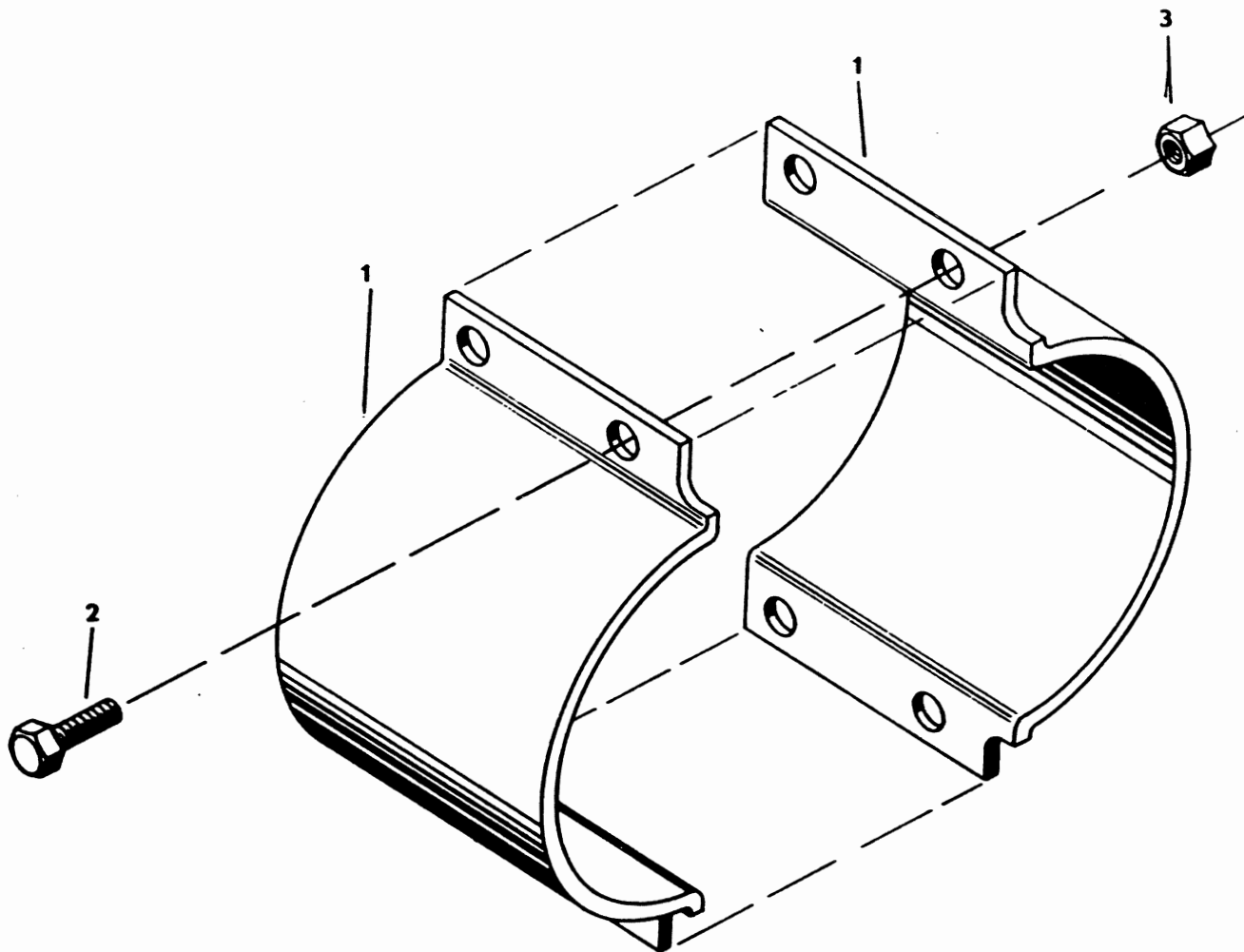


PALLET FORK

REF	QTY	PART NO	DESCRIPTION
		544-441	Pallet fork mounting frame, complete
1	1	120-32698	Mounting frame
2	2	390-32593	Removable guide
3	4	310-32411	Self-tapping screw, 3/8 - 16 NC x 3/4
4	1	320-32526	Mounting bar
5	2	310-19539	Cap screw 3/8 - 16 NC x 2 1/2
6	2	210-11247	Lock nut, 3/8 - 16 NC
7		544-243	Pallet fork 36" (set of 2)
		544-244	Pallet fork 40" (set of 2)
		544-245	Pallet fork, 46" (set of 2)
8	1	330-33263	Step plate
9	1	420-34282	Safety walk tape
10	4	310-19477	Screw, cap, whizlock 3/8 - 16 NC x 1 1/4
11	4	210-19434	Nut, whizlock 3/8 - 16 NC
12	2	040-33317	Removable stop
13	2	310-11155	Screw, cap 5/8 - 11 NC x 2 1/2
14	1	120-32699	Backrest for pallet fork
15	6	310-19477	Screw, cap, whizlock 3/8 - 16 NC x 1 1/4
16	6	210-19434	Nut, whizlock 3/8 NC

AXLE SEAL PROTECTOR

REF	QTY	PART NO.	DESCRIPTION
		546-096	Axle seal protector kit complete
1	8	330-33118	Guard, axle seal
2	16	310-19536	Cap screw 3/8 - 16NC x 1
3	16	210-11247	Nut hex centerlock 3/8 - 16NC



FRONT
OF UNIT -
VIEWED FROM
LEFT SIDE

CLICK HERE TO **DOWNLOAD** THE COMPLETE MANUAL

- Thank you very much for reading the preview of the manual.
- You can download the complete manual from: www.heydownloads.com by clicking the link below



- Please note: If there is no response to CLICKING the link, please download this PDF first and then click on it.

CLICK HERE TO **DOWNLOAD** THE COMPLETE MANUAL