



642

842

844

TELEHANDLER

PARTS MANUAL

For machines with the following serial numbers:

642; SN 80221 and before

842/844; SN 90209 and before

PART #913220

Revision E - January 2008



Mustang Manufacturing Company, Inc.

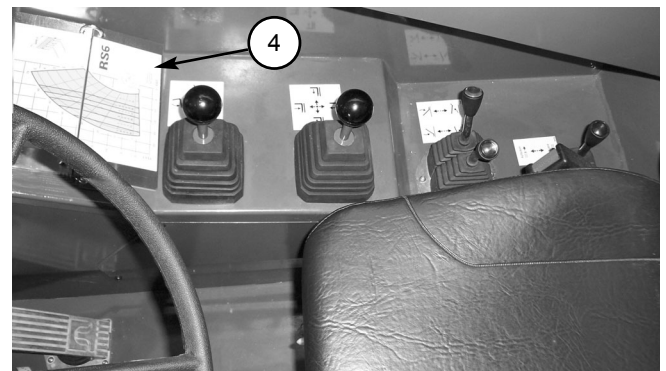
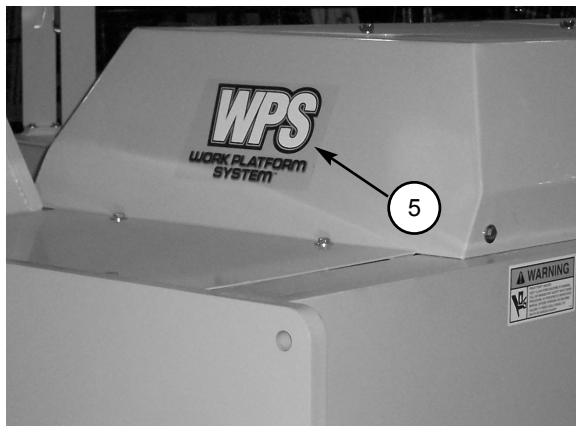
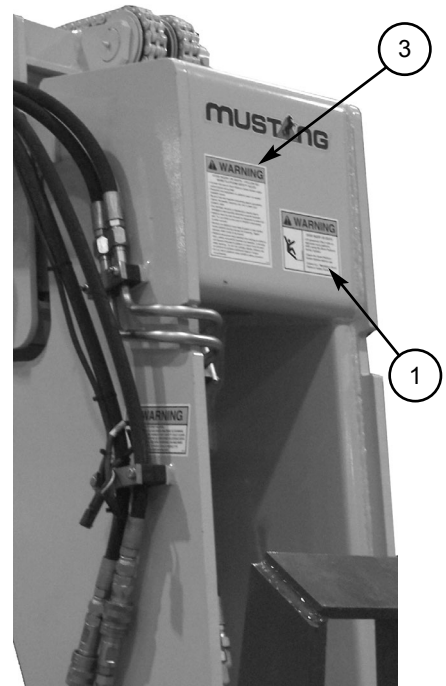
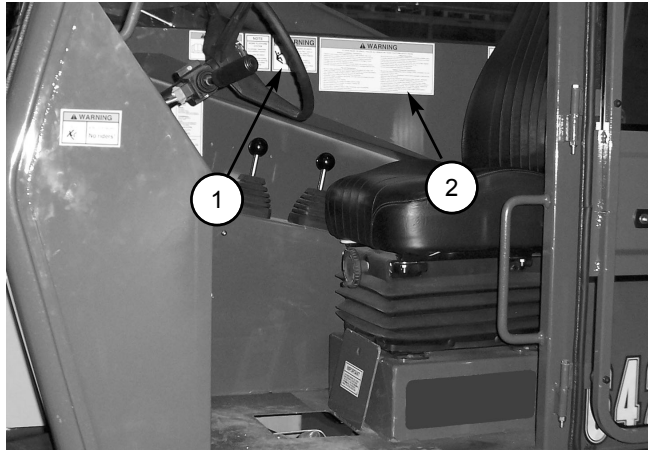
CLICK HERE TO **DOWNLOAD** THE COMPLETE MANUAL

- Thank you very much for reading the preview of the manual.
- You can download the complete manual from: www.heydownloads.com by clicking the link below



- Please note: If there is no response to CLICKING the link, please download this PDF first and then click on it.

CLICK HERE TO **DOWNLOAD** THE COMPLETE MANUAL



DECAL LOCATIONS - WPS-EQUIPPED UNITS

REF. NO.	DESCRIPTION	642 PART NO.	842 PART NO.	844 PART NO.
01	WARNING-PERSONNEL LIFT	L71554	L71554	L71554
02	WARNING-WORK PLATFORM RULES	L71555	L71555	L71555
03	PERSONNEL LIFT SAFETY RULES	L71700	L71700	L71700
04	WPS LOAD CHART	102929	104370	102939
05	WPS LOGO	103016	103016	103016

Cab Door

Ref. No.	Part No.	Description	Qty. Req.	Ref. No.	Part No.	Description	Qty. Req.
00	103014	CAB DOOR	1	16	L500036	HOLD OPEN/DOOR (SET)	1
		<i>(includes items 1-10, 12 and 15)</i>				<i>(includes item #18) [mounts to cab]</i>	
01	102874	WELDMENT, CAB DOOR FRAME .	1	17	650588	1/4"-20x1-1/2" BOLT	1
02	102705	BULB SEAL, DOOR FRAME	1	18	NSS	HOLD OPEN/DOOR STUD.	1
03	102680	GLASS, UPPER DOOR	1			<i>(included with item #16 as a set)</i>	
04	102681	GLASS, LOWER DOOR	1	19	101719	GLASS MOUNT	1
05	651638	5/16"-18X1-13/4" BUTTN HD BOLT	5	20	102948	HANDLE, EXT. DOOR LOCKING . .	1
06	651641	5/16" FLAT WASHER (BLACK)	5		101792	KEY ONLY	1
07	L500042	BUSHING, STEEL	8	21	102886	LATCH RELEASE, INTERIOR	1
08	L500021	GROMMET, 1/2"IDX1/4"GROOVE . . .	8		651635	1/4-20X1-1/4" FLAT HD SCREW . .	2
09	L500038	5/16"-18 ACCORN NUT (BLACK) . . .	8		L50202	1/4-20X5/8" BUTTN HD BOLT	1
10	651643	5/16"-18X2" BUTTN HD BOLT	3		651636	M6-1X12 8.8 BOLT.	2
11	650730	3/8"-16X5" BOLT	3		L500022	FLAT WASHER (BLACK)	1
12	102901	WELDMENT, DOOR HINGE	3		L520003	1/4"-20 NYLON INSERT NUT	2
13	N/A				L70069	1/2" HOLE PLUG	2
14	067847	3/8"-16 NYLON INSERT NUT	3	22	101436	STRIKER	1
15	102928	BUMPER, DOOR	1		654028	7/16" LOCK WASHER	1
					654046	7/16" FLAT WASHER	1
					L70979	7/16"-14 NUT	1

Seat

Ref. No.	Part No.	Description	Qty. Req.	Ref. No.	Part No.	Description	Qty. Req.
01	100135	SEAT, WITH ARM REST	1	10 ^a	100071	SEAT RISER	1
	L99454	ARMREST <i>(only)</i>	1	11	L50823	5/16"-18X1" BOLT	AR
02	L70634	SEAT BELT <i>(includes tethers)</i>	1	12 ^b	L68496	BELLOWS, SUSPENSION SEAT <i>(includes seatbelt / tether bracket)</i>	1
03	L510041	7/16"-20X1" BOLT	AR	13 ^c	103195	PEDESTAL / BOLT ON SEAT	1
04	L50196	7/16" FLAT WASHER	AR				
05	L50517	7/16"-20 NYLON INSERT NUT	AR				
06	L70212	BRACKET, TETHER	2				
07 ^a	L70201	MOUNT, SEAT BELT	1				
08	L50141	5/16" FLAT WASHER	AR				
09	L50056	5/6"-18 NYLON INSERT NUT	AR				

a Used for standard seat only. Not used with suspension seat option.

b Used for suspension seat option only.

c Early units had the seat pedestals welded in and were not removeable.

Outrigger (Option)

Ref. No.	Part No.	Description	Qty. Req.	Ref. No.	Part No.	Description	Qty. Req.
01	L50230	5/16"-18x3/4" BOLT	16	19	L64914	WLDMNT, OUTRIGGER PAD	2
02	L69725	CAP, PIN LOCK	4	20	L520005	3/8"-16 CNTR LOCK NUT	2
03	L70621	PIN, PIVOT	4	21	L50275	3/8"-16X3" BOLT	2
04	L69138	BUSHING	6				
05	L69724	CAP, PIVOT PIN	4				
06	L50385	3/4"-10X3" BOLT GR8	8				
07	L50084	3/4"-10 STOVER LOCK NUT "C"	8				
08	102566	WLDMNT, OUTRIGGER MNT	1	00	101658	DECAL, OUTRIGGER CONTROL	1
09	L68807	HOSE, -6 A8/DS8 54"	1	00	L10465	ZERK, GREASE 1/4-28 STR	AR
10	L68807	HOSE, -6 A8/DS8 54"	1				
11	L68807	HOSE, -6 A8/DS8 54"	1				
12	L68807	HOSE, -6 A8/DS8 54"	1				
13	L444004	ADAP, -8ORM -8JICM STR	4				
14	Note a	CYLINDER, OUTRIGGER	2				
15	L70618	BUSHING	2				
16	L70615	WLDMNT, OUTRIGGER LEG	2				
17	L70614	BUSHING	2				
18	L64963	PIN, PIVOT	2				

-- ITEMS NOT SHOWN --

00	101658	DECAL, OUTRIGGER CONTROL	1
00	L10465	ZERK, GREASE 1/4-28 STR	AR

a Refer to Hydraulic section for cylinder part number.

Note: Refer to Hydraulic section for more information regarding the outrigger control valve, hydraulic controller, cylinders and components.

HOSE LOCATOR

09	OUTRIGGER CYLINDER "LEFT SIDE" (extend)	OUTRIGGER VALVE LEFT SECTION (extend)
10	OUTRIGGER CYLINDER "LEFT SIDE" (retract)	OUTRIGGER VALVE LEFT SECTION (retract)
11	OUTRIGGER CYLINDER "RIGHT SIDE" (extend)	OUTRIGGER VALVE RIGHT SECTION (extend)
12	OUTRIGGER CYLINDER "RIGHT SIDE" (retract)	OUTRIGGER VALVE RIGHT SECTION (retract)

Note: For more information on hose routing for the outrigger option, refer to the Outigger - Main Valve / Controller pages located in the Hydraulic Section of this manual.

Hydraulic Tank Group

Ref. No.	Part No.	Description	Qty. Req.	Ref. No.	Part No.	Description	Qty. Req.
01	L64599	TUBE ASSEMBLY	1	28	L50403	3/8"-16X1-1/4" BOLT	4
02	103158	HOSE, -16 A16/A16 20"	1	29	P472566	ADAP, -20ORM -16JICM STR.	1
03	L62943	ADAP, -16JICM BLKHEAD 90.	1	30	L64856	ADAP, -16JICM -16JICFS 90	1
04	L50364	1/4"-20X1-1/2" BOLT	2	31 ^b	L445001	ADAP, -12ORM -12JICM 90	1
05	102525	PLATE, TOP CUSHION.	1	32 ^b	102813	HOSE, -12 A12/DS12 30"	1
06	102524	CLAMP, CUSHION TUBE	1	33	102964	O-RING, FILTER	1
07	P470472	FILL CAP ASSEMBLY	1	34	L97489	HYDRAULIC FILTER ELEMENT.	1
08	L50823	5/16"-18X1" BOLT	10	35	102965	SEAL KIT (<i>three o-rings</i>)	1
09	L50141	5/16" FLAT WASHER	10			(<i>includes item 33</i>)	
10	L65142	ACCESS COVER	1	36	L60653	ADAP, -6JICM -6JICFS 90	1
11	L65144	GASKET	1				
12	102194	HYDRAULIC TANK.	1				
13	L442023	ADAP, -24JICM 24NPTM 90	1				
14	L63309	HOSE, -24 A24/A24 35"	1				
15	102946	HOSE, -4 A6/DS6 18"	1				
16	L69904	HOSE, 4 A6/DS6 20"	1				
17	102843	HOSE, -4 A6/D6 35"	1	00	L72419	ADAP, 1-1/2" NPT 90 ELBOW	1
18	L63383	HOSE, -6 A6/DS8 52"	1	00	L61620	ADAP, 1-1/2" PIPE NIPPLE.	1
19	L445003	ADAP, -6ORM -6JICM 90 DEG.	2	00	L49327	STRAINER, HYD. OIL	1
20	L444002	ADAP, -6ORM -6JICM STR.	2				
21	L50261	3/8"-16X1-1/2" BOLT	2				
22	L50145	3/8" FLAT WASHER	2				
23	L65211	3/8"-16 RETAINED NUT	2	a		<i>Units not equipped with outriggers</i>	
24	L446025	PLUG, -8 ORING SAE.	1	b		<i>Units equipped with outriggers</i>	
25 ^a	L446047	PLUG, -12 ORING SAE.	1				
26	134756	SIGHT GLASS.	1				
27	101879	FILTER ASY.	1				
		(Includes items 33-35)					

-- ITEMS NOT SHOWN --

(located inside hydraulic tank)

HOSE LOCATOR

02	HYDRAULIC TUBE (<i>from hyd. tank</i>)	BULKHEAD <i>then</i> HYD. COOLER "UPPER"
14	HYDRAULIC TANK (<i>bottom</i>)	HYDRAULIC PUMP "IN"
15	HYDRAULIC TANK RETURN (<i>return manifold</i>)	FLOW DIVIDER "T"
16	HYDRAULIC TANK RETURN (<i>return manifold</i>)	PRIORITY VALVE "T"
17	HYDRAULIC TANK RETURN (<i>return manifold</i>)	JOYSTICK (<i>lift/extend controller</i>) "T"
18	HYDRAULIC TANK RETURN (<i>return manifold</i>)	STEER MOTOR "T"
32	HYDRAULIC TANK RETURN (<i>front</i>)	OUTRIGGER VALVE "OUT" (<i>return to tank</i>)

Air Intake Group (Later)

Ref. No.	Part No.	Description	Qty. Req.	Ref. No.	Part No.	Description	Qty. Req.
00	136383	AIR CLEANER ASSEMBLY.1 <i>(Includes 1-5)</i>	1	10	L51099	CLAMP, #52 SAE	AR
01	NSS	END CAP	1	11	183629	INDICATOR, RESTRICTION 30in. .	1
02	137659	EJECTOR/DUST	1	12	103271	ADAPTER, RUBBER W/TAP	1
03	137498	ELEMENT, PRIMARY	1	13	L68545	INTAKE TUBE	1
04	137501	ELEMENT, SECONDARY	1	14	102535	BRACKET	1
05	NSS	HOUSING, AIR CLEANER	1	15	L120041	90° RUBBER ELBOW, 3" DIA.	1
06	136443	CLAMP, AIR CLEANER MOUNT ..	1	-- OPTIONAL PRECLEANER --			
07	L64863	INLET HOOD/CAP	1	16	102974	REDUCER, 4" - 3"	1
08	L51781	ADJUST. CLAMP, #72	AR	17	L64864	90° RUBBER ELBOW, 4" DIA.	1
09	103088	REDUCER, 3.84" - 3.25"	1	18	101926	PRECLEANER	1

NOTE:
Items identified on this page are for machines with the following serial numbers:

642; S/N 80123 and UP
 842; S/N 90115 and UP
 844; S/N 90115 and UP

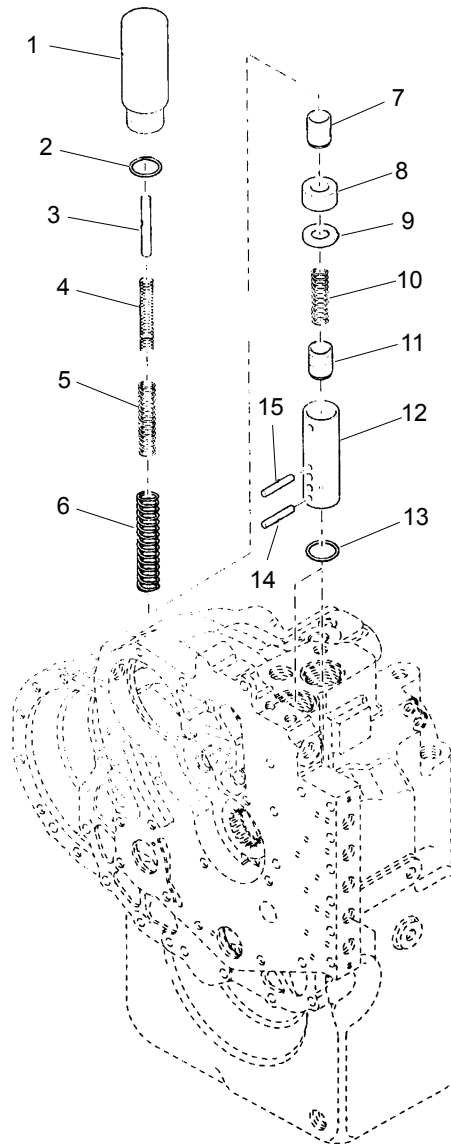
Case and Plate Group

Ref. No.	Part No.	Description	Qty. Req.	Ref. No.	Part No.	Description	Qty. Req.
01	NSS	CASE-TRANSMISSION	1	18	L99284	O-RING/PLUG	3
02	L94824	BREATHER/AIR	1	19	L99018	SCREW	7
03	L99251	PLUG	2	20	L99045	SCREW	2
		<i>(includes item 4)</i>		21	L99029	WASHER/LOCK	9
04	L99013	O-RING/PLUG	2	22	L98184	ASSY/TUBE & SCREEN	1
		<i>(part of item item 3)</i>		23	L99274	PLUG	1
05	L99253	PLUG/MAGNETIC DRAIN	1	24	L99246	PLUG	1
06	L98927	PIN/DOWEL PLATE TO CASE	2	25	L99262	PLUG	1
07	L98926	GASKET/PLATE TO CASE	1	26	L99270	PLUG	1
08	L98185	RING/TUBE SEAL	1	27	L98734	TUBE/TRANS DIPSTICK	1
09	L98176	CLIP/OIL TUBE RETAINER	1	28	L98735	TRANS DIPSTICK TUBE	1
10	102949	PLATE, SPACER	1	29	L99287	PLUG	2
11	L98935	SEAT/SAFETY VALVE	1	30	L99312	O-RING	2
12	L98932	SNAP RING	1	31	L99288	SCREW	2
13	L98226	POPPET/SAFETY VALVE	1	32	L99285	SCREW	1
14	L98218	SPRING	1	33	L99294	WASHER/SEAL	1
15	L98217	WASHER/POPPET	1	34	L99295	WASHER/SCREW	1
16	L99246	PLUG	1	35	L99296	NUT	1
17	NSS	PLUG	3				

Forward and Reverse Group

Ref. No.	Part No.	Description	Qty. Req.	Ref. No.	Part No.	Description	Qty. Req.
01	L98248	ASY/TURB SHFT DRUM & PLUG .	1	12	L98242	RETAINER.....	2
02	L98251	SLEEVE/OIL DISTRIBUTOR.....	1	13	L98241	RETAINER/SNAP RING	2
03	L98252	SCREW.....	1	14	L98240	CLUTCH/OUTER FWD.....	12
04	L98250	RING/PISTON.....	3	15	L98239	CLUTCH/INNER FWD.....	12
05	L99278	ASY/PISTON.....	2	16	L98236	BEARING.....	4
		<i>(includes items 6 and 7)</i>		17	L98235	WASHER/THRUST	8
06	L98246	SEAL/OUTER PISTON.....	2	18	L98249	BEARING/REAR	1
		<i>(part of item 5)</i>		19	L98253	BEARING/CLUTCH GEAR	4
07	L98247	SEAL/INNER PISTON.....	2	20	L98254	SPACER/CLUTCH GEAR.....	2
		<i>(part of item 5)</i>		21	L98962	ASSY/REV. AND BRG.....	1
08	L98238	PLATE/END.....	2			<i>(includes items 19 and 20)</i>	
09	L98237	RING/SNAP.....	2	22	L98255	ASSY/FOR. GEAR AND BRG.	1
10	L98244	PLATE/WEAR.....	2			<i>(includes items 19 and 20)</i>	
11	L98961	ASY/DISC SPRING Pkg 5.....	2				

Modulation Valve Group



Ref. No.	Part No.	Description	Qty. Req.	Ref. No.	Part No.	Description	Qty. Req.
01	L98291	HOUSING MODULATOR VALVE	2	09	L98301	SPACER	2
02	L98292	O-RING	2	10	L98300	SPRING	2
03	L98293	PIN STOP	2	11	L98958	SPOOL	2
04	L98294	SPRING INNER	2	12	L98298	SLEEVE-MODULATION VALVE	2
05	L98295	SPRING MIDDLE	2	13	L98307	O-RING	2
06	L98304	SPRING OUTER	2	14	L98957	PIN-LOWER	2
07	L98303	SPOOL ACCUMULATOR	2	15	L98956	PIN-UPPER	2
08	L98302	RETAINER	2				

Outer End / Front and Rear Axle

Ref. No.	Part No.	Description	Qty. Req.	Ref. No.	Part No.	Description	Qty. Req.
NOTE: All quantities are per axle				27	102599	SEAL	2
01	L500483	NUT	2	28	102600	BEARING	4
02	102581	BOLT	2	29	102601	WHEEL STUD	20
03	102582	AXLE CASE	2	30	102602	WHEEL HUB	2
04	102584	STUD	24	31	102603	O-RING	2
05	L500487	WASHER	32	32	102604	RING GEAR	2
06	L500488	REDUCTION BUSHING (incl. 7, 8, 10 and 42)	2	33	102605	RING GEAR SUPPORT	2
07	L500489	SEAL	2	34	102606	CIRCLIP	6
08	L98371	BALL BEARING	2	35	102607	DIFFERENTIAL PINION	6
09	L98372	CIRCLIP	2	36	L500515	COUNTERSUNK BOLT	4
10	L500490	O-RING	2	37	102900	BEARING	6
11	102586	SHAFT ASSEMBLY	2	38	L500517	STUD	20
12	102588	THRUST BUSHING	2	39	L500518	NUT	20
13	102589	BUSHING	2	40	102608	CIRCLIP	2
14	L500467	BOLT	12	41	102609	LOCKING PLATE	2
15	102893	STUD	8	42	L98373	CIRCLIP	2
16	L500496	PLUG	4	43	102610	SHIM	2
17	L98355	GREASE FITTING	4		102611	SHIM	2
18	102590	PIVOT PIN	2		102612	SHIM	2
19	102591	PIVOT PIN	2	44	L98417	O-RING	2
20	102592	DUST EXCLUDER	4	45	102614	STUD	8
21	102593	BEARING	2	46	102615	NUT	32
22	102594	STEERING CASE (LF and RR) . . . (includes item 12)	1	47	102438	STEERING ADJUST BOLT ASY . . .	4
23	102595	SEAL	2	48	102616	PLANET GEAR CARRIER	2
24	102576	MAGNET PLUG	2	49	L69734	WHEEL NUT	20
25	102575	PLUG	4	50	102583	WASHER	8
26	102598	STEERING CASE (RF and LR) . . . (includes item 12)	1	51	102587	NUT	8
				52	102896	HEXAGON BOLT	4
				53	102899	BEARING	6

Intermediate Boom - Front Section

Ref. No.	Part No.	Description	Qty. Req.	Ref. No.	Part No.	Description	Qty. Req.
01		INTERMEDIATE WELDMENT.....	1	06	L64143	1/2"X3"X4" SHIM.....	2
	102282	42' boom models		07	L50367	3/8"-16X1" BOLT.....	8
	102285	44' boom models		08	L50147	3/8" LOCK WASHER.....	8
02	L62715	FLAT-BOLT LOCK.....	6	09	L61709	SLIDE PAD.....	6
03	L50261	3/8"-16X1-1/2" BOLT.....	4	10	L61708	SLIDE PAD.....	2
04	L62733	1/16"X3"X4" SHIM.....	6	11	L50251	3/8"-16X3/4" BOLT.....	8
05	L62734	1/8"X3"X4" SHIM.....	2				

CLICK HERE TO **DOWNLOAD** THE COMPLETE MANUAL

- Thank you very much for reading the preview of the manual.
- You can download the complete manual from: www.heydownloads.com by clicking the link below



- Please note: If there is no response to CLICKING the link, please download this PDF first and then click on it.

CLICK HERE TO **DOWNLOAD** THE COMPLETE MANUAL

Inner Boom - Rear Section

Ref. No.	Part No.	Description	Qty. Req.	Ref. No.	Part No.	Description	Qty. Req.
01	L61709	SLIDE PAD	4	07	L66780	SLIDE PAD	2
02	L62733	0.06X3X4 SHIM.....	4	08	L66782	0.06X3X8" SHIM.....	AR
03	L62715	FLAT-BOLT LOCK	AR	09	L66783	0.105X3X8" SHIM	2
04	L50367	3/8-16X1" BOLT	AR	10	L50836	3/8-16X1-3/4" BOLT	8
05	L64467	PIN, CHAIN REAR LOW INNER...	1	11	L50251	3/8-16X3/4" BOLT	4
06	L560003	3/32"X1-1/4" COTTER PIN	2				

Lift Cylinder Group

Ref. No.	Part No.	Description	Qty. Req.	Ref. No.	Part No.	Description	Qty. Req.
01	Note a	LIFT CYLINDER	2	17	L445001	ADAP, -12ORM -12JICM.	2
02	L50313	5/8"X1-1/2" BOLT GR5	4	18 ^c	103841	PIN, LIFT CYL.. w/SHOULDER.	1
03	L64590	WASHER, PIN RETAINER	4				
04	L64591	SPACER	8				
05	L97885	SNAP RING	AR				
06	L97884	BEARING, SPHERICAL	AR				
07 ^b	103841	PIN, LIFT CYL.	2				
08	102856	HOSE, -8 A8/A12 88"	1				
09	102855	HOSE, -8 A8/A12 66"	1				
10	102855	HOSE, -8 A8/A12 66"	1				
11	102856	HOSE, -8 A8/A12 88"	1				
12	L445002	ADAP, -8ORM -8JICM 90 DEG.	4				
13	L66392	PIN, ECCENTRIC	4				
14	L50143	5/16" LOCK WASHER.	6				
15	L50245	5/16"-24X1" GR5 BOLT.	6				
16	L446019	ADAP, -12 SWVL TEE.	2				

- a Refer to Hydraulic section for cylinder part number.
- b Early units use a straight pin with washers and bolts on both sides of pin; this is replaced by item 18. The replacement pin has a shoulder on one end, and does not require washer, spacer or bolt on the outside to retain the pin.
- c Directly replaces older straight pin, which used spacer, washer and bolt to retain pin.

HOSE LOCATOR

08	LEFT LIFT CYLINDER "LEFT SIDE" (retract)	MAIN VALVE (3rd section - right side [retract])
09	LEFT LIFT CYLINDER "RIGHT SIDE" (extend)	MAIN VALVE (3rd section - left side [extend])
10	RIGHT LIFT CYLINDER "LEFT SIDE" (retract)	MAIN VALVE (3rd section - right side [retract])
11	RIGHT LIFT CYLINDER "RIGHT SIDE" (extend)	MAIN VALVE (3rd section - left side [extend])

Rotating Carriage

48" - Attachment SN 14031 and up
66" - Attachment SN 14290 and up

Ref. No.	Part No.	Description	Qty. Req.	Ref. No.	Part No.	Description	Qty. Req.
01		CARRIAGE, ROTATING	1	15	L50145	3/8" FLAT WASHER	AR
	103517	(48" Carriage) 2" dia. fork shaft		16	101003	ROTATOR PIN	1
	103518	(66" Carriage) 2" dia. fork shaft		17	L50801	3/8"X4" BOLT	1
02	L50982	1/2"X4" BOLT	1	18	101999	ROTATOR PLATE WELDMENT . . .	1
03	L65181	PIN, ROTATOR ROD END	1	19	L61709	SLIDE PAD	3
04	L61307	SPACER	4	20	L50147	3/8" LOCK WASHER	6
05	L65273	QUICK COUPLER SET	1	21	L50261	3/8"X1-1/2" BOLT	6
06	L444004	ADAP -8ORM -8JICM STR	2	22	L50718	2-1/2"-12 CASTELL NUT	1
07	L64294	HOSE -8 A8/A8 53"	2	23	L520019	1/2"-13 NYLON INSERT NUT	4
08	L50273	3/8"X2-3/4" BOLT	3	24	L400425	FORK SHAFT WASHER (2" ID) . . .	2
09	L520005	3/8"-16 NYLON INSERT NUT . . .	AR	25	L510003	BOLT, 1/2"X2-3/4"	2
10	L62026	LOCK COLLAR 1.5" OD	2			(2" dia. shaft)	
11	L66017	ADAP -8ORM -8JICM 90 w/ORF. . .	2	26		FORK SHAFT BAR	1
12	L70655	ROTATE CYLINDER	1		L65223	(48" Carriage) 2" dia. fork shaft	
13	L66017	ADAP -8ORM -8JICM 90 w/ORF. . .	2		L64561	(66" Carriage) 2" dia. fork shaft	
14	L65180	PIN, ROTATOR BASE END	1				

Log/Pipe Carriage

Ref. No.	Part No.	Description	Qty. Req.	Ref. No.	Part No.	Description	Qty. Req.
01	L67347	LOG GRAPPLE WELDMENT	1	15	L67248	LOG GRAPPLE CYLINDER	1
02	L50371	3/8"X2-1/2" BOLT	2	16	L50561	5/16"-18X1-3/4" BOLT	2
03	L520005	3/8"-16 NYLON INSERT NUT	6	17	L66831	HOSE -6 A6/A6 52"	2
04	L67246	LOG GRAPPLE PIVOT PIN	2	18	L63143	ADAP -8ORM -6JICM w/ORF	2
05	L61866	BUSHING	2	19 ^a	NSS	COUPLER, FEMALE	1
06	L10057	1/4-28 GREASE ZERK 90 DEG	2	20 ^a	NSS	COUPLER, MALE	1
07	L520003	1/4" NYLON INSERT NUT	2	21	L50143	5/16" LOCKWASHER	2
08	L66811	GRAPPLE CYLINDER PIN	2	22	L444002	ADAP -6ORM -6JICM	2
09	L63593	BUSHING	2	23	L65689	VALVE, DOUBLE PORT CHECK	1
10	L50452	1/4X2-1/4" BOLT	2	24	L500220	LOG CARRIAGE WELDMENT	1
11	L445003	ADAP -6ORM -6JICM 90 DEG	4	25	L50275	3/8"-16X3" BOLT	4
12	L67495	CYLINDER COVER	1	26	L66809	LOG FORK SHAFT	2
13	L67598	HOSE -4 A6/A6 32"	1	27		LOG FORK WELDMENT	2
14	L67599	HOSE -4 A6/A6 20"	1		L66805	2"x5"x48"	
					100547	2"x5"x60"	

a Order P/N L65273 Coupler Set.

Steer Motor and Valve Group

Ref. No.	Part No.	Description	Qty. Req.	Ref. No.	Part No.	Description	Qty. Req.
01	101880	STEER MOTOR	1	13	L444002	ADAP, -6ORM -6JICM STR.....	2
02	L51591	ADAP, -4ORM -4JICM 90°	1	14	L50535	1/4"-20X3" BOLT	2
03	L444004	ADAP, -8ORM -8JICM STR.	3	15	102848	HOSE, -6 A6/A8 48"	1
04	L64524	VALVE, CHECK	1	16	L69936	HOSE, -6 A6/A8 100"	1
05	L63383	HOSE, -6 A6/DS8 52"	1	17	L69936	HOSE, -6 A6/A8 100"	1
06	102835	HOSE, -6 A8/DS8 50"	1	18	L64660	ADAP, -8ORM -8JICM TEE.....	1
07	102846	HOSE, -6 A6/DS8 58"	1	19	L51591	ADAP, -4ORM -4JICM 90°	1
08	102847	HOSE, -6 A8/DS8 82"	1	20	L69904	HOSE, -4 A6/DS6 20"	1
09	102837	HOSE, -4 A4/A4 52"	1	21	L444012	ADAP, -6ORM -4JICM STR.	1
10	L50051	1/4"-20 WHIZ LOCK NUT	2	22	104132	PRIORITY VALVE	1
11	L69747	VALVE, STEER SELECT	1	23	L50056	5/16-18 WHIZ LOCK NUT.....	2
12	L445003	ADAP, -6ORM -6JICM 90°	2	24	102836	HOSE, -6 A8/DS6 19"	1

Controls - Auxiliary Hydraulic Option

Ref. No.	Part No.	Description	Qty. Req.	Ref. No.	Part No.	Description	Qty. Req.
01	102784	CONTROLLER, TILT/LEVEL	1	08	L69903	HOSE, -4 A6/DS6 17"	1
02	102434	CONTROLLER, LIFT/EXTEND	1	09	L68804	HOSE, -4 A6/DS6 26"	1
03	L444002	ADAP, -6ORM -6JICM STR	AR	10	L69903	HOSE, -4 A6/DS6 17"	1
04	L446049	ADAP, -6 SWIVEL RUN TEE	AR	11	102786	HOSE, -4 A6/A6 54"	1
05	L60653	ADAP, -6JICM -6JICFS 90°	AR	12	102843	HOSE, -4 A6/DS6 35"	1
06	L445003	ADAP, -6ORM -6JICM 90°	AR	13	102313	MANIFOLD, JOYSTICK RELIEF	1
07	L68804	HOSE, -4 A6/DS6 26"	1	14	102435	CONTROLLER, AUX. HYD	1

Controls - WPS and Aux. Hydraulic Option

Ref. No.	Part No.	Description	Qty. Req.	Ref. No.	Part No.	Description	Qty. Req.
01	102784	CONTROLLER, TILT/LEVEL.....	1	10	L69903	HOSE, -4 A6/DS6 17"	1
02	102434	CONTROLLER, LIFT/EXTEND.....	1	11	102786	HOSE, -4 A6/A6 54"	1
03	L444002	ADAP, -6ORM -6JICM STR.....	AR	12	102843	HOSE, -4 A6/DS6 35"	1
04	L446049	ADAP, -6 SWIVEL RUN TEE.....	AR	13	102313	MANIFOLD, JOYSTICK RELIEF...	1
05	L60653	ADAP, -6JICM -6JICFS 90°.....	AR	14	102321	MANIFOLD, WPS JOYSTICK.....	1
06	L445003	ADAP, -6ORM -6JICM 90°.....	AR	15	L63381	HOSE, -4 A6/A6 15"	1
07	L68804	HOSE, -4 A6/DS6 26"	1	16	102435	CONTROLLER, AUX. HYD.....	1
08	102786	HOSE, -4 A6/A6 54"	1	17	102946	HOSE, -6 A6/DS6 18"	1
09	L68804	HOSE, -4 A6/DS6 26"	1				

Controls - All Options with WPS and Radio Remote

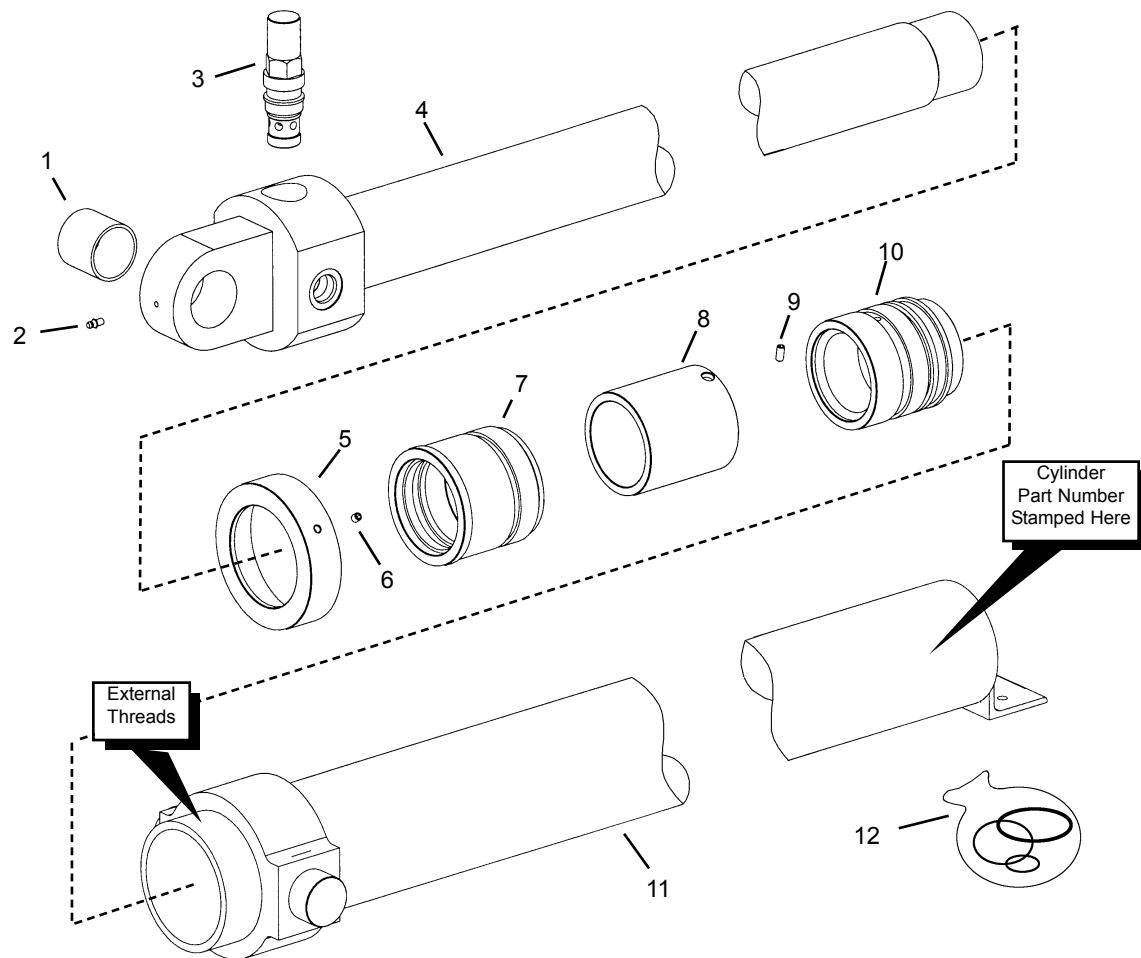
Ref. No.	Part No.	Description	Qty. Req.	Ref. No.	Part No.	Description	Qty. Req.
01	102784	CONTROLLER, TILT/LEVEL	1	12	102843	HOSE, -4 A6/DS6 35"	1
02	102434	CONTROLLER, LIFT/EXTEND	1	13	102313	MANIFOLD, JOYSTICK RELIEF	1
03	L444002	ADAP, -6ORM -6JICM STR	AR	14	102321	MANIFOLD, WPS JOYSTICK	1
04	L446049	ADAP, -6 SWIVEL RUN TEE	AR	15	L63381	HOSE, -4 A6/A6 15"	2
05	L60653	ADAP, -6JICM -6JICFS 90°	AR	16	L69903	HOSE, -4 A6/DS6 17"	1
06	L445003	ADAP, -6ORM -6JICM 90°	AR	17	L69903	HOSE, -4 A6/DS6 17"	1
07	L68804	HOSE, -4 A6/DS6 26"	1	18	102435	CONTROLLER, AUX. HYD	1
08	102786	HOSE, -4 A6/A6 54"	1	19	102436	CONTROLLER, OUTRIGGERS	1
09	L68804	HOSE, -4 A6/DS6 26"	1	20	102946	HOSE, -6 A6/DS6 18"	1
10	L69903	HOSE, -4 A6/DS6 17"	1	21	L69906	HOSE, -6 A6/A6 110"	1
11	102786	HOSE, -4 A6/A6 54"	1	22	L69905	HOSE, -6 A6/A6 130"	1
				23	103505	HOSE, -4 H6/A6 109"	1

HOSE LOCATOR

21	WPS VALVE "JI" PORT	RADIO REMOTE MANIFOLD "P" PORT
22	TEE ON FLOWDIVIDER "T" PORT	RADIO REMOTE MANIFOLD "T" PORT
23	CONNECTS TO "P" HOSE	RADIO REMOTE MANIFOLD "JS" PORT

Boom Extend Cylinder

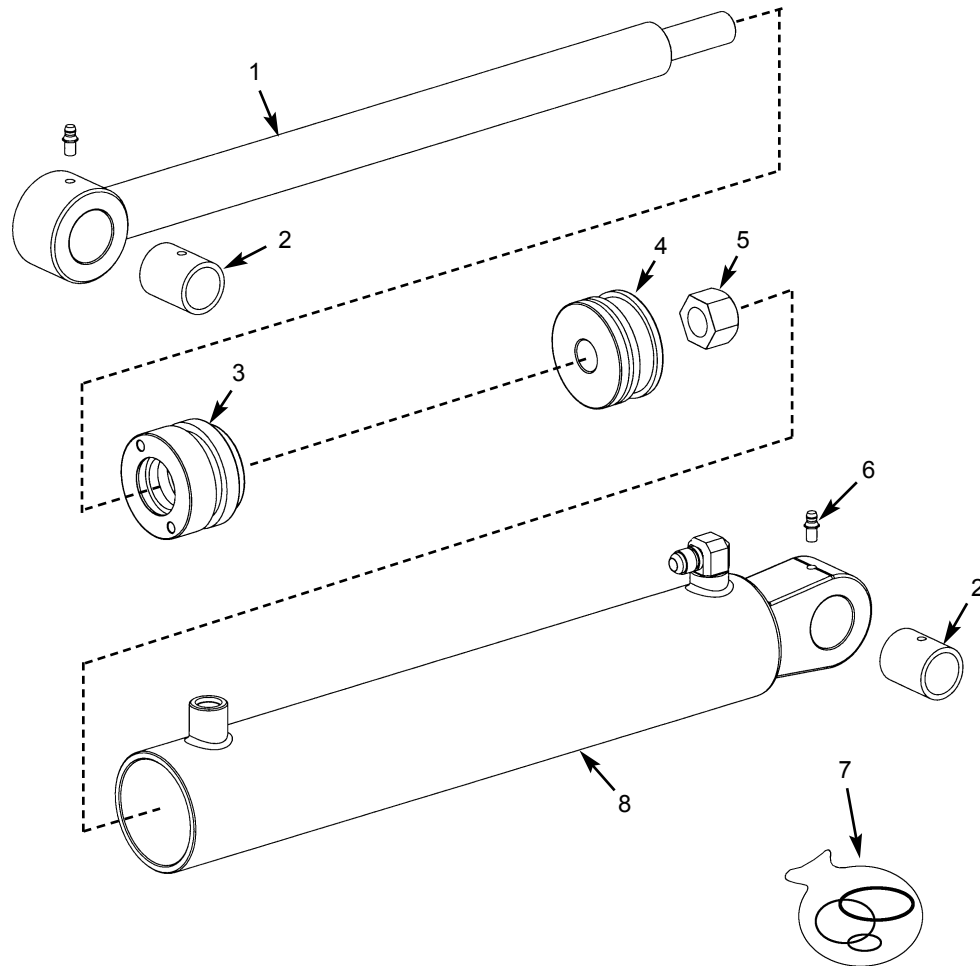
(Cylinder is stamped with P/N 102543 or 102544)



Ref. No.	Part No.	Description	Qty. Req.	Ref. No.	Part No.	Description	Qty. Req.
00		COMPLETE ASSEMBLY.....	1	06	L99879	5/16-18X5/16" SET SCREW.....	1
	102543	<i>Note a</i>		07	L99053	HEAD GLAND.....	1
	102544	<i>Note b</i>		08	102890	ROD SPACER.....	1
01	L64367	BUSHING (ROD END).....	1	09	L99875	5/16-18X5/8" SET SCREW.....	1
02	L10465	1/4"-28 GREASE ZERK.....	1	10	L99874	PISTON.....	1
03	L70274	COUNTER BALANCE VALVE.....	1	11	NSS	CYLINDER TUBE WELDMENT ...	1
	L99943	CBAL VALVE SEAL KIT.....	1	12 ^c	L99873	CYLINDER SEAL KIT.....	1
04		ROD WELDMENT.....	1				
		<i>(includes item #1)</i>					
	L99881	<i>Note a</i>		<i>a</i>		42' Boom	
	102889	<i>Note b</i>		<i>b</i>		44' Boom	
05	L500582	HEAD GLAND CAP.....	1	<i>c</i>		Items included in the seal kit are not shown.	

NOTE: Check the part number stamped on the cylinder before ordering parts or a replacement cylinder.

Swing Carriage Cylinder



Ref. No.	Part No.	Description	Qty. Req.	Ref. No.	Part No.	Description	Qty. Req.
00	L63970	COMPLETE ASSEMBLY.....	1	06	L10465	1/4"-28 GREASE ZERK.....	2
01	L500364	ROD WELDMENT.....	1	07 ^a	L99944	SEAL KIT.....	1
02	L63593	BUSHING.....	2	08	NSS	TUBE WELDMENT.....	1
03	L500365	HEAD GLAND.....	1				
04	L98662	PISTON.....	1				
05	080319	3/4"-16 LOCKNUT.....	1				

^a Items included in the seal kit are not shown.

Radio Remote Manifold (Option)

Ref. No.	Part No.	Description	Qty. Req.	Ref. No.	Part No.	Description	Qty. Req.
00	103413	COMPLETE VALVE	1				
		<i>(includes all items shown and listed)</i>				-- ITEMS NOT SHOWN --	
01	103508	2/4 WAY SOLENOID VALVE	1	00	103514	SHUTTLE VALVE	4
	103511	SEAL KIT FOR VALVE	1		103513	SEAL KIT FOR VALVE	AR
02	103510	12 VDC COIL (DIN CONN.)	5				
03	103509	PROPORTIONAL PRESS. VALVE	4				
	103512	SEAL KIT FOR VALVE	AR				
04	NSS	MANIFOLD	1				

Controller - Lift / Extend

Ref. No.	Part No.	Description	Qty. Req.	Ref. No.	Part No.	Description	Qty. Req.
00	102434	HYD. CONTROLLER <i>(Complete)</i>	1	07	103079	METERING CURVE <i>(as shown)</i>	4
01	103122	KNOB	1	08	103080	RETURN SPRING	4
02	103112	LEVER ROD <i>(as shown)</i>	1	09 ^a	103117	SEAL KIT	1
03	103113	BOOT	1				
04	103114	SELECTOR DISC	1				
05	103115	PIVOT/ BALL JOINT	1				
06	103116	PLATE /BOOT MOUNT	1				

a Items included in seal kit are not shown.

Part No.	Page No.	Ref. No.	Part No.	Page No.	Ref. No.	Part No.	Page No.	Ref. No.	Part No.	Page No.	Ref. No.
103510	219	02	104303	47	17	104993	198	04	137634	6	09
103511	219	02	104362	7	18	104994	196	08	137659	59	02
103512	219	03	104363	6	10	104995	198	00	140516	8	05
103513	219	00	104364	8	07	104996	198	00	167753	5	00
103514	219	00	104365	8	07	104999	194	05	167754	5	00
103517	139	01	104366	8	07	105000	196	05	167763	5	00
103518	139	01	104367	8	07	105001	198	08	167765	5	00
103626	55	06	104368	8	07	105002	202	04	183629	59	11
103674	11	03	104369	8	07	105003	192	03	650416	145	22
103744	53	00	104370	9	04	105006	194	04	650500	145	02
103771	8	07	104374	5	00	105007	196	06	650711	105	02
103771	147	00	104375	5	00	105008	198	06	650711	123	11
103772	8	08	104379	192	00	105009	202	03	650833	143	11
103772	147	00	104380	194	00	105010	196	07	651543	91	15
103788	95	17	104381	202	00	105022	198	05	651639	17	09
103841	129	07	104382	200	00	105023	198	07	651641	17	08
103841	129	18	104383	198	00	105024	196	03	654028	55	00
103853	45	29	104384	198	00	105025	194	03	L10057	115	01
103862	55	00	104385	196	00	105026	194	00	L10057	127	06
103875	45	28	104386	204	00	105027	194	00	L10057	149	06
103892	47	05	104425	65	01	105028	194	08	L10057	201	09
103905	155	01	104428	31	01	105029	200	08	L10465	35	10
103906	147	11	104428	31	02	105030	192	09	L10465	39	00
103906	155	02	104428	33	01	105031	198	10	L10465	115	21
103907	147	13	104428	33	04	105032	198	10	L10465	121	02
103907	155	03	104431	95	18	105033	196	11	L10465	198	02
103908	147	12	104467	147	14	105034	202	09	L10465	199	02
103908	155	04	104468	147	08	105035	204	09	L10465	201	01
103909	147	10	104469	147	05	105036	196	04	L10465	203	14
103909	155	05	104470	147	00	105036	202	05	L10465	205	02
103910	147	00	104471	147	04	105087	215	11	L10465	209	06
103910	155	06	104472	147	09	105149	17	00	L120021	57	00
103911	147	00	104474	147	07	105176	145	01	L120022	57	07
103911	155	00	104475	147	06	105177	145	20	L120037	4	00
103991	47	19	104476	147	03	105178	145	25	L120037	57	01
104022	33	11	104477	147	02	105179	145	05	L120041	57	17
104024	55	00	104478	147	01	105180	145	04	L120041	59	15
104064	51	00	104675	53	07	105181	145	16	L120047	61	05
104078	51	03	104688	11	00	105182	145	26	L400207	105	07
104132	157	07	104812	204	02	105184	145	24	L400207	115	02
104132	159	22	104813	194	02	105185	145	07	L400207	123	10
104132	214	00	104813	204	07	105186	145	21	L400398	151	14
104133	214	01	104820	192	08	105187	145	18	L400425	135	03
104222	45	30	104820	193	11	105188	145	17	L400425	137	03
104225	45	32	104820	216	02	105189	145	19	L400425	139	24
104231	95	05	104950	21	00	105190	145	26	L400425	141	02
104245	192	01	104951	21	00	105236	27	07	L400425	143	02
104251	192	10	104952	21	00	134756	49	26	L400929	133	05
104260	192	04	104973	13	20	136305	25	06	L40496	27	03
104260	200	04	104974	13	19	136383	59	00	L40805	63	00
104260	204	04	104985	53	00	136443	59	06	L41179	55	02
104265	200	03	104987	194	01	137498	4	00	L41260	27	01
104265	204	03	104988	200	01	137498	59	03	L41261	27	02
104270	198	01	104989	204	01	137501	4	00	L41847	21	00
104273	192	05	104990	202	01	137501	59	04	L41847	45	00
104273	200	05	104991	196	01	137503	25	09	L41848	21	18
104273	204	05	104992	198	04	137632	6	04	L41854	47	14

CLICK HERE TO **DOWNLOAD** THE COMPLETE MANUAL

- Thank you very much for reading the preview of the manual.
- You can download the complete manual from: www.heydownloads.com by clicking the link below



- Please note: If there is no response to CLICKING the link, please download this PDF first and then click on it.

CLICK HERE TO **DOWNLOAD** THE COMPLETE MANUAL