



332

MUSTANG SKID STEER LOADER

PARTS MANUAL

PART #000-23836 Revision B

Revision I – July 1985

Revision II – June 1986

Revision III – March 1988

Revision IV – May 2008

This manual should be used in conjunction with
332 Parts Manual No. 000-13893 for units with
Yanmar Diesel Engine and Vickers Hydrostat,
Starting Serial No. 9201000.

MUSTANG[®]
Mustang Manufacturing Company, Inc.
A GEHL Company

CLICK HERE TO **DOWNLOAD** THE COMPLETE MANUAL

- Thank you very much for reading the preview of the manual.
- You can download the complete manual from: www.heydownloads.com by clicking the link below



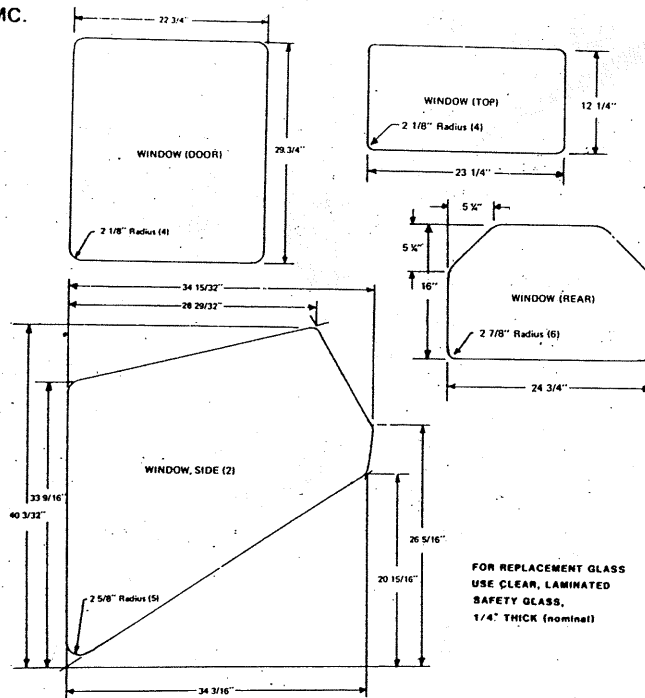
- Please note: If there is no response to CLICKING the link, please download this PDF first and then click on it.

CLICK HERE TO **DOWNLOAD** THE COMPLETE MANUAL

R.O.P.S. – F.O.P.S

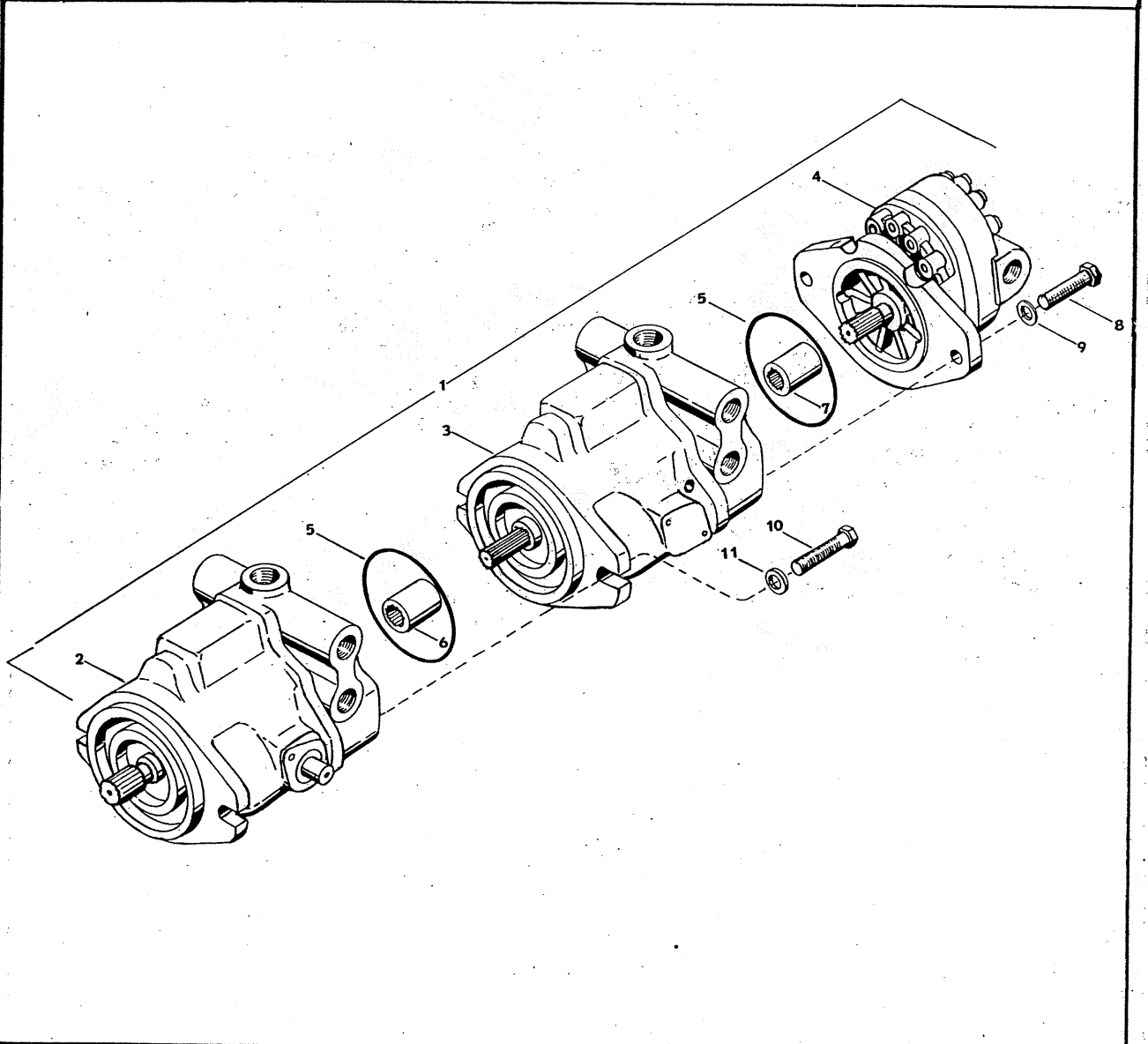
ITEM	QTY	Part Number	Description	(USED THROUGH SERIAL NUMBER 526756)
1	1	120-32779	R.O.P.S. frame	
2	1	Not serviced	Top window (See note)	
	1	420-34479	Top window seal	
		420-34480	Top window seal locking strip	
3	1	Not serviced	Rear window (see note)	
	1	420-34481	Rear window seal	
	1	420-34482	Rear window seal locking strip	
4	1	420-34483	Pull - tab - rear window release	
5	3	420-34471	Rubber light bezel	
6	3	420-33993	Lamp, sealed beam 4411 - 1	
	1	420-34487	Wire harness - rear lamp	
7	1	420-34472	Edging strip	
8	1	420-34474	Foam pad, top	
9	2	420-34475	Foam pad, upper rear	
10	1	420-34476	Foam pad, lower rear	
11	1	420-34477	Foam pad, left side	
12	1	420-34478	Foam pad right side	
13	2	220-32531	Pin, lift arm lock	
14	2	030-31911	Shoulder screw, special	
15	2	380-32358	Spring	
16	2	420-34470	Knob	
17	6	420-30823	Rubber mount	
18	4	310-13111	Cap screw, 1/2 - 13 x 2 1/4	
19	4	210-20693	Nut, 1/2 - 13 centerlock	
20	4	400-30803	Special washer	
21	1	330-33313	Shield, wire harness	
22	2	310-21736	Screw 10-24 Truss head	
23	2	210-32054	Tinnerman nut 10-24	
24	2	420-34597	Cover, knob	

NOTE: Windows are not available through OMC.



TRIPPLE PUMP ASSEMBLY

ITEM	QTY	Part Number	Description
1	1	170-33606	Tripple pump assembly
2	1	170-33847	Rear hydrostatic pump assembly
3	1	170-33846	Front Hydrostatic pump assembly
4	1	170-33842	Gear pump assembly
5	2	350-32266	O - ring
6	1	100-32133	Coupler
7	1	100-32134	Coupler
8	2	310-31013	Cap screw
9	2	400-32286	Washer
10	2	310-31013	Cap screw
11	2	400-32073	Washer

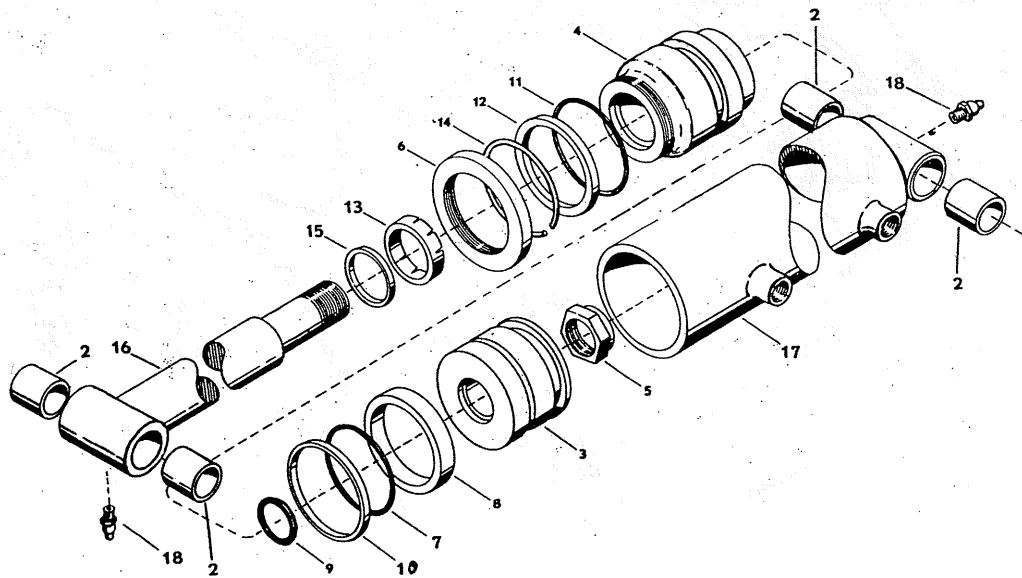


HYDROSTATIC PLUMBING

ITEM	QTY	Part Number	Description
1	1	170-33792	Hose, Right hand rear
2	1	170-33793	Hose, Right hand front
3	1	170-33794	Hose, Left hand rear
4	1	170-33795	Hose, Left hand front
5	3	230-18125	Straight connector 7/8 SAE-1 1/8 JIC
6	1	230-29393	Adjustable elbow, 1 1/16 JIC - SAE
7	1	230-32502	Swivel adaptor, 1 1/16 JIC, - 90 degree
8	1	170-33797	Filter head only
9	1	170-33635	Filter element 10 micron
10	1	230-32255	Tee
12	1	170-33991	Hose
	3	310-19473	Filter mounting screw 5/16 x 3/4
13	2	230-32504	90 degree long elbow 1 1/16 SAE-JIC
14	1	230-32192	45 degree elbow 1 1/16 SAE-JIC
15	1	230-18316	90 degree elbow 1 1/16 SAE- JIC
16	2	230-18574	90 degree elbow 3/4 SAE- JIC
17	1	170-32949	Manifold
18	1	230-32416	90 degree beaded swivel elbow
19	2	230-32506	Beaded insert
20	1	170-33814	Hose, right hand motor to cross
21	1	170-33502	Hose pump to cross
22	1	170-33815	Hose left hand motor to cross
23	1	170-33813	Hose reservoir to cross
24	2	420-33527	Hose clamp
25	1	230-32510	Cross manifold
	4	420-31591	Cable tie
26	1	330-33433	Drip trough
27	6	420-21748	Hose clamp
28	1	230-32266	Straight adapter
		2 310-19834	Screws
		2 210-19469	Nuts

TILT CYLINDERS

ITEM	QTY	Part Number	Description
1	1	170-33817	Tilt cylinder - complete
2	4	045-31420	Bushing
3	1	170-33736	Piston
4	1	010-32376	Gland
5	1	210-32115	Nut, 1 - 14
6	1	210-21141	Nut, special
7 - 15	1	190-32590	Repair kit
16	1	170-33819	Rod
17	1	170-33818	Barrel
18	2	420-18351	Grease zerk, straight



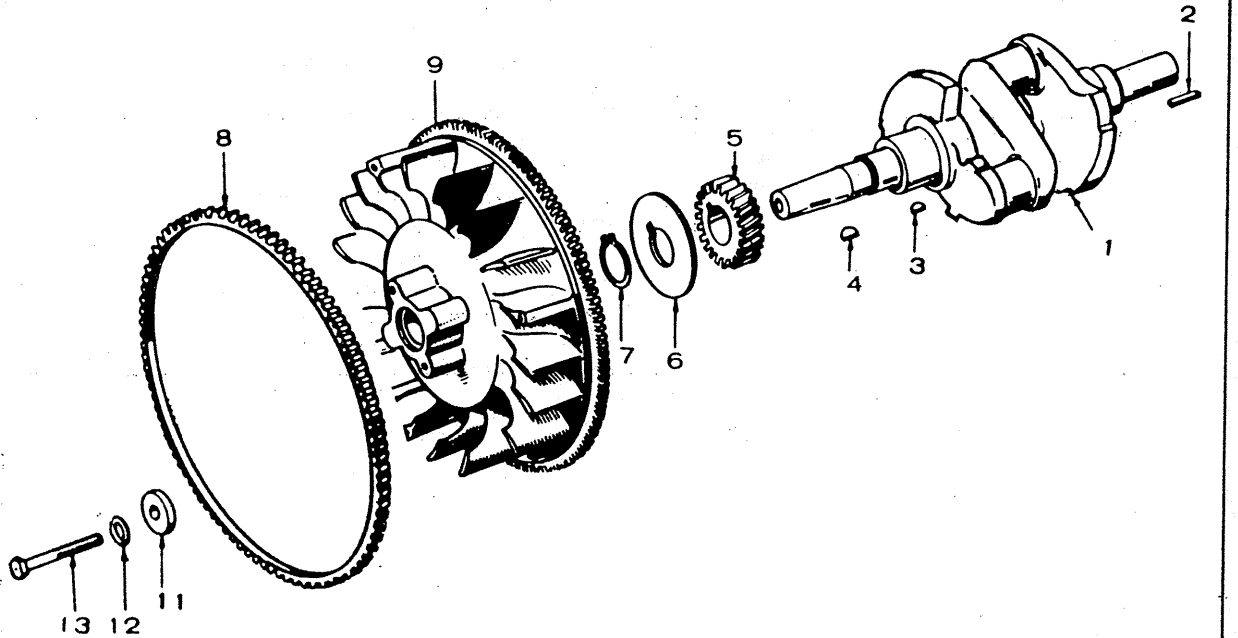
ENGINE ACCESSORIES (GASOLINE)

ITEM	QTY	Part Number	Description	From Serial	TO Serial
1	1	981-01670	Engine, Onan NHC		
	4	400-10094	Washer, flat 5/8		
	4	210-19532	Nut, hex, flanged lock, 1/2 - 13 NC		
2	1	250-32515	Universal joint assembly		
	2	190-32606	Cross and bearing kit		
	1	250-32530	Splined end yoke		
3	2	420-34553	Clip, pivot		
4	2	310-19475	Screw, cap, whizlock 3/8-16 NC x 3/4		
5	1	200-32520	Choke bellcrank		
6	1	200-32521	Choke link		
7	1	200-32522	Throttle bellcrank		
	1	045-31421	Bellcrank pivot bushing		
	1	310-32385	Screw, cap 1/4-20 NC x 2 1/4		
	1	210-19837	Nut, hex, centerlock 1/4-20 NC		
	1	400-10799	Washer, flat 1/4		
8	1	040-33358	Throttle mounting bracket		
	2	310-11419	Screw, cap 1/4-20 NC x 3/4		
	6	400-10799	Washer, flat 1/4		
9	1	040-33359	Throttle stop bracket		
	2	310-11419	Screw, cap 1/4-20 NC x 3/4		
	2	400-10799	Washer, flat 1/4		
	1	310-32385	Stop bolt 1/4-20 NC x 2 1/4		
	2	400-10799	Washer, flat 1/4		
	2	210-10017	Nut, hex, 1/4 - 20 NC		
10	1	170-33965	Hose, oil drain		
11	1	420-33527	Clamp, hose		
12	1	230-18130	Cap 3/4 - 16 NC		
13	1	230-32203	Adaptor, 1/2 NPT - 1/2 hose		
14	1	420-34468	Wire harness		
15	1	420-33061	Fuel hose	310011	417253
		420-31406	Fuel hose	419264	
	1	420-31259	Fuel filter with 2" hose	310011	417253
	4	420-21748	Clamp, hose		
17	1	420-26414	Battery cable, positive		
18	1	420-34317	Insulated clip 5/8		
19	1	420-19671	Insulated clip 3/8		
20	2	310-18720	Set screw, Sq. head 3/8 - 16 NC x 3/4		
21	2	210-10138	Nut, hex, jam 3/8 - 16 NC		

CARBURETOR

REF	OMC PART NO.	ONAN PART NO.	QTY	DESCRIPTION
	425-33146		1	Carburetor assembly (includes item 22)
	425-33109		1	† KIT, gasket (includes parts marked *
	425-33551		1	Kit repair (includes parts marked †)
1		146-0281	1	Choke shaft assembly
2		146-0142	4	Screw, valve mounting
3			1	Intake, air (not sold separately)
4		146-0247	4	Screw, body to intake
5		146-0203		†* Gasket, fuel bowl
6	425-33553		1	Throttle shaft assembly
7		146-0222	1	† Screw, lever pin
8	425-33554		1	Float assembly
9	425-33555		1	Idle speed adjusting screw assembly
10		146-0289	1	† Float valve and seat assembly
11		146-0209	1	† Idle needle assembly
12		146-0206	1	† Axle, float valve lever
13				Body (not sold separately)
14		146-0238	1	Jet, power
15		146-0282	1	† Power needle assembly
16	425-33630		1	Adapter, carburetor air inlet
17	425-33638		1	O ring, carburetor air intake
18		146-0178	2	*† Dust seal
19		146-0120	1	* O ring, power needle
20		146-0182	1	* Gasket, float valve seat
21		146-0183	1	* Gasket, power needle
22	425-33547		1	Gasket, carburetor
23		813-0106	3	Screw machine truss head number 10 - 32 NF x 1 1/8
24		850-0030	3	Washer, lock number 10

CRANKSHAFT AND FLYWHEEL



REF	OMC PART NO.	ONAN PART NO.	QTY	DESCRIPTION
1	425-33625		1	Crankshaft with key item 3
2	425-32484		1	Key, crankshaft stub
3	425-32481		1	Key, crankshaft gear included with item 1
4	425-33037		1	Key, flywheel
5	425-33038		1	Gear, crankshaft
6	425-33039		1	Washer, gear retaining
7	425-32491		1	Ring, retaining gear
8	425-32375		1	Gear ring
9	425-33565		1	Flywheel assembly w/ring gear and magnets
11		526-0262	1	Flat washer 15/16 ID x 1.50 OD x .31 THK
12		850-0055	1	Lock washer, spring 7/16
13	425-32349		1	Screw, flywheel mounting, special

BUCKETS, UTILITY FORK, PALLET FORK

ITEM	QTY	Part Number	Description
1		633-403	Earth bucket 49" - 6.8 cu. ft.
		532-403	Earth bucket 49" - 8 cu. ft.
		532-402	Earth bucket 47" - 6 cu. ft.
		531-404	Utility bucket 47" - 9 cu. ft.
		532-404	Utility bucket 52" - 9 cu. ft.
		532-406	Light material bucket 52" - 11 cu. ft.
		532-407	Light material bucket 64" - 11 cu. ft.
		110-32400	Cutting edge for 633-403
		110-32361	Cutting edge for 532-403
		110-32324	Cutting edge for 532-402 and 531-404
		110-32325	Cutting blades for side on 532-402
	110-32310	Cutting edge for 532-404 and 532-406	
	110-32362	Cutting edge for 532-407	
2	1	532-460	Utility fork includes items 3,4 and mounting hardware
3	1	120-32588	Utility fork frame 47"
4	7	110-16970	Fork tine
	7	400-10093	Washer flat 1/2"
	7	310-11009	Cap screw 1/2"
	7	400-10091	Washer lock 1/2"
	7	210-20678	Nut hex 1/2"
5	1	531-241	Pallet fork mounting frame complete (includes item 6 and hardware)
6	1	290-32255	Fork mounting shaft
7		120-32760	Pallet forks 30" (set of 2 order 532-242)
		120-32761	Pallet forks 36" (set of 2 order 532-243)

CLICK HERE TO **DOWNLOAD** THE COMPLETE MANUAL

- Thank you very much for reading the preview of the manual.
- You can download the complete manual from: www.heydownloads.com by clicking the link below



- Please note: If there is no response to CLICKING the link, please download this PDF first and then click on it.

CLICK HERE TO **DOWNLOAD** THE COMPLETE MANUAL