



320

MUSTANG SKID STEER LOADER

PARTS MANUAL

PART #002-10770 -Revision B
Revised August, 1979
Revised August, 1981
Revised March, 1988
Revised April, 2008

MUSTANG[®]
Mustang Manufacturing Company, Inc.
A GEHL Company

CLICK HERE TO **DOWNLOAD** THE COMPLETE MANUAL

- Thank you very much for reading the preview of the manual.
- You can download the complete manual from: www.heydownloads.com by clicking the link below



- Please note: If there is no response to CLICKING the link, please download this PDF first and then click on it.

CLICK HERE TO **DOWNLOAD** THE COMPLETE MANUAL

MAIN FRAME

REF.	PART NO.	QTY.	DESCRIPTION	Start Serial No.	Stop Serial No.
1	420-21966	1	Cap, oil reservoir		
2	230-32250	2	Reducer bushing, 1 1/4 x 1/2 NPT		
3	230-10072	2	Plug, 1/2 NPT, flush		
4	090-32150	1	View gauge		
5	330-32802	3	Inspection cover		
6	130-32149	3	Gasket, inspection cover		
7	330-32803	1	Inspection cover, left front		
8	130-32150	1	Gasket, inspection cover, left front		
	210-19434	46	Nut, whiz lock, 3/8-16 NC		
9	120-32440	1	Main frame		
10	330-32810	1	Fender, R.H.		
	330-32809	1	Fender, L.H.		
11	330-32813	2	Upright cover		
	210-19434	4	Nut, whiz lock, 3/8-16 NC		
	310-19475	4	Cap screw, whiz lock, 3/8-16 NC x 3/4		
12	170-14494	2	Breather, oil		
13	230-32340	2	Pipe plug, square countersunk, 1 1/2 NPT Not used after serial number 2150.		
14	230-18121	5	Pipe plug, square head, 1/4 NPT		
15	040-32901	2	Bracket, side screen		
	310-19475	10	Cap screw, whiz lock, 3/8-16 NC x 3/4		
	210-19434	10	Nut, whiz lock, 3/8-16 NC		
16	420-34144	1	Fuel Tank	149055	
17	310-19475	1	Cap Screw, Whizlock 3/8 - 16 NC x 3/4	149055	
18	420-36691	2	Cover, Reservoir Drain		
19	130-32138	2	Gasket, Reservoir Drain Cover		
20	040-33240	1	Linkage Bracket		
	310-19474	2	Cap Screw, Whizlock 5/16 - 18 NC x 1		
	210-19470	2	Hex Nut, Whizlock 5/16 - 18 NC		

(SUNSTRAND MODEL NO. 15-2068) - HYDROSTATIC PUMP ASSEMBLY

REF.	PART NO.	QTY.	DESCRIPTION
	170-32922	2	Hydrostatic pump, complete Sunstrand model no. 15-2068
1	220-32361	1	Pin, drive
2	See Kit A	1	Charge pump (gerotor)
3	See Kit A	1	Bearing
4	335-32182	1	Seal, lip
5	310-32364	4	Hex head screw
6	See Kit A	1	Charge pump housing
7	350-32362	1	"O" ring
13	335-32173	2	Seal, lip
14	400-32325	2	Washer
15	350-32326	2	Retaining ring
23	170-32656	1	Cone, charge relief
24	380-32268	1	Spring, charge relief
25	360-32383	as req'd.	Shims
26	350-32327	1	"O" ring
27	230-32332	1	Hex head plug
35	See Kit B	2	Slotted head plug
36	See Kit B	2	"O" ring
37	See Kit B	2	Spring, charge check
38	See Kit B	2	Ball, charge check
39	310-32363	4	Hex head screw
43	160-32302	1	End cap, pump
44	220-32352	1	Pin, locating
45	010-32282	1	Bearing .6699 I.D. Old Style
	.010-32414	1	Bearing .6875 I.D. New Style
46	160-32303	1	Valve plate, pump
48	190-32378	1	Cylinder block kit
49	400-32324	1	Thrust plate
50	220-32353	4	Spring pin
51	160-32304	1	Swashplate, variable
52	320-32421	1	Shaft, pump
53	010-32283	1	Bearing
55	010-32284	2	Bearing
56	160-32392	1	Housing, pump
58	320-32365	2	Shaft, trunnion
60	130-32129	1	Gasket
64	350-32316	2	"O" ring
67	230-32333	1	Pipe plug
A	190-32380	1	Charge pump kit, items 2-4, 6, 7
B	190-32379	2	Check valve kit, items 35-38
68	180-14471	1	Key, 3/16 square
69	350-10100	1	Snap ring, housing
70	350-32361	1	Snap ring, shaft

GEAR PUMP

REF.	PART NO.	QTY.	DESCRIPTION
1	170-32509		Gear pump, complete
	160-32393	1	Cover assembly with bearing
2.	220-32402	2	Pin, dowel
3	See Kit	1	Seal assembly
4	170-32986	1	Body assembly includes seal and bearing
5	See Kit	1	Key, square, .12 sq. x 1.00 lg.
6	140-32193	1	Drive shaft assembly
7	140-32194	1	Idler shaft assembly
8	See Kit	1	Bridging insert
9	See Kit	1	Gasket insert
10	See kit	1	"O" ring
11	310-32414	4	Hex screw, soc 5/16-18 x 2
12	Not serviced	4	Washer
13	See Kit	1	Wear plate
14	See Kit	1	Anti-extrusion block
	190-32455		Repair kit, includes items 3, 5, 8, 9, 10, 13, 14
15	335-32215		Shaft seal

R.O.P.S. & REAR SHIELD

REF.	PART NO.	QTY.	DESCRIPTION
1	120-32501	1	R.O.P.S. weldment
	310-19476	4	Cap screw, whiz lock, 3/8-16 NC x 1
	210-19434	4	Nut, whiz lock, 3/8-16 NC
	310-19478	6	Cap screw, whiz lock, 1/2-13 NC x 1
	210-19435	6	Nut, whiz lock, 1/2-13 NC
	220-32393	2	Pin, boom lock
3	420-33364	2	Knob, boom lock
4	310-32295	2	Screw, allen head, 3/8-16 NC x 1 1/2
5	420-33363	1	Foam, R.O.P.S.
	954-01090		Adhesive
6	330-32818	2	Side screen
7	030-21664	4	Carriage bolt, 3/8-16 NC x 3/4
8	310-19475	4	Cap screw, whiz lock, 3/8-16 NC x 3/4
9	210-19434	8	Nut, whiz lock, 3/8-16 NC
10	330-32814	1	Rear guard weldment
11	220-20552	2	Clevis pin, 1/2 dia. x 2 1/2
	220-10065	2	Cotter pin, 1/8 dia. x 1
12	420-33359	1	Latch, rear guard
	310-19834	2	Screw, whiz lock, 1/4-20 NC x 3/4
	210-19469	2	Nut, whiz lock, 1/4-20 NC
13	040-18958	1	Bracket, SMV
14	040-32920	1	Spacer
	030-11684	2	Carriage bolt, 5/16-18 NC x 1 1/2
	210-19470	2	Nut, whiz lock, 5/16-18 NC
15	390-32451	1	Angle, guard
	310-19478	4	Cap screw, whiz lock, 1/2-13 NC x 1
	210-19435	4	Nut, whiz lock, 1/2-13 NC

Thru Serial Number 149054

CARBURETOR

REF.	OMC PART NO.	ONAN PART NO.	QTY.	DESCRIPTION
	425-33146		1	Carburetor assembly
	425-33109		1	†Kit, gasket (includes parts marked *)
	425-33110		1	Kit, repair (includes parts marked †)
1		146-0236	1	Shaft, choke
2		146-0142	2	Screw, choke valve mounting
3			1	Intake, air (not sold separately)
4		146-0204	4	Screw, body to intake
5		146-0212	1	Valve, choke
6		146-0203	1	*Gasket, fuel bowl
7		146-0222	1	†Screw, lever pin
8	425-33111		1	Float assembly
9		146-0206	1	†Pin, float
10		146-0227	1	†Float valve and seat assembly
11		146-0218	1	†Gasket, valve seat
12		146-0208	1	Spring, bouyancy
13			1	Body assembly, carburetor (not sold separately)
14		146-0243	1	Jet, power
15		146-0219	1	*Gasket, power needle
16		146-0214	1	*Power needle assembly
17	425-33112		1	Spring, power needle
18		146-0211	1	Set screw
19		146-0116	1	†Needle, idle
20	425-33113		2	Spring, needle and screw adjusting
21	425-33114		1	Screw, idle speed adjust
22		146-0178	1	Seal, throttle shaft
23		146-0237	1	Shaft assembly, throttle
24		146-0244	1	Valve, throttle
25		146-0142	2	Screw, throttle valve mounting
26		146-0120	1	Seal, "O" ring, power needle

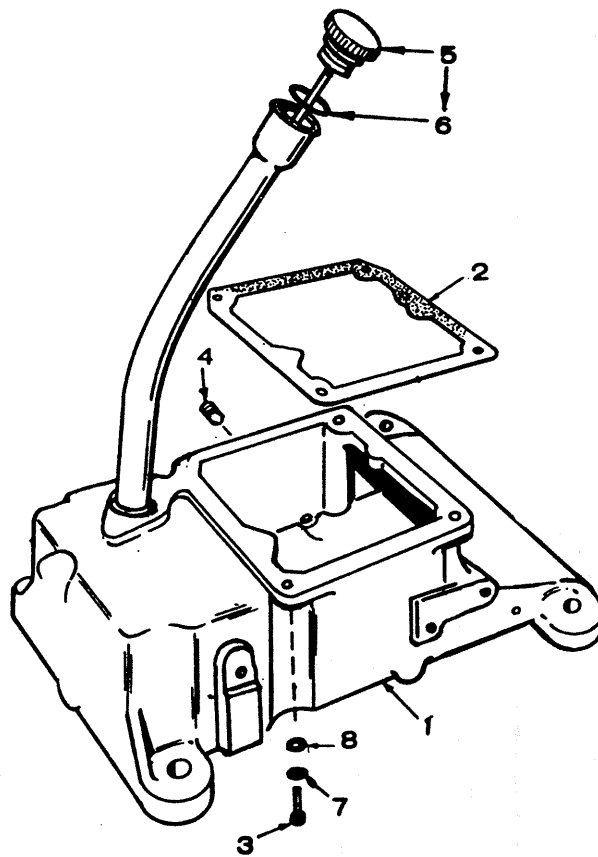
* Parts contained in gasket kit 146-0220.
 † Parts contained in repair kit 146-0228.

CARBURETOR (Starting with Serial Number 149055)

REF	OMC Part No.	ONAN Part No.	qty	Description
	425-33546		1	Carburetor Assembly
	425-33109		1	† Kit, gasket (includes parts marked *)
	425-33551		1	Kit repair (includes parts marked †)
1		146-0281	1	Choke shaft assembly
2		146-0142	4	Screw, valve mounting
3			1	Intake, air (not sold separately)
4		146-0247	4	Screw, body to intake
5			1	* Gasket, fuel bowl
6	425-33553		1	Throttle shaft assembly
7		146-0222	1	† Screw, lever pin
8	425-33554		1	Float assembly
9	425-33555		1	Idle speed adjusting screw assembly
10		146-0289	1	† Float valve and seat assembly
11		146-0209	1	† Idle needle assembly
12		146-0208	1	Spring, bouyancy
13			1	Body (not sold separately)
14		146-0238	1	Jet, power
15		146-0282	1	* Power needle assembly

OIL BASE GROUP

REF.	OMC PART NO.	ONAN PART NO.	QTY.	DESCRIPTION
1	425-33136		1	Base, oil
2	425-33034		1	Gasket, base
3	425-32497		4	Cap screw, hex head, 3/8-16 x 1 1/4
4		505-0056	1	Plug, drain
5	425-33035		1	Cap and indicator, oil fill
6	425-33036		1	Gasket, oil fill cap, "O" ring
7		850-0050	4	Lock washer, spring, 3/8
8		526-0026	4	Flat washer, 13/32 ID x 3/4 OD x 1/16 THK



INSTRUMENT PANEL

REF.	PART NO.	QTY.	DESCRIPTION
1	330-32820	1	Instrument panel
2	420-33376	1	Hourmeter
3	not serviced	1	Bracket, hourmeter
4	420-33372	1	Wire, jumper, fuel gauge to hourmeter
5	420-33373	1	Wire, jumper, hourmeter ground
6	210-20673	1	Hex nut, no. 10-24 NC
7	170-19244	1	Fuel gauge
8	not serviced	1	Bracket, fuel gauge
9	420-33371	1	Wire, jumper, switch to fuel gauge
10	090-32025	1	Ignition switch
11	not serviced	1	Nut, ignition switch
12	090-32026	1	Set of 2 keys
13	400-10683	4	Lock washer, no. 10
14	210-10684	4	Hex nut, no. 10-32 NF
15	420-33378	2	Plug, button, 1/2 dia.
16	420-33377	1	Indicator lamp assembly
17	not serviced	1	Bulb, lamp, GE 1895TR or equivalent
18	not serviced	1	Base, lamp
19	not serviced	1	Spring, lamp
20	not serviced	1	Lense assembly
21	420-33379	1	Wiring harness, R.O.P.S.
22	420-20592	5	Conduit clip, 5/16 dia.
23	310-19471	8	Cap screw, whiz lock, 1/4-20 NC x 1/2
24	210-19469	5	Nut, whiz lock, 1/4-20 NC
25	420-18139	2	Clamp

CLICK HERE TO **DOWNLOAD** THE COMPLETE MANUAL

- Thank you very much for reading the preview of the manual.
- You can download the complete manual from: www.heydownloads.com by clicking the link below



- Please note: If there is no response to CLICKING the link, please download this PDF first and then click on it.

CLICK HERE TO **DOWNLOAD** THE COMPLETE MANUAL