



310

MUSTANG SKID STEER LOADER

PARTS MANUAL

PART #000-32768 Revision B
Revised June, 1978
Revised March, 1988
Revised April, 2008

MUSTANG[®]
Mustang Manufacturing Company, Inc.
A GEHL Company

CLICK HERE TO **DOWNLOAD** THE COMPLETE MANUAL

- Thank you very much for reading the preview of the manual.
- You can download the complete manual from: www.heydownloads.com by clicking the link below



- Please note: If there is no response to CLICKING the link, please download this PDF first and then click on it.

CLICK HERE TO **DOWNLOAD** THE COMPLETE MANUAL

FLOORBOARD & PEDALS

KEY	PART NUMBER	QTY.	DESCRIPTION
1	090-32109	1	Brake, Pedal
2	400-10094	1	Washer, 5/8
3	220-10133	1	Cotter Pin 3/16 x 1 1/2
4	090-32110	1	Lock lever
5	310-23127	1	Capscrew 3/8 NC x 1 1/2
6	400-18916	1	Washer 3/8
7	210-19434	33	Hex Nut 3/8 NC
8	040-32718	1	Pedal Base
9	320-32374	1	Shaft
10	220-10065	2	Cotter pin 1/8 x 1
11	090-32118	1	Pedal, Right
12	090-32117	1	Pedal, left
13	360-25501	1	Spacer
14	290-32263	2	Control Rod
15	210-11128	2	Lock Nut 3/8 NF
16	200-32334	2	Valve Control Link
17	220-10095	4	Cotter Pin 3/32 x 1
18	220-28739	2	Clevis Pin 1/4 x 1
19	420-32979	1	Rubber Boot
20	420-21748	1	Hose Clamp 1/2 in.
21	420-32962	1	Oil Filler Dipstick
22	330-32628	1	Floor plate
23	130-32118	1	Gasket, Complete

HYDROSTATIC MOTOR, HOSES & FITTINGS

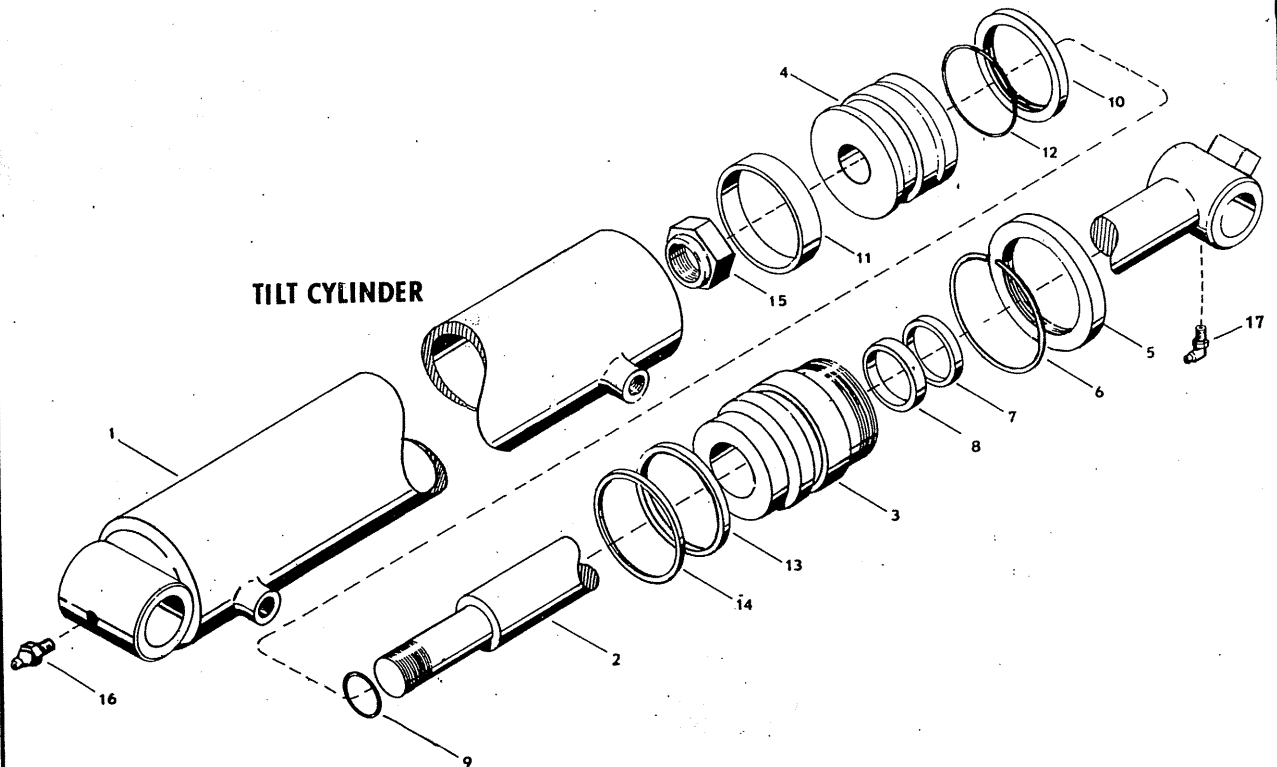
KEY	PART NUMBER	QTY.	DESCRIPTION
1	250-32340	2	Hydraulic motor
2	030-31869	6	Plow bolt, 7/16 NC x 1 3/4
3	210-10935	12	Hex nuts 7/16 NC
4	230-18680	2	Connector, 7/8 flare x 7/8 O-ring
5	230-32212	2	Elbow, 45 ^o , 7/8 flare x 7/8 O-ring
6	170-32184	3	High pressure hose, 1/2 ID x 15 1/2 in.
7	170-32663	1	High pressure hose, 1/2 ID. x 19 in.
8	230-29407	3	Bulkhead fitting 7/8 flare
9	230-32213	1	Bulkhead Elbow 45 ^o , 7/8 flare
10	335-18145	4	Seal washer, 7/8 in.
11	210-32026	4	Fitting nut, 7/8 - 14
12	400-32311		Washer 7/8"
13	180-32132	1	Key

HYDRAULIC PUMP AND ACCESSORIES (Diesel)

REF.	PART NO.	QTY.	DESCRIPTION
1	230-16805	1	Elbow, 3/4 NPT
2	230-16717	1	Adaptor, 1 1/16 flare x 3/4 NPT
3	170-32722	1	Suction tube
4	170-32868	1	Hydraulic hose, 3/4 ID
5	170-32858	1	Oil filter, complete
	170-16722	1	Oil filter element, 25 Micron
6	230-32345	2	Hose insert, 3/4 hose x 3/4 NPT
7	170-32869	1	Hydraulic hose, 3/4 ID
8	230-32381	1	Hose insert, 3/4 hose x 7/8 "O" ring
9	170-32585	1	Gear pump – Borg Warner (170-33009, gear pump – Webster)
10	230-18317	1	Fitting, 3/4 flare x 3/4 "O" ring
11	170-27702	1	Hydraulic hose (pump to valve)
12	170-32718	1	Line, valve inlet
13	420-18137	4	Hose clamp
14	040-32891	1	Bracket, filter
15	020-32183	1	Belt, alternator - gear pump
16	260-32191	1	Pulley

TILT CYLINDER FOR DUAL TILT CYLINDERS

REF	PART NO.	QTY	DESCRIPTION
	170-32875	2	Tilt Cylinder Complete
1	170-32876	1	Barrel
2	170-32813	1	Rod
3	010-32277	1	Gland
4	170-32601	1	Piston
5	210-32062	1	Locking Nut
6	see kit	1	Snap Ring
7	see kit	1	Rod Wiper
8	see kit	1	Rod Seal
9	see kit	1	O-ring
10	see kit	1	Seal Piston
11	see kit	1	Wear Ring, piston
12	see kit	1	O-ring
13	see kit	1	Back-up Ring
14	see kit	1	O-ring, gland
15	210-20580	1	Nut, 3/4 - 16 NF, special
	190-32388		Cylinder Repair Kit (items 5-15)
16	420-18351	1	Zerk, straight
17	420-16024	1	Zerk, 90°



ELECTRICAL SYSTEM (Gas)

REF.	PART NO.	QTY.	DESCRIPTION
1	Not serviced	1	Battery
2	425-32544	1	Solenoid
3	420-33000	1	Ground cable—black
4	420-33001	1	Battery cable—red 12"
5	420-33002	1	Starter cable—red 7"
6	420-33003	1	Wire harness
7	090-32025	1	Ignition switch
8	090-32026	1	Set of 2 keys
9	420-21409	2	Cable clip
10	090-21166	2	Neutral start switch
11	425-32925	1	Coil
12	425-32950	1	Voltage regulator
13	040-32714	1	Hold—down angle
14	290-32265	2	Hold—down bolt

WISCONSIN – HATZ ENGINE (Diesel)

REF.	OMC PART NO.	WISC.-HATZ PART NO.	QTY.	DESCRIPTION
1		00359101	1	Crankcase assembly (Includes items 2 thru 6)
2		03169300	1	Stud
4		50037300	10	Stud M8 x 18
5		50037400	3	Stud M8 x 18
6		40027600	1	Circlip
7		00339600	1	Cam follower bracket (Includes items 7-8 and 10-11)
		03009100	1	Cam follower bracket
8		03009002	2	Cam follower
9		03169400	As req'd.	Shim 0.1 mm
		03169600	"	Shim 0.2 mm
		03169700	As req'd.	Shim 0.3 mm
		03169800	"	Shim 0.5 mm
10		03168800	1	Cam follower spindle
11		50019500	2	Circlip
12		50057500	1	Allen screw M10 x 1 x 48
13		50002900	1	Spring washer, 10 mm
14		00300200	1	Shaft for hand lever (Includes items 14 and 14A)
14A		40022300	1	Washer
15		03146200	1	Friction disc
16		03065500	1	Hand lever
17		50010400	1	Key A4 x 4 x 10
18		50016900	1	Disc
19		50023800	2	Hex nut
20		03008404	1	Governor lever
21		00557900	1	Spindle (Includes items 22, 23A)
22		40022300	1	Washer
23		50019400	1	Circlip
23A		40031000	1	Circlip
24		03194801	1	Governor spring
25		03133200	1	Disc
26		50036100	1	Splint
27		50014200	1	Ball bearing
28		00307102	1	Dipstick assembly (with items 30)
30		40021700	2	Washer
32		03169501	1	Threaded pin
33		50023200	1	Hex nut M8
35		03003201	1	Crankcase cover
36		40023900	1	Washer
37		50026700	4	Hex screw M8 x 15
38		50002800	4	Spring washer, 8 mm
39		03069003	1	Cap screw
40		40023600	1	Washer
41		03169103	1	Oil drain plug with magnet
42		50001500	1	Washer
43		03169000	1	Cowling (pump side)
		03169200	1	Cowling (exhaust side)
44		50005500	6	Notched pin 3 x 13
		50018300	2	Tightening pin 3 x 12
44A		03225501	1	Name plate
44B		50005400		Notched pin
46	310-32407	50054100	8	Allen screw M10 x 30
47		50002900	8	Spring washer M10
48		03200803	1	Engine flange
49		50040800	4	Stud M10 x 28
50		50016900	4	Disc
51	210-28396	50023500	4	Hex nut M10

CLICK HERE TO **DOWNLOAD** THE COMPLETE MANUAL

- Thank you very much for reading the preview of the manual.
- You can download the complete manual from: www.heydownloads.com by clicking the link below



- Please note: If there is no response to CLICKING the link, please download this PDF first and then click on it.

CLICK HERE TO **DOWNLOAD** THE COMPLETE MANUAL