



2042

SKID STEER LOADER

PARTS MANUAL

PART #008-12996 Revision B

Revised April 2008

MUSTANG[®]
Mustang Manufacturing Company, Inc.
A GEHL Company

CLICK HERE TO **DOWNLOAD** THE COMPLETE MANUAL

- Thank you very much for reading the preview of the manual.
- You can download the complete manual from: www.heydownloads.com by clicking the link below



- Please note: If there is no response to CLICKING the link, please download this PDF first and then click on it.

CLICK HERE TO **DOWNLOAD** THE COMPLETE MANUAL

FOOT PEDAL CONTROL AND CABIN PANEL

REF	QTY	PART NUMBER	DESCRIPTION																
1	1	330-33696	Kick Plate Weldment																
2	12	310-19475	Screw, Cap, Whizlock 3/8-16NC X 3/4																
3	13	210-19434	Nut, Hex, Whizlock 3/8-16NC																
4	1	330-33655	Throttle Mount Weldment																
5	1	330-33664	Foot Pedal Access Cover Weldment																
6	2	090-30303	Foot Pedal																
7	A/R	200-32667	Shim, Pedal Mount																
8	2	200-32665	Pivot, Pedal Shaft																
9	4	045-31467	Bushing, Flanged Nylon																
10	1	090-32475	Foot Pedal Pivot Weldment R.H.																
11	1	320-32676	Pivot Shaft, Press Assembly																
12	1	090-32474	Foot Pedal Pivot Weldment L.H.																
13	1	330-33663	Floor Plate Weldment																
16		See Chart	Cable, Control																
<table border="1" style="width: 100%; border-collapse: collapse;"> <thead> <tr> <th style="width: 25%;">UNIT STEERING DESIGN</th> <th style="width: 25%;">LIFT CABLE USED</th> <th style="width: 25%;">TILT CABLE USED</th> <th style="width: 25%;">AUXILIARY CABLE USED</th> </tr> </thead> <tbody> <tr> <td style="text-align: center;">T-Bar</td> <td style="text-align: center;">090-32486</td> <td style="text-align: center;">090-32486</td> <td style="text-align: center;">090-32486</td> </tr> <tr> <td style="text-align: center;">Dual Lever Foot Control</td> <td style="text-align: center;">090-32486</td> <td style="text-align: center;">090-32486</td> <td style="text-align: center;">090-32487</td> </tr> <tr> <td style="text-align: center;">Dual Lever Hand Control</td> <td style="text-align: center;">090-32487</td> <td style="text-align: center;">090-32487</td> <td style="text-align: center;">090-32486</td> </tr> </tbody> </table>				UNIT STEERING DESIGN	LIFT CABLE USED	TILT CABLE USED	AUXILIARY CABLE USED	T-Bar	090-32486	090-32486	090-32486	Dual Lever Foot Control	090-32486	090-32486	090-32487	Dual Lever Hand Control	090-32487	090-32487	090-32486
UNIT STEERING DESIGN	LIFT CABLE USED	TILT CABLE USED	AUXILIARY CABLE USED																
T-Bar	090-32486	090-32486	090-32486																
Dual Lever Foot Control	090-32486	090-32486	090-32487																
Dual Lever Hand Control	090-32487	090-32487	090-32486																
17	1	200-28721	Clevis																
18	1	200-16148	Pin Clevis 1/4 dia X 3/4																
19	1	220-19836	Pin Cotter 1/16 dia X 3/4																
20	1	330-33656	Auxiliary Lever Mount Weldment T-Bar																
		040-33641	Panel, Seat L.H., Dual Lever, Blank (Also T-Bar Less Auxiliary)																
21	4	310-32616	Screw, Cap, Whizlock 3/8-16nc X 1/2																
22	1	090-32451	Auxiliary Lever Weldment																
23	1	420-34114	Knob																
24	1	210-18915	Nut, Hex 3/8-16NC																
25	1	310-19536	Screw, Cap 3/8-16NC X 1																
26	1	210-11247	Nut, Hex, Centerlock 3/8-16NC																
27	5	200-32345	Rod End, Female																
28	3	200-32664	Linkage, valve To Cable																
29	3	200-32659	Lock and Pin Assembly																
30	5	310-11146	Screw, Cap 1/4-20NC x 1																
31	3	400-32430	Washer, Flat 3/16																
32	5	210-19837	Nut, Hex, Centerlock 1/4-20NC																
33	2	420-32969	Zerk, grease, Drive, Straight																
34	1	330-33697	Cover, Brake Access																
35	1	040-33675	Bracket, Kick Plate Mount R.H.																
36	1	040-33676	Bracket, Kick Plate Mount L.H.																
37	9	030-20318	Bolt, Carriage 3/8-16NC 1																
38	1	420-35171	Boot, Auxiliary																
39	1	420-35660	Clamp, Hose																
40	1	420-31591	Tie, Cable																

FAST-A-TACH SINGLE PIN

REF	QTY	PART NUMBER	DESCRIPTION
1	1	490-33356	Fast-A-Tach Complete, w/Lever & Pin
2	1	120-32924	Fast-A-Tach Weldment
3	1	220-32586	Pin, Latch
4	1	220-19075	Pin, Spring 3/8 dia x 2
5	1	220-11086	Pin, Spring 1/4 dia x 1 1/2
6	1	200-32587	Clevis Weldment
7	1	030-19670	Bolt, Carriage 1/2-13NC x 2 1/4
8	1	380-32382	Spring
9	1	200-32586	Link Rod Weldment
10	1	210-20693	Nut, Hex, Centerlock 1/2-13NC
11	1	420-18757	Grip
12	2	350-32502	Quad Ring
13	2	045-31440	Bushing, Oilite
14	A/R	400-21033	Washer, Shim
15	2	400-10610	Washer, Flat 7/16
16	1	310-11009	Screw, Cap 1/2-13NC x 1/2
	1	090-32352	Handle Weldment
	1	190-32679	F-A-T Latch Kit, Consists of Items 2-16

T-BAR STEERING

REF	QTY	PART NUMBER	DESCRIPTION
1	1	330-33614	T-Stick Wrapper Weldment
2	4	030-18655	Bolt Carriage 5/16 - 18NC x 3/4
3	10	210-19470	Nut Hex Whizlock 5/16 - 18NC
4	2	200-32655	Pivot Weldment
5	2	045-31467	Bushing, Nyliner
6	1	090-32476	T-Stick Support Weldment
7	2	045-31342	Bearing, Oilite
8	1	090-32480	T-Stick Handle Weldment
9	1	310-18800	Screw Cap 3/8 - 24NF x 1 1/4
10	1	400-18917	Washer Lock 3/8
11	2	420-35348	Grip
12	1	040-33610	Boot Holder, T-Stick
13	1	420-35655	Boot, T-Stick
14	6	310-21736	Screw Truss Hd #1 0-24NC x 1/2
15	1	400-32505	Washer, special, Holds Front Boot
16	1	310-21026	Screw Mach Rd Hd #1 0-24NC x 1/2
17	1	210-32030	Nut Hex Whizlock #1 0-24NC
18	6	030-18658	Bolt Carriage 5/16-18NC x 1

HYDRAULIC MOTORS

STARTING SERIAL # SJ00C000537

MOTOR I.D. 151Z3200

WHEN ORDERING REPLACEMENT PARTS PLEASE REFER TO MOTOR I.D.

REF	QTY	PART NUMBER	DESCRIPTION
	2	250-32603	Hydraulic Motor Complete
	1	320-32690	Shaft Module Assy, Consists of items 1, 2, and 3
1	1	See Assy	Splined Shaft
2	1	See Assy	Bearing Assembly
3	1	See Assy	Bearing Nut
	1	160-32915	Mounting Flange Module Assy, Consists of items 4, 5, and 6
4	1	See Assy	Mounting Flange/Bearing House
5	1	See Assy	Shaft Seal
6	1	See Assy	O-Ring
	1	160-32916	Motor Flange Module Assy, Consists of items 7, 8, and 9
7	1	See Assy	Motor Flange
8	1	See Assy	Drain Port Plug
9	1	See Assy	O-Ring
	1	140-32271	Gear Set Module Assy, Consists of items 10, 11, and 12
10	1	See Assy	Gear Set
11	1	See Assy	Cardan Shaft
12	1	See Assy	O-Ring
	1	310-32679	Bolt Module Assy, Consists of items 13 and 14
13	6	See Assy	Screw M12-1 x 190 mm
14	3	See Assy	Screw M12-1 x 160 mm
	1	250-32606	Endcover Module Assy, Consists of items 15 - 30
15	1	See Assy	Endcover/Valve House
16	1	See Assy	Guide Pin
17	1	See Assy	Balance Plate
18	2	See Assy	Main Port Plug
19	1	See Assy	Backup Ring
20	2	See Assy	Backup Ring
21	6	380-32422	Spring
22	1	See Assy	O-Ring
23	1	See Assy	O-Ring
24	1	See Assy	Flushing Valve
25	1	230-32748	Plug
26	1	See Assy	O-Ring
27	1	See Assy	Spacer
28	2	045-31491	Flushing Valve Stop
29	2	380-32423	Spring
30	1	Not Serviced	Name Plate (Check Plate for Motor I.D.)
	1	170-35011	Valving Module Assy, Consists of items 31-36
31	1	See Assy	Disc Valve
32	1	See Assy	Channel Plate
33	1	See Assy	Valve Drive
34	1	See Assy	O-Ring
35	3	220-32673	Guide Pin
36	1	350-32584	Stop Ring
	1	170-34996	Flow Restriction Module, Consists of items 37
37	1	See Assy	Orifice Screw
	1	190-32919	Seal Repair Kit, Consists of items 5, 6, 9, 12, 19, 20, 22, 23, 26, and 34
		250-32607	Drive Motor Unit Assy, Consists of 160-32916, 140-32271, 310-32679, 250-32606, 170-35011, and 170-34996

HYDROSTATIC PLUMBING

REF	QTY	PART NUMBER	DESCRIPTION
1	1	170-34942	Hydrostatic Pump Assembly, Less Gear Pump
2	2	250-32597	Hydraulic Motor Assembly, ENDING SERIAL #SJ00C000536
		250-32603	Hydraulic Motor Assembly, STARTING SERIAL #SJ00C000537
3	2	350-32565	O-Ring, Motor Mount
4	1	230-32189	Straight Connector 1 5/16 SAE - 1 5/16 JIC
5	2	350-32426	O-Ring 1 5/16
6	1	170-34943	Gear Pump
7	2	230-32192	Adjustable Elbow 45° 1 1/16 SAE - 1 1/16 JIC
8	2	170-34941	Hydraulic Hose and Tube Assembly, 35" Long
9	2	170-34949	Hydraulic Hose and Tube Assembly, 30" Long
10	4	230-18316	Adjustable Elbow 90° 1 1/16 SAE - 1 1/16 JIC
11	11	350-27267	O-Ring 1 1/16
12	8	310-32669	Screw Cap Flanged 5/8-18NF x 1 3/4
13	8	335-32297	Seal Washer 5/8
14	1	170-34950	Hydraulic Line Assembly, Suction
15	1	230-32740	Elbow 90° 1 5/16 SAE - 1 1/4 Hose
16	1	170-34705	Hose Suction
17	2	420-35918	Clamp Hose
18	1	230-32648	Adjustable Tee 1 1/16 SAE - 1 1/6 JIC
19	1	230-32672	Flare Swivel Reducer 1 1/16 SAE - 3/4
20	1	170-34880	Strainer
21	1	350-32499	O-Ring
22	3	230-18318	Connector Straight 1 1/16 SAE - 1 1/16 JIC
23	1	230-18125	Connector Straight 7/8 SAE - 1 1/16 JIC
24	2	350-32424	O-Ring 7/8
25	1	230-19459	Adjustable Tee 3/4 SAE - 3/4 JIC
26	1	350-32423	O-Ring 3/4
27	2	230-27047	Adjustable Elbow 90° 9/16 SAE - 3/4 JIC
28	2	350-32422	O-Ring 9/16
29	1	170-19211	Hydraulic Hose Assembly, Motor Drain, RH
30	1	170-33535	Hydraulic Hose Assembly, Motor Drain, LH
31	1	170-34222	Hydraulic Hose Assembly, Hydro Return to Tank
32	2	310-19536	Screw Cap 3/8 - 16NC x 1
33	2	400-32568	Washer, Special
34	1	350-32583	O-Ring
35	1	230-32317	Adjustable Elbow 90° 1 1/16 SAE - 7/8 JIC
36	1	230-20607	Adjustable Elbow 90° 7/8 SAE - 7/8 JIC

SELF LEVELING VALVE

REF	QTY	PART NUMBER	DESCRIPTION
1	1	170-34606	Self Leveling Valve
2	2	030-20230	Bolt, Carriage 5/16 - 18NC x 2 1/2
3	2	400-18916	Washer, Flat 3/8
4	2	210-10176	Nut, Hex Center Lock 5/16 - 18NC
5	2	230-21512	Connector, Straight 7/8 SAE - 3/4 JIC
6	1	230-20607	Adjustable Elbow 90° 7/8 SAE - 7/8 JIC
7	1	230-32503	Adjustable Run Tee 7/8 SAE - 7/8 JIC
8	1	230-32679	Tee, Swivel Female, Side Outlet 7/8 JIC
9	1	230-32255	Tee, Swivel Female Run 7/8 JIC
10	1	170-34721	Hydraulic Hose & Tube Assembly
11	1	170-34720	Hydraulic Hose Assembly
12	4	350-32424	O-Ring 7/8
13	1	230-32300	Elbow 90° Swivel Female 7/8 JIC

CLICK HERE TO **DOWNLOAD** THE COMPLETE MANUAL

- Thank you very much for reading the preview of the manual.
- You can download the complete manual from: www.heydownloads.com by clicking the link below



- Please note: If there is no response to CLICKING the link, please download this PDF first and then click on it.

CLICK HERE TO **DOWNLOAD** THE COMPLETE MANUAL

ENGINE, RADIATOR AND OIL COOLER MOUNTS

REF	QTY	PART NUMBER	DESCRIPTION
2	4	310-26821	Screw, Cap, Whizlock 1/2-13NC x 1 1/4
3	16	400-10548	Washer Lock 7/16
4	4	040-33459	Engine Mount Weldment
5	16	310-32478	Screw, Cap M1 0 - 1.50 x 25mm
6	4	310-13464	Screw, Cap 5/8-11 NC x 4
7	10	400-21568	Washer, Special, 3/16 Thick
8	4	420-34016	Rubber Mount
10	4	400-32493	Washer, Flat 5/8
11	4	210-10037	Nut, Hex, Centerlock 5/8-11 NC
12	1	170-33424	Oil Cooler
13	4	030-20318	Bolt Carriage 3/8-16NC x 1
14	4	400-18916	Washer, Flat 3/8
15	4	400-18917	Washer, Lock 3/8
16	4	210-18915	Nut, Hex 3/8-16NC
17	1	040-33462	Bracket, Top, Oil Cooler Mount
18	2	310-19536	Screw Cap 3/8-16NC x 1
19	4	210-11247	Nut, Hex, Centerlock 3/8-16NC
20	1	040-33461	Bracket, Bottom, Oil Cooler Mount
21	2	310-26422	Screw Cap 3/8-16NC x 1 1/4
22	2	480-32835	Bushing
23	2	400-18916	Washer Flat 3/8
24	2	230-32319	Adapter Straight 1/2 NPT to 1 1/16 JIC
25	1	330-33665	Fan Shroud
26	1	120-32908	Radiator Mount Weldment
27	4	210-19434	Nut, Hex, Whizlock 3/8-16NC
28	4	030-18479	Bolt Carriage 3/8-16NC x 1 1/4
29	1	160-32870	Engine and Radiator Support
30	1	390-32794	Strap, Cooler, Rear
31	1	390-32795	Bracket, Bottom Radiator
32	1	420-35813	Bulb Seal, Bottom Radiator
33	1	420-35814	Bulb Seal, Rear Door
34	2	040-33648	Bracket, Airflow Stop
35	1	420-35836	Bulb Seal, Bottom Radiator
36	2	420-35796	Bulb Seal, Sides
37	1	390-32796	Bracket, Top Radiator
38	1	420-35832	Bulb Seal, Rear Door
39	1	420-35812	Bulb Seal, Top Radiator
40	4	310-21772	Screw Cap M6-1.0 x 16
41	4	400-32430	Washer Flat 3/16
42	4	400-10019	Washer Lock 1/4

FLYWHEEL HOUSING AND OIL SUMP

REF	QTY	PART NUMBER	DESCRIPTION
1	2	425-34695	Parallel Pin 8 x 16
2	1	425-34754	Housing, Flywheel
3	1	425-34756	Cap, Flywheel Cover
4	6	310-32478	Bolt M 10 x 25
5	4	310-32407	Bolt M 10 x 30
6	1	425-35491	Sump Assembly, Lub, Oil
7	1	Not Serviced	Plug M 16
8	1	Not Serviced	Sump, Lub. Oil
9	1	Not Serviced	Seal Washer 16S
10	1	425-34764	Spacer, Oil Sump
11	4	425-34733	Bolt M 8 x 16 Plated
12	2	425-34765	Bolt M 8 x 25 Plated
13	24	425-34747	Bolt M 8 x 45 Plated
14	2	425-34695	Parallel Pin 8 x 16
15	1	425-34757	Case Assembly, Oil Seal
16	1	Not Serviced	Case, Oil Seal
17	1	425-34759	Seal Oil
18	6	425-34760	Bolt M 8 x 30, Collar HD
19	3	425-34761	Bolt M 8 x 35 Plated
20	1	Not Serviced	Gasket, Liquid

LUB. OIL SYSTEM

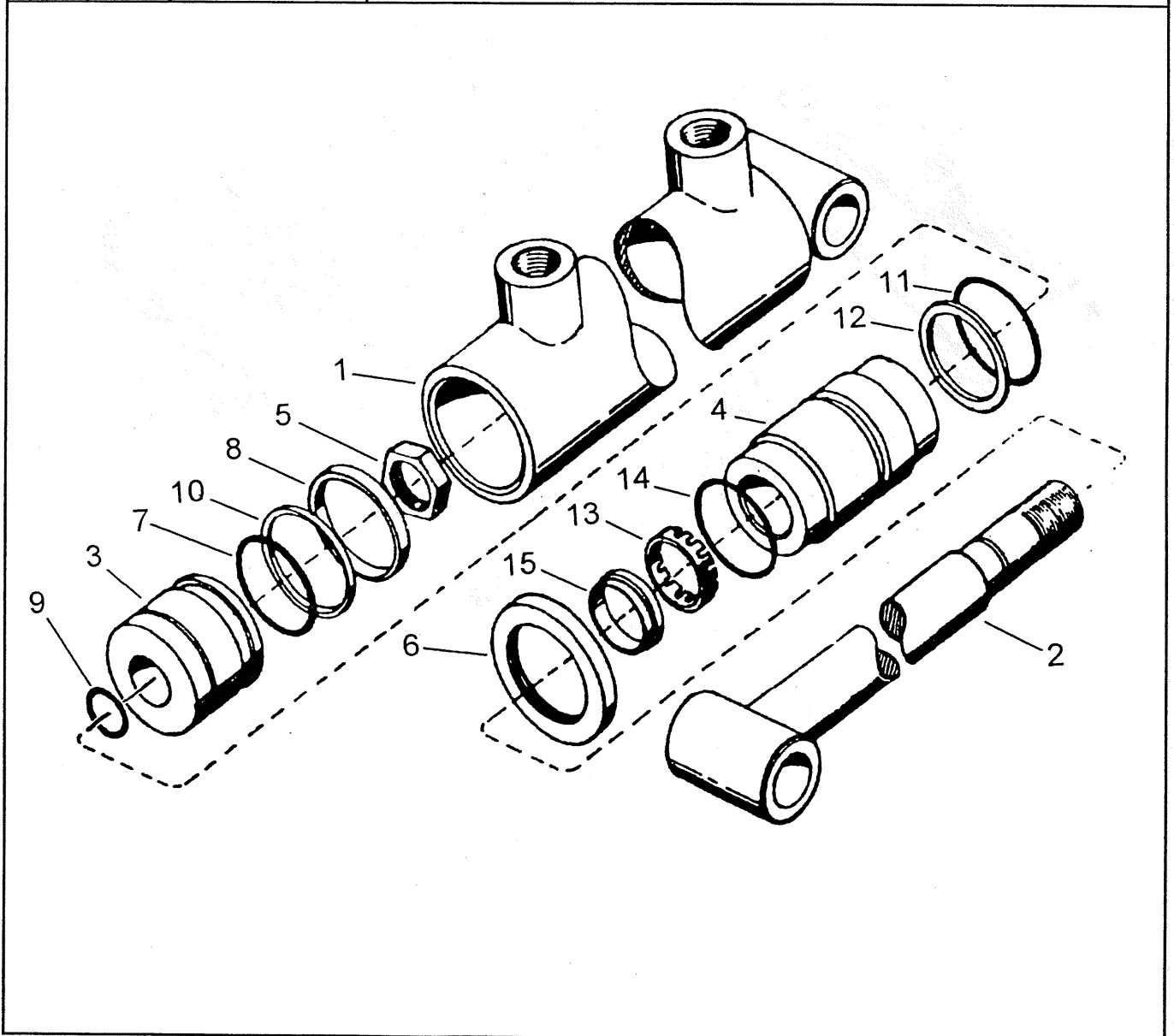
REF	QTY	PART NUMBER	DESCRIPTION
1	1	425-35939	Pump Assembly., Lub. Oil
2	1	Not Serviced	Body
3	1	Not Serviced	Pin 4 x 8
4	1	Not Serviced	Valve, Relief
5	1	Not Serviced	Rotor
6	1	Not Serviced	Rotor, Inner
7	1	Not Serviced	Shaft, L.O. Pump
8	1	Not Serviced	Rotor, Outer
9	1	Not Serviced	Pin
10	1	Not Serviced	Gear, L.O. Pump
11	1	Not Serviced	Spring
12	1	Not Serviced	Plug
13	2	Not Serviced	Spring Pin 4 x 8
14	1	425-34825	Guide, Dipstick
15	1	425-34828	Gasket, Non-Asbestos
16	1	425-34829	Pipe Assembly, Oil Inlet
17	1	Not Serviced	Inlet
18	1	Not Serviced	Pipe
19	1	Not Serviced	Flange
20	2	425-34761	Bolt M 8 x 35 Plated
21	1	425-34830	Bracket, Strainer
22	1	425-34831	Gasket, Non-Asbestos
23	1	425-34635	Filter 80 x 80 L
24	1	425-35940	Bolt, Lub. O. Strainer
25	1	425-34833	Nut
26	1	425-34744	O-Ring 1A P-16.0
27	3	425-34746	Bolt M 8 x 20 Plated
28	1	425-34684	Switch, Oil Pressure
29	1	425-34835	Bolt 10, Pipe Joint
30	1	425-34834	Pipe Assembly, Lub. Oil
31	1	Not Serviced	Joint 8
32	1	Not Serviced	Joint 10
33	1	Not Serviced	Pipe
34	1	425-36191	Bolt w/Seal Washer
35	1	425-34836	Bolt 8, Pipe Joint
36	1	425-36192	Seal Washer 8S
37	1	425-36192	Seal Washer 8S
38	1	425-34837	Gasket 10, Round
39	1	425-34701	Gasket, L.O. Pump
40	4	425-34823	Bolt M 6 x 25
41	1	425-34824	Dipstick, Lub. Oil
42	1	425-34826	Guide, Dipstick
43	1	425-34827	O-Ring 1A P-10A
44	1	425-34733	Bolt M 8 x 16 Plated

FUEL INJECTION VALVE

REF	QTY	PART NUMBER	DESCRIPTION
1	4	425-35966	Valve Assembly, F. Inject
2	4	425-35967	Nozzle Assembly, F. Inject
3	4	Not Serviced	Valve, Nozzle
4	4	Not Serviced	Body, Nozzle
5	4	425-34903	Nut, Nozzle Case
6	4	425-34904	Holder Assembly, Nozzle
7	4	Not Serviced	Body, Nozzle Holder
8	4	Not Serviced	Pipe, Fuel Return
9	4	425-34666	Spring, Nozzle
10	4	425-34905	Seat, Nozzle Spring
11	4	425-34906	Plate, Stop
12	8	425-34907	Pin
13	4	425-34667	Shim Pack
14	4	Not Serviced	Shim T=0.4
15	4	Not Serviced	Shim T=0.5
16	4	Not Serviced	Shim T=0.6
17	4	Not Serviced	Shim T=0.7
18	4	Not Serviced	Shim T=0.8
19	4	Not Serviced	Shim T=0.15
20	2	425-35452	Retainer, Inj. Pipe
21	2	Not Serviced	Clamp, Upper
22	2	Not Serviced	Clamp, Lower
23	4	425-35305	Bolt M 4 x 14, Hex. Socket
24	1	Not Serviced	Pipe No 1-4, F. Inj.
25	1	425-34910	Pipe, Fuel Injection
26	1	425-34911	Pipe, Fuel Injection
27	1	425-34912	Pipe, Fuel Injection
28	1	425-34913	Pipe, Fuel Injection
29	3	425-34674	Pipe, Fuel
30	1	425-34932	Pipe, Fuel Return
31	1	425-34933	Joint
32	1	425-34929	Cap
33	1	425-34934	Valve Assembly, Check
34	1	Not Serviced	Shim Set
35	2	Not Serviced	Shim T=0.5
36	1	Not Serviced	Shim T=1.0
37	1	Not Serviced	Body, Check Valve
38	1	Not Serviced	Spring
39	1	Not Serviced	Ball 1/4, Steel
40	1	Not Serviced	Plug 10
41	2	425-34935	Gasket 12, Round
42	9	425-34928	Clamp 8

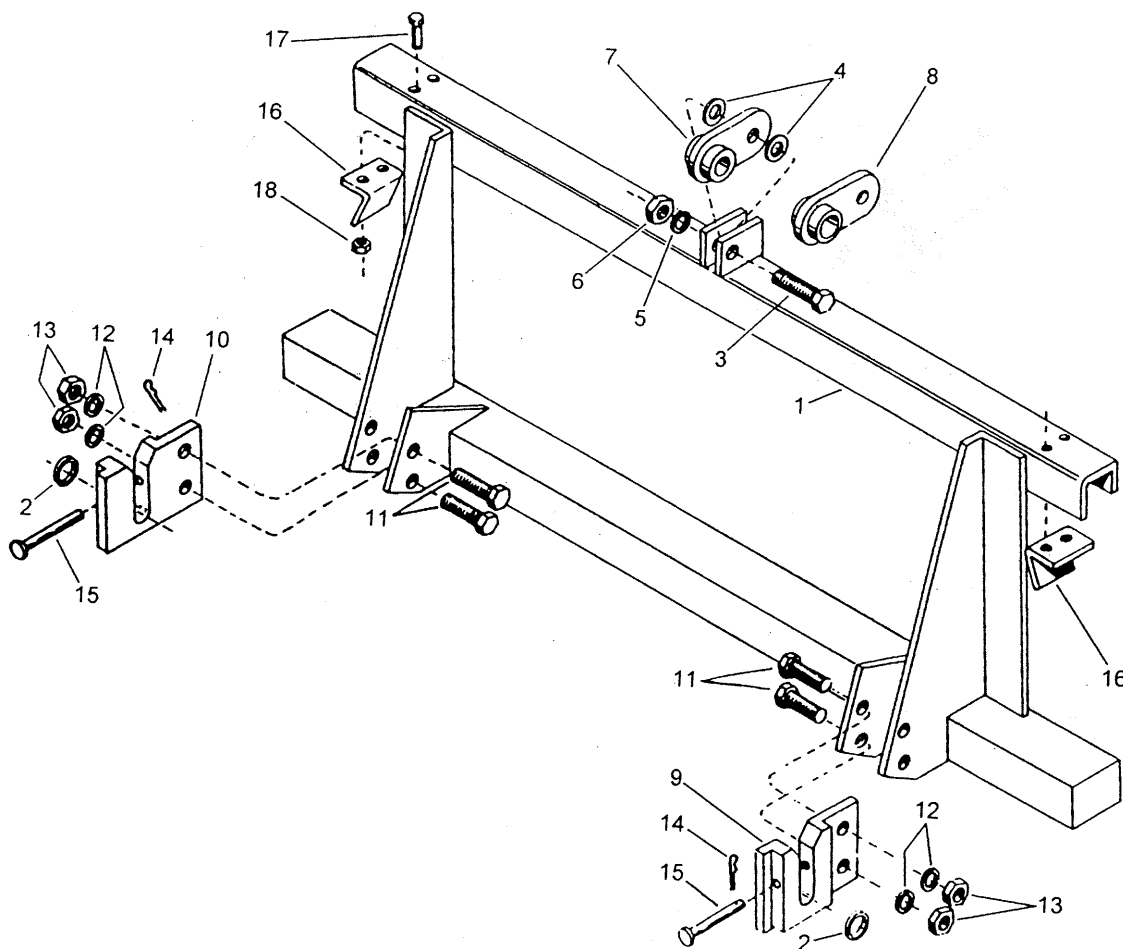
CYLINDER FOR GRAPPLE BUCKET

REF	QTY	PART NUMBER	DESCRIPTION
1	1	170-34619	Barrel Weldment
2	1	170-33144	Cylinder Rod Weldment
3	1	170-32601	Piston
4	1	010-32277	Gland
5	1	210-20580	Nut, 3/4 - 16NF
6	1	210-32062	Nut, Locking
7	1	350-32228	O-Ring
8	1	350-32314	Wear Ring, Piston
9	1	350-32313	O-Ring
10	1	335-32160	Seal, Piston
11	1	350-32312	O-Ring, Gland
12	1	400-32320	Ring, Back Up
13	1	335-32159	Seal, Rod
14	1	350-32311	Ring, Snap
15	1	335-32158	Wiper, Rod
		190-32388	Repair Kit, Includes Items 7 thru 15
		170-34618	Cylinder Complete



3-POINT HITCH ADAPTER

REF	QTY	PART NUMBER	DESCRIPTION
	1	505-500	Three Point Hitch(Complete)
1	1	120-32302	Main Frame
2	2	045-31289	Conversion Bushing, Category #1
3	1	310-32394	Cap, Screw 1-8NC x 3
4	2	400-14024	Washer SAE 1
5	1	400-32273	Washer, Lock 1
6	1	210-19629	Nut, Hex 1-8NC
7		200-32271	Top Link, Category #1
8		200-32272	Top Link, Category #2
9	1	200-32269	Lower Ear Assembly, Left
10	1	200-32270	Lower Ear Assembly, Right
11	4	310-17475	Cap, Screw 3/4-10NC x 1 3/4
12	4	400-10020	Washer, Lock 3/4
13	4	210-10768	Nut, Hex 3/4-10NC
14	2	220-15882	Hair Pin, .162 dia x 2 13/16
15	2	220-15421	Clevis Pin 5/8 dia x 2 1/2
16	2	390-32593	Removable Guide
17	4	310-26422	Screw, Cap 3/8-16NC x 1 1/4
18	4	210-11247	Nut, Lock 3/8-16NC



REVERSE ALARM

REF	QTY	PART NUMBER	DESCRIPTION
1	1	330-33581	Cover
2	1	420-35049	Alarm
3	4	210-19469	Nut, Hex Whizlock 1/4 - 20 NC
4	1	420-35714	Wire Harness
5	2	090-32433	Switch, Dual Lever
6	2	040-33629	Mounting Plate, Switch, Dual Lever
7	4	310-32624	Screw Hex Head, Self Tap #10 - 24NC x 5/8, Dual Lever
8	4	400-10683	Washer, Lock 3/16, Dual Lever
9	1	420-35396	Wire, Jumper, Blue, Dual Lever
10	1	420-35397	Wire, Jumper, Red, Dual Lever
11	2	420-32836	Terminal, Female 1/4, Dual Lever
12	2	420-33614	Adapter Terminal, Dual Lever
13	2	310-26841	Screw Cap Whizlock 5/16 - 18NC x 1/2, Dual Lever
14	4	030-31848	Bolt Carriage 1/4 - 20NC x 5/8
15	1	420-19498	Grommet
16	2	420-21409	Clip, Insulated
17	1	040-33628	Mounting Bracket, Dual Lever
18	1	420-25986	Connector, Bullet Male
19	2	210-19470	Nut Whizlock 5/16 - 18NC, Dual Lever
20	1	040-33618	Bracket, Switch Mount, T-Bar
21	2	310-19471	Screw, Cap Whizlock 1/4 - 20NC x 1/2, T-Bar
22	1	983-01807	Weldnut 1/4 - 20NC, T-Bar
23	1	090-30229	Switch, T-Bar
24	2	310-30374	Screw, Round Head #10 - 32NF x 1/2, T-Bar

CLICK HERE TO **DOWNLOAD** THE COMPLETE MANUAL

- Thank you very much for reading the preview of the manual.
- You can download the complete manual from: www.heydownloads.com by clicking the link below



- Please note: If there is no response to CLICKING the link, please download this PDF first and then click on it.

CLICK HERE TO **DOWNLOAD** THE COMPLETE MANUAL