



2040

MUSTANG SKID STEER LOADER

PARTS MANUAL

PART #015-10968 Revision B
Revised June 2008

MUSTANG[®]
Mustang Manufacturing Company, Inc.
A GEHL Company

CLICK HERE TO **DOWNLOAD** THE COMPLETE MANUAL

- Thank you very much for reading the preview of the manual.
- You can download the complete manual from: www.heydownloads.com by clicking the link below



- Please note: If there is no response to CLICKING the link, please download this PDF first and then click on it.

CLICK HERE TO **DOWNLOAD** THE COMPLETE MANUAL

FOOT PEDAL, CONTROLS AND CABIN PANELS

REF	QTY	PART NUMBER	DESCRIPTION																				
1	1	330-33653	Kick Plate Weldment Ending Serial # SF97E001313																				
	1	330-33688	Kick Plate Weldment Starting Serial # SF97E001314																				
2	14	310-19475	Screw Cap Whizlock 3/8 - 16NC x 3/4																				
3	16	210-19434	Nut Hex Whizlock 3/8 - 16NC																				
4	1	330-33655	Throttle Mount Weldment																				
5	1	330-33664	Foot Pedal Access Cover Weldment																				
6	2	090-30303	Foot Pedal																				
7	2	200-32667	Shim, Pedal Mount																				
8	4	200-32665	Pivot Pedal Shaft																				
9	4	045-31467	Bushing, Flanged Nylon																				
10	1	090-32475	Foot Pedal Pivot Weldment R.H.																				
11	1	320-32672	Shaft, Control Mount																				
12	1	090-32474	Foot Pedal Pivot Weldment L.H.																				
13	1	330-33663	Floor Plate Weldment																				
14	1	040-33662	Cable Mounting Bracket Weldment																				
15	4	310-19476	Screw Cap Whizlock 3/8 - 16NC x 1																				
16		See Chart	Cable, Control (See Chart)																				
<table border="1" style="width: 100%; border-collapse: collapse;"> <thead> <tr> <th style="width: 25%;">UNIT</th> <th style="width: 25%;">LIFT</th> <th style="width: 25%;">TILT</th> <th style="width: 25%;">AUXILIARY</th> </tr> <tr> <th>STEERING DESIGN</th> <th>CABLE USED</th> <th>CABLE USED</th> <th>CABLE USED</th> </tr> </thead> <tbody> <tr> <td>T-Bar</td> <td>090-32486</td> <td>090-32486</td> <td>090-32486</td> </tr> <tr> <td>Dual Lever Foot Control</td> <td>090-32486</td> <td>090-32486</td> <td>090-32487</td> </tr> <tr> <td>Dual Lever Hand Control</td> <td>090-32487</td> <td>090-32487</td> <td>090-32486</td> </tr> </tbody> </table>				UNIT	LIFT	TILT	AUXILIARY	STEERING DESIGN	CABLE USED	CABLE USED	CABLE USED	T-Bar	090-32486	090-32486	090-32486	Dual Lever Foot Control	090-32486	090-32486	090-32487	Dual Lever Hand Control	090-32487	090-32487	090-32486
UNIT	LIFT	TILT	AUXILIARY																				
STEERING DESIGN	CABLE USED	CABLE USED	CABLE USED																				
T-Bar	090-32486	090-32486	090-32486																				
Dual Lever Foot Control	090-32486	090-32486	090-32487																				
Dual Lever Hand Control	090-32487	090-32487	090-32486																				
17	3	200-28721	Clevis																				
18	3	220-16148	Pin Clevis 1/4 dia x 3/4																				
19	3	220-19836	Pin Cotter 1/16 dia x 3/4																				
20	1	330-33656	Auxiliary Mount Weldment T-Bar																				
		040-33641	Panel, Seat Plate L.H., Dual Lever, Blank (Also T-Bar Less Auxiliary)																				
21	4	310-32616	Screw Cap Whizlock 3/8 - 16NC x 1/2																				
22	1	090-32451	Auxiliary Lever Weldment																				
23	1	420-34114	Knob																				
24	1	210-18915	Nut Hex 3/8 - 16NC																				
25	1	310-19536	Screw Cap 3/8 - 16NC x 1																				
26	1	210-11247	Nut Hex Centerlock 3/8 - 16NC																				
27	3	200-32345	Rod End, Female																				
28	3	200-32664	Linkage, Valve to Cable																				
29	3	200-32659	Lock and Pin Assembly																				
30	3	310-11146	Screw Cap 1/4 - 20NC x 1																				
31	3	400-32430	Washer Flat 3/16																				
32	3	210-19837	Nut Hex Centerlock 1/4 - 20NC																				
33	2	420-32623	Zerk, Drive Type, 67 1/2 Deg.																				
34	2	200-32345	Rod End, Female																				
35	2	310-11146	Screw Cap 1/4 - 20NC x 1																				
36	2	210-19837	Nut Hex 1/2 - 20NC																				

FAST-A-TACH SINGLE PIN

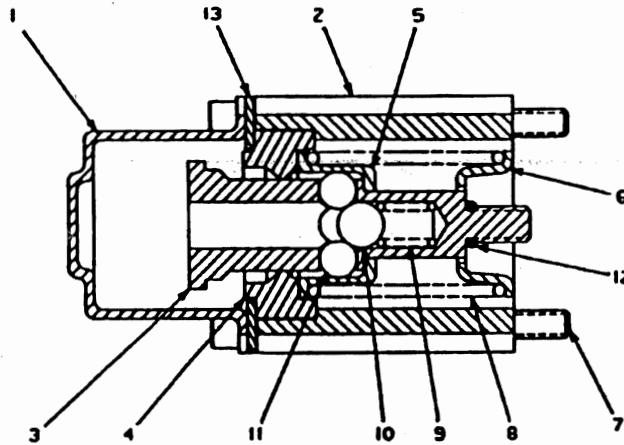
REF	QTY	PART NUMBER	DESCRIPTION
1	1	120-32924	FAST-A-TACH Weldment
2	1	220-32586	Pin, Latch
3	1	220-19075	Pin, Spring 3/8 dia x 2
4	1	220-11086	Pin, Spring 1/4 dia x 1 1/2
5	1	200-32587	Clevis Weldment
6	1	030-19670	Bolt Carriage 1/2 - 13NC x 2 1/4
7	1	380-32382	Spring
8	1	200-32586	Link Rod Weldment
9	1	210-20693	Nut Hex Centerlock 1/2 - 13NC
10	1	420-18757	Grip
11	2	350-32502	Quad Ring
12	2	045-31440	Bushing, Oilite
13	A/R	400-21033	Washer, Shim
14	2	400-10610	Washer Flat 7/16
15	1	310-11009	Screw Cap 1/2 - 13NC x 2
16	1	090-32352	Handle Weldment
	1	190-32679	F-A-T Latch Kit, Consists of Items 2-16
			490-33356 Fast-A-Tach Complete.

T-BAR STEERING

REF	QTY	PART NUMBER	DESCRIPTION
1	1	330-33614	T-Stick Wrapper Weldment
2	10	030-18658	Bolt Carriage 5/16 - 18NC x 3/4
3	6	210-19470	Nut Hex Whizlock 5/16 - 18NC
4	2	200-32655	Pivot Weldment
5	2	045-31467	Bushing, Nyliner
6	1	090-32476	T-Stick Support Weldment
7	2	045-31342	Bearing, Oilite
8	1	090-32480	T-Stick Handle Weldment, Standard
	1	090-32460	T-Stick Handle Weldment, Used w/Horn Kit
	1	330-33606	T-Stick Housing, Plastic, Used w/Horn Kit
	4	310-30374	Screw Mach RD HD #10 - 32NF x 1
9	1	310-18800	Screw Cap 3/8 - 24NF x 1 1/4
10	1	400-18917	Washer Lock 3/8
11	2	420-35677	Grip

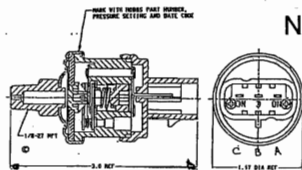
LIFT FLOAT POSITIONER

REF	QTY	PART NUMBER	DESCRIPTION
	1	170-34725	Float Positioner Kit, Consists of Items 1-13
1	1	Not Serviced	Bonnet
2	1	Not Serviced	Spacer
3	1	Not Serviced	Detent Ball Holder
4	1	Not Serviced	Detent Sleeve
5	1	Not Serviced	Spring Collar
6	1	Not Serviced	Spring Collar
7	4	Not Serviced	Screw
8	1	Not Serviced	Spring
9	1	Not Serviced	Detent Spring
10	1	Not Serviced	.375 Ball
11	4	Not Serviced	.250 Ball
12	1	Not Serviced	O-Ring Seal
13	1	Not Serviced	Plate



CHARGE, COOLER, AND RETURN FILTER PLUMBING

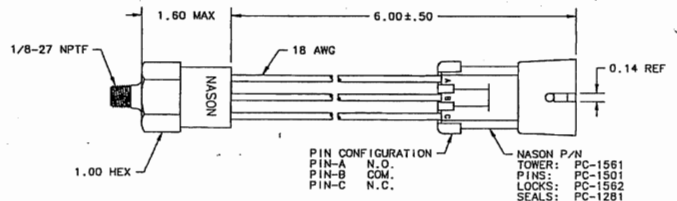
REF	QTY	PART NUMBER	DESCRIPTION
1	1	040-33645	Bracket, Filter
2	1	170-33797	Filter Base
3	1	170-33996	Filter Base with By-Pass
4	3	310-19473	Screw Cap Whizlock 5/16 - 18NC x 3/4
5	2	170-33635	Filter Element (Optional Heavy Duty See Ref. 38)
6	2	230-32266	Connector Straight 1 1/16 SAE - 7/8 JIC
7	2	230-32300	Swivel Female Elbow 90° 7/8 JIC
8	1	230-32317	Adjustable Elbow 90° 1 1/16 SAE - 7/8 JIC
9	2	230-18316	Adjustable Elbow 90° 1 1/16 SAE - 1 1/16 JIC
10	4	350-27267	O-Ring 1 1/16
11	1	040-33653	Bracket, Filler Tube Mount
12	3	310-19474	Screw Cap Whizlock 5/16 - 18NC x 3/4
13	4	210-19434	Nut Hex Whizlock 3/8 - 16NC
14	1	170-34689	Hydraulic Line Assembly
15	1	230-18318	Connector Straight 1 1/16 SAE - 1 1/16 JIC
16	1	170-34686	Hydraulic Line Assembly
17	1	230-29393	Adjustable Elbow 90° 7/8 SAE - 1 1/16 JIC
18	5	350-32424	O-Ring 7/8
19	1	170-34698	Hydraulic Hose Assembly
20	1	230-20607	Adjustable Elbow 90° 7/8 SAE - 7/8 JIC
21	1	170-34670	Hydraulic Hose and Tube Assembly
22	1	230-32700	Swivel Female Elbow 90° 7/16 JIC
23	1	230-32195	Connector Straight 7/16 SAE - 7/16 JIC
24	2	350-32421	O-Ring 7/16
25	1	170-34691	Hydraulic Hose Assembly
26	1	170-34673	Manifold Block
27	2	030-16558	Bolt Carriage 3/8 - 16NC x 3 3/4
28	1	090-32450	Temperature Switch, Oil, 2 Blade Terminals (Old Design) See Note #2
29	1	090-32458	Pressure Switch Replaced By 090-32502 See Note #1
30	3	230-18680	Connector Straight 7/8 SAE - 7/8 JIC
31	1	230-32657	Adjustable Elbow 90° 7/16 SAE - 9/16 JIC
32	1	170-34700	Hydraulic Hose and Tube Assembly Charge Filter To Manifold Block
33	1	170-34692	Hydraulic Hose Assembly
34	1	170-34701	Hydraulic Hose and Tube Assembly
35	1	170-34704	Hydraulic Hose Assembly
36	1	230-32594	Adjustable Tee 7/8 SAE - 7/8 JIC
37	1	170-34688	Hydraulic Line Assembly End Serial # SF97L00207
38	1	170-34895	Filter Element, Heavy Duty, Optional for Charge Circuit
39	1	170-34764	Hyd. Hose & Tube Assy, 30" long, Bottom Cooler to Charge Filter, Start Serial #SF97L002072



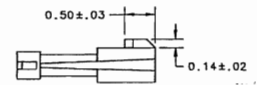
090-32458

Was Hobbs #77043-40 Changed to
 77042-40
 82995-40

NOTE # 1



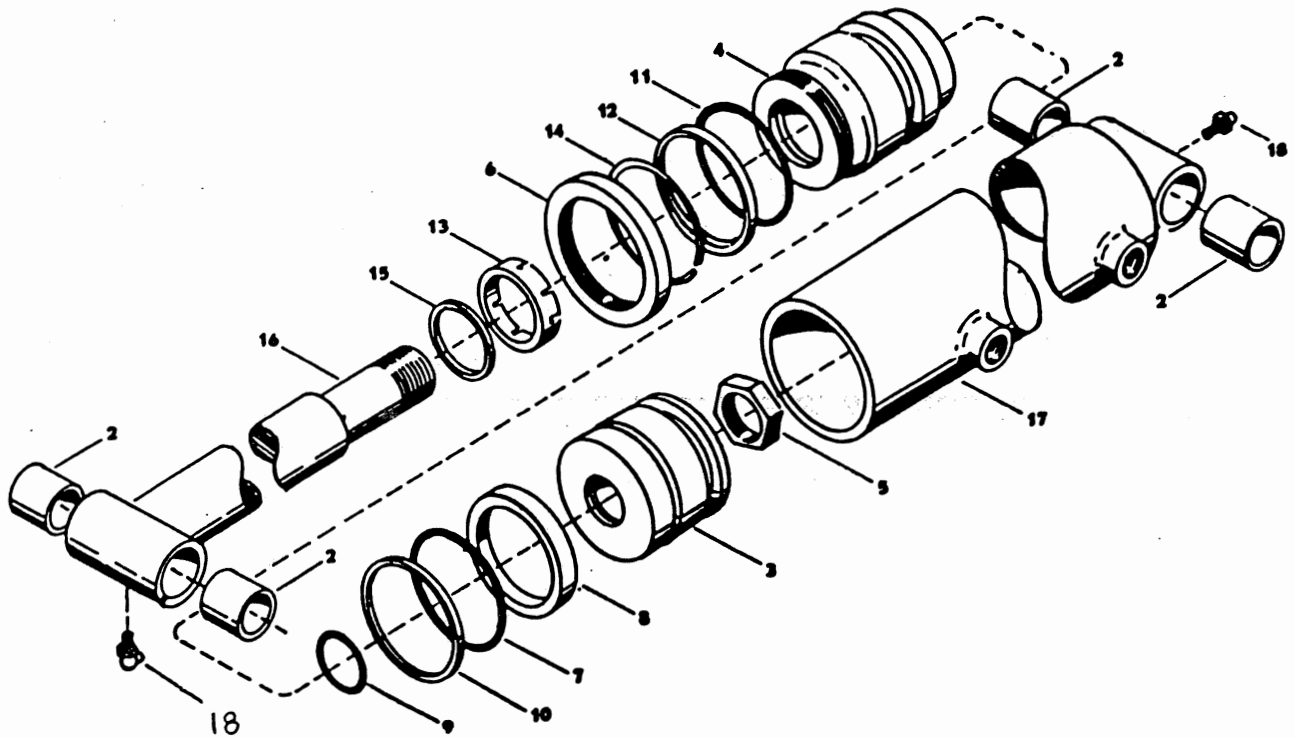
090-32502



Note #2: Replaced By Kit 190-32926 Consist of :
 1 090-32164 Switch 1 Blade Terminal
 1 090-32304 Sender Threaded Terminal

TILT CYLINDER

REF	QTY	PART NUMBER	DESCRIPTION
1	2	170-34659	Tilt Cylinder, Complete
2	8	045-31420	Bushing
3	2	170-33736	Piston
4	2	010-32376	Gland
5	2	210-32115	Nut, 1-14
6	2	210-21141	Nut, Special
7-15	2	190-32590	Repair Kit
16	2	170-34660	Rod
17	2	170-34661	Barrel
18	2	420-18351	Zerk, Straight 1/8 NPT



CLICK HERE TO **DOWNLOAD** THE COMPLETE MANUAL

- Thank you very much for reading the preview of the manual.
- You can download the complete manual from: www.heydownloads.com by clicking the link below



- Please note: If there is no response to CLICKING the link, please download this PDF first and then click on it.

CLICK HERE TO **DOWNLOAD** THE COMPLETE MANUAL

ENGINE, RADIATOR, & OIL COOLER, MOUNTS

REF	QTY	PART NUMBER	DESCRIPTION
2	4	030-31910	Bolt Carriage 1/2 - 13NC x 1 1/4
3	4	210-19530	Nut, Hex Flanged Centerlock 1/2 - 13NC
4	4	040-33459	Engine Mount Weldment
5	16	310-32478	Screw Cap M10 - 1.50 x 25 mm
6	4	310-13464	Screw Cap 5/8 - 11NC x 4
7	10	400-21568	Washer Special, 3/16 Thick
8	4	420-34016	Rubber Mount
10	4	400-32493	Washer Flat 5/8
11	4	210-10037	Nut Hex Centerlock 5/8 - 11NC
12	1	170-33424	Oil Cooler
13	4	030-20318	Bolt Carriage 3/8 - 16NC x 1
14	4	400-18916	Washer Flat 3/8
15	4	400-18917	Washer Lock 3/8
16	4	210-18915	Nut Hex 3/8 - 16NC
17	1	040-33462	Bracket, Top, Oil Cooler Mount
18	2	310-19536	Screw Cap 3/8 - 16NC x 1
19	4	210-11247	Nut Hex Centerlock 3/8 - 16NC
20	1	040-33461	Bracket, Bottom, Oil Cooler Mount
21	2	310-26422	Screw Cap 3/8 - 16NC x 1 1/4
22	2	480-32835	Bushing
23	2	400-18916	Washer Flat 3/8
24	2	230-32319	Adapter Straight 1/2 NPT to 1 1/16 JIC
25	1	330-33665	Fan Shroud, Old Style 17.41 x 19.71
26	1	120-32908	Radiator Mount Weldment
27	4	210-19434	Nut Hex Whizlock 3/8 - 16NC
28	4	030-18479	Bolt Carriage 3/8 - 16NC x 1 1/4
29	1	160-32752	Engine and Radiator Support
30	1	390-32794	Strap, Cooler, Rear
31	1	390-32795	Bracket, Bottom Radiator
32	1	420-35813	Bulb Seal, Bottom Radiator
33	1	420-35814	Bulb Seal, Rear Door
34	2	040-33648	Bracket, Airflow Stop
35	1	420-35836	Bulb Seal, Bottom Radiator
36	2	420-35796	Bulb Seal, Sides
37	1	390-32796	Bracket, Top Radiator
38	1	420-35832	Bulb Seal, Rear Door
39	1	420-35812	Bulb Seal, Top Radiator
40	4	310-21772	Screw Cap M6 - 1.0 x 16
41	4	400-32430	Washer Flat 3/16
42	4	400-10019	Washer Lock 1/4
43	1	330-33739	Fan Shroud, New Style 19.83 x 20.84

FLYWHEEL HOUSING & OIL SUMP

REF	QTY	PART NUMBER	DESCRIPTION
1	2	425-34695	Parallel Pin 8 x 16
2	1	425-34754	Housing, Flywheel
3	1	425-34756	Cap, Flywheel Cover
4	6	310-32478	Bolt M 10 x 25
5	4	310-32407	Bolt M 10 x 30
6	1	425-35491	Sump Assembly, Lub, Oil
7	1	Not Serviced	Plug M 16
8	1	Not Serviced	Sump, Lub. Oil
9	1	Not Serviced	Seal Washer 16S
10	1	425-34764	Spacer, Oil Sump
11	4	425-34733	Bolt M 8 x 16 Plated
12	2	425-34765	Bolt M 8 x 25 Plated
13	24	425-34747	Bolt M 8 x 45 Plated
14	2	425-34695	Parallel Pin 8 x 16
15	1	425-34757	Case Assembly, Oil Seal
16	1	Not Serviced	Case, Oil Seal
17	1	425-34759	Seal Oil
18	6	425-34760	Bolt M 8 x 30, Collar HD
19	3	425-34761	Bolt M 8 x 35 Plated
20	1	Not Serviced	Gasket, Liquid

LUB. OIL SYSTEM

REF	QTY	PART NUMBER	DESCRIPTION	START SERIAL #	PRIOR SERIAL #
1	1	425-34700	Pump Assembly, Lub. Oil		
2	1	Not Serviced	Body		
3	1	Not Serviced	Pin 4 x 8		
4	1	Not Serviced	Valve, Relief		
5	1	Not Serviced	Rotor		
6	1	Not Serviced	Rotor, Inner		
7	1	Not Serviced	Shaft, L.O. Pump		
8	1	Not Serviced	Roter, Outer		
9	1	Not Serviced	Pin		
10	1	Not Serviced	Gear, L.O. Pump		
11	1	Not Serviced	Spring		
12	1	Not Serviced	Plug		
13	2	Not Serviced	Spring Pin 4 x 8		
14	1	425-34825	Guide, Dipstick		
15	1	425-34828	Gasket, (Non-Asb.)		
16	1	425-34829	Pipe, Assembly, Oil Inlet		
17	1	Not Serviced	Inlet		
18	1	Not Serviced	Pipe		
19	1	Not Serviced	Flange		
20	2	425-34761	Bolt M 8 x 35 Plated		
21	1	425-34830	Bracket, Strainer		
22	1	425-34831	Gasket, (Non-Asb.)		
23	1	425-34635	Filter 80 x 80 L		
24	1	425-35940	Bolt, Lub. O. Strainer		
25	1	425-34833	Nut		
26	1	425-34744	O-Ring 1A P - 16.0		
27	3	425-34746	Bolt M 8 x 20 Plated		
28	1	425-34684	Switch, Oil Pressure		
29	1	425-34835	Bolt 10, Pipe Joint		
30	1	425-34834	Pipe Assembly, Lub. Oil		
31	1	Not Serviced	Joint 8		
32	1	Not Serviced	Joint 10		
33	1	Not Serviced	Pipe		
34	1	425-34836	Bolt 8, Pipe Joint		
35	2	425-34727	Gasket 8, Round		
36	2	425-34837	Gasket 10, Round		
37	1	425-34701	Gasket, L.O. Pump		
38	4	425-34823	Bolt M 6 x 25		
39	1	425-34824	Dipstick, Lub. Oil		
40	1	425-35941	Guide, Dipstick		SF99G003162
	1	425-34826	Guide, Dipstick	SF99G003162	
41	1	425-34827	O-Ring 1A P - 10A		
42	1	425-34733	Bolt M 8 x 16 Plated		

GOVERNOR

REF	QTY	PART NUMBER	DESCRIPTION
1	1	Not Serviced	Governor Assembly
2	1	425-34678	O-Ring S6
3	1	Not Serviced	Case, Governor
4	1	425-35950	Packing
5	1	425-35951	Cover
6	1	425-35952	Packing
7	1	425-34941	Link L = 30 (Mark 0)
8	1	425-34942	Link L = 31 (Mark 1)
9	1	425-34943	Link L = 30.5 (Mark 05)
10	1	425-34948	Weight Assembly, Governor
11	3	Not Serviced	Weight
12	3	Not Serviced	Pin, Governor Weight
13	1	Not Serviced	Support, Governor Weight
14	1	425-34949	Sleeve
15	1	425-35953	Sleeve
16	1	425-35954	Sleeve
17	1	425-34950	Shaft Assembly, Control
18	1	Not Serviced	Shaft
19	1	Not Serviced	Hook
20	1	425-34951	Spacer, Shaft
21	1	Not Serviced	Spacer T = 1.6
22	1	Not Serviced	Spacer T = 2.0
23	1	Not Serviced	Spacer T = 2.3
24	1	425-34954	Bolt, Revol. Limit
25	1	425-34981	Bolt, Idle Limit
26	2	425-34955	Spacer Assembly
27	2	Not Serviced	Spacer T = 0.6, G Lever
28	2	Not Serviced	Spacer T = 0.7, G Lever
29	2	Not Serviced	Spacer T = 1.2, G Lever
30	2	Not Serviced	Spacer T = 0.8, G Lever
31	1	425-36001	Shaft, Governor Lever
32	1	425-35955	Lever Assembly, Governor
33	2	425-35347	Shim Set
34	2	Not Serviced	Shim 0.1 MM
35	2	Not Serviced	Shim 0.2 MM
36	2	Not Serviced	Shim 0.3 MM
37	2	Not Serviced	Shim 0.15 MM
38	2	Not Serviced	Shim 0.05 MM
39	2	Not Serviced	Shim 0.25 MM
40	2	Not Serviced	Shim 0.35 MM
41	2	Not Serviced	Shim 0.40 MM
42	2	Not Serviced	Shim 0.45 MM
43	2	Not Serviced	Shim 0.50 MM
44	1	Not Serviced	Lever
45	1	Not Serviced	Lever A, Governor
46	1	Not Serviced	Lever (B)
47	1	425-35956	Spring
48	1	Not Serviced	Shifter
49	2	Not Serviced	Bush
50	1	Not Serviced	Fitting
51	1	Not Serviced	Hook, Tension Lever
52	1	Not Serviced	Pin
53	1	Not Serviced	Circlip E-4
54	2	Not Serviced	Bolt M 5 x 10 Plated

GASKET SET

REF	QTY	PART NUMBER	DESCRIPTION
1	1	425-36000	Gasket Set (Non-Asb.) Prior To Serial #SF99G003162
	1	425-36205	Gasket Set, Start Serial #SF99G003162
2	1	425-35929	Gasket, Cyl. Head
3	1	425-34742	Gasket, (Non-Asb.)
4	1	425-34681	O-Ring, F.I. Pump
5	4	425-34645	Seal, Valve Stem
6	4	425-34647	Protector, Nozzle
7	4	425-34796	Seat, Nozzle
8	1	425-34689	Gasket, Bonnet
9	1	425-34649	Gasket, (Non-Asb.)
10	1	425-35934	Gasket, Int. Manifold Prior To Serial #SF99G003162
	1	425-34651	Gasket Intake, Starting Serial #SF99G003162
11	1	425-34653	Gasket, Exh. Manifold
12	1	425-34803	Gasket, Air Heater
13	4	425-34690	Seal, Valve Stem
14	1	425-34701	Gasket, L.O. Pump
15	1	425-34828	Gasket, (Non-Asb.)
16	1	425-34831	Gasket, (Non-Asb.)
17	1	425-34703	Gasket, C.W. Pump
18	1	425-34704	Gasket, (Non-Asb.)
19	1	425-34705	Gasket, (Non-Asb.)
20	1	425-34849	Gasket, Thermo. Case
21	1	Not Used	Seal Washer 16S
22	2	425-35959	Seal Washer 12S
23	5	425-34750	Seal Washer 8S
24	1	425-35944	O-Ring G30
25	2	425-34935	Gasket 12, Round
26	2	425-34837	Gasket 10, Round
27	2	425-34727	Gasket 8, Round
28	2	425-34707	Gasket 16
29	1	425-34827	O-Ring 1A P - 10A
30	1	Not Used	O-Ring 1A P - 24.0
31	3	425-34776	O-Ring 1A P - 12.0
32	3	425-34744	O-Ring 1A P - 16.0
33	2	425-34745	O-Ring 1A P - 32.0
34	1	425-34770	O-Ring 1A S - 50.0

UTILITY FORK & GRAPPLE

REF	QTY	PART NUMBER	DESCRIPTION
		634-460	Utility Fork Only
		634-461	Utility Fork Grapple Attachment Only
1	1	120-32799	Grapple Mounting Frame
	8	310-27198	Screw Whizlock, 1/2 - 13 x 1 1/2
	8	210-19435	Nut, Whizlock, 1/2 - 13
2	1	120-26559	Grapple Fork
3	4	220-32306	Mounting Pin, 1 x 1 5/8 Long
4	1	170-20850	Cylinder, 2 1/2" Bore x 6 3/8 Stroke
5	2	220-26572	Pivot Pin, 7/8 x 5 3/8 Long
7	2	230-16686	Elbow 90 Degree Male 1/4 NPT x 9/16
8	2	100-21064	Coupler, Complete
9	2	170-17029	Coupler Plug
10	2	170-17078	Coupler Cap
11	2	170-16802	Hydraulic Hoe 3/8 I.D. x 71" Long
14	4	420-32958	Cable Ties
15	4	220-10133	Cotter Pin, 3/16 x 1 1/2" Long
16	2	220-14327	Cotter Pin, 3/16 x 2 1/2" Long
18	1	120-32800	Utility Fork Frame
19	2	110-16970	Outside Fork Tine
20	10	110-16938	Inside Fork Tine
21	12	030-11331	Carriage Bolt, 1/2 - 13NC x 1 3/4
22	12	400-10091	Lock Washer, 1/2"
23	12	210-20678	Hex Nut, 1/2 - 13NC

SOUND PACKAGE

REF	QTY	PART NUMBER	DESCRIPTION
1	2	420-35671	Strip, Foam Rubber, Kick Plate
2	1	420-35859	Edge Trim, Rear Panel, R.O.P.S.
3	1	420-35851	Foam, Kick Plate
4	1	420-35853	Floor Mat
5	1	330-33674	Hydro Barrier Support Assembly, Includes Items 6 & 7
6	1	420-35857	Foam Panel, Front Hydro
7	1	420-35858	Foam Panel, Rear Hydro
8	2	310-19476	Screw Cap Whizlock 3/8 - 16NC x 1
9	2	420-35171	Boot, Throttle and Auxiliary
10	2	420-35660	Clamp, Hose
11	2	420-31591	Tie, Cable
12	1	420-35863	Foam Seal, Wire Harness, Firewall
13	1	040-33610	Boot Holder, T-Stick
14	1	420-35655	Boot, T-Stick
15	6	310-21736	Screw Truss Hd #10-24NC x 1/2
16	1	400-32505	Washer, Special, Holds Front Boot
17	1	310-21026	Screw Mach Rd Hd #10-24NC x 1/2
18	1	210-32030	Nut Hex Whizlock #10-24NC

REVERSE ALARM

REF	QTY	PART NUMBER	DESCRIPTION
1	1	330-33581	Cover
2	1	420-35049	Alarm
3	4	210-19469	Nut, Hex Whizlock 1/4 - 20 NC
4	1	420-35714	Wire Harness
5	2	090-32433	Switch, Dual Lever
6	2	040-33629	Mounting Plate, Switch, Dual Lever
7	4	310-32624	Screw Hex Head, Self Tap #10 - 24NC x 5/8, Dual Lever
8	4	400-10683	Washer, Lock 3/16, Dual Lever
9	1	420-35396	Wire, Jumper, Blue, Dual Lever
10	1	420-35397	Wire, Jumper, Red, Dual Lever
11	2	420-32836	Terminal, Female 1/4, Dual Lever
12	2	420-33614	Adapter Terminal, Dual Lever
13	2	310-26841	Screw Cap Whizlock 5/16 - 18NC x 1/2, Dual Lever
14	4	030-31848	Bolt Carriage 1/4 - 20NC x 5/8
15	1	420-19498	Grommet
16	2	420-21409	Clip, Insulated
17	1	040-33628	Mounting Bracket, Dual Lever
18	1	420-25986	Connector, Bullet Male
19	2	210-19470	Nut Whizlock 5/16 - 18NC, Dual Lever
20	1	040-33618	Bracket, Switch Mount, T-Bar
21	2	310-19471	Screw, Cap Whizlock 1/4 - 20NC x 1/2, T-Bar
22	1	983-01807	Weldnut 1/4 - 20NC, T-Bar
23	1	090-30229	Switch, T-Bar
24	2	310-30374	Screw, Round Head #10 - 32NF x 1/2, T-Bar

CLICK HERE TO **DOWNLOAD** THE COMPLETE MANUAL

- Thank you very much for reading the preview of the manual.
- You can download the complete manual from: www.heydownloads.com by clicking the link below



- Please note: If there is no response to CLICKING the link, please download this PDF first and then click on it.

CLICK HERE TO **DOWNLOAD** THE COMPLETE MANUAL