

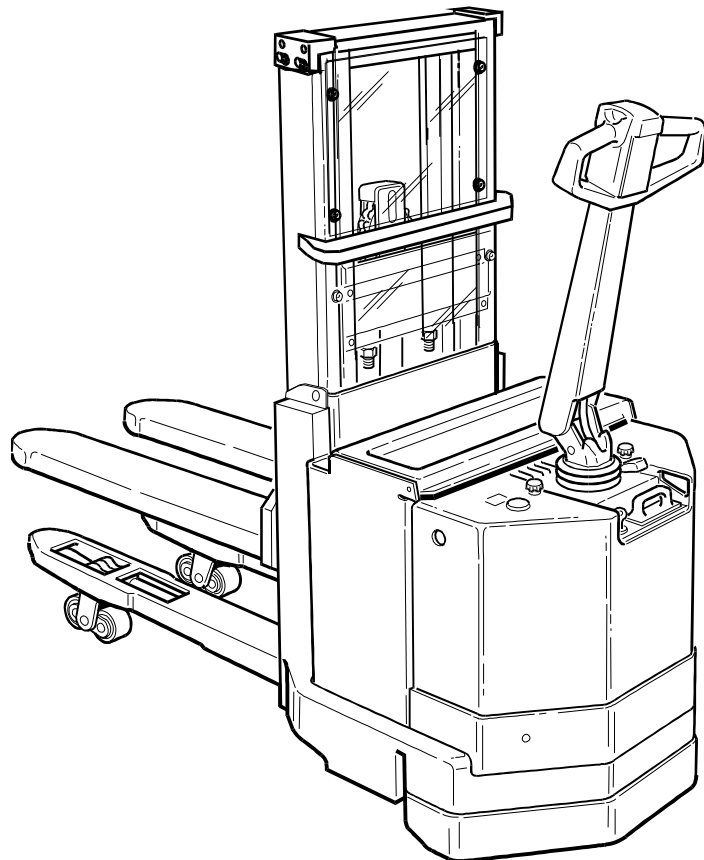
# MPL 16 D

## Powered pallet stacker

Valid for machine number: 309700AM-

Only valid for machine number:

--	--	--	--	--	--	--	--



## Spare Parts Catalogue

Ordering number ..... 161984

Date ..... 1997-11-18 / BDJ

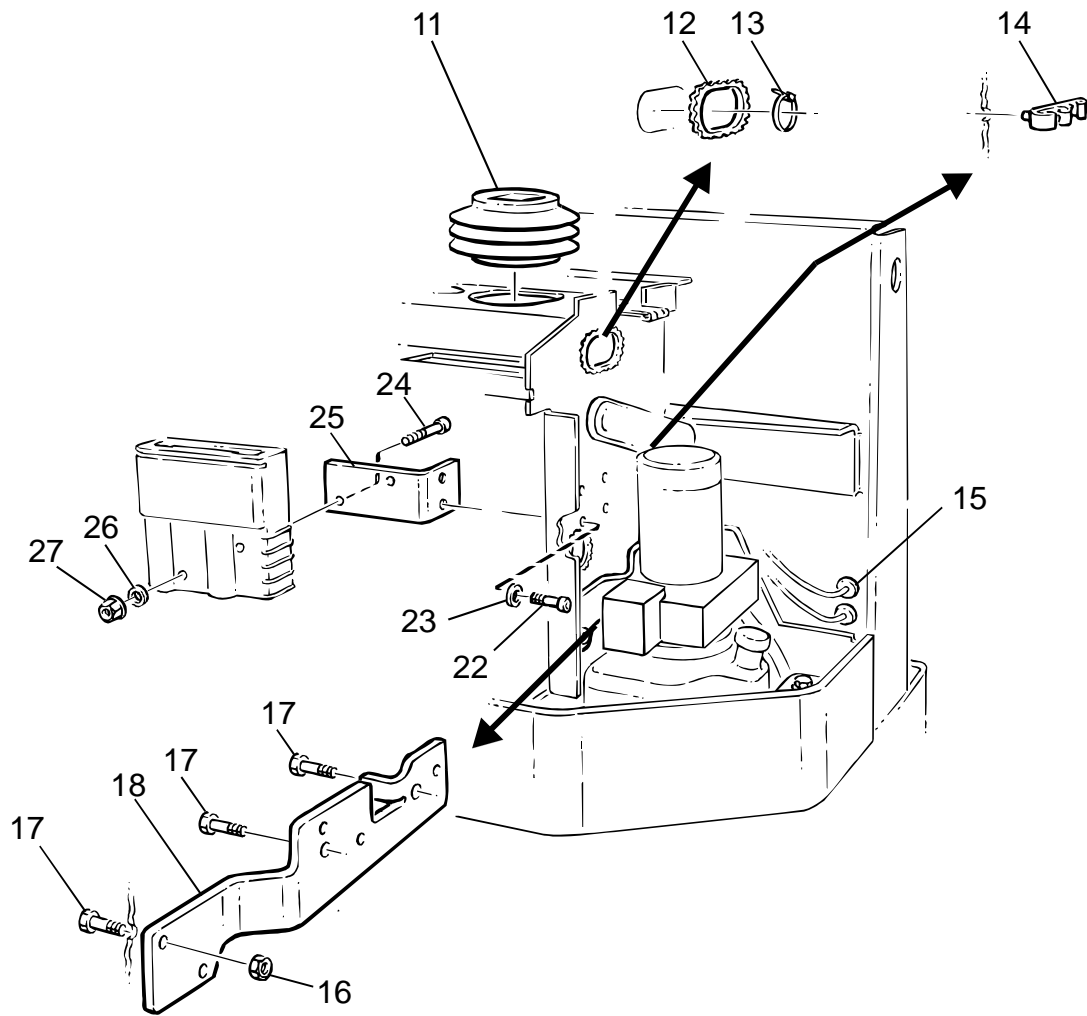
CLICK HERE TO **DOWNLOAD** THE COMPLETE MANUAL

- Thank you very much for reading the preview of the manual.
- You can download the complete manual from: [www.heydownloads.com](http://www.heydownloads.com) by clicking the link below



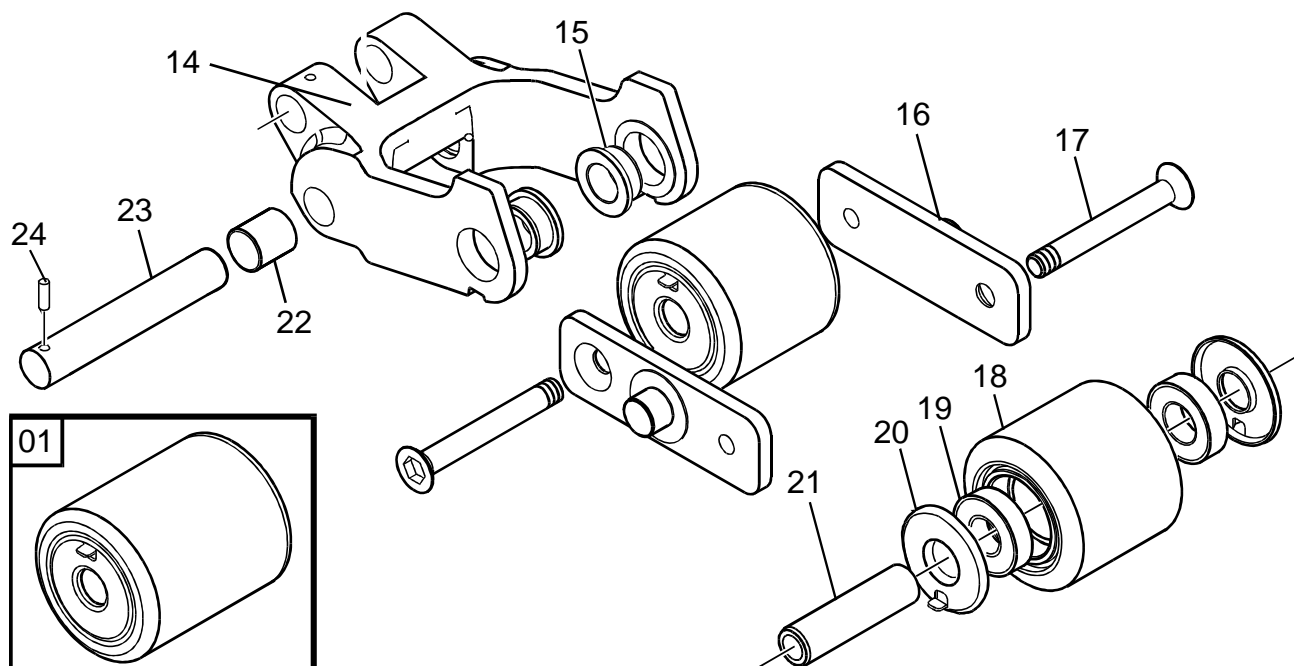
- Please note: If there is no response to CLICKING the link, please download this PDF first and then click on it.

CLICK HERE TO **DOWNLOAD** THE COMPLETE MANUAL





## 3500-009



## 3500-009 Wheels

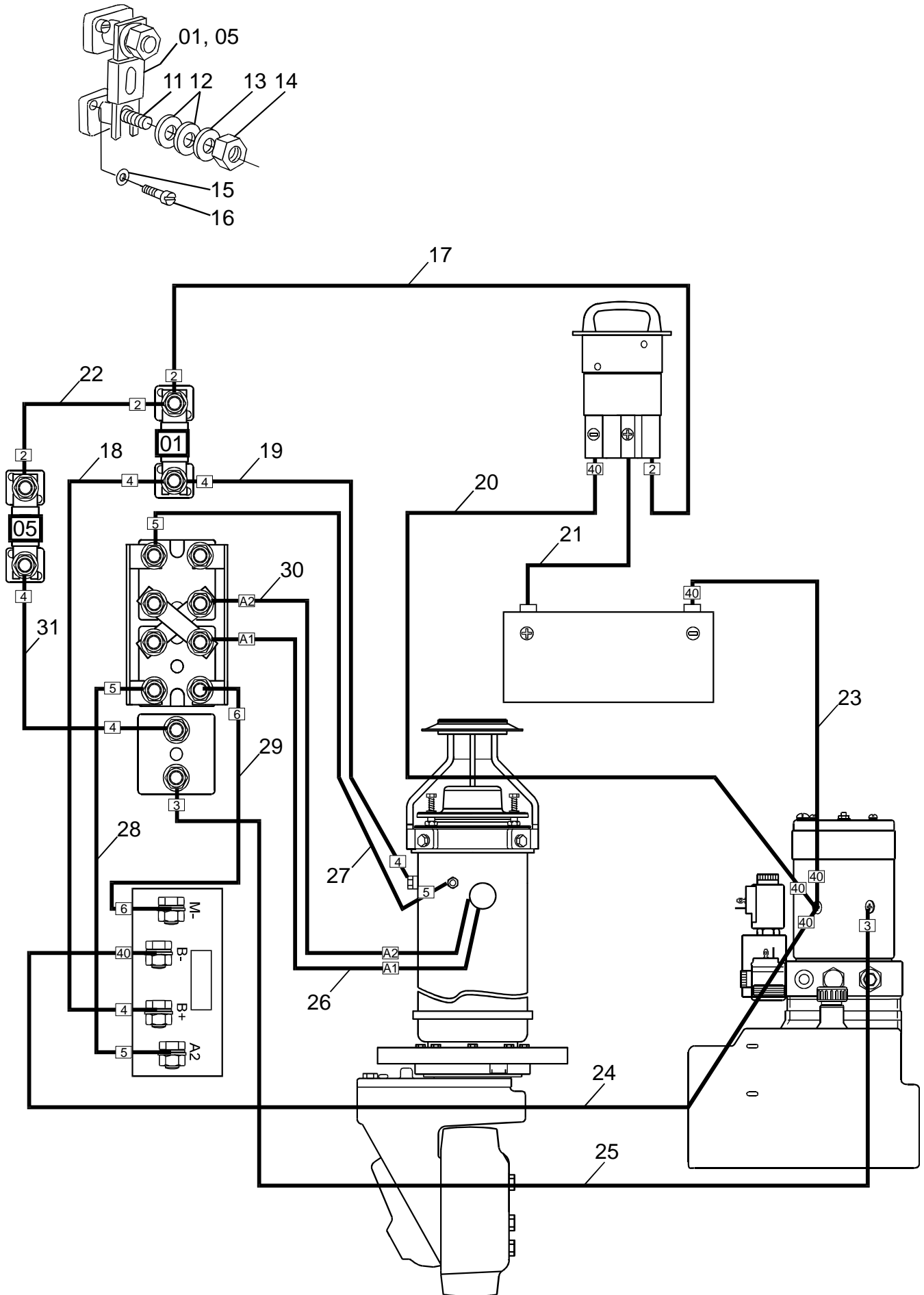
Hjul; Räder; Roue

[1997-05-21]

Bogiewheel; Boggiehjul; Boggirad; Roue bogie			453 MPL 16D	296773 -
Pos	Description	Pcs	Part No	Note
01	Bogie wheel(Complete) Boggiehjul(Komplett); Boggirad(Komplett); Roue de fourche bogie(Complett)	4	150131-001	
14	Wheel fork Hjulgaffel; Radgabel; Fourche de roue	2	150113	
15	Bush Bussning; Bague; Bague	4	154703	
16	Bracket Fäste; Halterung; Support	4	150115	
17	Screw Skruv; Schraube; Vis	4	150132	
18	Wheel Hjul; Rad; Roue	4	150128-074	
19	Ball bearing Kullager; Kugellager; Roulement a billes	8	20906	
20	Sealing Tätning; Dichtung; Joint	8	150127	
21	Axle Axel; Achse; Axe	4	150126-076	
22	Bush Bussning; Bague; Bague	4	140169	
23	Axle Axel; Achse; Axe	2	154593	
23	Axle(Stainless Steel) Axel(Rostfri); Achse(Nichtrostende); Axe(Inoxydable)	2	154632	
24	Locking pin Spännstift; Spannstift; Goupille	2	20001	



5430-026



**6100-030 Hydraulic unit**

[1997-11-11]

Hydraulikaggregat; Hydraulikaggregat; Unite hydraulique

			453 MPL 16D	309700 -
Pos	Description	Pcs	Part No	Note
01	<b>Pump unit compl.</b> Pumpenhet kompl.; Pumpeinheit kompl.; Unite de pompe compl.	1	156253	
11	<b>Non return valve</b> Backventil; Rückschlagklappe; Clapet de retenue	1	143374	
12	<b>Tank</b> Tank; Behälter; Reservoir	1	147435	
13	<b>Cap</b> Lock; Deckel; Couvercle	1	143380	
14	<b>Sealing kit</b> Tätningssats; Dichtungssatz; Jeux d'étanchéité	1	143378	
15	<b>Valve</b> Ventil; Ventil; Soupape	1	143373	
16	<b>Valve(Flow)</b> Ventil(Flödes); Ventil(Fluss); Soupape(Flux)	1	143370	
17	<b>Valve</b> Ventil; Ventil; Soupape	1	157268	
18	<b>Packing set</b> Packningssats; Packungssatz; Jeux d'étanchéité.	1	148312	
19	<b>Valve(Magnet)</b> Ventil(Magnet); Ventil(Magnet); Soupape(Magnétique)	1	143371	
20	<b>Coil</b> Spole; Spule; Bobine	1	143372	
23	<b>Clamp</b> Klamma; Rohrschelle; Collier	1	143381	
24	<b>Bracket</b> Fäste; Halterung; Support	2	150455	
25	<b>Bracket</b> Fäste; Halterung; Support	2	150456	
26	<b>Screw</b> Skruv; Schraube; Vis	2	20154	
27	<b>Pump</b> Pump; Pump; Pumpe	1	143377	
28	<b>Filter</b> Filter; Filter; Filtre	1	152716	
29	<b>Filter</b> Filter; Filter; Filtre	1	143382	
30	<b>Valve unit</b> Ventilblock; Ventileinheit; Soupape unit	1	157228	
31	<b>Valve</b> Ventil; Ventil; Soupape	2	149573	
32	<b>Coil</b> Spole; Spule; Bobine	2	149574	
33	<b>Filler tube</b> Påfyllningsrör; Füllstutzen; Tuyau de remplissage	1	162146	

CLICK HERE TO **DOWNLOAD** THE COMPLETE MANUAL

- Thank you very much for reading the preview of the manual.
- You can download the complete manual from: [www.heydownloads.com](http://www.heydownloads.com) by clicking the link below



- Please note: If there is no response to CLICKING the link, please download this PDF first and then click on it.

CLICK HERE TO **DOWNLOAD** THE COMPLETE MANUAL