

# 2006 Sprinter



Jeep

CHRYSLER • PLYMOUTH • DODGE • JEEP

**THE MOPAR DIFFERENCE**

## 2006 Sprinter VA

### VIN PLATE DECODING INFORMATION

VIN_POS	SITATION DESCRIPT	CODE = CODE DESCRIPTION
1	Country of Origin	W = DaimlerChrysler AG
2	Assembler	D = Sprinter
3	Vehicle Type	W = Dodge Bus X = Dodge Incomplete 8 = Dodge Multipurpose Passenger Vehicle 0 = Dodge Wagon P = Freightliner Incomplete R = Freightliner Multipurpose Passenger Vehicle Y = Freightliner Wagon 1 = Sprinter Cab-Chassis 1 = Sprinter Chassis-Cab 3 = Sprinter Multipurpose Passenger Vehicle 5 = Sprinter Multipurpose Passenger Vehicle 2 = Sprinter Truck
4	GVWR & Pass. Safety	X = 4 X 2 Cab-Chassis W = 4 X 2 Multipurpose Passenger Vehicle Y = 4 X 2 Truck P = 4X2 - U.S. B = 4X4 - Canada
5	Vehicle Line	D = Combine with position 6
6	Series	1 = 2500C/C2500/P2500 3000 mm 15 in. wheel 8,001 - 9,000 lbs. Class G 2 = 2500C/C2500/P2500 3550 mm 15 in. wheel 8,001 - 9,000 lbs. Class G 6 = 2500C/C2500/P2500 3567 mm 16in. wheel 8,001 - 9,000 lbs. Class G 3 = 2500C/C2500/P2500 4025 mm 15 in. wheel 8,001 - 9,000 lbs. Class G 7 = 2500C/C2500/P2500 4042 mm 16in. wheel 8,001 - 9,000 lbs. Class G 8 = 3500C 3567 mm 16in. wheel 10,001 - 14,000 lbs. Class 3 9 = 3500C 4042 mm 16 in. wheel 10,001 - 14,000 lbs. Class 3 4 = 3500C/C3500 3550 mm 15 in. wheel 9,001 - 10,000 lbs. Class H 5 = 3500C/C3500 4025 mm 15 in. wheel 9,001 - 10,000 lbs. Class H 1 = C2500/P2500 3000 mm 15 in. wheel 8,001 - 9000 lbs. Class G 4 = C3500 3550 mm 15 in. wheel 9,001 - 10,000 lbs. Class H 5 = C3500 4025 mm 15in. wheel 9,001 - 10,000 lbs. Class H
7	Body Style	4 = Combine with position 8
8	Engine	3 = 2.7L 45 State Diesel, Hydraulic Brakes 2 = 2.7L 50 State Diesel, Hydraulic Brakes 4 = 2.7L 50 State Diesel, Hydraulic Brakes 1 = 2.7L I-5 Diesel, Hydraulic Brakes
9	Check Digit	= Check Digit
10	Model Year	6 = 2006
11	Assembly Plant	5 = Dusseldorf R = Dusseldorf

CLICK HERE TO **DOWNLOAD** THE COMPLETE MANUAL

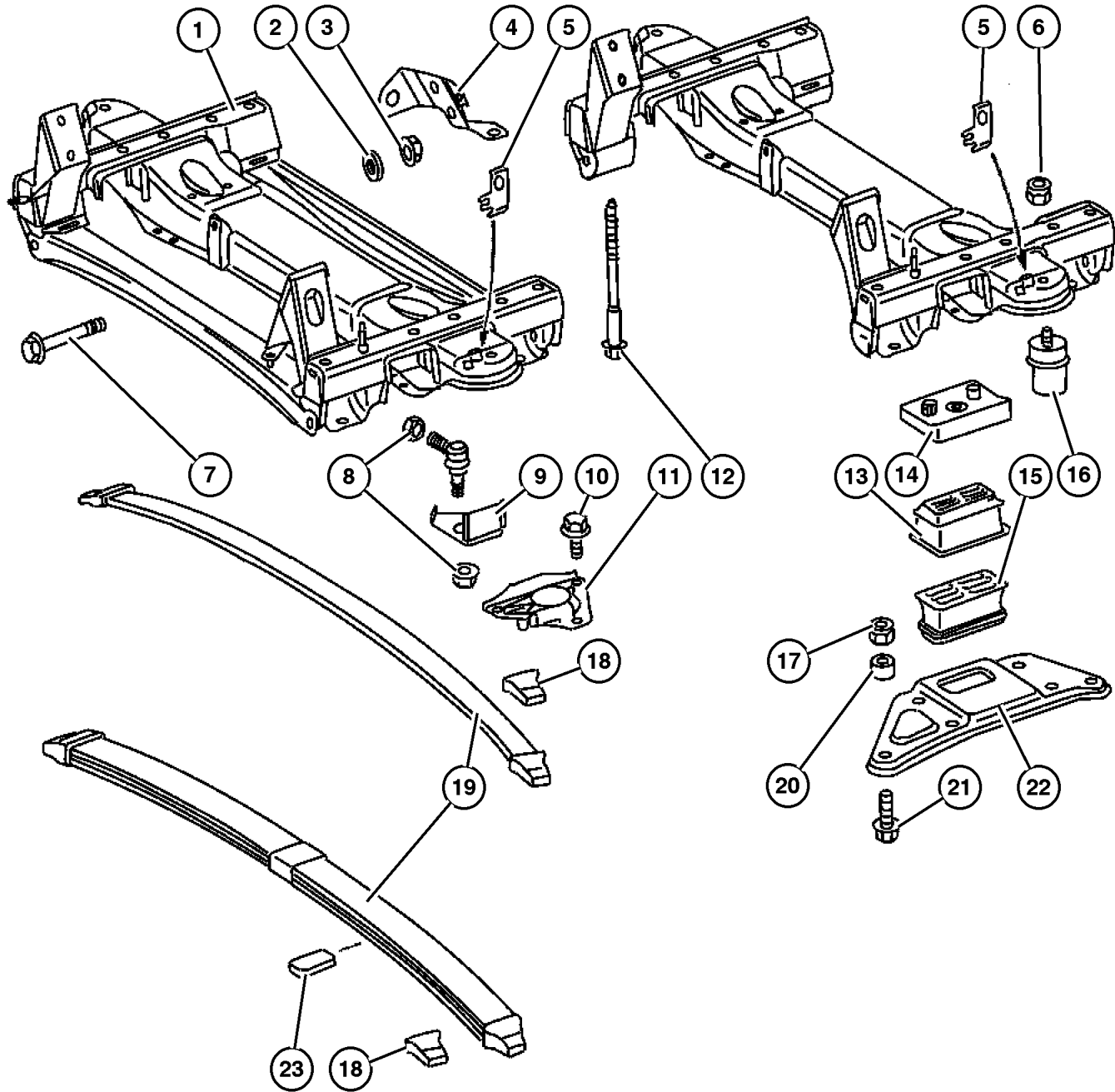
- Thank you very much for reading the preview of the manual.
- You can download the complete manual from: [www.heydownloads.com](http://www.heydownloads.com) by clicking the link below



- Please note: If there is no response to CLICKING the link, please download this PDF first and then click on it.

CLICK HERE TO **DOWNLOAD** THE COMPLETE MANUAL

## Front Spring Figure 002-140



ITEM	PART NUMBER	QTY	LINE	SERIES	BODY	ENGINE	TRANS	TRIM	DESCRIPTION
Note: Sales Codes									
Note: On Up To and From parts, you will have to refer to the Vehicle Data Card.									
Note: On SV#'s [Special Version codes], refer to the Vehicle Data Card.									
1									CROSSMEMBER, Front Axle
	5104 074AA	1	2, 6						
	5139 740AA	1							
2									WASHER, (NOT SERVICED) (Not Serviced)
3									NUT
	6104 718AA	2	2, 6	L	01, 02, 06				
		2	2, 6	L	11, 12, 14, 15, 16				
		2	2, 6	L	51, 52, 54, 55, 56				
		2	3, 7	L	02, 06				
		2	3, 7	L	12, 15, 16				
4									BRACKET, Steering Gear
	5119 553AA	1	2, 6	L	01, 02, 06				
		1	2, 6	L	11, 12, 14, 15, 16				
		1	2, 6	L	51, 52, 54, 55, 56				
		1	3, 7	L	02, 06				
		1	3, 7	L	12, 15, 16				
5									BRACKET, (NOT SERVICED) (Not Serviced)
6									NUT
	5132 896AA	6	2, 6	L	11, 12, 14, 15, 16				
		6	2, 6	L	51, 52, 54, 55, 56				
7									SCREW
	5125 714AA	4	2, 6	L	01, 02, 06				

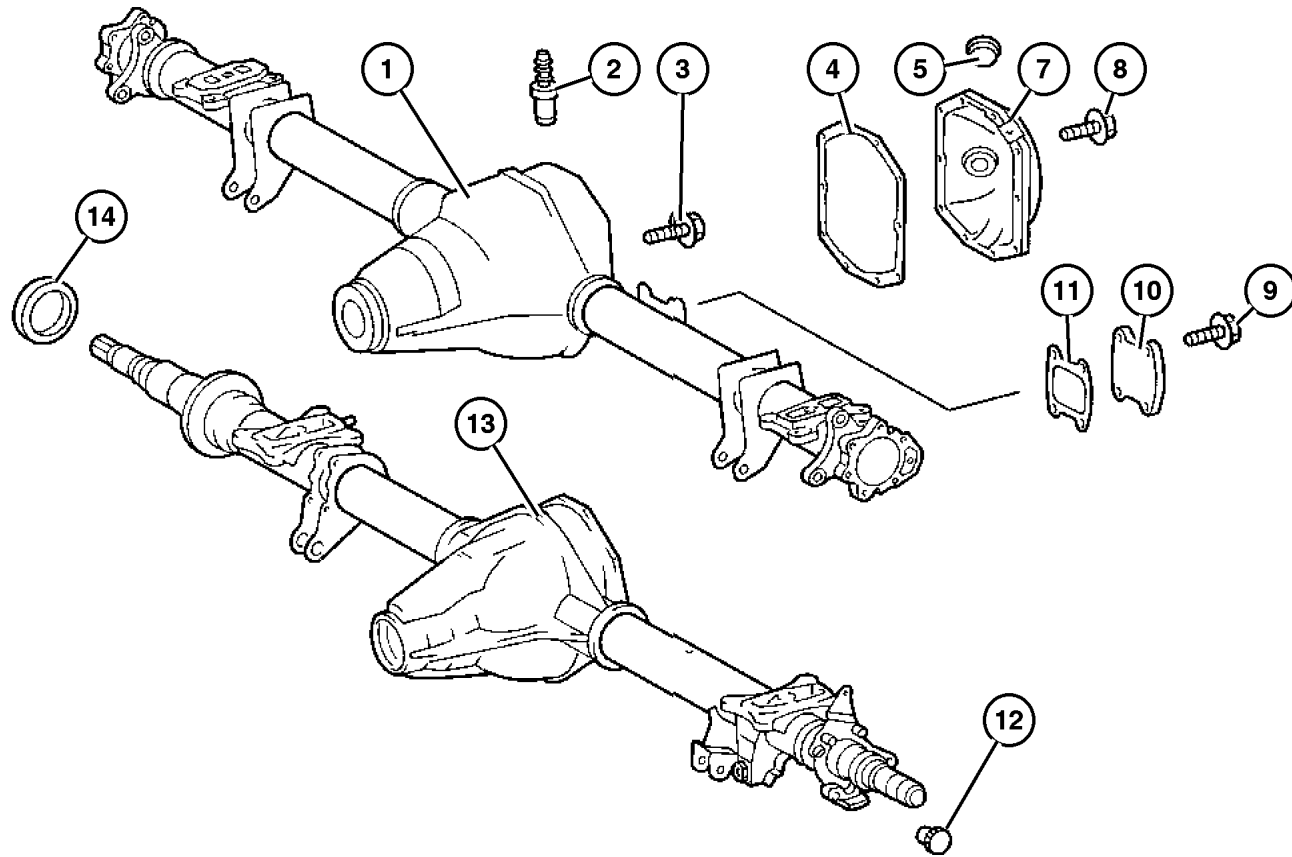
Refer to Model Legend Information Bookmark

AR = Use as required - = Non illustrated part # = New this model year

March 3, 2006

Differential Housing,Rear  
Figure 003-220

ITEM	PART NUMBER	QTY	LINE	SERIES	BODY	ENGINE	TRANS	TRIM	DESCRIPTION
	5104 027AA	1	3, 7	L	12, 15, 16				Right
	5134 665AA	1	3, 7	L	12, 15, 16				Left

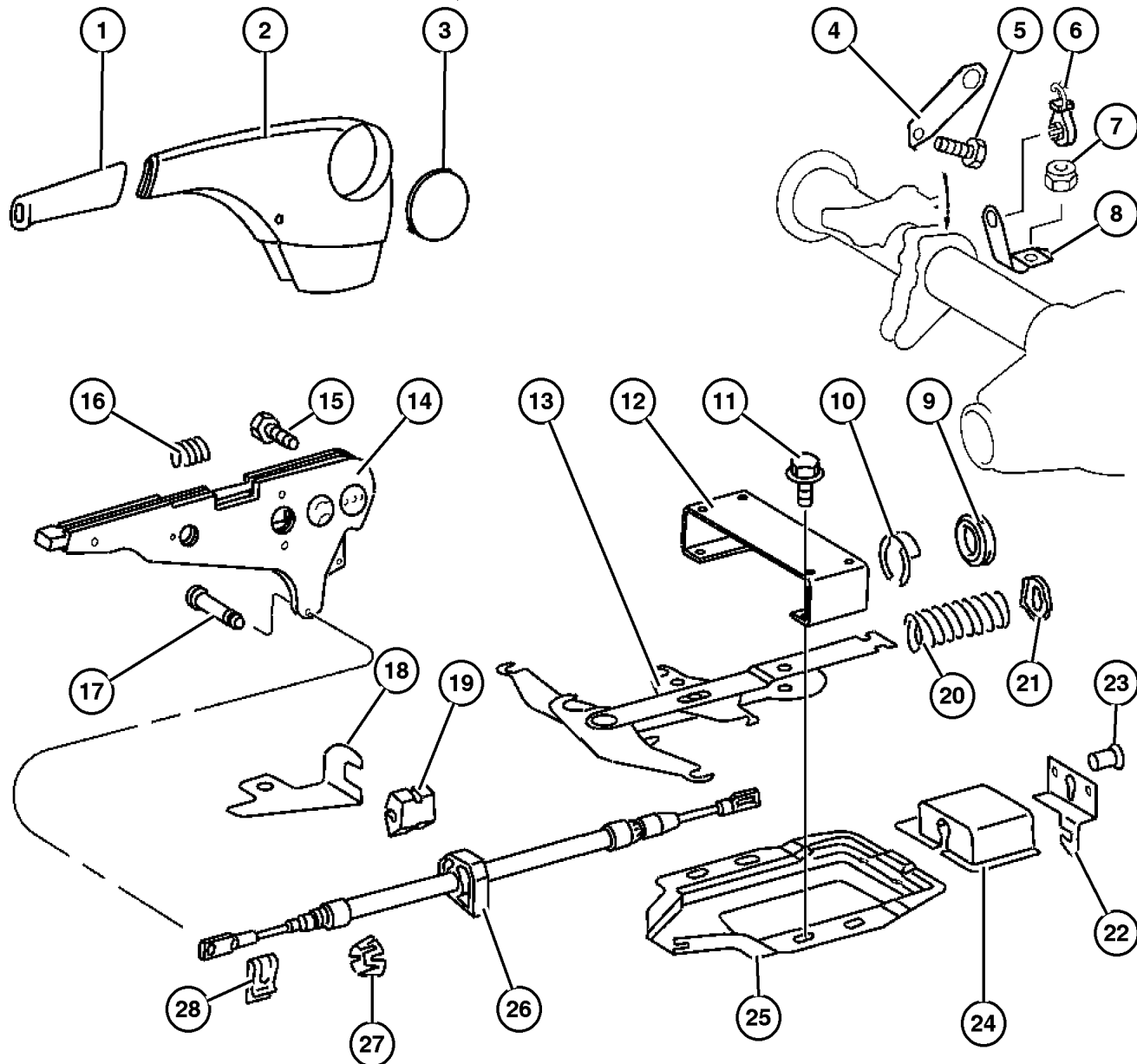


Refer to Model Legend Information Bookmark

AR = Use as required - = Non illustrated part # = New this model year

March 3, 2006

## Parking Brake Lever Assembly Figure 004-110



ITEM	PART NUMBER	QTY	LINE	SERIES	BODY	ENGINE	TRANS	TRIM	DESCRIPTION
		1	3, 7		02, 06				
		1	3, 7		12, 15, 16				
21	5119 287AA	1	2, 6		01, 02, 06				WASHER
		1	2, 6		11, 12, 14, 15, 16				
		1	2, 6		51, 52, 54, 55, 56				
		1	3, 7		02, 06				
		1	3, 7		12, 15, 16				
22									REINFORCEMENT, Park Brake Mounting
	5118 455AA	1	2, 6		01, 02 06				
		1	2, 6		06				
		1	2, 6		11, 12, 14, 15				
		1	3, 7		02				
		1	3, 7		06				
		1	3, 7		12, 15				
23									RIVET, Blind Bulb
	5133 417AA	3	2, 6		01, 02, 06				
		3	2, 6		11, 12, 14, 15, 16				
		3	2, 6		51, 52, 54, 55, 56				
		3	3, 7		02, 06				
		3	3, 7		12, 15, 16				
24									COVER, Parking Brake Cable
	5118 469AA	1	2, 6		01, 02, 06				
		1	2, 6		11, 12, 14, 15, 16				
		1	2, 6		51, 52, 54, 55, 56				

Refer to Model Legend Information Bookmark

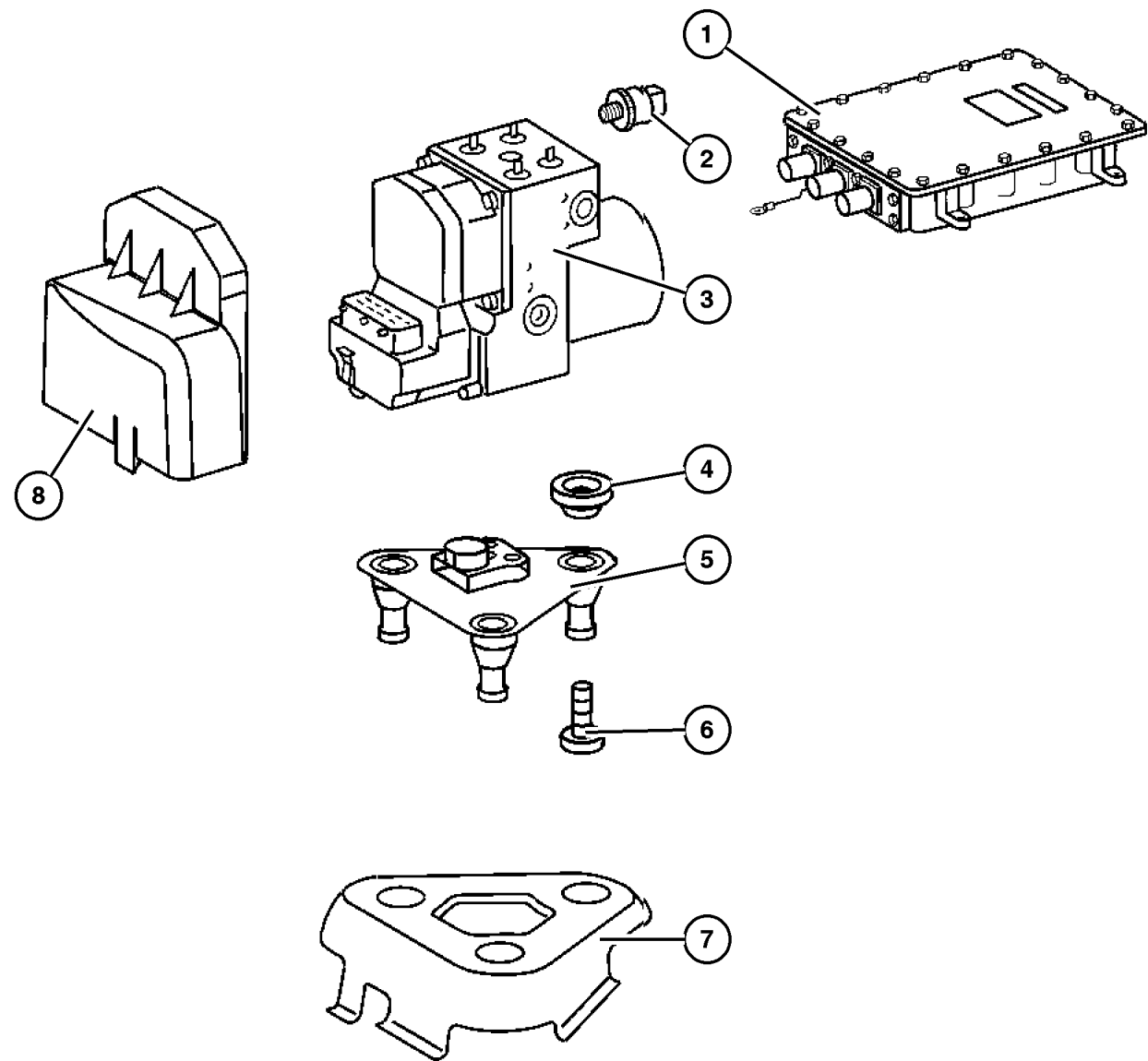
AR = Use as required - = Non illustrated part # = New this model year

March 3, 2006



## Hydraulic Control Unit and ABS Module Figure 005-420

ITEM	PART NUMBER	QTY	LINE	SERIES	BODY	ENGINE	TRANS	TRIM	DESCRIPTION
	5140 695AB	1	2, 6		01, 02, 06				[BGK,BNB,4DR]
		1	2, 6		11, 12, 14, 15, 16				[BGK,BNB,4DR]
		1	2, 6		51, 52, 54, 55, 56				[BGK,BNB,4DR]
	5127 536AA	1	3, 7		02, 06				[BGK]
		1	3, 7		12, 15, 16				[BGK]
4	5099 283AA	3	2, 6		01, 02, 06				GROMMET, Hydraulic Control Unit
		3	2, 6		11, 12, 14, 15, 16				
		3	2, 6		51, 52, 54, 55, 56				
		3	3, 7		02, 06				
		3	3, 7		12, 15, 16				
5									BRACKET, hydraulic control unit, upper
	5119 383AA	1	2, 6		01, 02, 06				
		1	2, 6		11, 12, 14, 15, 16				
		1	2, 6		51, 52, 54, 55, 56				
		1	3, 7		02, 06				
		1	3, 7		12, 15, 16				
6									SCREW
	5126 138AA	2	2, 6		01, 02, 06				
		2	2, 6		11, 12, 14, 15, 16				
		2	2, 6		51, 52, 54, 55, 56				

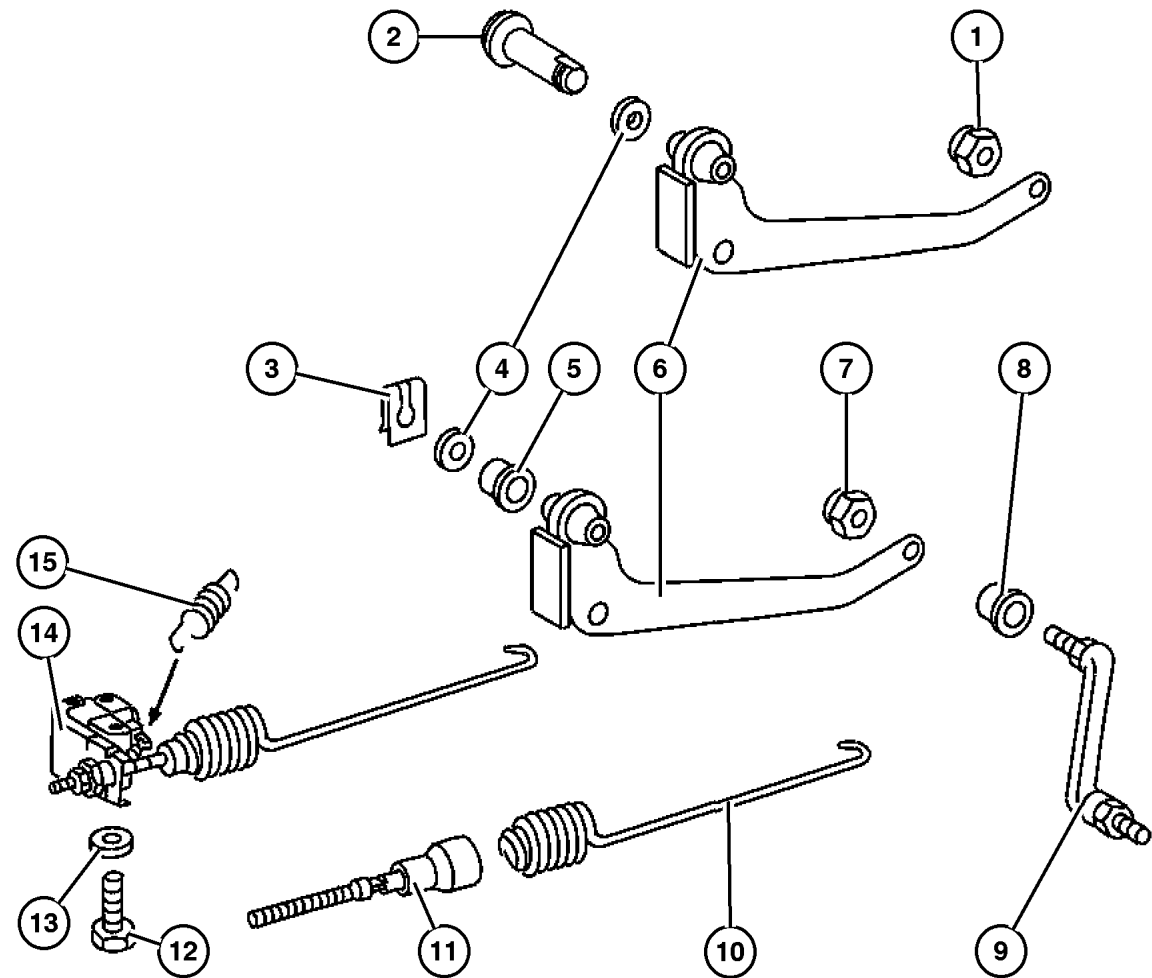


Refer to Model Legend Information Bookmark

AR = Use as required - = Non illustrated part # = New this model year

March 3, 2006

**Brake, Power Regulator  
Figure 005-520**



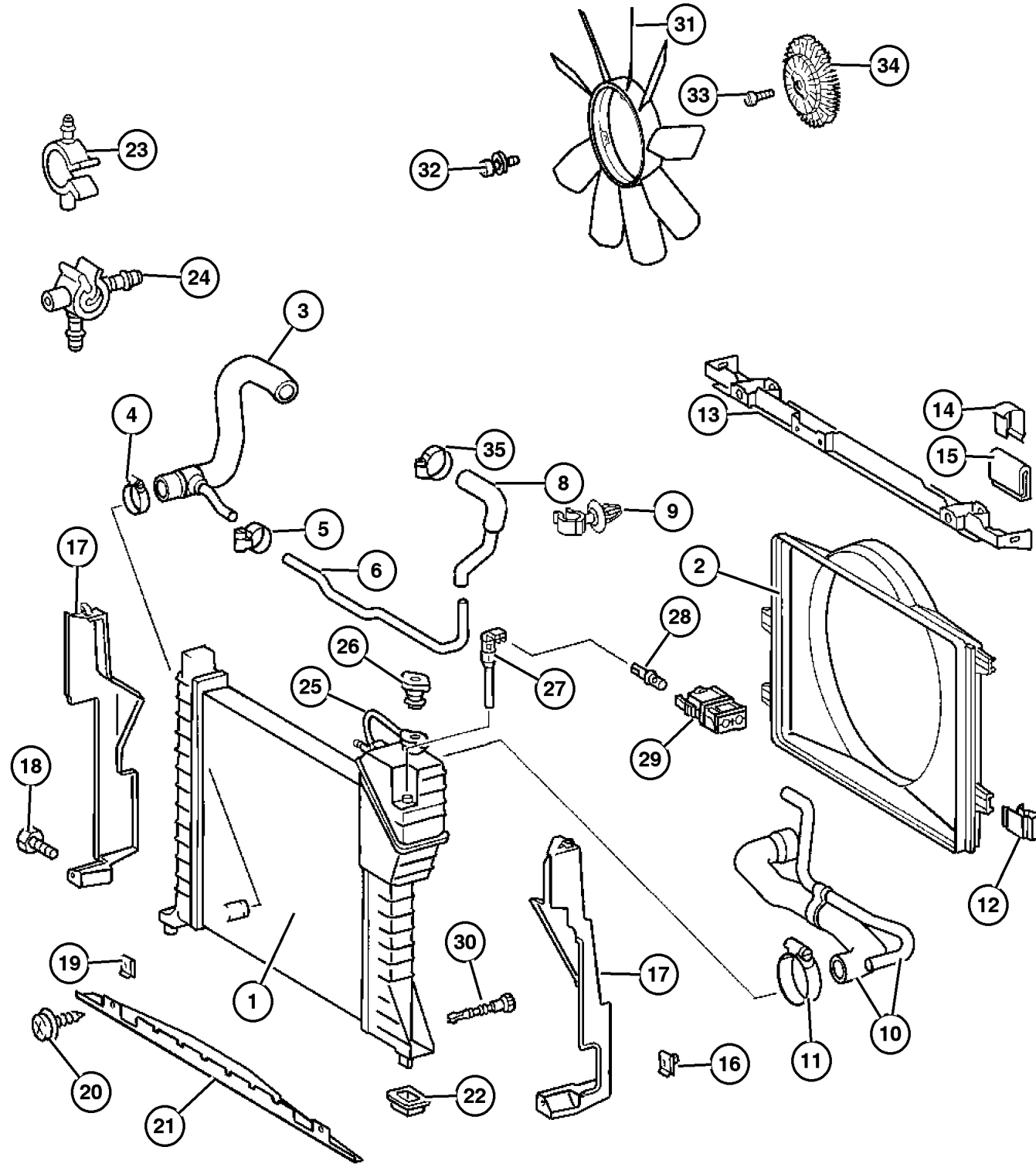
ITEM	PART NUMBER	QTY	LINE	SERIES	BODY	ENGINE	TRANS	TRIM	DESCRIPTION
1	5097 684AA	2	2, 3, 6, 7						NUT
2	5119 385AA	1	3, 7		02, 06				PIN
		1	3, 7		12, 15, 16				
3	5126 244AA	1	2, 6		01, 02, 06				CLIP, Retaining
		1	2, 6		11, 12, 14, 15, 16				
		1	2, 6		51, 52, 54, 55, 56				
		1	3, 7		02, 06				
		1	3, 7		12, 15, 16				
4	5133 725AA	1	2, 6		01, 02, 06				WASHER
		1	2, 6		11, 12, 14, 15, 16				
		1	2, 6		51, 52, 54, 55, 56				
		1	3, 7		02, 06				
		1	3, 7		12, 15, 16				
5	5096 550AA	2	2, 6		01, 02, 06				BUSHING, Pedal Shaft
		2	2, 6		11, 12, 14, 15, 16				
		2	2, 6		51, 52, 54, 55, 56				
		2	3, 7		02, 06				
		2	3, 7		12, 15, 16				
6	5119 337AA	1	2, 6		01, 02, 06				LEVER, Load Sensing

Refer to Model Legend Information Bookmark

AR = Use as required - = Non illustrated part # = New this model year

March 3, 2006

Radiator and Related Parts  
Figure 007-120



ITEM	PART NUMBER	QTY	LINE	SERIES	BODY	ENGINE	TRANS	TRIM	DESCRIPTION
	5104 123AA	2	2, 6			EX8	DGZ		
		2	3, 7			EX8	DGZ		
16	5103 733AA	3	2, 6			EX8	DGZ		NUT
		3	3, 7			EX8	DGZ		
17	5104 128AA	1	2, 6			EX8	DGZ		SHIELD, Side, Radiator Cooling
		1	3, 7			EX8	DGZ		Right
	5104 127AA	1	2, 6			EX8	DGZ		Right
		1	3, 7			EX8	DGZ		Left
18	5133 476AB	3	2, 6			EX8	DGZ		Left
		2	3, 7			EX8	DGZ		SCREW
19	5133 497AA	2	2, 6			EX8	DGZ		CLIP
		2	3, 7			EX8	DGZ		
20	6104 574AA	2	2, 6			EX8	DGZ		SCREW, Tapping
		4	3, 7			EX8	DGZ		
21	5104 129AA	1	2, 6			EX8	DGZ		SHIELD, Radiator
		1	3, 7			EX8	DGZ		
22	5104 021AA	2	2, 6			EX8	DGZ		ISOLATOR, Radiator
		2	3, 7			EX8	DGZ		
23									CLIP, (NOT SERVICED) (Not Serviced)
24	6104 924AA	1	2, 6			EX8	DGZ		CLIP, Retaining
		1	3, 7			EX8	DGZ		
25	5125 974AA	900	3, 7			EX8	DGZ		HOSE 1 METER
26	5103 533AA	1	2, 6			EX8	DGZ		CAP, Radiator
		1	3, 7			EX8	DGZ		
27	5120 509AA	1	2, 6			EX8	DGZ		SENSOR, Coolant Level
		1	3, 7			EX8	DGZ		
28	5120 519AA	1	2, 6			EX8	DGZ		TERMINAL
		1	3, 7			EX8	DGZ		
29	5120 692AA	1	2, 6			EX8	DGZ		CONNECTOR
		1	3, 7			EX8	DGZ		
30	5098 834AA	1	2, 6			EX8	DGZ		DRAINCOCK, Radiator

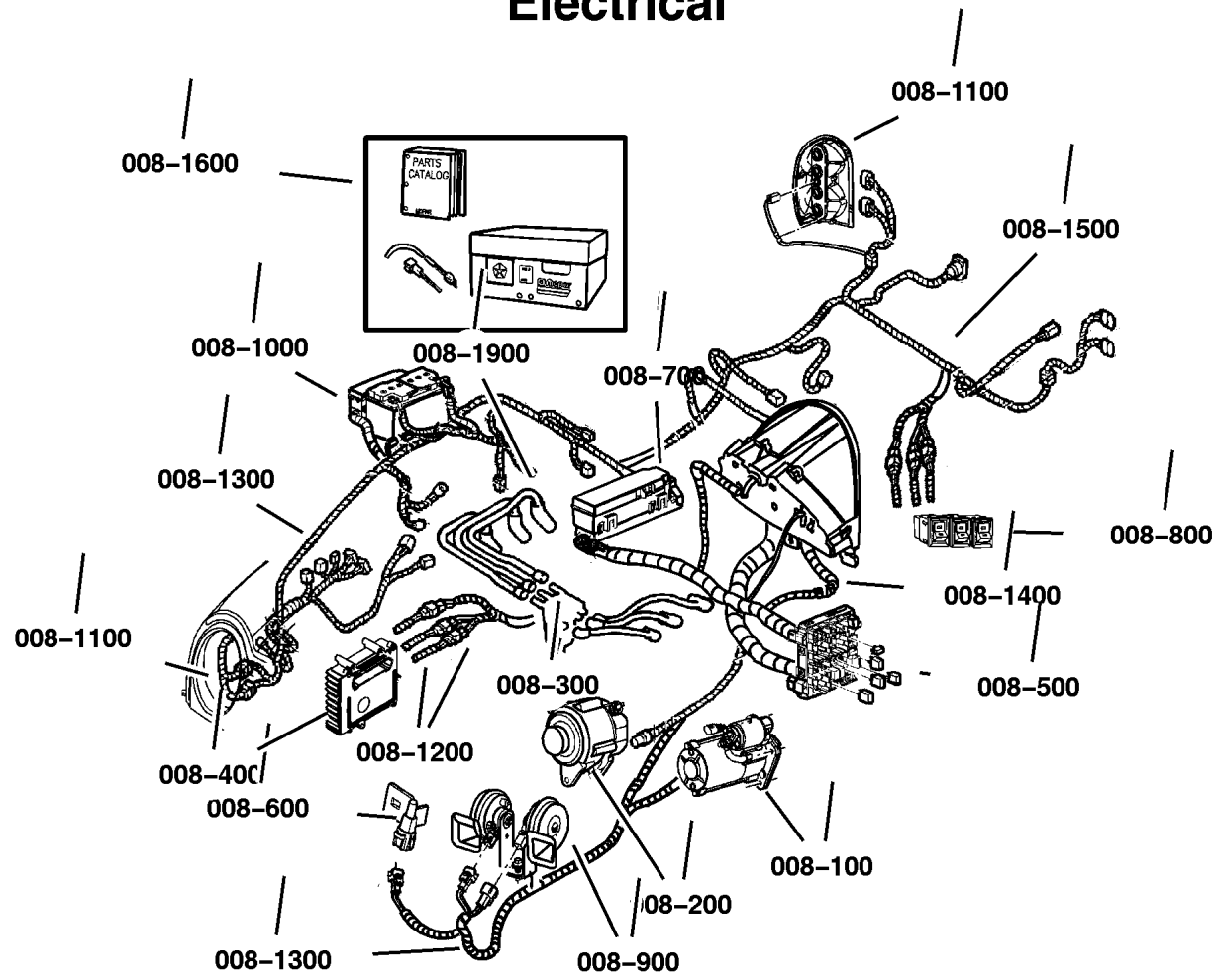
Refer to Model Legend Information Bookmark

AR = Use as required - = Non illustrated part # = New this model year

March 3, 2006

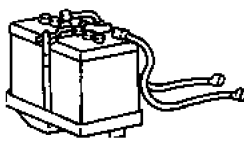
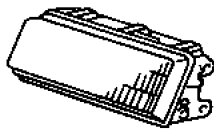
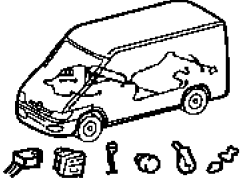
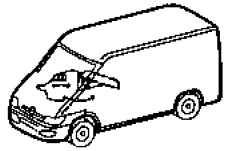
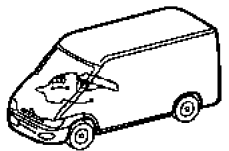
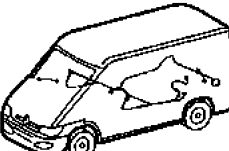
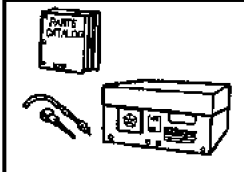


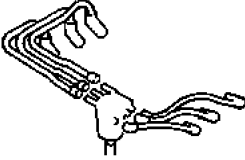
# Group – 008

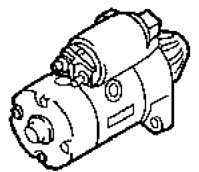
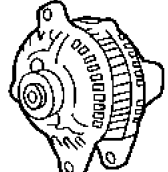
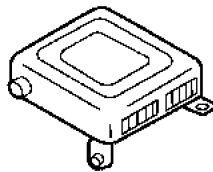

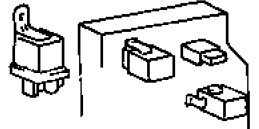
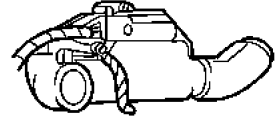
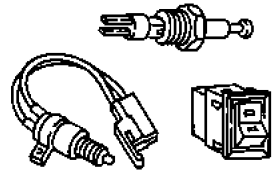
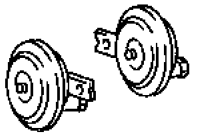
## Electrical



# Group – 008

## Electrical

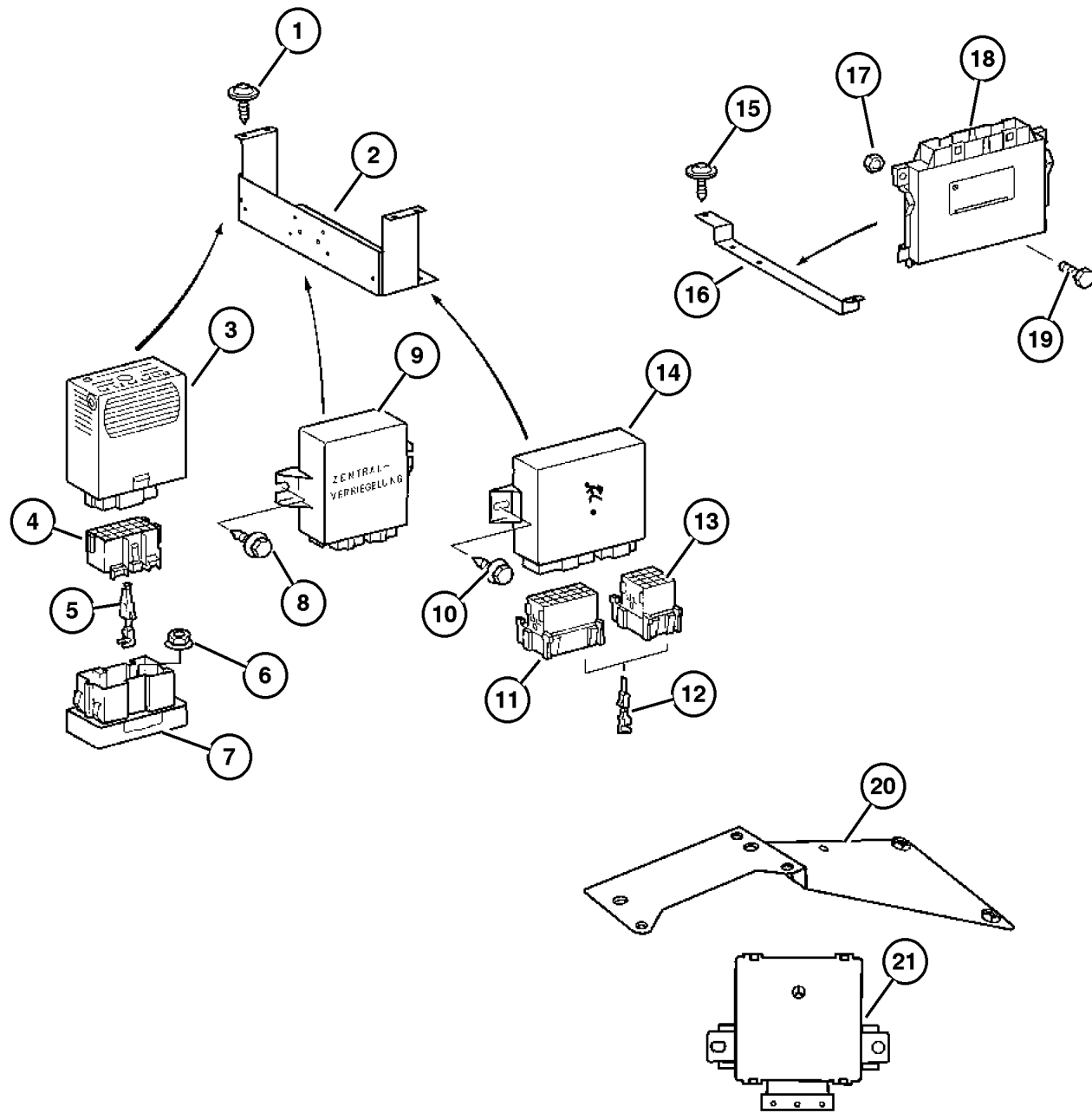
<b>008-1000</b> Battery Tray and Cables 	<b>008-1100</b> Lamps – Front, Rear and Courtesy 	<b>008-1200</b> Wiring-Engine & Related Parts 	<b>008-1300</b> Wiring-Headlamp to Dash 
<b>008-1400</b> Wiring-Instrument Panel 	<b>008-1500</b> Wiring-Body & Accessories 	<b>008-1600</b> Wiring Repair 	<b>008-1700</b> Air Bag Systems 
<b>008-1800</b> Park Assist 	<b>008-1900</b> Spark Plugs-Cables-Coils 		

<b>008-100</b> Starters 	<b>008-200</b> Alternators 	<b>008-400</b> Modules 	<b>008-500</b> Relays 
<b>008-600</b> Sensors 	<b>008-700</b> Single Board Engine Controllers 	<b>008-800</b> Switches 	<b>008-900</b> Horns 



Modules and Related Parts  
Figure 008-410

ITEM	PART NUMBER	QTY	LINE	SERIES	BODY	ENGINE	TRANS	TRIM	DESCRIPTION
		1	2, 6	L	51, 52, 54, 55, 56	EX8	DGZ		
		1	3, 7	L	02, 06	EX8	DGZ		
		1	3, 7	L	12, 15, 16	EX8	DGZ		
5	5103 881AA	99	2, 6	L	01, 02, 06	EX8	DGZ		TERMINAL
		99	2, 6	L	11, 12, 14, 15, 16	EX8	DGZ		
		99	2, 6	L	51, 52, 54, 55, 56	EX8	DGZ		
		99	3, 7	L	02, 06	EX8	DGZ		
		99	3, 7	L	12, 15, 16	EX8	DGZ		
6	6104 714AA	2	2, 6	L	01, 02, 06	EX8	DGZ		NUT
		2	2, 6	L	11, 12, 14, 15, 16	EX8	DGZ		
		2	2, 6	L	51, 52, 54, 55, 56	EX8	DGZ		
		2	3, 7	L	02, 06	EX8	DGZ		
		2	3, 7	L	12, 15, 16	EX8	DGZ		
7	5139 184AA	1	2, 6	L	01, 02, 06	EX8	DGZ		CONNECTOR
		1	2, 6	L	11, 12, 14, 15, 16	EX8	DGZ		
		1	2, 6	L	51, 52, 54, 55, 56	EX8	DGZ		
		1	3, 7	L	02, 06	EX8	DGZ		
		1	3, 7	L	12, 15, 16	EX8	DGZ		
8	5104 609AA	4	2, 6	L	01, 02, 06	EX8	DGZ		SCREW

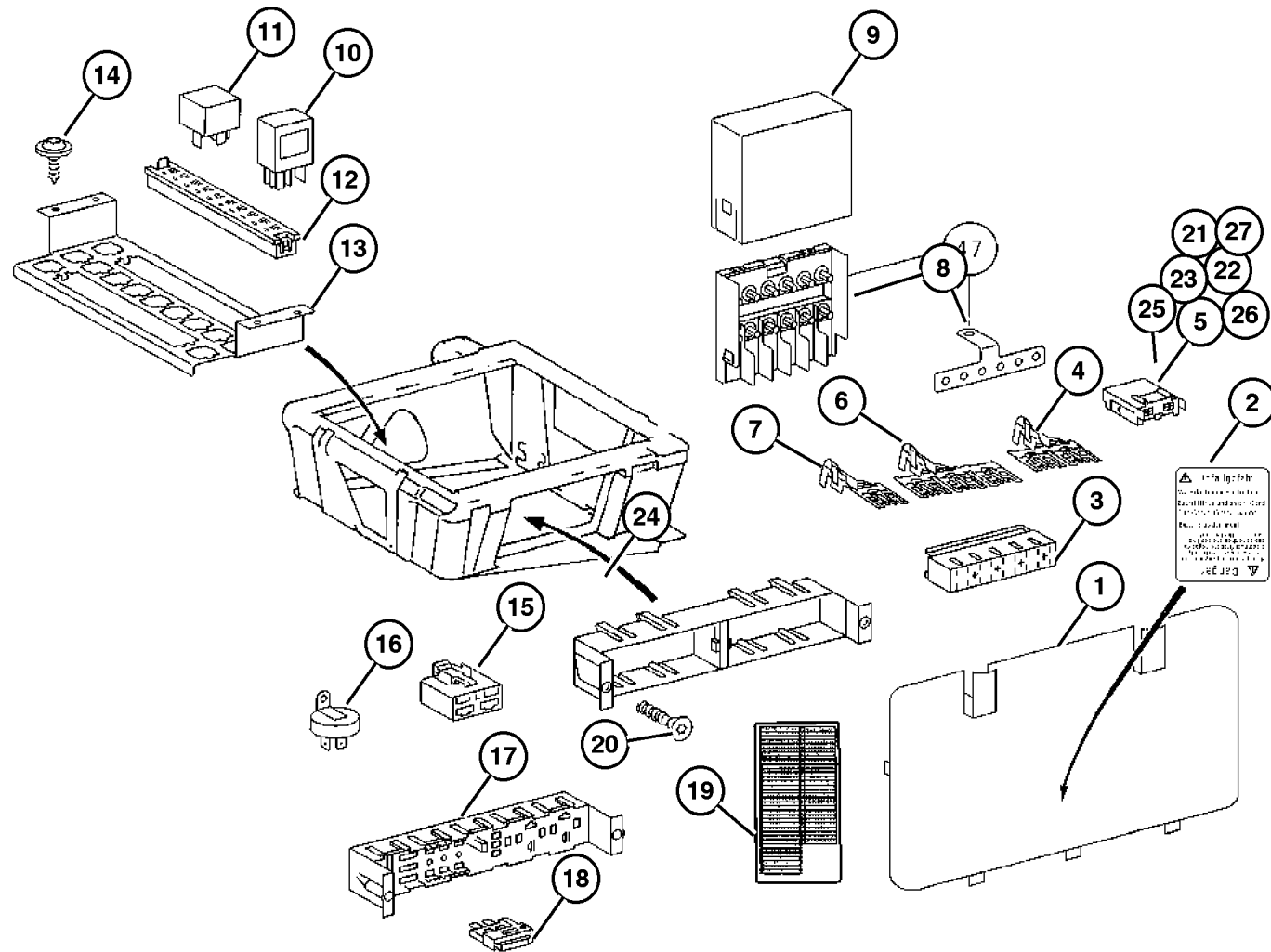


Refer to Model Legend Information Bookmark

AR = Use as required - = Non illustrated part # = New this model year

March 3, 2006

## Under Seat - Relays & Fuses Figure 008-505



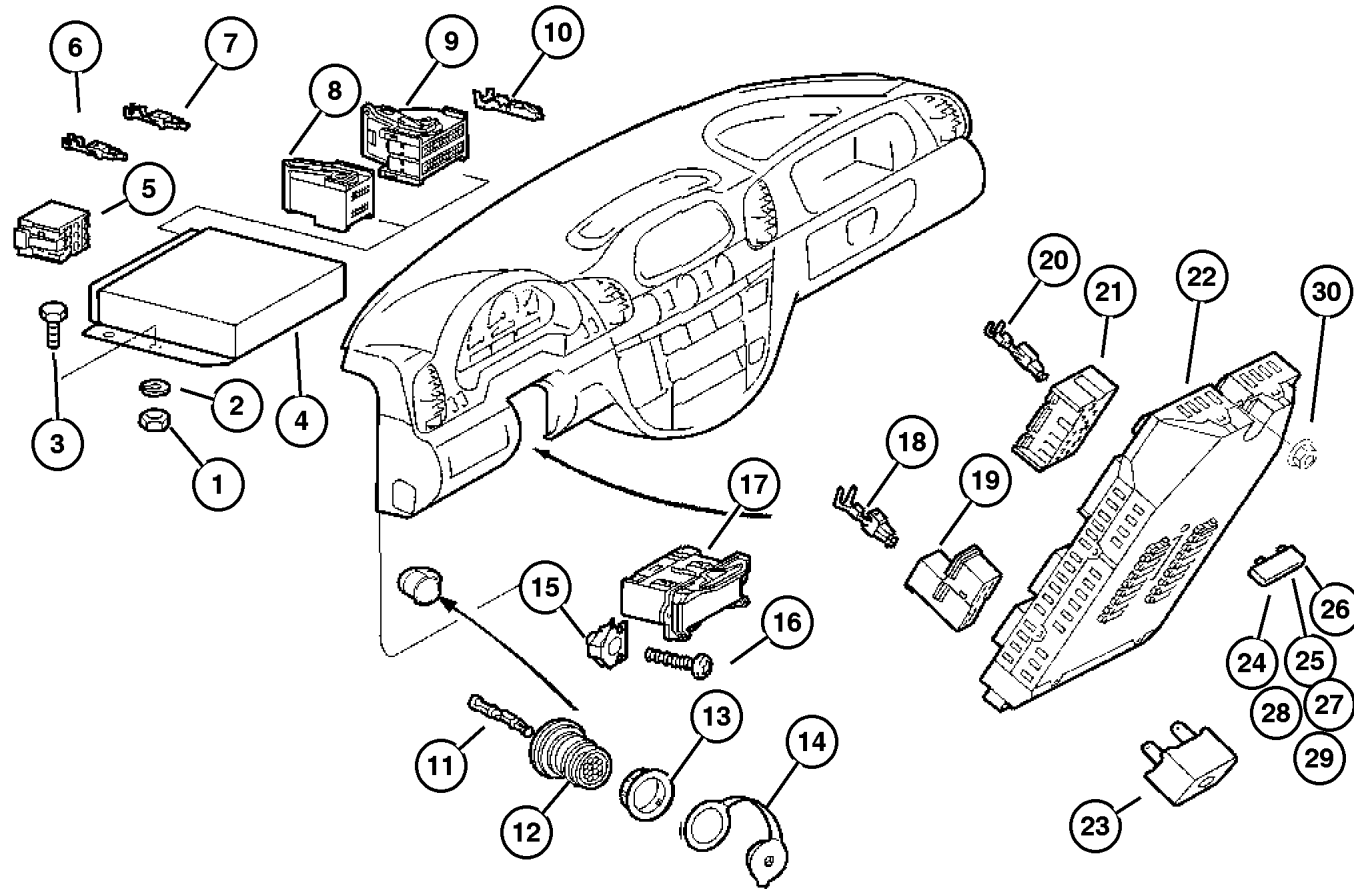
ITEM	PART NUMBER	QTY	LINE	SERIES	BODY	ENGINE	TRANS	TRIM	DESCRIPTION
		1	3, 7	L	12, 15, 16	EX8	DGZ		
18	5120 963AA	1	2, 6	L	01, 02, 06	EX8	DGZ		DIODE
		1	2, 6	L	11, 12, 14, 15, 16	EX8	DGZ		
		1	2, 6	L	51, 52, 54, 55, 56	EX8	DGZ		
		1	3, 7	L	02, 06	EX8	DGZ		
		1	3, 7	L	12, 15, 16	EX8	DGZ		
19	5121 117AA	1	2, 6	L	01, 02, 06	EX8	DGZ		LABEL
		1	2, 6	L	11, 12, 14, 15, 16	EX8	DGZ		
		1	2, 6	L	51, 52, 54, 55, 56	EX8	DGZ		
		1	3, 7	L	02, 06	EX8	DGZ		
		1	3, 7	L	12, 15, 16	EX8	DGZ		
20	6104 654AA	2	2, 6	L	01, 02, 06	EX8	DGZ		SCREW, Counter Sunk
		2	2, 6	L	11, 12, 14, 15, 16	EX8	DGZ		
		2	2, 6	L	51, 52, 54, 55, 56	EX8	DGZ		
		2	3, 7	L	02, 06	EX8	DGZ		
		2	3, 7	L	12, 15, 16	EX8	DGZ		
21	5120 507AA	1	2, 6	L	01, 02, 06	EX8	DGZ		CONNECTOR
		1	2, 6	L	11, 12, 14, 15, 16	EX8	DGZ		

Refer to Model Legend Information Bookmark

AR = Use as required - = Non illustrated part # = New this model year

March 3, 2006

**Instrument Panel - Relays & Fuses**  
**Figure 008-510**



ITEM	PART NUMBER	QTY	LINE	SERIES	BODY	ENGINE	TRANS	TRIM	DESCRIPTION
		99	2, 6	L	51, 52, 54, 55, 56	EX8	DGZ		
		99	3, 7	L	02, 06	EX8	DGZ		
		99	3, 7	L	12, 15, 16	EX8	DGZ		
25	5104 604AA	1	2, 6	L	01, 02, 06	EX8	DGZ		FUSE 20 AMP
		1	2, 6	L	11, 12, 14, 15, 16	EX8	DGZ		20 AMP
		1	2, 6	L	51, 52, 54, 55, 56	EX8	DGZ		20 AMP
		1	3, 7	L	02, 06	EX8	DGZ		20 AMP
		1	3, 7	L	12, 15, 16	EX8	DGZ		20 AMP
26	5104 605AA	1	2, 6	L	01, 02, 06	EX8	DGZ		FUSE 30 AMP
		1	2, 6	L	11, 12, 14, 15, 16	EX8	DGZ		30 AMP
		1	2, 6	L	51, 52, 54, 55, 56	EX8	DGZ		30 AMP
		1	3, 7	L	02, 06	EX8	DGZ		30 AMP
		1	3, 7	L	12, 15, 16	EX8	DGZ		30 AMP
	5104 644AA	99	2, 6	L	01, 02, 06	EX8	DGZ		25 AMP
		99	2, 6	L	11, 12, 14, 15, 16	EX8	DGZ		25 AMP
		99	2, 6	L	51, 52, 54, 55, 56	EX8	DGZ		25 AMP
		99	3, 7	L	02, 06	EX8	DGZ		25 AMP
		99	3, 7	L	12, 15, 16	EX8	DGZ		25 AMP
27	5101 467AA	99	2, 6	L	01, 02, 06	EX8	DGZ		FUSE, Standard, 15 AMP, Light Blue

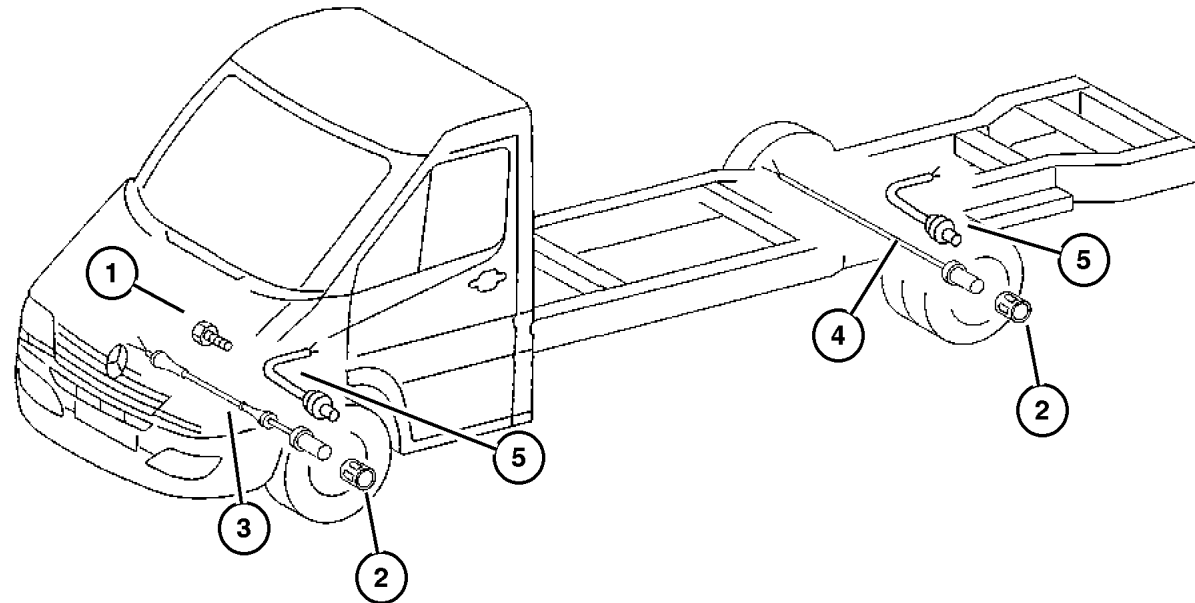
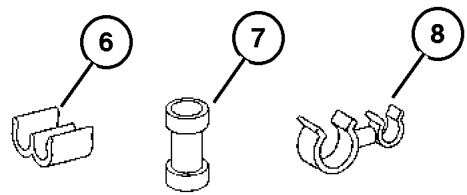
Refer to Model Legend Information Bookmark

AR = Use as required - = Non illustrated part # = New this model year

March 3, 2006

Sensors - Brakes  
Figure 008-615

ITEM	PART NUMBER	QTY	LINE	SERIES	BODY	ENGINE	TRANS	TRIM	DESCRIPTION
		1	2, 6	L	11, 12, 14, 15, 16	EX8	DGZ		ALSO ORDER 2 X 05120376AA, 1 X 05103755AA & 1 X 05103801AA
		1	2, 6	L	51, 52, 54, 55, 56	EX8	DGZ		ALSO ORDER 2 X 05120376AA, 1 X 05103755AA & 1 X 05103801AA
		1	3, 7	L	02, 06	EX8	DGZ		ALSO ORDER 2 X 05120376AA, 1 X 05103755AA & 1 X 05103801AA
		1	3, 7	L	12, 15, 16	EX8	DGZ		ALSO ORDER 2 X 05120376AA, 1 X 05103755AA & 1 X 05103801AA
5									WIRING, Brake Indicator
	5103 654AA	1	2, 6	L	01, 02, 06	EX8	DGZ		
		1	2, 6	L	11, 12, 14, 15, 16	EX8	DGZ		
		1	2, 6	L	51, 52, 54, 55, 56	EX8	DGZ		
		1	3, 7	L	02, 06	EX8	DGZ		
		1	3, 7	L	12, 15, 16	EX8	DGZ		
6									CLIP, Wiring
	5126 024AA	2	2, 6	L	01, 02, 06	EX8	DGZ		
		2	2, 6	L	11, 12, 14, 15, 16	EX8	DGZ		
		2	2, 6	L	51, 52, 54, 55, 56	EX8	DGZ		
		2	3, 7	L	02, 06	EX8	DGZ		
		2	3, 7	L	12, 15, 16	EX8	DGZ		
7									CONNECTOR
	5103 755AA	99	2, 6	L	01, 02, 06	EX8	DGZ		
		99	2, 6	L	11, 12, 14, 15, 16	EX8	DGZ		
		99	2, 6	L	51, 52, 54, 55, 56	EX8	DGZ		

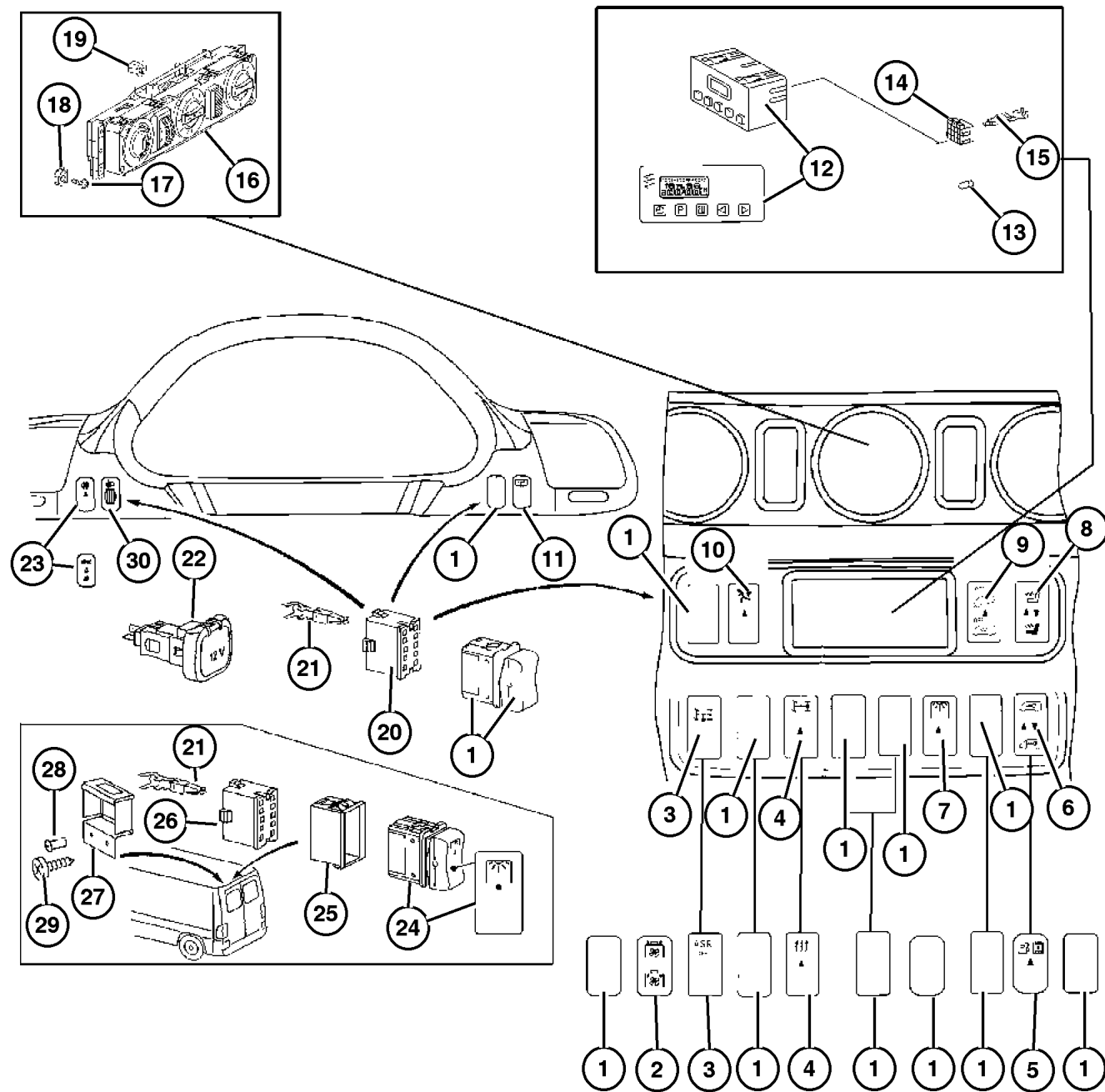


Refer to Model Legend Information Bookmark

AR = Use as required - = Non illustrated part # = New this model year

March 3, 2006

Switches - Instrument Panel  
Figure 008-805



ITEM	PART NUMBER	QTY	LINE	SERIES	BODY	ENGINE	TRANS	TRIM	DESCRIPTION
		1	2, 6	L	11, 12, 14, 15, 16	EX8	DGZ		[HAB,3JV]
		1	2, 6	L	51, 52, 54, 55, 56	EX8	DGZ		[HAB,3JV]
		1	3, 7	L	02, 06	EX8	DGZ		[HAB,3JV]
		1	3, 7	L	12, 15, 16	EX8	DGZ		[HAB,3JV]
	5103 690AA	1	2, 6	L	01, 02, 06	EX8	DGZ		
		1	2, 6	L	11, 12, 14, 15, 16	EX8	DGZ		
		1	2, 6	L	51, 52, 54, 55, 56	EX8	DGZ		
		1	3, 7	L	02, 06	EX8	DGZ		
		1	3, 7	L	12, 15, 16	EX8	DGZ		
17									SCREW
	6104 610AA	2	2, 6	L	01, 02, 06	EX8	DGZ		
		2	2, 6	L	11, 12, 14, 15, 16	EX8	DGZ		
		2	2, 6	L	51, 52, 54, 55, 56	EX8	DGZ		
		2	3, 7	L	02, 06	EX8	DGZ		
		2	3, 7	L	12, 15, 16	EX8	DGZ		
18									NUT, Spring
	5125 861AA	2	2, 6	L	01, 02, 06	EX8	DGZ		
		2	2, 6	L	11, 12, 14, 15, 16	EX8	DGZ		
		2	2, 6	L	51, 52, 54, 55, 56	EX8	DGZ		
		2	3, 7	L	02, 06	EX8	DGZ		
		2	3, 7	L	12, 15, 16	EX8	DGZ		
19									BULB

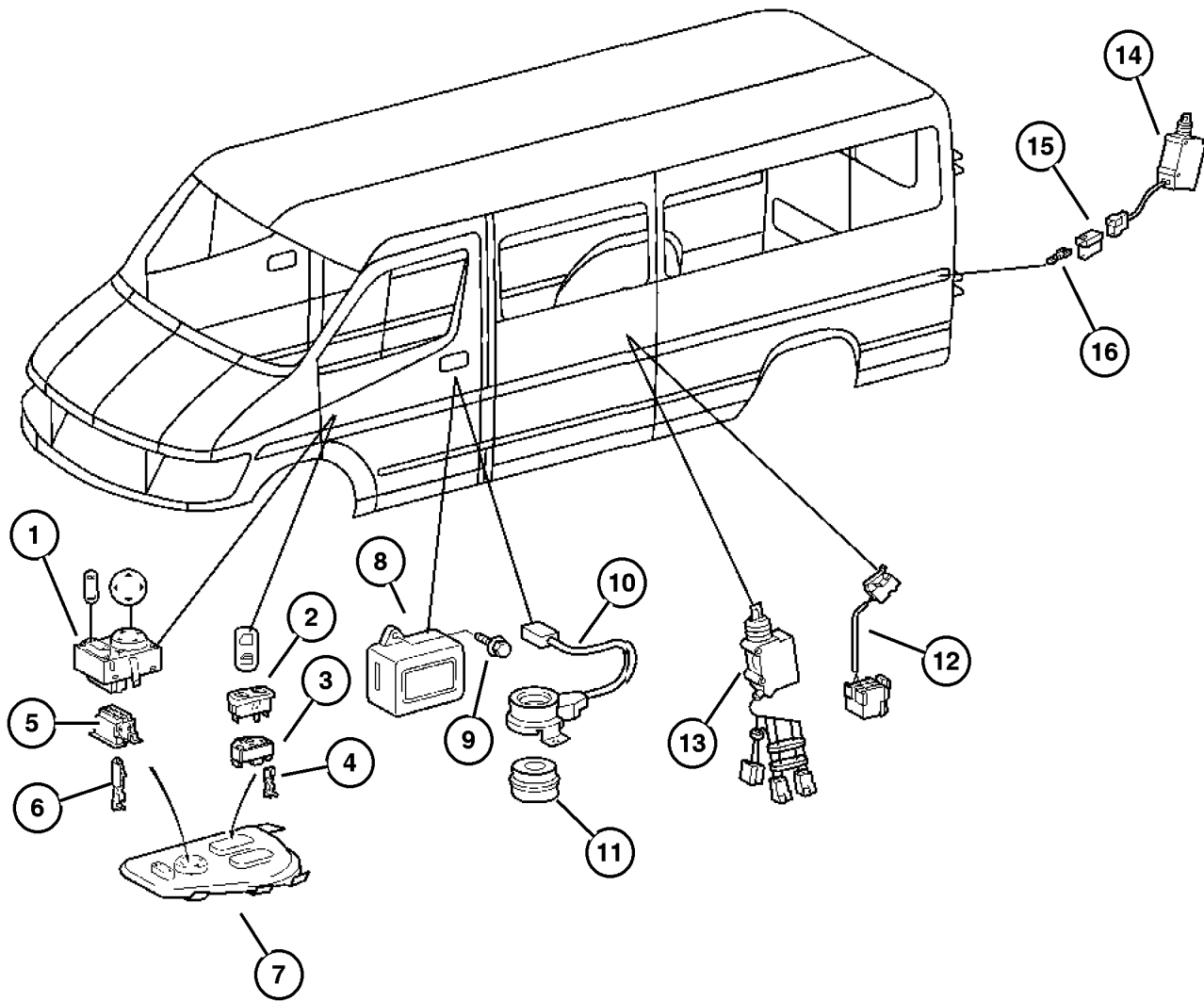
Refer to Model Legend Information Bookmark

AR = Use as required - = Non illustrated part # = New this model year

March 3, 2006

Switches - Doors  
Figure 008-815

ITEM	PART NUMBER	QTY	LINE	SERIES	BODY	ENGINE	TRANS	TRIM	DESCRIPTION
		3	2, 6	L	51, 52, 54, 55, 56	EX8	DGZ		
		3	3, 7	L	02, 06	EX8	DGZ		
		3	3, 7	L	12, 15, 16	EX8	DGZ		
10	5120 812AA	1	2, 6	L	11, 12, 14, 15, 16	EX8	DGZ		TRANSPONDER, Steering Wheel
		1	2, 6	L	51, 52, 54, 55, 56	EX8	DGZ		
		1	2, 6	L	01, 02, 06	EX8	DGZ		
		1	3, 7	L	12, 15, 16	EX8	DGZ		
11	5104 593AA	1	3, 7	L	02, 06	EX8	DGZ		RING
		1	2, 6	L	11, 12, 14, 15, 16	EX8	DGZ		
		1	2, 6	L	51, 52, 54, 55, 56	EX8	DGZ		
		1	2, 6	L	01, 02, 06	EX8	DGZ		
		1	3, 7	L	02, 06	EX8	DGZ		
		1	3, 7	L	12, 15, 16	EX8	DGZ		
12	5133 527AA	1	2, 6	L	11, 12, 14, 15, 16	EX8	DGZ		SWITCH, Door Lock Right
		1	2, 6	L	51, 52, 54, 55, 56	EX8	DGZ		Right
		1	3, 7	L	12, 15, 16	EX8	DGZ		Right
	5133 999AA	1	2, 6	L	11, 12, 14, 15, 16	EX8	DGZ		Left
		1	2, 6	L	51, 52, 54, 55, 56	EX8	DGZ		Left

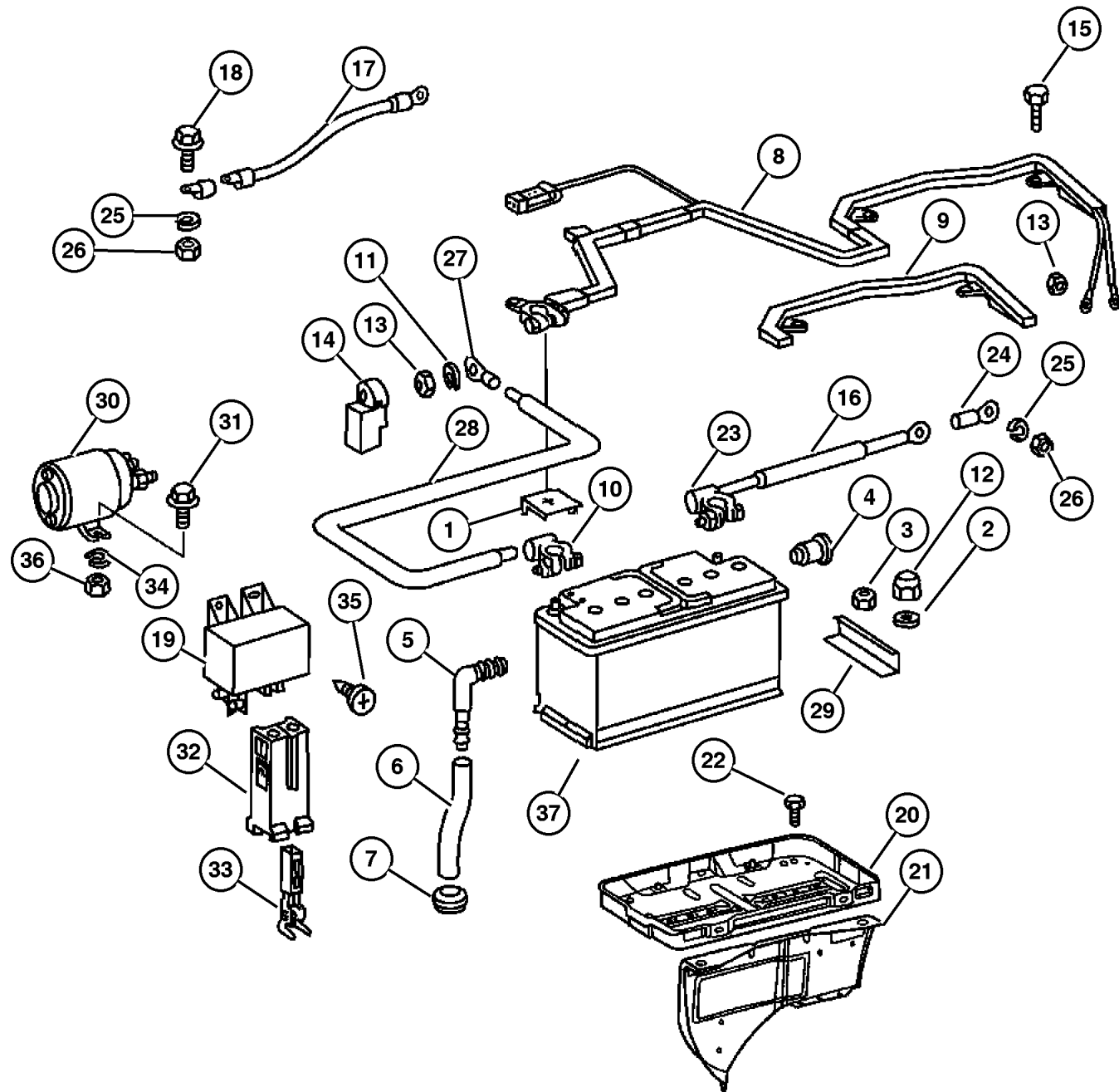


Refer to Model Legend Information Bookmark

AR = Use as required - = Non illustrated part # = New this model year

March 3, 2006

Battery Tray & Cables  
Figure 008-1005



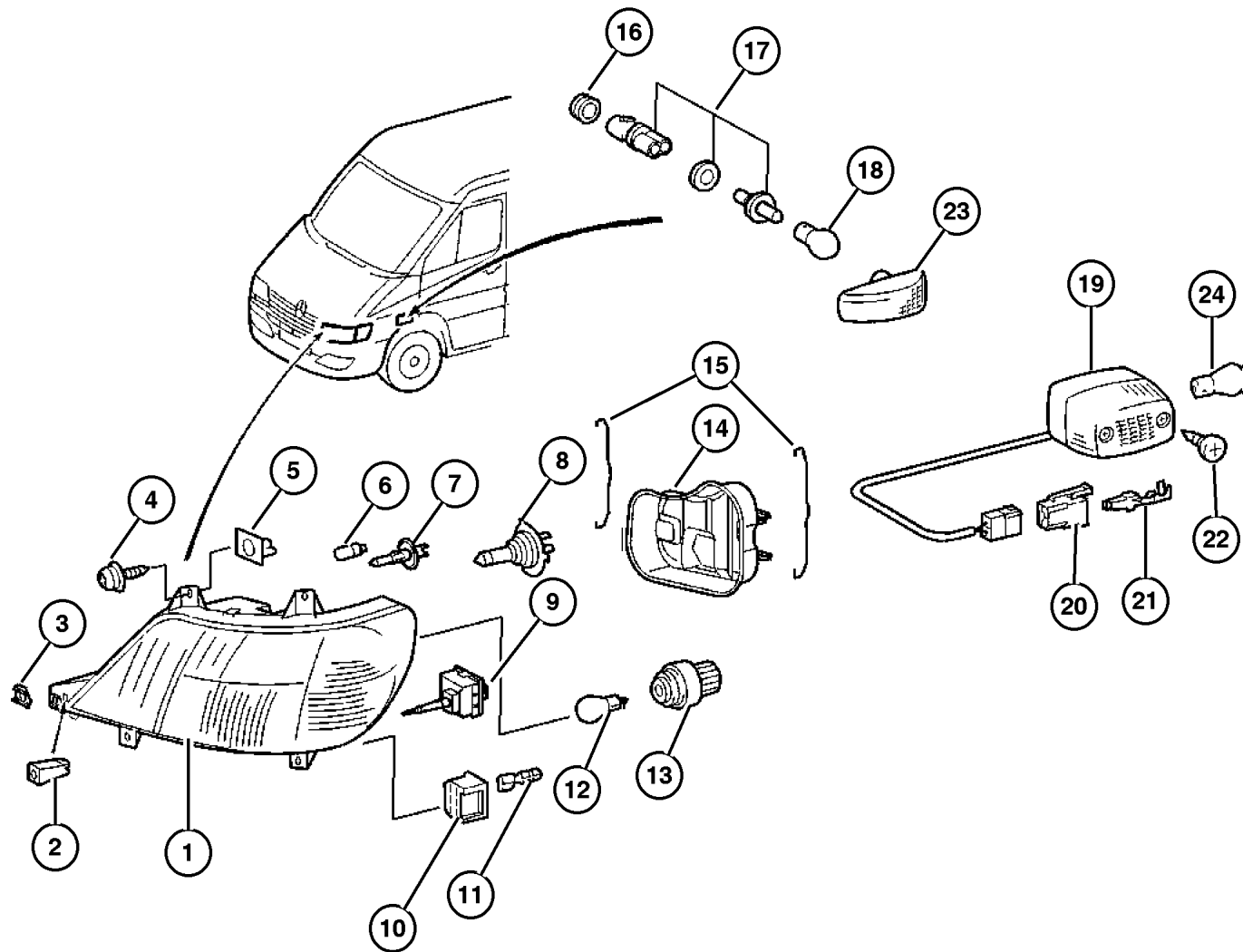
ITEM	PART NUMBER	QTY	LINE	SERIES	BODY	ENGINE	TRANS	TRIM	DESCRIPTION
	6104 709AA	1	2, 6	L	01, 02, 06	EX8	DGZ		
		1	2, 6	L	11, 12, 14, 15, 16	EX8	DGZ		
		1	2, 6	L	51, 52, 54, 55, 56	EX8	DGZ		
		1	3, 7	L	02, 06	EX8	DGZ		
		1	3, 7	L	12, 15, 16	EX8	DGZ		
14									COVER, Battery Terminal
	5120 925AA	1	2, 6	L	01, 02, 06	EX8	DGZ		
		1	2, 6	L	11, 12, 14, 15, 16	EX8	DGZ		
		1	2, 6	L	51, 52, 54, 55, 56	EX8	DGZ		
		1	3, 7	L	02, 06	EX8	DGZ		
		1	3, 7	L	12, 15, 16	EX8	DGZ		
15									SCREW
	5073 824AA	2	2, 6	L	01, 02, 06	EX8	DGZ		
		2	2, 6	L	11, 12, 14, 15, 16	EX8	DGZ		
		2	2, 6	L	51, 52, 54, 55, 56	EX8	DGZ		
		2	3, 7	L	02, 06	EX8	DGZ		
		2	3, 7	L	12, 15, 16	EX8	DGZ		
16									CABLE, Battery Negative
	5120 219AA	1	2, 6	L	01, 02, 06	EX8	DGZ		
		1	2, 6	L	11, 12, 14, 15, 16	EX8	DGZ		
		1	2, 6	L	51, 52, 54, 55, 56	EX8	DGZ		
		1	3, 7	L	02, 06	EX8	DGZ		

Refer to Model Legend Information Bookmark

AR = Use as required - = Non illustrated part # = New this model year

March 3, 2006

Lamps - Front End  
Figure 008-1105



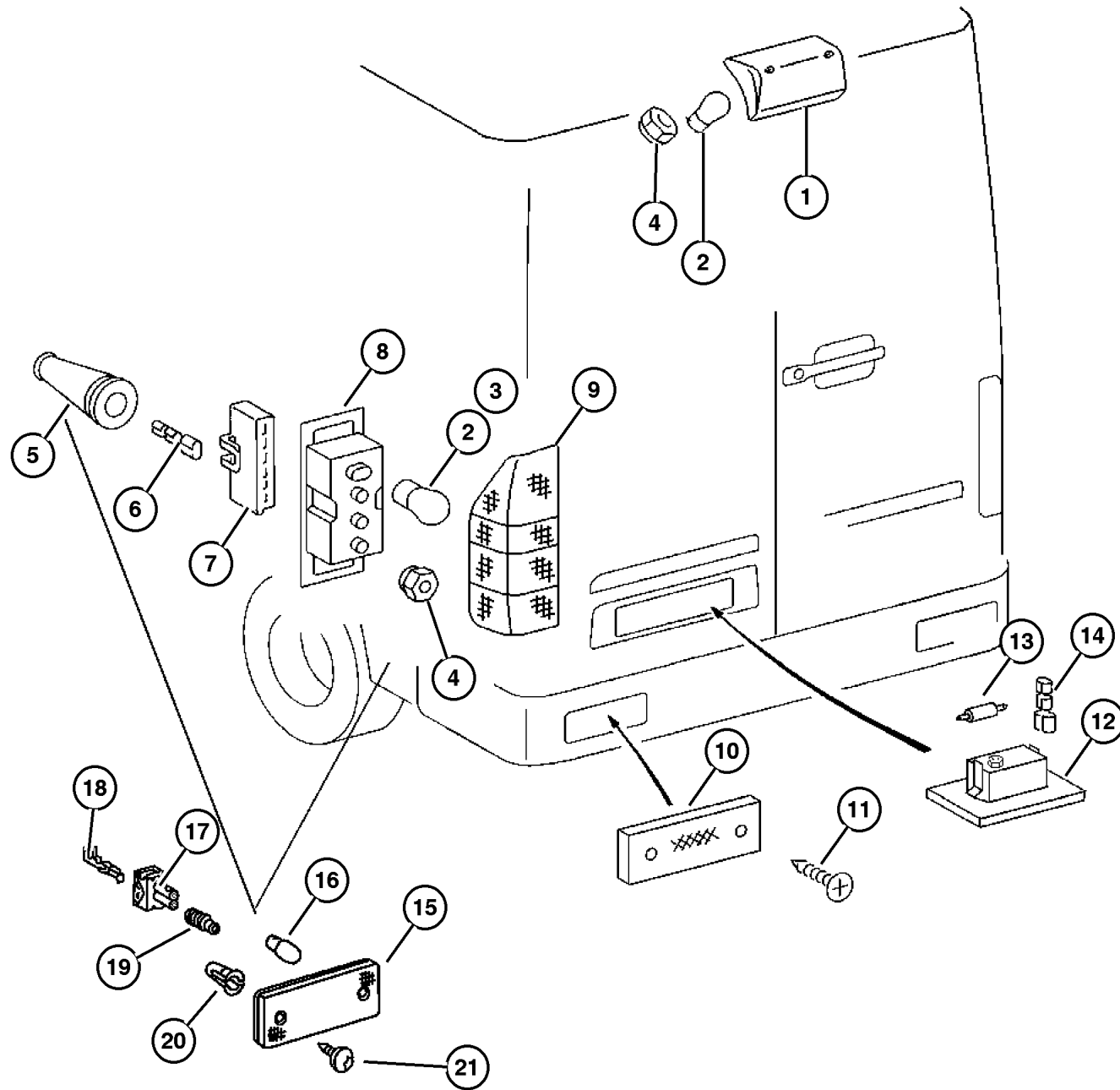
ITEM	PART NUMBER	QTY	LINE	SERIES	BODY	ENGINE	TRANS	TRIM	DESCRIPTION
	5103 784AA	2	2, 6	L	01, 02, 06	EX8	DGZ		
		2	2, 6	L	11, 12, 14, 15, 16	EX8	DGZ		
		2	2, 6	L	51, 52, 54, 55, 56	EX8	DGZ		
		2	3, 7	L	02, 06	EX8	DGZ		
		2	3, 7	L	12, 15, 16	EX8	DGZ		
3									NUT, Spring U Type
	5103 850AA	2	2, 6	L	01, 02, 06	EX8	DGZ		
		2	2, 6	L	11, 12, 14, 15, 16	EX8	DGZ		
		2	2, 6	L	51, 52, 54, 55, 56	EX8	DGZ		
		2	3, 7	L	02, 06	EX8	DGZ		
		2	3, 7	L	12, 15, 16	EX8	DGZ		
4									SCREW
	6104 614AA	16	2, 6	L	11, 12, 14, 15, 16	EX8	DGZ		
		16	2, 6	L	51, 52, 54, 55, 56	EX8	DGZ		
		16	3, 7	L	12, 15, 16	EX8	DGZ		
5									NUT, Plastic Snap-in
	5098 837AB	8	2, 6	L	01, 02, 06	EX8	DGZ		
		8	2, 6	L	11, 12, 14, 15, 16	EX8	DGZ		
		8	2, 6	L	51, 52, 54, 55, 56	EX8	DGZ		
6									BULB, 12V 5W
	5104 608AA	2	2, 6	L	01, 02, 06	EX8	DGZ		

Refer to Model Legend Information Bookmark

AR = Use as required - = Non illustrated part # = New this model year

March 3, 2006

Lamps - Rear End  
Figure 008-1110



ITEM	PART NUMBER	QTY	LINE	SERIES	BODY	ENGINE	TRANS	TRIM	DESCRIPTION
		99	2, 6	L	11, 12, 14, 15, 16	EX8	DGZ		
		99	2, 6	L	51, 52, 54, 55, 56	EX8	DGZ		
		99	3, 7	L	12, 15, 16	EX8	DGZ		
		1	3, 7	L	02, 06	EX8	DGZ		
20	5103 841AA	6	2, 6	L	01, 02, 06	EX8	DGZ		NUT, Push In
		8	2, 6	L	16	EX8	DGZ		
		8	2, 6	L	56	EX8	DGZ		
		6	3, 7	L	02, 06	EX8	DGZ		
		8	3, 7	L	16	EX8	DGZ		
21	6104 498AA	4	2, 6	L	11, 12, 14, 15, 16	EX8	DGZ		SCREW
		4	3, 7	L	12, 15, 16	EX8	DGZ		

Refer to Model Legend Information Bookmark

AR = Use as required - = Non illustrated part # = New this model year

March 3, 2006

Lamp - Bulbs  
Figure 008-1130

**BULB SPECIFICATIONS**

LAMP	BULB
Backup	P21W - 12V 21W (1)
Brake & Rear Park	P21/5W - 12V 21/5W (1)
Center High Mounted Stop	P21W - 12V 21W (1)
Clearance	W3W - 12V 3W
Front Fog	H1 - 12V 55W (3)
Front Position	W5W - 12V 5W (6)
Front Turn, Park & Side Marker	3457 NA - 12V 28/7.5W Amber Glass (2) (5)
Low Beam Headlamp	H7 - 12V 55W (4)
High Beam Headlamp	H1 - 12V 55W (3)
License Plate	C5W - 12V 5W (8)
Rear Side Marker	R5W - 12V 5W (9)
Rear Turn	P21W - 12V 21W (10)
Side Repeater	W5W - 12V 3W (11)

LAMP	BULB
Cargo/Dome Lamp	K - 12V 18W (7)
Dome/Reading Lamp	K - 12V 10W (12)
Dome Lamp w/Intrusion Sensor	K - 12V 6W
Entry/Exit Lamp	W5W - 12V 5W (13)

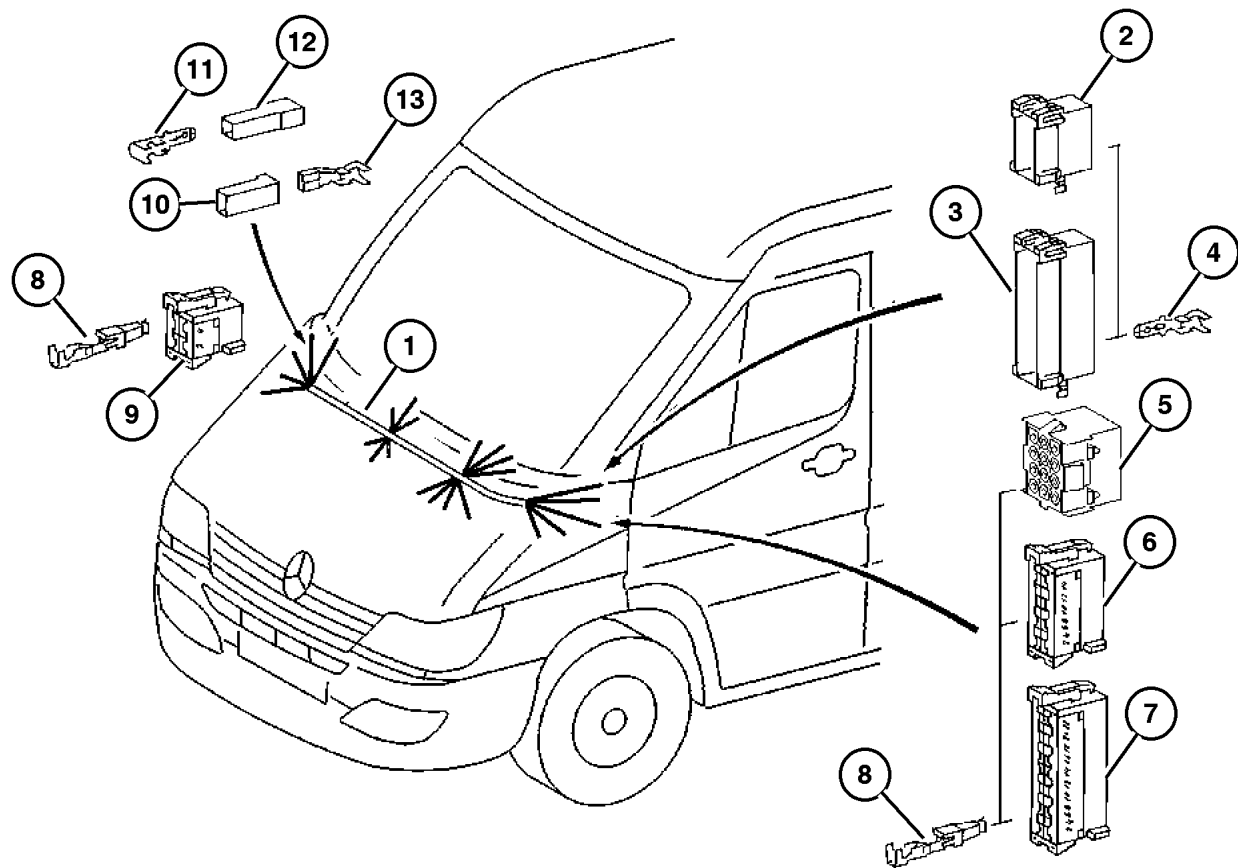
ITEM	PART NUMBER	QTY	LINE	SERIES	BODY	ENGINE	TRANS	TRIM	DESCRIPTION
		2	3, 7	L	02, 06	EX8	DGZ		
		2	3, 7	L	12, 15, 16	EX8	DGZ		
5	5104 647AA	2	2, 6	L	11, 12, 14, 15, 16	EX8	DGZ		BULB, TAIL LAMP
		2	2, 6	L	51, 52, 54, 55, 56	EX8	DGZ		
		2	3, 7	L	12, 15, 16	EX8	DGZ		
6	5104 648AA	3	2, 6	L	01, 02, 06	EX8	DGZ		BULB, 12V 5W
		3	3, 7	L	02, 06	EX8	DGZ		
7	5104 645AA	1	2, 6	L	01, 02, 06	EX8	DGZ		BULB
		1	2, 6	L	11, 12, 14, 15, 16	EX8	DGZ		
		3	2, 6	L	12, 15	EX8	DGZ		
		1	2, 6	L	16	EX8	DGZ		
		1	2, 6	L	51, 52, 54, 55, 56	EX8	DGZ		
		3	2, 6	L	52, 55	EX8	DGZ		
		1	2, 6	L	56	EX8	DGZ		
		1	3, 7	L	02, 06	EX8	DGZ		
		1	3, 7	L	12, 15, 16	EX8	DGZ		
8	5104 649AA	6	2, 6	L	01, 02, 06	EX8	DGZ		BULB
		2	2, 6	L	11, 12, 14, 15, 16	EX8	DGZ		
		2	2, 6	L	51, 52, 54, 55, 56	EX8	DGZ		
		6	3, 7	L	02, 06	EX8	DGZ		
		2	3, 7	L	12, 15, 16	EX8	DGZ		
9									BULB, 12V 5W

Refer to Model Legend Information Bookmark

AR = Use as required - = Non illustrated part # = New this model year

March 3, 2006

**Wiring - Instrument Panel**  
**Figure 008-1405**



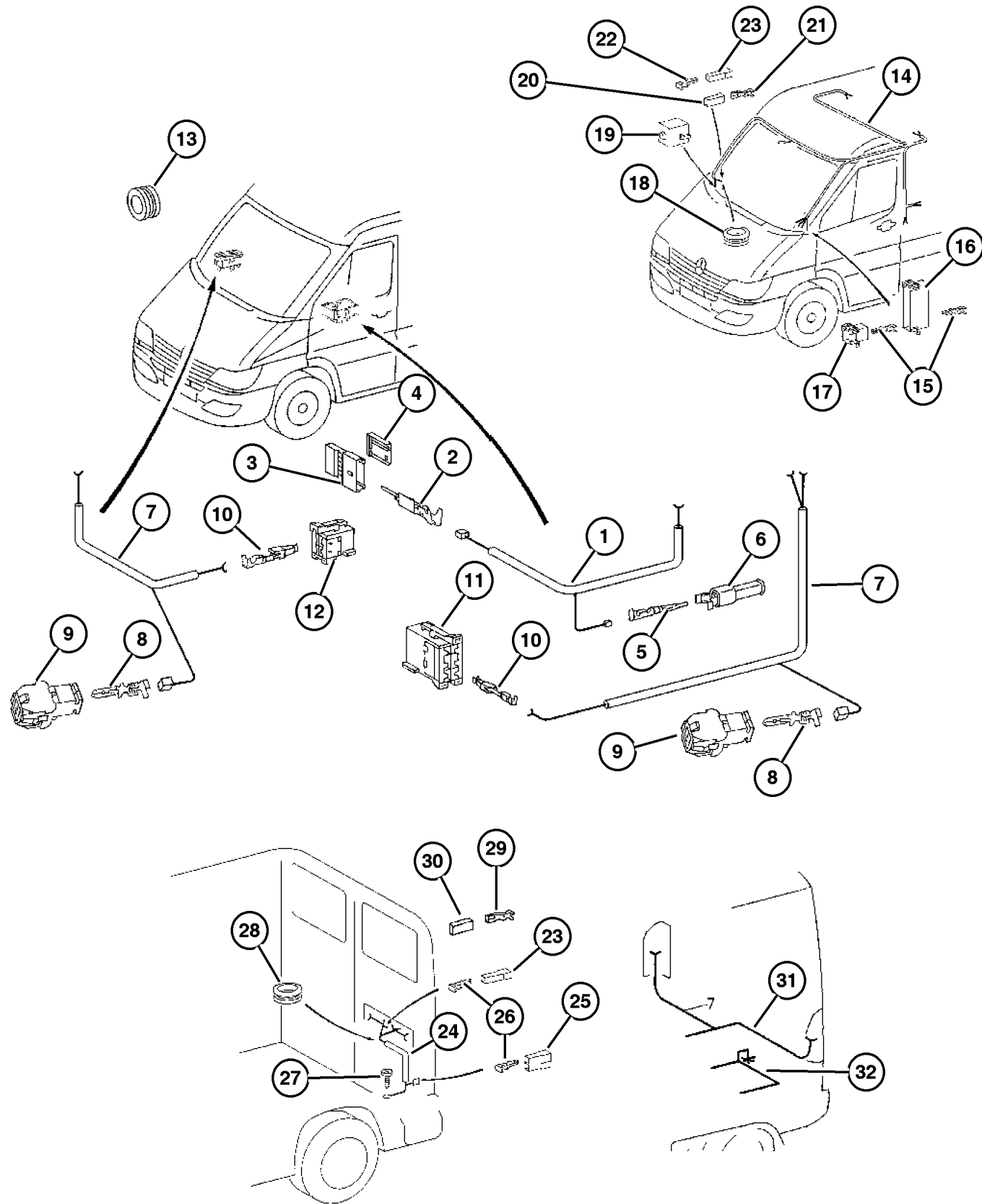
ITEM	PART NUMBER	QTY	LINE	SERIES	BODY	ENGINE	TRANS	TRIM	DESCRIPTION
1									WIRING, Instrument Panel
	5114 933AA	1	2, 6	L	01, 02, 06	EX8	DGZ		
		1	2, 6	L	11, 12, 14, 15, 16	EX8	DGZ		
		1	2, 6	L	51, 52, 54, 55, 56	EX8	DGZ		
		1	3, 7	L	02, 06	EX8	DGZ		
		1	3, 7	L	12, 15, 16	EX8	DGZ		
2									INSULATOR
	5133 393AA	1	2, 6	L	01, 02, 06	EX8	DGZ		
		1	2, 6	L	11, 12, 14, 15, 16	EX8	DGZ		
		1	2, 6	L	51, 52, 54, 55, 56	EX8	DGZ		
		1	3, 7	L	02, 06	EX8	DGZ		
		1	3, 7	L	12, 15, 16	EX8	DGZ		
3									CONNECTOR
	5120 793AA	1	2, 6	L	01, 02, 06	EX8	DGZ		
		1	2, 6	L	11, 12, 14, 15, 16	EX8	DGZ		
		1	2, 6	L	51, 52, 54, 55, 56	EX8	DGZ		
		1	3, 7	L	02, 06	EX8	DGZ		
		1	3, 7	L	12, 15, 16	EX8	DGZ		
4									TERMINAL, Male
	5133 377AA	1	2, 6	L	01, 02, 06	EX8	DGZ		
		1	2, 6	L	11, 12, 14, 15, 16	EX8	DGZ		
		1	2, 6	L	51, 52, 54, 55, 56	EX8	DGZ		

Refer to Model Legend Information Bookmark

AR = Use as required - = Non illustrated part # = New this model year

March 3, 2006

Wiring - Body & Accessories  
Figure 008-1505



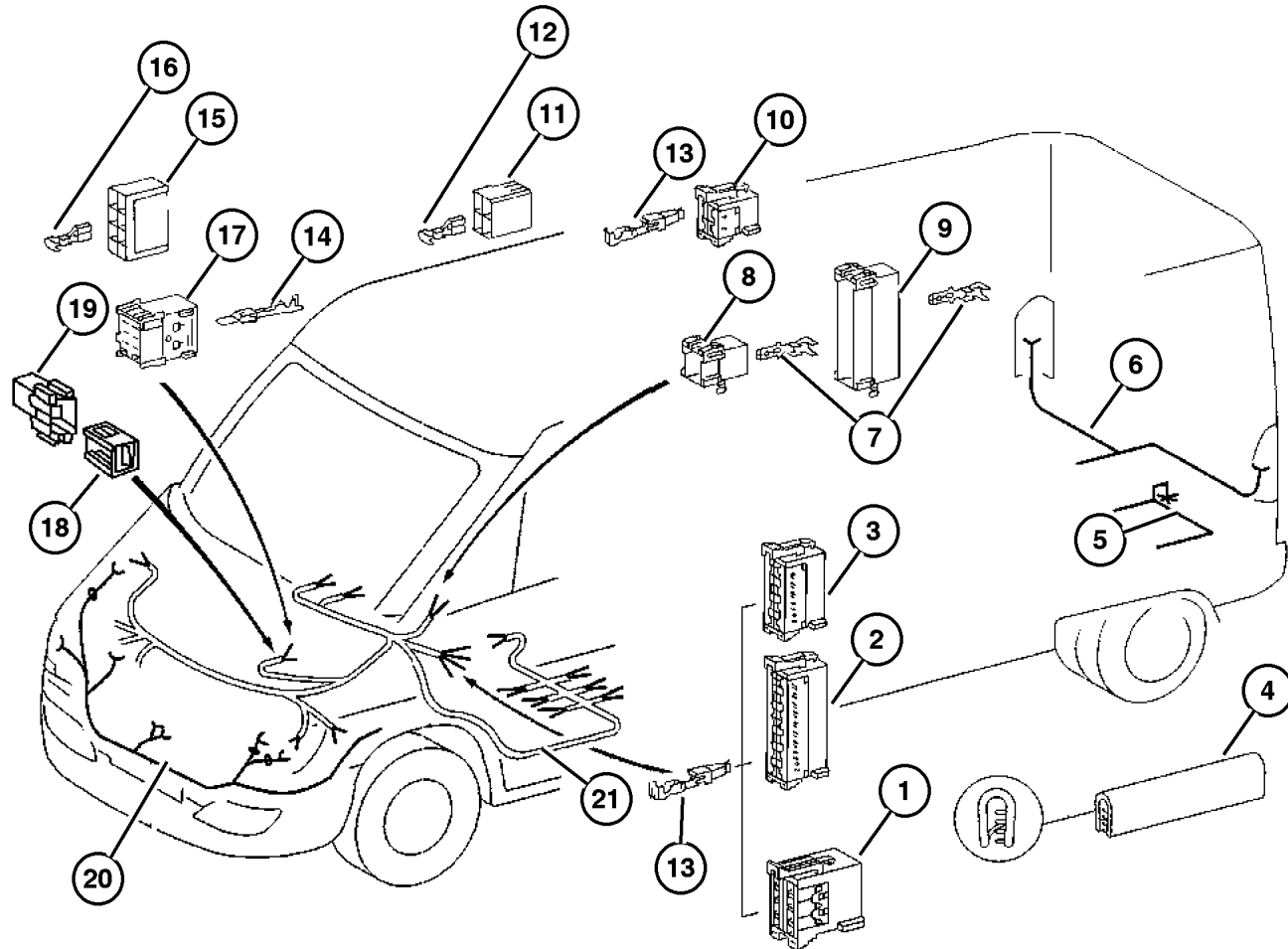
ITEM	PART NUMBER	QTY	LINE	SERIES	BODY	ENGINE	TRANS	TRIM	DESCRIPTION
		1	2, 6	L	51, 52, 54, 55, 56	EX8	DGZ		
		99	3, 7	L	12, 15, 16	EX8	DGZ		
22		1	3, 7	L	02, 06	EX8	DGZ		TERMINAL, Male
	5133 358AA	1	2, 6	L	01, 02, 06	EX8	DGZ		
		1	2, 6	L	11, 12, 14, 15, 16	EX8	DGZ		
		1	2, 6	L	51, 52, 54, 55, 56	EX8	DGZ		
		1	3, 7	L	02, 06	EX8	DGZ		
		1	3, 7	L	12, 15, 16	EX8	DGZ		
23		2	2, 6	L	11, 12, 14, 15, 16	EX8	DGZ		INSULATOR
	5120 685AA	2	2, 6	L	11, 12, 14, 15, 16	EX8	DGZ		
		2	2, 6	L	51, 52, 54, 55, 56	EX8	DGZ		
		2	3, 7	L	12, 15, 16	EX8	DGZ		
		1	3, 7	L	02, 06	EX8	DGZ		
		1	2, 6	L	01, 02, 06	EX8	DGZ		
24		1	2, 6	L	11, 12, 14, 15, 16	EX8	DGZ		WIRING, Rear Door
	5129 584AA	1	2, 6	L	11, 12, 14, 15, 16	EX8	DGZ		
		1	2, 6	L	51, 52, 54, 55, 56	EX8	DGZ		
		1	3, 7	L	12, 15, 16	EX8	DGZ		
25		1	2, 6	L	11, 12, 14, 15, 16	EX8	DGZ		CONNECTOR
	5103 751AA	1	2, 6	L	11, 12, 14, 15, 16	EX8	DGZ		

Refer to Model Legend Information Bookmark

AR = Use as required - = Non illustrated part # = New this model year

March 3, 2006

## Connectors Body Figure 008-1610



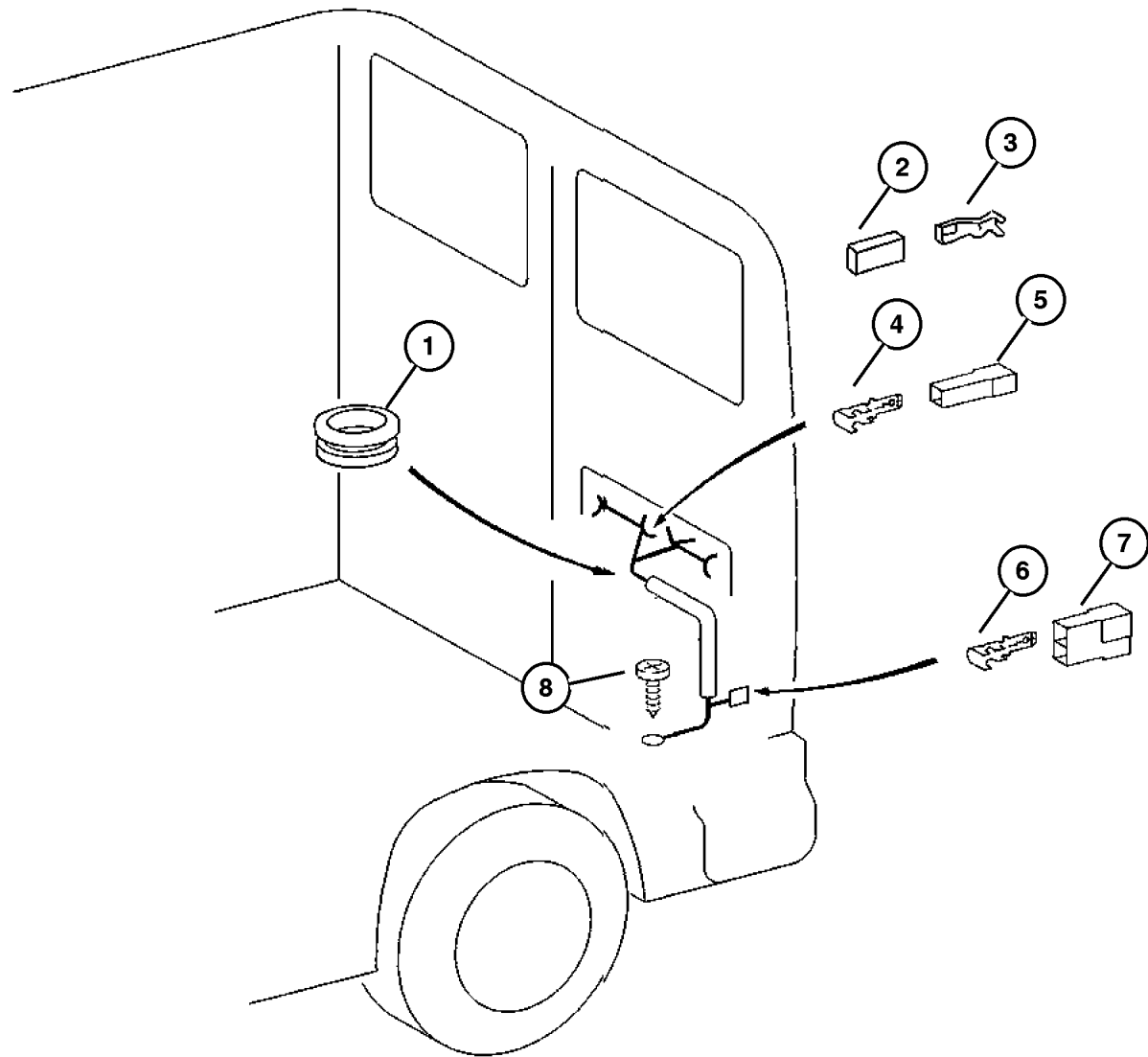
ITEM	PART NUMBER	QTY	LINE	SERIES	BODY	ENGINE	TRANS	TRIM	DESCRIPTION
		99	3, 7	L	12, 15, 16	EX8	DGZ		
13	5103 881AA	99	2, 6	L	01, 02, 06	EX8	DGZ		TERMINAL
		99	2, 6	L	11, 12, 14, 15, 16	EX8	DGZ		
		99	2, 6	L	51, 52, 54, 55, 56	EX8	DGZ		
		99	3, 7	L	02, 06	EX8	DGZ		
		99	3, 7	L	12, 15, 16	EX8	DGZ		
14	5103 909AA	1	2, 6	L	01, 02, 06	EX8	DGZ		TERMINAL, Male
		1	2, 6	L	11, 12, 14, 15, 16	EX8	DGZ		
		1	2, 6	L	51, 52, 54, 55, 56	EX8	DGZ		
		1	3, 7	L	02, 06	EX8	DGZ		
		1	3, 7	L	12, 15, 16	EX8	DGZ		
15	5103 752AA	1	2, 6	L	01, 02, 06	EX8	DGZ		CONNECTOR
		1	2, 6	L	11, 12, 14, 15, 16	EX8	DGZ		
		1	2, 6	L	51, 52, 54, 55, 56	EX8	DGZ		
		1	3, 7	L	02, 06	EX8	DGZ		
		1	3, 7	L	12, 15, 16	EX8	DGZ		
16	5133 359AA	1	2, 6	L	01, 02, 06	EX8	DGZ		TERMINAL, Female
		1	2, 6	L	11, 12, 14, 15, 16	EX8	DGZ		

Refer to Model Legend Information Bookmark

AR = Use as required - = Non illustrated part # = New this model year

March 3, 2006

### Connectors Rear Doors Figure 008-1625



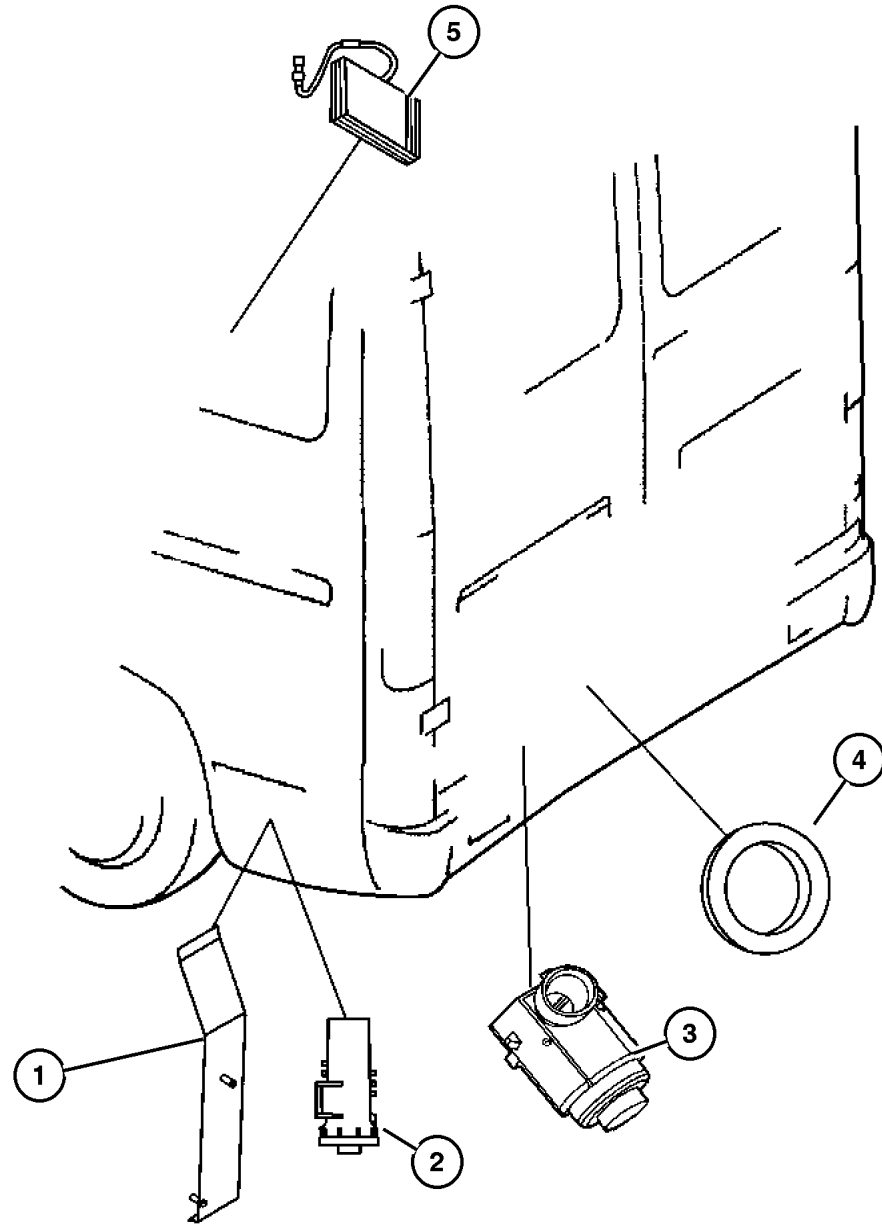
ITEM	PART NUMBER	QTY	LINE	SERIES	BODY	ENGINE	TRANS	TRIM	DESCRIPTION
1									GROMMET
	5125 931AA	1	2, 6	L	01, 02, 06	EX8	DGZ		
		1	2, 6	L	11, 12, 14, 15, 16	EX8	DGZ		
		1	2, 6	L	51, 52, 54, 55, 56	EX8	DGZ		
		2	3, 7	L	12, 15, 16	EX8	DGZ		
		1	3, 7	L	12, 15, 16	EX8	DGZ		
2									CONNECTOR
	5120 684AA	1	2, 6	L	11, 12, 14, 15, 16	EX8	DGZ		
		1	2, 6	L	51, 52, 54, 55, 56	EX8	DGZ		
		1	2, 6	L	01, 02, 06	EX8	DGZ		
		1	3, 7	L	12, 15, 16	EX8	DGZ		
		1	3, 7	L	02, 06	EX8	DGZ		
3									TERMINAL, Female
	5114 451AA	99	2, 6	L	01, 02, 06	EX8	DGZ		
		99	2, 6	L	11, 12, 14, 15, 16	EX8	DGZ		
		99	2, 6	L	51, 52, 54, 55, 56	EX8	DGZ		
		99	3, 7	L	02, 06	EX8	DGZ		
		99	3, 7	L	12, 15, 16	EX8	DGZ		
4									TERMINAL, Male
	5103 798AA	99	2, 6	L	11, 12, 14, 15, 16	EX8	DGZ		
		99	2, 6	L	51, 52, 54, 55, 56	EX8	DGZ		

Refer to Model Legend Information Bookmark

AR = Use as required - = Non illustrated part # = New this model year

March 3, 2006

**Park Assist, Back up Detection System  
Figure 008-1805**



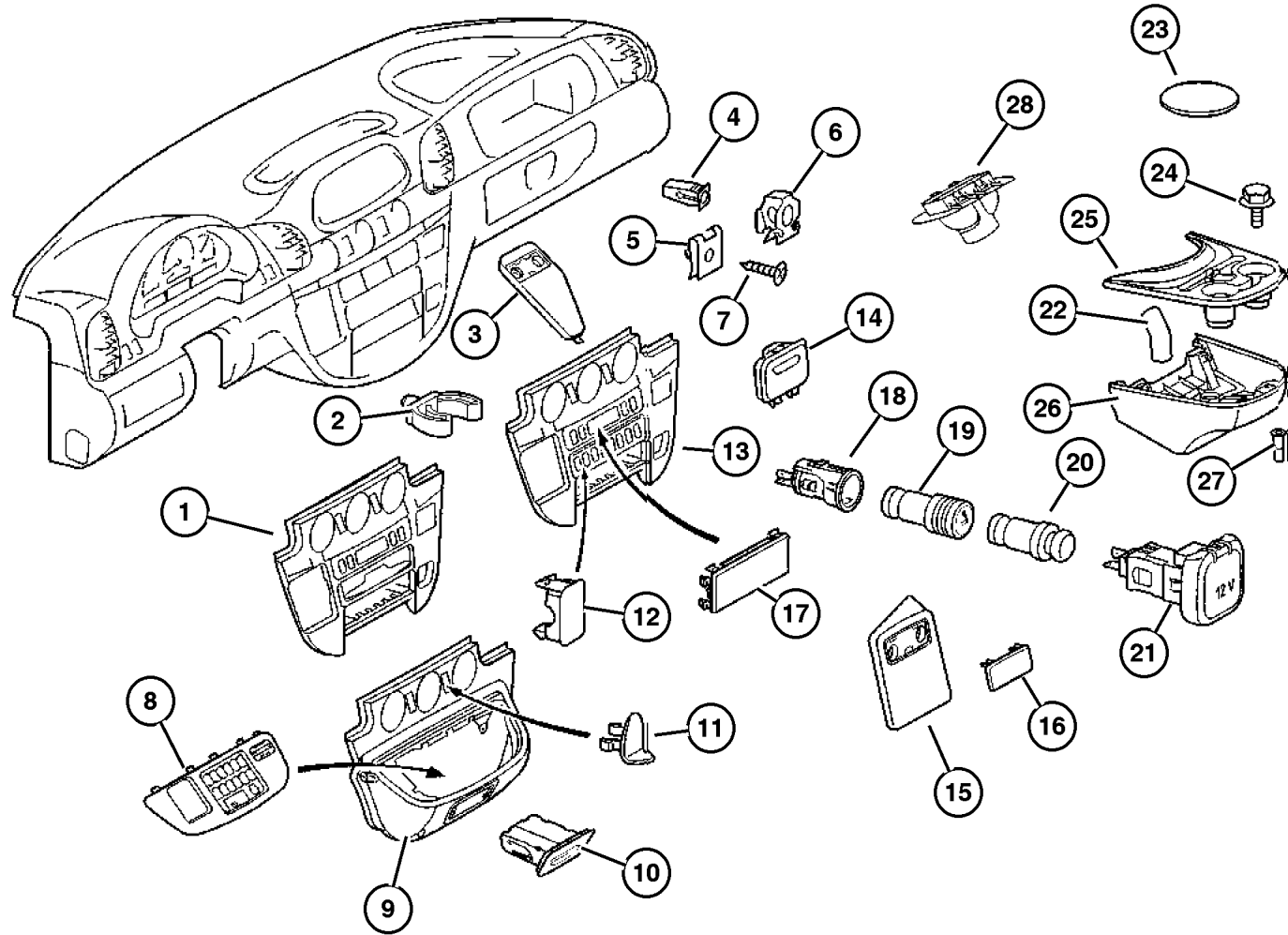
ITEM	PART NUMBER	QTY	LINE	SERIES	BODY	ENGINE	TRANS	TRIM	DESCRIPTION
1									BRACKET, Parktronics
	5121 731AA	1	2, 6	L	11, 12, 14, 15, 16	EX8	DGZ		
		1	2, 6	L	51, 52, 54, 55, 56	EX8	DGZ		
		1	3, 7	L	12, 15, 16	EX8	DGZ		
2									MODULE, Parking Assist
	5120 828AA	1	2, 6	L	11, 12, 14, 15, 16	EX8	DGZ		
		1	2, 6	L	51, 52, 54, 55, 56	EX8	DGZ		
		1	3, 7	L	12, 15, 16	EX8	DGZ		
3									SENSOR, Park Assist
	5120 341AA	4	2, 6	L	11, 12, 14, 15, 16	EX8	DGZ		
		4	2, 6	L	51, 52, 54, 55, 56	EX8	DGZ		
		4	3, 7	L	12, 15, 16	EX8	DGZ		
4									SPACER, Sensor
	5120 375AA	4	2, 6	L	11, 12, 14, 15, 16	EX8	DGZ		
		4	2, 6	L	51, 52, 54, 55, 56	EX8	DGZ		
		4	3, 7	L	12, 15, 16	EX8	DGZ		
5									DISPLAY, Parking Assist, AUDIOVOX SPECIALIZED APPLICATIONS, INC (ASA) --23319 COOPER DRIVE --ELKHART, IN 48514 --(219) 254-3135, (NOT SERVICED) (Not Serviced)
-6									ALARM

Refer to Model Legend Information Bookmark

AR = Use as required - = Non illustrated part # = New this model year

March 3, 2006

Instrument Panel Bezel and Related Parts  
Figure 08A-110



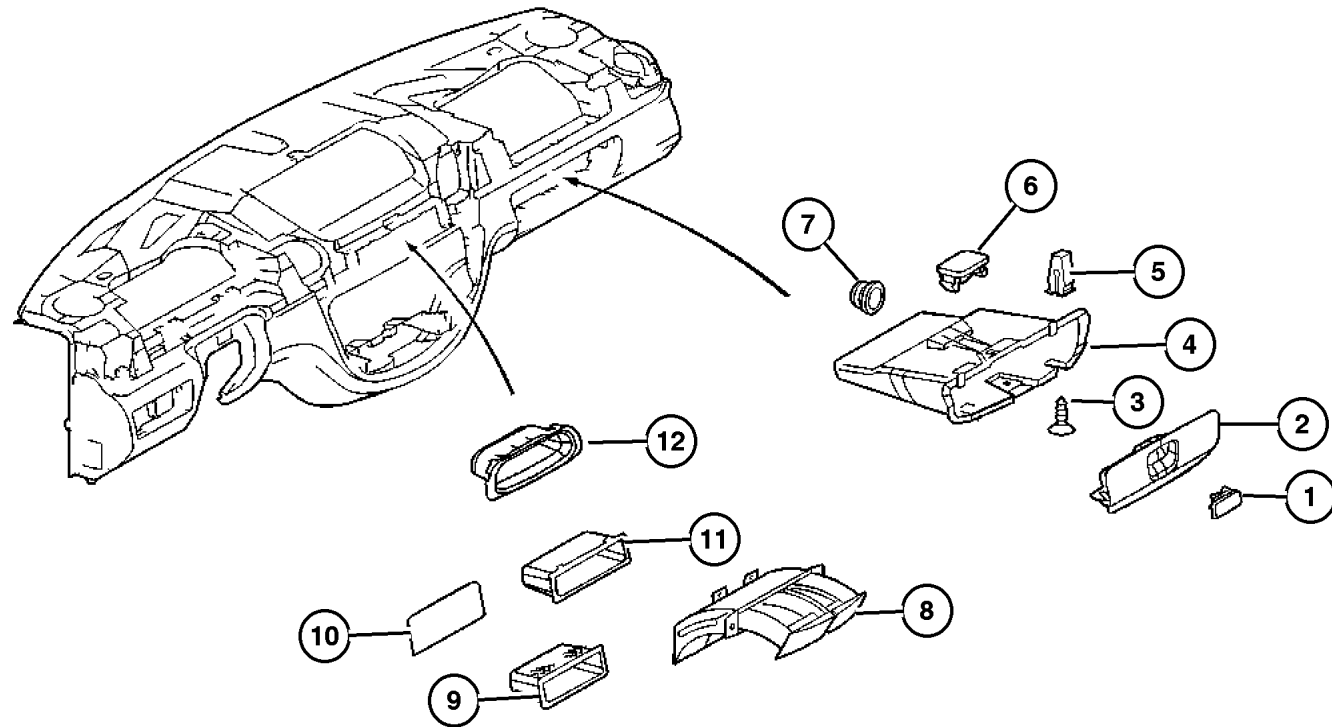
ITEM	PART NUMBER	QTY	LINE	SERIES	BODY	ENGINE	TRANS	TRIM	DESCRIPTION
1									BEZEL, Instrument Panel, Center
	5122 372AA	1	2, 6	L	01, 02, 06		DGZ		
		1	2, 6	L	11, 12, 14, 15, 16		DGZ		
		1	2, 6	L	51, 52, 54, 55, 56		DGZ		
		1	3, 7	L	02, 06		DGZ		
		1	3, 7	L	12, 15, 16		DGZ		
2									CLIP, U Type
	5125 582AA	6	2, 6	L	01, 02, 06	EX8	DGZ		Paneling to Right B Pillar
		6	2, 6	L	11, 12, 14, 15, 16	EX8	DGZ		Paneling to Right B Pillar
		6	2, 6	L	51, 52, 54, 55, 56	EX8	DGZ		Paneling to Right B Pillar
		6	3, 7	L	02, 06	EX8	DGZ		Paneling to Right B Pillar
		6	3, 7	L	12, 15, 16	EX8	DGZ		Paneling to Right B Pillar
3									BRACKET, Instrument Panel
	5122 388AA	1	2, 6	L	01, 02, 06	EX8			
		1	2, 6	L	11, 12, 14, 15, 16	EX8			
		1	2, 6	L	51, 52, 54, 55, 56	EX8			
		1	3, 7	L	02, 06	EX8			
		1	3, 7	L	12, 15, 16	EX8			
4									NUT, Plastic Snap-in
	5125 576AA	2	2, 6	L	01, 02, 06	EX8	DGZ		
		2	2, 6	L	11, 12, 14, 15, 16	EX8	DGZ		
		2	2, 6	L	51, 52, 54, 55, 56	EX8	DGZ		

Refer to Model Legend Information Bookmark

AR = Use as required - = Non illustrated part # = New this model year

March 3, 2006

**Ash Reciever and Glove Box  
Figure 08A-115**



ITEM	PART NUMBER	QTY	LINE	SERIES	BODY	ENGINE	TRANS	TRIM	DESCRIPTION
		1	2, 6	L	51, 52, 54, 55, 56	EX8	DGZ		
		1	3, 7	L	02, 06	EX8	DGZ		
		1	3, 7	L	12, 15, 16	EX8	DGZ		
9	5122 945AA	1	2, 6	L	01, 02, 06	EX8	DGZ		CUBBY BOX, Instrument Panel
		1	2, 6	L	11, 12, 14, 15, 16	EX8	DGZ		
		1	2, 6	L	51, 52, 54, 55, 56	EX8	DGZ		
		1	3, 7	L	02, 06	EX8	DGZ		
		1	3, 7	L	12, 15, 16	EX8	DGZ		
10	5122 951AA	1	2, 6	L	01, 02, 06	EX8	DGZ		PAD, Backing
		1	2, 6	L	11, 12, 14, 15, 16	EX8	DGZ		
		1	2, 6	L	51, 52, 54, 55, 56	EX8	DGZ		
		1	3, 7	L	02, 06	EX8	DGZ		
		1	3, 7	L	12, 15, 16	EX8	DGZ		
11	5122 948AA	1	2, 6	L	01, 02, 06	EX8	DGZ		CUBBY BOX, Instrument Panel
		1	2, 6	L	11, 12, 14, 15, 16	EX8	DGZ		
		1	2, 6	L	51, 52, 54, 55, 56	EX8	DGZ		
		1	3, 7	L	02, 06	EX8	DGZ		
		1	3, 7	L	12, 15, 16	EX8	DGZ		
12	5122 943AA	1	3, 7	L	02, 06	EX8	DGZ		CUBBY BOX, Instrument Panel

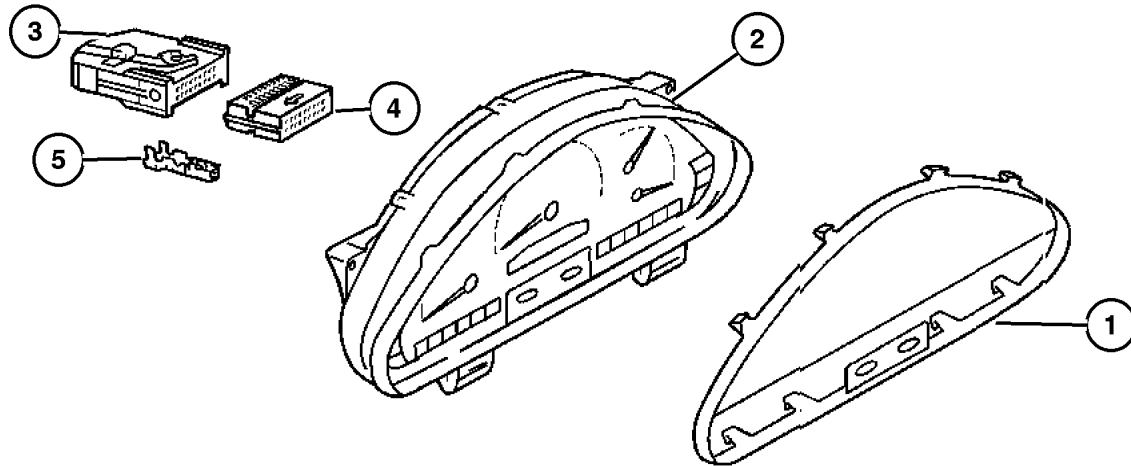
Refer to Model Legend Information Bookmark

AR = Use as required - = Non illustrated part # = New this model year

March 3, 2006

Instrument Panel Cluster  
Figure 08A-205

ITEM	PART NUMBER	QTY	LINE	SERIES	BODY	ENGINE	TRANS	TRIM	DESCRIPTION	
1	5103 657AA	1	2, 6	L	01, 02, 06	EX8	DGZ		LENS, Cluster	
		1	2, 6	L	11, 12, 14, 15, 16	EX8	DGZ			
		1	2, 6	L	51, 52, 54, 55, 56	EX8	DGZ			
		1	3, 7	L	02, 06	EX8	DGZ			
		1	3, 7	L	12, 15, 16	EX8	DGZ			
		1	3, 7	L	12, 15, 16	EX8	DGZ			
2	5174 082AC	1	2, 6	L	01, 02, 06	EX8	DGZ		CLUSTER, Instrument Panel [4Z2,4Z1]	
		1	2, 6	L	11, 12, 14, 15, 16	EX8	DGZ			
		1	2, 6	L	51, 52, 54, 55, 56	EX8	DGZ			
		1	3, 7	L	02, 06	EX8	DGZ			
		1	3, 7	L	12, 15, 16	EX8	DGZ			
		1	3, 7	L	12, 15, 16	EX8	DGZ			
		1	2, 6	L	01, 02, 06	EX8	DGZ			[3SL,4XS]
		1	2, 6	L	11, 12, 14, 15, 16	EX8	DGZ			
		1	2, 6	L	51, 52, 54, 55, 56	EX8	DGZ			
		1	3, 7	L	02, 06	EX8	DGZ			
		1	3, 7	L	12, 15, 16	EX8	DGZ			
		1	3, 7	L	12, 15, 16	EX8	DGZ			
3	5120 662AA	1	2, 6	L	01, 02, 06	EX8	DGZ		CONNECTOR, Wiring	
		1	2, 6	L	11, 12, 14, 15, 16	EX8	DGZ			
		1	2, 6	L	51, 52, 54, 55, 56	EX8	DGZ			
		1	3, 7	L	02, 06	EX8	DGZ			

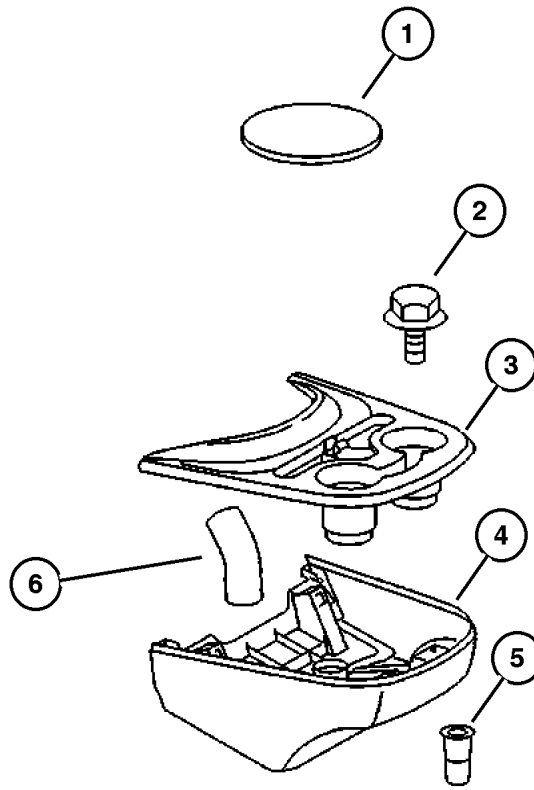


Refer to Model Legend Information Bookmark

AR = Use as required - = Non illustrated part # = New this model year

March 3, 2006

**Console Cup Holder  
Figure 08A-405**



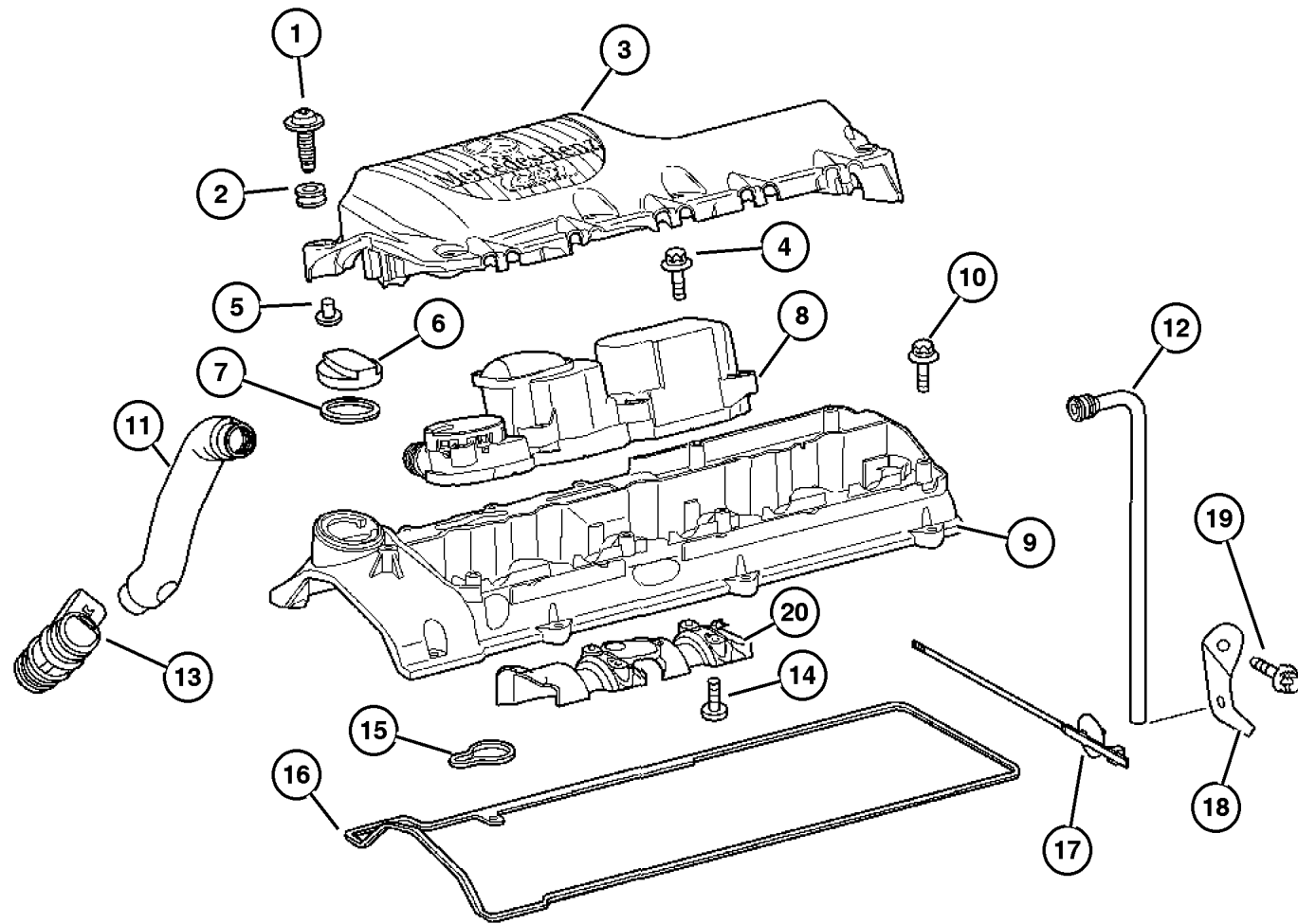
ITEM	PART NUMBER	QTY	LINE	SERIES	BODY	ENGINE	TRANS	TRIM	DESCRIPTION
1	5122 953AA	2	2, 6	L	01, 02, 06	EX8	DGZ		MAT, Single Cup
		2	2, 6	L	11, 12, 14, 15, 16	EX8	DGZ		
		2	2, 6	L	51, 52, 54, 55, 56	EX8	DGZ		
		2	3, 7	L	02, 06	EX8	DGZ		
		2	3, 7	L	12, 15, 16	EX8	DGZ		
2	6104 121AA	4	2, 6	L	01, 02, 06	EX8	DGZ		SCREW, Hex Flange Head Lid Lock, Rear
		4	2, 6	L	11, 12, 14, 15, 16	EX8	DGZ		
		4	2, 6	L	51, 52, 54, 55, 56	EX8	DGZ		
		4	3, 7	L	02, 06	EX8	DGZ		
		4	3, 7	L	12, 15, 16	EX8	DGZ		
3	5104 254AA	1	2, 6	L	01, 02, 06	EX8	DGZ		CUP HOLDER, Lid
		1	2, 6	L	11, 12, 14, 15, 16	EX8	DGZ		
		1	2, 6	L	51, 52, 54, 55, 56	EX8	DGZ		
		1	3, 7	L	02, 06	EX8	DGZ		
		1	3, 7	L	12, 15, 16	EX8	DGZ		
4	5104 255AA	1	2, 6	L	01, 02, 06	EX8	DGZ		HOUSING, Cup Holder
		1	2, 6	L	11, 12, 14, 15, 16	EX8	DGZ		
		1	2, 6	L	51, 52, 54, 55, 56	EX8	DGZ		

Refer to Model Legend Information Bookmark

AR = Use as required - = Non illustrated part # = New this model year

March 3, 2006

**Cylinder Head Cover 2.7L Diesel [EX8]  
Figure 2.7LD-HO-210**



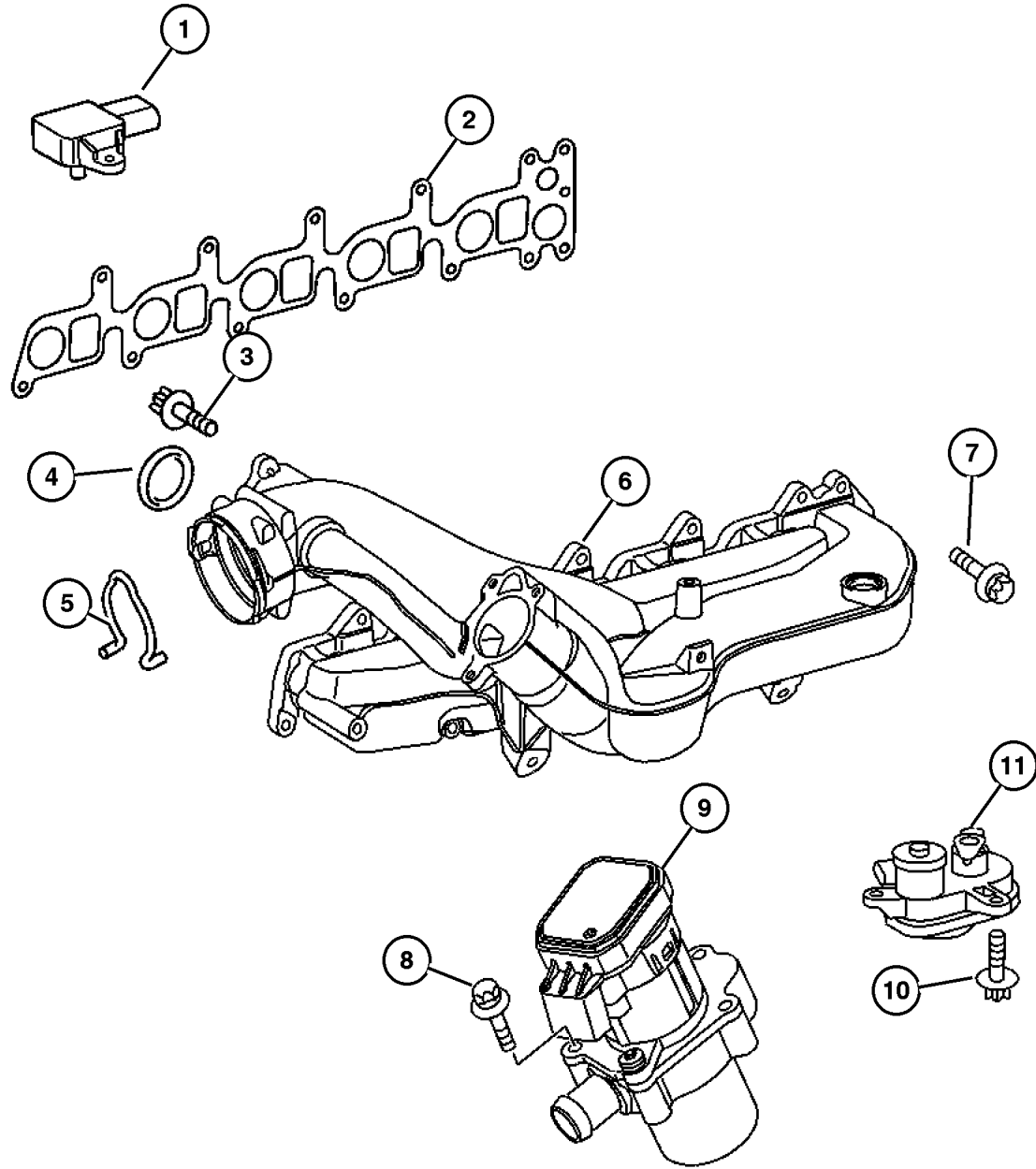
ITEM	PART NUMBER	QTY	LINE	SERIES	BODY	ENGINE	TRANS	TRIM	DESCRIPTION
NOTE:									
Sales Codes:									
[EX8] = 2.7L Inline 5 Cylinder Turbo Diesel Engine									
[NAS] = 50 State Emissions									
1	5103 968AA	7	2, 3, 6, 7			EX8	DGZ		SCREW, Engine Cover To Cylinder Head Cover, Mounting
2	5125 943AA	7	2, 3, 6, 7			EX8	DGZ		GROMMET, Engine Cover To Cylinder Head Cover, Mounting
3	5117 287AA	1	2, 3, 6, 7			EX8	DGZ		COVER, Engine
	5137 002AB	1	2, 3, 6, 7			EX8	DGZ		Intake Runner Cover
4	6104 684AA	7	2, 3, 6, 7			EX8	DGZ		SCREW, [M6.0X1.0X28.0], Oil Seperator, Mounting
5	5125 840AA	7	2, 3, 6, 7			EX8	DGZ		SLEEVE, Engine Cover, Mounting
6	5080 172AA	1	2, 3, 6, 7			EX8	DGZ		CAP, Oil Filler
7	5080 088AA	1	2, 3, 6, 7			EX8	DGZ		GASKET, Oil Filler Cap
8	5137 030AA	1	2, 3, 6, 7			EX8	DGZ		SEPERATOR, Oil
9	5117 166AA	1	2, 3, 6, 7			EX8	DGZ		COVER, Cylinder Head
10	6104 008AA	8	2, 3, 6, 7			EX8	DGZ		SCREW, [M6X1.00X30.00], Cylinder Head Cover, Mounting
11	5117 234AB	1	2, 3, 6, 7			EX8	DGZ		HOSE, Air Induction
12	5117 291AA	1	2, 3, 6, 7			EX8	DGZ		HOSE
13	5117 289AA	1	2, 3, 6, 7			EX8	DGZ		TUBE, Crankcase Vent Valve
14	6104 670AA	2	2, 3, 6, 7			EX8	DGZ		SCREW, [M5.0X0.8X9.0], Cylinder Head Cover, Mounting
15	5080 083AA	5	2, 3, 6, 7			EX8	DGZ		GASKET, Fuel Injector
16	5117 284AA	1	2, 3, 6, 7			EX8	DGZ		GASKET, Cylinder Head Cover
17	5126 078AA	99	2, 3, 6, 7			EX8	DGZ		TIE STRAP, Push In
18	5080 302AB	5	2, 3, 6, 7			EX8	DGZ		RETAINER, Fuel Injector
19	5073 824AA	1	2, 3, 6, 7			EX8	DGZ		SCREW, Injector Line, Mounting
20	5117 223AA	1	2, 3, 6, 7			EX8	DGZ		RETAINER, Crankshaft Rear Oil Seal

Refer to Model Legend Information Bookmark

AR = Use as required - = Non illustrated part # = New this model year

March 3, 2006

**Intake Manifold 2.7L Diesel [EX8]  
Figure 2.7LD-HO-805**



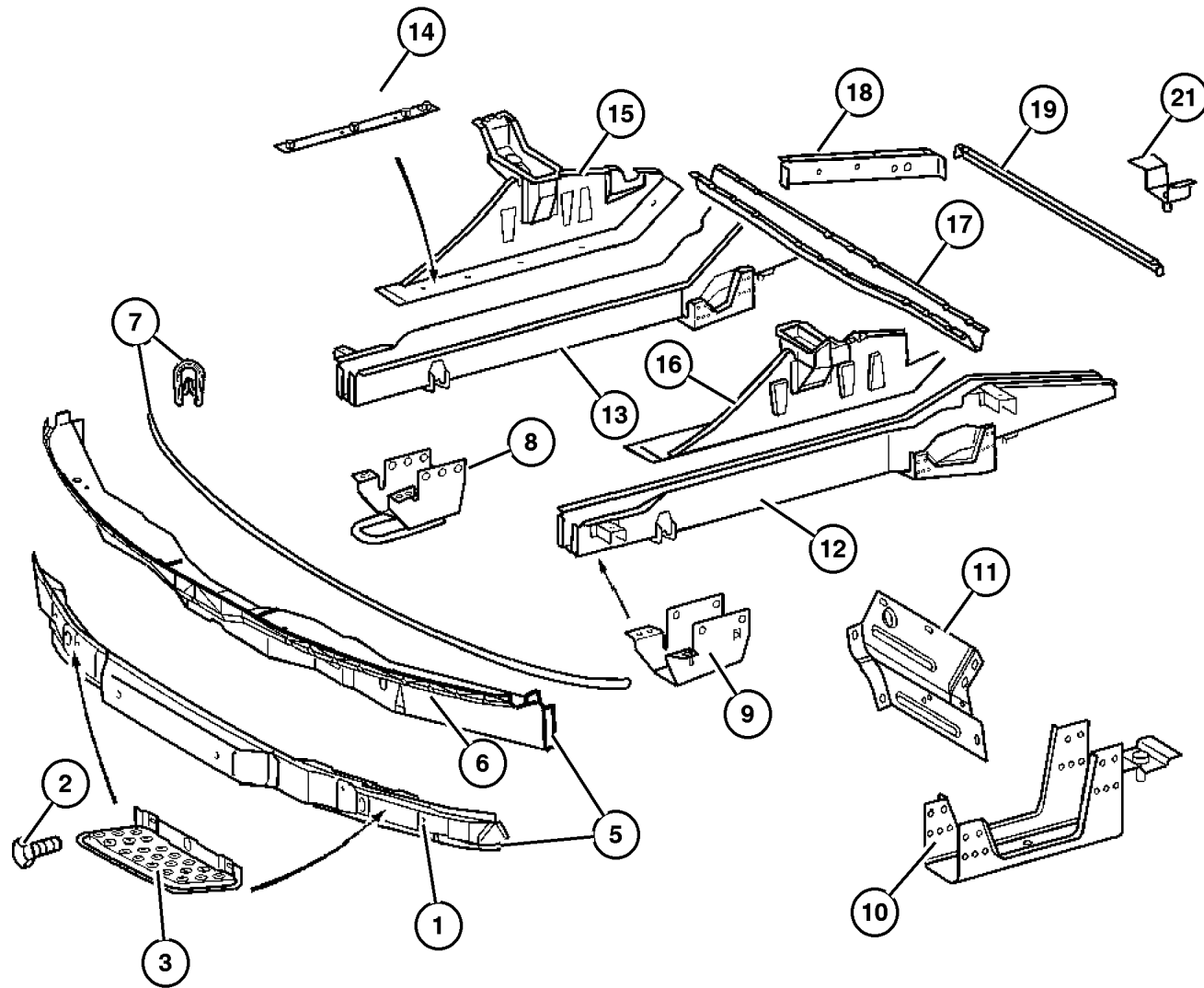
ITEM	PART NUMBER	QTY	LINE	SERIES	BODY	ENGINE	TRANS	TRIM	DESCRIPTION
NOTE:									
Sales Codes:									
[EX8] = 2.7L Inline 5 Cylinder Turbo Diesel Engine									
[NAS] = 50 State Emissions									
1									SENSOR, Coolant Level
	5120 509AA	1	2, 6			EX8	DGZ		
		1	3, 7			EX8	DGZ		
2	5080 324AA	1	2, 3, 6, 7			EX8	DGZ		GASKET, Intake Manifold
3	6104 005AA	2	2, 3, 6, 7			EX8	DGZ		SCREW, [M6X1.00X16.00], Intake Manifold, Mounting
4	5137 197AA	1	2, 3, 6, 7			EX8	DGZ		GASKET, EGR Valve
5	5136 770AA	1	2, 3, 6, 7			EX8	DGZ		SPRING
6	5136 769AA	1	2, 3, 6, 7			EX8	DGZ		MANIFOLD, Intake
7	5073 903AA	8	2, 3, 6, 7			EX8	DGZ		SCREW, Intake Manifold, Mounting
8	6104 008AA	8	2, 3, 6, 7			EX8	DGZ		SCREW, [M6X1.00X30.00], Mounting
9	5166 850AA	1	2, 3, 6, 7			EX8	DGZ		VALVE, EGR
10	6104 005AA	2	2, 3, 6, 7			EX8	DGZ		SCREW, [M6X1.00X16.00], Mounting
11	5135 893AA	1	2, 3, 6, 7			EX8	DGZ		MOTOR, Air Idle Speed

Refer to Model Legend Information Bookmark

AR = Use as required - = Non illustrated part # = New this model year

March 3, 2006

Front Frame Rails  
Figure 013-105



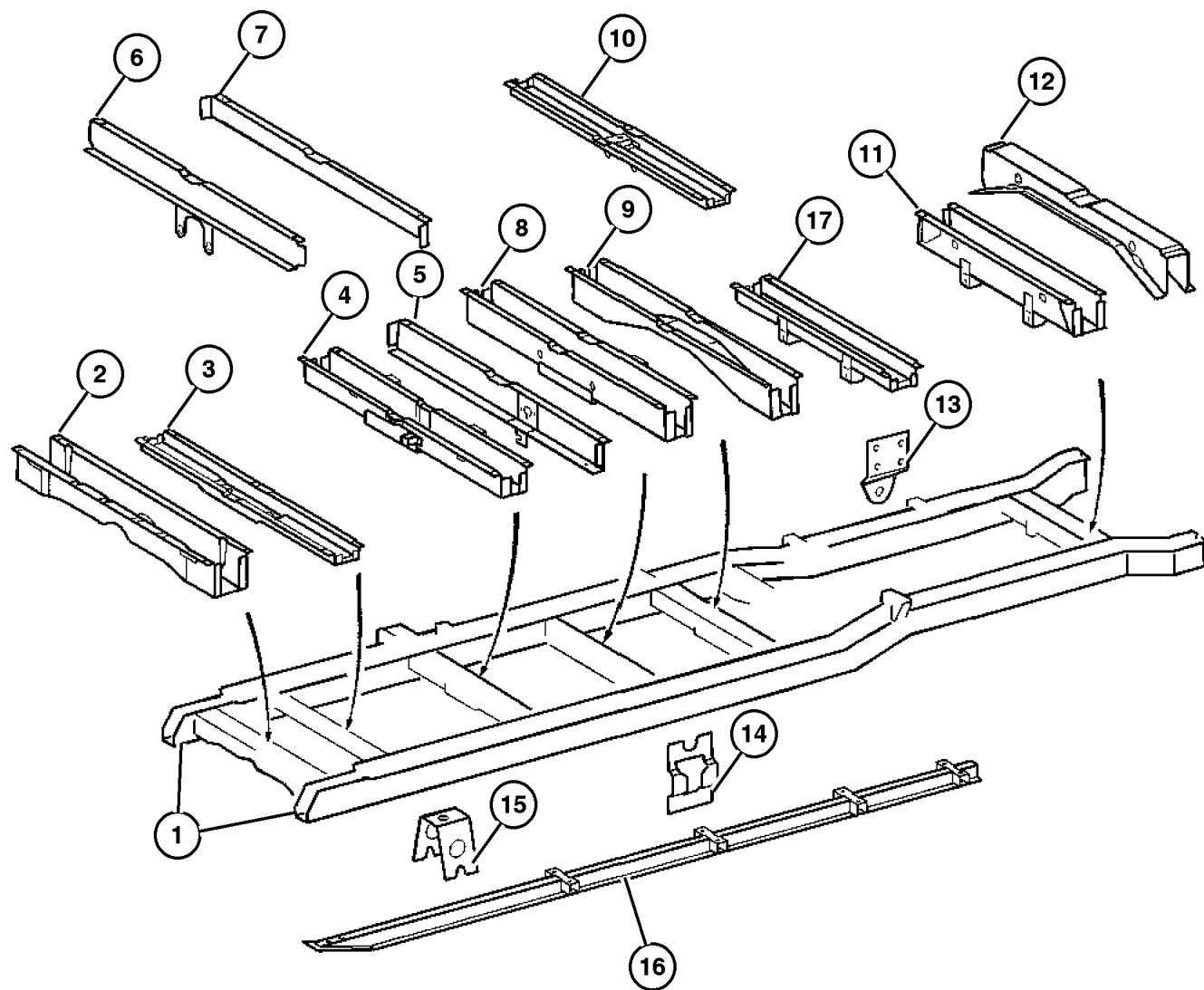
ITEM	PART NUMBER	QTY	LINE	SERIES	BODY	ENGINE	TRANS	TRIM	DESCRIPTION
1									COVER, Crossmember
	5133 848AA	1	2, 6	L	01, 02, 06				
		1	2, 6	L	11, 12, 14, 15, 16				
		1	2, 6	L	51, 52, 54, 55, 56				
		1	3, 7	L	02, 06				
		1	3, 7	L	12, 15, 16				
2									SCREW
	5073 723AB	2	2, 6	L	01, 02, 06				
		2	2, 6	L	11, 12, 14, 15, 16				
		2	2, 6	L	51, 52, 54, 55, 56				
		2	3, 7	L	02, 06				
		2	3, 7	L	12, 15, 16				
3									STEP, Left Side
	5104 136AA	1	2, 6	L	01, 02, 06				
		1	2, 6	L	11, 12, 14, 15, 16				
		1	2, 6	L	51, 52, 54, 55, 56				
		1	3, 7	L	02, 06				
		1	3, 7	L	12, 15, 16				
-4									STEP, Right Side
	5104 137AA-	1	2, 6	L	01, 02, 06				
		1	2, 6	L	11, 12, 14, 15, 16				
		1	2, 6	L	51, 52, 54, 55, 56				

Refer to Model Legend Information Bookmark

AR = Use as required - = Non illustrated part # = New this model year

March 3, 2006

**Side Frame Rails and Crossmembers 3500**  
**Figure 013-120**



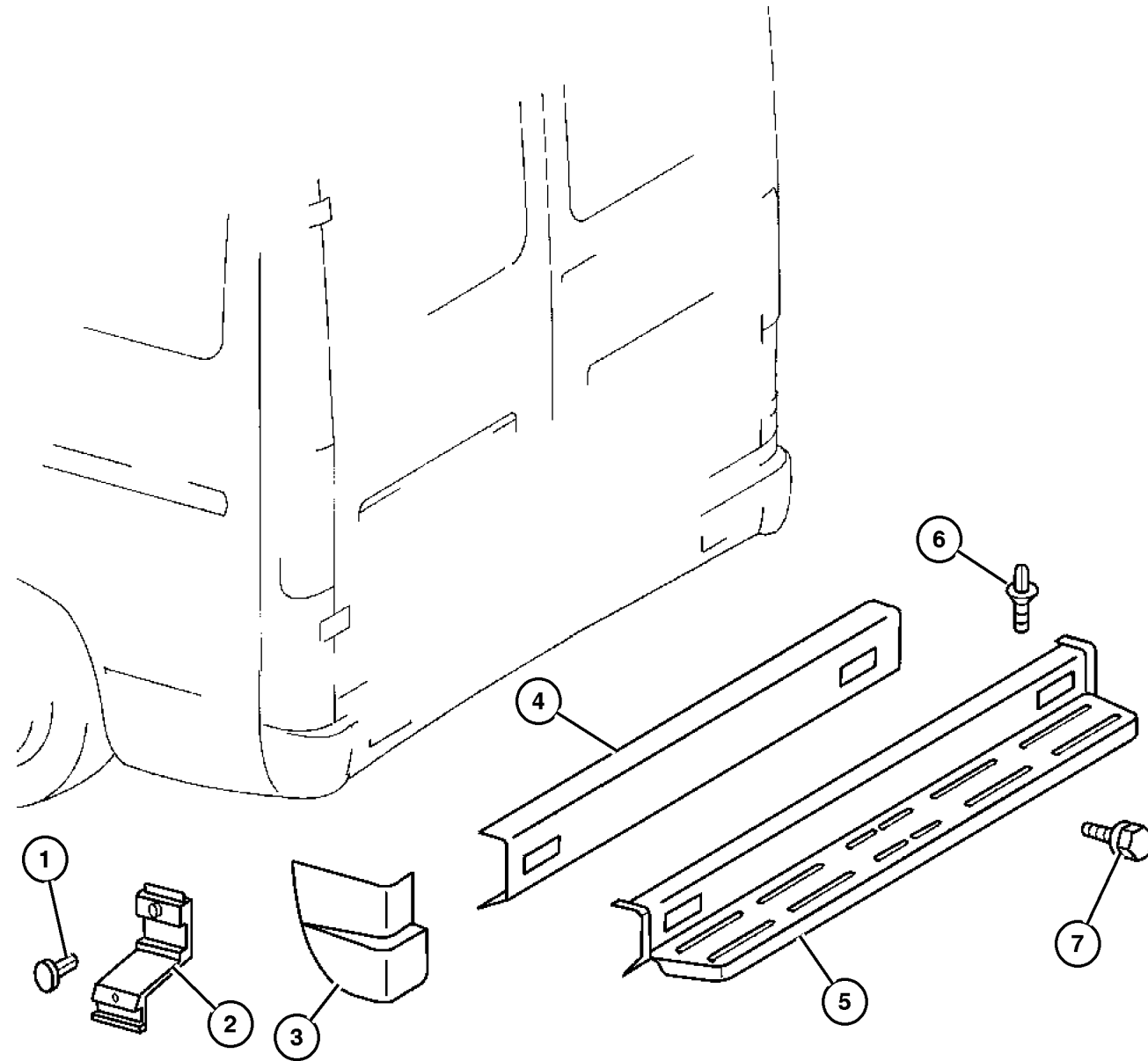
ITEM	PART NUMBER	QTY	LINE	SERIES	BODY	ENGINE	TRANS	TRIM	DESCRIPTION
1									RAIL, Frame Side, 05118063aa Lt.
	5118 082AA	1	3, 7	L	06				
		1	3, 7	L	16				
2									CROSSMEMBER, Front Frame
	5118 178AA	1	3, 7	L	02, 06				
		1	3, 7	L	12, 15, 16				
3									CROSSMEMBER, Front Frame
	5118 097AA	1	2, 6	L	11, 12, 14, 15				
		1	2, 6	L	51, 52, 54, 55				
		1	3, 7	L	12, 15				
4									CROSSMEMBER, Front Frame
	5118 097AA	1	2, 6	L	11, 12, 14, 15				
		1	2, 6	L	51, 52, 54, 55				
		1	3, 7	L	12, 15				
5									CROSSMEMBER, Front Frame
	5118 136AA	1	2, 6	L	01, 02				
		1	2, 6	L	11, 12, 14, 15				
		1	2, 6	L	11, 12, 14, 15, 16				
		1	2, 6	L	51, 52, 54, 55, 56				
		1	3, 7	L	02				
		1	3, 7	L	12, 15				
6									CROSSMEMBER, Rear Frame
	5118 182AA	1	3, 7	L	02, 06				
		1	3, 7	L	12, 15, 16				
7									CROSSMEMBER, Front Frame, (NOT SERVICED) (Not Serviced)
8									CROSSMEMBER, Front Frame
	5118 149AA	1	2, 6	L	11, 12, 14, 15				
		1	2, 6	L	51, 54				
9									CROSSMEMBER, Front Frame
	5118 170AA	1	2, 6	L	11, 12, 14, 15, 16				

Refer to Model Legend Information Bookmark

AR = Use as required - = Non illustrated part # = New this model year

March 3, 2006

**Bumper, Rear  
Figure 013-320**



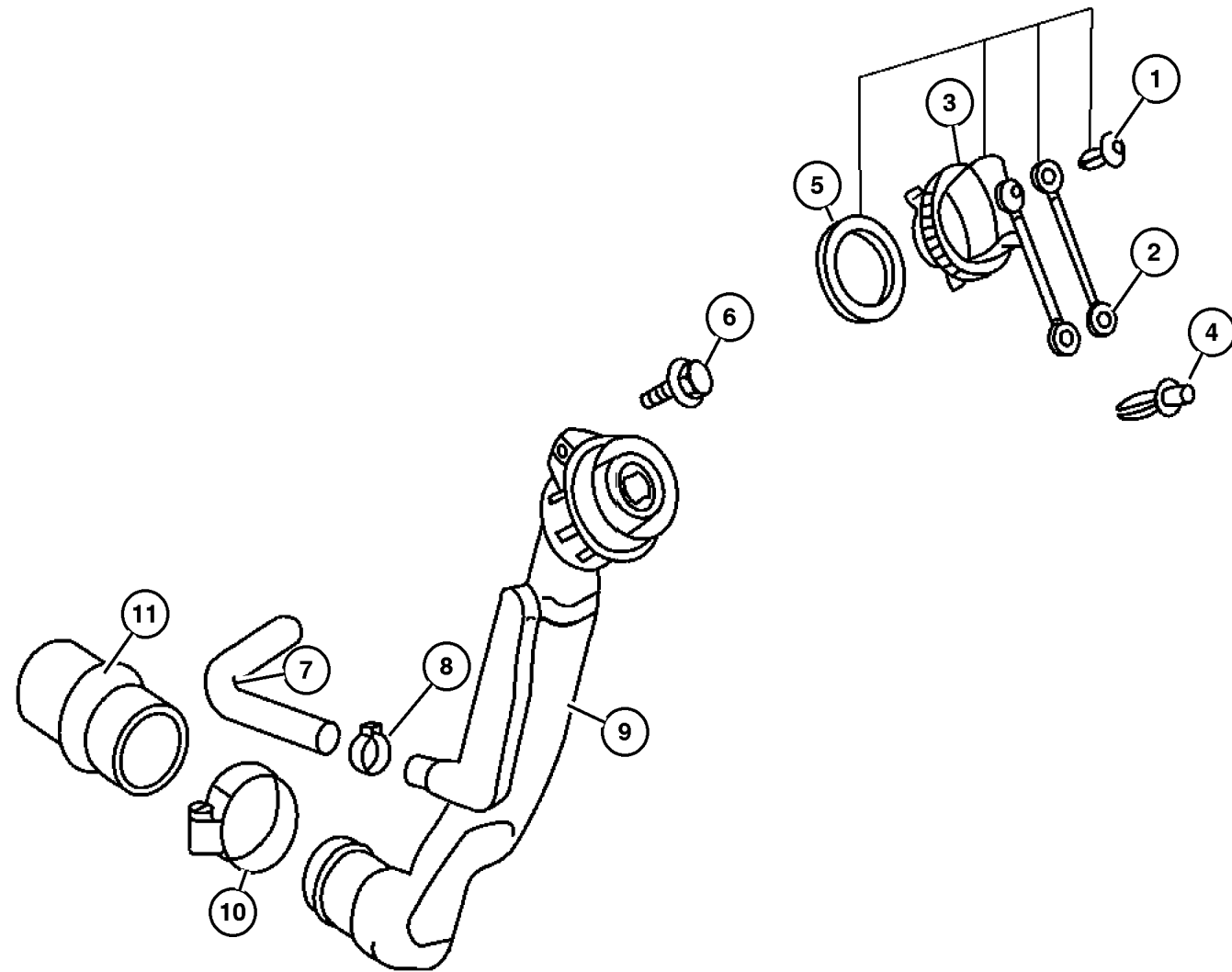
ITEM	PART NUMBER	QTY	LINE	SERIES	BODY	ENGINE	TRANS	TRIM	DESCRIPTION
		1	3, 7	L	12, 15, 16				Right
4	5104 512AA	1	2, 6	L	11, 12, 14, 15, 16				BUMPER, Fascia, Rear
		1	2, 6	L	51, 52, 54, 55, 56				
5	5104 526AA	1	2, 6	L	11, 12, 14, 15, 16				BUMPER, Fascia, Rear [MBZ]
		1	2, 6	L	51, 52, 54, 55, 56				[MBZ]
		1	3, 7	L	12, 15, 16				[MBZ]
6	5103 730AA	4	2, 6	L	11, 12, 14, 15, 16				RIVET
		4	2, 6	L	51, 52, 54, 55, 56				
		4	3, 7	L	12, 15, 16				
7	5103 728AA	2	2, 6	L	01, 02, 06				SCREW
		2	2, 6	L	11, 12, 14, 15, 16				
		2	2, 6	L	51, 52, 54, 55, 56				
		2	3, 7	L	02, 06				
		2	3, 7	L	12, 15, 16				
-8	5104 132AA-	1	2, 6	L	12, 15				BUMPER, Step [MBZ,5AE,5AF]
		1	2, 6	L	52, 55				[MBZ,5AE,5AF]
	5104 133AA-	1	2, 6	L	11, 14				[MBZ,5AC]

Refer to Model Legend Information Bookmark

AR = Use as required - = Non illustrated part # = New this model year

March 3, 2006

Fuel Tank Filler Tube  
Figure 014-210



ITEM	PART NUMBER	QTY	LINE	SERIES	BODY	ENGINE	TRANS	TRIM	DESCRIPTION
		1	3, 7	L	12, 15, 16	EX8	DGZ		
6	6104 515AA	1	2, 6	L	01, 02, 06	EX8	DGZ		SCREW, Fuel Filler Tube Mounting
		1	2, 6	L	11, 12, 14, 15, 16	EX8	DGZ		
		1	2, 6	L	51, 52, 54, 55, 56	EX8	DGZ		
		1	3, 7	L	02, 06	EX8	DGZ		
		1	3, 7	L	12, 15, 16	EX8	DGZ		
7	5135 343AA	1	2, 6	L	01, 02, 06	EX8	DGZ		HOSE, Fuel Filler
		1	2, 6	L	11, 12, 14, 15, 16	EX8	DGZ		
		1	2, 6	L	51, 52, 54, 55, 56	EX8	DGZ		
		1	3, 7	L	02, 06	EX8	DGZ		
		1	3, 7	L	12, 15, 16	EX8	DGZ		
8	6104 780AA	2	2, 6	L	51, 52, 54, 55, 56	EX8	DGZ		CLAMP
		1	2, 6	L	01, 02, 06	EX8	DGZ		
		1	2, 6	L	11, 12, 14, 15, 16	EX8	DGZ		
		2	3, 7	L	12, 15, 16	EX8	DGZ		
9	5104 103AA	1	3, 7	L	02, 06	EX8	DGZ		TUBE, Fuel Filler
		1	2, 6	L	01, 02, 06	EX8	DGZ		
		1	2, 6	L	11, 12, 14, 15, 16	EX8	DGZ		

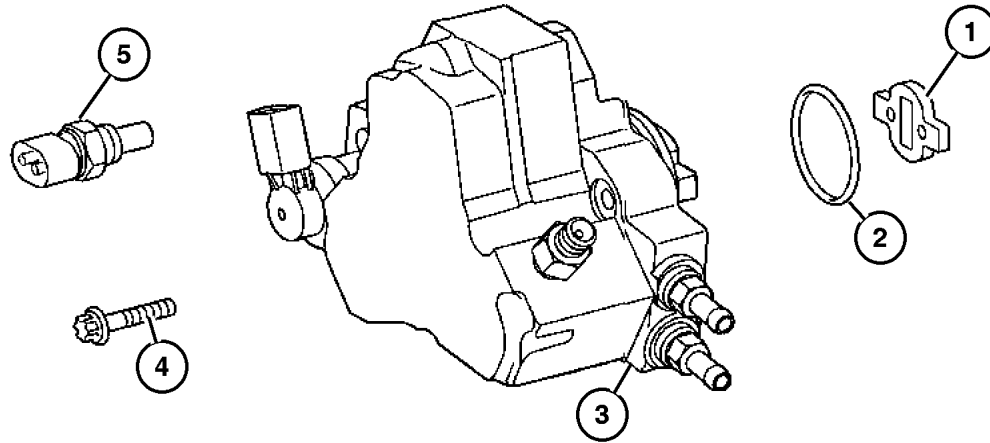
Refer to Model Legend Information Bookmark

AR = Use as required - = Non illustrated part # = New this model year

March 3, 2006

## Fuel Injection Pump [EX8] Figure 014-610

ITEM	PART NUMBER	QTY	LINE	SERIES	BODY	ENGINE	TRANS	TRIM	DESCRIPTION
Sales Codes:EX8=2.7L I5 MERCEDES-BENZ									
DGJ=TRANSMISSION - 5-SPD AUTO									
1	5103 610AA	1	2, 3, 6, 7	L		EX8	DGZ		DRIVE, Fuel Pump
2	5080 115AA	1	2, 3, 6, 7	L		EX8	DGZ		O RING
3	5142 257AA		2, 3, 6, 7	L		EX8	DGZ		PUMP, Injection
4	5125 738AA	1	2, 6	L	11, 12, 14, 15, 16	EX8	DGZ		SCREW
		1	2, 6	L	51, 52, 54, 55, 56	EX8	DGZ		
		1	2, 6	L	01, 02, 06	EX8	DGZ		
		1	3, 7	L	02, 06	EX8	DGZ		
		1	3, 7	L	12, 15, 16	EX8	DGZ		
5	5103 534AB	1	2, 3, 6, 7	L		EX8	DGZ		SENDING UNIT, Temperature Gauge
-6	5175 767AA-	1	2, 3, 6, 7	L		EX8	DGZ		VALVE, Flow Control

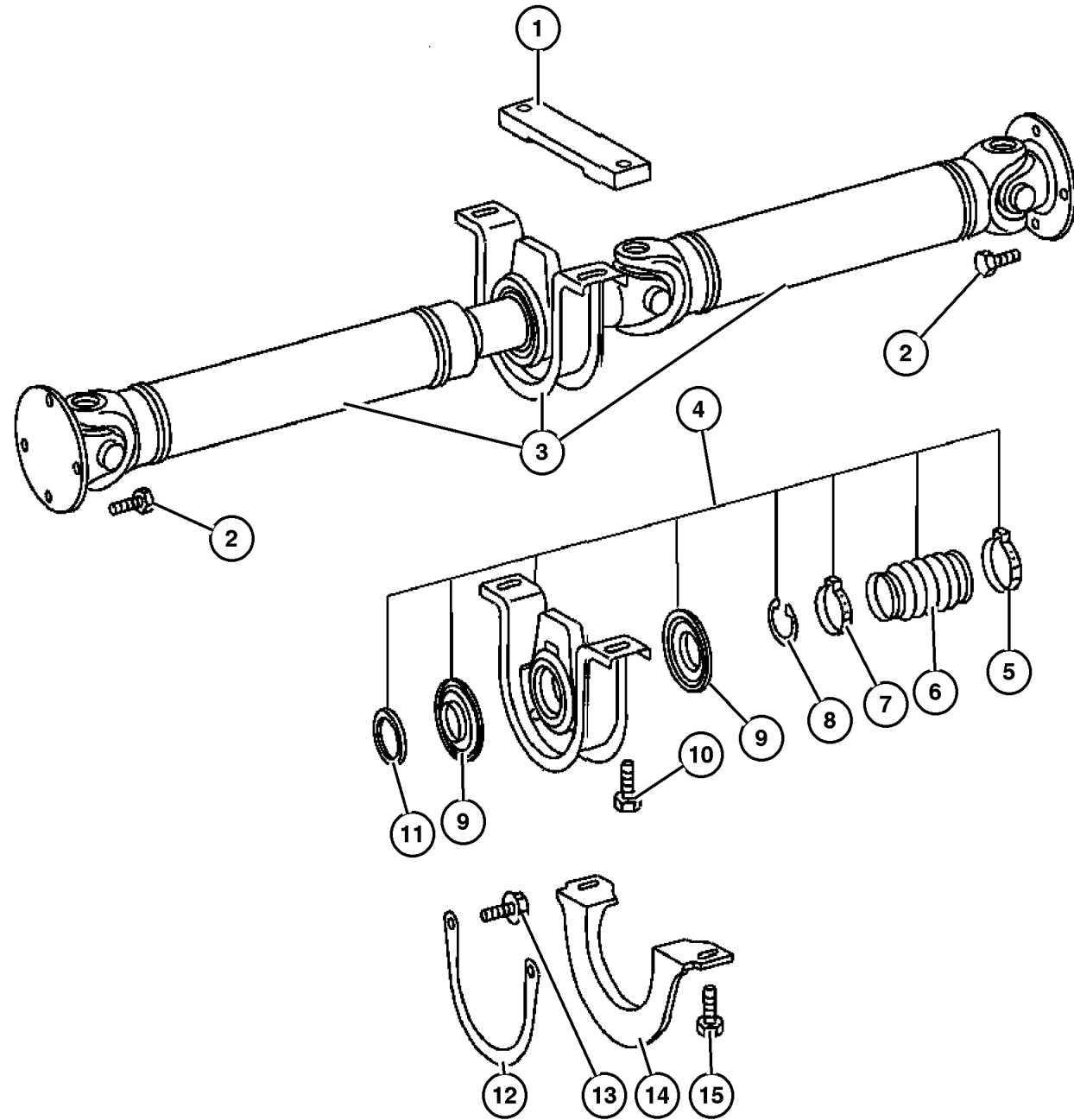


Refer to Model Legend Information Bookmark

AR = Use as required - = Non illustrated part # = New this model year

March 3, 2006

Shaft, Propeller, Rear, 2 Piece  
Figure 016-120



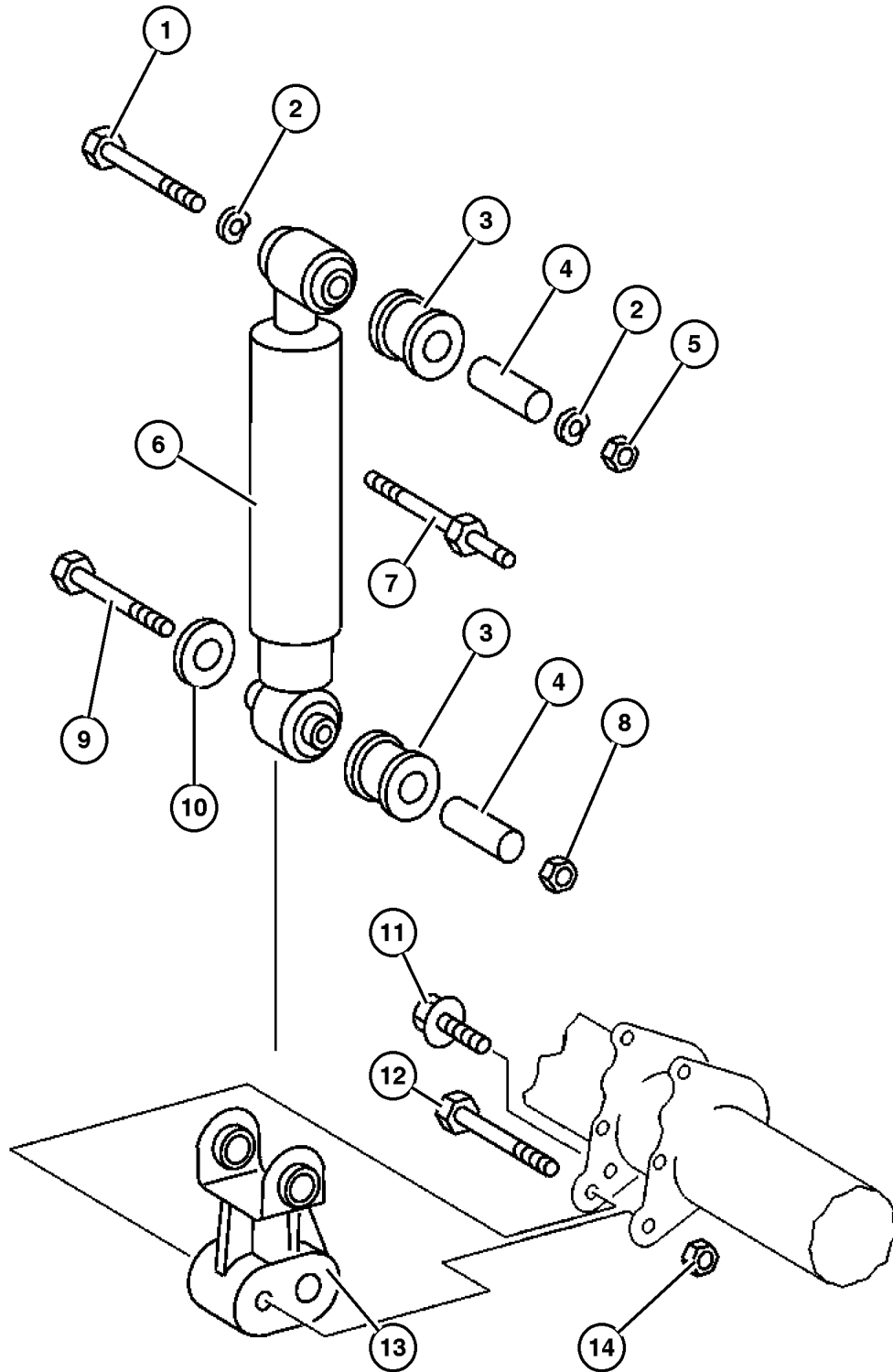
ITEM	PART NUMBER	QTY	LINE	SERIES	BODY	ENGINE	TRANS	TRIM	DESCRIPTION
1	5129 044AA	2		L			DGZ		SHIM, Drive Shaft Bearing
2	5103 939AA	8	2, 6	L	01, 02	EX8	DGZ		BOLT
		8	2, 6	L	11, 12, 14, 15	EX8	DGZ		
		8	2, 6	L	51, 52, 54, 55	EX8	DGZ		
		8	3, 7	L	02	EX8	DGZ		
		8	3, 7	L	12, 15	EX8	DGZ		
3	5129 034AA	1	2, 6	L	01	EX8	DGZ		SHAFT, Drive, 2 Piece
	5119 086AA	1	2, 6	L	02	EX8	DGZ		
	5129 034AA	1	2, 6	L	11, 14	EX8	DGZ		
	5119 086AA	1	2, 6	L	12, 15	EX8	DGZ		
	5129 034AA	1	2, 6	L	51, 54	EX8	DGZ		
	5119 086AA	1	2, 6	L	52, 55	EX8	DGZ		
		1	3, 7	L	02	EX8	DGZ		
		1	3, 7	L	12, 15	EX8	DGZ		
4	5104 574AA	1	2, 6	L	01, 02, 06	EX8	DGZ		CENTER BEARING, Drive Shaft
		1	2, 6	L	11, 12, 14, 15, 16	EX8	DGZ		
		1	2, 6	L	51, 52, 54, 55, 56	EX8	DGZ		
		1	3, 7	L	02, 06	EX8	DGZ		
		1	3, 7	L	12, 15, 16	EX8	DGZ		
5	5133 900AA	1	2, 6	L	01, 02, 06	EX8	DGZ		CLAMP, Boot
		1	2, 6	L	11, 12, 14, 15, 16	EX8	DGZ		
		1	2, 6	L	51, 52, 54, 55, 56	EX8	DGZ		
		1	3, 7	L	02, 06	EX8	DGZ		
		1	3, 7	L	12, 15, 16	EX8	DGZ		
6	5133 897AA	1	2, 6	L	01, 02, 06	EX8	DGZ		BOOT, Driveshaft

Refer to Model Legend Information Bookmark

AR = Use as required - = Non illustrated part # = New this model year

March 3, 2006

## Rear Shocks Figure 017-110



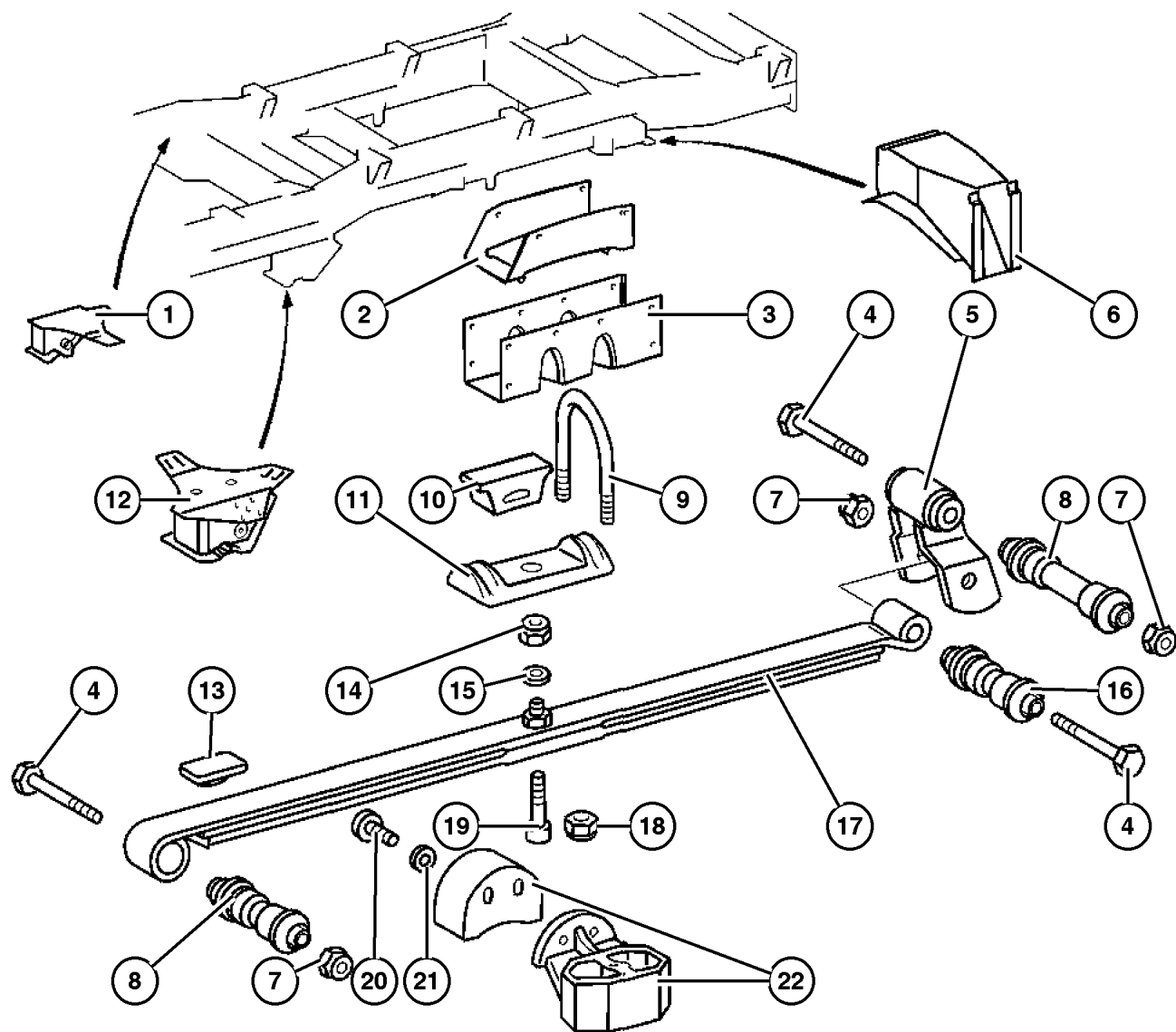
ITEM	PART NUMBER	QTY	LINE	SERIES	BODY	ENGINE	TRANS	TRIM	DESCRIPTION
		4	3, 7	L	12, 15, 16	EX8	DGZ		Upper or Lower
4	5133 881AA	2	2, 6	L	01, 02, 06	EX8	DGZ		SLEEVE, Shock Absorber Upper
	5133 882AA	2	2, 6	L	01, 02, 06	EX8	DGZ		Lower
	5133 881AA	2	2, 6	L	11, 12, 14, 15, 16	EX8	DGZ		Upper
	5133 882AA	2	2, 6	L	11, 12, 14, 15, 16	EX8	DGZ		Lower
	5133 881AA	2	2, 6	L	51, 52, 54, 55, 56	EX8	DGZ		Upper
	5133 882AA	2	2, 6	L	51, 52, 54, 55, 56	EX8	DGZ		Lower
	5133 874AA	2	3, 7	L	02, 06	EX8	DGZ		Upper
	5133 875AA	2	3, 7	L	02, 06	EX8	DGZ		Lower
	5133 874AA	2	3, 7	L	12, 15, 16	EX8	DGZ		Upper
	5133 875AA	2	3, 7	L	12, 15, 16	EX8	DGZ		Lower
5	6104 719AA	2	2, 6	L	01, 02, 06	EX8	DGZ		NUT M14x1.5
		2	2, 6	L	11, 12, 14, 15, 16	EX8	DGZ		M14x1.5
		2	2, 6	L	51, 52, 54, 55, 56	EX8	DGZ		M14x1.5
		2	3, 7	L	02, 06	EX8	DGZ		M14x1.5
		2	3, 7	L	12, 15, 16	EX8	DGZ		M14x1.5
6	5104 061AA	2	2, 6	L	01, 02, 06	EX8	DGZ		SHOCK ABSORBER, Suspension, Rear [3B5]
		2	2, 6	L	11, 12, 14, 15, 16	EX8	DGZ		[3B5]

Refer to Model Legend Information Bookmark

AR = Use as required - = Non illustrated part # = New this model year

March 3, 2006

### Rear Springs, 3500 Series Figure 017-130



ITEM	PART NUMBER	QTY	LINE	SERIES	BODY	ENGINE	TRANS	TRIM	DESCRIPTION
	5133 872AA	2	3, 7	L	02, 06	EX8	DGZ		
		2	3, 7	L	12, 15, 16	EX8	DGZ		
15	5126 120AA	2	3, 7	L	02, 06	EX8	DGZ		WASHER, Spring
		2	3, 7	L	12, 15, 16	EX8	DGZ		
16	5118 703AA	2	3, 7	L	02, 06	EX8	DGZ		BUSHING, Spring Rear
		2	3, 7	L	12, 15, 16	EX8	DGZ		Rear
17	5118 621AA	2	3, 7	L	02, 06	EX8	DGZ		SPRING, Rear Right or Left
		2	3, 7	L	12, 15, 16	EX8	DGZ		Right or Left
18	5103 727AA	8	3, 7	L	02, 06	EX8	DGZ		NUT
		8	3, 7	L	12, 15, 16	EX8	DGZ		
19	5133 871AA	2	3, 7	L	02, 06	EX8	DGZ		BOLT
		2	3, 7	L	12, 15, 16	EX8	DGZ		
20	5097 678AA	4	3, 7	L	12, 15, 16				BOLT
21	5126 126AA	4	3, 7	L	12, 15, 16	EX8	DGZ		NUT
22									SHIM, (NOT SERVICED) (Not Serviced)

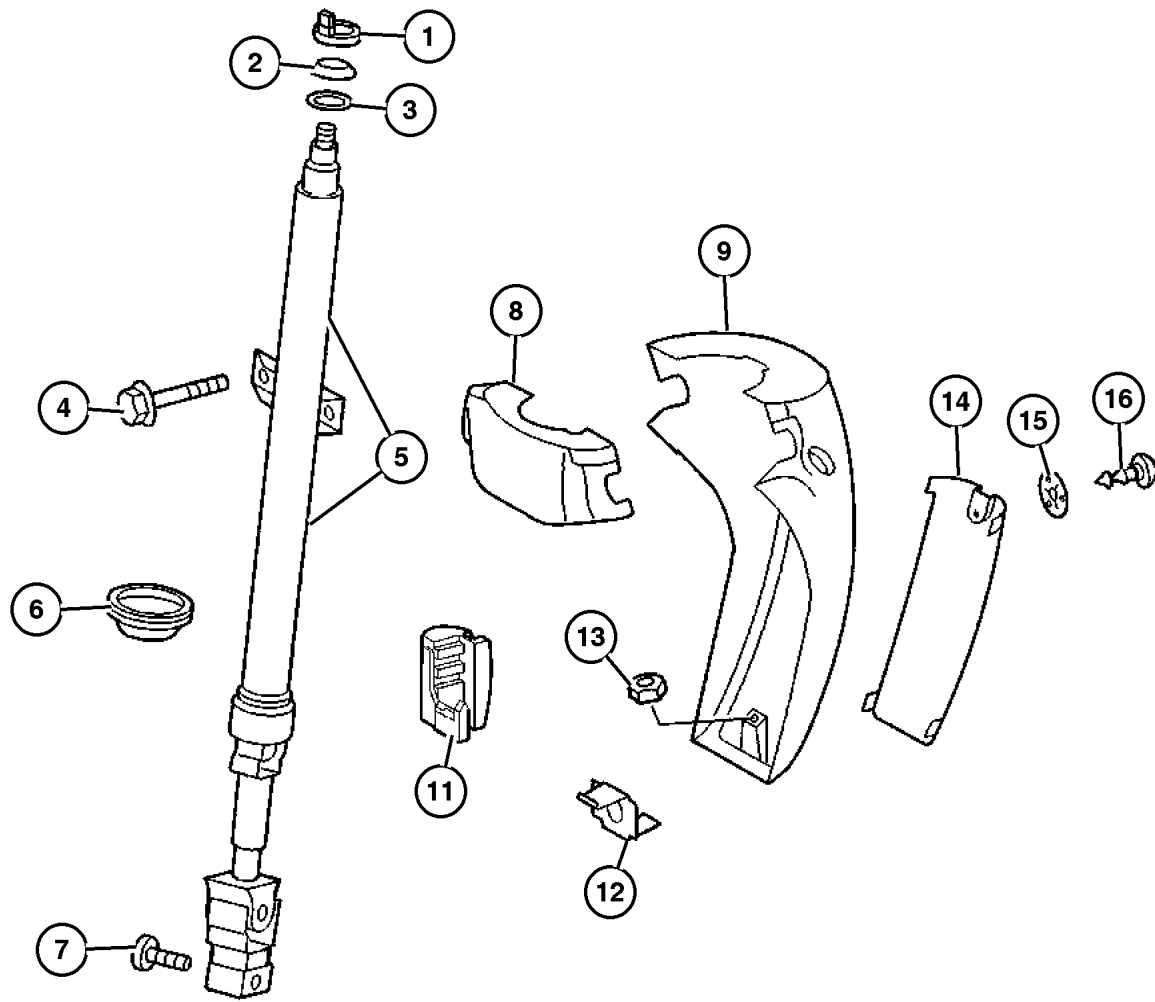
Refer to Model Legend Information Bookmark

AR = Use as required - = Non illustrated part # = New this model year

March 3, 2006

Column Steering and Related  
Figure 019-210

ITEM	PART NUMBER	QTY	LINE	SERIES	BODY	ENGINE	TRANS	TRIM	DESCRIPTION
		2	2, 6	L	51, 52, 54, 55, 56	EX8	DGZ		
		2	3, 7	L	02, 06	EX8	DGZ		
		2	3, 7	L	12, 15, 16	EX8	DGZ		
5	5129 396AA	1	2, 6	L	01, 02, 06	EX8	DGZ		COLUMN, Steering With [BNB]
		1	2, 6	L	11, 12, 14, 15, 16	EX8	DGZ		With [BNB]
		1	2, 6	L	51, 52, 54, 55, 56	EX8	DGZ		With [BNB]
	5129 404AA	1	2, 6	L	01, 02, 06	EX8	DGZ		With [BNB+WDG]
		1	2, 6	L	11, 12, 14, 15, 16	EX8	DGZ		With [BNB+WDG]
		1	2, 6	L	51, 52, 54, 55, 56	EX8	DGZ		With [BNB+WDG]
6	5119 536AA	1	2, 6	L	01, 02, 06	EX8	DGZ		SEAL, Steering Gear
		1	2, 6	L	11, 12, 14, 15, 16	EX8	DGZ		
		1	2, 6	L	51, 52, 54, 55, 56	EX8	DGZ		
		1	3, 7	L	02, 06	EX8	DGZ		
		1	3, 7	L	12, 15, 16	EX8	DGZ		
7	5125 707AA	1	2, 6	L	01, 02, 06	EX8	DGZ		SCREW, Steering Column
		1	2, 6	L	11, 12, 14, 15, 16	EX8	DGZ		
		1	2, 6	L	51, 52, 54, 55, 56	EX8	DGZ		
		1	3, 7	L	02, 06	EX8	DGZ		



Refer to Model Legend Information Bookmark

AR = Use as required - = Non illustrated part # = New this model year

March 3, 2006

CLICK HERE TO **DOWNLOAD** THE COMPLETE MANUAL

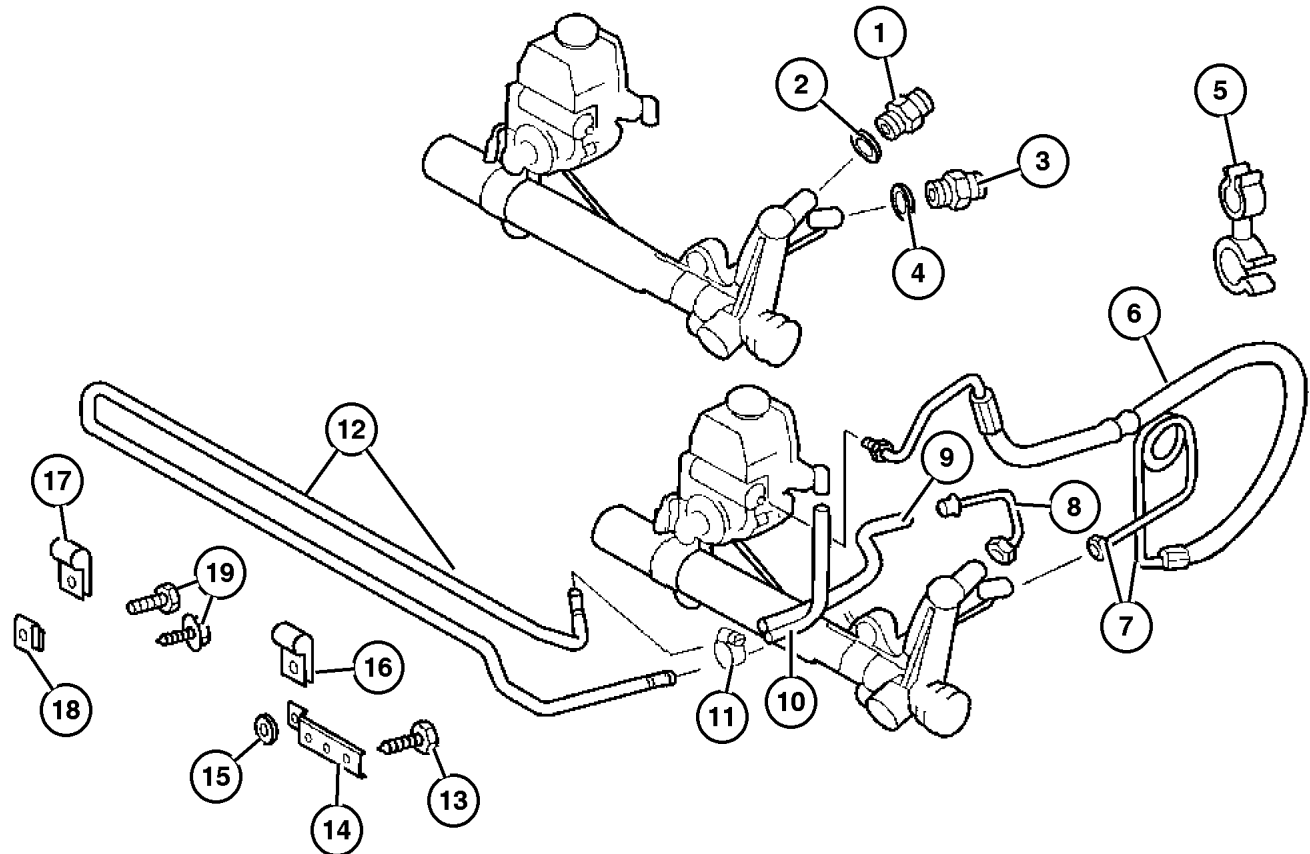
- Thank you very much for reading the preview of the manual.
- You can download the complete manual from: [www.heydownloads.com](http://www.heydownloads.com) by clicking the link below



- Please note: If there is no response to CLICKING the link, please download this PDF first and then click on it.

CLICK HERE TO **DOWNLOAD** THE COMPLETE MANUAL

### Hoses Steering and Related Figure 019-710



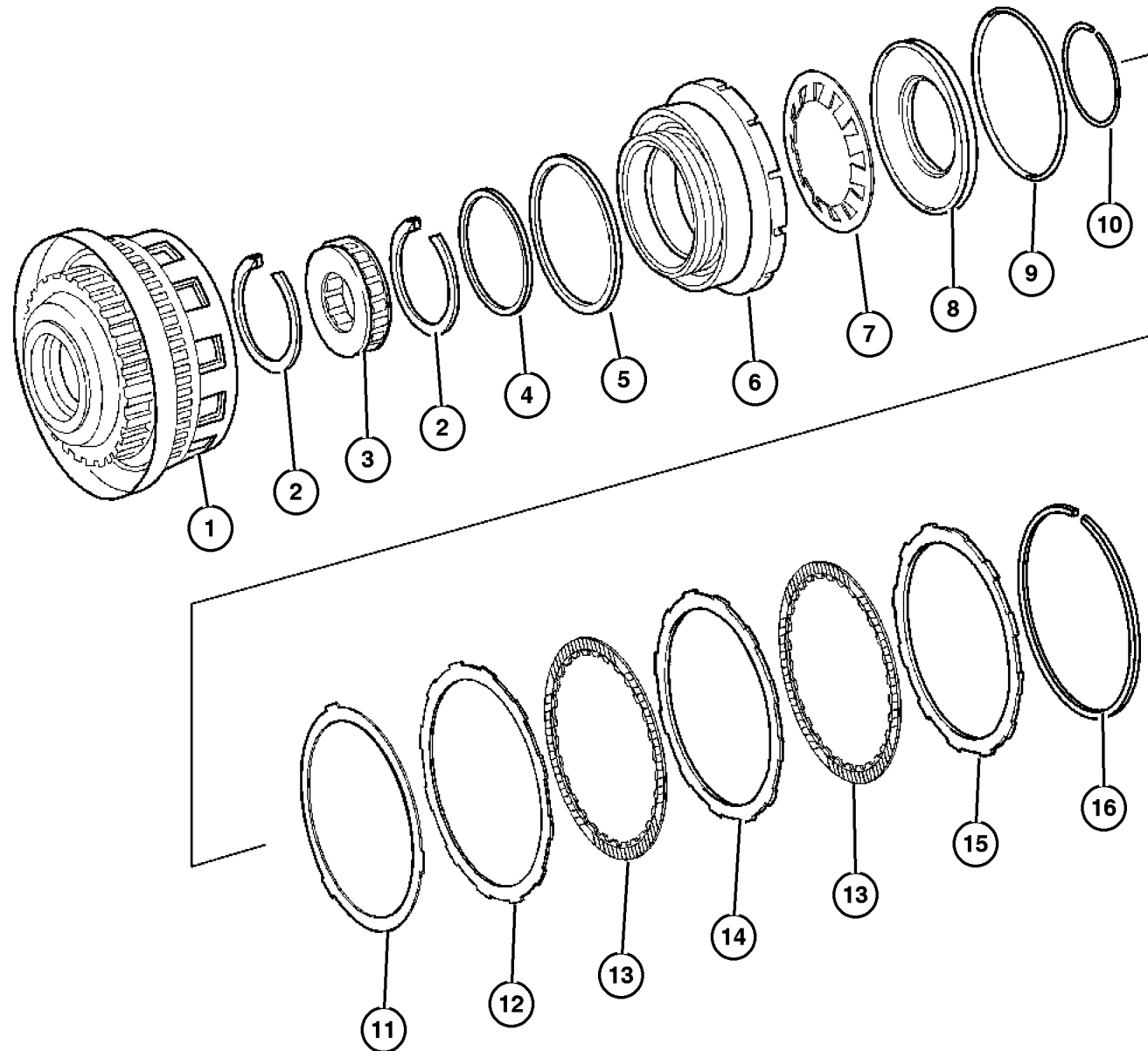
ITEM	PART NUMBER	QTY	LINE	SERIES	BODY	ENGINE	TRANS	TRIM	DESCRIPTION
		1	2, 6	L	51, 52, 54, 55, 56	EX8	DGZ		
		1	3, 7	L	02, 06	EX8	DGZ		
		1	3, 7	L	12, 15, 16	EX8	DGZ		
5	5125 887AA	1	2, 6	L	01, 02, 06	EX8	DGZ		CLAMP, Brake Hose
		1	2, 6	L	11, 12, 14, 15, 16	EX8	DGZ		
		1	2, 6	L	51, 52, 54, 55, 56	EX8	DGZ		
		1	3, 7	L	02, 06	EX8	DGZ		
		1	3, 7	L	12, 15, 16	EX8	DGZ		
6	5119 564AA	1	2, 6	L	01, 02, 06	EX8	DGZ		HOSE, Power Steering Pressure
		1	2, 6	L	11, 12, 14, 15, 16	EX8	DGZ		
		1	2, 6	L	51, 52, 54, 55, 56	EX8	DGZ		
		1	3, 7	L	02, 06	EX8	DGZ		
		1	3, 7	L	12, 15, 16	EX8	DGZ		
7	5119 563AA	1	2, 6	L	01, 02, 06	EX8	DGZ		HOSE, Power Steering Return
		1	2, 6	L	11, 12, 14, 15, 16	EX8	DGZ		
		1	2, 6	L	51, 52, 54, 55, 56	EX8	DGZ		
		1	3, 7	L	02, 06	EX8	DGZ		
		1	3, 7	L	12, 15, 16	EX8	DGZ		
8	5104 093AA	1	2, 6	L	01, 02, 06	EX8	DGZ		LINE, Power Steering Return

Refer to Model Legend Information Bookmark

AR = Use as required - = Non illustrated part # = New this model year

March 3, 2006

**Gear Train, Front Planetary Clutch - [K-1] [DGZ]  
Figure NAG1-420**



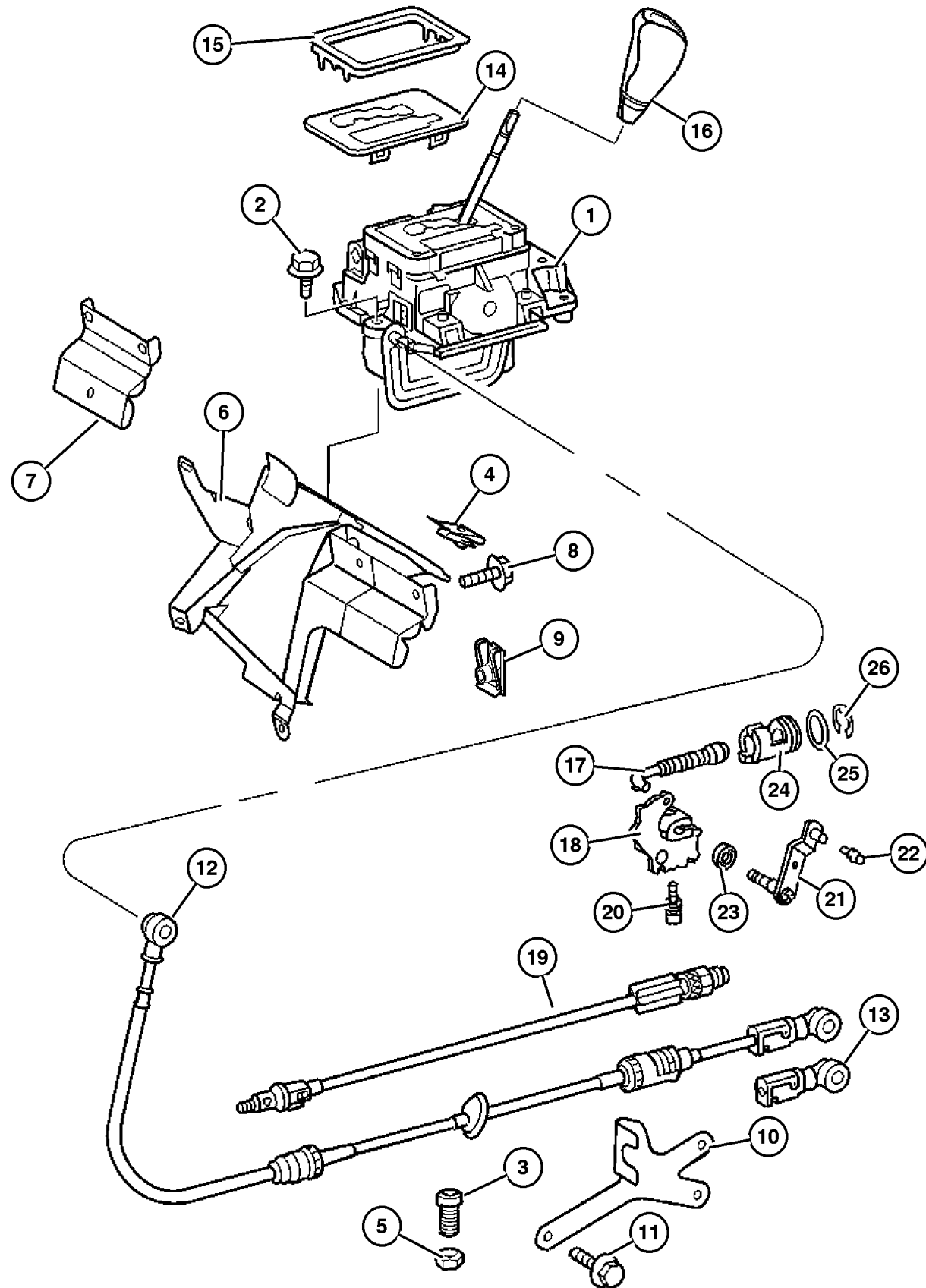
ITEM	PART NUMBER	QTY	LINE	SERIES	BODY	ENGINE	TRANS	TRIM	DESCRIPTION
NOTE:									
Sales Codes:									
[DGZ]=5 Speed Automatic Transmission - [NAG1] - [W5A380]									
1	52108 510AA	1	2, 3, 6, 7	L		EX8	DGZ		DISC, Support
2	52107 955AA	2	2, 3, 6, 7	L		EX8	DGZ		SNAP RING
3	52108 342AA	1	2, 3, 6, 7	L		EX8	DGZ		WHEEL
4	52107 938AA	1	2, 3, 6, 7	L		EX8	DGZ		SEAL, Transmission
5	52107 939AA	1	2, 3, 6, 7	L		EX8	DGZ		SEAL, Transmission
6									PISTON
	52108 059AA	1	2, 6	L		EX8	DGZ		
		1	3, 7	L		EX8	DGZ		
7	52108 057AA	1	2, 3, 6, 7	L		EX8	DGZ		DISC, Spring
8	52108 058AA	1	2, 3, 6, 7	L		EX8	DGZ		SPRING, Retainer
9	52107 941AA	1	2, 3, 6, 7	L		EX8	DGZ		SEAL, Transmission
10	52107 954AA	1	2, 3, 6, 7	L		EX8	DGZ		SNAP RING
11	52108 024AA	1	2, 3, 6, 7	L		EX8	DGZ		DISC, Spring
12	52107 992AA	1		L					DISC, Outer, [1.8 MM]
13	52108 507AA	4	2, 3, 6, 7	L		EX8	DGZ		DISC, Inner
14	52108 508AA	4	2, 3, 6, 7	L		EX8	DGZ		DISC, Outer, [2.07 MM]
15	52107 994AA	1	2, 3, 6, 7	L		EX8	DGZ		DISC, Outer, [4.0 MM]
16									SNAP RING
	52107 949AA	1	2, 3, 6, 7	L		EX8	DGZ		[2.6 MM]
	52107 950AA	1	2, 3, 6, 7	L		EX8	DGZ		[2.9 MM]
	52107 951AA	1	2, 3, 6, 7	L		EX8	DGZ		[3.2 MM]
	52107 952AA	1	2, 3, 6, 7	L		EX8	DGZ		[3.5 MM]
	52108 373AA	1	2, 3, 6, 7	L		EX8	DGZ		[3.8 MM]

Refer to Model Legend Information Bookmark

AR = Use as required - = Non illustrated part # = New this model year

March 3, 2006

### Gear Shift Control [DGZ] Figure NAG1-1210



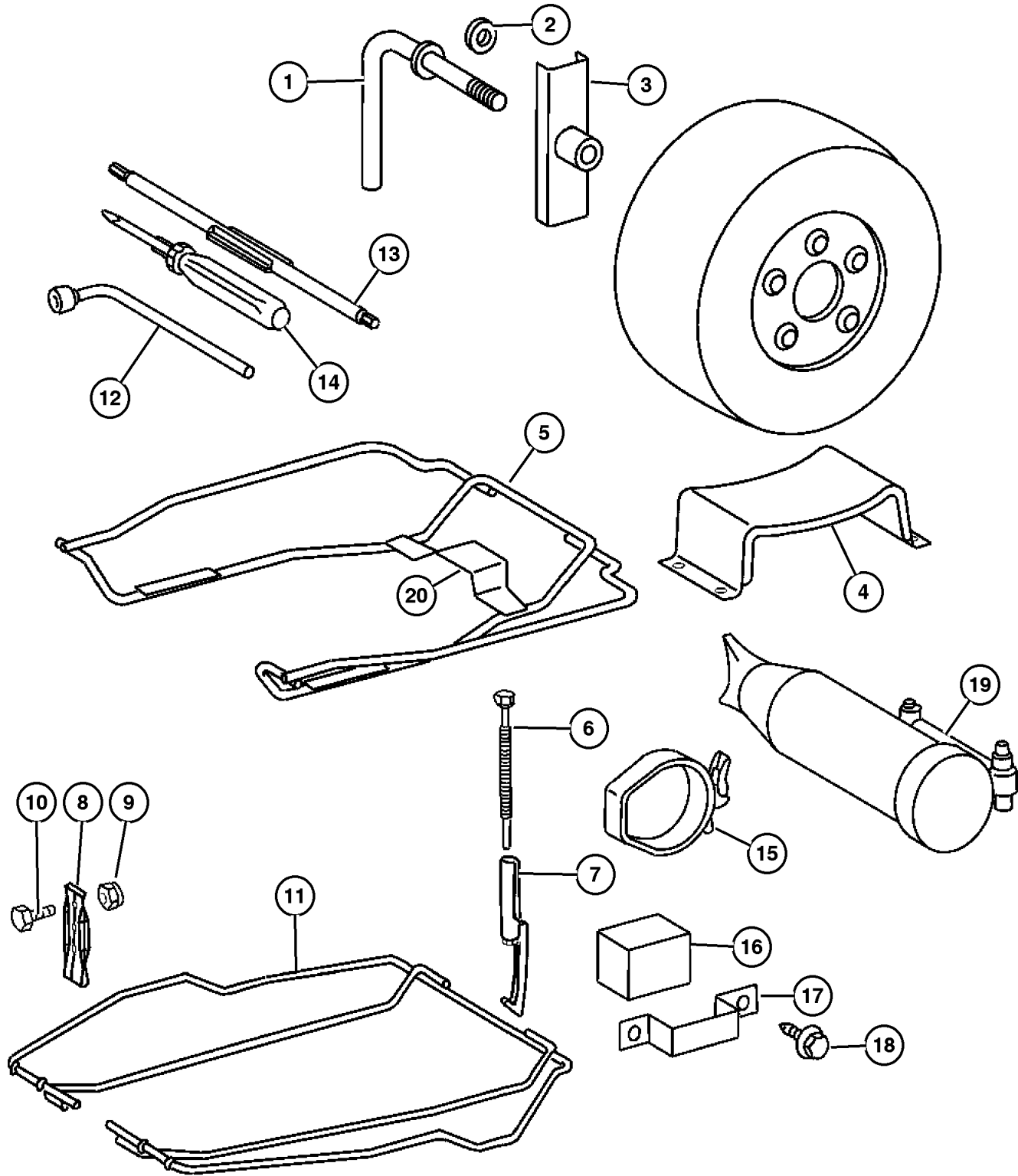
ITEM	PART NUMBER	QTY	LINE	SERIES	BODY	ENGINE	TRANS	TRIM	DESCRIPTION
NOTE:									
Sales Codes:									
[DGZ]=5 Speed Automatic Transmission - [NAG1] - [W5A380]									
1	5104 040AA	1	2, 6	L		EX8	DGZ		SHIFTER, Transmission
		1	3, 7	L		EX8	DGZ		
2	5133 476AB	2	2, 6	L		EX8	DGZ		SCREW
		2	3, 7	L		EX8	DGZ		
3	6104 142AA	2	2, 6	L		EX8	DGZ		SCREW
		2	3, 7	L		EX8	DGZ		
4	5103 733AA	3	2, 6	L		EX8	DGZ		NUT
		3	3, 7	L		EX8	DGZ		
5	5126 253AA	2	2, 6	L		EX8	DGZ		NUT
		2	3, 7	L		EX8	DGZ		
6	5117 814AA	1	2, 6	L		EX8	DGZ		SUPPORT
		1	3, 7	L		EX8	DGZ		
7	5122 893AA	1	2, 6	L		EX8	DGZ		BRACKET, Transmission Shifter
		1	3, 7	L		EX8	DGZ		
8	5126 227AA	2	2, 6	L		EX8	DGZ		BOLT, Hex Head
		2	3, 7	L		EX8	DGZ		
9	5125 859AA	10	2, 6	L		EX8	DGZ		U-NUT
		10	3, 7	L		EX8	DGZ		
10	5117 826AA	1	2, 6	L		EX8	DGZ		BRACKET, Gearshift
		1	3, 7	L		EX8	DGZ		
11	5126 101AA	3	2, 6	L		EX8	DGZ		BOLT, Hex Head
		3	3, 7	L		EX8	DGZ		
12	5104 039AA	1	2, 6	L		EX8	DGZ		CABLE, Gear Selector
		1	3, 7	L		EX8	DGZ		
13	5104 044AA	1	2, 6	L		EX8	DGZ		RETAINER, Transmission Control Shift
		1	3, 7	L		EX8	DGZ		
14	5104 041AA	1	2, 6	L		EX8	DGZ		COVER, Gearshift

Refer to Model Legend Information Bookmark

AR = Use as required - = Non illustrated part # = New this model year

March 3, 2006

Jack and Stowage  
Figure 022-340



ITEM	PART NUMBER	QTY	LINE	SERIES	BODY	ENGINE	TRANS	TRIM	DESCRIPTION
	5133 292AA	1	2, 6	L	01, 02, 06				
		1	2, 6	L	11, 12, 14, 15, 16				
		1	2, 6	L	51, 52, 54, 55, 56				
		1	3, 7	L	02, 06				
		1	3, 7	L	12, 15, 16				
17									BRACKET, Jack
	5133 293AA	1	2, 6	L	01, 02, 06				
		1	2, 6	L	11, 12, 14, 15, 16				
		1	2, 6	L	51, 52, 54, 55, 56				
		1	3, 7	L	02, 06				
		1	3, 7	L	12, 15, 16				
18									SCREW, Self-Tapping
	5133 295AA	2	2, 6	L	11, 12, 14, 15, 16				
		2	2, 6	L	51, 52, 54, 55, 56				
		2	3, 7	L	12, 15, 16				
19									JACK
	5104 587AA	1	2, 6	L	01, 02, 06				[4E9+XEG]
		1	2, 6	L	11, 12, 14, 15, 16				[4E9+XEG]
		1	2, 6	L	51, 52, 54, 55, 56				[4E9+XEG-(XFQ=XL8)]
		1	3, 7	L	02, 06				[XEG]
		1	3, 7	L	12, 15, 16				[XEG]
20	5140 580AA	1	3, 7	L	06				BRACKET, Spare Tire, [5AF+TBN+4JR]

Refer to Model Legend Information Bookmark

AR = Use as required - = Non illustrated part # = New this model year

March 3, 2006

# Group – 024

## Air Conditioning & Heater

### GROUP 24 - Air Conditioning & Heater

Illustration Title

Group-Fig. No.

#### Air Conditioner and Heater Units

Hevac Unit, Front ..... Fig. 024-130

#### Air Conditioner and Heater Plumbing

Heat Exchanger and Plumbing ..... Fig. 024-250

Plumbing, Heater ..... Fig. 024-260

Plumbing, Heater with Auxiliary warm water Heater ..... Fig. 024-265

Plumbing, Air Conditioning ..... Fig. 024-270

Condenser, Fan Front ..... Fig. 024-280

Condenser, Fan Roof ..... Fig. 024-285

Auxiliary Warm Water Heater ..... Fig. 024-290

#### Air Conditioner and Heater Controls

Control ..... Fig. 024-320

#### Air Conditioning Compressor

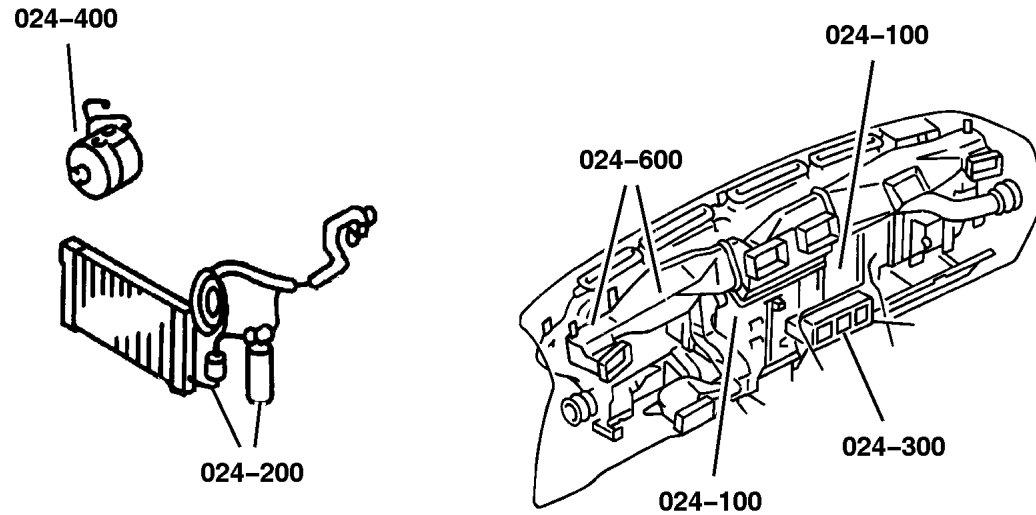
Compressor and Mounting ..... Fig. 024-420

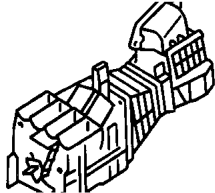
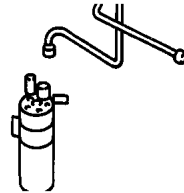
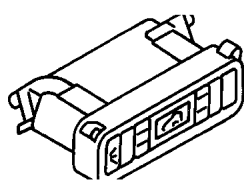
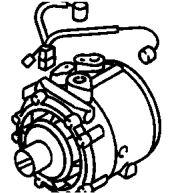
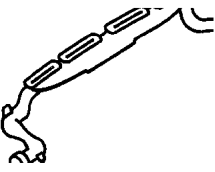
#### Air Ducts and Outlets

Air Ducts And Outlets, Front ..... Fig. 024-630

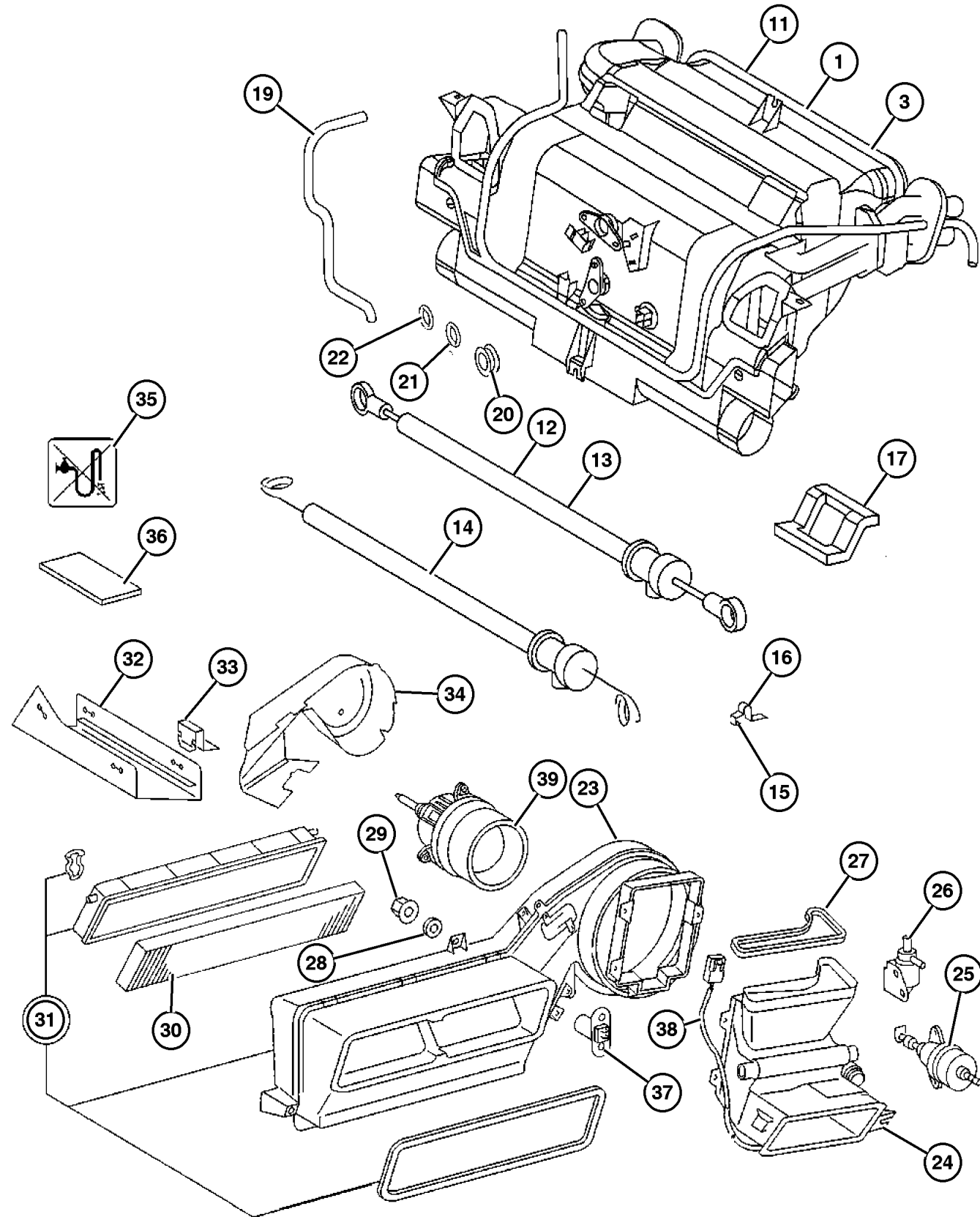
Air Ducts And Outlets, Rear ..... Fig. 024-640

Ventilator, Roof Mounted ..... Fig. 024-650



<p><b>024-100</b> Air Conditioner and Heater Units</p> 	<p><b>024-200</b> Air Conditioner and Heater Plumbing</p> 	<p><b>024-300</b> Air Conditioner and Heater Controls</p> 	<p><b>024-400</b> Air Conditioning Compressor</p> 
<p><b>024-600</b> Air Ducts and Outlets</p> 			

Hevac Unit, Front  
Figure 024-130



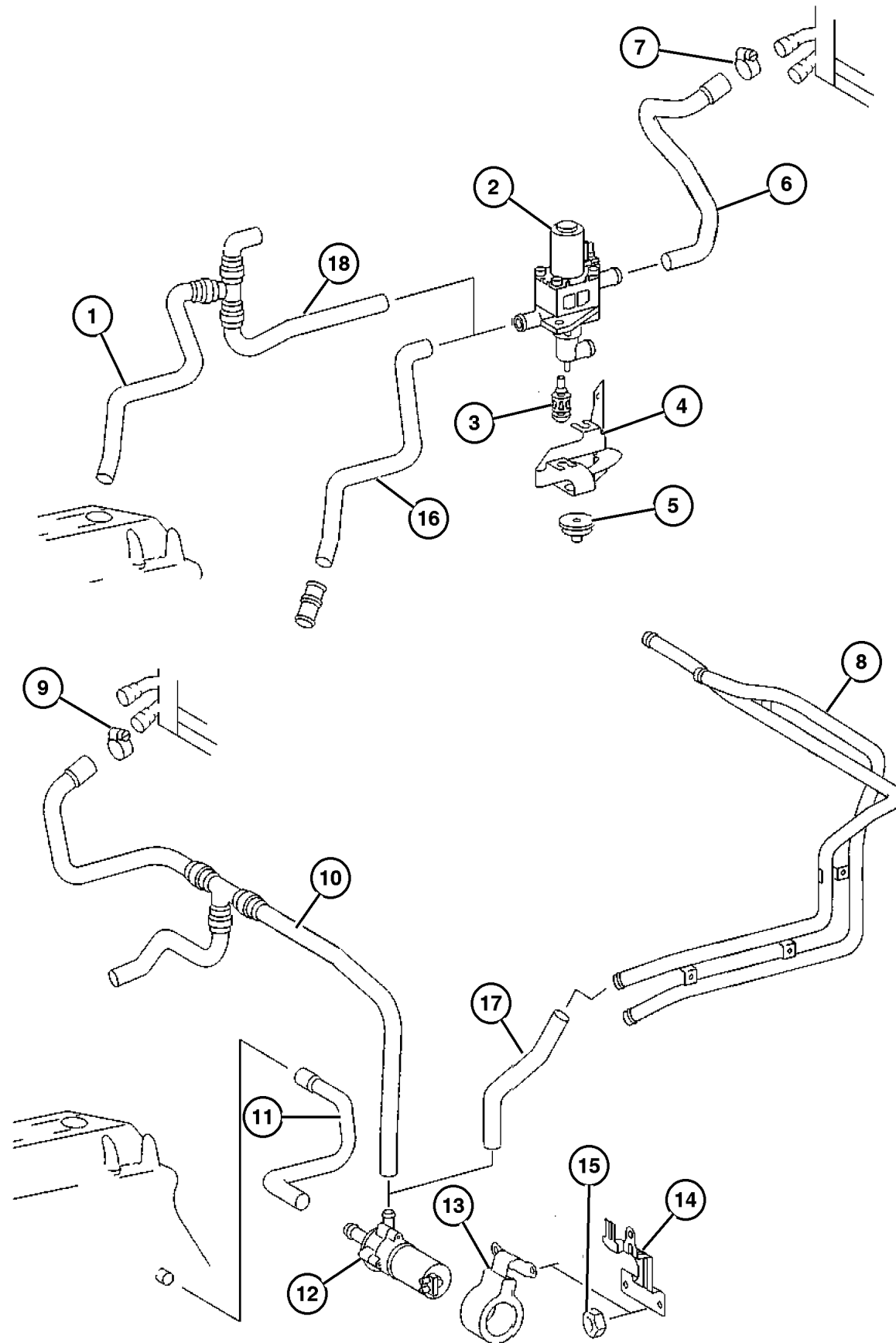
ITEM	PART NUMBER	QTY	LINE	SERIES	BODY	ENGINE	TRANS	TRIM	DESCRIPTION
		5	2, 6		51, 52,	EX8			
					54, 55,				
					56				
		5	3, 7		02, 06	EX8			
		5	3, 7		12, 15,	EX8			
					16				
34	5124 760AA	1	2, 6		01, 02,	EX8			INSULATION, Blower Motor
					06				
		1	2, 6		11, 12,	EX8			
					14, 15,				
					16				
		1	2, 6		51, 52,	EX8			
					54, 55,				
					56				
		1	3, 7		02, 06	EX8			
		1	3, 7		12, 15,	EX8			
					16				
35	5121 077AA	1	2, 6		01, 02,	EX8			LABEL
					06				
		1	2, 6		11, 12,	EX8			
					14, 15,				
					16				
		1	2, 6		51, 52,	EX8			
					54, 55,				
					56				
		1	3, 7		02, 06	EX8			
		1	3, 7		12, 15,	EX8			
					16				
36	5133 443AA	5	2, 6		01, 02,	EX8			PAD
					06				
		5	2, 6		11, 12,	EX8			
					14, 15,				
					16				
		5	2, 6		51, 52,	EX8			
					54, 55,				
					56				
		5	3, 7		12, 15,	EX8			
					16				
37	5133 432AA	1	2, 6		01, 02,	EX8			RESISTOR, Blower Motor
					06				

Refer to Model Legend Information Bookmark

AR = Use as required - = Non illustrated part # = New this model year

March 3, 2006

Plumbing, Heater  
Figure 024-260



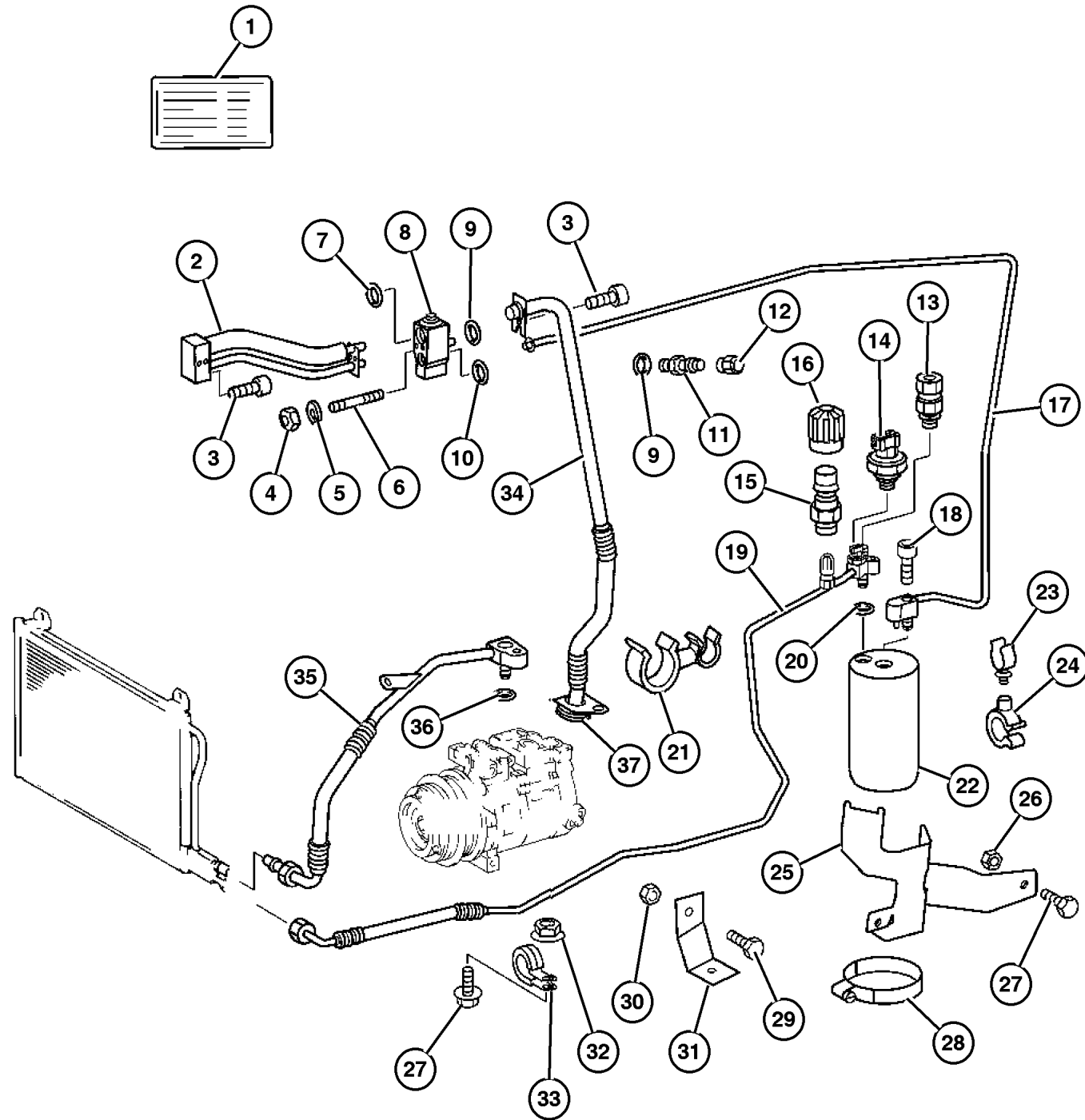
ITEM	PART NUMBER	QTY	LINE	SERIES	BODY	ENGINE	TRANS	TRIM	DESCRIPTION
		1	3, 7		02, 06	EX8			
		1	3, 7		12, 15, 16	EX8			
5	5125 504AA	1	2, 6		01, 02, 06	EX8			BUMPER, Rubber
		1	2, 6		11, 12, 14, 15, 16	EX8			
		1	2, 6		51, 52, 54, 55, 56	EX8			
		1	3, 7		02, 06	EX8			
		1	3, 7		12, 15, 16	EX8			
6	5124 846AA	1	2, 6		01, 02, 06	EX8			HOSE
		1	2, 6		11, 12, 14, 15, 16	EX8			
		1	2, 6		51, 52, 54, 55, 56	EX8			
		1	3, 7		02, 06	EX8			
		1	3, 7		12, 15, 16	EX8			
7	5126 287AA	11	2, 6		01, 02, 06	EX8			CLAMP, CLAMP
		11	2, 6		11, 12, 14, 15, 16	EX8			
		11	2, 6		51, 52, 54, 55, 56	EX8			
		11	3, 7		02, 06	EX8			
		11	3, 7		12, 15, 16	EX8			
8	5124 644AA	1	2, 6		01, 02, 06	EX8			TUBE, Heater
		1	2, 6		11, 12, 14, 15, 16	EX8			

Refer to Model Legend Information Bookmark

AR = Use as required - = Non illustrated part # = New this model year

March 3, 2006

Plumbing, Air Conditioning  
Figure 024-270



ITEM	PART NUMBER	QTY	LINE	SERIES	BODY	ENGINE	TRANS	TRIM	DESCRIPTION
		1	2, 6		51, 52, 54, 55, 56	EX8			
		1	3, 7		02, 06	EX8			
		1	3, 7		12, 15, 16	EX8			
6	5134 028AA	1	2, 6		01, 02, 06	EX8			STUD, Expansion Valve
		1	2, 6		11, 12, 14, 15, 16	EX8			
		1	2, 6		51, 52, 54, 55, 56	EX8			
		1	3, 7		02, 06	EX8			
		1	3, 7		12, 15, 16	EX8			
7	5098 971AA	1	2, 6		01, 02, 06	EX8			O RING, A/C Line
		1	2, 6		11, 12, 14, 15, 16	EX8			
		1	2, 6		51, 52, 54, 55, 56	EX8			
		1	3, 7		02, 06	EX8			
		1	3, 7		12, 15, 16	EX8			
8	5138 897AA	1	2, 6		11, 12, 14, 15, 16	EX8			VALVE, Expansion
		1	2, 6		51, 52, 54, 55, 56	EX8			
		1	3, 7		12, 15, 16	EX8			
9	5103 930AA	2	2, 6		01, 02, 06	EX8			O RING, A/C Line
		2	2, 6		11, 12, 14, 15, 16	EX8			

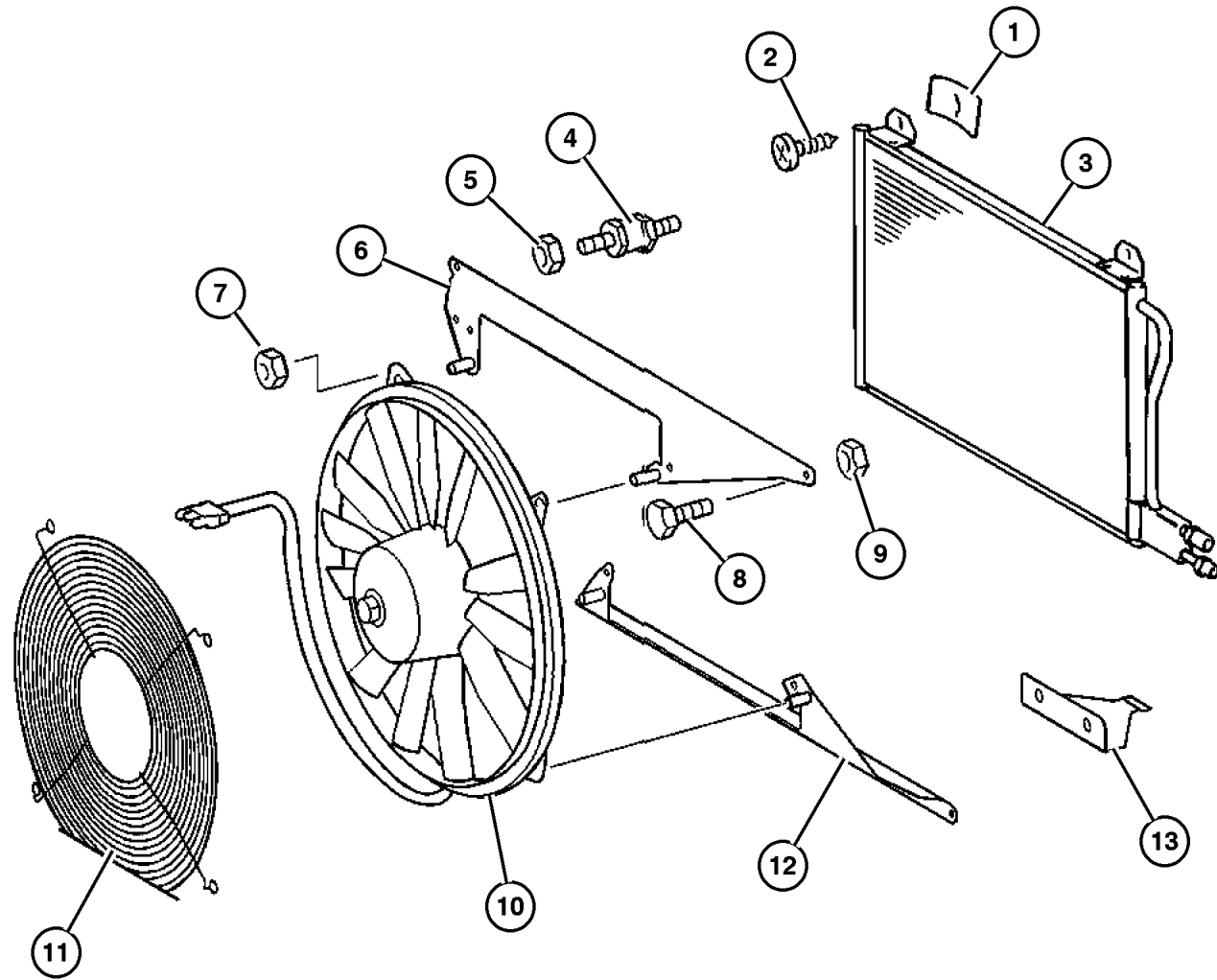
Refer to Model Legend Information Bookmark

AR = Use as required - = Non illustrated part # = New this model year

March 3, 2006

Condenser, Fan Front  
Figure 024-280

ITEM	PART NUMBER	QTY	LINE	SERIES	BODY	ENGINE	TRANS	TRIM	DESCRIPTION
	5104 031AA	2	2, 6		01, 02, 06	EX8			
		2	2, 6		11, 12, 14, 15, 16	EX8			
		2	2, 6		51, 52, 54, 55, 56	EX8			
		2	3, 7		02, 06	EX8			
		2	3, 7		12, 15, 16	EX8			
5	5104 675AA	2	2, 6		01, 02, 06	EX8			NUT
		2	2, 6		11, 12, 14, 15, 16	EX8			
		2	2, 6		51, 52, 54, 55, 56	EX8			
		2	3, 7		02, 06	EX8			
		2	3, 7		12, 15, 16	EX8			
6	5119 989AA	1	2, 6		01, 02, 06	EX8			BRACKET, Fan
		1	2, 6		11, 12, 14, 15, 16	EX8			
		1	2, 6		51, 52, 54, 55, 56	EX8			
		1	3, 7		02, 06	EX8			
		1	3, 7		12, 15, 16	EX8			
7	6104 715AA	4	2, 6		01, 02, 06	EX8			NUT
		4	2, 6		11, 12, 14, 15, 16	EX8			
		4	2, 6		51, 52, 54, 55, 56	EX8			
		4	3, 7		02, 06	EX8			

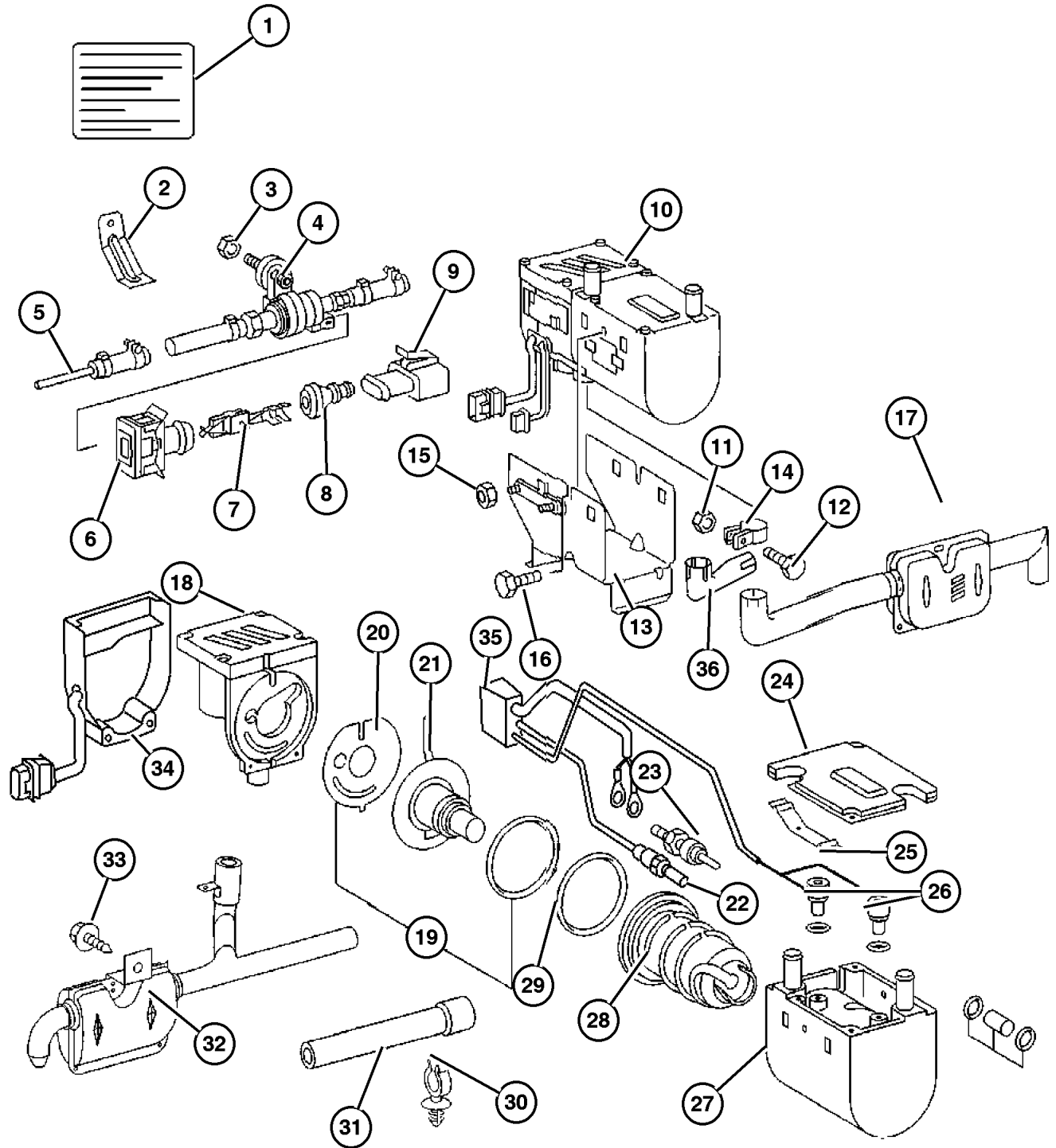


Refer to Model Legend Information Bookmark

AR = Use as required - = Non illustrated part # = New this model year

March 3, 2006

**Auxiliary Warm Water Heater  
Figure 024-290**



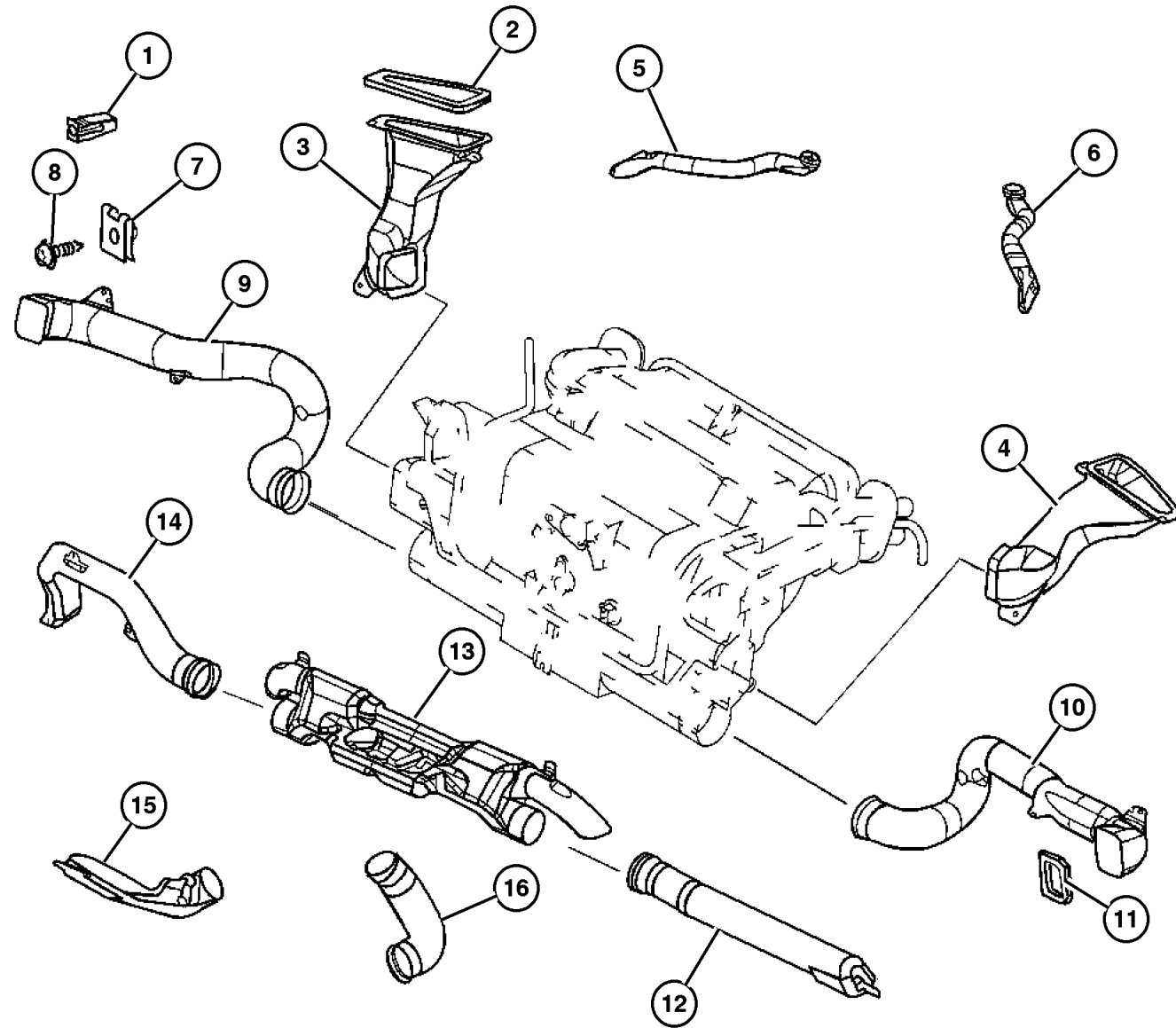
ITEM	PART NUMBER	QTY	LINE	SERIES	BODY	ENGINE	TRANS	TRIM	DESCRIPTION
	6104 003AA	2	2, 6		01, 02, 06	EX8			
		2	2, 6		11, 12, 14, 15, 16	EX8			
		2	2, 6		51, 52, 54, 55, 56	EX8			
		2	3, 7		02, 06	EX8			
		2	3, 7		12, 15, 16	EX8			
17	5143 178AA	1	2, 6		01, 02, 06	EX8			MUFFLER, Exhaust
		1	2, 6		11, 12, 14, 15, 16	EX8			
		1	2, 6		51, 52, 54, 55, 56	EX8			
		1	3, 7		02, 06	EX8			
		1	3, 7		12, 15, 16	EX8			
18	5133 435AA	1	2, 6		01, 02, 06	EX8			BLOWER
		1	2, 6		11, 12, 14, 15, 16	EX8			
		1	2, 6		51, 52, 54, 55, 56	EX8			
		1	3, 7		02, 06	EX8			
		1	3, 7		12, 15, 16	EX8			
19	5133 307AB	1	2, 6		01, 02, 06	EX8			SEAL
		1	2, 6		11, 12, 14, 15, 16	EX8			
		1	2, 6		51, 52, 54, 55, 56	EX8			
		1	3, 7		02, 06	EX8			

Refer to Model Legend Information Bookmark

AR = Use as required - = Non illustrated part # = New this model year

March 3, 2006

### Air Ducts And Outlets, Front Figure 024-630



ITEM	PART NUMBER	QTY	LINE	SERIES	BODY	ENGINE	TRANS	TRIM	DESCRIPTION
1									NUT, Plastic Snap-in
	5125 576AA	2	2, 6		01, 02, 06	EX8			
		2	2, 6		11, 12, 14, 15, 16	EX8			
		2	3, 7		02, 06	EX8			
		2	3, 7		12, 15, 16	EX8			
2									SEAL
	5124 781AA	1	2, 6		01, 02, 06	EX8			Left
		1	2, 6		11, 12, 14, 15, 16	EX8			Left
		1	2, 6		51, 52, 54, 55, 56	EX8			Left
		1	3, 7		02, 06	EX8			Left
		1	3, 7		12, 15, 16	EX8			Left
	5124 782AA	1	2, 6		01, 02, 06	EX8			Right
		1	2, 6		11, 12, 14, 15, 16	EX8			Right
		1	2, 6		51, 52, 54, 55, 56	EX8			Right
		1	3, 7		02, 06	EX8			Right
		1	3, 7		12, 15, 16	EX8			Right
3									DUCT, Defroster
	5133 445AA	1	2, 6		01, 02, 06	EX8			
		1	2, 6		11, 12, 14, 15, 16	EX8			
		1	2, 6		51, 52, 54, 55, 56	EX8			
		1	3, 7		02, 06	EX8			
		1	3, 7		12, 15, 16	EX8			
4									DUCT, AIR

Refer to Model Legend Information Bookmark

AR = Use as required - = Non illustrated part # = New this model year

March 3, 2006

# Group – DVA

## Doors and Related Parts

### GROUP DVA - Doors and Related Parts

Illustration Title

Group-Fig. No.

#### Front Door

Door, Front Shell and Hinges .....	Fig. DVA-110
Door, Front Glass and Regulator Handle .....	Fig. DVA-120
Door, Front Exterior Handle and Links .....	Fig. DVA-130

#### Door, Sliding Cargo

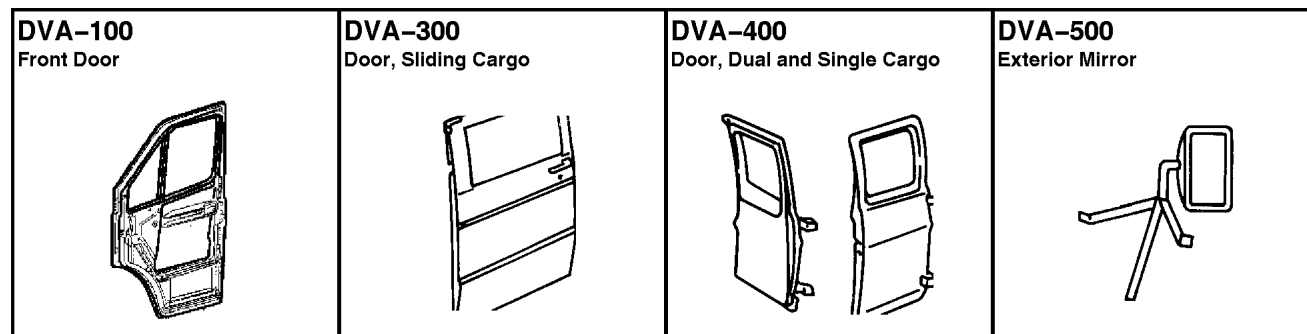
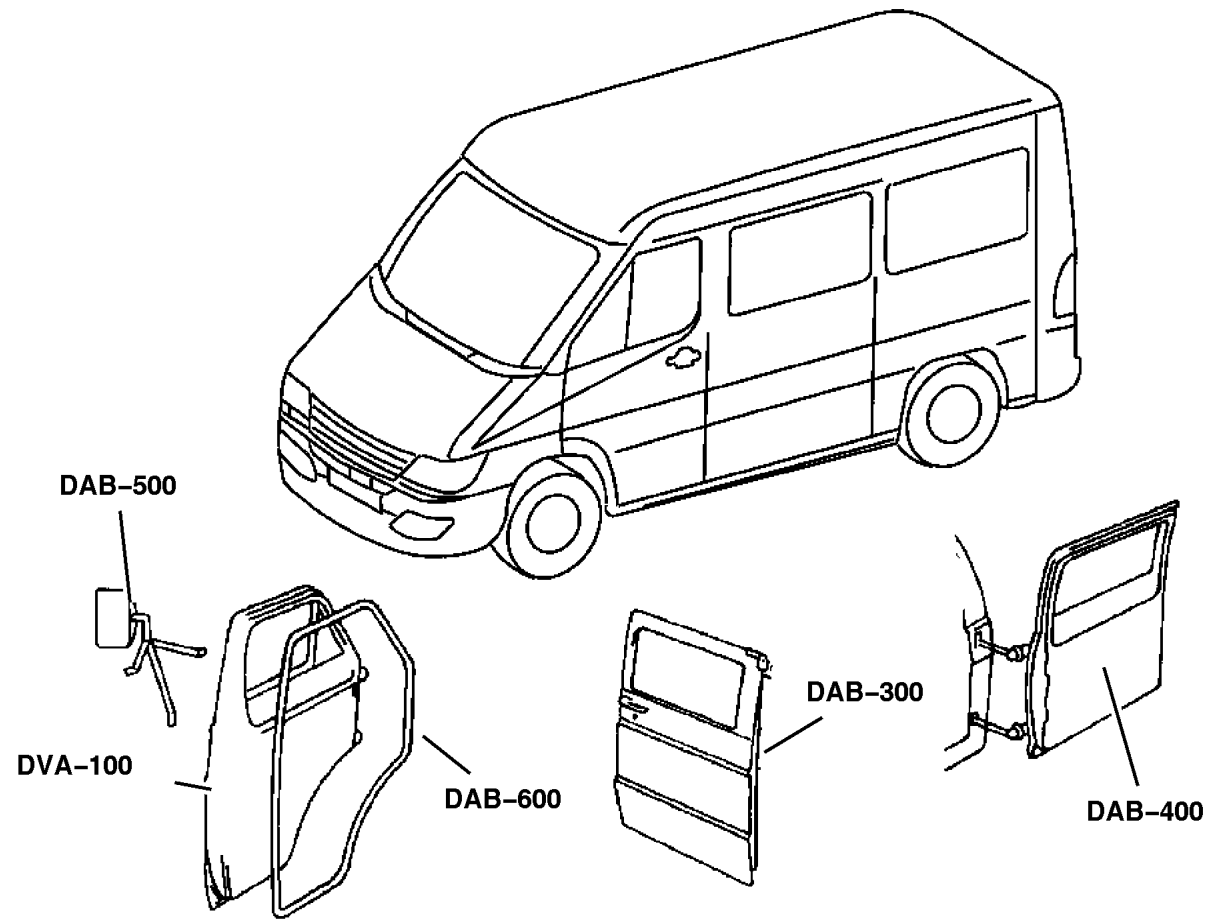
Door, Sliding Cargo Shell and Hinges .....	Fig. DVA-310
Door, Sliding Cargo Glass .....	Fig. DVA-320
Door, Sliding Cargo Lock and Controls .....	Fig. DVA-330

#### Door, Dual and Single Cargo

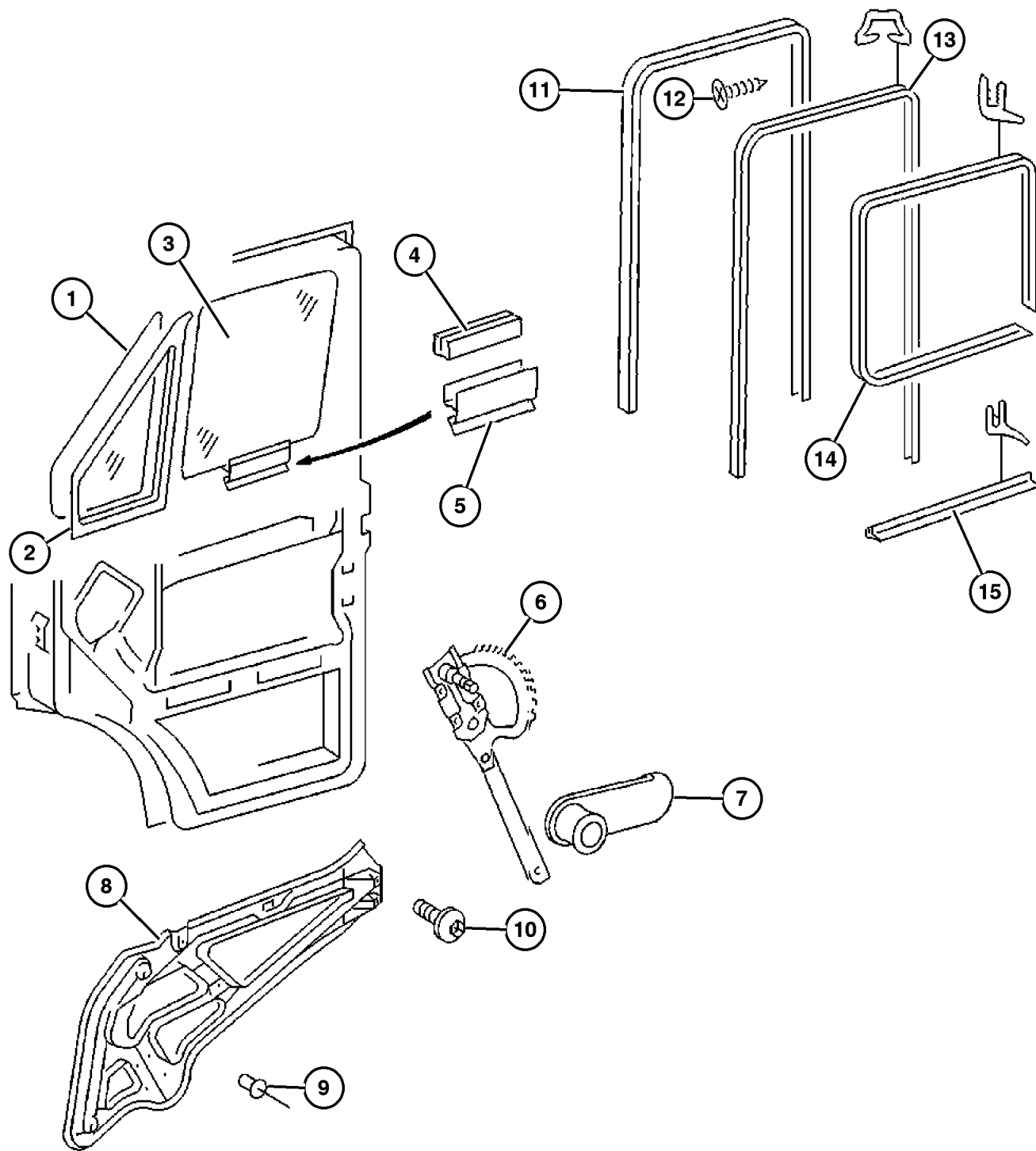
Door, Cargo Shell and Hinges .....	Fig. DVA-410
Door, Cargo Glass and Hardware .....	Fig. DVA-420
Door, Cargo Lock and Control .....	Fig. DVA-430

#### Exterior Mirror

Mirrors, Exterior .....	Fig. DVA-520
-------------------------	--------------



Door, Front Glass and Regulator Handle  
Figure DVA-120



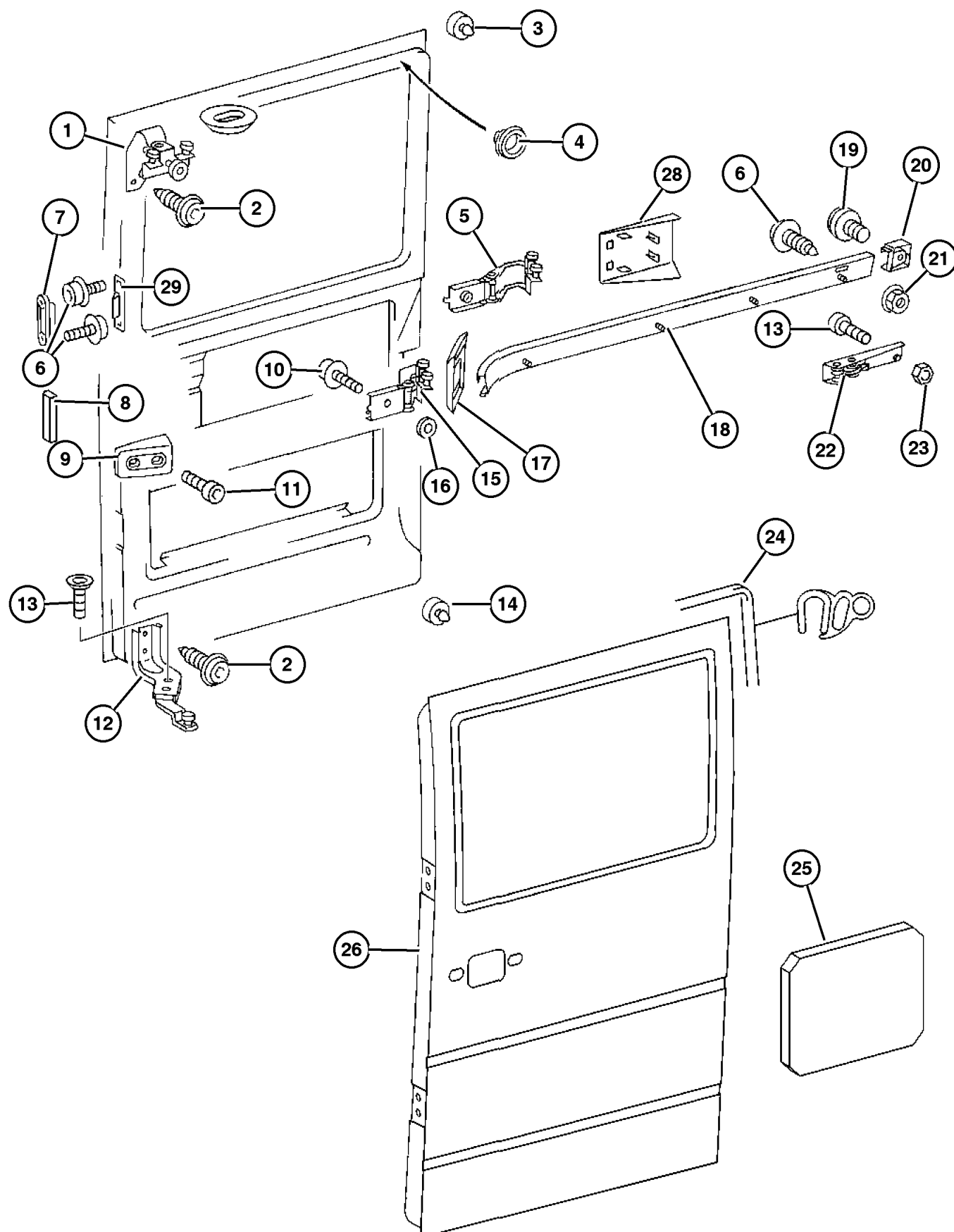
ITEM	PART NUMBER	QTY	LINE	SERIES	BODY	ENGINE	TRANS	TRIM	DESCRIPTION
		1	2, 6	L	51, 52, 54, 55, 56				Right
		1	3, 7	L	02, 06				Right
		1	3, 7	L	12, 15, 16				Right
7	1AR23 CSSAA	1	2, 6	L	01, 02, 06				HANDLE, Window Regulator
		1	2, 6	L	11, 12, 14, 15, 16				
		1	2, 6	L	51, 52, 54, 55, 56				
		1	3, 7	L	02, 06				
		1	3, 7	L	12, 15, 16				
8	5123 685AA	1	2, 6	L	01, 02, 06				BRACKET, Door Inside Left
		1	2, 6	L	11, 12, 14, 15, 16				Left
		1	2, 6	L	51, 52, 54, 55, 56				Left
		1	3, 7	L	02, 06				Left
		1	3, 7	L	12, 15, 16				Left
	5123 686AA	1	2, 6	L	01, 02, 06				Right
		1	2, 6	L	11, 12, 14, 15, 16				Right
		1	2, 6	L	51, 52, 54, 55, 56				Right
		1	3, 7	L	02, 06				Right
		1	3, 7	L	12, 15, 16				Right
9	5103 838AA	4	2, 6	L	01, 02, 06				RIVET

Refer to Model Legend Information Bookmark

AR = Use as required - = Non illustrated part # = New this model year

March 3, 2006

Door, Sliding Cargo Shell and Hinges  
Figure DVA-310



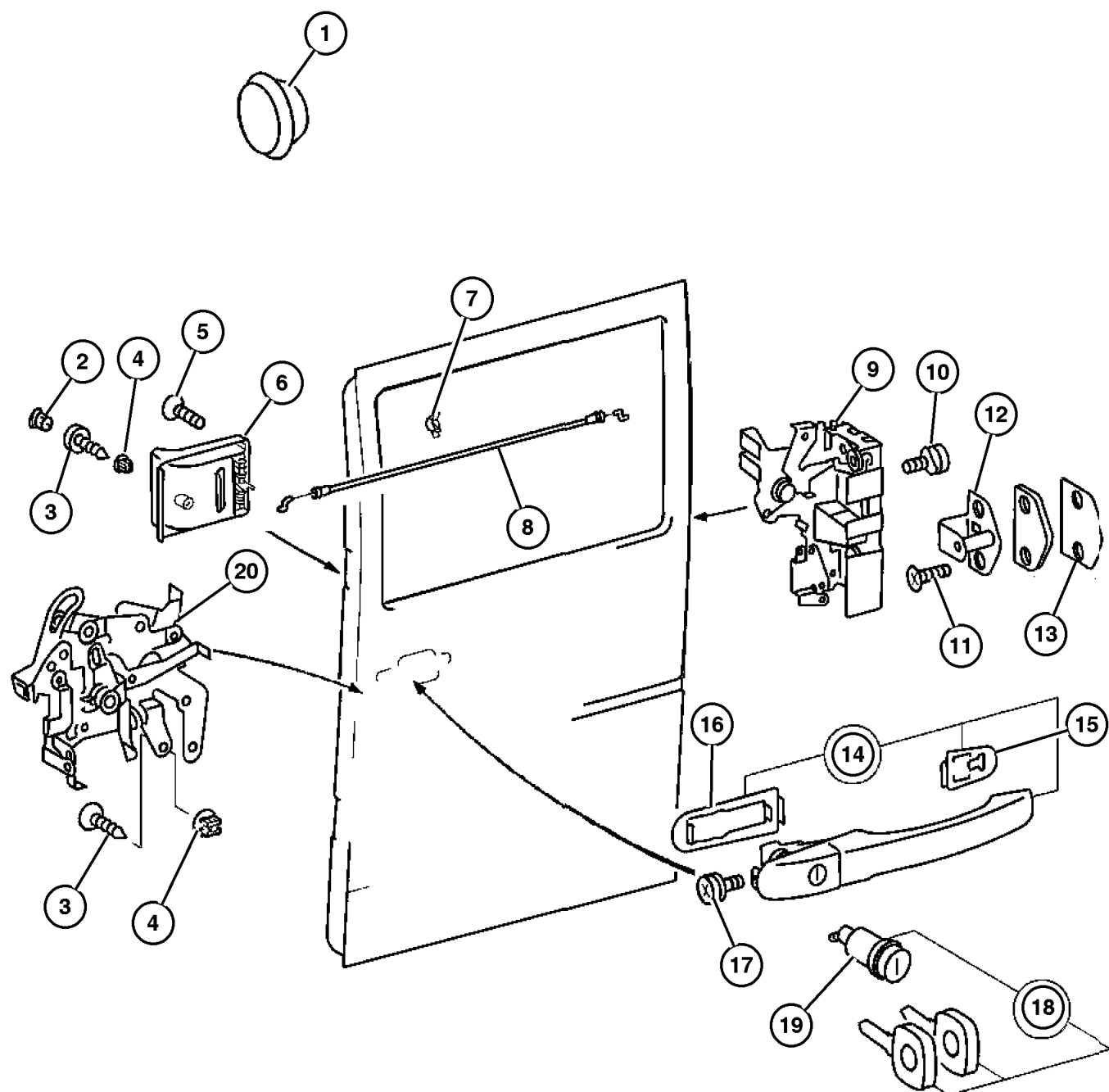
ITEM	PART NUMBER	QTY	LINE	SERIES	BODY	ENGINE	TRANS	TRIM	DESCRIPTION
		4	2, 6	L	51, 52, 54, 55, 56				
		2	3, 7	L	12, 15, 16				
	5133 514AA	1	2, 6	L	01, 02, 06				
5		1	3, 7	L	02, 06				SLIDER, Body Hardware, Body Side
	5103 607AA	1	2, 6	L	11, 12, 14, 15, 16				
		1	3, 7	L	12, 15				
6		4	2, 6	L	01, 02, 06				SCREW
	5103 713AA	4	2, 6	L	11, 12, 14, 15, 16				
		4	2, 6	L	51, 52, 54, 55, 56				
		4	3, 7	L	02, 06				
		4	3, 7	L	12, 15, 16				
7		2	2, 6	L	11, 12, 14, 15, 16				STABILIZER, Sliding Door
	5104 429AA	2	2, 6	L	11, 12, 14, 15, 16				
		2	3, 7	L	12, 15, 16				
8		2	2, 6	L	11, 12, 14, 15, 16				BUMPER, Rubber [GKE]
	5104 427AA	2	2, 6	L	11, 12, 14, 15, 16				
		2	2, 6	L	51, 52, 54, 55, 56				[GKE]
		2	3, 7	L	12, 15, 16				[GKE]
9		1	2, 6	L	11, 12, 14, 15, 16				BUMPER, Rubber [GKE]
	5104 411AA	1	2, 6	L	11, 12, 14, 15, 16				

Refer to Model Legend Information Bookmark

AR = Use as required - = Non illustrated part # = New this model year

March 3, 2006

**Door, Sliding Cargo Lock and Controls**  
**Figure DVA-330**



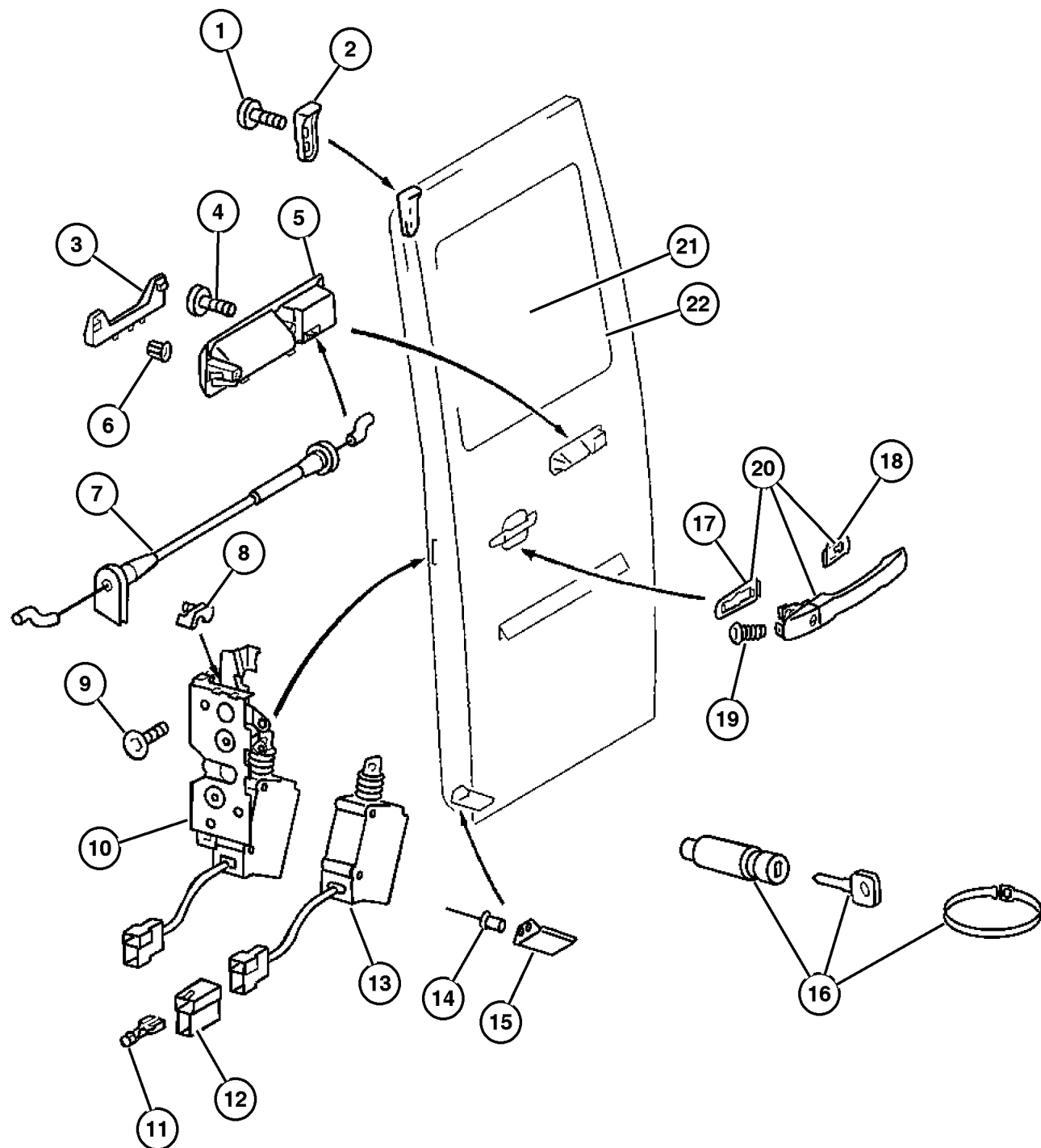
ITEM	PART NUMBER	QTY	LINE	SERIES	BODY	ENGINE	TRANS	TRIM	DESCRIPTION
	5132 049AA	1	2, 6	L	11, 12, 14, 15, 16				
		1	2, 6	L	51, 52, 54, 55, 56				CLAMP
7	5103 736AA	1	2, 6	L	11, 12, 14, 15, 16				
		1	2, 6	L	51, 52, 54, 55, 56				
		1	3, 7	L	12, 15, 16				
8	5103 587AA	1	2, 6	L	11, 12, 14, 15, 16				ROD, Inside Handle to Latch
		1	2, 6	L	51, 52, 54, 55, 56				
		1	3, 7	L	12, 15, 16				
9	5104 357AA	1	2, 6	L	11, 12, 14, 15, 16				LATCH, Cargo Door
		1	2, 6	L	51, 52, 54, 55, 56				
		1	3, 7	L	12, 15, 16				
10	5103 723AA	3	2, 6	L	01, 02, 06				SCREW
		3	2, 6	L	11, 12, 14, 15, 16				
		3	2, 6	L	51, 52, 54, 55, 56				
		3	3, 7	L	02, 06				
		3	3, 7	L	12, 15, 16				
11									SCREW

Refer to Model Legend Information Bookmark

AR = Use as required - = Non illustrated part # = New this model year

March 3, 2006

Door, Cargo Glass and Hardware  
Figure DVA-420



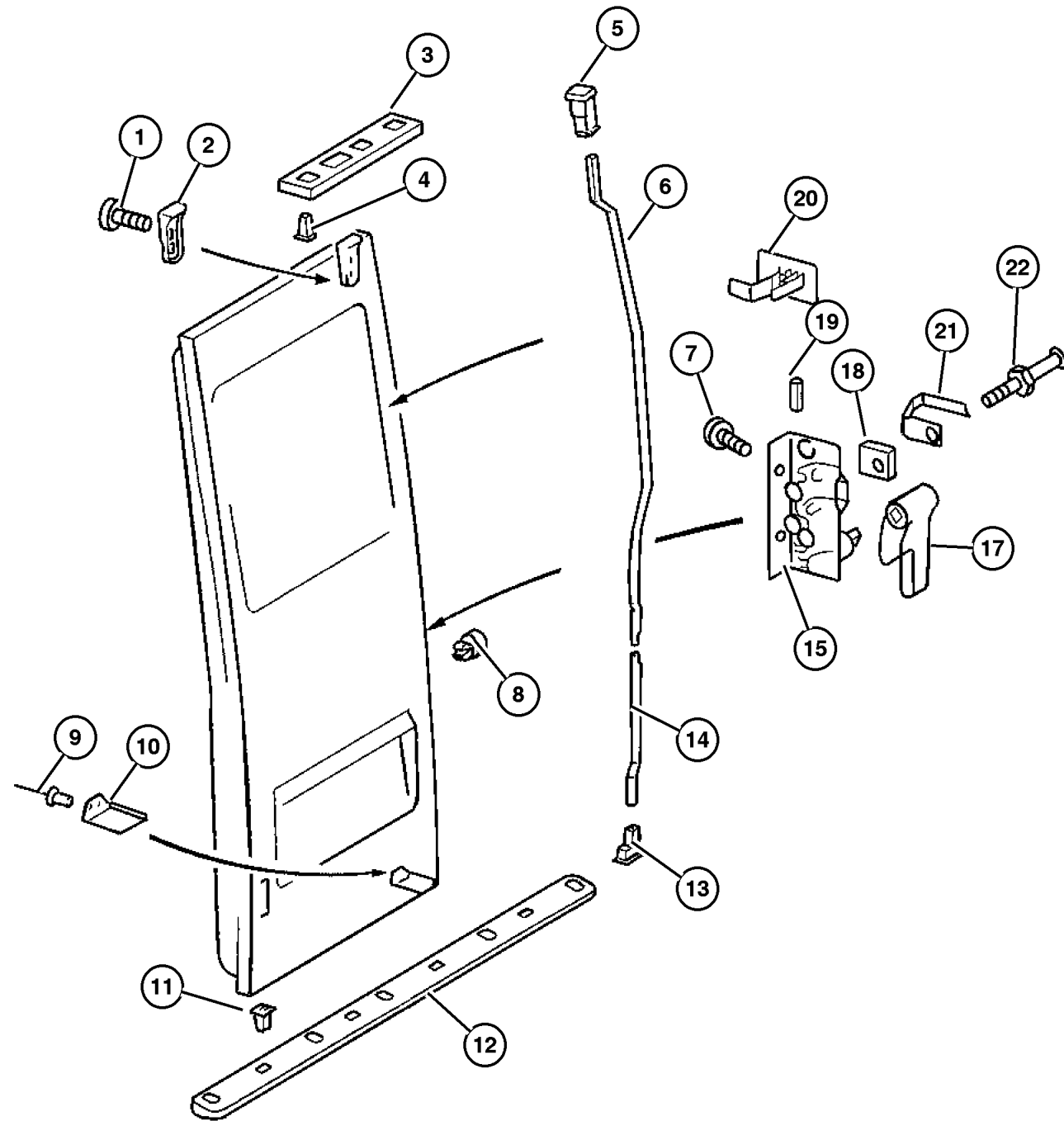
ITEM	PART NUMBER	QTY	LINE	SERIES	BODY	ENGINE	TRANS	TRIM	DESCRIPTION
1									SCREW
	6104 142AA	2	2, 6	L	01, 02, 06				
		2	2, 6	L	11, 12, 14, 15, 16				
		2	2, 6	L	51, 52, 54, 55, 56				
		2	3, 7	L	02, 06				
		2	3, 7	L	12, 15, 16				
2									SPACER, Door Lock Striker
	5123 997AA	1	2, 6	L	11, 12, 14, 15, 16				
		1	2, 6	L	51, 52, 54, 55, 56				
		1	3, 7	L	12, 15, 16				
3									COVER, Handle
	1AT60 BD1AA	1	2, 6	L	11, 12, 14, 15, 16				
		1	2, 6	L	51, 52, 54, 55, 56				
		1	3, 7	L	12, 15, 16				
4									SCREW
	6104 142AA	2	2, 6	L	01, 02, 06				
		2	2, 6	L	11, 12, 14, 15, 16				
		2	2, 6	L	51, 52, 54, 55, 56				
		2	3, 7	L	02, 06				
		2	3, 7	L	12, 15, 16				
5									HANDLE, Rear Door Interior

Refer to Model Legend Information Bookmark

AR = Use as required - = Non illustrated part # = New this model year

March 3, 2006

**Door, Cargo Lock and Control  
Figure DVA-430**



ITEM	PART NUMBER	QTY	LINE	SERIES	BODY	ENGINE	TRANS	TRIM	DESCRIPTION
	5104 383AA	1	2, 6	L	11, 12,				
					14, 15,				
		1	2, 6	L	51, 52,				
					54, 55,				
		1	3, 7	L	56				
					12, 15,				
18					16				NUT
	5103 668AA	1	2, 6	L	11, 12,				
					14, 15,				
		1	2, 6	L	51, 52,				
					54, 55,				
		1	3, 7	L	56				
					12, 15,				
19					16				BUSHING
	5133 930AA	1	2, 6	L	11, 12,				
					14, 15,				
		1	2, 6	L	51, 52,				
					54, 55,				
		1	3, 7	L	56				
					12, 15,				
20					16				GUIDE
	5104 382AA	1	2, 6	L	11, 12,				
					14, 15,				
		1	2, 6	L	51, 52,				
					54, 55,				
		1	3, 7	L	56				
					12, 15,				
21					16				CLAMP
	5103 670AA	1	2, 6	L	11, 12,				
					14, 15,				
		1	2, 6	L	51, 52,				
					54, 55,				
		1	3, 7	L	56				
					12, 15,				
22					16				PIN, Latch Striker

Refer to Model Legend Information Bookmark

AR = Use as required - = Non illustrated part # = New this model year

March 3, 2006

# Group – EVA

## Exterior Ornamentation

### GROUP EVA - Exterior Ornamentation

Illustration Title

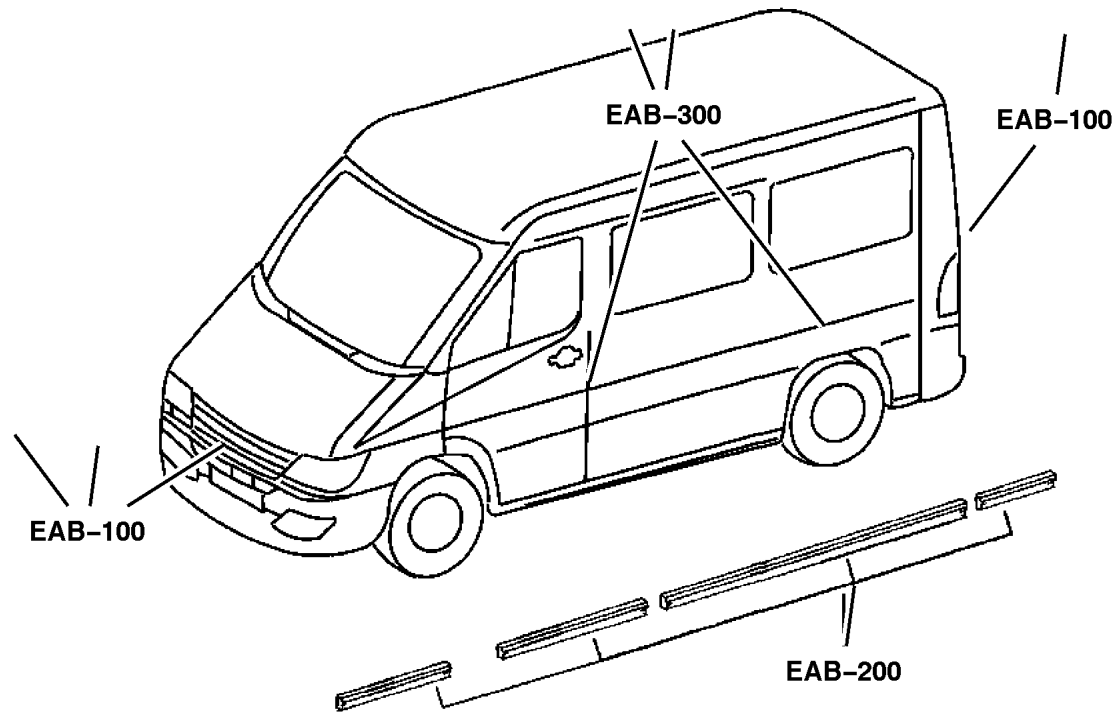
Group-Fig. No.

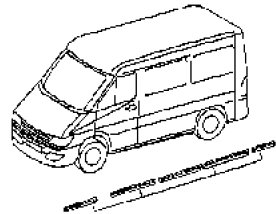
#### Nameplates

Nameplates and Decals ..... Fig. EVA-120

#### Moldings and Ornamentation

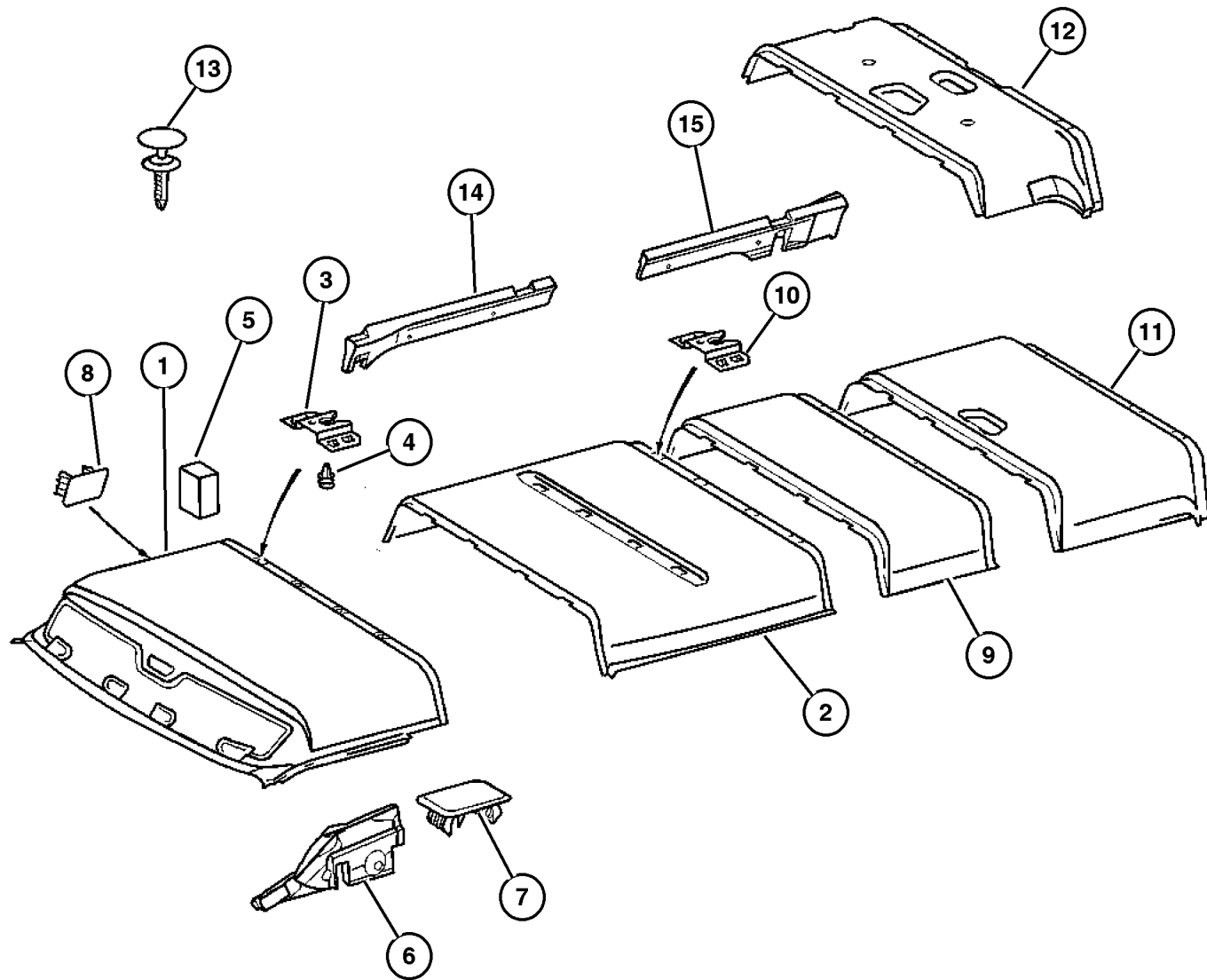
Exterior Moldings ..... Fig. EVA-210



<p><b>EVA-100</b> Nameplates</p> <p><i>3500 HC</i></p>	<p><b>EVA-200</b> Moldings and Ornamentation</p> 		
--	--	--	--

### Headliner, Low Roof Figure IVA-110

ITEM	PART NUMBER	QTY	LINE	SERIES	BODY	ENGINE	TRANS	TRIM	DESCRIPTION
	5123 514AA-	1	2, 6	L	14, 15,				
		1	3, 7	L	16				
-19	5123 516AA-	1	2, 6	L	14, 15,				SPACER, Foam Headliner
		1	3, 7	L	16				

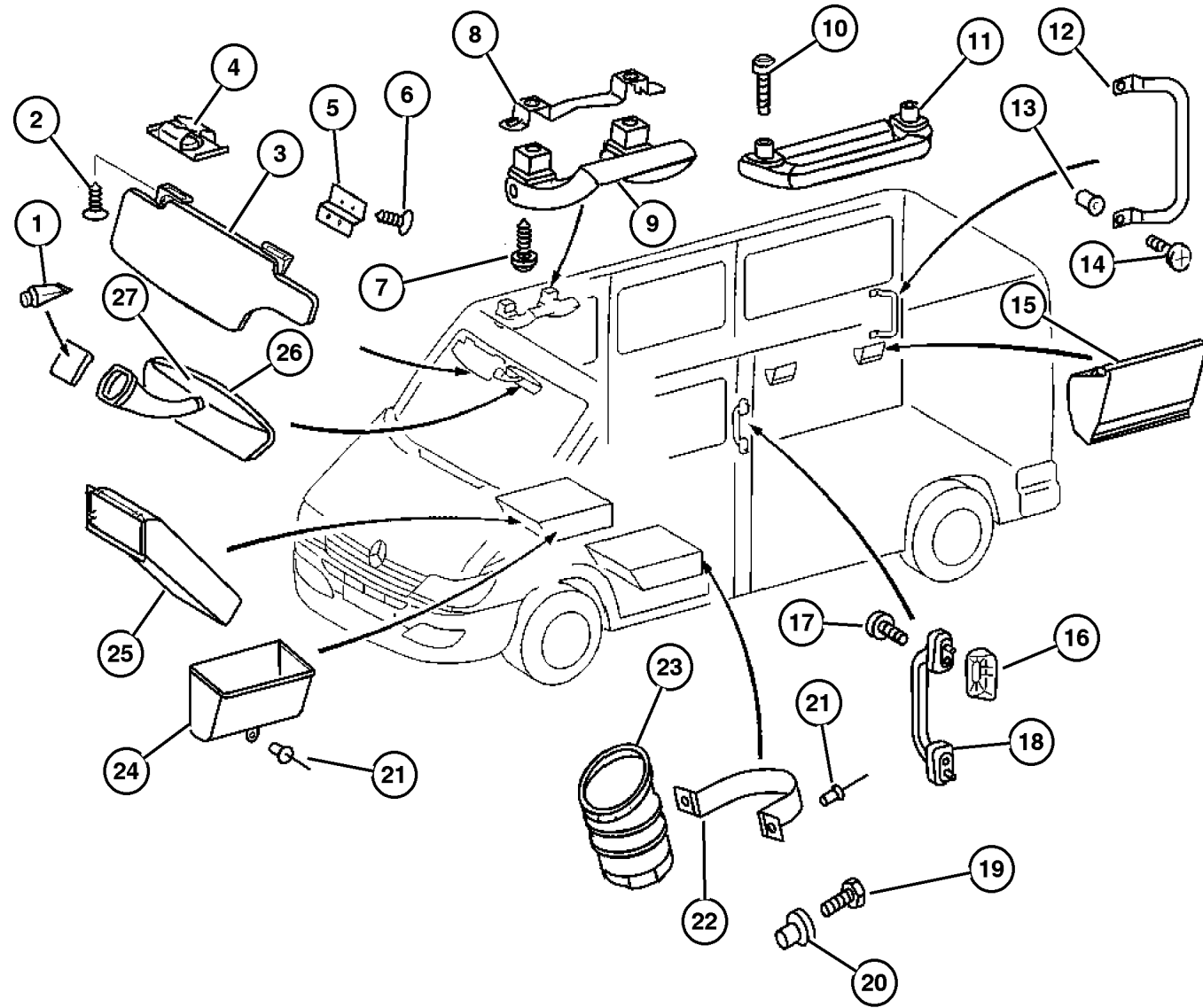


Refer to Model Legend Information Bookmark

AR = Use as required - = Non illustrated part # = New this model year

March 3, 2006

**Sunvisors, Grabhandles, Shelf and Attaching Parts**  
**Figure IVA-120**



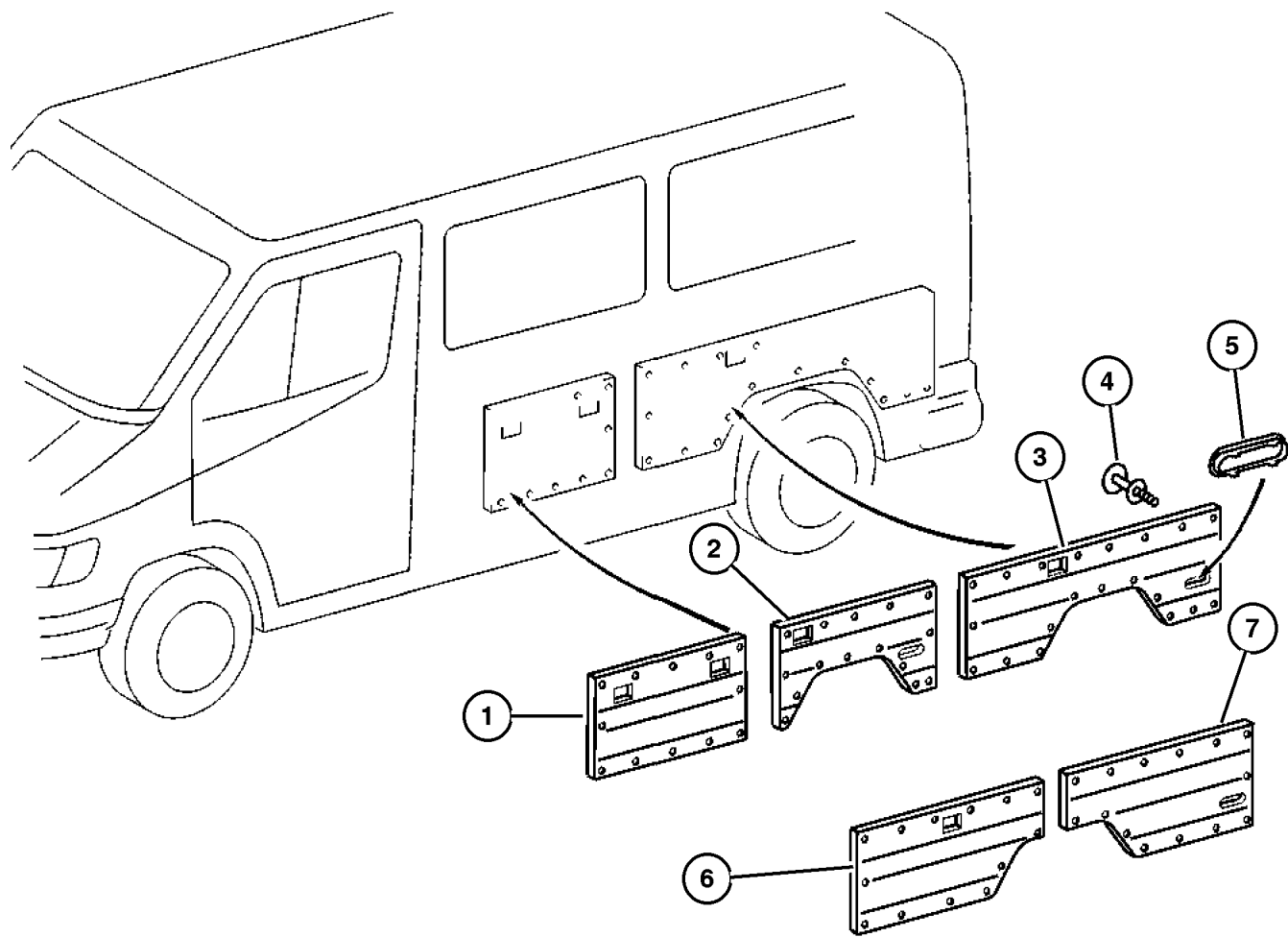
ITEM	PART NUMBER	QTY	LINE	SERIES	BODY	ENGINE	TRANS	TRIM	DESCRIPTION
26									MIRROR, Inside Rear View
	5104 435AA	1	2, 6	L	01, 02, 06				
		1	2, 6	L	11, 12, 14, 15, 16				
		1	2, 6	L	51, 52, 54, 55, 56				
		1	3, 7	L	02, 06				
		1	3, 7	L	12, 15, 16				
27									BUTTON, Rear View Mirror
	5104 241AA	1	2, 6	L	11, 12, 14, 15, 16				
		1	2, 6	L	51, 52, 54, 55, 56				
		1	3, 7	L	02, 06				
		1	3, 7	L	12, 15, 16				

Refer to Model Legend Information Bookmark

AR = Use as required - = Non illustrated part # = New this model year

March 3, 2006

Inner Panels  
Figure IVA-225



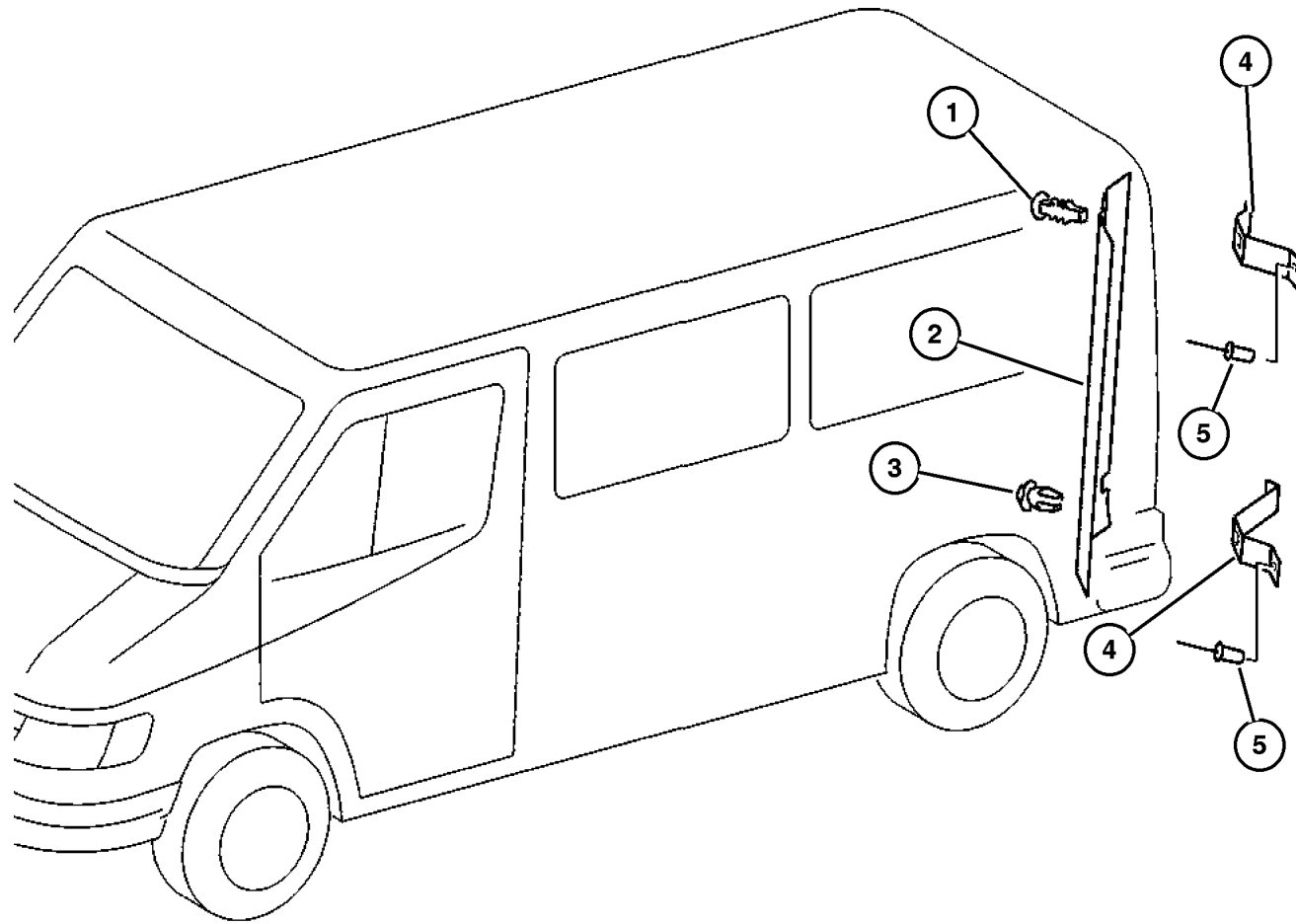
ITEM	PART NUMBER	QTY	LINE	SERIES	BODY	ENGINE	TRANS	TRIM	DESCRIPTION
1									PANEL, Cargo compartment
	5123 228AA	1	2, 6	L	11, 12, 14, 15, 16				
		1	2, 6	L	51, 52, 54, 55, 56				
		1	3, 7	L	12, 15, 16				
2									PANEL, Cargo compartment
	5123 231AA	1	2, 6	L	11, 14				Left
		1	2, 6	L	51, 54				Left
	5123 233AA	1	2, 6	L	11, 14				Right
		1	2, 6	L	51, 54				Right
3									PANEL, Cargo compartment
	5123 234AA	1	2, 6	L	12, 15				140 Inch Wheelbase, Left
		1	2, 6	L	52, 55				140 Inch Wheelbase, Left
		1	3, 7	L	12, 15				140 Inch Wheelbase, Left
	5123 236AA	1	2, 6	L	12, 15				140 Inch Wheelbase, Right
		1	2, 6	L	52, 55				140 Inch Wheelbase, Right
		1	3, 7	L	12, 15				Right
4									PIN, Push
	5103 553AA	9	2, 6	L	11, 12, 14, 15, 16				
		9	2, 6	L	51, 52, 54, 55, 56				
		9	3, 7	L	12, 15, 16				
5									EXHAUSTER, Quarter Panel
	1AS83 RC3AA	2	2, 6	L	11, 12, 14, 15, 16				
		2	2, 6	L	51, 52, 54, 55, 56				
		2	3, 7	L	12, 15, 16				
6									PANEL, Cargo compartment
	5123 238AA	1	2, 6	L	16				158 Inch Wheelbase, Left Front
		1	2, 6	L	56				158 Inch Wheelbase, Left Front
		1	3, 7	L	16				158 Inch Wheelbase, Left Front
	5123 240AA	1	2, 6	L	16				158 Inch Wheelbase, Right Front
		1	2, 6	L	56				158 Inch Wheelbase, Right Front

Refer to Model Legend Information Bookmark

AR = Use as required - = Non illustrated part # = New this model year

March 3, 2006

Rear Pillar Inner Panel  
Figure IVA-245



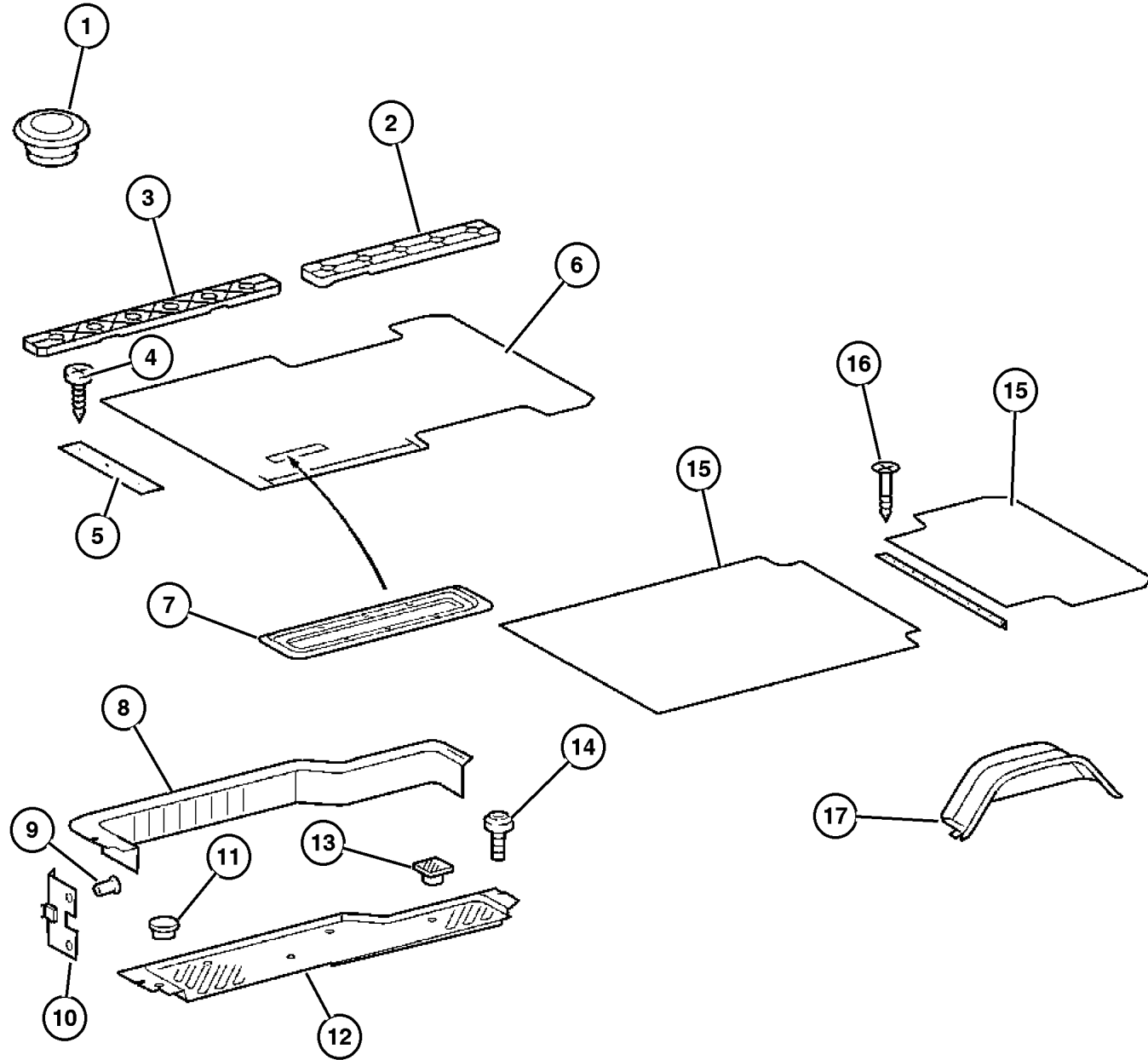
ITEM	PART NUMBER	QTY	LINE	SERIES	BODY	ENGINE	TRANS	TRIM	DESCRIPTION
		1	2, 6	L	51, 52, 54, 55, 56				With Load Rings Without Grab Handles, Left
		1	3, 7	L	12, 15, 16				With Load Rings Without Grab Handles, Left
	5123 326AA	1	2, 6	L	11, 12, 14, 15, 16				With Load Rings Without Grab Handles, Right
		1	2, 6	L	51, 52, 54, 55, 56				With Load Rings Without Grab Handles, Right
		1	3, 7	L	12, 15, 16				With Load Rings Without Grab Handles, Right
	5123 328AA	1	2, 6	L	11, 12, 14, 15, 16				With Grab Handles and Load Rings, Left
		1	2, 6	L	51, 52, 54, 55, 56				With Grab Handles and Load Rings, Left
		1	3, 7	L	12, 15, 16				With Grab Handles and Load Rings, Left
	5123 330AA	1	2, 6	L	11, 12, 14, 15, 16				With Grab Handles and Load Rings, Right
		1	2, 6	L	51, 52, 54, 55, 56				With Grab Handles and Load Rings, Right
		1	3, 7	L	12, 15, 16				With Grab Handles and Load Rings, Right
3	5103 785AA	3	2, 6	L	11, 12, 14, 15, 16				PIN, Push
		3	2, 6	L	51, 52, 54, 55, 56				
		3	3, 7	L	12, 15, 16				
4	5104 280AA	2	2, 6	L	11, 12, 14, 15, 16				BRACKET, Trim Panel D-Pillar, Left
		2	2, 6	L	51, 52, 54, 55, 56				D-Pillar, Left

Refer to Model Legend Information Bookmark

AR = Use as required - = Non illustrated part # = New this model year

March 3, 2006

Carpet - Floor  
Figure IVA-310



ITEM	PART NUMBER	QTY	LINE	SERIES	BODY	ENGINE	TRANS	TRIM	DESCRIPTION
		1	2, 6	L	51, 52, 54, 55, 56				
		1	3, 7	L	12, 15, 16				
9	5134 061AA	8	2, 6	L	11, 12, 14, 15, 16				RIVET
		8	2, 6	L	51, 52, 54, 55, 56				
		8	3, 7	L	12, 15, 16				
10	5125 584AA	8	2, 6	L	11, 12, 14, 15, 16				CLIP, Floor Trim
		4	2, 6	L	51, 52, 54, 55, 56				
		4	3, 7	L	12, 15, 16				
11	5122 808AA	1	2, 6	L	11, 12, 14, 15, 16				PLUG
		1	2, 6	L	51, 52, 54, 55, 56				
		1	3, 7	L	12, 15, 16				
12	5122 815AA	1	2, 6	L	11, 12, 14, 15, 16				PAD, Side Cargo Door Sill Entrance, Sliding Door,Left
		1	2, 6	L	51, 52, 54, 55, 56				Entrance, Sliding Door,Left
		1	3, 7	L	12, 15, 16				Entrance, Sliding Door,Left
	5122 816AA	1	2, 6	L	11, 12, 14, 15, 16				Entrance, Sliding Door,Right

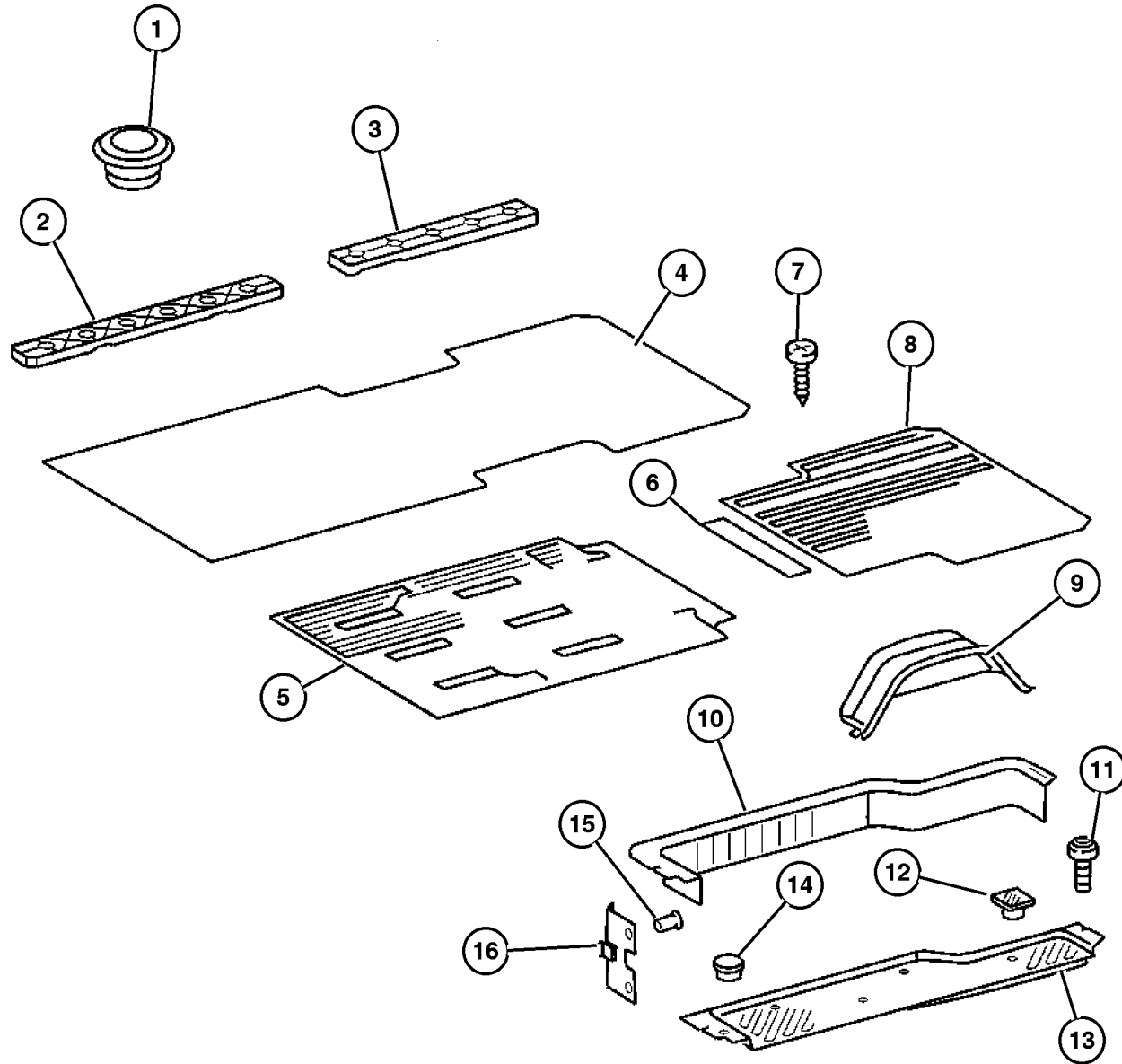
Refer to Model Legend Information Bookmark

AR = Use as required - = Non illustrated part # = New this model year

March 3, 2006

Floor - Rubber  
Figure IVA-320

ITEM	PART NUMBER	QTY	LINE	SERIES	BODY	ENGINE	TRANS	TRIM	DESCRIPTION
		2	2, 6	L	11, 12, 14, 15, 16				
		2	2, 6	L	51, 52, 54, 55, 56				
		2	3, 7	L	02, 06				
		2	3, 7	L	12, 15, 16				
12	5122 811AA	4	2, 6	L	11, 12, 14, 15, 16				PLUG
		4	2, 6	L	51, 52, 54, 55, 56				
		4	3, 7	L	12, 15, 16				
13	5122 815AA	1	2, 6	L	11, 12, 14, 15, 16				PAD, Side Cargo Door Sill Entrance Sliding Door, Left
		1	2, 6	L	51, 52, 54, 55, 56				Entrance Sliding Door, Left
		1	3, 7	L	12, 15, 16				Entrance Sliding Door, Left
	5122 816AA	1	2, 6	L	11, 12, 14, 15, 16				Entrance Sliding Door, Right
		1	2, 6	L	51, 52, 54, 55, 56				Entrance Sliding Door, Right
		1	3, 7	L	12, 15, 16				Entrance Sliding Door, Right
14	5122 808AA	1	2, 6	L	11, 12, 14, 15, 16				PLUG
		1	2, 6	L	51, 52, 54, 55, 56				
		1	3, 7	L	12, 15, 16				
15									RIVET

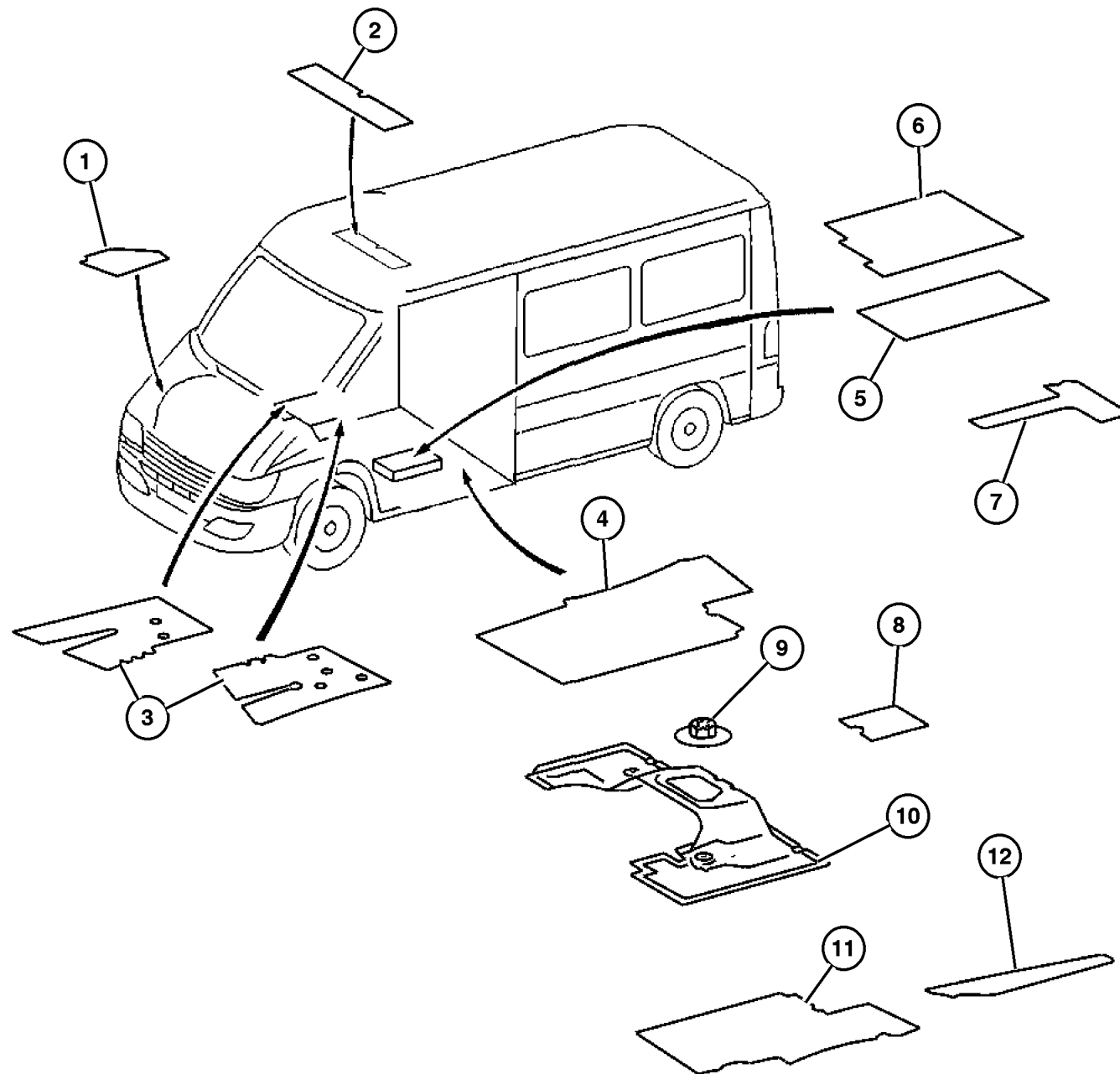


Refer to Model Legend Information Bookmark

AR = Use as required - = Non illustrated part # = New this model year

March 3, 2006

# Insulation Floor Figure IVA-350



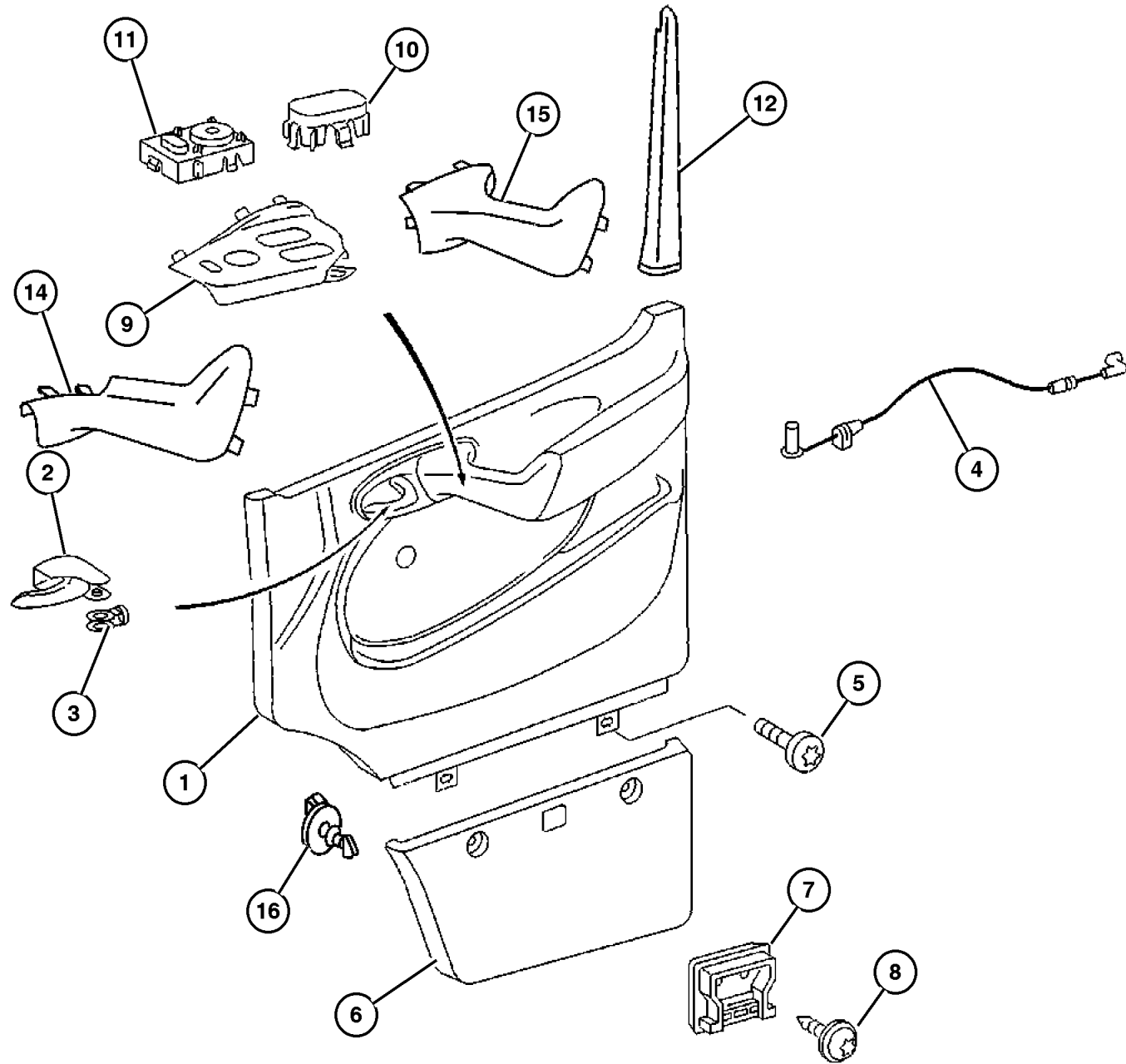
ITEM	PART NUMBER	QTY	LINE	SERIES	BODY	ENGINE	TRANS	TRIM	DESCRIPTION
		1	2, 6	L	51, 52, 54, 55, 56				
		1	3, 7	L	02, 06				
		1	3, 7	L	12, 15, 16				
5									INSULATION, NONE, SPRINTER, (NOT SERVICED) (Not Serviced)
6									INSULATION, Floor
	5122 535AA	1	2, 6	L	01, 02, 06				
		1	2, 6	L	11, 12, 14, 15, 16				
		1	2, 6	L	51, 52, 54, 55, 56				
		1	3, 7	L	02, 06				
		1	3, 7	L	12, 15, 16				
7									INSULATION, Floor
	5122 471AA	1	2, 6	L	01, 02, 06				
		1	2, 6	L	11, 12, 14, 15, 16				
		1	2, 6	L	51, 52, 54, 55, 56				
		1	3, 7	L	02, 06				
		1	3, 7	L	12, 15, 16				
8									INSULATION, Floor
	5122 473AA	2	2, 6	L	01, 02, 06				
		2	2, 6	L	11, 12, 14, 15, 16				
		2	2, 6	L	51, 52, 54, 55, 56				
		2	3, 7	L	02, 06				
		2	3, 7	L	12, 15, 16				
9									FASTENER, Buttonhead

Refer to Model Legend Information Bookmark

AR = Use as required - = Non illustrated part # = New this model year

March 3, 2006

Front Door Trim  
Figure IVA-410



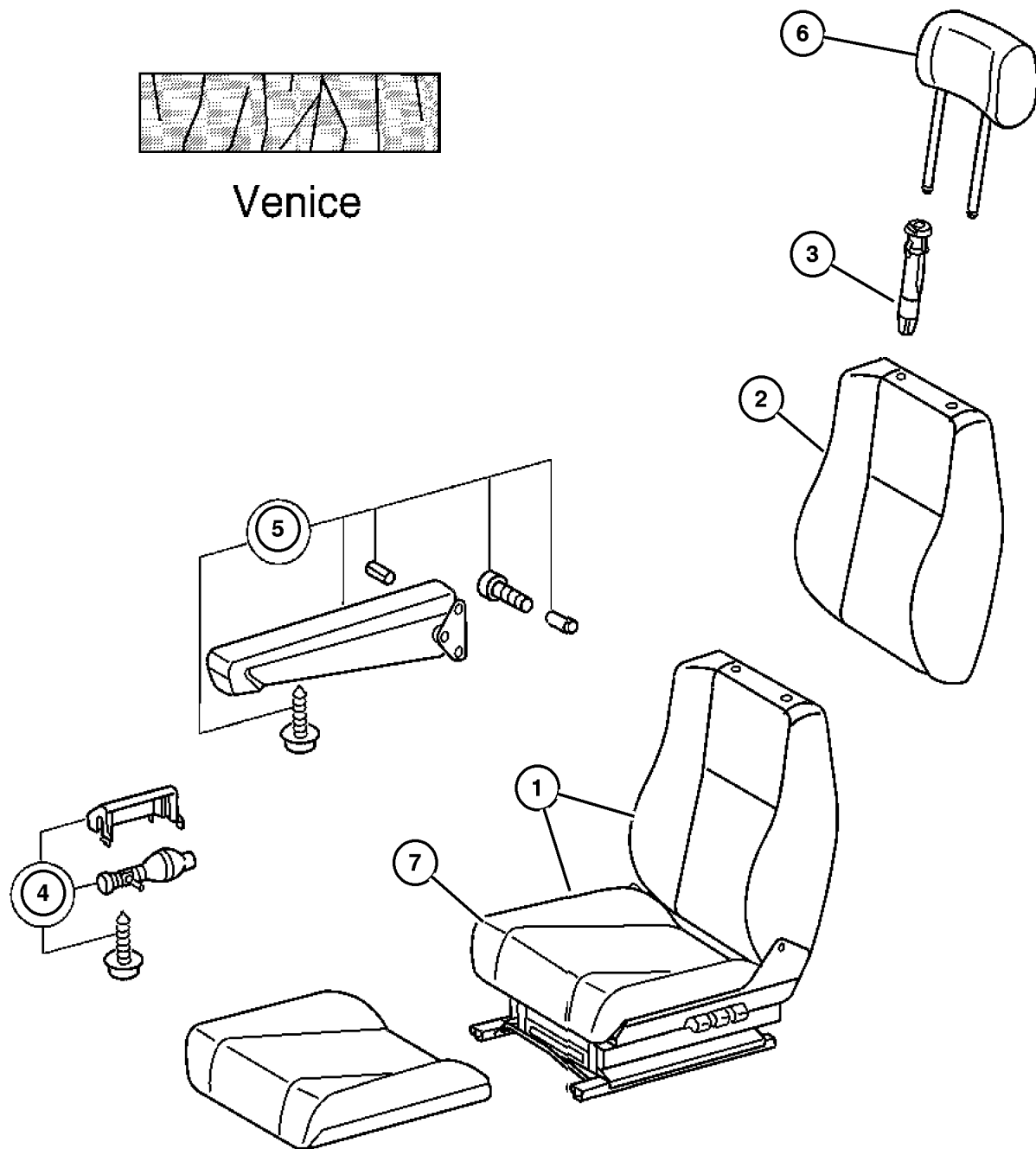
ITEM	PART NUMBER	QTY	LINE	SERIES	BODY	ENGINE	TRANS	TRIM	DESCRIPTION
		1	2, 6	L	11, 12,				Without [JPA] Power Mirrors, Right
		1	2, 6	L	14, 15,				Without [JPA] Power Mirrors, Right
					16				
		1	2, 6	L	51, 52,				Without [JPA] Power Mirrors, Right
					54, 55,				
					56				
		1	3, 7	L	02, 06				Without [JPA] Power Mirrors, Right
		1	3, 7	L	12, 15,				Without [JPA] Power Mirrors, Right
					16				
16	5133 517AA	2	2, 6	L	01, 02,				RETAINER, Trim Panel
					06				
		2	2, 6	L	11, 12,				
					14, 15,				
					16				
		2	2, 6	L	51, 52,				
					54, 55,				
					56				
		2	3, 7	L	02, 06				
		2	3, 7	L	12, 15,				
					16				

Refer to Model Legend Information Bookmark

AR = Use as required - = Non illustrated part # = New this model year

March 3, 2006

Front Seat - Venice  
Figure IVA-510



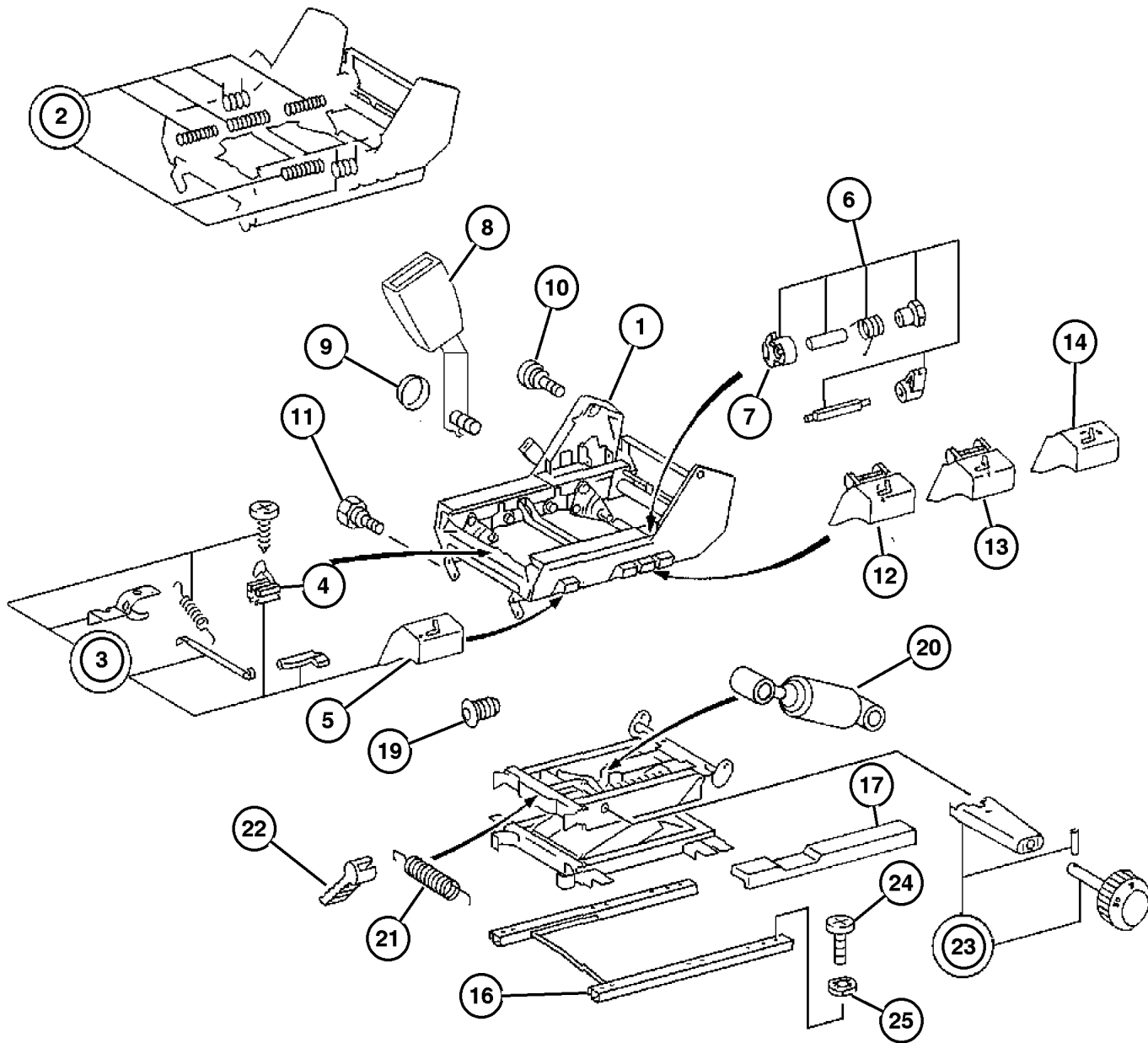
ITEM	PART NUMBER	QTY	LINE	SERIES	BODY	ENGINE	TRANS	TRIM	DESCRIPTION
		1	3, 7	L	12, 15, 16				Single Seat, Left
	5133 020AA	1	2, 6	L	11, 12, 14, 15, 16				Standard Seat Heated, Left
		1	2, 6	L	51, 52, 54, 55, 56				Standard Seat Heated, Left
		1	3, 7	L	12, 15, 16				Standard Seat Heated, Left
	5133 025AA	1	2, 6	L	11, 12, 14, 15, 16				Comfort Seat, Left
		1	2, 6	L	51, 52, 54, 55, 56				Comfort Seat, Left
		1	3, 7	L	12, 15, 16				Comfort Seat, Left
	5133 028AA	1	2, 6	L	11, 12, 14, 15, 16				Comfort Seat-Heated, Left
		1	2, 6	L	51, 52, 54, 55, 56				Comfort Seat-Heated, Left
		1	3, 7	L	12, 15, 16				Comfort Seat-Heated, Left
	5133 029AA	1	2, 6	L	11, 12, 14, 15, 16				Comfort Seat, Right
		1	2, 6	L	51, 52, 54, 55, 56				Comfort Seat, Right
		1	3, 7	L	12, 15, 16				Comfort Seat, Right
	5133 032AA	1	2, 6	L	11, 12, 14, 15, 16				Comfort Seat-Heated, Right
		1	2, 6	L	51, 52, 54, 55, 56				Comfort Seat-Heated, Right
		1	3, 7	L	12, 15, 16				Comfort Seat-Heated, Right

Refer to Model Legend Information Bookmark

AR = Use as required - = Non illustrated part # = New this model year

March 3, 2006

### Front Seat - Attaching Parts Figure IVA-525



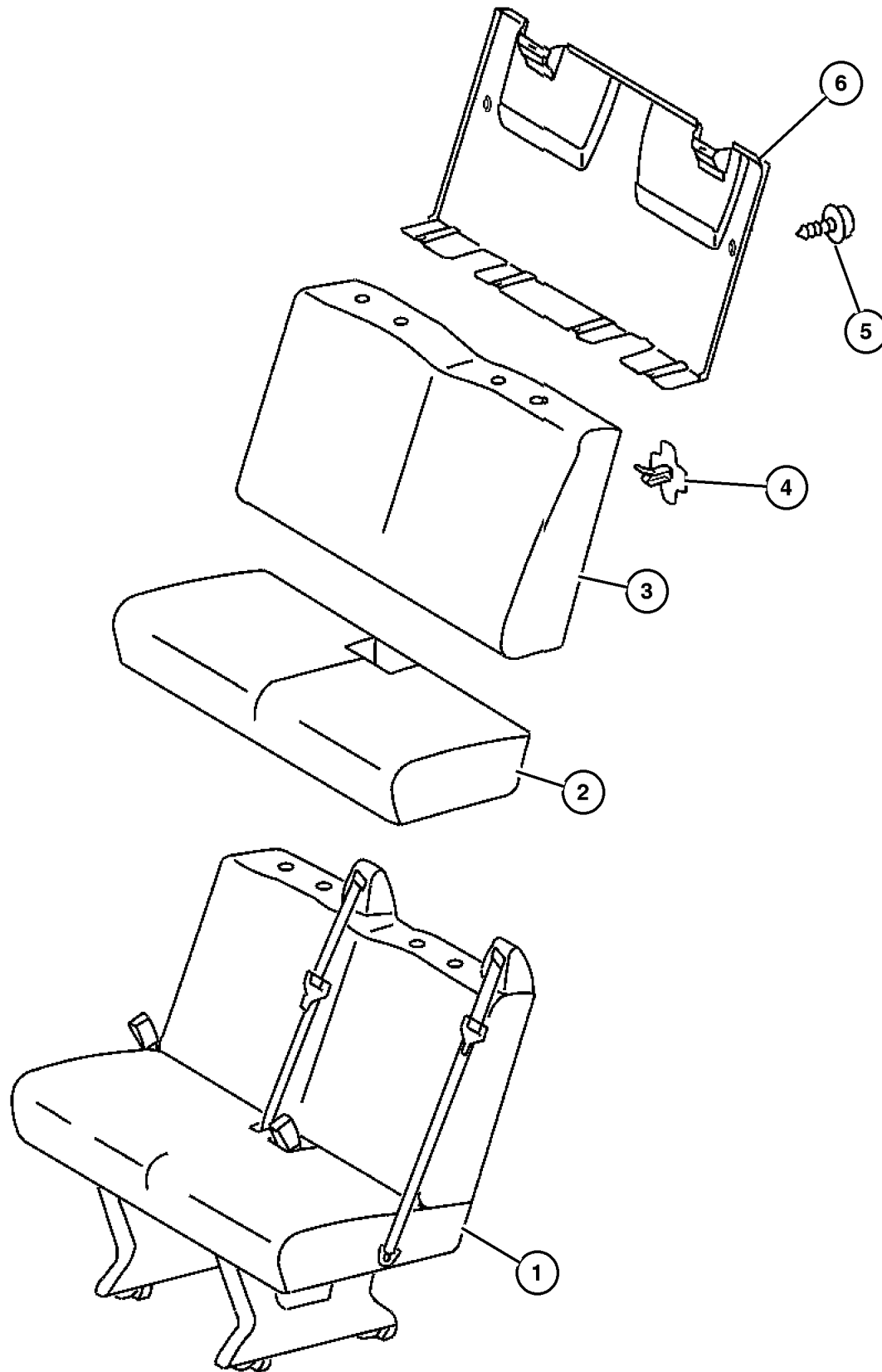
ITEM	PART NUMBER	QTY	LINE	SERIES	BODY	ENGINE	TRANS	TRIM	DESCRIPTION
		2	3, 7	L	12, 15, 16				
10	5133 219AA	2	2, 6	L	01, 02, 06				BOLT, Pivot
		2	2, 6	L	11, 12, 14, 15, 16				
		2	2, 6	L	51, 52, 54, 55, 56				
		2	3, 7	L	02, 06				
		2	3, 7	L	12, 15, 16				
11	5133 220AA	2	2, 6	L	01, 02, 06				BOLT, Seat
		2	2, 6	L	11, 12, 14, 15, 16				
		2	2, 6	L	51, 52, 54, 55, 56				
		2	3, 7	L	02, 06				
		2	3, 7	L	12, 15, 16				
12	ZN45 TE4AA	1	2, 6	L	01, 02, 06			B7	HANDLE, Seat Adjuster Raises Front of Cushion, Driver Side
		1	2, 6	L	11, 12, 14, 15, 16			B7	Raises Front of Cushion, Driver Side
		1	2, 6	L	51, 52, 54, 55, 56			B7	Raises Front of Cushion, Driver Side
		1	3, 7	L	02, 06			B7	Raises Front of Cushion, Driver Side
		1	3, 7	L	12, 15, 16			B7	Raises Front of Cushion, Driver Side
	ZN49 TE4AA	1	2, 6	L	01, 02, 06			B7	Raises Front of Cushion, Passenger
		1	2, 6	L	11, 12, 14, 15, 16			B7	Raises Front of Cushion, Passenger
		1	3, 7	L	02, 06			B7	Raises Front of Cushion, Passenger

Refer to Model Legend Information Bookmark

AR = Use as required - = Non illustrated part # = New this model year

March 3, 2006

Rear Seat - 2 Passenger  
Figure IVA-610



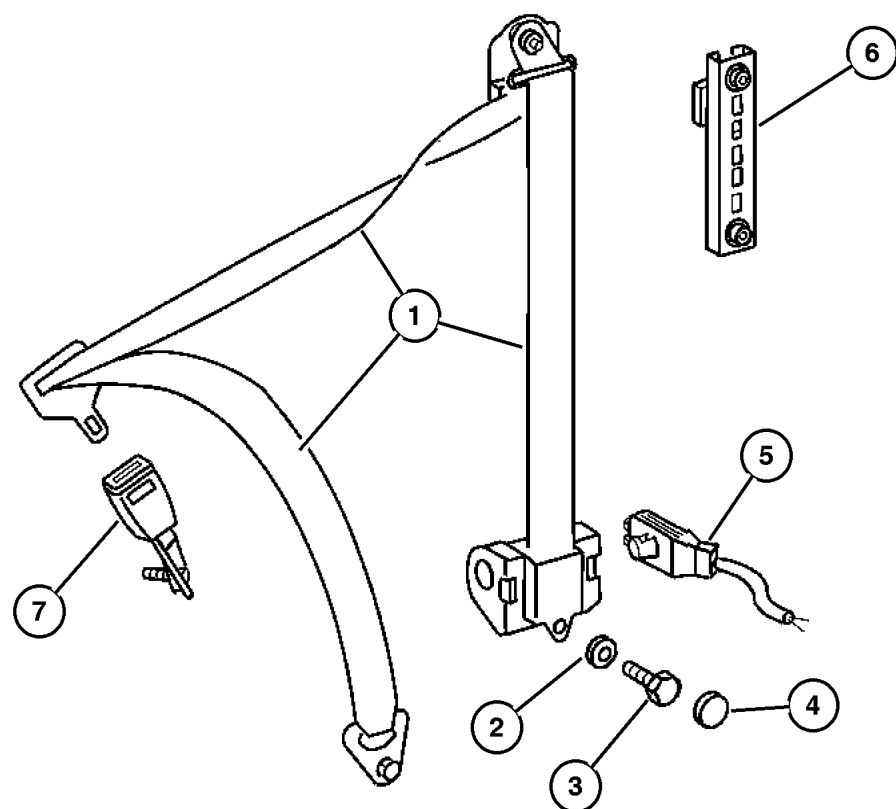
ITEM	PART NUMBER	QTY	LINE	SERIES	BODY	ENGINE	TRANS	TRIM	DESCRIPTION
	5103 706AA	1	2, 6	L	11, 12, 14, 15, 16				Right
		1	2, 6	L	51, 52, 54, 55, 56				Right
		1	3, 7	L	12, 15, 16				Right
	5103 707AA	1	2, 6	L	11, 12, 14, 15, 16				Left
		1	2, 6	L	51, 52, 54, 55, 56				Left
		1	3, 7	L	12, 15, 16				Left
5									PANEL, Rear Seat Back
	5134 089AA	1	2, 6	L	11, 12, 14, 15, 16				Two Passenger
		1	2, 6	L	51, 52, 54, 55, 56				Two Passenger
		1	3, 7	L	12, 15, 16				Two Passenger
6									SCREW, Self-Tapping
	5133 295AA	2	2, 6	L	11, 12, 14, 15, 16				
		2	2, 6	L	51, 52, 54, 55, 56				
		2	3, 7	L	12, 15, 16				

Refer to Model Legend Information Bookmark

AR = Use as required - = Non illustrated part # = New this model year

March 3, 2006

### Seat Belt - Front Figure IVA-710



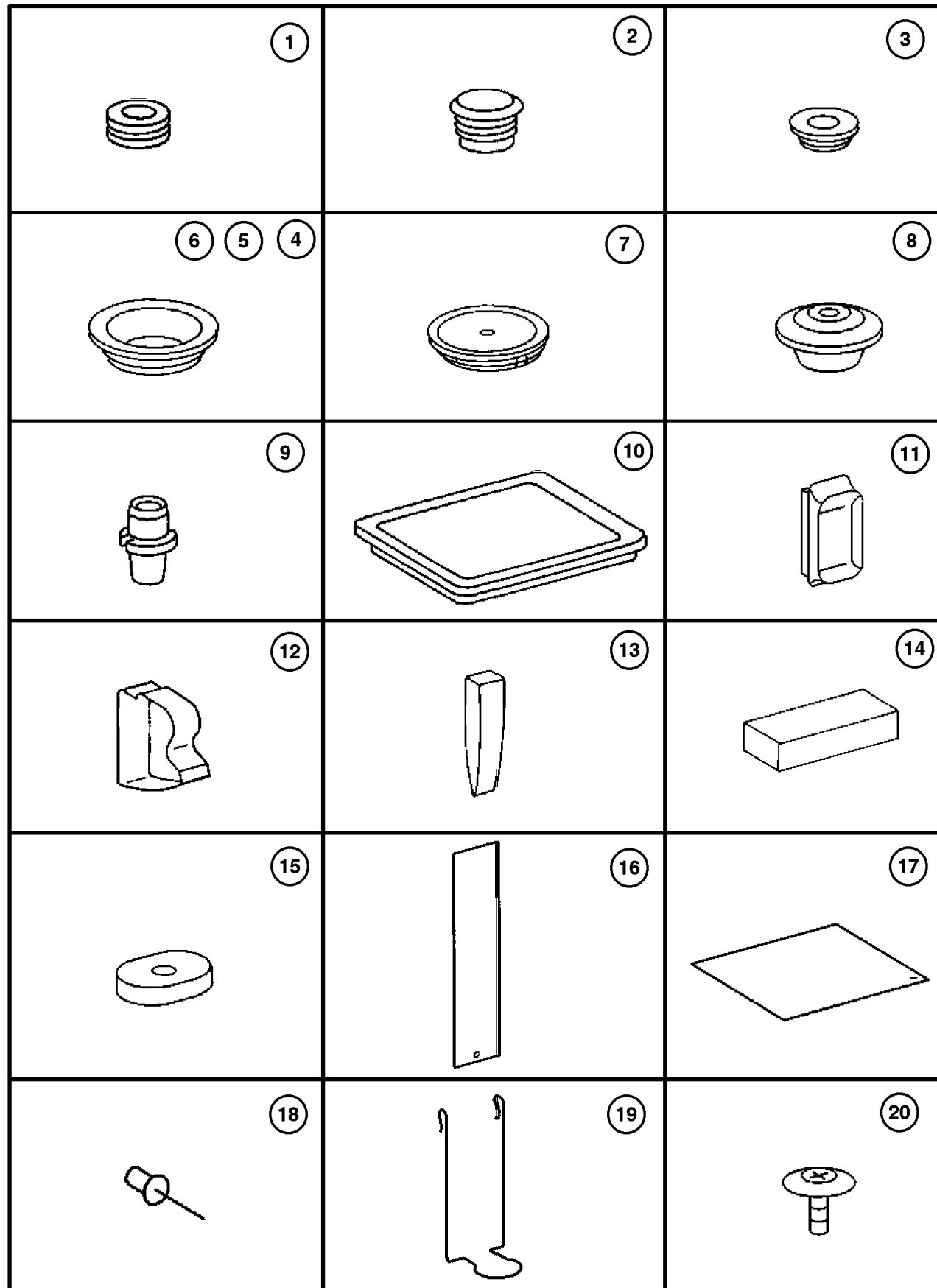
ITEM	PART NUMBER	QTY	LINE	SERIES	BODY	ENGINE	TRANS	TRIM	DESCRIPTION
		1	2, 6	L	51, 52, 54, 55, 56				
7	5103 810AA	1	2, 6	L	01, 02, 06				SEAT BELT, Buckle Half Passenger Side
		1	2, 6	L	11, 12, 14, 15, 16				Passenger Side
		1	2, 6	L	51, 52, 54, 55, 56				Passenger Side
		1	3, 7	L	02, 06				Passenger Side
		1	3, 7	L	12, 15, 16				Passenger Side
	5103 811AA	1	2, 6	L	11, 12, 14, 15, 16				Driver Side
		1	2, 6	L	51, 52, 54, 55, 56				Driver Side
		1	3, 7	L	12, 15, 16				Driver Side
	5124 982AA	1	2, 6	L	11, 12, 14, 15, 16				With Luxury Bucket, Passenger Side
		1	2, 6	L	51, 52, 54, 55, 56				With Luxury Bucket, Passenger Side
		1	3, 7	L	12, 15, 16				With Luxury Bucket, Passenger Side
-8	5103 834AA-	2	2, 6	L	51, 52, 54, 55, 56				SEAT BELT, Retractor
	5125 014AA-	2	2, 6	L	11, 12, 14, 15, 16				

Refer to Model Legend Information Bookmark

AR = Use as required - = Non illustrated part # = New this model year

March 3, 2006

Plugs  
Figure SVA-310



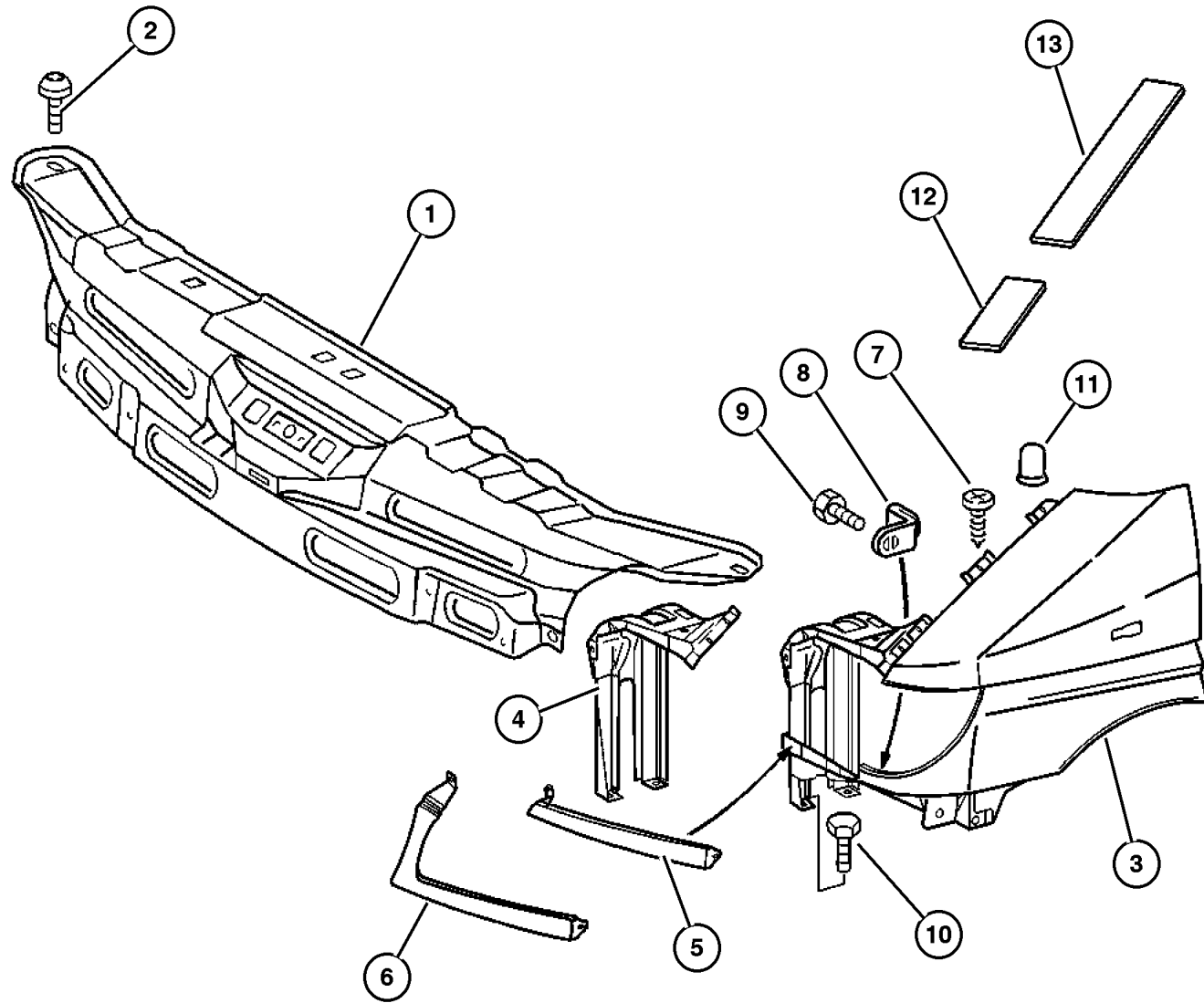
ITEM	PART NUMBER	QTY	LINE	SERIES	BODY	ENGINE	TRANS	TRIM	DESCRIPTION
1									PLUG, Expansion, Fire Wall, Engine Compartment
	5133 557AA	1	2, 6		01, 02, 06				
		1	2, 6		11, 12, 14, 15, 16				
		1	2, 6		51, 52, 54, 55, 56				
	5133 657AA	1	3, 7		12, 15, 16				
2									PLUG, Body, Water Drain, 22mm
	5125 994AA	2	2, 6		01, 02, 06				
		2	2, 6		11, 12, 14, 15, 16				
		2	2, 6		51, 52, 54, 55, 56				
		2	3, 7		02, 06				
		2	3, 7		12, 15, 16				
3									PLUG, Door Contact Switch
	5098 417AA	1	2, 6		11, 12, 14, 15, 16				
		2	2, 6		51, 52, 54, 55, 56				
		2	3, 7		12, 15, 16				
4									PLUG, W/S Washer Reservoir Hole
	5098 441AA	2	3, 7		12, 15, 16				
		2	2, 6		11, 12, 14, 15, 16				
5									GROMMET, Body
	5125 511AA	2	2, 6		11, 12, 14, 15, 16				
		2	3, 7		12, 15, 16				
6									PLUG, Body

Refer to Model Legend Information Bookmark

AR = Use as required - = Non illustrated part # = New this model year

March 3, 2006

Front Fender  
Figure SVA-410



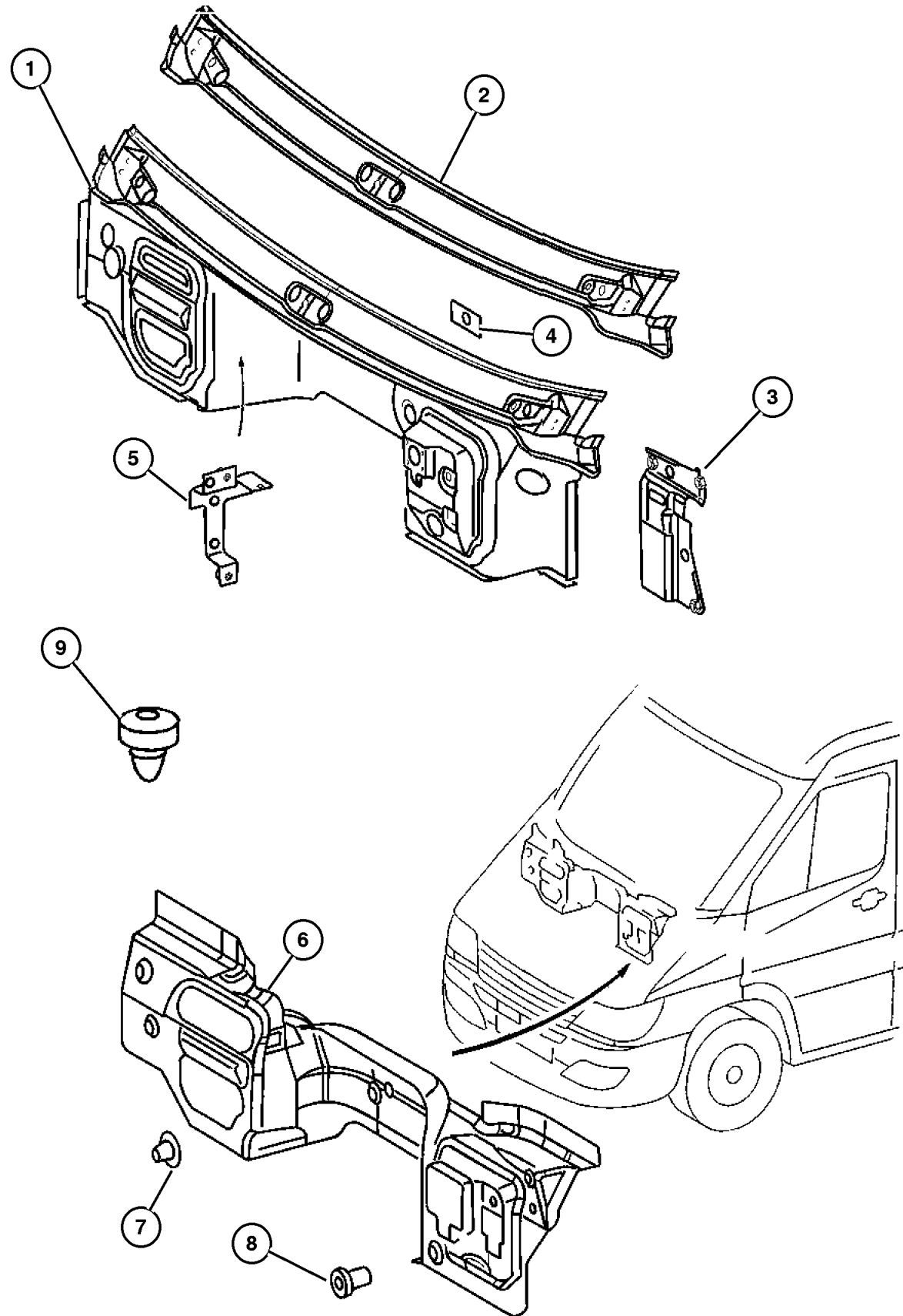
ITEM	PART NUMBER	QTY	LINE	SERIES	BODY	ENGINE	TRANS	TRIM	DESCRIPTION
		1	2, 6		11, 12,				
					14, 15,				
					16				
		1	2, 6		51, 52,				
					54, 55,				
					56				
		1	3, 7		02, 06				
		1	3, 7		12, 15,				
					16				
13									SEAL, Fender To Cowl
	5121 446AA	1	2, 6		01, 02,				
					06				
		1	2, 6		11, 12,				
					14, 15,				
					16				
		1	2, 6		51, 52,				
					54, 55,				
					56				
		1	3, 7		02, 06				
		1	3, 7		12, 15,				
					16				

Refer to Model Legend Information Bookmark

AR = Use as required - = Non illustrated part # = New this model year

March 3, 2006

Cowl and Dash  
Figure SVA-610



ITEM	PART NUMBER	QTY	LINE	SERIES	BODY	ENGINE	TRANS	TRIM	DESCRIPTION
1									PANEL, Dash Upper
	5121 578AA	1	2, 6		01, 02, 06				
		1	2, 6		11, 12, 14, 15, 16				
		1	2, 6		51, 52, 54, 55, 56				
		1	3, 7		02, 06				
		1	3, 7		12, 15, 16				
2									PANEL, Cowl Top
	5104 164AA	1	2, 6		01, 02, 06				
		1	2, 6		11, 12, 14, 15, 16				
		1	2, 6		51, 52, 54, 55, 56				
		1	3, 7		02, 06				
		1	3, 7		12, 15, 16				
3									BRACKET, Dash
	5121 583AA	1	2, 6		01, 02, 06				
		1	2, 6		11, 12, 14, 15, 16				
		1	2, 6		51, 52, 54, 55, 56				
		1	3, 7		02, 06				
		1	3, 7		12, 15, 16				
4									PLATE
	5121 447AA	1	2, 6		01, 02, 06				
		1	2, 6		11, 12, 14, 15, 16				
		1	2, 6		51, 52, 54, 55, 56				

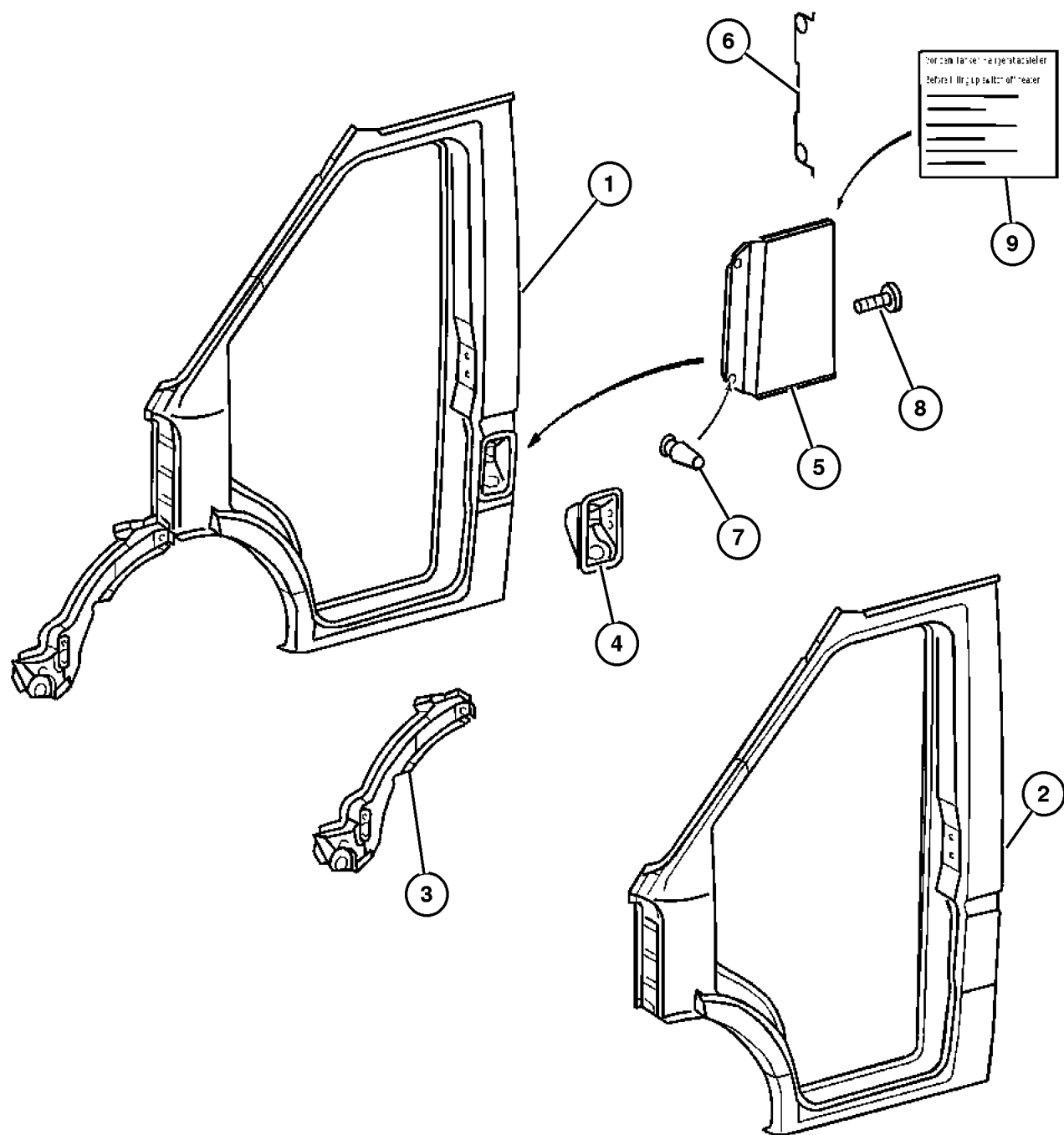
Refer to Model Legend Information Bookmark

AR = Use as required - = Non illustrated part # = New this model year

March 3, 2006



Front Aperture, Outer, Left  
Figure SVA-820



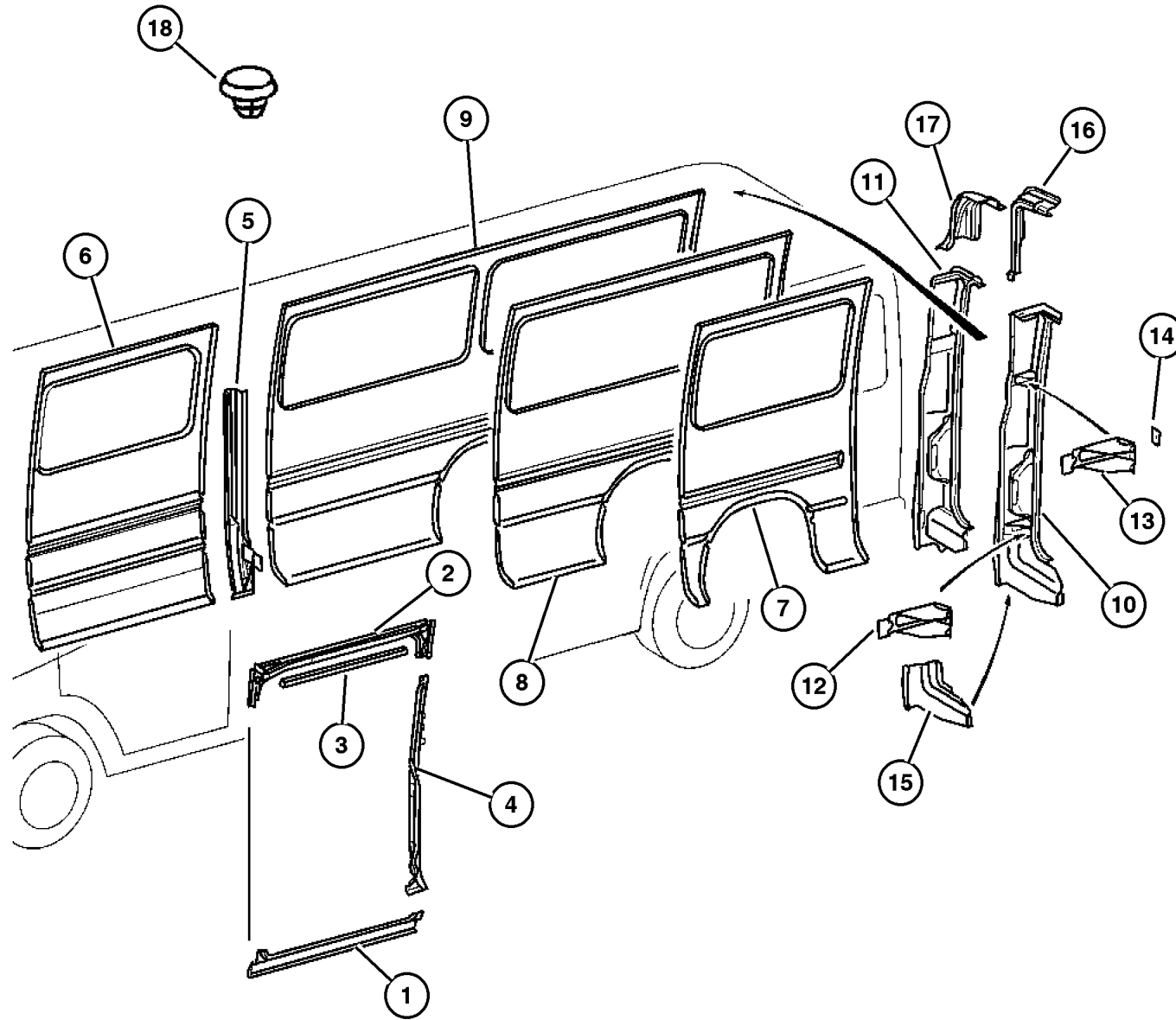
ITEM	PART NUMBER	QTY	LINE	SERIES	BODY	ENGINE	TRANS	TRIM	DESCRIPTION
		1	3, 7		12, 15, 16				
5	5104 399AA	1	2, 6		01, 02, 06				DOOR, Fuel Fill
		1	2, 6		11, 12, 14, 15, 16				
		1	2, 6		51, 52, 54, 55, 56				
6	5104 408AA	1	2, 6		01, 02, 06				SPRING, Fuel Filler Door
		1	2, 6		11, 12, 14, 15, 16				
		1	2, 6		51, 52, 54, 55, 56				
7	5103 917AA	2	2, 6		01, 02, 06				BUMPER, Fuel Door
		2	2, 6		11, 12, 14, 15, 16				
		2	2, 6		51, 52, 54, 55, 56				
8	5073 685AA	2	2, 6		01, 02, 06				SCREW
		2	2, 6		11, 12, 14, 15, 16				
		2	2, 6		51, 52, 54, 55, 56				
9	5104 152AA	1	2, 6		01, 02, 06				LABEL, Fuel
		1	2, 6		11, 12, 14, 15, 16				

Refer to Model Legend Information Bookmark

AR = Use as required - = Non illustrated part # = New this model year

March 3, 2006

Right Side Panels, Cargo  
Figure SVA-920



ITEM	PART NUMBER	QTY	LINE	SERIES	BODY	ENGINE	TRANS	TRIM	DESCRIPTION
1									PANEL, Sill
	5104 214AA	1	2, 6		11, 12, 14, 15, 16				
		1	2, 6		51, 52, 54, 55, 56				
		1	3, 7		12, 15, 16				
2									PANEL, Cargo Compartment, Upper
	5104 179AA	1	2, 6		11, 12, 14, 15, 16				
		1	2, 6		51, 52, 54, 55, 56				
		1	3, 7		12, 15, 16				
3									TRACK, Sliding Door
	5122 036AA	1	2, 6		11, 12, 14, 15, 16				
		1	2, 6		51, 52, 54, 55, 56				
		1	3, 7		12, 15, 16				
4									PILLAR, Side Cargo Door [140 & 158] Inch Wheelbase
	5104 166AA	1	2, 6		12, 15				[140 & 158] Inch Wheelbase
		1	2, 6		52, 55				[140 & 158] Inch Wheelbase
		1	3, 7		12, 15				[140 & 158] Inch Wheelbase
	5121 699AA	1	2, 6		11, 14				[118] Inch Wheelbase
		1	2, 6		51, 54				[118] Inch Wheelbase
5									PILLAR, Side Cargo Door [140 & 158] Inch Wheelbase
	5121 704AA	1	2, 6		12, 15				[140 & 158] Inch Wheelbase
		1	2, 6		52, 55				[140 & 158] Inch Wheelbase
		1	3, 7		12, 15				[140 & 158] Inch Wheelbase
	5131 053AA	1	2, 6		11, 14				[118] Inch wheelbase
		1	2, 6		51, 54				[118] Inch wheelbase
6									PANEL, Body Side Front
	5104 205AA	1	2, 6		11, 12, 14, 15, 16				

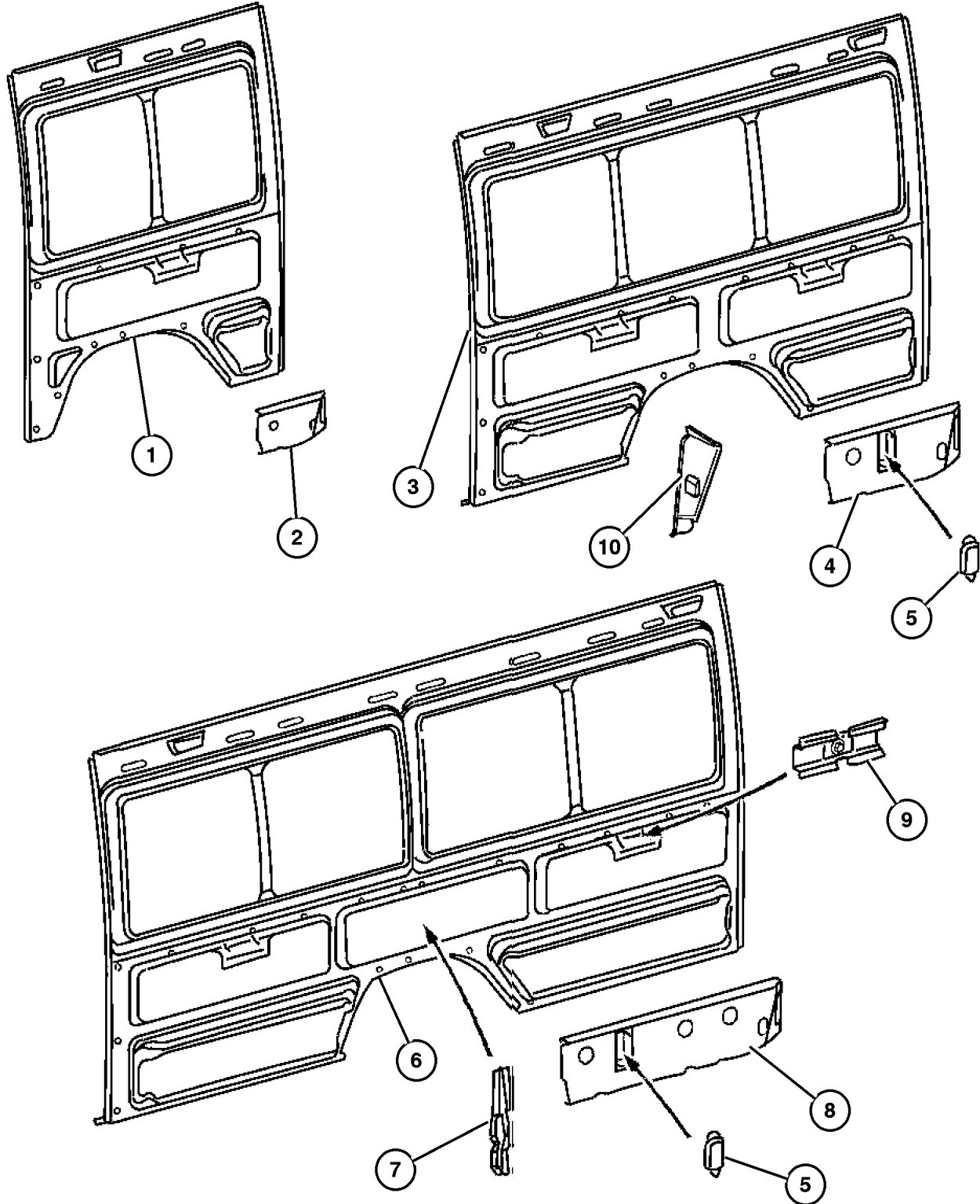
Refer to Model Legend Information Bookmark

AR = Use as required - = Non illustrated part # = New this model year

March 3, 2006

Left Side Panels, Cargo  
Figure SVA-950

ITEM	PART NUMBER	QTY	LINE	SERIES	BODY	ENGINE	TRANS	TRIM	DESCRIPTION
		1	3, 7		16				
9									REINFORCEMENT, Side Panel, With 158 Inch Wheelbase
	5131 057AA	2	2, 6		11, 12, 14, 15, 16				
		1	2, 6		51, 52, 54, 55, 56				
10									PANEL, Rear Side
	5129 937AA	2	2, 6		11, 12, 14, 15, 16				
		2	2, 6		51, 52, 54, 55, 56				

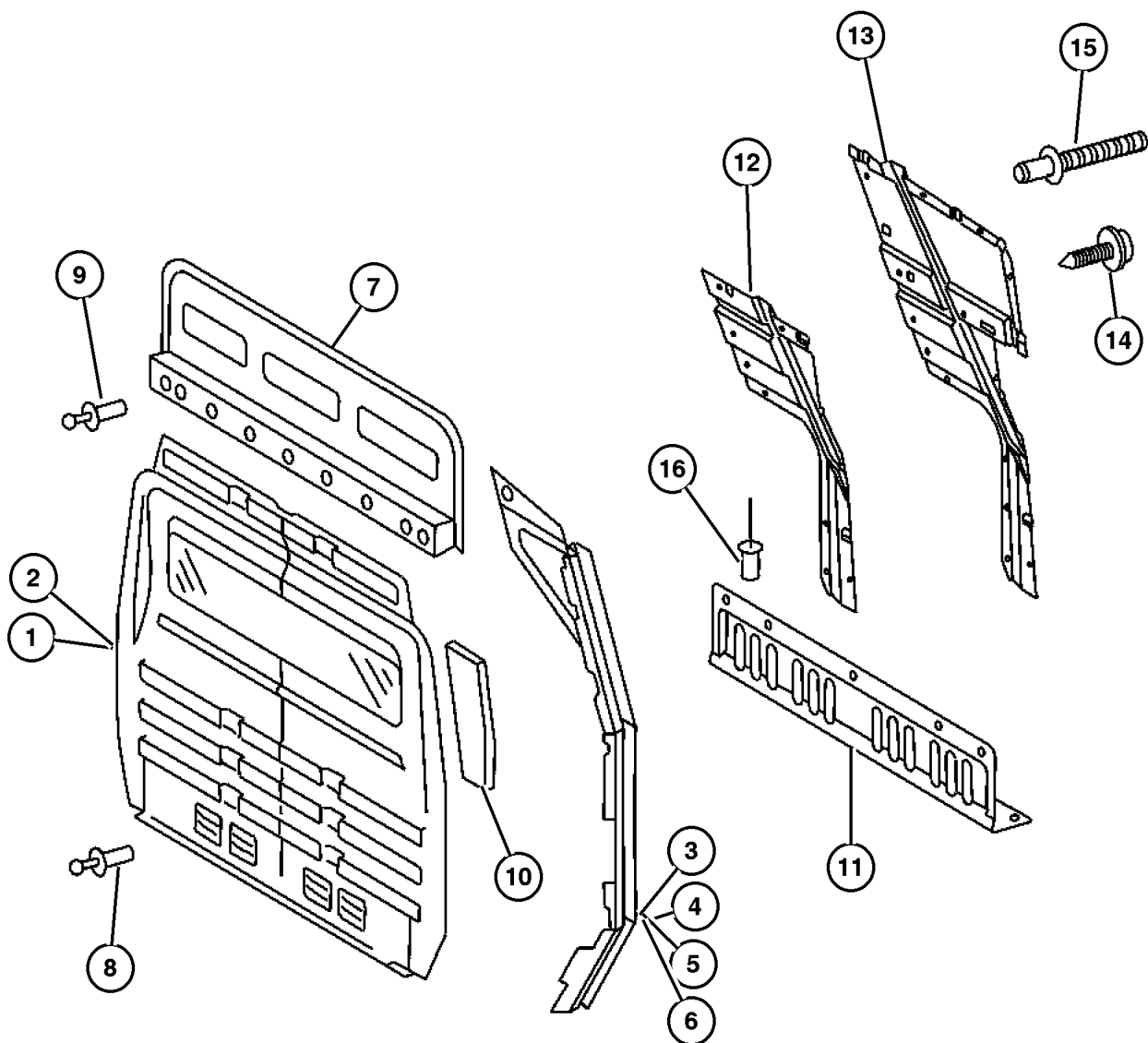


Refer to Model Legend Information Bookmark

AR = Use as required - = Non illustrated part # = New this model year

March 3, 2006

**Partition Wall & Load Protection Grill**  
**Figure SVA-990**



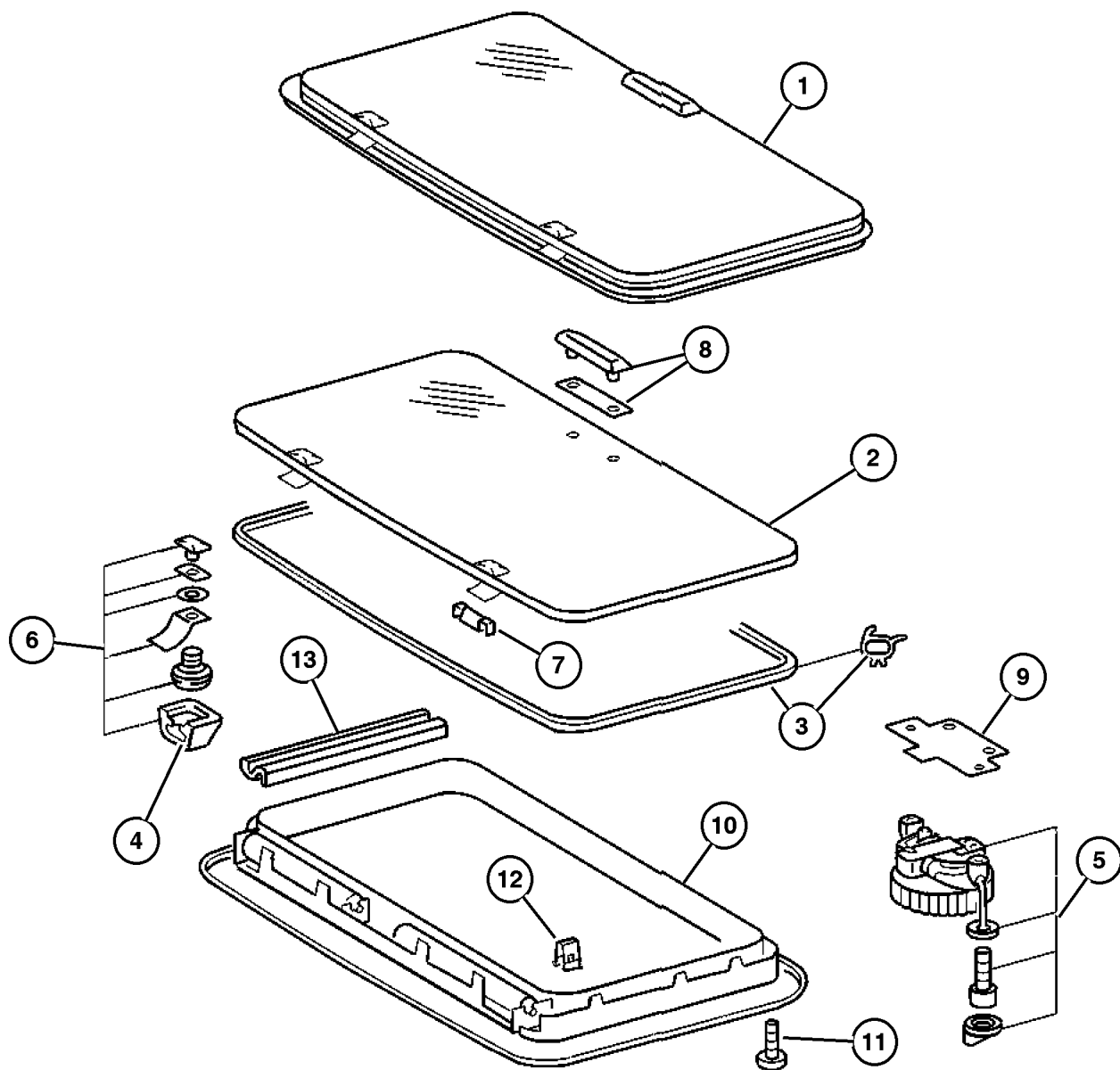
ITEM	PART NUMBER	QTY	LINE	SERIES	BODY	ENGINE	TRANS	TRIM	DESCRIPTION
1									PANEL, Cargo Compartment, Without Windows
	5104 304AA	1	2, 6		11, 12, 14, 15, 16				
		1	3, 7		12, 15, 16				
2									PANEL, Cargo Compartment, With Windows
	5104 307AA	1	2, 6		11, 12, 14, 15, 16				
		1	3, 7		12, 15, 16				
3									PANEL EXTENSION, Extension, W/O Slide Left
	5104 310AA	1	2, 6		11, 12, 14, 15, 16				
		1	3, 7		12, 15, 16				Left
4									PANEL EXTENSION, Extension, W/ Slide Left
	5104 311AA	1	2, 6		11, 12, 14, 15, 16				
		1	3, 7		12, 15, 16				Left
5									PANEL EXTENSION, Extension, W/O Slide Right
	5123 641AA	1	2, 6		11, 12, 14, 15, 16				
		1	3, 7		12, 15, 16				Right
6									PANEL EXTENSION, Extension, W/ Slide Right
	5104 312AA	1	2, 6		11, 12, 14, 15, 16				
		1	3, 7		12, 15, 16				Right
7									PANEL, Cargo Compartment, Upper
	5104 308AA	1	2, 6		14, 15, 16				

Refer to Model Legend Information Bookmark

AR = Use as required - = Non illustrated part # = New this model year

March 3, 2006

Manual Sunroof  
Figure SVA-1210



ITEM	PART NUMBER	QTY	LINE	SERIES	BODY	ENGINE	TRANS	TRIM	DESCRIPTION
1									SUNROOF, Complete
	5104 476AA	1	2, 6		01, 02, 06				
		1	2, 6		11, 12, 14, 15, 16				
		1	2, 6		51, 52, 54, 55, 56				
		1	3, 7		02, 06				
		1	3, 7		12, 15, 16				
2									GLASS, Sunroof
	5134 005AA	1	2, 6		01, 02, 06				
		1	2, 6		11, 12, 14, 15, 16				
		1	2, 6		51, 52, 54, 55, 56				
		1	3, 7		02, 06				
		1	3, 7		12, 15, 16				
3									SEAL, Sunroof
	5134 006AA	1	2, 6		01, 02, 06				
		1	2, 6		11, 12, 14, 15, 16				
		1	2, 6		51, 52, 54, 55, 56				
		1	3, 7		02, 06				
		1	3, 7		12, 15, 16				
4									COVER, Hinge
	5134 007AA	1	2, 6		01, 02, 06				
		1	2, 6		11, 12, 14, 15, 16				
		1	2, 6		51, 52, 54, 55, 56				

Refer to Model Legend Information Bookmark

AR = Use as required - = Non illustrated part # = New this model year

March 3, 2006

CLICK HERE TO **DOWNLOAD** THE COMPLETE MANUAL

- Thank you very much for reading the preview of the manual.
- You can download the complete manual from: [www.heydownloads.com](http://www.heydownloads.com) by clicking the link below



- Please note: If there is no response to CLICKING the link, please download this PDF first and then click on it.

CLICK HERE TO **DOWNLOAD** THE COMPLETE MANUAL