

Part List

- **LT330HST**
- **LT360HST**

CLICK HERE TO **DOWNLOAD** THE COMPLETE MANUAL

- Thank you very much for reading the preview of the manual.
- You can download the complete manual from: www.heydownloads.com by clicking the link below



- Please note: If there is no response to CLICKING the link, please download this PDF first and then click on it.

CLICK HERE TO **DOWNLOAD** THE COMPLETE MANUAL

MUFFLER(150)

FIG. 2-3

KEY NO.	PART NO.	PART NAME & DESCRIPTION		MODEL & QTY		APPLI. NO.	REMARK
				330HT	360HT		
1	A1151101	GASKET, MUFFLER		*	1		
	A1151125	GASKET, MUFFLER		1	*		
2	A1151140	MUFFLER		*	1		
	A1151124	MUFFLER		1	*		
3	S345090013	NUT, HEX. FLANGE	M8x1.25	4	4		
4	A1151103	COVER, MUFFLER		*	1		
5	S159061233	BOLT, HEX. W/WASHER	M6x1.0x12L	*	4		
6	S139082523	BOLT, STUD	M8x1.25	4	*		

AIR CLEANER(190)

FIG. 2-5

KEY NO.	PART NO.	PART NAME & DESCRIPTION		MODEL & QTY		APPLI. NO.	REMARK
				330HT	360HT		
1-3	A1190110	AIR CLEANER ASSY		1	1		
1	A1190117	BODY ASSEMBLY		1	1		
2	A1190111	FILTER CARTRIDGE, PRIM.		1	1		
3	A1190112	FILTER CARTRIDGE, SAFE.		1	1		
4	A1190113	BAND, AIR CLEANER		1	1		
5	A1190146	SUPPORT, AIR CLEANER		1	1		
6	A1190151	HOSE B, AIR INTAKE		1	1		
7	A1970201H	CLAMP, HOSE		2	3		
8	A1830261	DAMPER		2	2		
9	A0690127	SPRING		2	2		
10	S443120013	PIN, SNAP		2	2		
11	S155082033	BOLT, HEX. W/WASHER		2	2		M8x1.25x20L
12	S154103533	BOLT, HEX.		2	2		M10x1.25x35L
13	A1970201K	CLAMP, HOSE		2	1		
14	A1190154	JOINT B, HOSE		*	1		
15	A1190152	JOINT A, HOSE		1	*		
	A1190153	HOSE C, AIR INTAKE		*	1		
	A1190150	HOSE A, AIR INTAKE		1	*		

TRANSMISSION CASE(250,280)

FIG. 3-2 EX

KEY NO.	PART NO.	PART NAME & DESCRIPTION	MODEL & QTY.		APPLI. NO.	REMARK
			330HT	360HT		
1	A1280213	HOUSING, HST	1	1		
2	A1280156	CASE, CENTER	1	1		
3	A1280211	CASE, AXLE	1	1		
4	A1280160	COVER, AXLE CASE	1	1		
5	S154102533	BOLT, HEX M10x1.25x25L	8	8		
6	A1280161	GAUGE, OIL LEVEL	1	1		
7	A1280245	SHIELD, PTO	1	1		
8	S156102033	BOLT, HEX M10x1.25x20L	4	4		
9	3A1970068	PLUG	8	8		
10	S423102010	PIN, DOWEL D10x20L	6	6		
11	A10263360	SEAL φ20xφ26x1.0t	3	3		
12	3A1250013	PLUG, MAGNET	2	2		
13	A0610281	PLUG, DRAIN	1	1		
14	S105123043	BOLT, HEX M12x1.75x30L	3	*		
15	S105128543	BOLT, HEX M12x1.75x85L	2	2		
16	S423102010	PIN, DOWEL φ10x20L	4	4		
17	S361120013	WASHER, SPRING φ12.2xφ21.5x3.0t	26	25		
18	S105123543	BOLT, HEX M12x1.75x35L	23	23		
19	A0640103	CLAMP, RING	2	2		
20	A0641020	CLAMP, RING	2	2		

SUB TRANSFER SHAFT (285)

FIG. 3-5

KEY NO.	PART NO.	PART NAME & DESCRIPTION		MODEL & QTY		APPLI. NO.	REMARK
				330HT	360HT		
1	S811062001	RING, SNAP	φ62x2t	2	2		
2	A0863050	BEARING, BALL	#6305	2	2		
3	A1285203	SHAFT, SUB DRIVE		1	1		
4-6	A1285211	COUPLING ASSY		1	1		
4	A1285212	COUPLING	φ68x2.5t	1	1		
5	S446053610	PIN, SPRING	φ5.4x36L	1	1		
6	S446033210	PIN, SPRING	φ3.3x32L	1	1		
7	S811072001	RING, SNAP	φ72x2.5t	2	2		
8	A0862070	BEARING, BALL	#6207	1	1		
9	A1285200	SHAFT, RANGE 1ST		1	1		
10	A1970274	BEARING, NEEDLE	φ20xφ26x20L	1	1		
11	A0860080	BEARING, BALL	#6008	1	1		
12	S811063001	RING, SNAP	φ68x2.5t	1	1		
13	S810025001	RING, SNAP	φ25x1.5t	1	1		
14	A1285213	SPACER, RANGE		1	1		
15	A1285209	SLEEVE, RANGE H		1	1		
16	A1285208	SPACER, SPLINE		1	1		
17	A1285210	SLEEVE, GEAR		1	1		
18	A1285204	GEAR, RANGE DRVN 39T		1	1		
19	A1285206	HUB, RANGE L/M		1	1		
20	A1285202	SLEEVE, RANGE L/M		1	1		
21	A1281303	SLEEVE, F,R		1	1		
22	3A1970157	BEARING, NEEDLE	φ40xφ45x27L	1	1		
23	A1285205	GEAR, RANGE DRVN 47T		1	1		
24	A1298098	GEAR, 4WD. DRV 44T		1	1		
25	A1287079	NUT, LOCK	M35x1.5	1	1		
26	A1326032	BEARING, TAPER	#32207C	2	2		
27	S810035001	RING, SNAP	φ35x1.5t	1	1		
28	A1285201	GEAR, RANGE DRV. 30T		1	1		
29	A0870451	SHIM	φ36xφ46x0.15t	AR	AR		
30	A0870452	SHIM	φ36xφ46x0.2t	AR	AR		
31	A0870455	SHIM	φ36xφ46x0.5t	AR	AR		
32	A0870458	SHIM	φ36xφ46x1.0t	AR	AR		
33	A1285214	SHIM, RANGE	φ25xφ35x0.15t	AR	AR		
34	A1285235	SHIM, RANGE	φ25xφ35x0.6t	AR	AR		

SHIFT LEVER & FORK(291,293)

FIG. 3-8

KEY NO.	PART NO.	PART NAME & DESCRIPTION	MODEL & QTY		APPLI. NO.	REMARK
			330HT	360HT		
1	A1291234	RAIL, 4WD	1	1		
2	A1291231	FORK, 4WD	1	1		
3	3A1290011	SPRING	2	2		
4	A20063390	BALL, SHIFTER FORK	(11/32)	2	2	
5	A1291233	RAIL, RANGE	1	1		
6	A1291229	FORK, RANGE GEAR(H)	1	1		
7	S446062512	PIN, SPRING	$\phi 6 \times 25$	2	2	
8	A1291230	FORK, RANGE GEAR(M,L)	1	1		
9	A1291237	LEVER, 4WD	1	1		
10	A1291236	LEVER, RANGE	1	1		
11	S801016010	O-RING	$\phi 16 \times W2.4$	4	4	
12	A1293151	HAND LEVER, 4WD	1	1		
13	S446063512	PIN, SPRING	$\phi 6 \times 35$	2	2	
14	A1293150	HAND LEVER, RANGE	1	1		
15	S314100013	NUT	M10x1.25	2	2	
16	A1970300	GRIP	2	2		
17	A1291195	BOLT, SELF LOCK	1	1		
18	A1291145	BOLT, RAIL	M12x1.75x23L	1	1	
19	S801010A10	O-RING	$\phi 9.8 \times W2.4$	2	2	

DIFF- LOCK(310)

FIG. 4-1

KEY NO.	PART NO.	PART NAME & DESCRIPTION		MODEL & QTY		APPLI. NO.	REMARK
				330HT	360HT		
1	A1326050	PLATE, LOCK		2	2		
2	3A1326005	GRAND NUT	M85x1.5	2	2		
3	A1326066	SPACER	φ77xφ89.1x8t	1	1		
4	A1326048	SUPPORT, DIFF		2	2		
5	A1650074	HOLDER, SPRING(LH)		2	2		
6	A1326065	SPACER	φ77xφ89.1x141t	1	1		
7	A0862100	BEARING, BALL	#6210	1	1		
8	A1326064	SPACER, DIFF.		1	1		
9	S446054012	PIN, SPRING	φ5x40	1	1		
10	A1326063	FORK, DIFF		1	1		
11	S446064012	PIN, SPRING	φ8x40	1	1		
12	A1326047	SPRING		1	1		
13	S801016010	O-RING(G)	φ16xW2.4	1	1		
14	A1326062	PEDAL, DIFF		1	1		
15	S801021010	O-RING(G)	φ21xW2.4	1	1		
16	A1326046	SCREW, ADJUST	M22x1.5	1	1		
17	S165102543	BOLT, HEX	M10x1.25x25L	6	6		
18	A26799960	BEARING, TAPER ROLLER	#30210	1	1		

FRONT & REAR WHEEL(490)

FIG. 4-4

KEY NO.	PART NO.	PART NAME & DESCRIPTION		MODEL & QTY		APPLI. NO.	REMARK
				330HT	360HT		
1	A1490186	DISK REAR		2	2		
2	A1490187	DISK FRONT		2	2		
3	S103163043	BOLT, HEX.	M16x1.5x30L	16	16		
4	S167162523	BOLT, STUD	M16x1.5x25L	8	8		
5	S302160043	NUT, HEX. 1-TY.	M16x1.5	8	8		
6	S361160013	WASHER, SPR. 1-TY.	D28/16.2x4T	24	24		

PARKING BRAKE LEVER(670)

FIG. 4-7

KEY NO.	PART NO.	PART NAME & DESCRIPTION		MODEL & QTY		APPLI. NO.	REMARK
				330HT	360HT		
1	A1670241	BRACKET		1	1		
2	S156102533	BOLT, HEX. W/WASHER	M10x1.25x25L	1	1		
3	A1670239	RATCHET, PARKING		1	1		
4	A1970241	GRIP		1	1		
5	S156103533	BOLT, HEX. W/WASHER	M10x1.25x35L	1	1		
6	A0691095	SPRING		1	1		

FRONT DIFFERENTIAL (400)

FIG. 5-3

KEY NO.	PART NO.	PART NAME & DESCRIPTION		MODEL & QTY		APPLI. NO.	REMARK
				330HT	360HT		
1-11	2A1415001	DIFF, GEAR ASSY		1	1		
1	A1400172	PINION & RING GEAR SET	6T/37T	1	1		
2	1A1414001	CASE, DIFF		1	1		
3	3A1415004	SHAFT		1	1		
4	A1324060	PINION, MATE	10T	2	2		
5	3A1970123	WASHER, THRUST	0.8t	2	2		
6	3A1970122	WASHER, THRUST	0.8t	2	2		
7	A1324062	GEAR, SIDE	16t	2	2		
8	3A1970033	BEARING, BALL	#6210	2	2		
9	A1410041	PLATE, LOCK		4	4		
10	S165102043	BOLT, HEX.F-THUD	M10×1.25×20L	8	8		
11	S446065012	PIN, SPRING	Φ6×50	1	1		
12	3A1970119	SHIM	0.07t	AR	AR		
	3A1970120	SHIM	0.2t	AR	AR		
	3A1970121	SHIM	1.0t	AR	AR		

CLICK HERE TO **DOWNLOAD** THE COMPLETE MANUAL

- Thank you very much for reading the preview of the manual.
- You can download the complete manual from: www.heydownloads.com by clicking the link below



- Please note: If there is no response to CLICKING the link, please download this PDF first and then click on it.

CLICK HERE TO **DOWNLOAD** THE COMPLETE MANUAL

FRONT AXLE CASE(400)

FIG. 5-5

KEY NO.	PART NO.	PART NAME & DESCRIPTION		MODEL & QTY		APPLI. NO.	REMARK
				330HT	360HT		
1	S101144043	BOLT, HEX	M14×2.0×40L	4	4		
2	S361140013	WASHER, SPRING	φ14.2×φ24.5×3.5t	5	5		
3	S802090010	O-RING	φ89.4×3.1	1	1		
4	A1400162	CASE, KINGPIN		1	1		
5-6	A1400167	GROUP SEAL		1	1		
5	A1400158	SEAL, O-RING	φ84×6.5	2	2		
6	A1400157	RETAINER, GROUP SEAL		2	2		
7	A1970267	BEARING, TAPER	#32012XJ	1	1		
8	S163123543	BOLT, HEX . F-THRD	M12×1.75×35L	1	1		
9	S301120043	NUT, HEX .1-TY	M12×1.75	2	2		
10	S101125543	BOLT, HEX	M12×1.75×55L	1	1		
11	3A1970052	PLUG, TAPER	PT 3/8"	2	2		
12	A1970268	BEARING, TAPER	#30210J	1	1		
13	A1400128	NUT, LOCK	M50×1.5	1	1		
14	S101123043	BOLT, HEX	M12×1.75×30L	4	4		
15	S361120013	WASHER, SPRING	φ12.2×φ21.5×3t	4	4		
16	A1400117	ARM (L)		1	1		
17	A1400156	CASE, GEAR (L)		1	1		
18	3A1970056	O-RING	φ231×3	1	1		
19	A1402067	COVER, GEAR CASE		1	1		
20	S361100013	WASHER, SPRING	φ10.2×φ18.4×2.5t	1	1		
21	3A1970055	BOLT, REAMER	M10×1.25	1	1		
22	S154103033	BOLT, HEX . W / WASHER	M10×1.25×30L	7	7		
23	A1970307	BOLT, REAMER	M14×2.0×50L	1	1		

STEERING CYLINDER(630)

FIG. 6-2

AG, VA, TF

KEY NO.	PART NO.	PART NAME & DESCRIPTION		MODEL & QTY		APPLI. NO.	REMARK
				330HT	360HT		
1	A1630245	HOSE, STR CYLINDER	410L	2	2		
2	S154102033	BOLT, HEX	M10×1.25×20L	2	2		
3	A1630327	PIN, CYLINDER		2	2		
4	A1630293	STR. CYLINDER ASSY	293-446	1	1		
5	A1630135	SPACER	φ20×5L	2	2		

STEERING PIPE(630)

FIG. 6-5B

AG, VA, TF

KEY NO.	PART NO.	PART NAME & DESCRIPTION		MODEL & QTY		APPLI. NO.	REMARK
				330HT	360HT		
1	S313080013	NUT, HEX	M8×1.25	*	2		
2	S361080013	WASHER, SPRING	φ8.2×φ15.4×2.0t	*	2		
3	A1630562	PUMP, STEERING	7cc/rev	*	1		
4	A1630547	GASKET, PUMP	0.6t	*	1		
5	S155062033	BOLT, HEX	M8×1.25×20L	1	1		
6	S153063533	BOLT, HEX	M6×1.0×35L	*	3		
7	S801018010	O-RING	φ17.8×2.4	*	1		
8,15	A1630587	PIPE, P/S PRESSURE SUB	φ12	*	1		
8	A1630588	PIPE, P/S PRESSURE	φ12	*	1		
9,15	A1CMS003	P/S PIPE ASSY(RH)	φ12	1	1		
9	A1630242	PIPE, P/S RH	φ12	1	1		
10,15	A1CMS002	P/S PIPE ASSY(LH)	φ12	1	1		
10	A1630243	PIPE, P/S LH	φ12	1	1		
11	A1630498	JOINT, BITE TYPE	PF 3/8	1	1		
12	A1640017	HOSE, P/S DRAIN	M18x1.5	1	1		
13	A1630499	TEE, UNION		1	1		
14	S153102033	BOLT, HEX	M10x1.25x20L	1	1		
15	A1630144	JOINT	BOM12-03G	3	3		
16	A1630432	PIPE, BYPASS	φ12	1	1		
17	A1630454	BRACKET, CLAMP		1	1		
18	A1630238	CLAMP		1	1		
19	A1630239	RUBBER, CLAMP		1	1		
20	A1640007	JOINT		1	1		
21	A1630169	SLEEVE		2	2		
22	A1630170	NUT, HEX		2	2		
15, 23, 24	A1630460	PIPE, P/S PRESSURE SUB		1	*		
23	A1630101	ELBOW	BOLM12-03G	1	*		
24	A1630429	PIPE, P/S PRESSURE	φ12	1	*		
25-27	A1630338	CLAMP ASSY, STR. PIPE		1	1		
25	A1630339	CLAMP A, STR. PIPE		1	1		
26	A1630340	CLAMP B, STR. PIPE		1	1		
27	S155062533	BOLT, HEX. W/WASHER		1	1		
28	A1630166	RUBBER		1	1		

ELECTRICAL WIRING(730)

FIG. 7-1

KEY NO.	PART NO.	PART NAME & DESCRIPTION	MODEL & QTY		APPLI. NO.	REMARK
			330HT	360HT		
1	A1730152	HARNESS, FRONT LIGHT	1	1		
2	A1730108	HARNESS, FRONT SENSOR	*	1		
3	A1730111	HARNESS, ENGINE UNIT	*	1		
	A1730180	HARNESS, ENGINE UNIT	1	*		
4	A1730181	HARNESS, PANEL	1	1		
5	A1750242	RELAY, MICRO	8	8		
6	S157051633	BOLT, HEX W/WASHER	4	4		
7	S309050013	NUT, HEX	4	4		
8	A1730183	HARNESS, REAR(LH)	1	1		
9	A1730182	HARNESS, MIDDLE	1	1		
10	S159062033	BOLT, HEX W/WASHER	M6x1.0x20L	3	3	
11	A0640028	TIE		14	14	
12	A0640009	TIE		15	15	

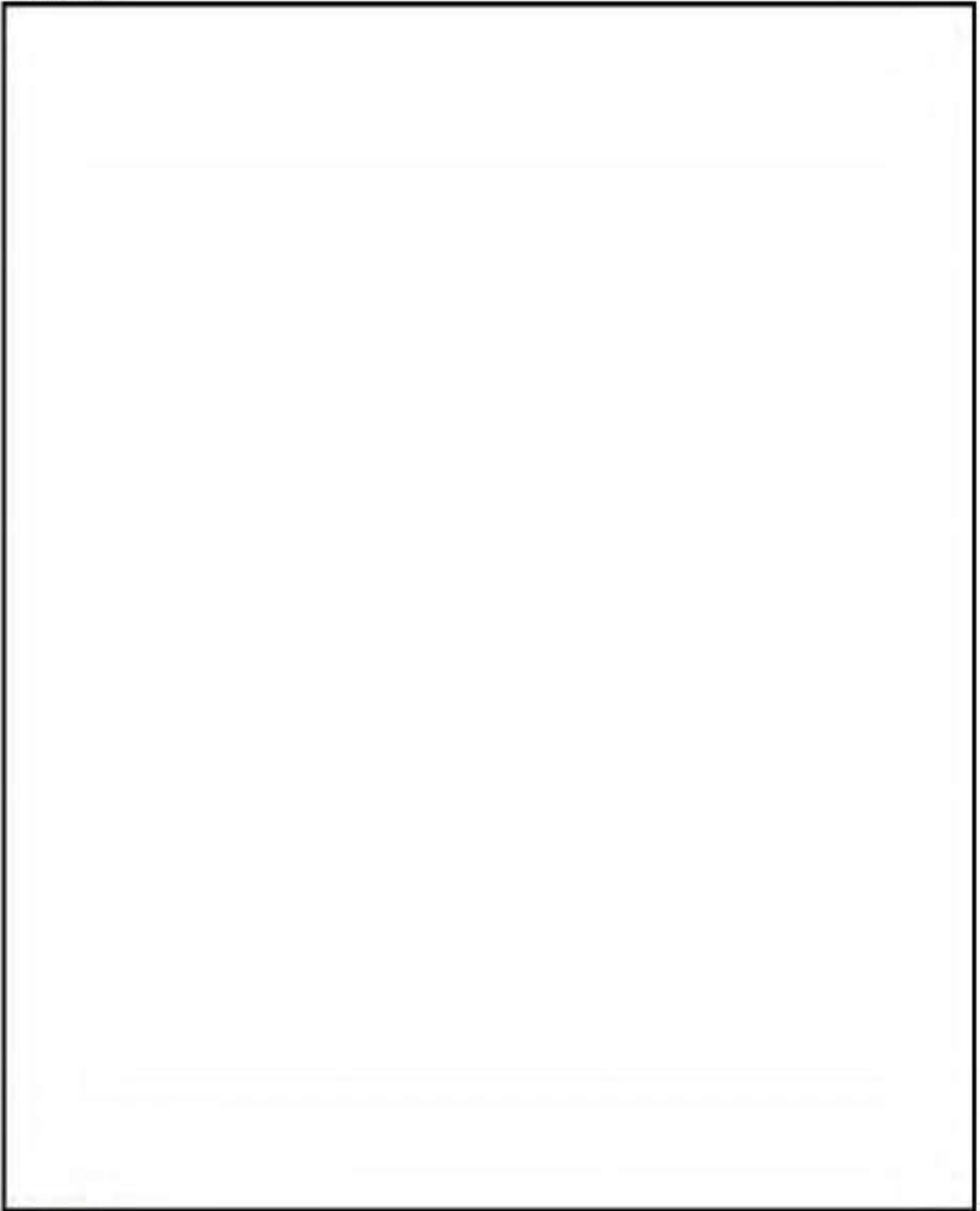
INSTRUMENT PANEL(750)

FIG. 7-3

KEY NO.	PART NO.	PART NAME & DESCRIPTION		MODEL & QTY		APPLI. NO.	REMARK
				330HT	360HT		
37	A1750230	CAP, RUBBER		1	1		
38	S224402511	SCREW	M4X0.7X25L	2	2		
39	A1750153	COVER, COMB. SWITCH		1	1		
40	A1750226	BRACKET, RELAY		1	1		
41	S345060013	NUT, FLANGE B-TY		2	2		
42	A1750243	TIMER, ENGINE STOP		1	*		
43	S227402511	SCREW		4	4		

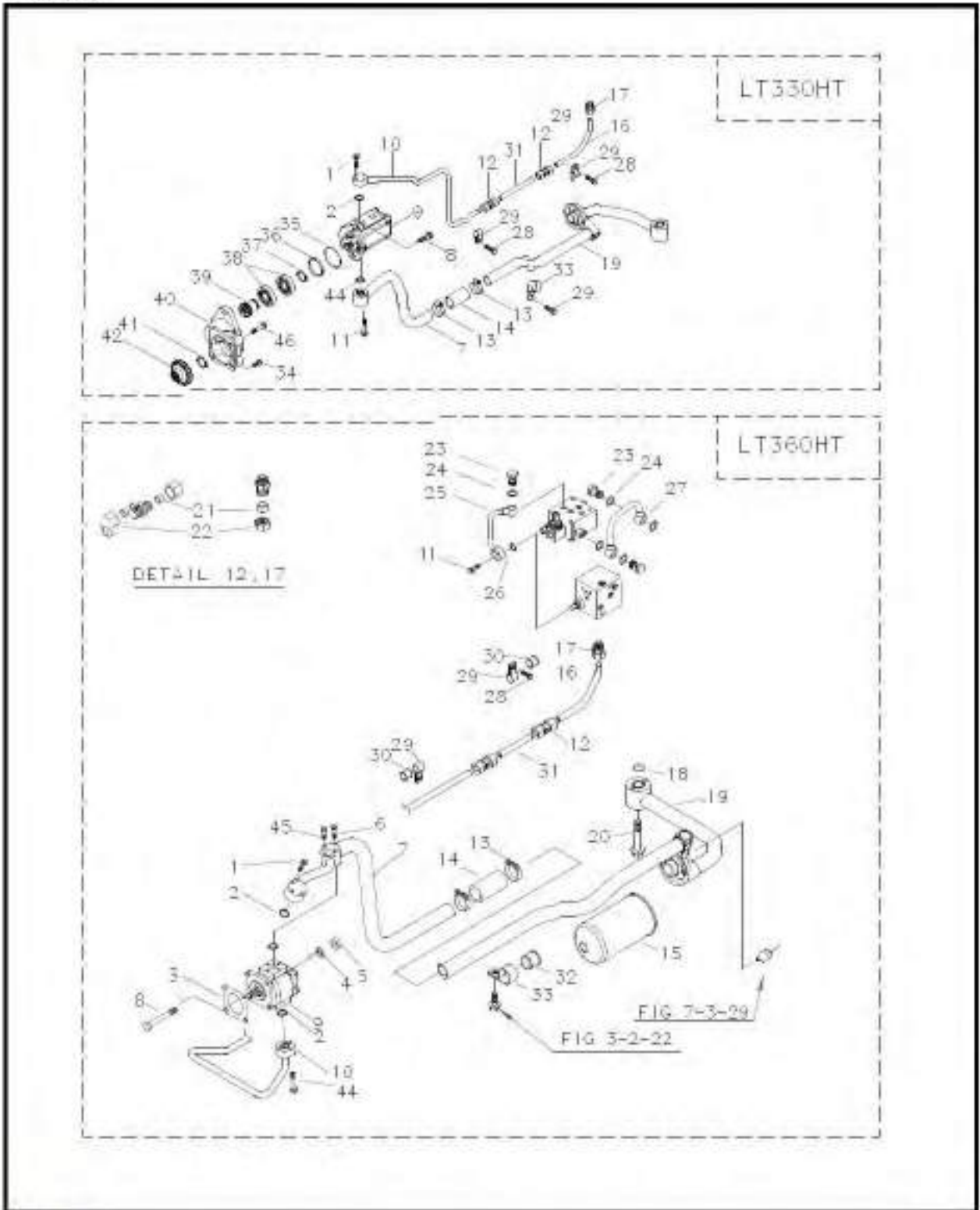
CONTROL VALVE & LINK(822)

FIG. 8-3



HYDRAULIC PIPE(823)

FIG. 8-5



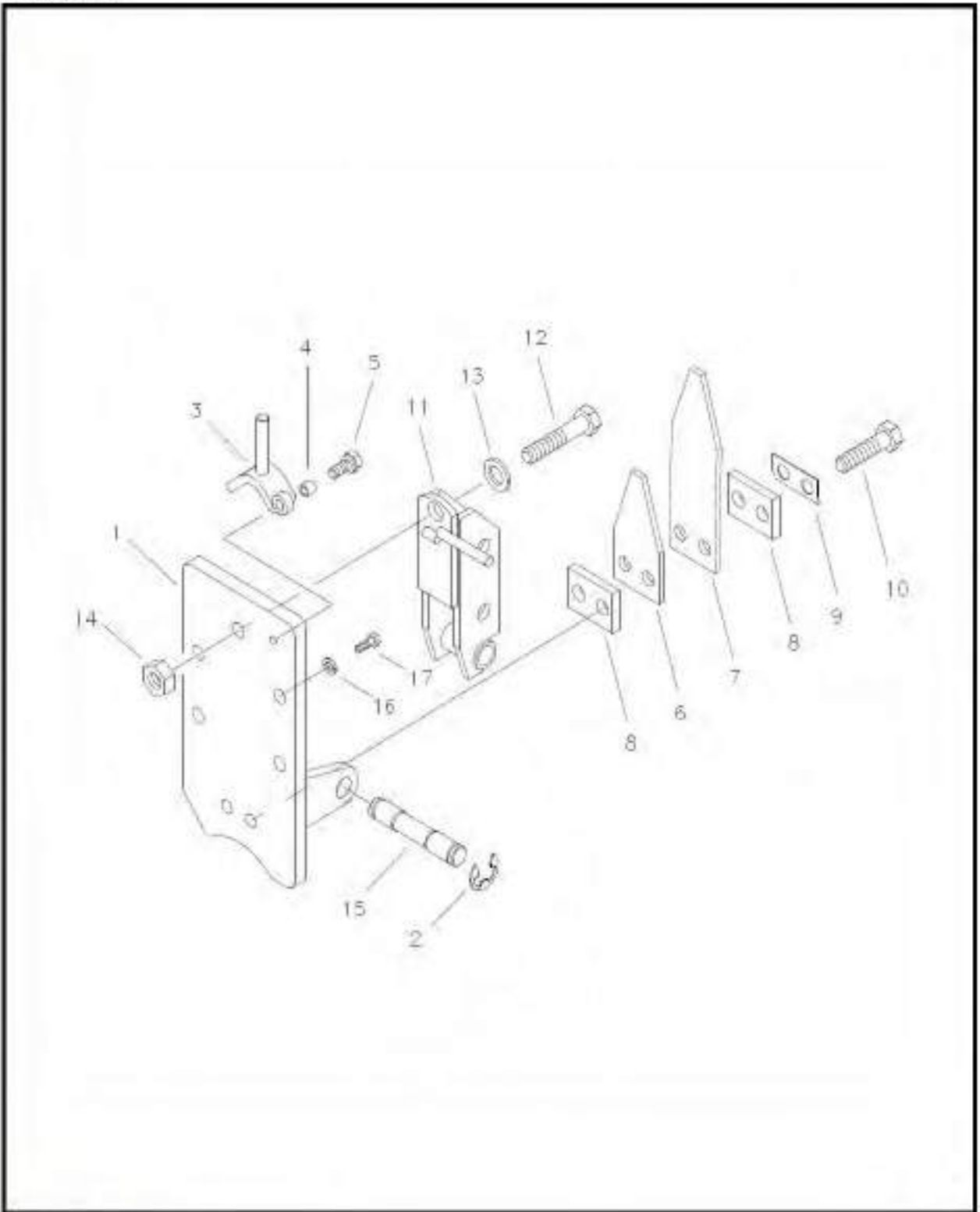
HYDRAULIC LEVER GROUP(825)

FIG. 8-7

KEY NO.	PART NO.	PART NAME & DESCRIPTION		MODEL & QTY		APPLI. NO.	REMARK
				330HT	360HT		
1	A1825033	COVER		1	1		
2	S361100013	WASHER, SPRING	φ10.2×φ18.4×2.5t	4	4		
3	A1825085	SUPPORT, LEVER		2	2		
4	A1825023	PLATE, FRICTION(L)	φ21×2t	1	1		
5	A1825059	LEVER, DRAFT CONTROL		1	1		
6	S155082033	BOLT, HEX	M8×1.25×20L	4	4		
7	A1970241	GRIP, HANDLE		2	2		
8	A1825024	PLATE, FRICTION(S)	φ13×2t	3	3		
9	A1825053	PLATE, LOCKING		2	2		
10	A1825058	LEVER, POSITION		1	1		
11	A1825061	EXTENTION, LEVER		1	1		
12	S810012001	RING, SNAP	φ12	1	1		
13	A1825088	SPRING		1	1		
14	A1825034	COVER		1	1		
15	S302100043	NUT, HEX	M10×1.25	2	2		
16	A1825060	EXTENTION, LEVER		1	1		
17	S814006003	RING, SNAP		4	4		
18	S305080043	NUT, HEX		4	4		
19	A1825057	STOP, PLATE		4	4		
20	S163085043	BOLT, HEX		2	2		
21	S313080013	NUT, HEX		2	2		
22	A1825159	GUIDE, HYD. LEVER		1	1		
23	S159081633	BOLT, HEX		3	3		
24	A1825056	KNOB		4	4		

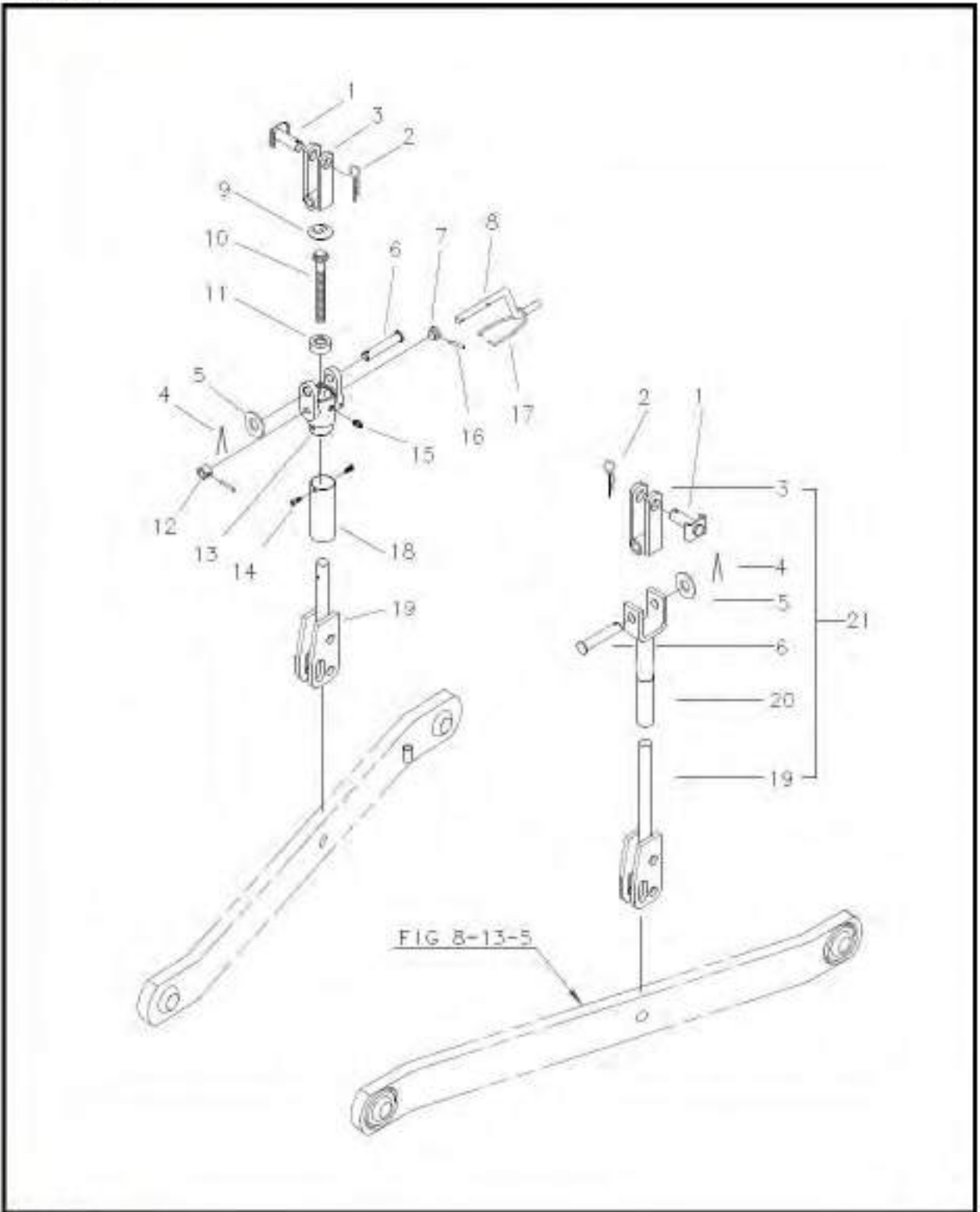
TOP LINK BRACKET (828)

FIG. 8-10



3- POINT LINKAGE- LIFT ROD(896)

FIG. 8-14



HOOD(830)

FIG. 9-1B

AG

KEY NO.	PART NO.	PART NAME & DESCRIPTION		MODEL & QTY		APPLI. NO.	REMARK
				330HT	360HT		
39	A1830421	HANGER		1	1		
40	A5002129	MARK, SYMBOL		1	1		
41	A0760137	NUT, SPEED		2	2		
42	A1970309	NUT, LOCK	M6x1.0	4	4		
43	A1970340	NUT, SPEED		16	16		
44	A0640103	CLAMP, RING		1	1		
45	A0640015	CLAMP, RING		3	3		

CLICK HERE TO **DOWNLOAD** THE COMPLETE MANUAL

- Thank you very much for reading the preview of the manual.
- You can download the complete manual from: www.heydownloads.com by clicking the link below



- Please note: If there is no response to CLICKING the link, please download this PDF first and then click on it.

CLICK HERE TO **DOWNLOAD** THE COMPLETE MANUAL